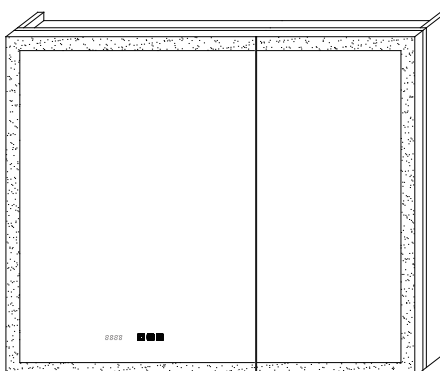
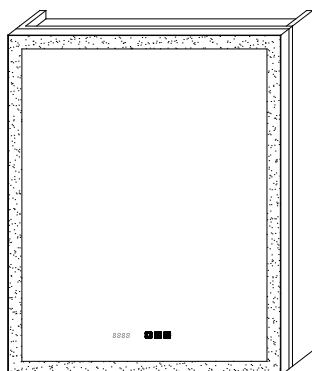


**DSMC2430-3L**  
**DSMC2430-3R**  
**DSMC3630-3**  
**DSMC4830-3**  
**DSMC6030-3**



**DSMC2430-6L**  
**DSMC2430-6R**  
**DSMC3630-6**  
**DSMC4830-6**  
**DSMC6030-6**

## Installation

This instruction sheet contains information on how to install cabinets. This series comes in various sizes. Refer to specific model numbers for dimensions. Read the specific instruction for how your cabinet will be mounted. The cabinets can be surface mounted or recess mounted. Save these instructions for future use and reference. An improper installation voids the warranty. Installed cabinets cannot be returned. Please feel free to contact.

Limited Warranty - One Year Term

## IMPORTANT SAFETY INSTRUCTIONS

When using an electrical furnishing, basic precautions should always be followed, including the following:

**DANGER:** Read all instructions before using this cabinet.

**WARNING:** To reduce the risk of burns, fire, electric shock, or injury to persons:  
Use this furnishing only for its intended use as described in these instructions.  
Do not use attachments not recommended by the manufacturer. Never drop or insert any object into any opening  
Do not use outdoors.

**WARNING:** Risk of electric shock. Connect this furnishing to a properly grounded circuit only. See Grounding instructions.

**CAUTION:** Maximum shelf load 100lbs/45.4kg

**GROUNDING INSTRUCTIONS:** This product must be connected to a grounded metal, permanent wiring system, or an equipment-grounding conductor must be run with the circuit conductors and connected to the equipment-grounding terminal or lead on the product.

**CAUTION:** An electrical option cabinet must be wired to a 20Amp GFI (Ground Fault Interrupter) circuit breaker when used in bathrooms and all other locations required by the National Electric Code.

## SAVE THESE INSTRUCTIONS

**Use Tips:** Please use in safe voltage range.(100V-120V)

**WARNING:**The installation must be performed by a qualified licensed electrician.



**Turn breaker off the electrical supply at the main circuit board before  
Note: installation and maintenance.**

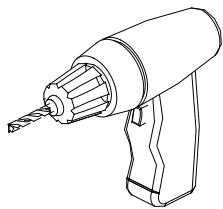
- pg [1] Installation
- [2] Safety
- [3] Model Numbers
- [4] Tools required
- [5] Parts supplied
- [6-8] Surface Installation
- [9-10] Embedded Installation Instruction
- [11] Cabinet Door Installation
- [12] Buttons Function Explanation

## Model Numbers

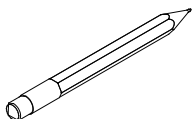
Use the chart below to learn how to build an DS Cabinet Model number. This chart references the model number for a 36" W x 30" H x4" D DS cabinet. Consult the DS Price Book for a complete list of model numbers. The model number is located on the back of your cabinet.

Model Numbers		DS	MC	36	30	3	L
Product	DS						
Category	MC= Medicine Cabinet						
Width	24" / 610mm 36" / 915mm 48" / 1219mm 60" / 1522mm						
Height	30" / 760mm						
Serial	3 = The front glows 6 = The edges glow						
Door Style	L = Left R = Right Blank multi-door						

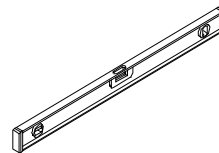
**Drill**



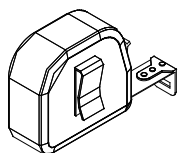
**Pencil**



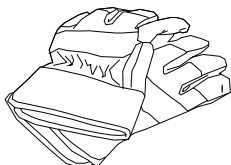
**Level**



**Tape**



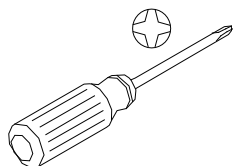
**Gloves**



**Safety Goggles**



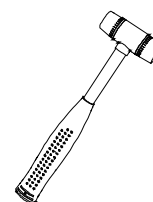
**Phillip  
Screw Driver**



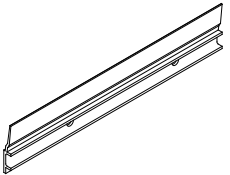
**Drill Bit  
8mm(5/16")**



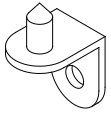
**Hammer**



**Z-Mounting Bar** x1



**Support Bracket** x1

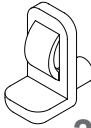


**Hinge Covers**



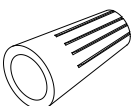
2430 x 3  
3630 x 5  
4830 x 6  
6030 x 6

**Spare Support**

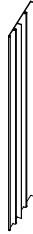


2430 x 4  
3630 x 4  
4830 x 8  
6030 x 12

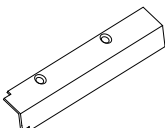
**Wire Cap** x3




**Side Panel** x2




**Side Panel Covers** x4



**Side Panel Cover Screws** x10

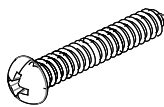


**Anchors**



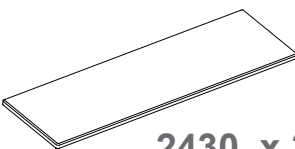
2430 x 7  
3630 x 8  
4830 x 10  
6030 x 12

**Anchor Screws**



2430 x 7  
3630 x 8  
4830 x 10  
6030 x 12

**Shelves**



2430 x 3  
3630 x 3  
4830 x 6  
6030 x 9

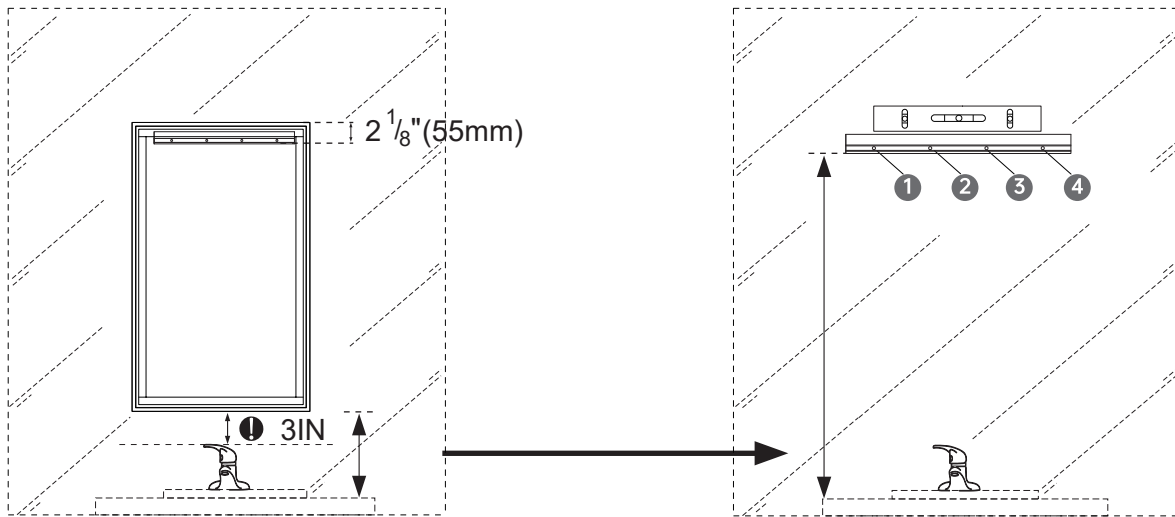


The medicine cabinet supports two installation methods:

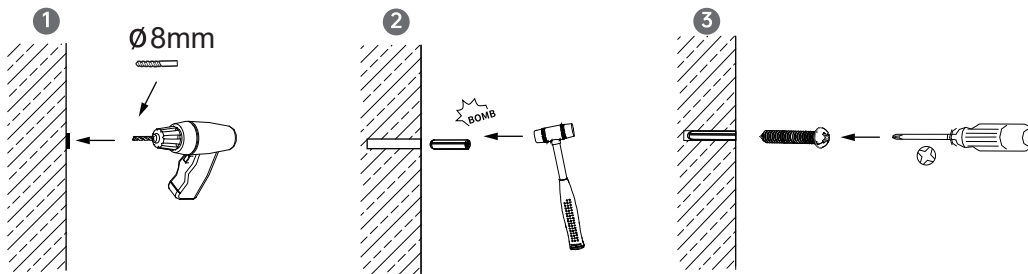
1.Surface Installation and 2.Embedded Installation.

Please choose the installation way as needed.

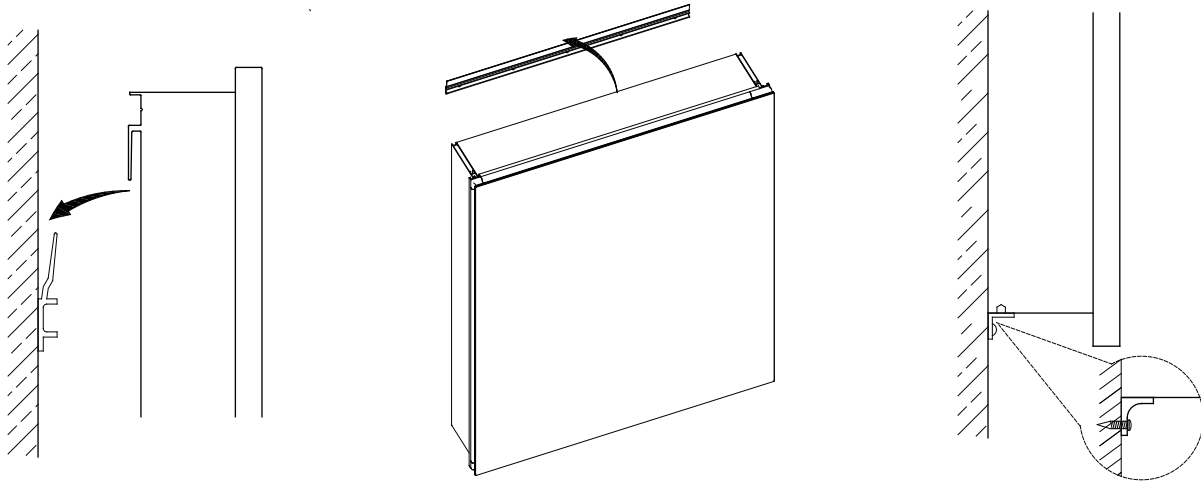
1. - The distance between the bottom of bracket to the top of the mirror is 2-1/3"inch(60mm).  
- The recommended installation safety distance is 3 inch(at least) from the faucet.



- 1.1 -Use a 5/16" (mm) drill to drill holes at the marked points to a depth of 13/4" (45mm), then apply the wall anchors with a hammer. Mount the lower bracket to the wall with screws.

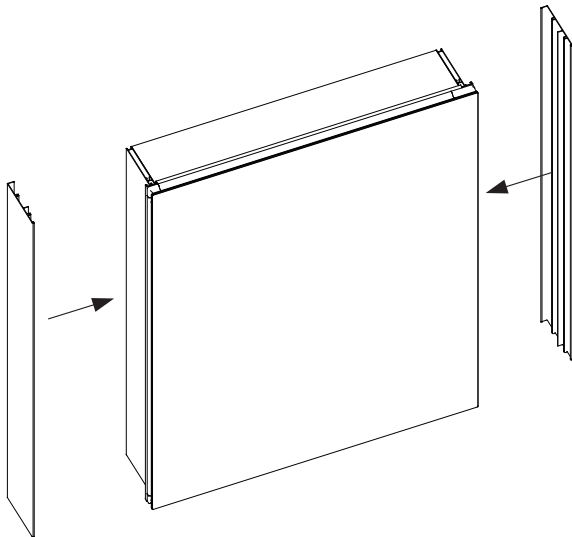


- 1.2** Lift the medicine cabinet and place it securely in the upper bracket.  
Holding the cabinet in an upright position, secure the lower bracket in the grooves on the bottom of the cabinet.

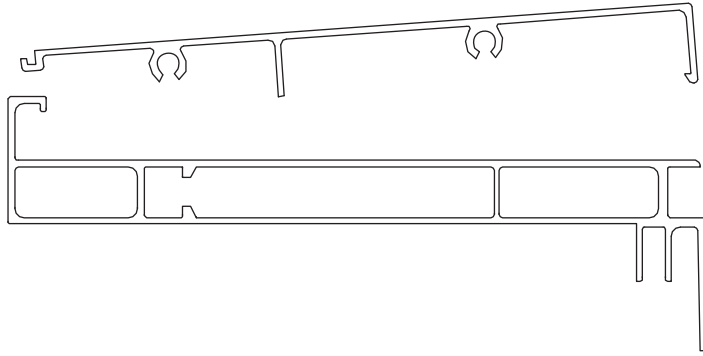


**Note: Gently shake the mirror to ensure that the mirror is securely installed.**

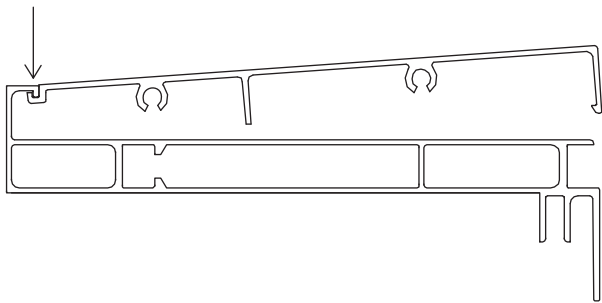
- 1.3** Install side Panels



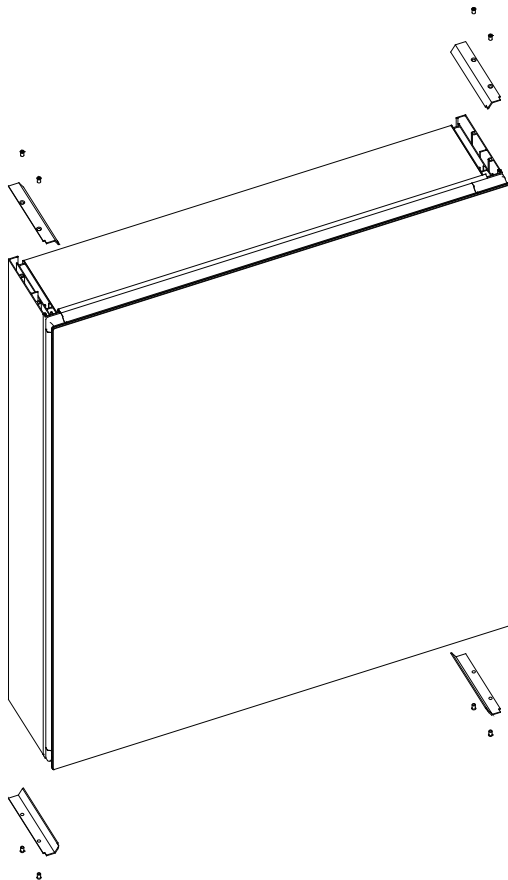
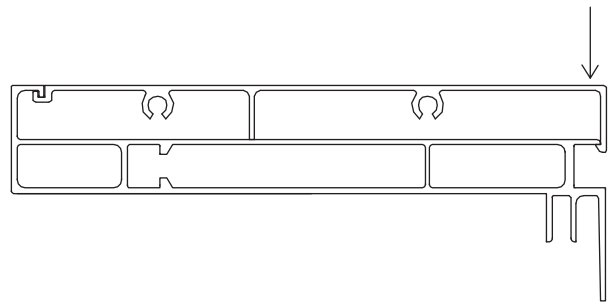
**Note: No need to install side panels if recessed.**



Align the slots inside of the board and cabinet.

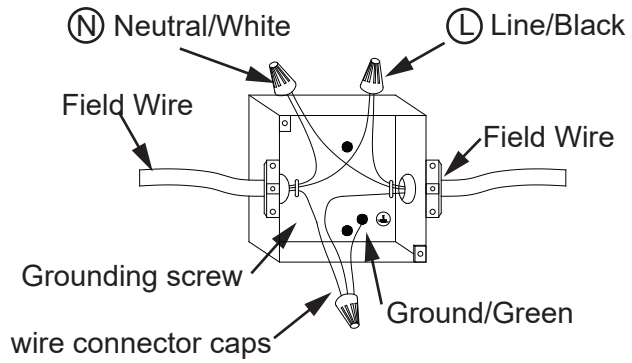


Press down the board until they are clamped together.



## Connect the wires

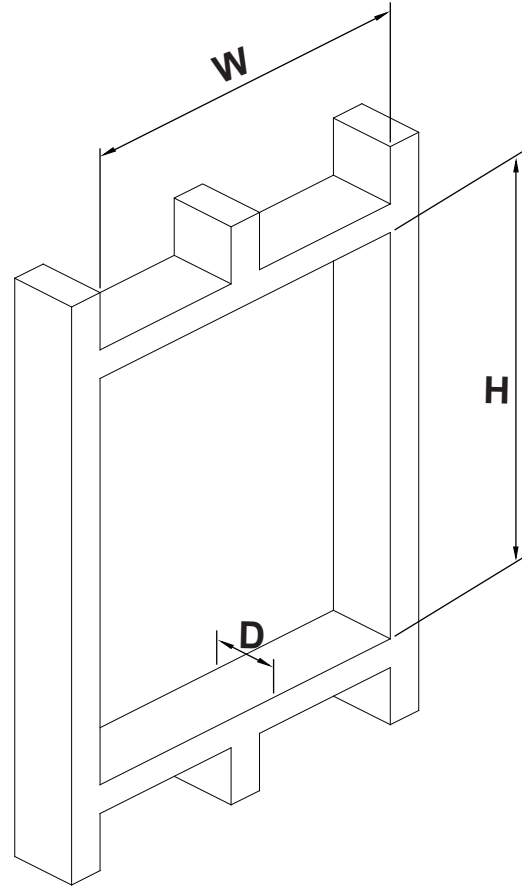
BLACK WIRE----POWER SUPPLY L(LINE)  
WHITE WIRE----POWER SUPPLY N(NEUTRAL)  
GREEN WIRE----POWER SUPPLY G(GROUND)



## Embedded Installation Instruction

2. - The wall space is set aside in advance based on the size of the recessed led medicine cabinet

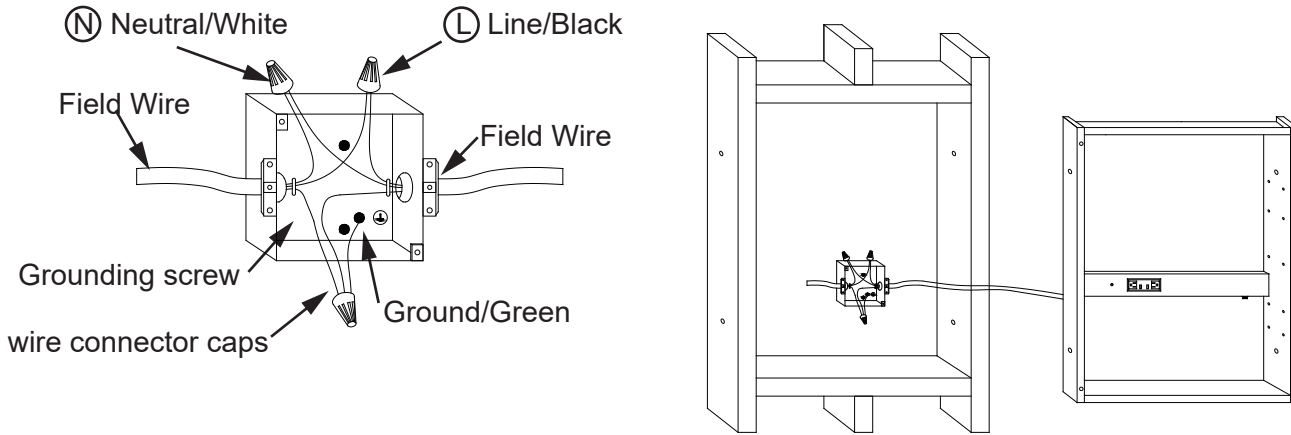
Before installing, it is necessary to determine the opening size, which can be referred to in the table below.



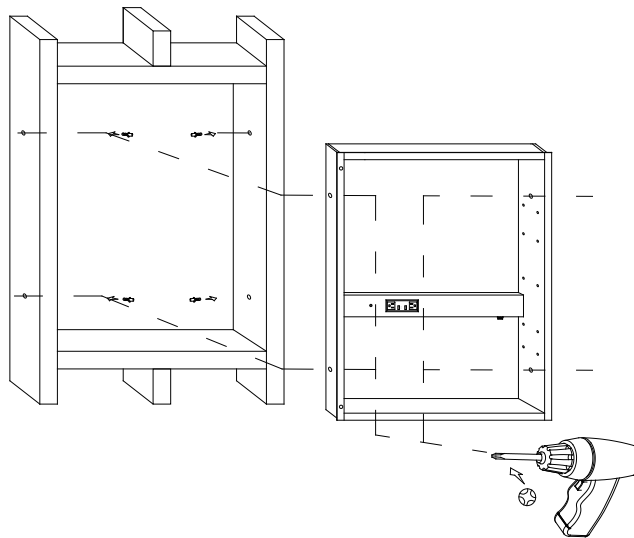
Actual cabinet		Wall opening dimensions for embedded installation all in Inches.		
No.	Dimensions	W (Width)	H (Height)	D (Depth)
1	24" x 30"	23-1/4	29-1/4	4-3/8
2	36" x 30"	35-1/4	29-1/4	4-3/8
3	48" x 30"	47-1/4	29-1/4	4-3/8
4	60" x 30"	59-1/4	29-1/4	4-3/8

## 2.1 Connect the wires

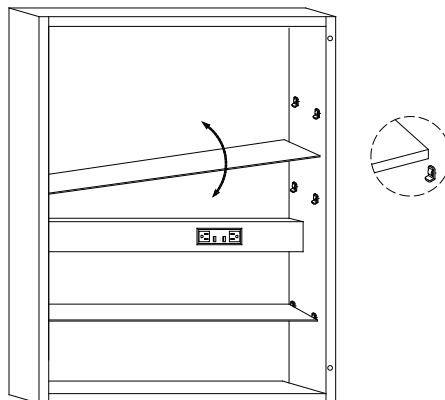
BLACK WIRE----POWER SUPPLY L(LINE)  
WHITE WIRE----POWER SUPPLY N(NEUTRAL)  
GREEN WIRE----POWER SUPPLY G(GROUND)



## 2.2 Install the recessed led medicine cabinet.

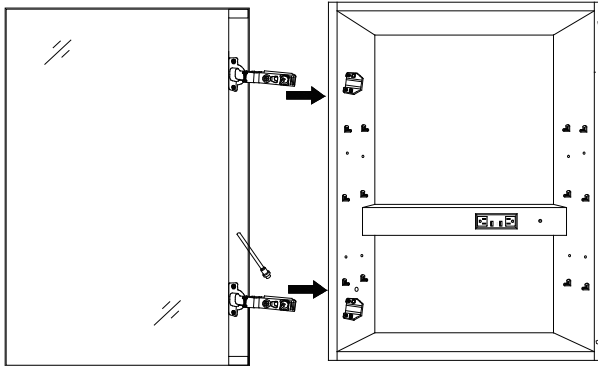


## 2.3 Insert the tempered glass shelves.

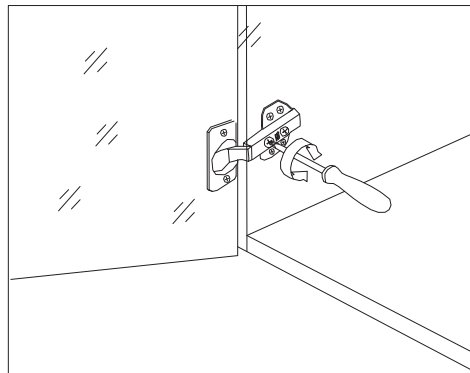
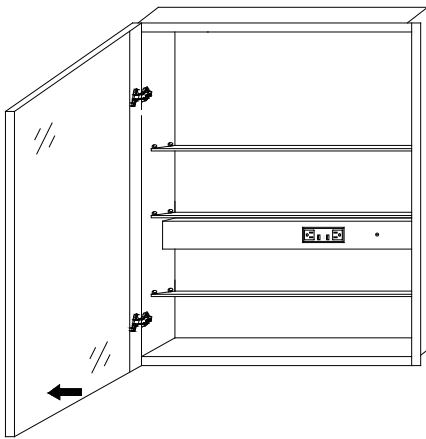


## 3. Cabinet Door Installation

**3.1** Insert the hinges to the base, then connect the doors with the cabinet.



**3.2** If necessary, adjust corresponding screws on the hinge to align the doors, ensure that gaps are even and the doors open and close smoothly.

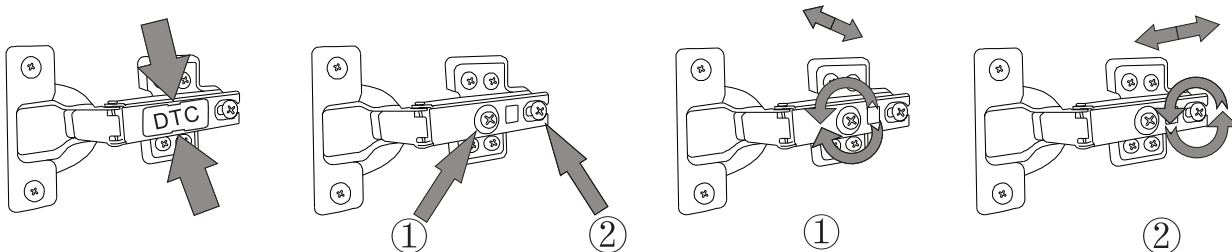


## 4. HYDRAULIC HINGE ADJUSTMENT METHOD

Open the "DTC" cover in the direction of the arrow.

① : Adjust the door counterclockwise to move to the right, Turn clockwise to adjust the door to move to the left.

② : Twist counterclockwise to loosen it, You can adjust the front and rear direction of the door. Tighten clockwise after adjustment.



Since this product has multiple DTC hinges in the cabinet, if you need to adjust the relative position of the cabinet door up and down, left and right,

**Note:** please adjust the hinges for better use of this product.

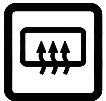
## Time/Temperature Screen



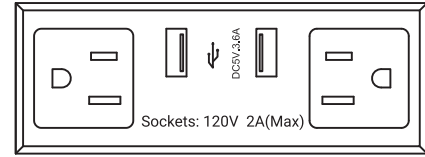
**Color temperature touch**



**Light touch**



**Anti-fog touch**



**Note:**

Sockets:120Vac, 2A(Max), 240W;  
Usb: 5Vac, 3.6A(Max), 18W;  
Not suitable for high power appliances.

### Left button: Color temperature adjustment.



There are 3 C. T. to select, make a short press to switch them. White light(6000K) - Natural light(4000K) - Yellow light(3000K). Press and hold the touch to make the color temperature stepless adjustment(6000K to 3000K).  
Memory function: The color temperature will keep the last choice.

### Middle button: Light Brightness adjustment.



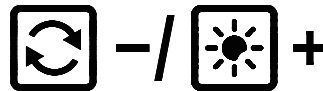
Press and hold the button to make the brightness stepless adjustment(100% to 20%).  
Memory function: The light brightness will keep the last choice, hardware Installation(wall switches)also work.

### Right button: Anti-fog function.



Note: The anti-fog film will automatically turned off one hour.  
Remember to turn off the switch to prevent the energy waste when you don't use it.

### Left/Right button; Time function.



In standby state, when the lights are not turned on (off), long press the color temperature button for 5S to wake up the clock adjustment function.  
At this time, the hour can be adjusted.  
After 5 seconds, the minutes can be adjusted.  
The color temperature key is., and the light Brightness key is+.

### Induction Led Strip.

The top light bar will automatically on and off as the door open and close.