

SAXONY

BATHROOM

CORNER CABINET ITEM CODE: G-0556 Assembly Instruction

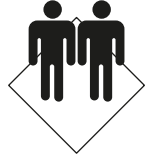
1.0hr

APPROXIMATE ASSEMBLY TIME

2 PEOPLE ASSEMBLY

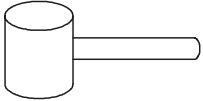


FLOOR AREA
1Mx1M

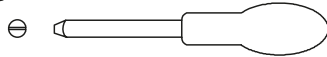


REQUIRED ASSEMBLY SPACE

REQUIRED ASSEMBLY TOOLS



SOFT RUBBER HAMMER(NOT PROVIDED)



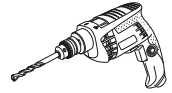
SLOTTED SCREWDRIVER(NOT PROVIDED)



POZI SCREWDRIVER(NOT PROVIDED)

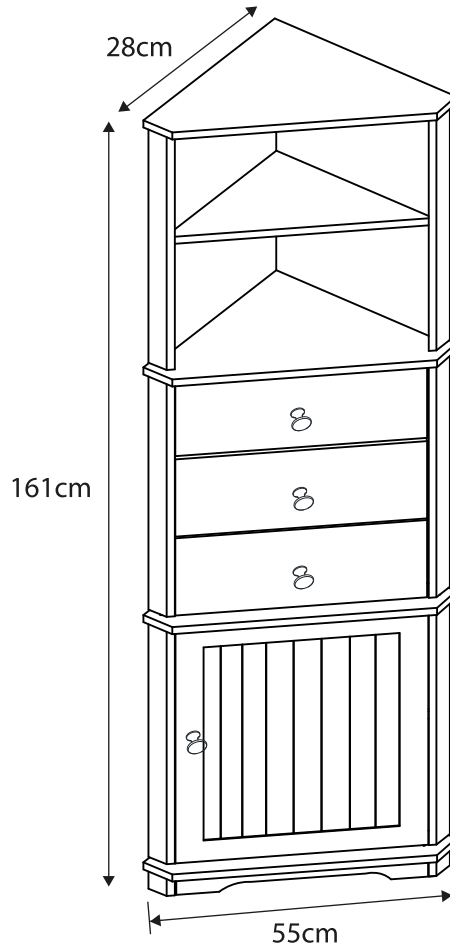


MEASURING TAPE(NOT PROVIDED)



ELECTRIC DRILL(NOT PROVIDED)

ASSEMBLED DIMENSIONS



Max. Loading: 20kg

1 - 12

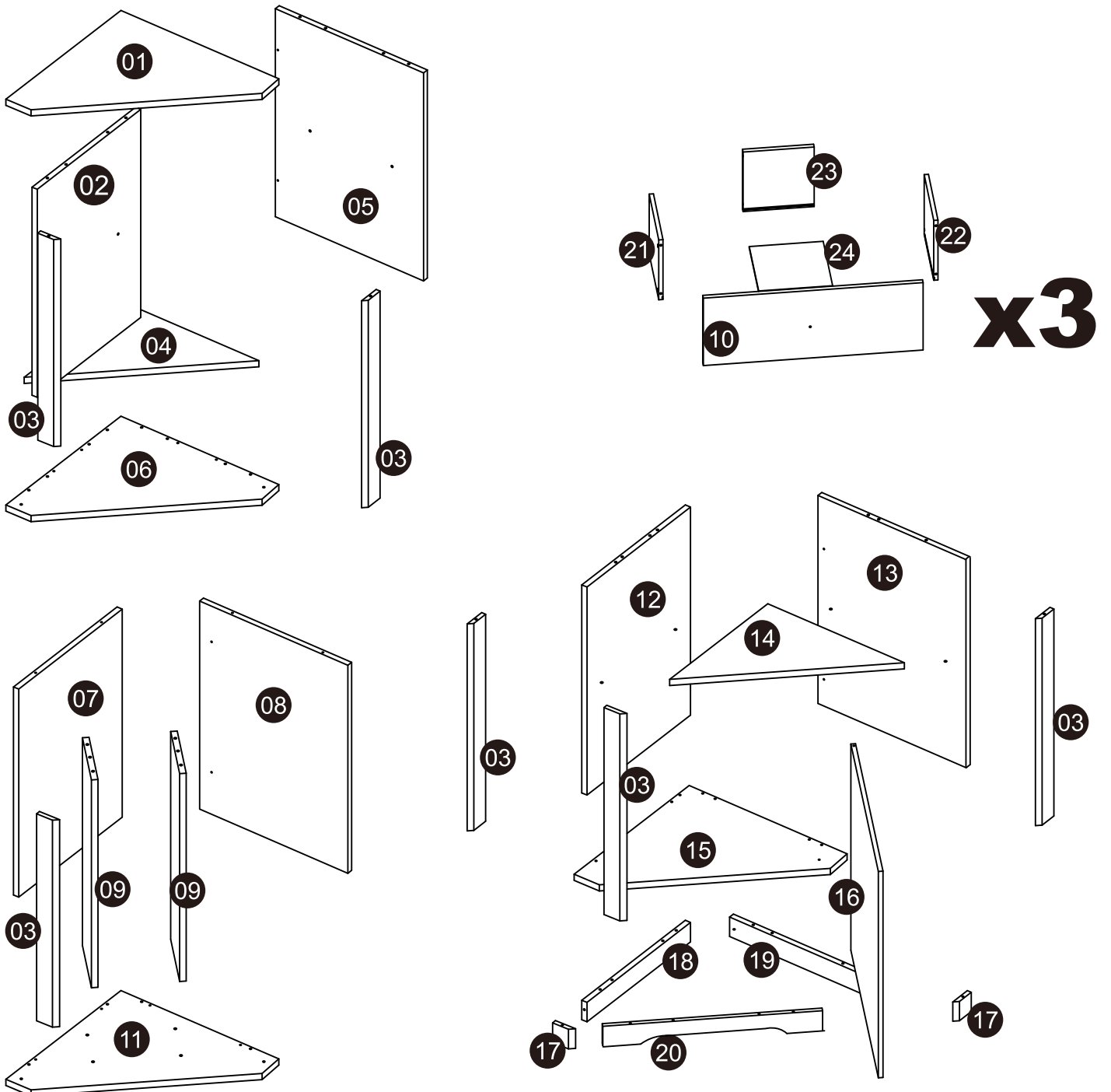
Made in China
Manufactured for Gill HK Limited BD4 9SW
www.gillhk.com

CORNER CABINET

ITEM CODE: G-0556

Assembly Instruction

PART LIST





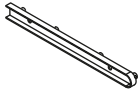
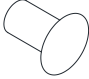


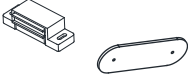






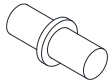
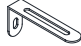

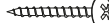

Max. Loading: 20kg

CORNER CABINET

ITEM CODE: G-0556

Assembly Instruction

HARDWARE LIST

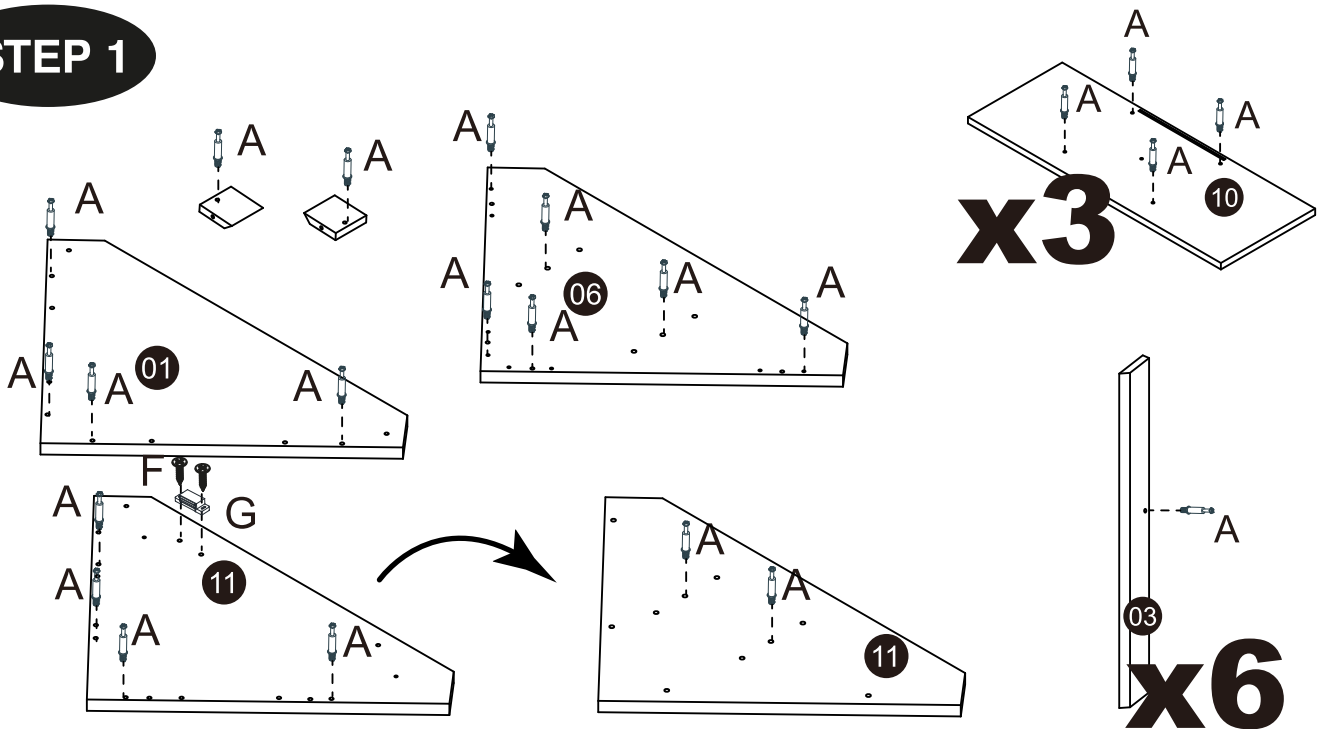
A	x 36	B	x 36	C	x 6	D	x 6	E	x 14	F	x 2
	m6x35		m14x9		160mm		Knob		m3x10		m3x14
Camlock bolt		Camlock		Drawer Runner				Screw		Screw	
G	x 1	H	x 31	I	x 6	J	x 4	K	x 4	L	x 50
			m4x30		m4x40		m19x19		m4x25		m6x30
Magnet & Magnet Strip		Screw		Screw		Knob		Screw		Wooden Dowel	
M	x 6	N	x 6	O	x 1	P	x 1	Q	x 1	R	x 1
	m6x40		Door Pin		Anti-Tip Strap		Wall Plug		m4x40		m4x12
Wooden Dowel								Screw		Screw	

CORNER CABINET

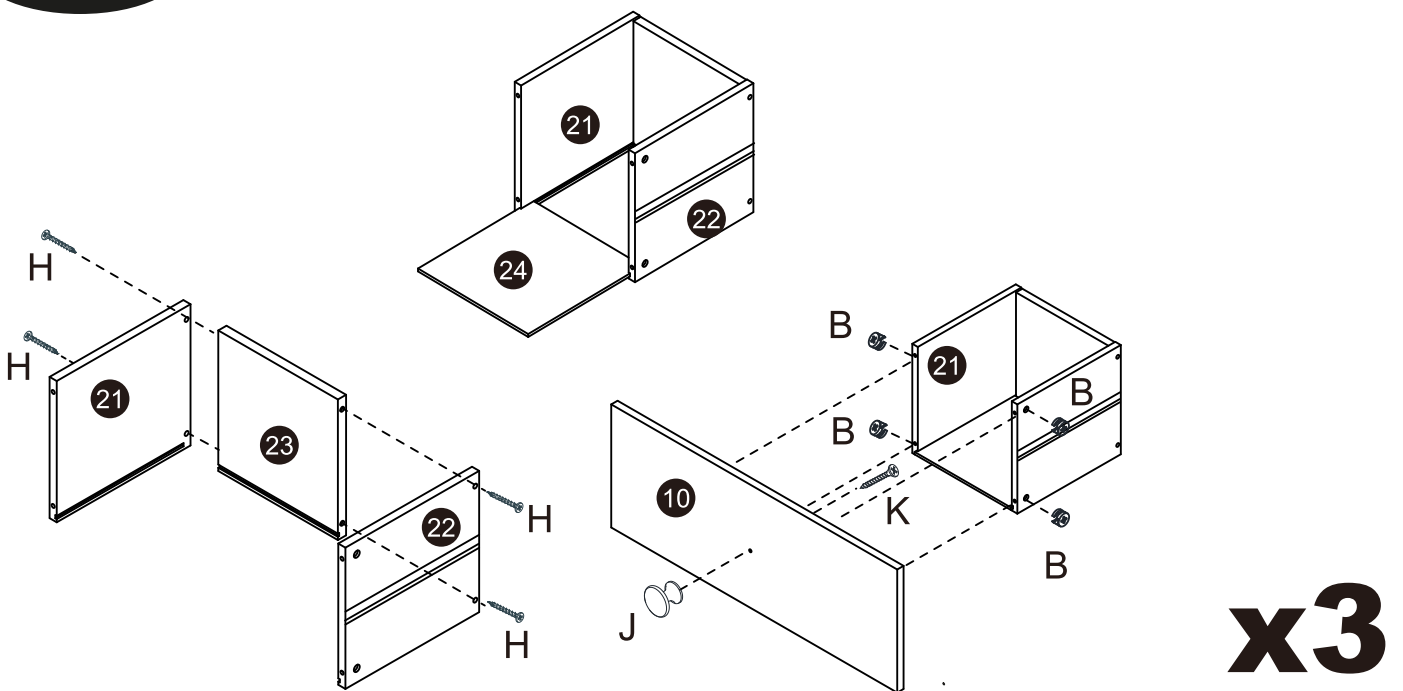
ITEM CODE: G-0556

Assembly Instruction

STEP 1



STEP 2



Max. Loading: 20kg

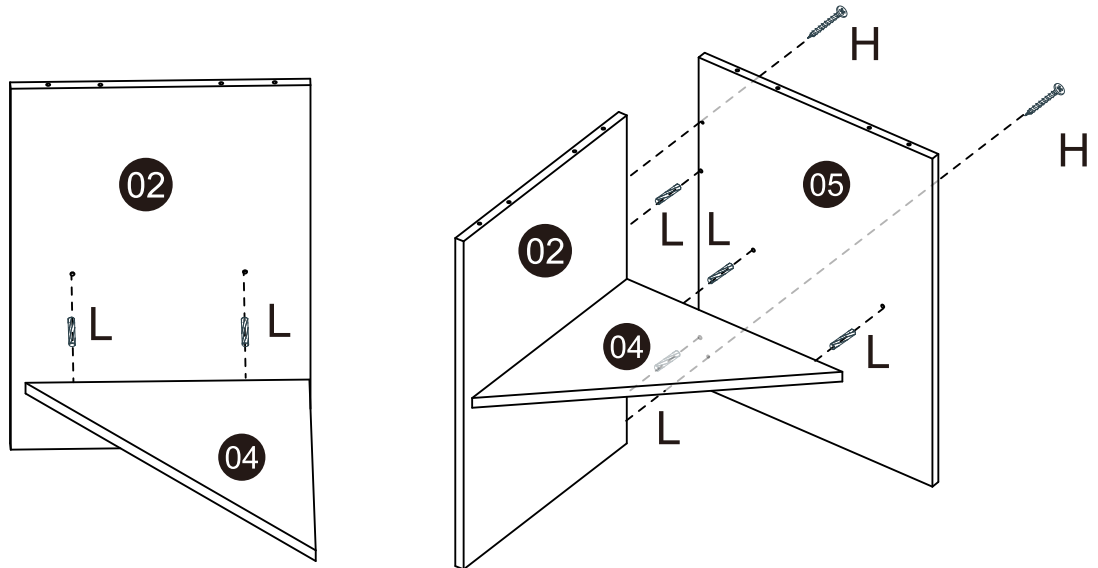
4 - 12

Made in China
Manufactured for Gill HK Limited BD4 9SW
www.gillhk.com

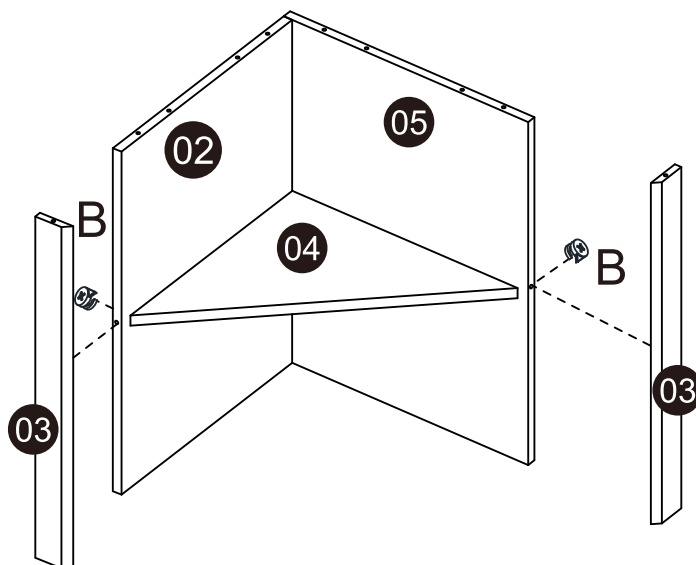
CORNER CABINET

ITEM CODE: G-0556
Assembly Instruction

STEP 3



STEP 4

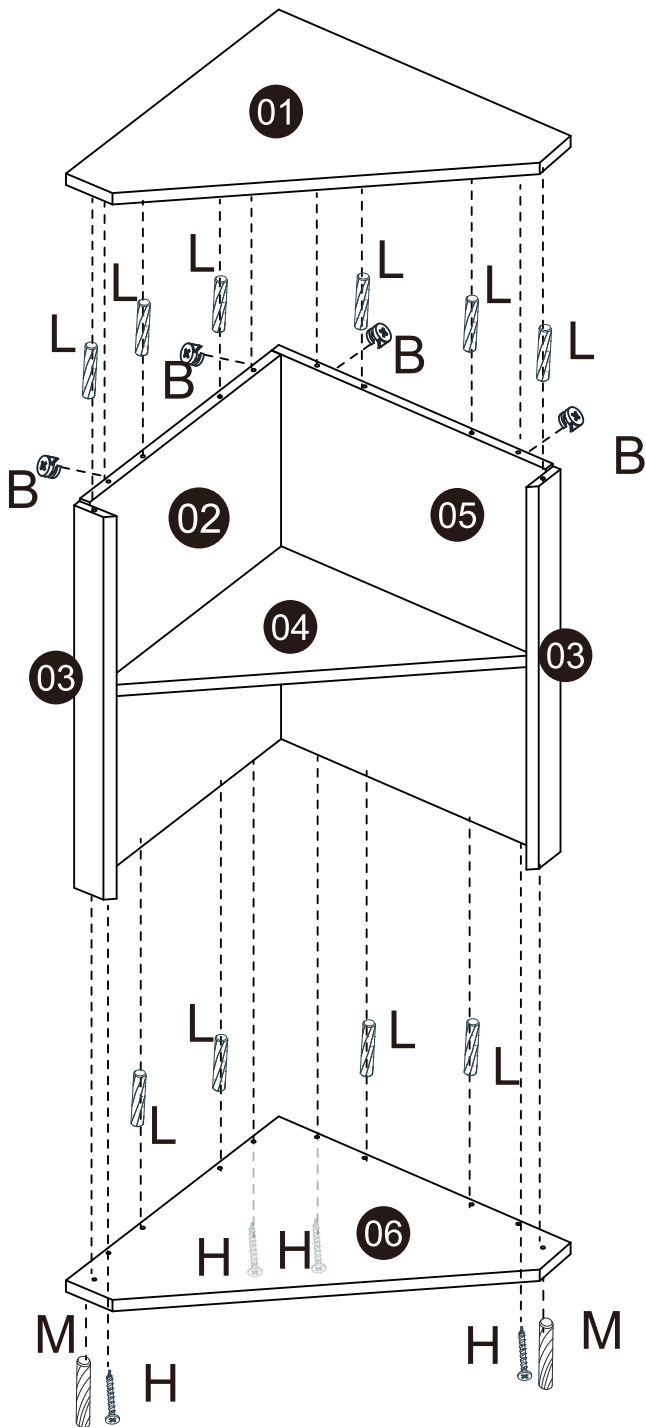


CORNER CABINET

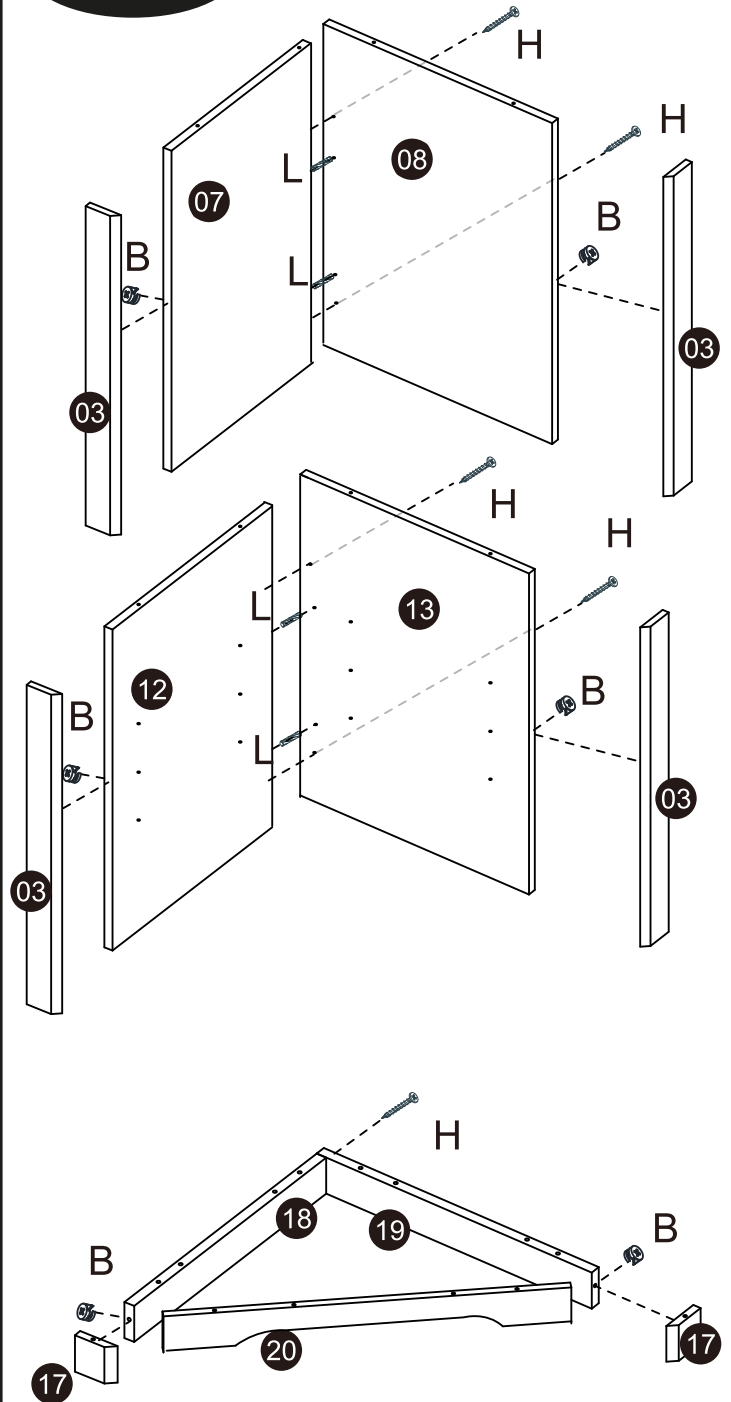
ITEM CODE: G-0556

Assembly Instruction

STEP 5



STEP 6



Max. Loading: 20kg

6 - 12

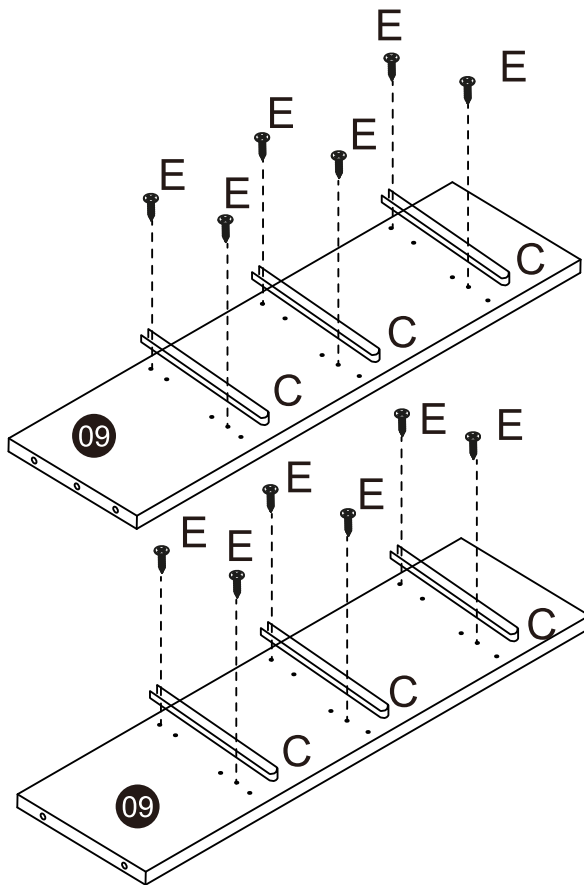
Made in China
Manufactured for Gill HK Limited BD4 9SW
www.gillhk.com

CORNER CABINET

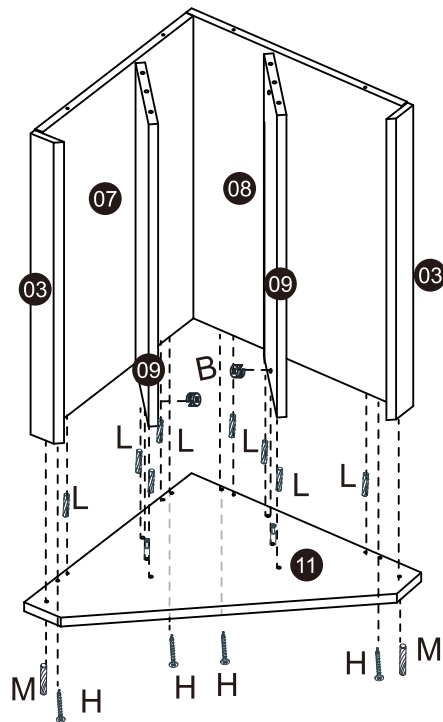
ITEM CODE: G-0556

Assembly Instruction

STEP 7



STEP 8



Max. Loading: 20kg

7 - 12

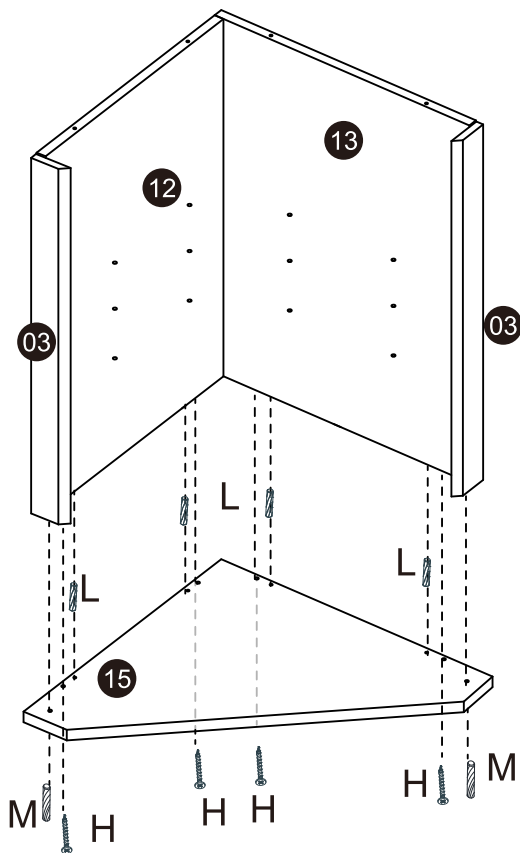
Made in China
Manufactured for Gill HK Limited BD4 9SW
www.gillhk.com

CORNER CABINET

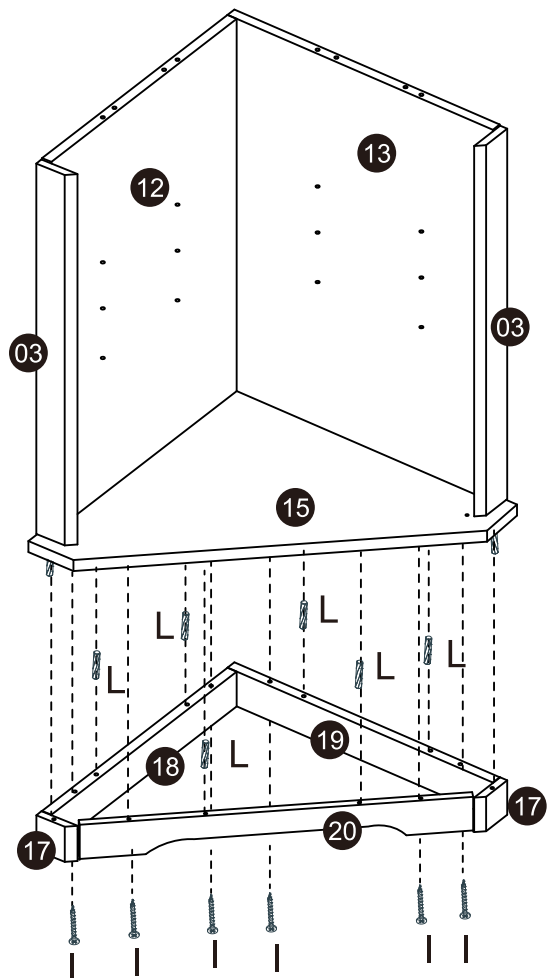
ITEM CODE: G-0556

Assembly Instruction

STEP 9



STEP 10



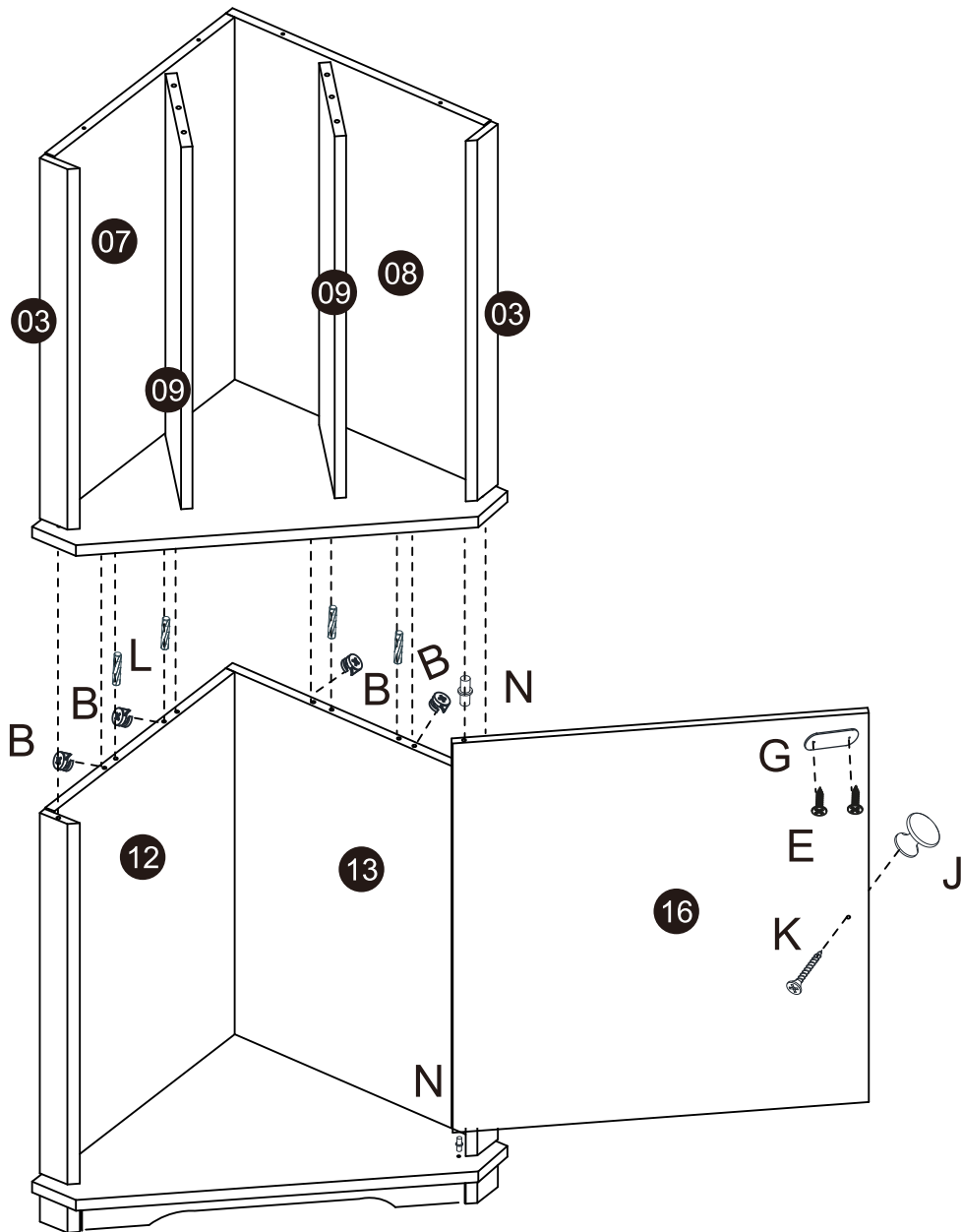
Max. Loading: 20kg

CORNER CABINET

ITEM CODE: G-0556

Assembly Instruction

STEP 11



Max. Loading: 20kg

9 - 12

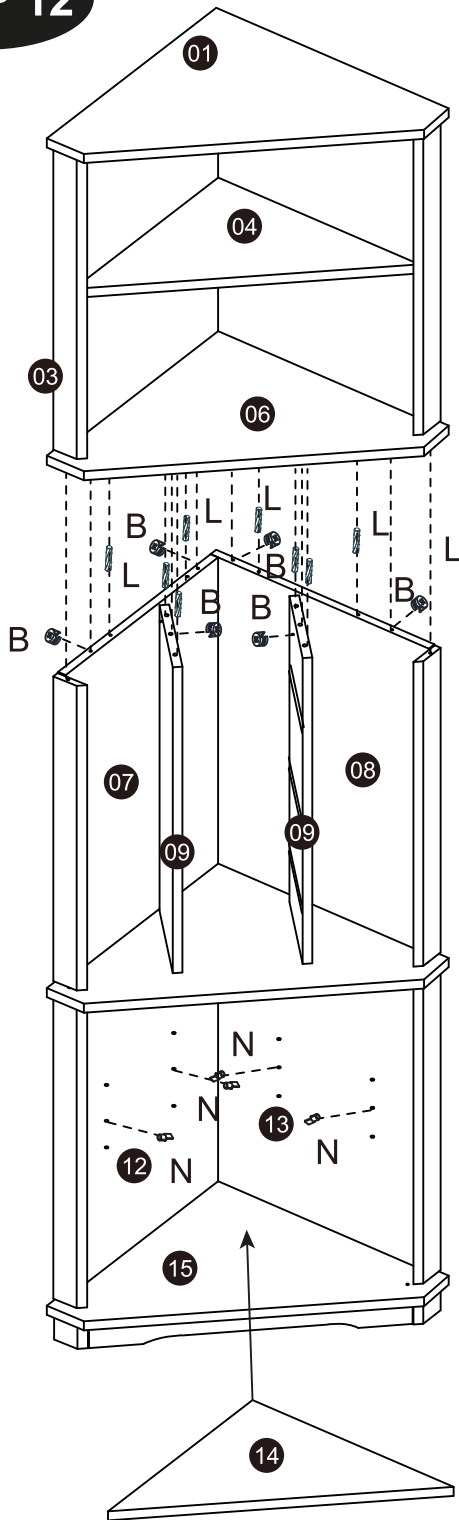
Made in China
Manufactured for Gill HK Limited BD4 9SW
www.gillhk.com

CORNER CABINET

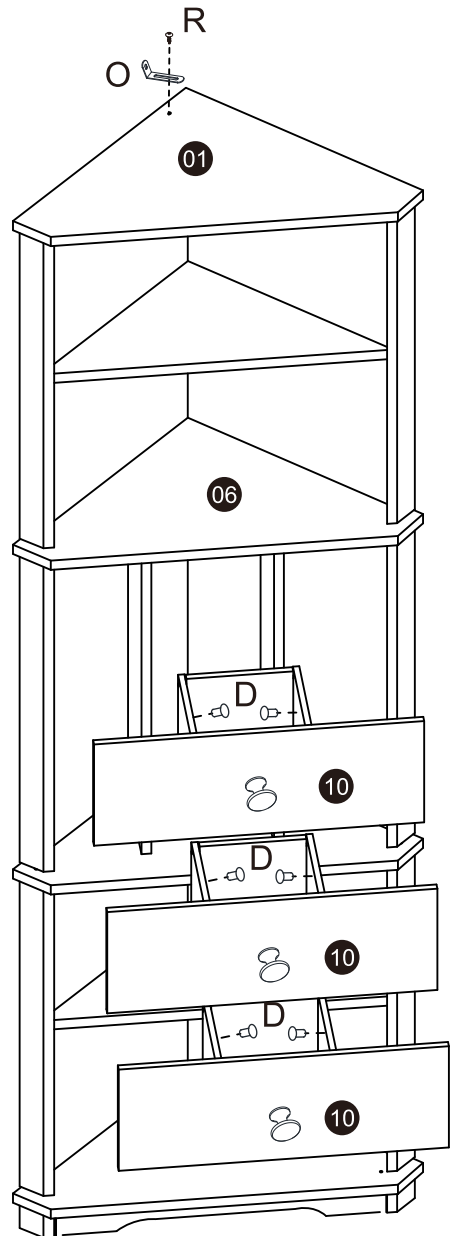
ITEM CODE: G-0556

Assembly Instruction

STEP 12



STEP 13



Max. Loading: 20kg

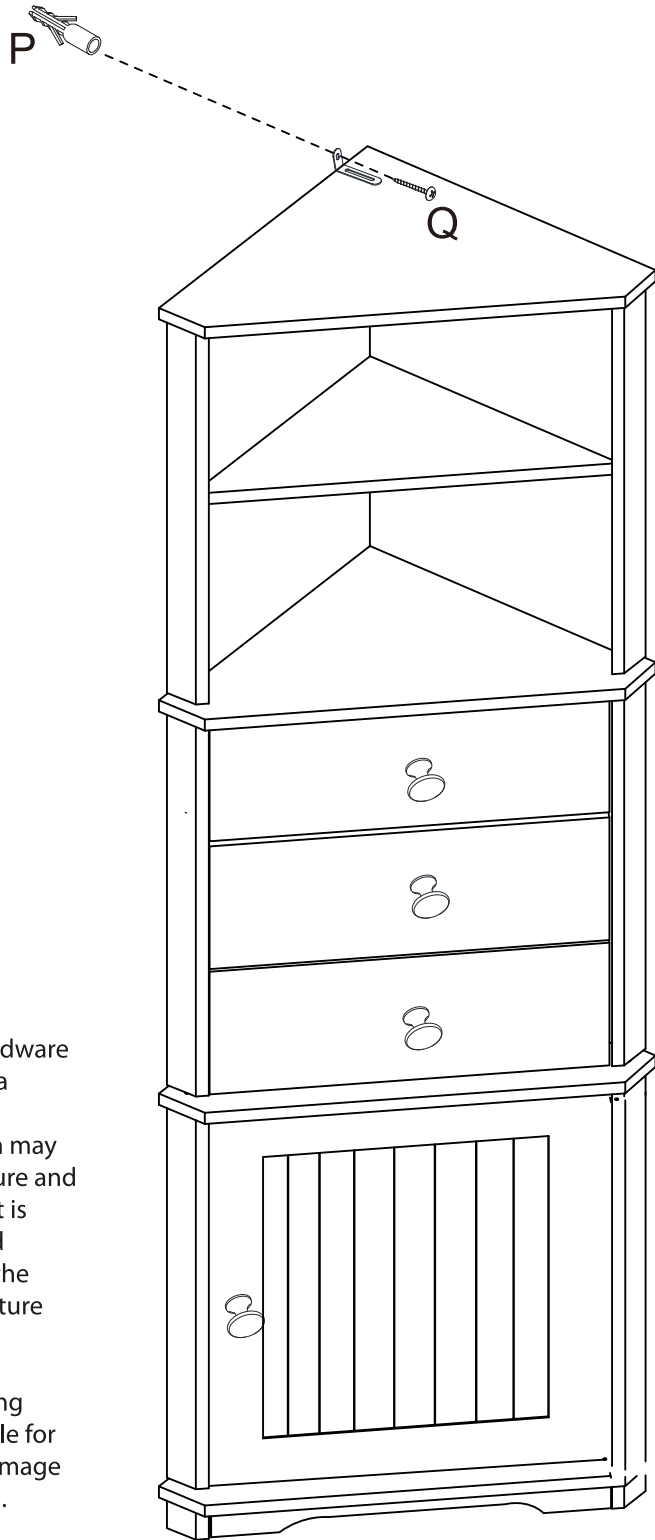
10 - 12

Made in China
Manufactured for Gill HK Limited BD4 9SW
www.gillhk.com

CORNER CABINET

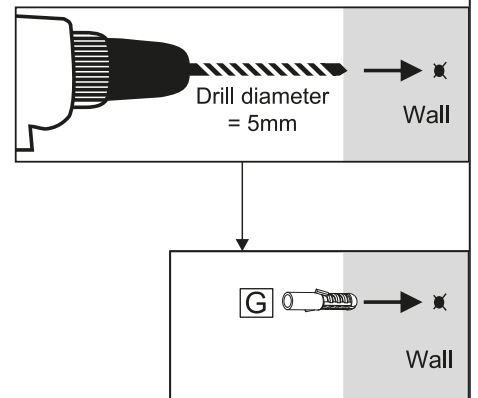
ITEM CODE: G-0556
Assembly Instruction

STEP 14



WARNING: Anti-tipping hardware is only a deterrent. It is not a substitute for proper adult supervision. Young children may be injured by tipping furniture and the use of a tipping restraint is highly recommended, could provide protection against the unexpected tipping of furniture due to improper use.

Please ensure the anti-tipping hardware provided is suitable for your wall or else it might damage your wall during installation.



Max. Loading: 20kg

11 - 12

Made in China
Manufactured for Gill HK Limited BD4 9SW
www.gillhk.com

CORNER CABINET

ITEM CODE: G-0556

Assembly Instruction



Safety Advice and Care Advice

KEEP ALL THE SAFETY ADVICE AND INSTRUCTIONS IN A SAFE PLACE FOR FUTURE REFERENCE!

⚠ WARNING! RISK OF LOSS OF LIFE OR ACCIDENT TO INFANTS AND CHILDREN! Never leave children unsupervised with the packaging materials. Danger of suffocation.

⚠ CAUTION! RISK OF INJURY! Make sure that all parts are undamaged and assembled correctly. Improper assembly carries a risk of injury. Damaged parts may affect the safety and function of the product.

- Make sure that this product is standing on a solid, level surface.

⚠ CAUTION! Do not leave children unsupervised! The product is not a climbing frame or a toy! Make sure that nobody, especially a child, climbs on or leans against the product.

- Distribute weight evenly across the product so that it cannot overturn.
- Do not load more than a total of 20kg onto the product, otherwise there is a risk of injury and/or damage to the product.
- Check that the product is stable before using it.
- Do not lift or move the product when it is loaded.
- Keep away from fire and inflammable objects.
- **Wipe clean with a damp cloth.**
- Make sure that all screws and fixings are secure before use.
- Do not place very hot or very cold items on the surface(s) unless adequately thick table mats are used.
- Please periodically check all fittings and re-tighten as necessary.
- Domestic use only.