

Assembly Instructions

CAUTION: You must read these Assembly Instructions before you proceed.

Care & Maintenance



- Not for commercial use. For residential use only.



- Do not put hot items directly on furniture surface.



- Do not clean furniture with harsh cleansers or polish.



- To obtain the longest lifespan of your outdoor product minimizing exposure to direct sunlight is recommended.



- Children should not climb or jump on the furniture.



- Do not write on furniture without a padded barrier to protect the surface.



- To obtain the longest lifespan of your outdoor products, avoid extended and lengthy exposure to rain, snow, and direct sunshine. Whenever possible cover the product and /or place under patio or awnings.



- Stains may be removed with mild soap solution and damp cloth.



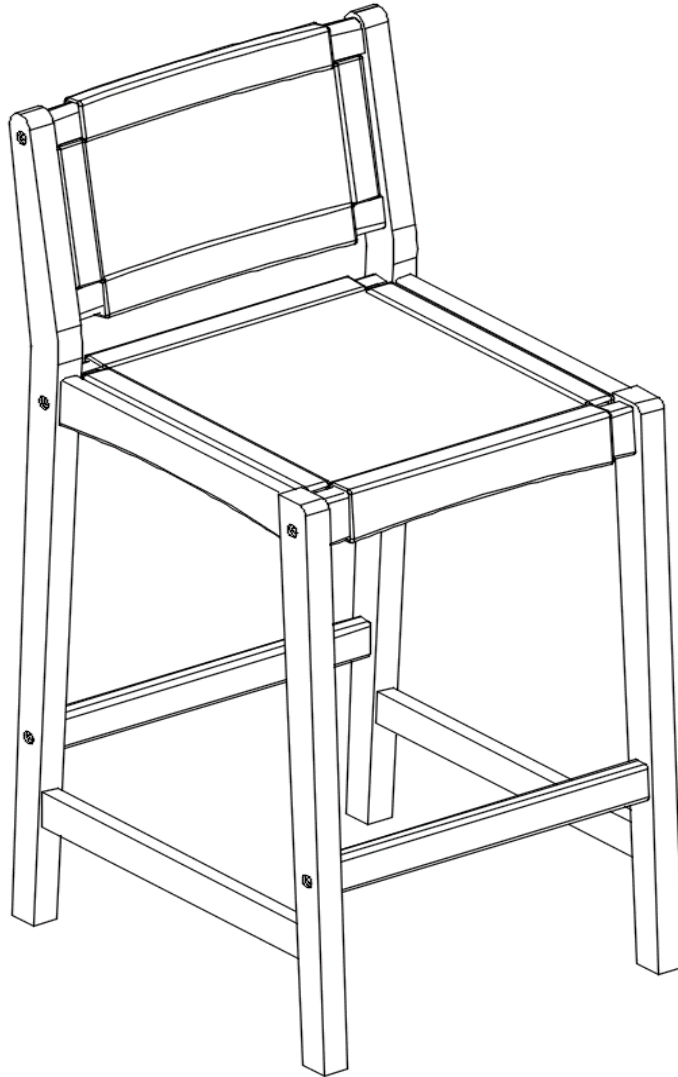
- Keep away from sources of ignition.





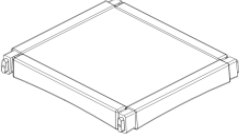
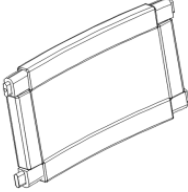
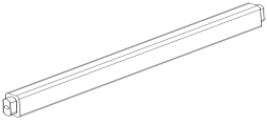
- Dust and pick-up spills using a clean, non-colored, lint- free cloth.

Please look in the Leg for hardware packs.

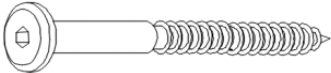

BARSTOOL



Part List:

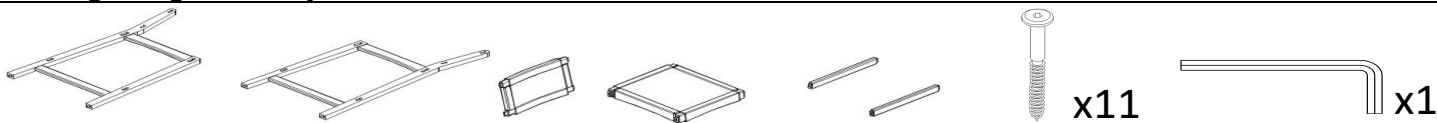
| Label | Picture | Description | Qty |
|-------|---|-----------------|-----|
| A |  | Left Arm Panel | 1 |
| B |  | Right Arm Panel | 1 |
| C |  | Seat Panel | 1 |
| D |  | Backrest Panel | 1 |
| E |  | Footrest | 2 |

Hardware

| No. | Picture | Description | Qty |
|-----|---|----------------------|-----|
| ① |  | Screw (M7 x 60mm) | 11 |
| ② |  | Allen Wrench | 1 |

Assembly Preparation

Before Beginning Assembly:



- Read instructions, cover to cover-



- Have 2 adults on hand for assembly-



- Do not assemble on flooring or carpet-



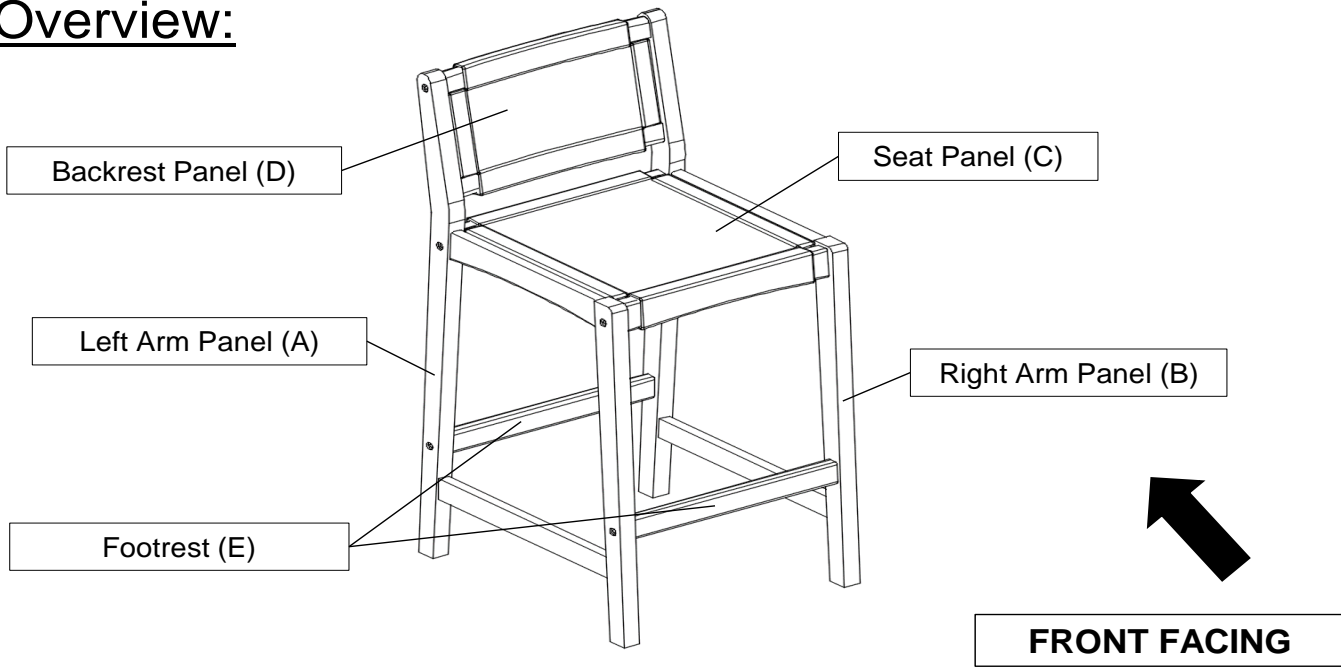
- Assemble on a clean non-marring surface (packing foam)-



- Save all packaging until finished-

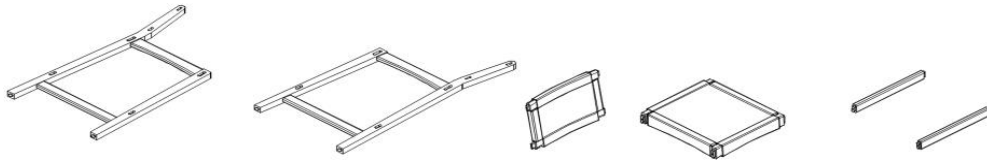
Assembly Steps

Overview:



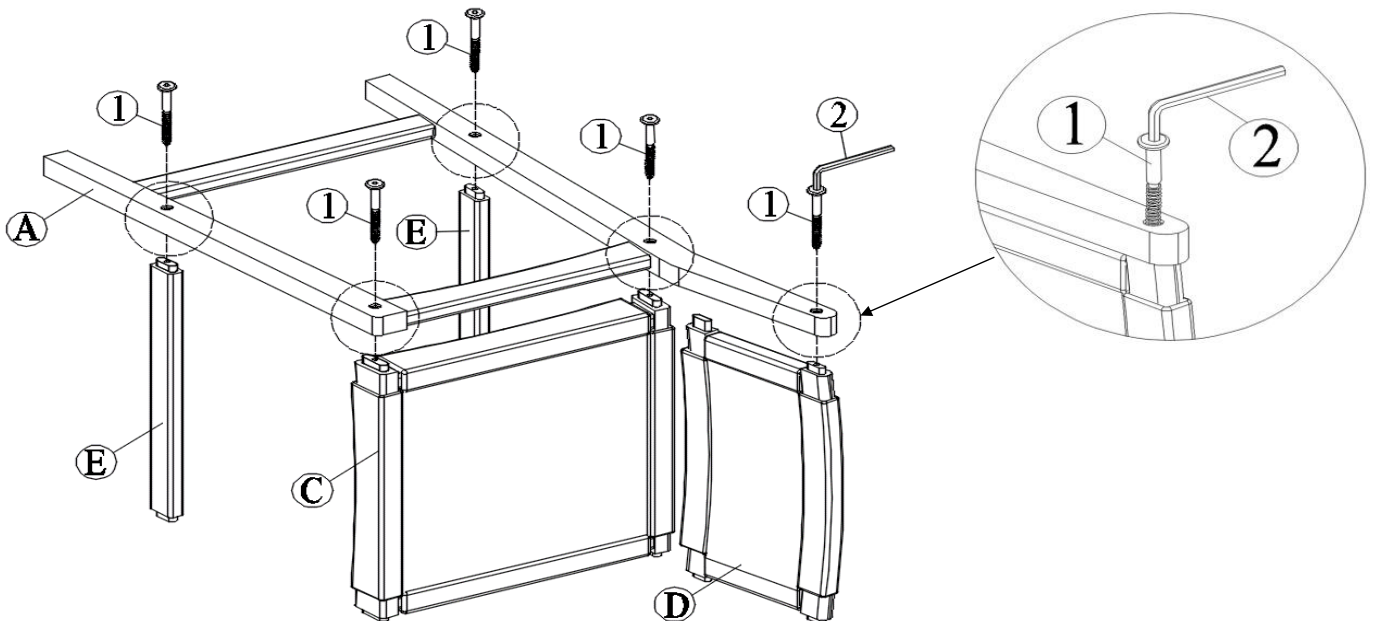
This Barstool has multiple parts and may require up to 20 minutes to assemble. To give you an overview of the Barstool parts, the above picture is to help you put the various parts into perspective. Please read through the instructions herebelow to familiarise the parts and steps before assembly.

Step 1:



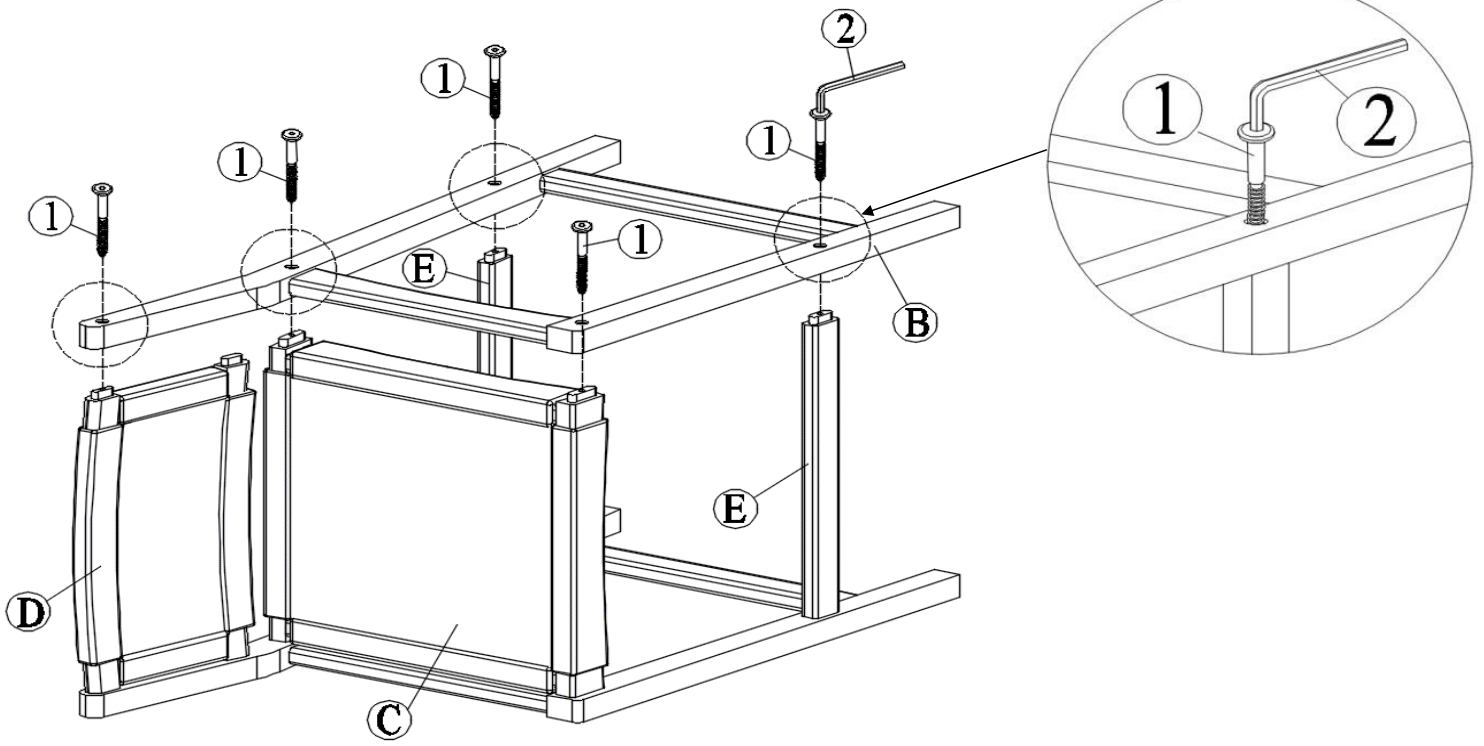
Unpack and place all parts on a clean, non-marring surface.

Step 2:



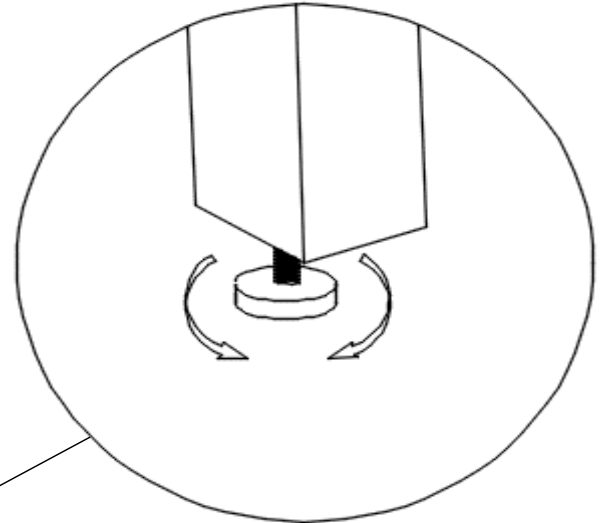
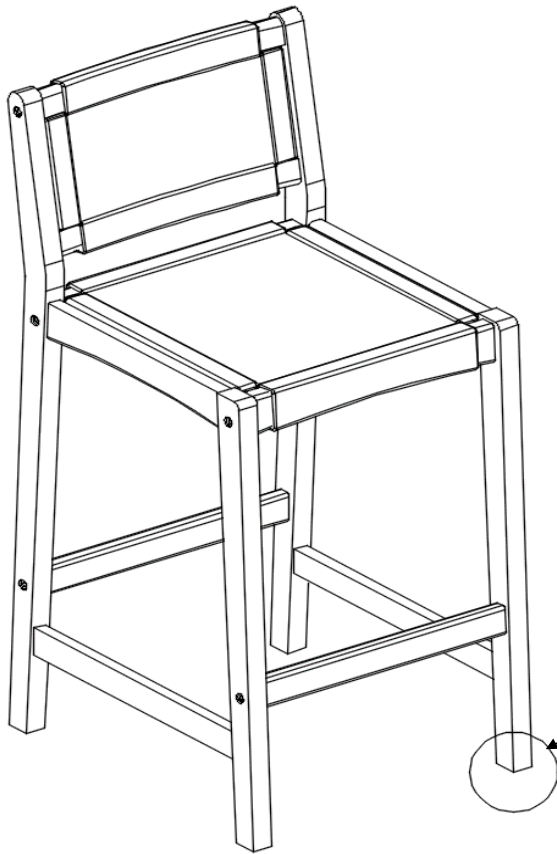
With the help of your adult partner, place the Left Arm Panel (A), Seat Panel (C), Backrest Panel (D) and Support Bars (E) as shown in picture onto a clean, soft surface to avoid any scratches or damages to the product. Then align the tenons of Seat Panel (C), Backrest Panel (D) and Support Bars (E) into the mortises of the Left Arm Panel (A) and affix by using Screws (1) and Allen Wrench (2).
Do not fully tighten the Screws.

Step 3:



With the help of your adult partner, turn the assembled part in Step 2 to the opposite side and attach the mortises of Right Arm Panel (B) to the tenons of Seat Panel (C), Backrest Panel (D) and Support Bars (E) then secure by using Screws (1) and Allen Wrench (2).
Do not fully tighten the Screws.

Step 4:



Adjust Pre-installed Levellers height for balance

Inspect it and make sure all parts are adequately connected.

Turn the Barstool right side up.

Gently and gracefully, sit onto the Barstool.

This will help to align all the parts at all joint areas.

Then get off the Barstool and in a sequential manner, gradually tighten all Screws at all joints until evenly connected.

If there are still wobbles, loosen the Screws and execute this same process.

Adjust Pre-installed Leveler height for balance as shown above.

WARNING!! IF BARSTOOL IS NOT STABLE, IT COULD LEAD TO DAMAGING THE PRODUCT.

Your Barstool is ready for use.

This Barstool can only be used on a flat, level surface.