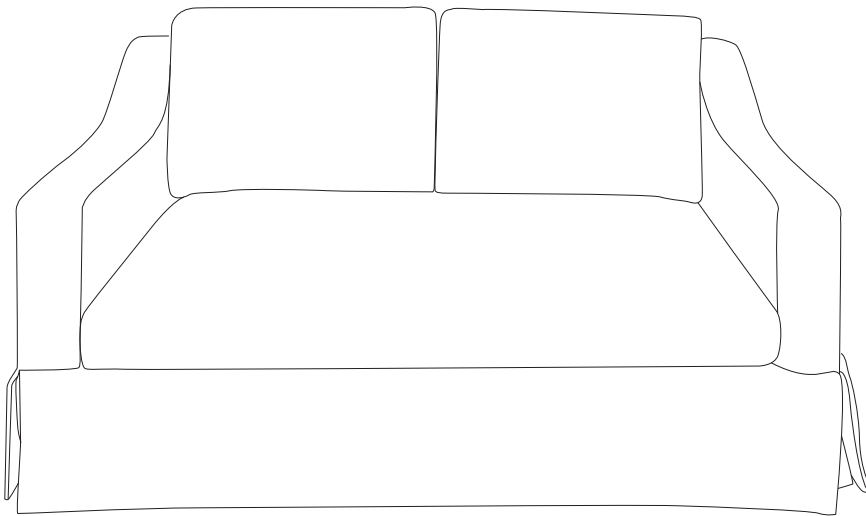


# ASSEMBLY INSTRUCTIONS

Loveseat Sofa



TIME



2 OF PEOPLE



DIFFICULTY

## NOTICE

### Instruction Booklet - Important Safety Information

Thank you for choosing our product. Please review this booklet carefully for essential safety information and keep it for future reference.

- Upon receiving the product, ***ensure all parts are present and intact*** before proceeding with installation. Follow the entire installation instructions provided.
- During installation, exercise caution and refrain from immediately tightening screws. Secure all screws to 80% before final tightening.

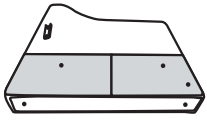
Returns are accepted only for items in their ***original, unopened condition***.



**Before installation, please check that the parts are all included !**

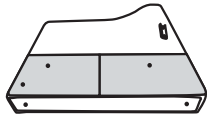
# Carton A

Materials ▶ Tips: Left and right directions are determined when seated on the sofa.



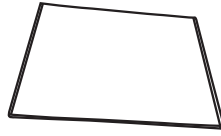
Left Armrest

L\*1



Right Armrest

R\*1



Seat Frame

A\*1



Backrest Frame

B\*1



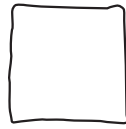
Front Panel

C\*1



Seat Cushion

D\*1



Back Pillow

E\*2



Legs

F\*4



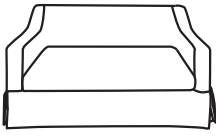
Washers

G\*4



Reinforcement Plate

H\*2



Sofa Cover

I\*1



M8\*50mm

①\*4



M6X35mm

②\*4



M6X16mm

③\*4



④\*6



⑤\*4

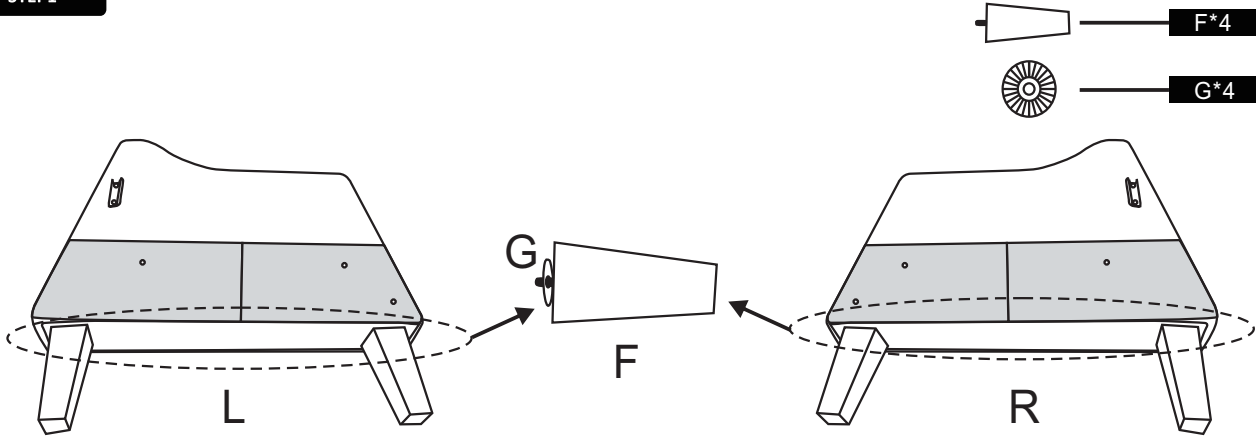


⑥\*1

## Hardware Box

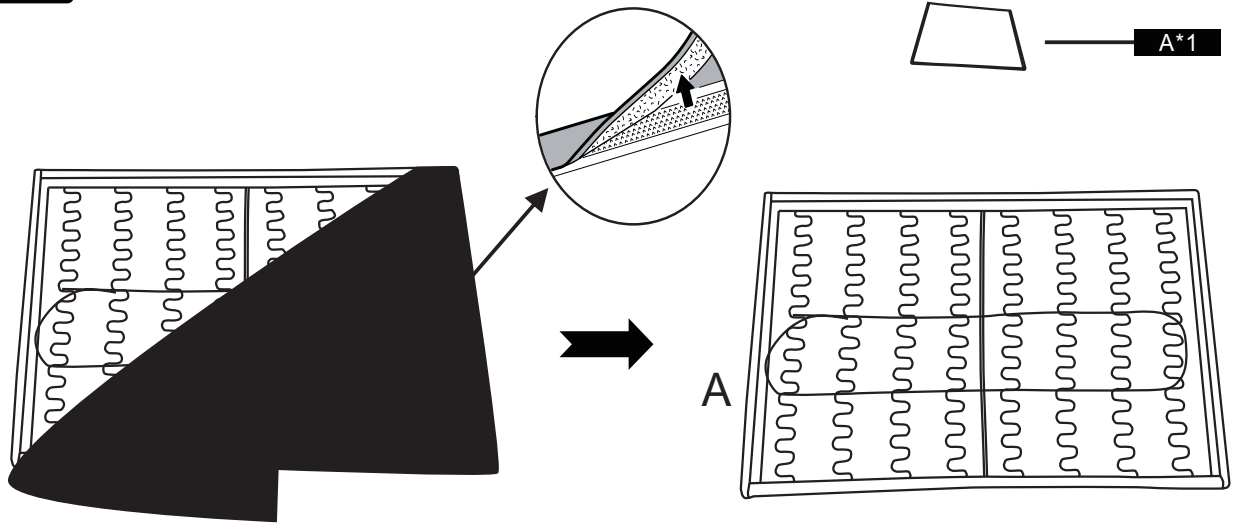
# Installation Steps

## STEP1



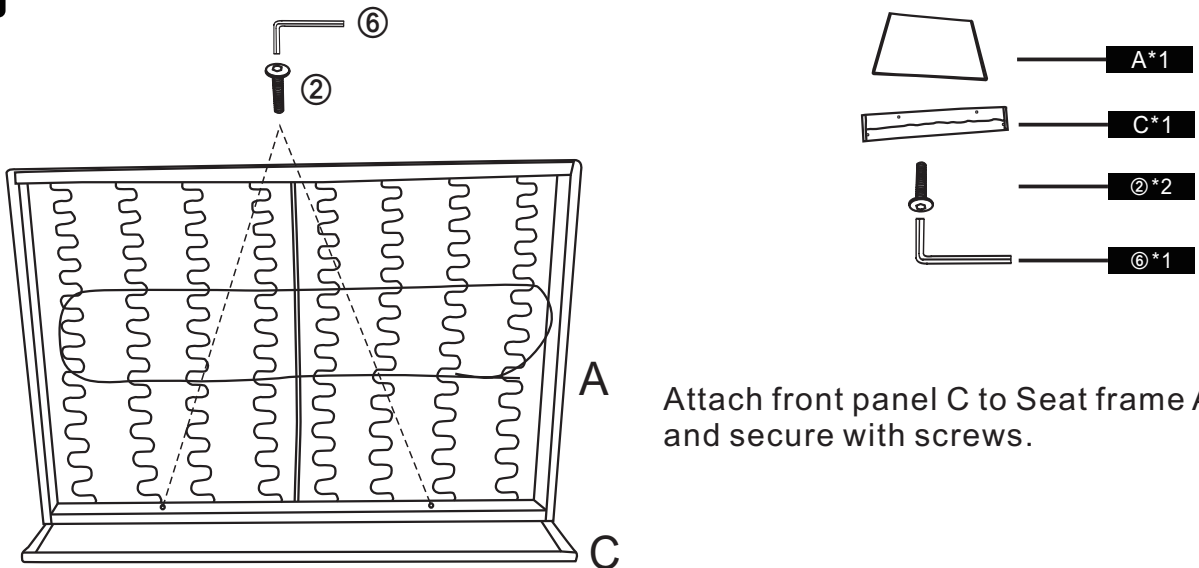
Attach the sofa feet (F) to the bottom of the armrests(L&R).

## STEP2



Tear off the Spunbond non-woven from the Seat frame A.

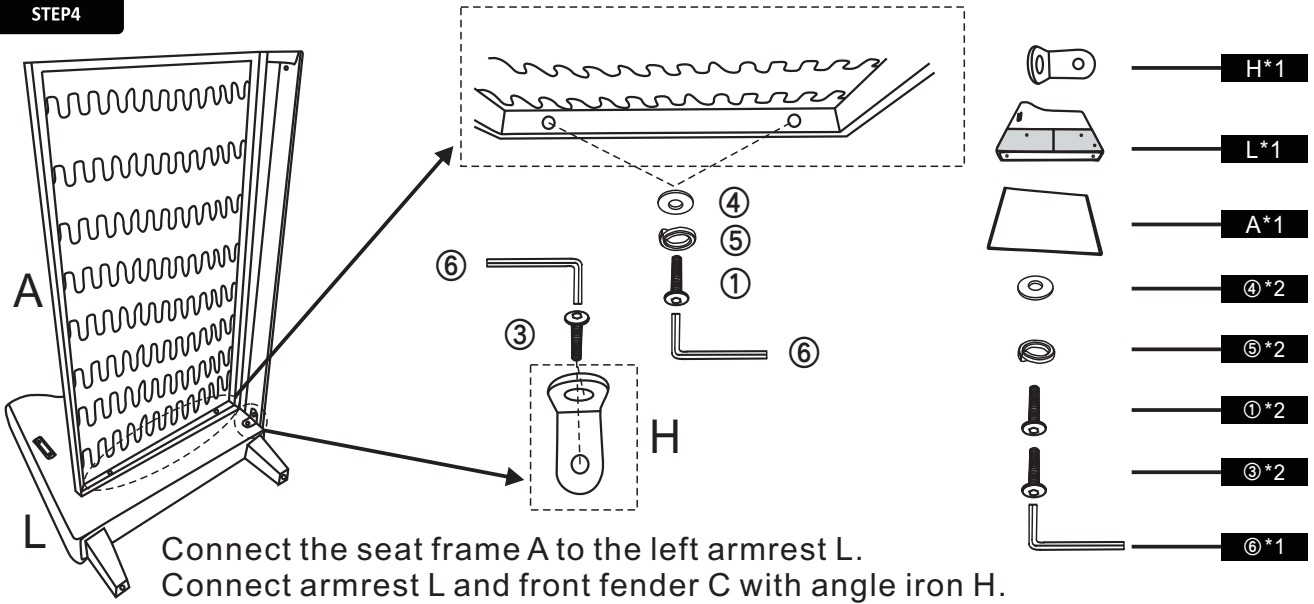
## STEP3



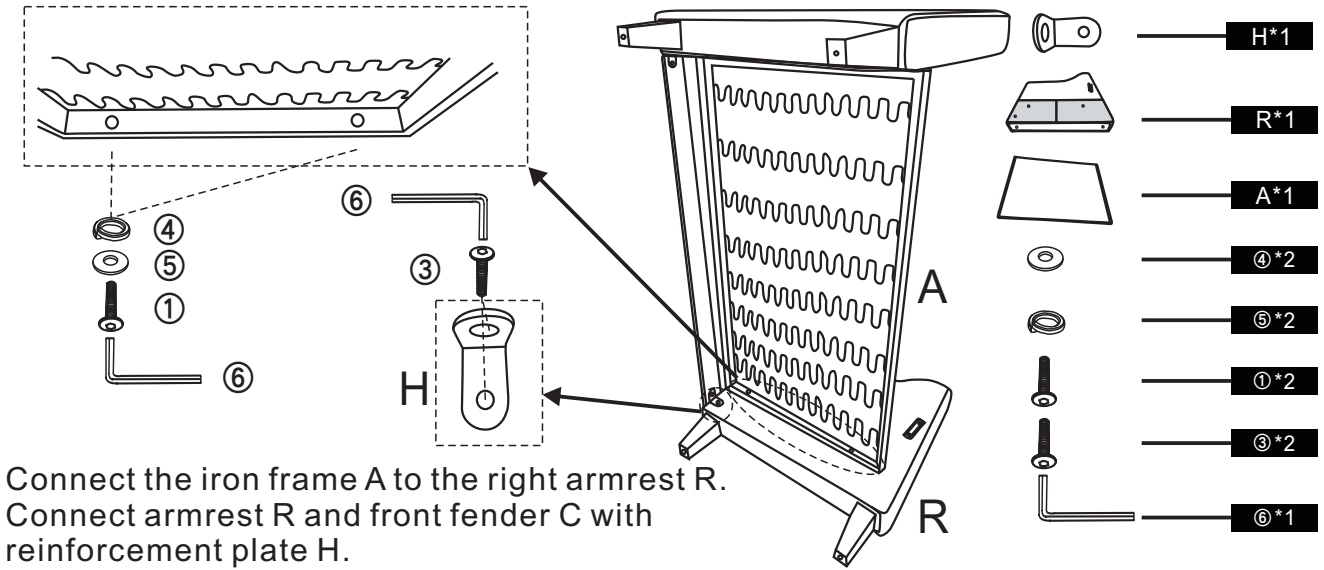
Attach front panel C to Seat frame A and secure with screws.

# Installation Steps

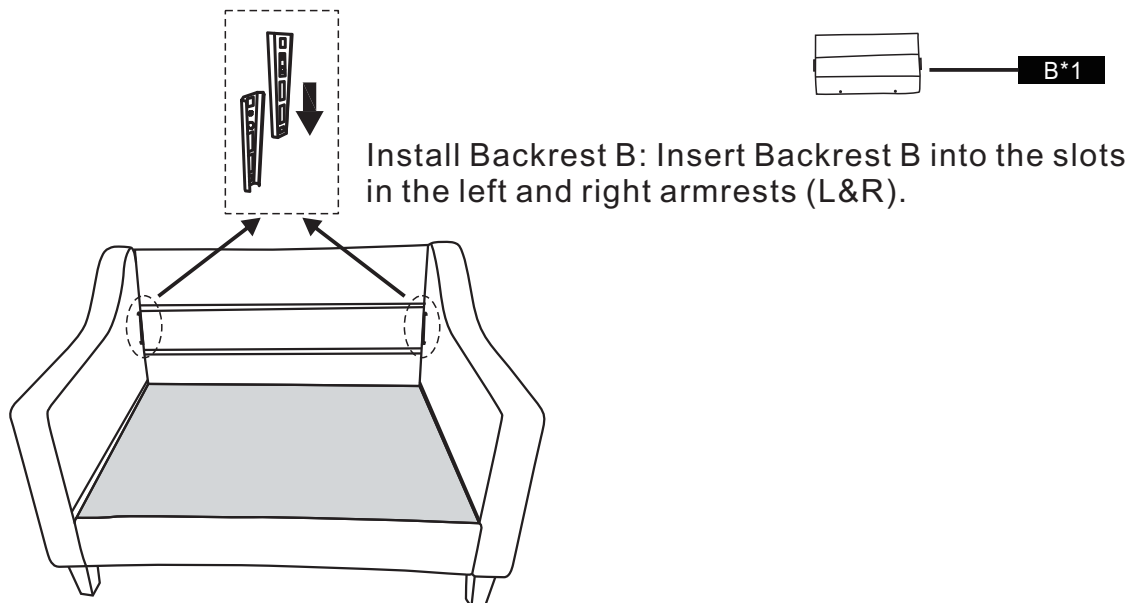
## STEP4



## STEP5

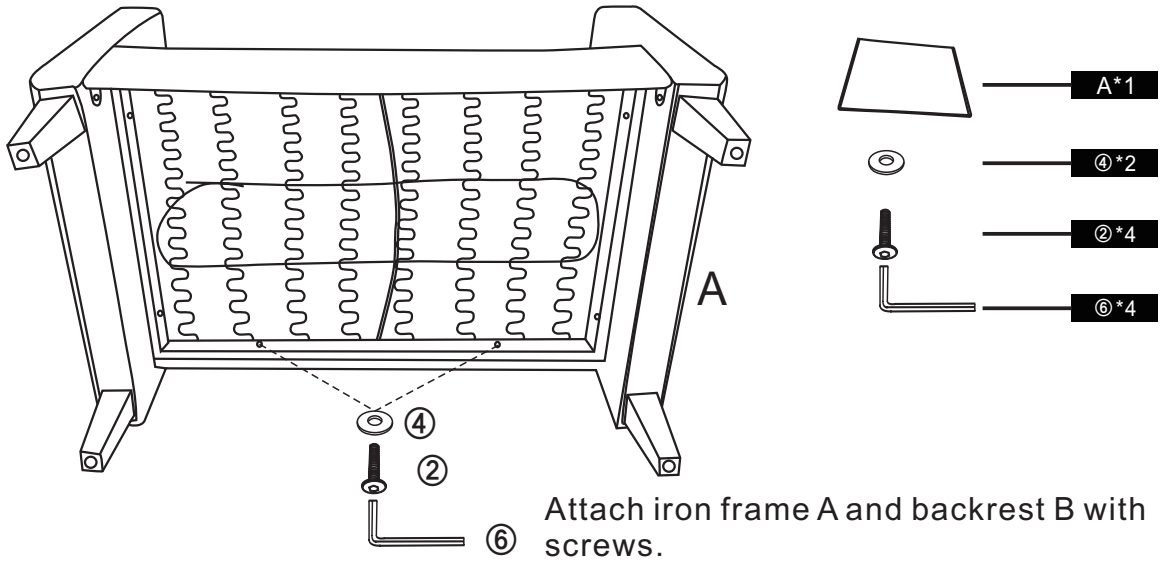


## STEP6

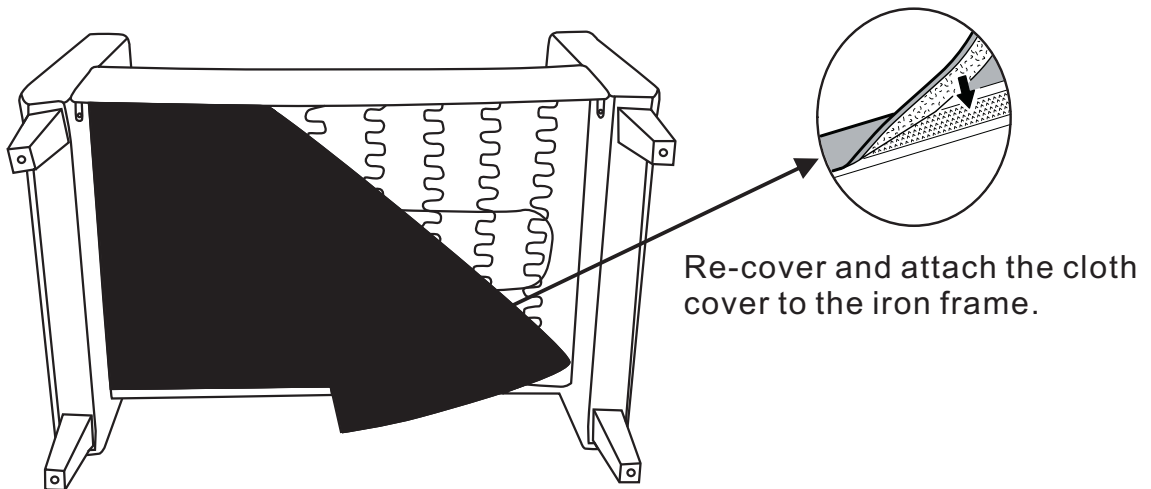


# Installation Steps

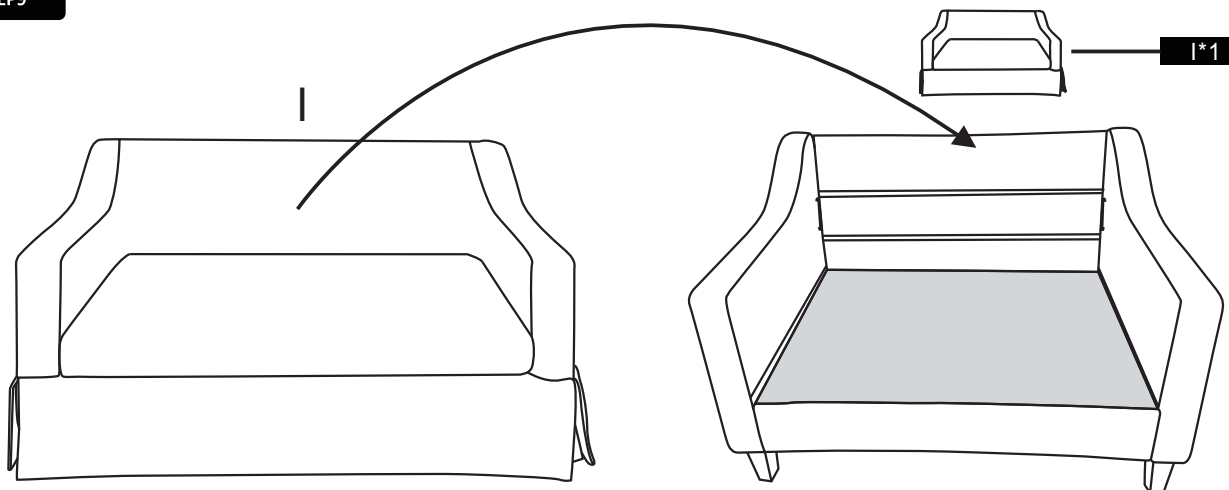
## STEP7



## STEP8

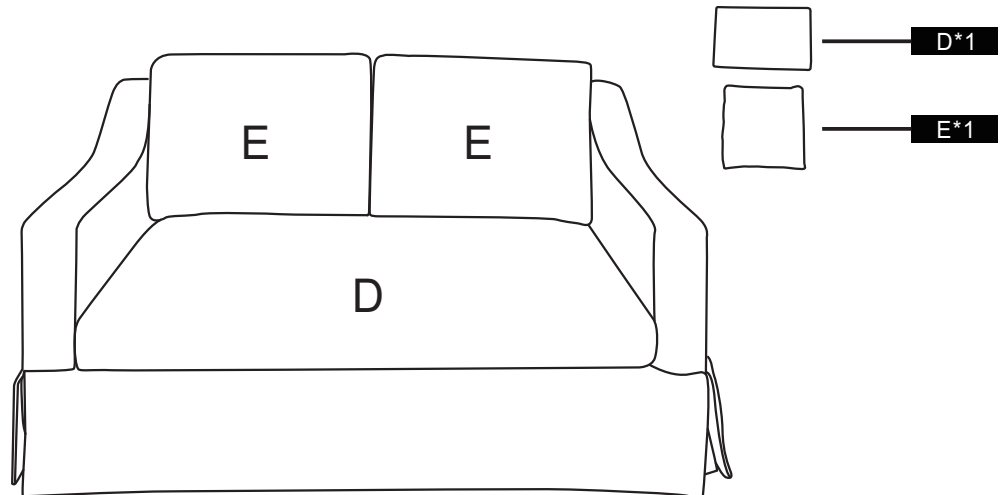


## STEP9



# Installation Steps

## STEP10



Place the cushion D, back pillow E, in the corresponding position, the installation is completed.

## STEP11

**Tips:** As the cushions are all vacuum compressed for better shipment, there will be some wrinkles. Please give your cushions up to 72 hours to reach their original size and the wrinkles will basically disappear.

