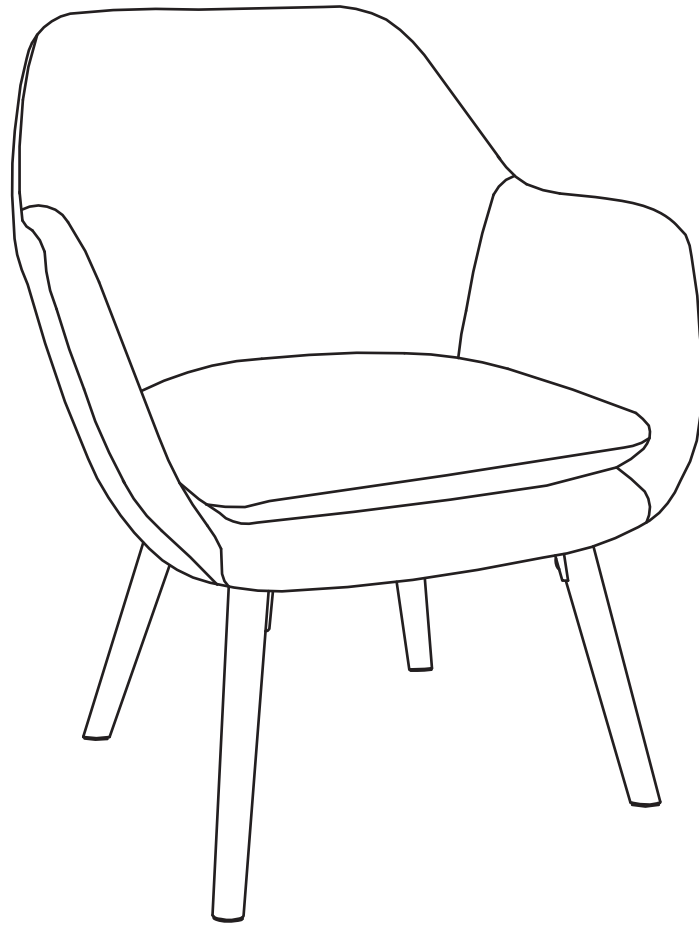




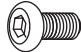

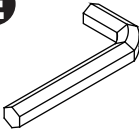
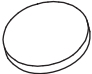
CHAIR



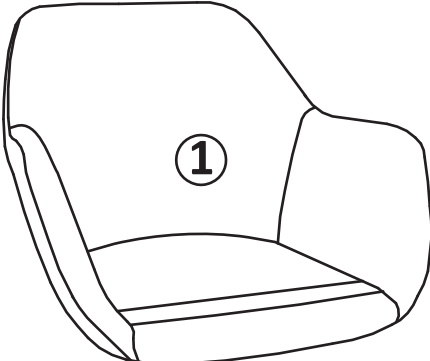
ASSEMBLY INSTRUCTIONS

We have designed our furniture with you , the customer in mind . Our clear , easy to follow , step by step instructions will guide you through the project from start to finish . Feel confident that this will be a fun and rewarding project . The final product will be a quality piece of furniture that will go together smoothly and give years of enjoyment .

Hardware List

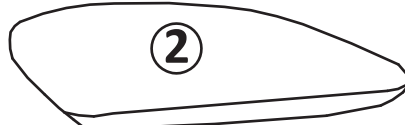
A 	B 	C 	D 	E 
Spring Washer (4pcs)	Flat Washer (4pcs)	Short Allen Screw (8pcs)	Long Allen Screw (8pcs)	Allen Wrench (1pc)
F 				
Leg Pad (4pcs)				

Panel List



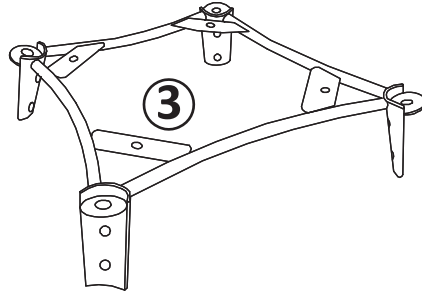
1

Backrest (1pc)




2

Cushion (1pc)



3

Frame (1pc)



4

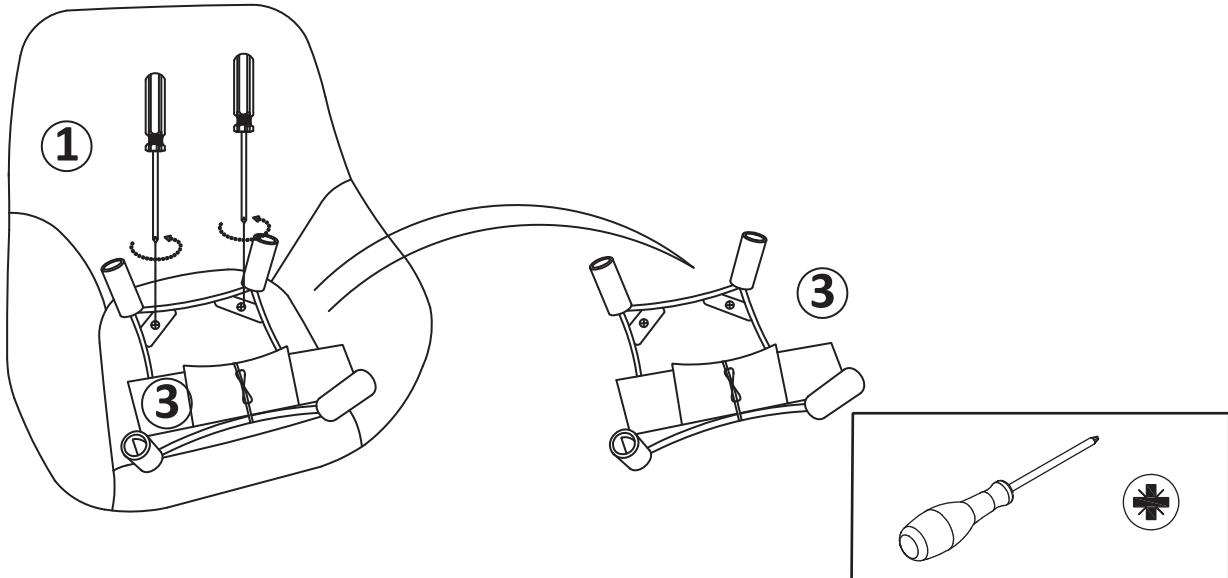
Leg (4pcs)

Please count and verify all parts before assembly .

Step 1

1. Carefully remove the Frame (3) from backrest (1) using a Phillips head screw driver.

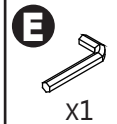
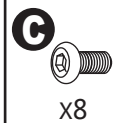
*** Please note, this hardware will not be used .**



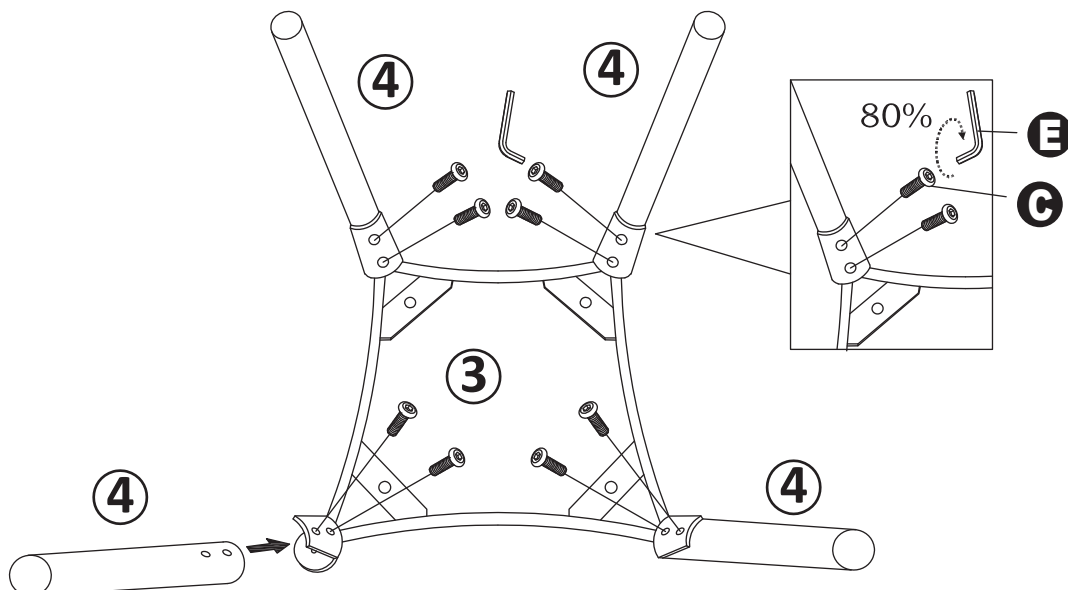
Step 2

***Assemble unit on carpet or flat surface.**

1. Screw Legs (4) into Frame (3) with Short Allen Screws (C) and Allen Wrench (E) as shown .



Do not fully tighten Screws until all have been started.



Step 5

1. Put Cushion ② onto Backrest ①.

2. Enjoy !

