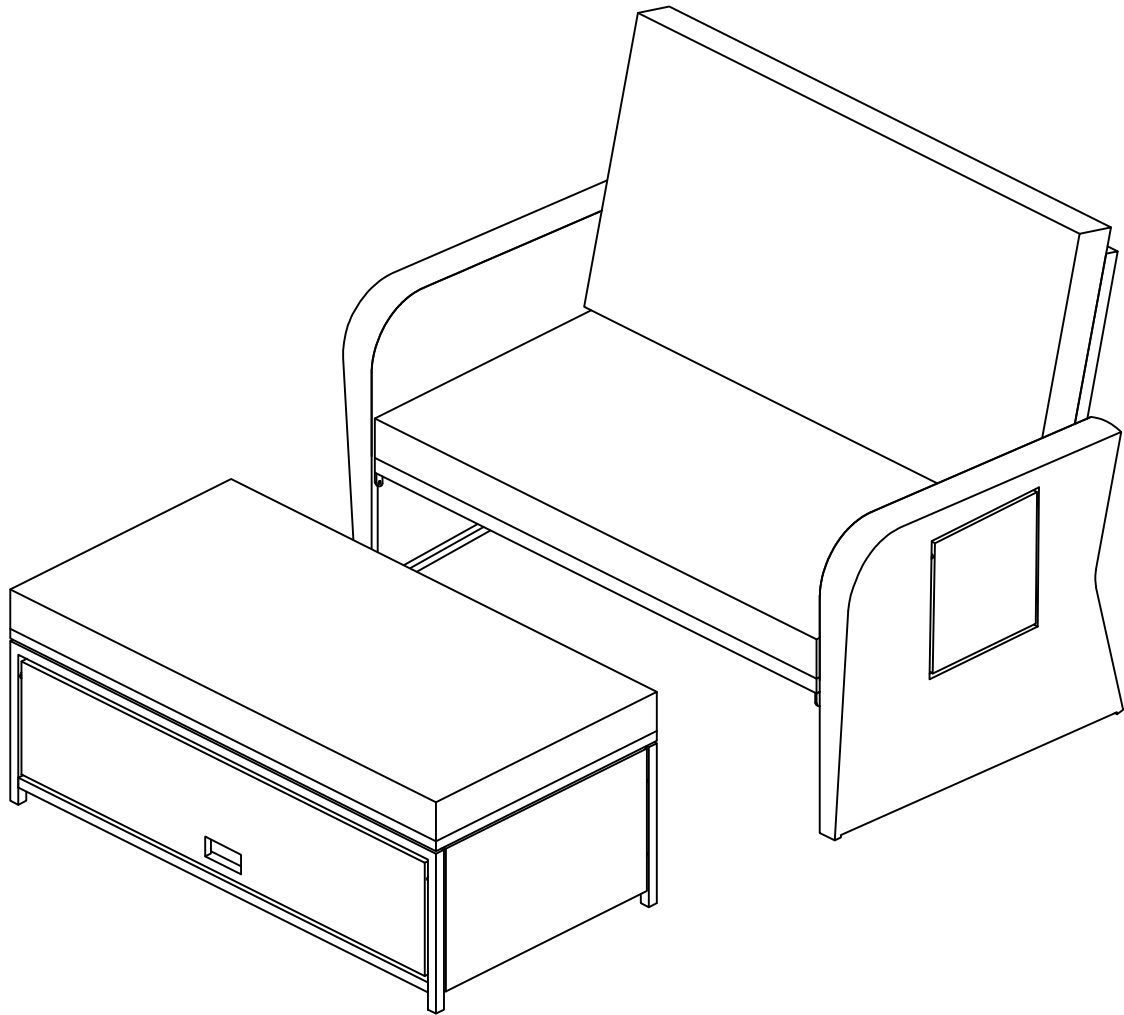


Patio Rattan Daybed



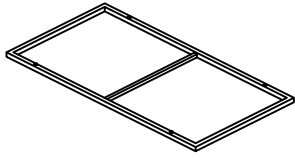
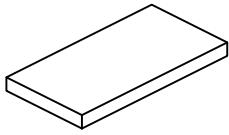
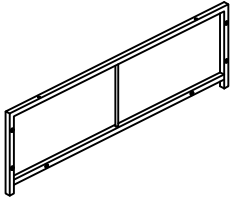
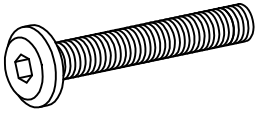
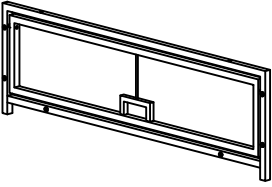
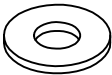
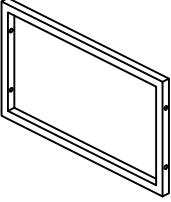

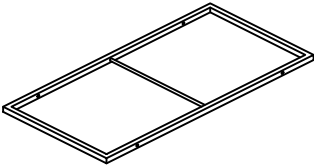
For any missing or damaging parts, hardware,
or any other problems.

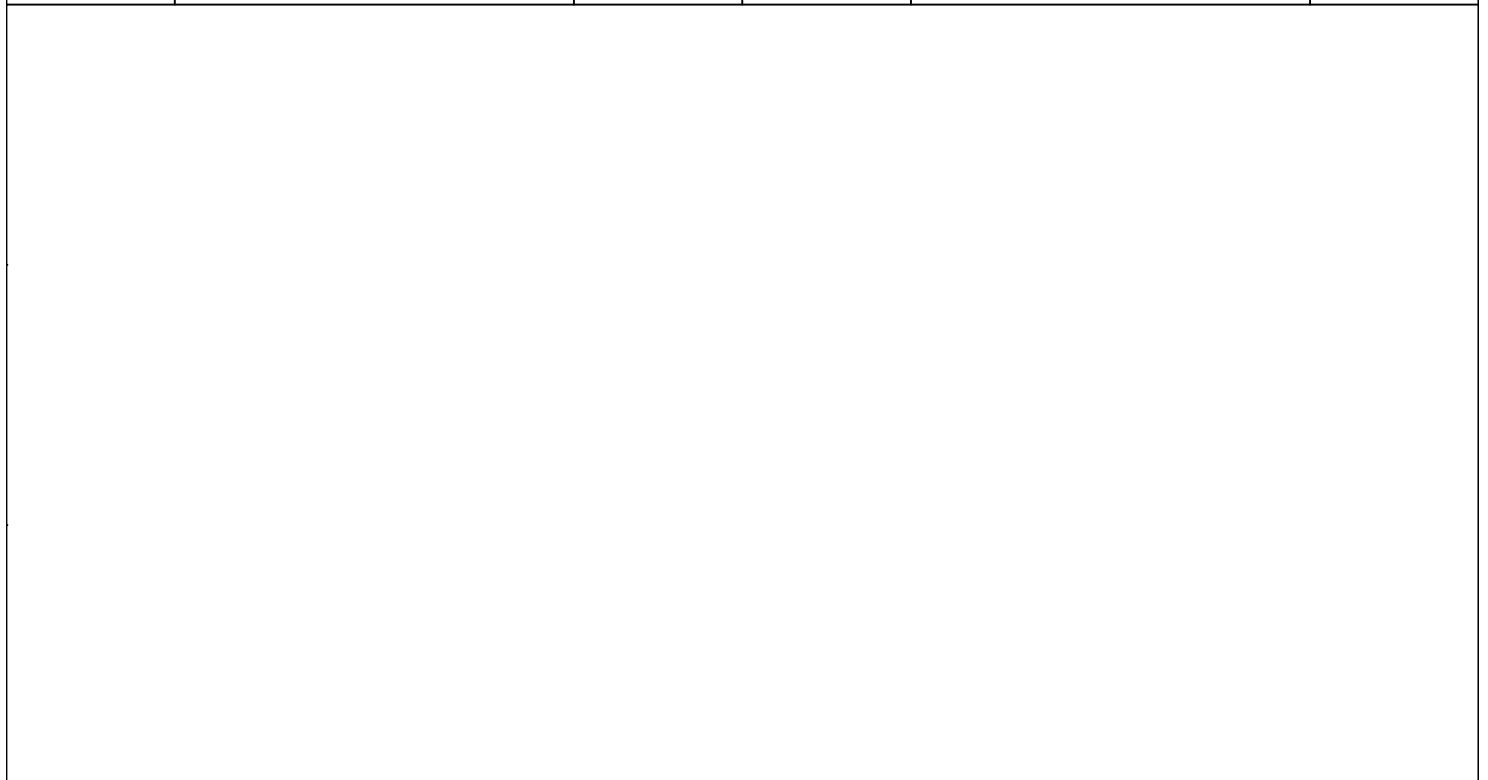
WELCOME to email us at: SERVICE@RILYSON.COM

Or 1-888-733-8169 Toll free

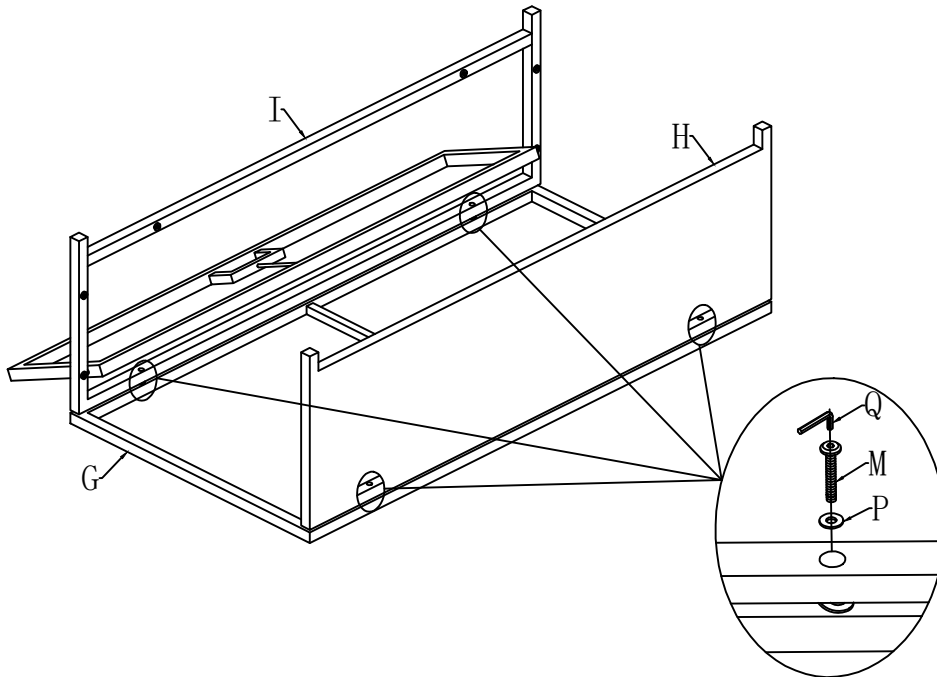
Monday-Friday 9AM - 5PM EST

Don't fully tighten all the bolts till the very end!

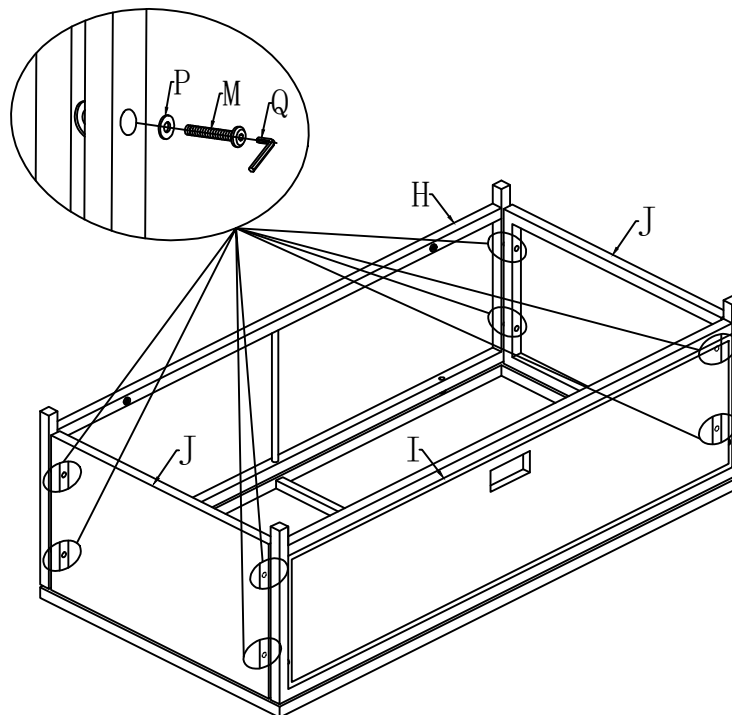
G		1	L		1
H		1	M	 M6*40mm	16
I		1	P		16
J		2	Q		1
K		1			



- ① The door on (I) needs to rotate
Attach (H) (I) to seat (G) with 4pcs bolts M and 4pcs washers P,
using Allen wrench Q

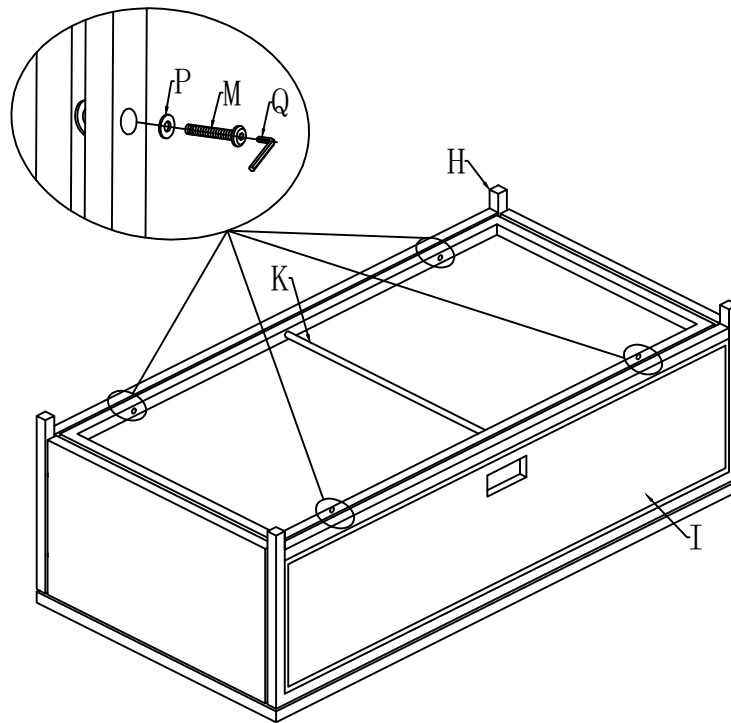


- ② Attach (J) to seat (H) (I) with 8pcs bolts M and 8pcs washers P,
using Allen wrench Q

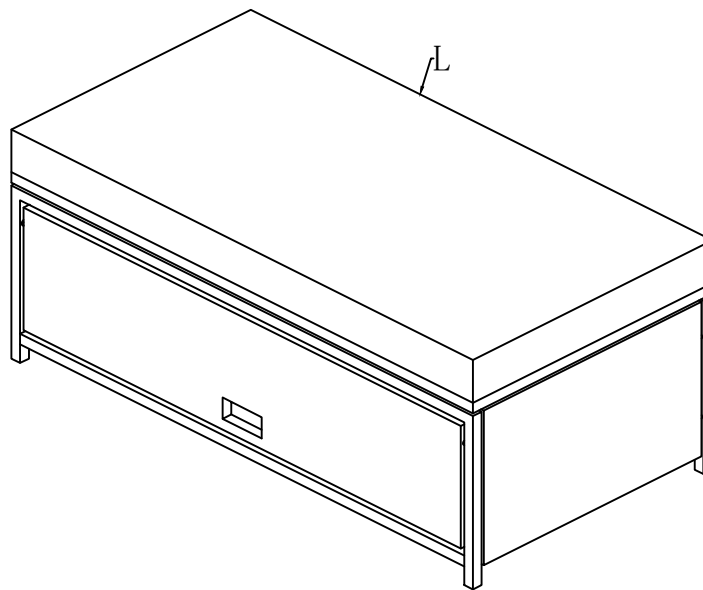


Note: Do not fully tighten any bolts until chair assembly is complete.
Failure to follow these instructions may cause the bolt holes to be
misaligned during assembly

- ③ Attach (K) to seat (H) (I) with 4pcs bolts M and 4pcs washers P, using Allen wrench Q



- ④ Put cushion (L) onto the seat



Note: Do not fully tighten any bolts until chair assembly is complete. Failure to follow these instructions may cause the bolt holes to be misaligned during assembly