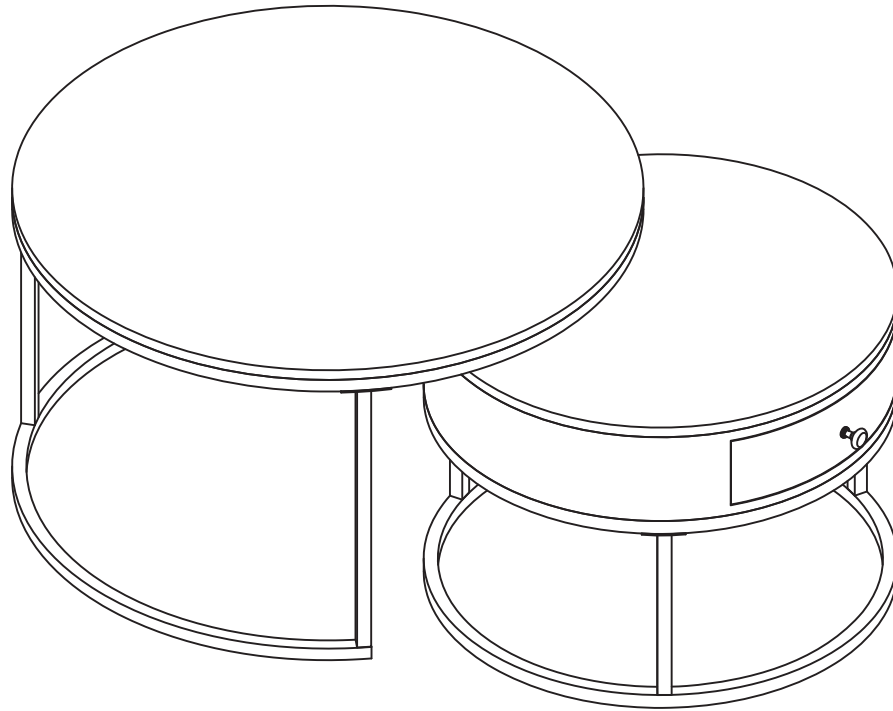


WF303612



COFFEE TABLE

When assembling the desktop, please put Styrofoam under the desktop and do not rotate or rub the desktop.

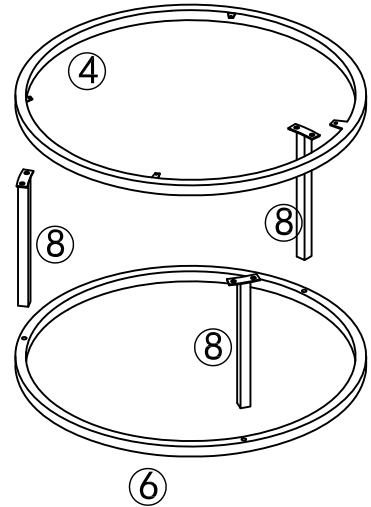
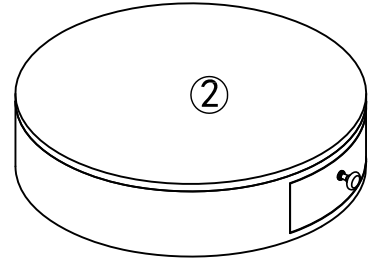
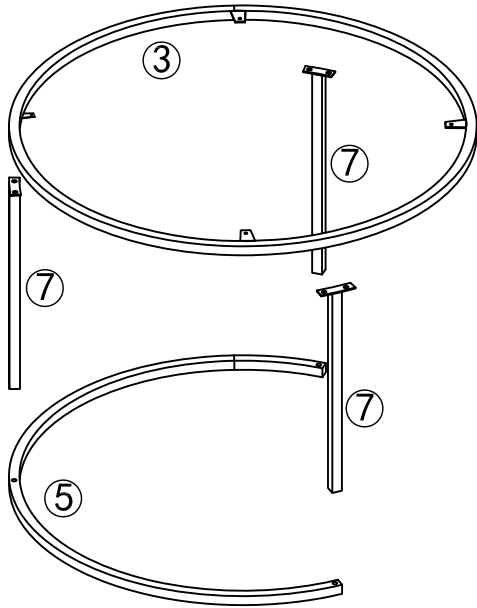
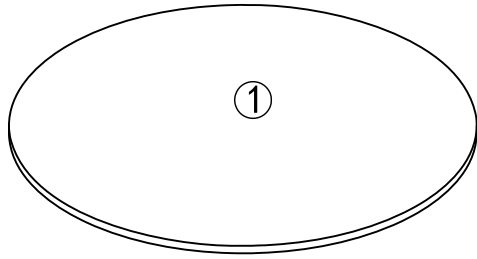
Wenn Sie die Tischplatte zusammenbauen, legen Sie bitte Styropor unter die Tischplatte und drehen oder reiben Sie die Tischplatte nicht.

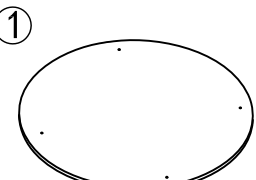
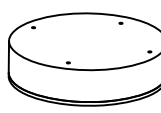
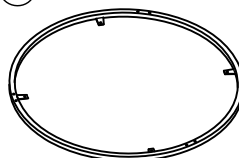
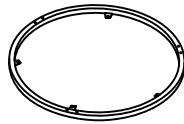








Lors de l'assemblage du bureau, veuillez mettre de la mousse de polystyrène sous le bureau et ne pas faire pivoter ou frotter le bureau.

- **Remove all fittings from the plastic bags and separate them into their groups.**
- **Keep children and animals away from the work area, small parts can suffocate if swallowed.**
- **Parts of the assembly are easier with 2 people.**
- **Make sure you have enough space to arrange the pieces before you begin.**
- **Do not stand on or put weight on the product as this may cause damage.**
- **Assemble the item as close as possible to its final position (in the same space).**
- **Mount the device on a soft, flat surface to avoid damaging the device or your floor (use the opened box of the device).**

• **Care and Maintenance**

- **Clean only with a damp cloth and mild detergent, do not use bleach or abrasives. If you have any questions about this product, please contact your supplier in time.**
- **Check from time to time whether the screws on the product are loose.**

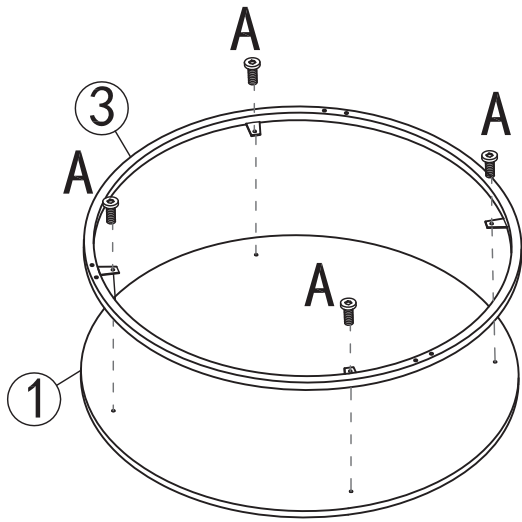



 <p>① X1PC</p>	 <p>② X1PC</p>	 <p>③ X1PC</p>	 <p>④ X1PC</p>	 <p>⑤ X1PC</p>
 <p>⑥ X1PC</p>	 <p>⑦ X3PCS</p>	 <p>⑧ X3PCS</p>	<p>A</p>  <p>M6*12 X20PCS</p>	<p>B</p>  <p>M6*40 X6PCS</p>
<p>C</p>  <p>M4 X1PC</p>	<p>D</p>  <p>X8PCS</p>			

STEP1:

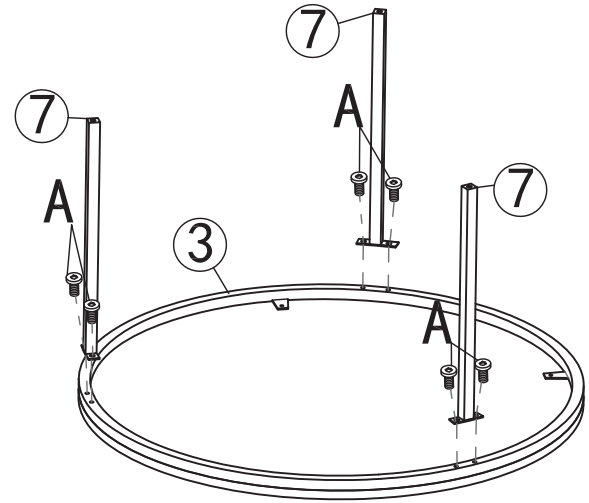
Attention! Pad the bottom with polystyrene to avoid scratches


Gebt acht! Mit polyethylen vorsichtig den fuß heben, um kratzer zu vermeiden



A	X4PCS
	
M6*12mm	

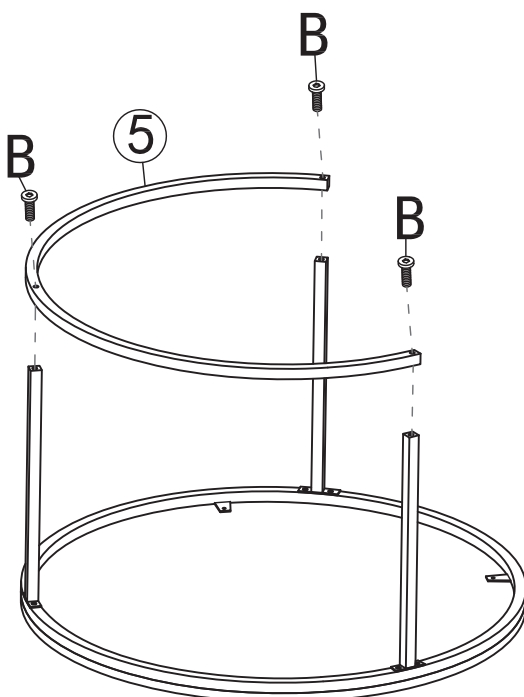
STEP2:




A	X6PCS
	
M6*12mm	

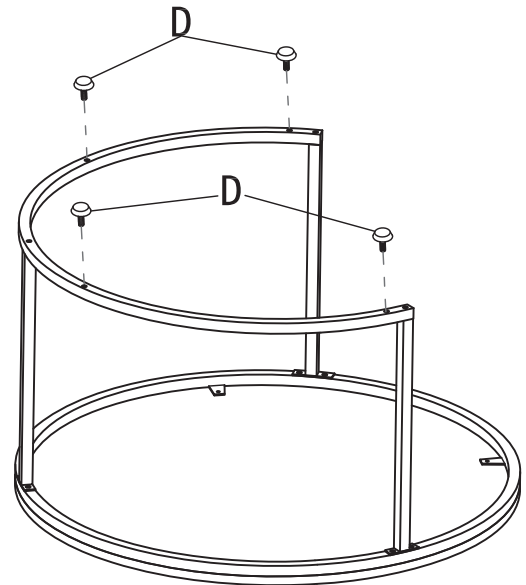
STEP3:


Please rotate to the exact position for assembly
Bitte für die Montage in die exakte Position drehen.



B	X3PCS
	
M6*40mm	

STEP4:

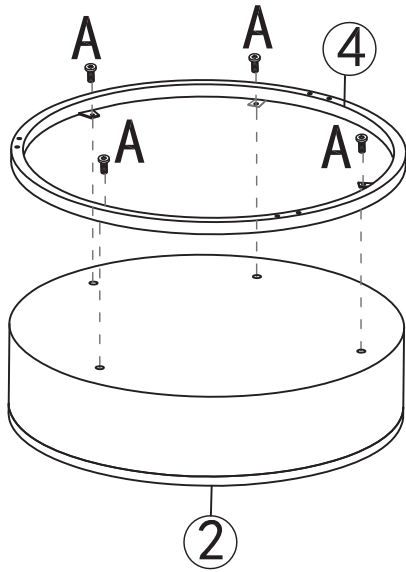



D	X4PCS
	

STEP5:

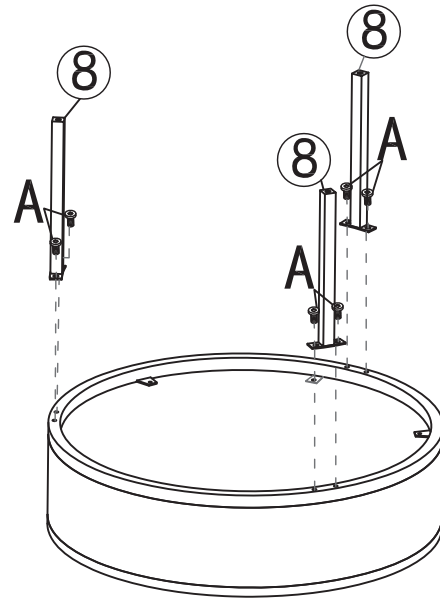
Attention! Pad the bottom with polystyrene to avoid scratches


Gebt acht! Mit polyethylen vorsichtig den fuß heben, um kratzer zu vermeiden



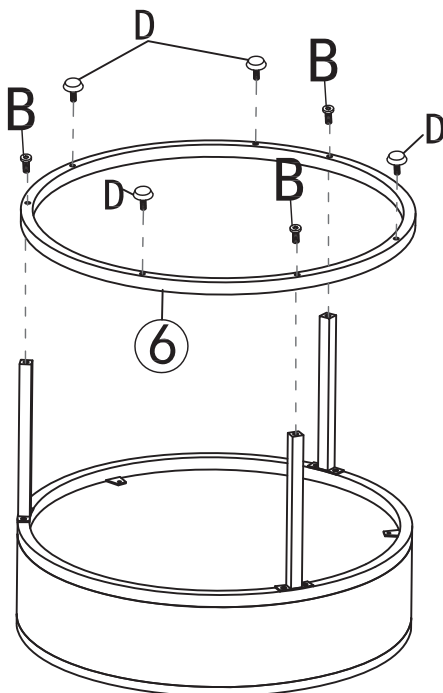
A	X4PCS
	
M6*12mm	



STEP6:



A	X6PCS
	
M6*12mm	

STEP7:



D	X4PCS	B	X3PCS
			
M6*40mm			

STEP8:

