

ASSEMBLY INSTRUCTIONS

IMPORTANT : READ THESE INSTRUCTIONS CAREFULLY BEFORE ATTEMPTING TO ASSEMBLE OR USE YOUR PRODUCT.

PLEASE KEEP THESE INSTRUCTIONS FOR FUTURE REFERENCE.

ASSEMBLY:

Assembly should be carried out with this item laying flat, not standing upright.

Assemble on a soft, clean surface to prevent damages.

To erase the numbers printed on the pieces, use the rubber inside the accessories pack.

HEALTH & SAFETY:

DO NOT use this product if any parts are missing, damaged or worn.

DO NOT use this product unless all fixings are secured.

Always use on a level, even surface.

CARE & MAINTENANCE:

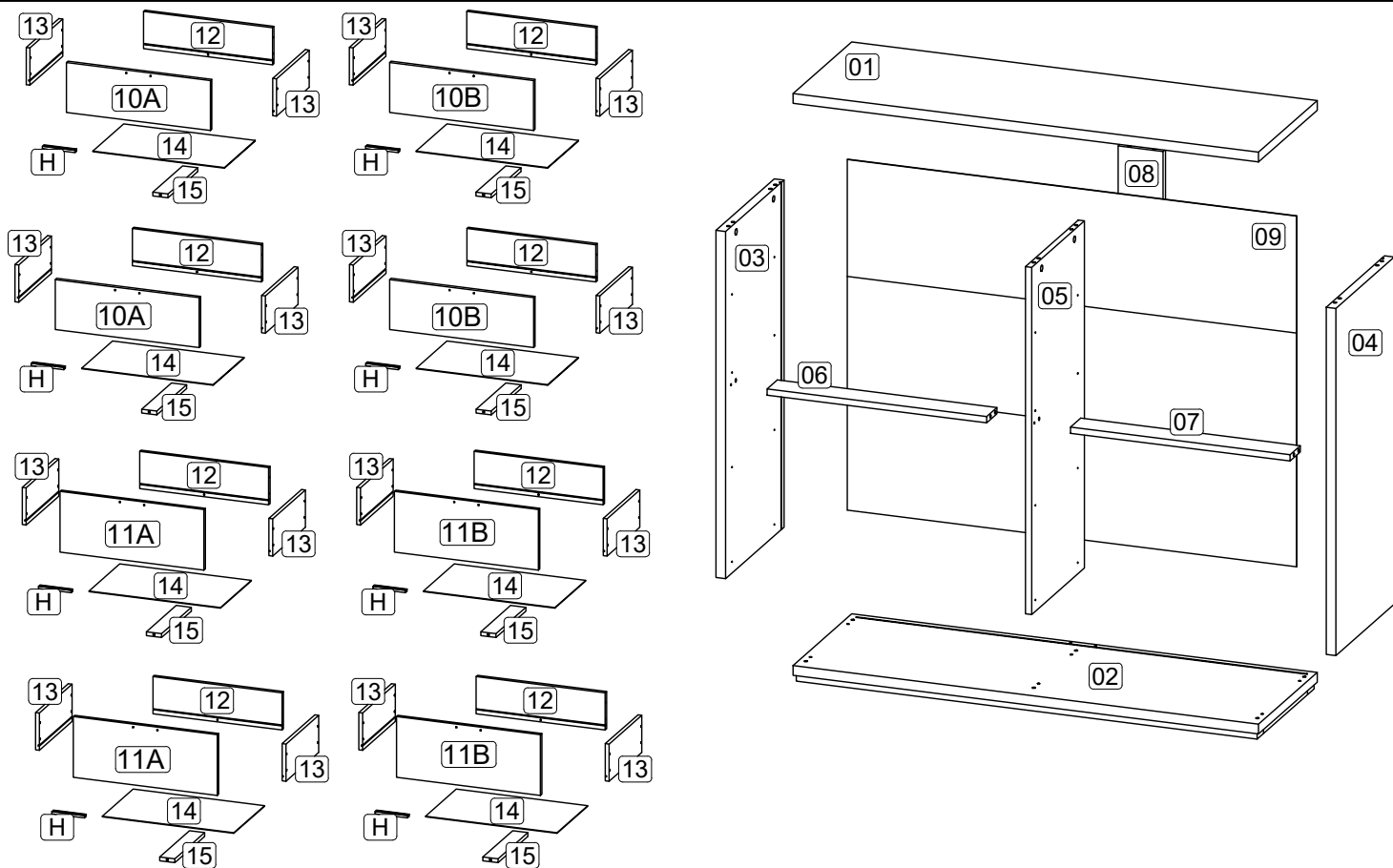
Periodically check all screws & fixings to ensure they are secure.

DO NOT push this product as this will cause damage.

Always lift this product with two people to reposition.

Keep any sharp objects away from this product.





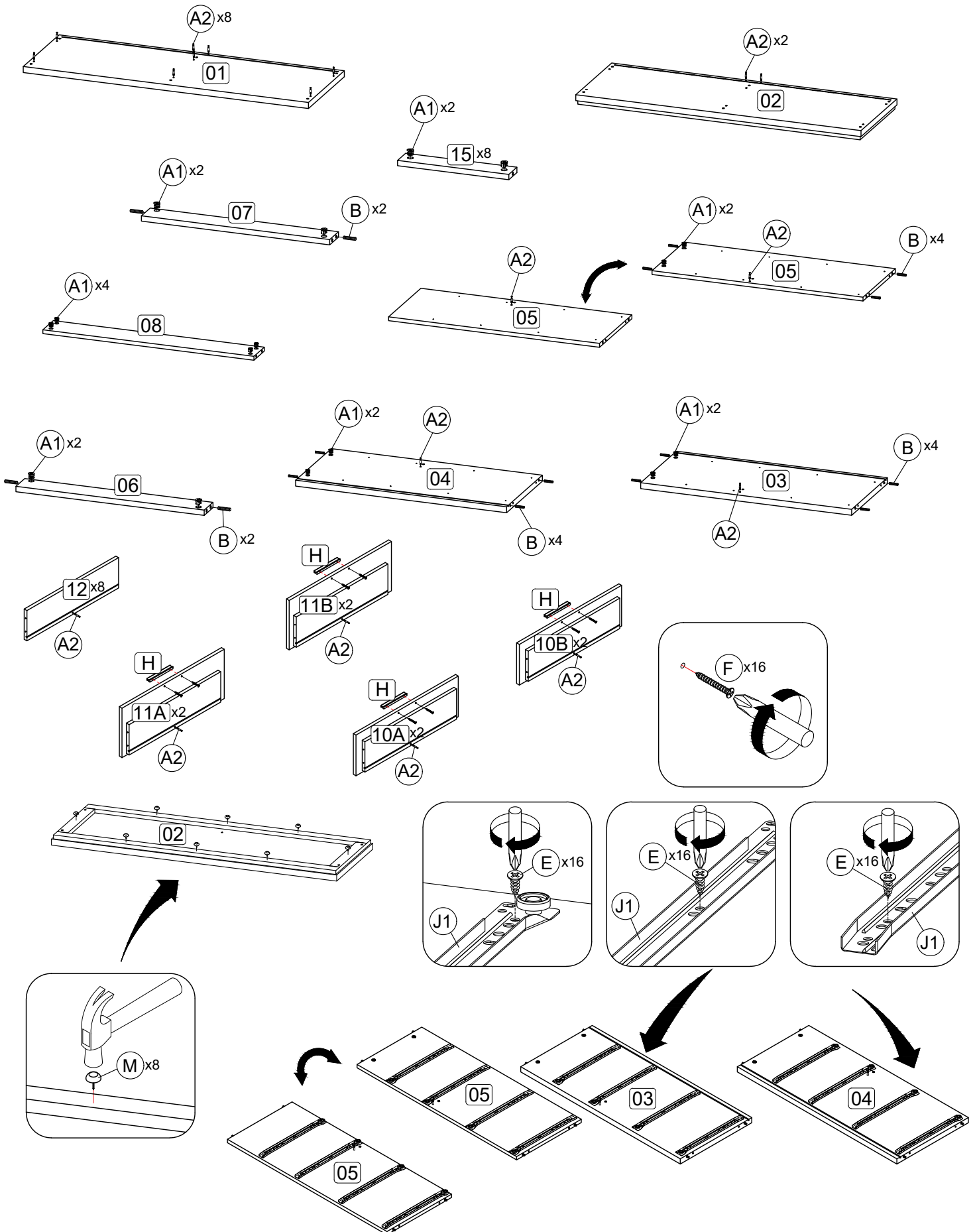
Parts List				Hardware List (BOX 3)			
Part	Description	Box	Qty	Part	Description	Qty	
01	Top panel	1	1	A1	Cam lock	30	
02	Bottom panel	2	1	A2	Minifix screw	30	
03	Side panel (Left)	3	1	A3	Plastic cap	30	
04	Side panel (Right)	3	1	B	M8 x 30mm Wood Dowel	16	
05	Center panel	3	1	C	M6 x 60mm CSK Cap Wood screw	6	
06	Middle bone (Left)	2	1	D	Allen key M4	1	
07	Middle bone (Right)	2	1	E	M3.5 x 16mm C.B Screw	98	
08	Back bone	2	1	F	M4 x 25mm C.B Screw	16	
09	Back panel	1	1	G	M4 x 38mm C.B Screw	64	
10A	Drawer front (Up Left)	1	2	H	PCV Handle 7050.96	8	
10B	Drawer front (Up Right)	1	2	I1	Stud 192	8	
11A	Drawer front (Down Left)	3	2	I2	Stud 192 screw	8	
11B	Drawer front (Down Right)	3	2	J1	14" Drawer slide (Left / Right)	16	
12	Drawer back	1	4	J2	14" Drawer slide (Left / Right)	16	
		2	4	K	8" x 1" PP tape	2	
13	Drawer side	2	16	L	Wall plug	-	
14	Drawer bottom	1	8	M	5/8 PCV Nail Leg	8	
15	Drawer bone	2	8				

**** You will need a small mallet and a screwdriver for assembly.**

**** Some screws and wooden dowel may remain.**

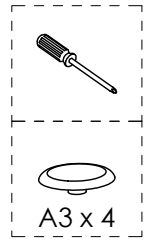
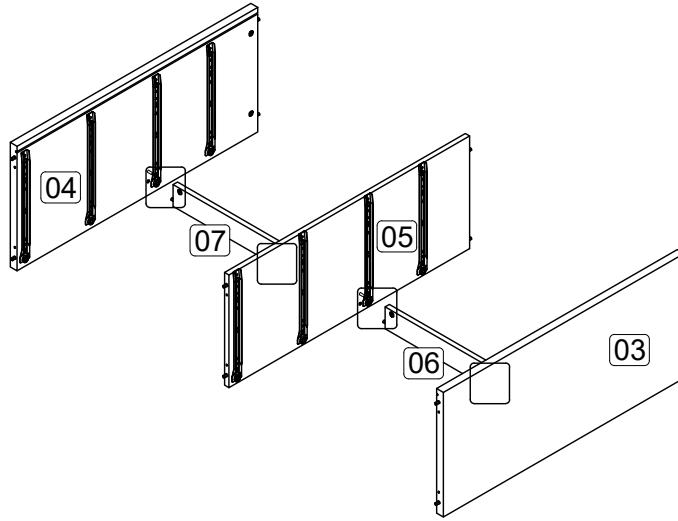
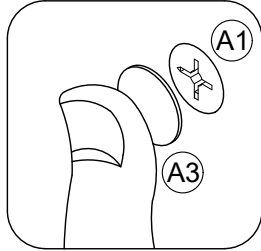
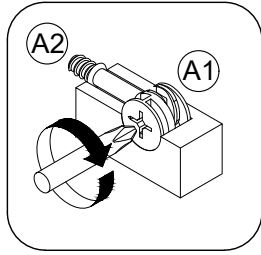
**** Note : To secure the item to the wall, hardware G (2 pcs) and L (2 pcs) are not provided.**

Step 1: Prepare these parts for assembly using hardware parts A1, A2, B, D, E, F, H, J1 and M.
DO NOT use any power tools as this may damage the frame and will invalidate any claim.



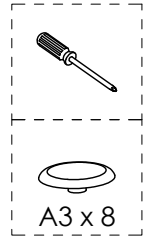
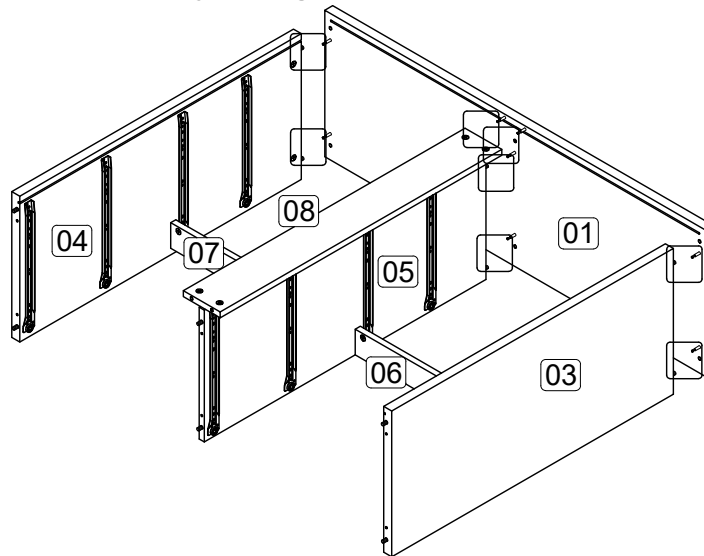
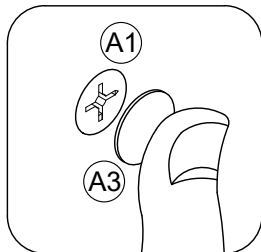
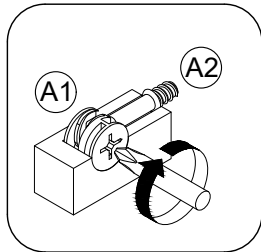
Step 2: Attach middle bone (6) to side panel (3) and center panel (5), and attach middle bone (7) to side panel (4) and center panel (5) using hardware A1 and A2 with a screwdriver (not provided).

DO NOT use any power tools as this may damage the frame and will invalidate any claim.



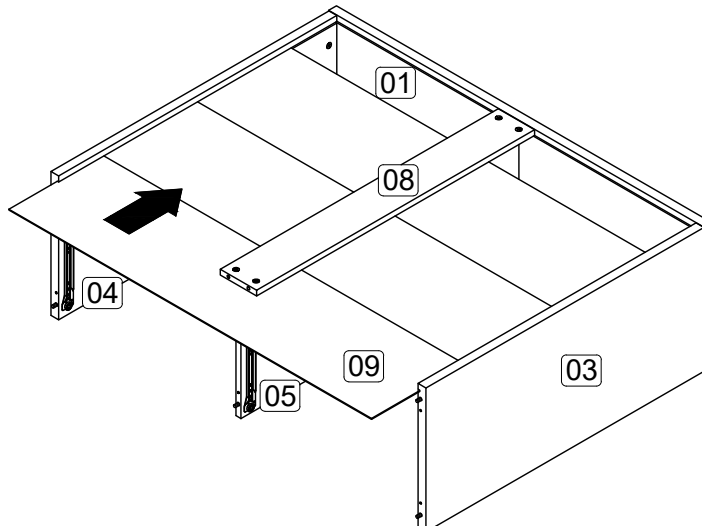
Step 3: Attach side panel (3), (4), center panel (5) and back bone (8) to top panel (1) using hardware A1 and A2 with a screwdriver (not provided).

DO NOT use any power tools as this may damage the frame and will invalidate any claim.

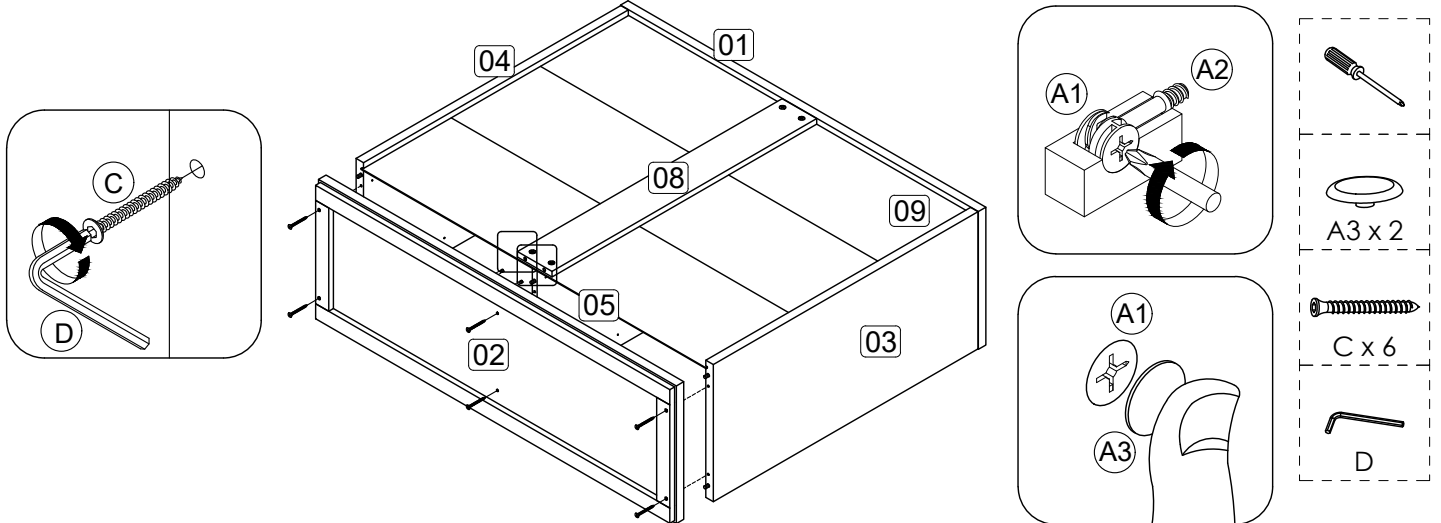


Step 4: Insert back panel (9) along the slot.

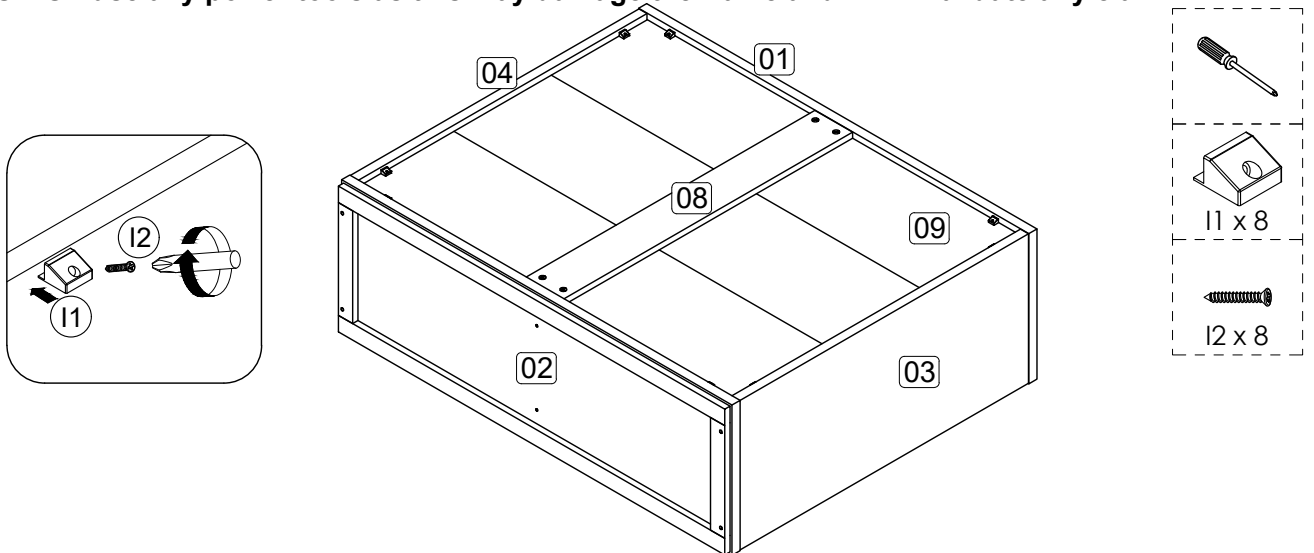
DO NOT use any power tools as this may damage the frame and will invalidate any claim.



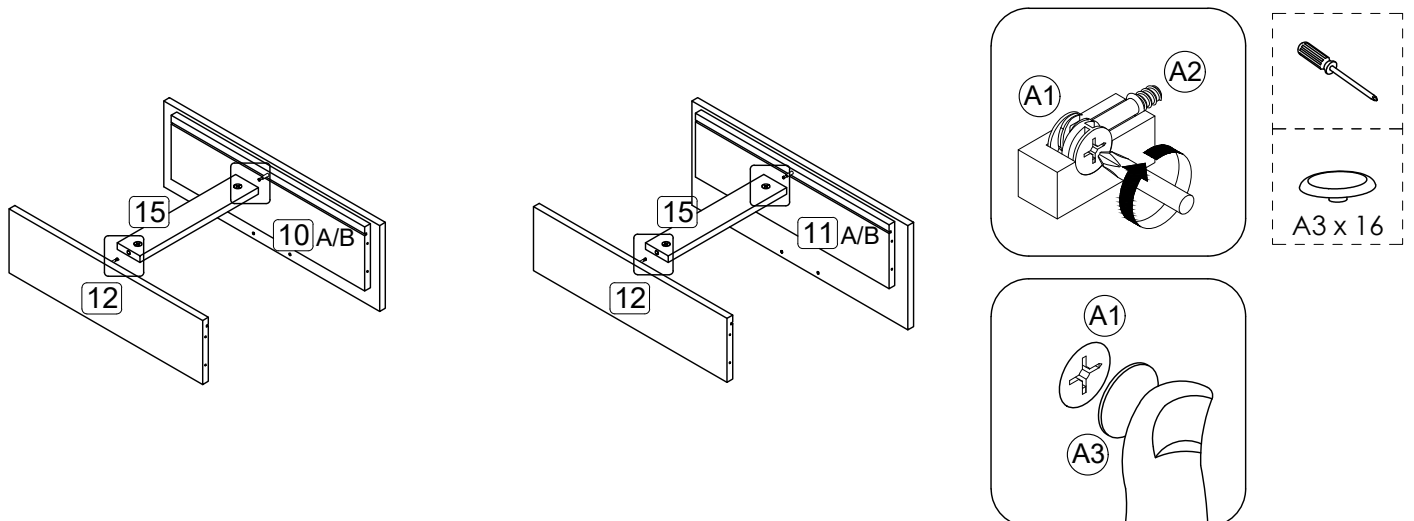
Step 5: Attach bottom panel (2) to side panel (3), (4) and center panel (5) using hardware C and D.
 Attach bottom panel (2) to back bone (8) using hardware A1 and A2.
DO NOT use any power tools as this may damage the frame and will invalidate any claim.



Step 6: Attach hardware I1 into top panel (1), bottom panel (2), side panel (3) and (4) using hardware I2 with a screwdriver (not provided).
DO NOT use any power tools as this may damage the frame and will invalidate any claim.



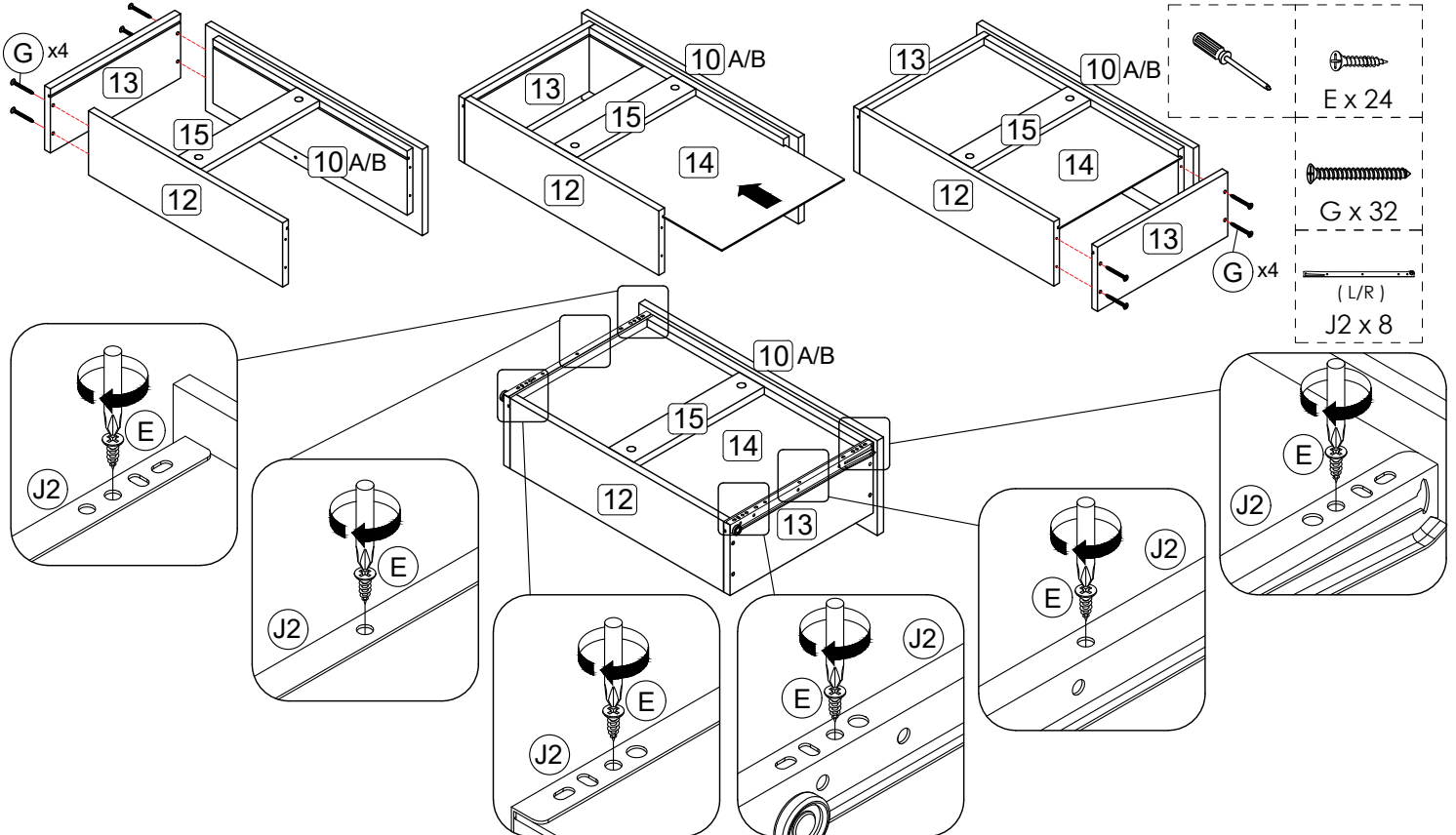
Step 7: Attach drawer bone (15) to drawer front (10 A/B) and drawer back (12) and another drawer bone (15) to drawer front (11 A/B) and drawer back (12) using hardware A1 and A2 with a screwdriver (not provided).
 In this step only show one of the drawers.
DO NOT use any power tools as this may damage the frame and will invalidate any claim.



Step 8: Assemble the drawer components using hardware E, G and J2.

In this step only show one of the drawers.

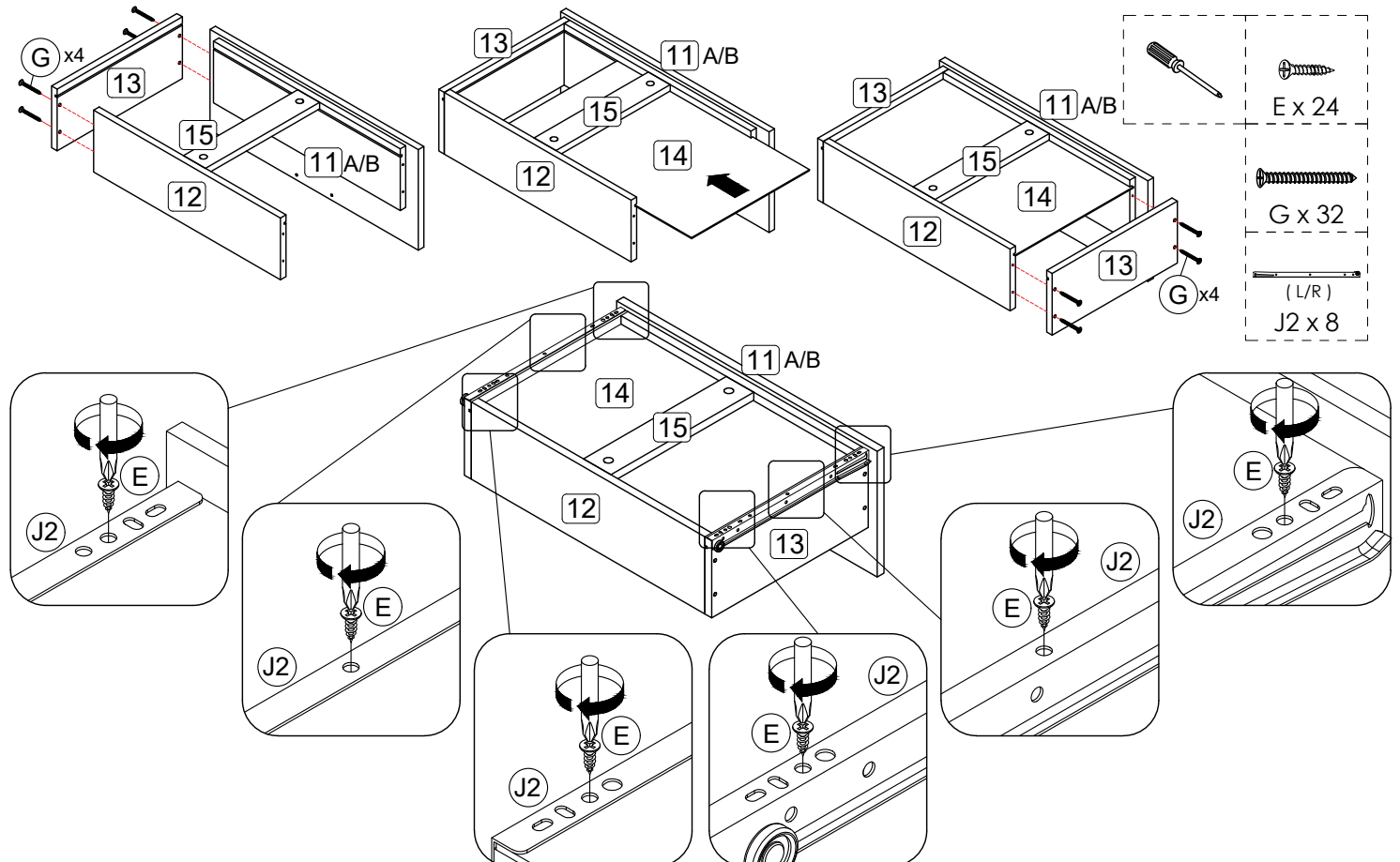
DO NOT use any power tools as this may damage the frame and will invalidate any claim.



Step 9: Assemble the drawer components using hardware E, G and J2.

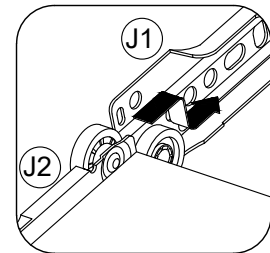
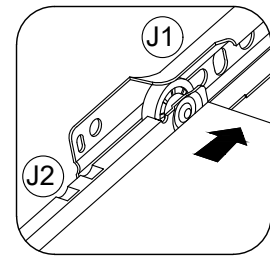
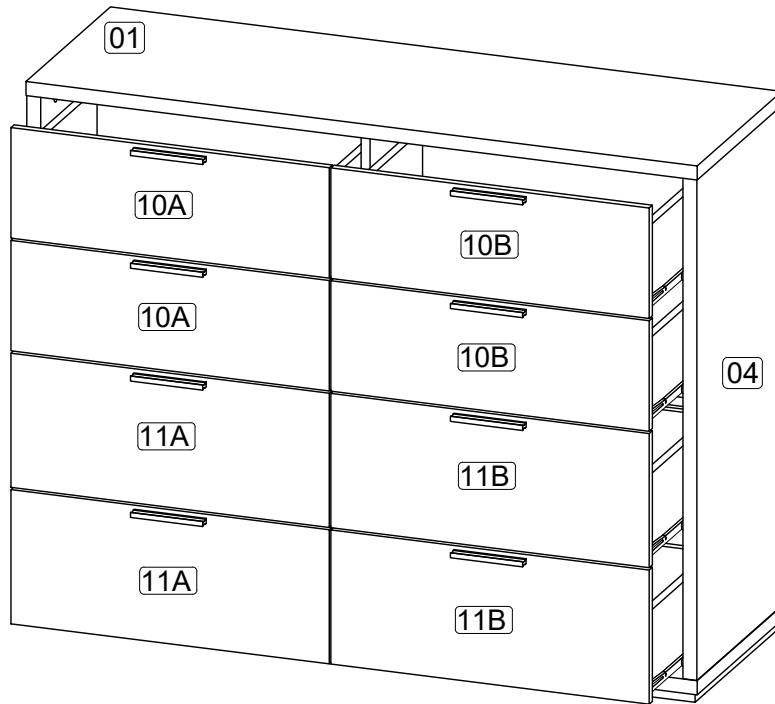
In this step only show one of the drawers.

DO NOT use any power tools as this may damage the frame and will invalidate any claim.



Step 10: Assemble the drawer in place along the drawer slides.

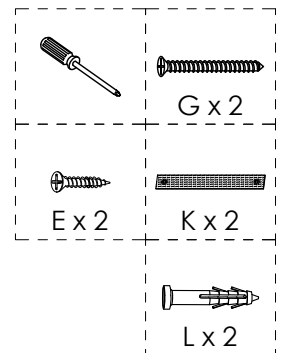
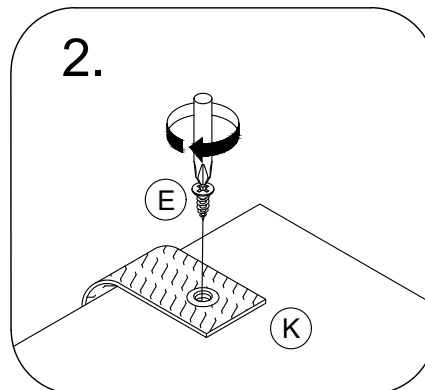
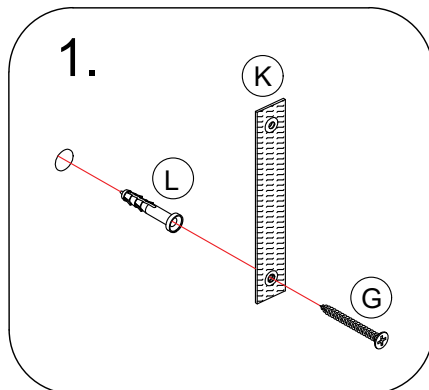
DO NOT use any power tools as this may damage the frame and will invalidate any claim.



Step 11: To secure the item to the wall use hardware G, K and L using a screwdriver (not provided).

Then attach hardware part K to top panel (1) using hardware E with a screwdriver (not provided).

DO NOT use any power tools as this may damage the frame and will invalidate any claim.



PLEASE NOTE that wall fixings are not supplied as different wall materials require different fixing devices. You must use fixings devices suitable for the type of wall you intend to mount product to. Ensure the head of any screw used has a diameter greater than the mounting hole and the fixing is safe and secure before use.