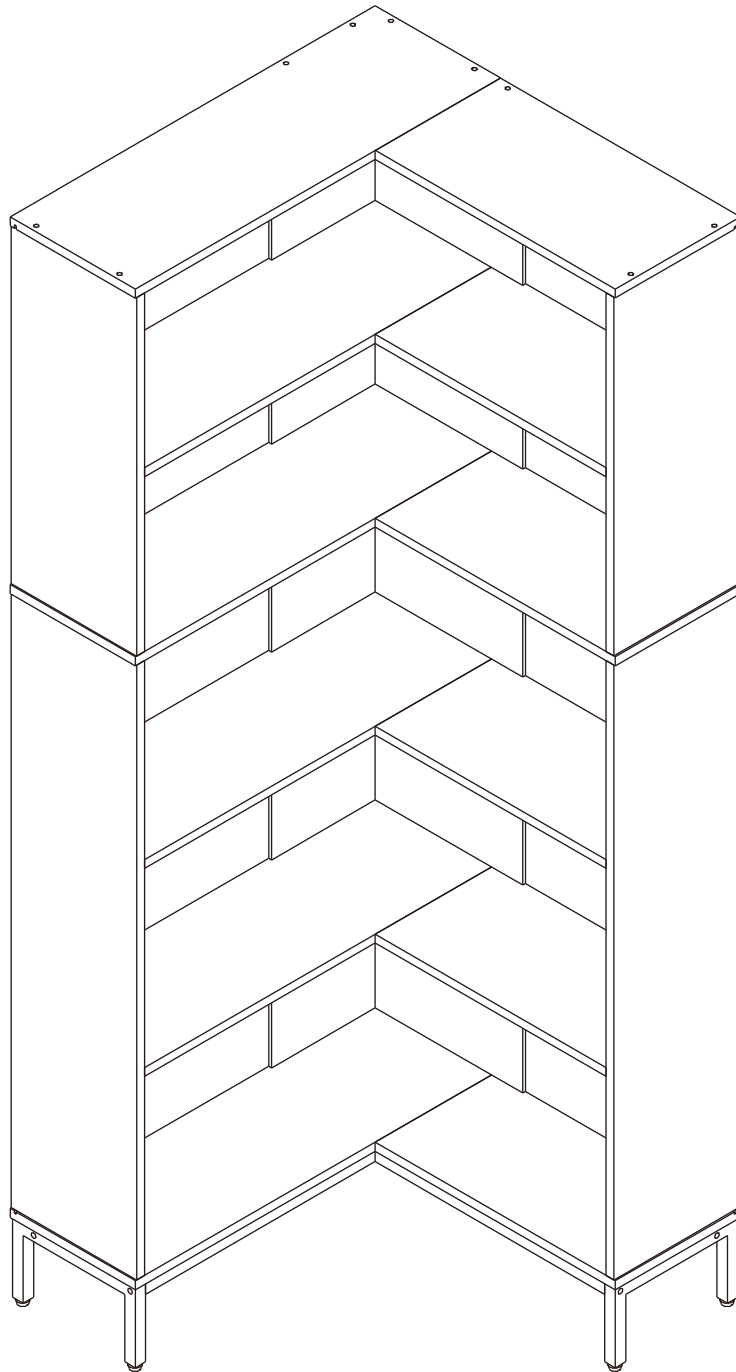


Assembly Instructions



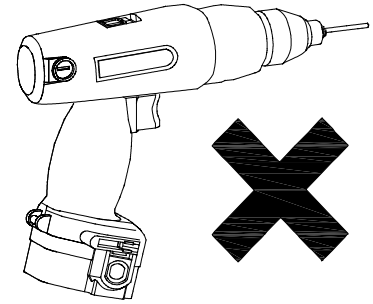
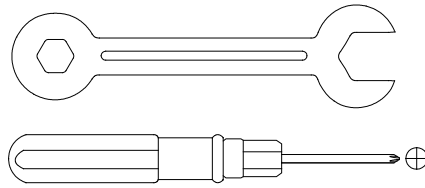
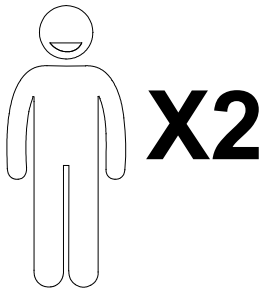
Contact Us

We're here to help you.

Your satisfaction is our top priority. If you encounter any issues with this product, such as missing or damaged parts, we're here to help. Please retain the original packaging and take photos of the packaging and the product, then contact us as soon as possible.

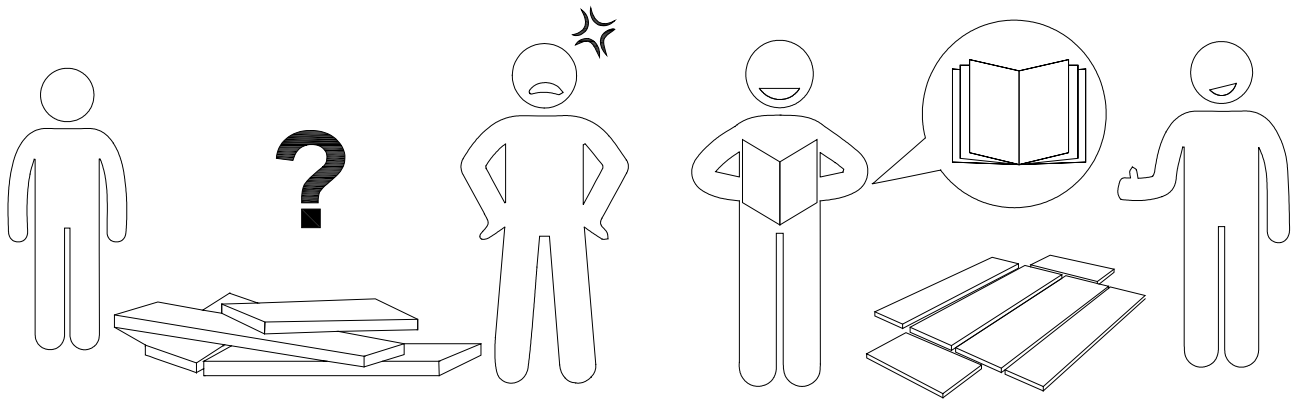
Warm Tips

1. Carefully read these instructions and keep them for future reference.
2. Check the parts list and confirm everything's there before starting assembly.
3. When assembling, put all parts on a soft, smooth surface like a carpet to avoid scratches.
4. Don't fully tighten screws until all parts are confirmed in place to avoid misalignment.



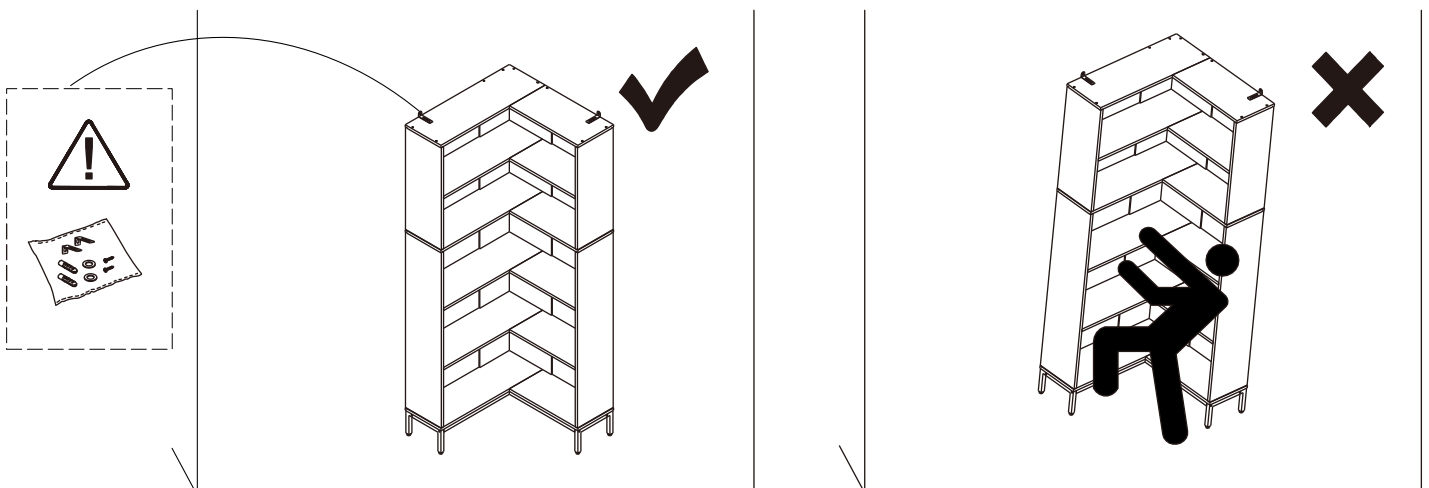
We recommend using hand tools for assembly.

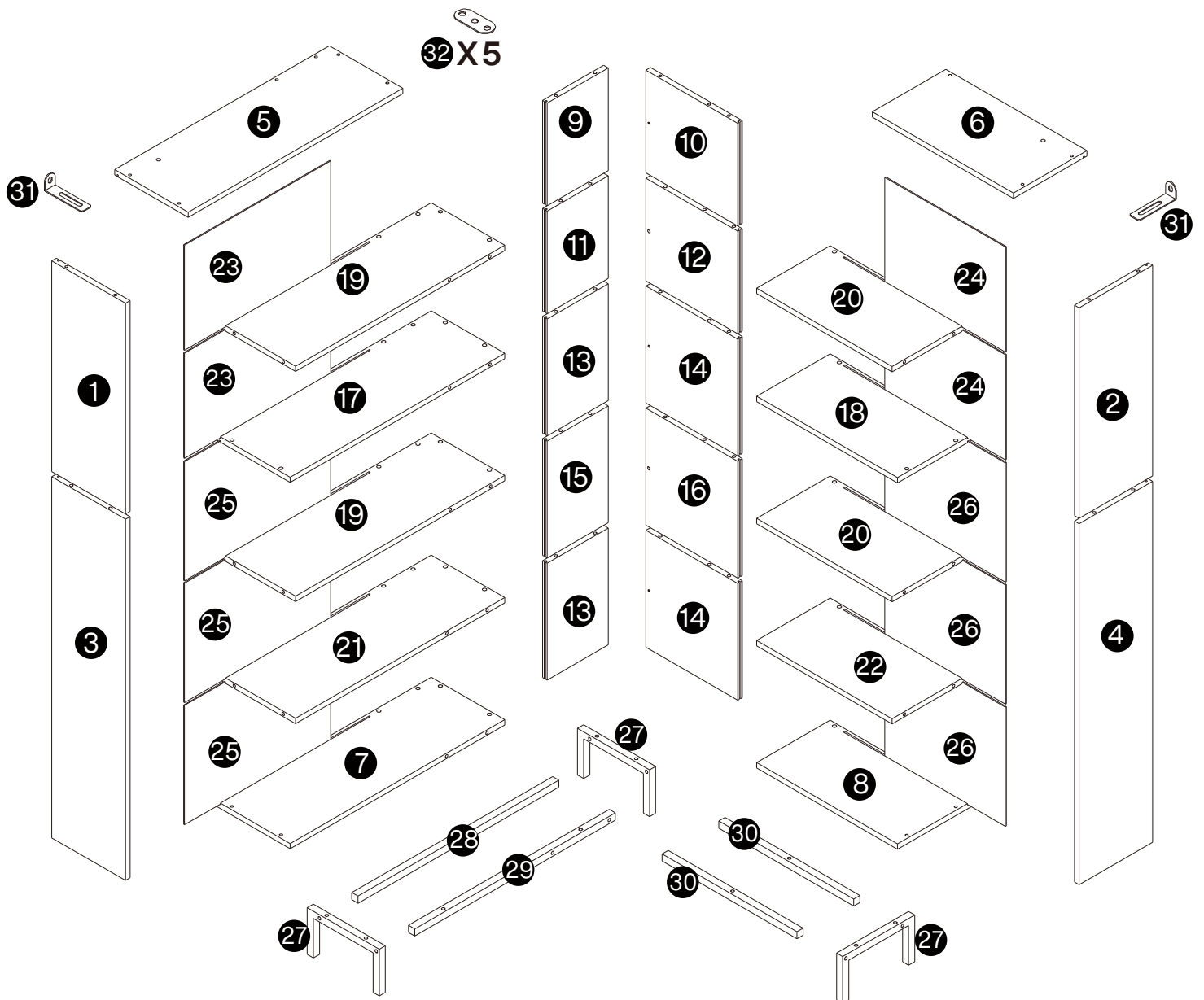
If an electric screwdriver is used, reduce power and torque to avoid damage to the product.



Install the Anti-Tip Straps

Using the anti-tip straps can reduce the risk of tipping over, but can not eliminate it.



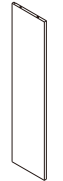

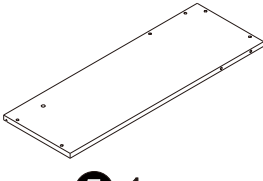
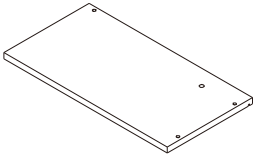
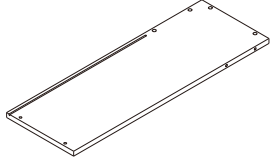
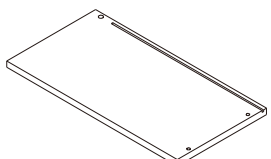
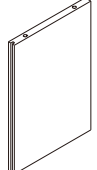
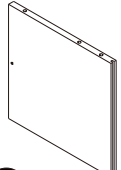
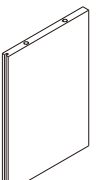
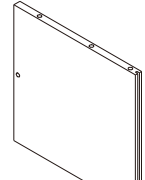

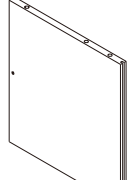
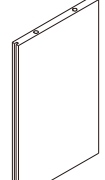
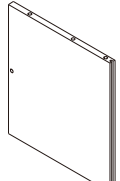
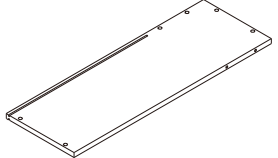
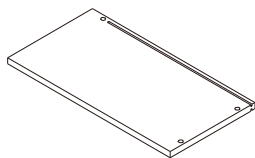
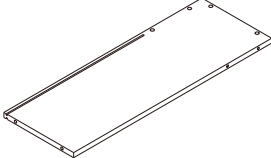
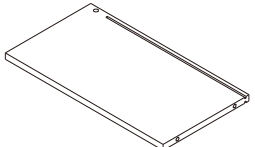
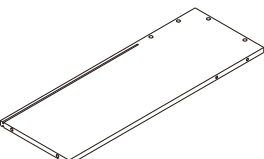
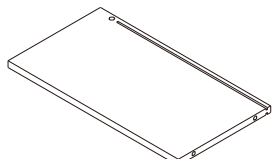
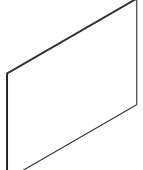
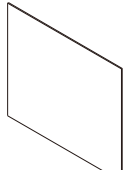
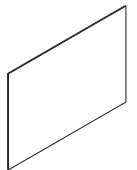
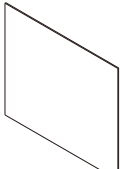
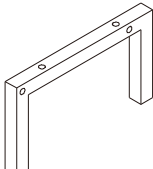
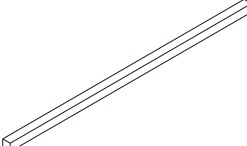
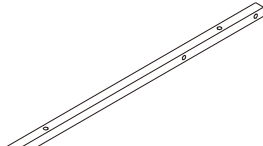
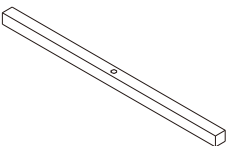
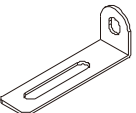
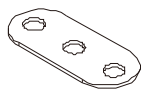




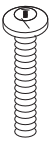








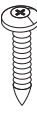
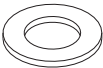

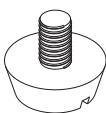
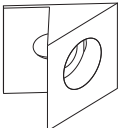
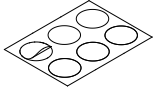

⚠ Caution

Make sure all parts are included. Most board parts are labeled or stamped on the raw edge. Contact us for a free replacement if you encounter any damaged or missing parts.

Parts List

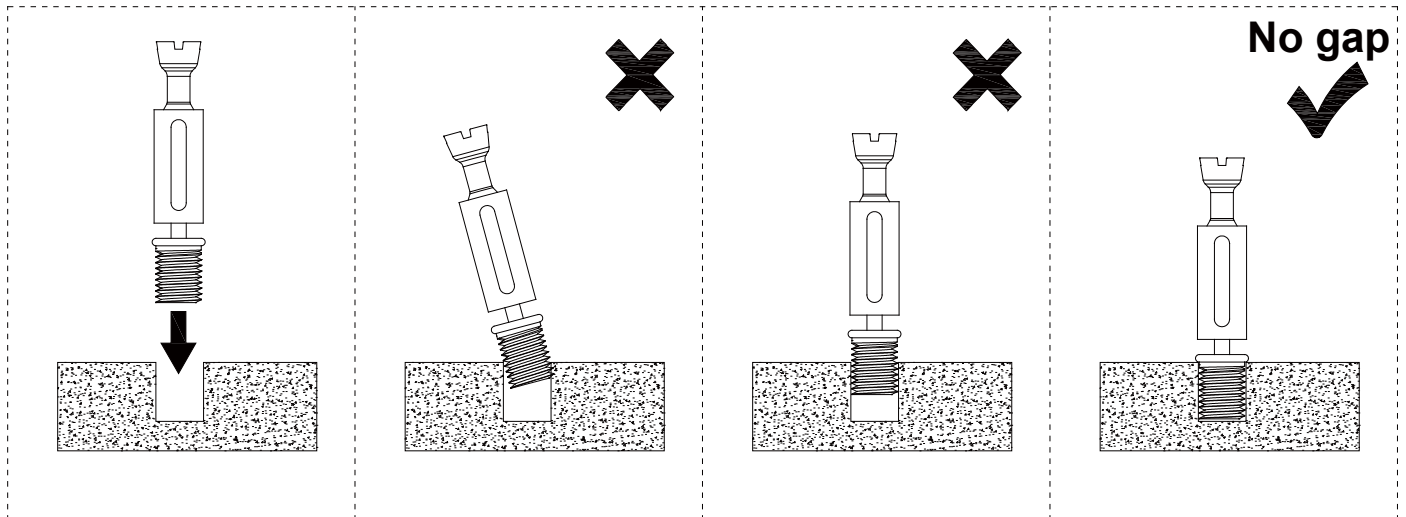
 1 1 pc	 2 1 pc	 3 1 pc	 4 1 pc	 5 1pc
 6 1 pc	 7 1 pc	 8 1 pc	 9 1 pc	 10 1 pc
 11 1 pc	 12 1 pc	 13 2 pcs	 14 2 pcs	 15 1 pc
 16 1 pc	 17 1 pc	 18 1 pc	 19 2 pcs	 20 2 pcs
 21 1 pc	 22 1 pc	 23 2 pcs	 24 2 pcs	 25 3 pcs
 26 3 pcs	 27 3 pcs	 28 1 pc	 29 1 pc	 30 2 pcs
 31 2 pcs	 32 5 pcs			

Hardware List

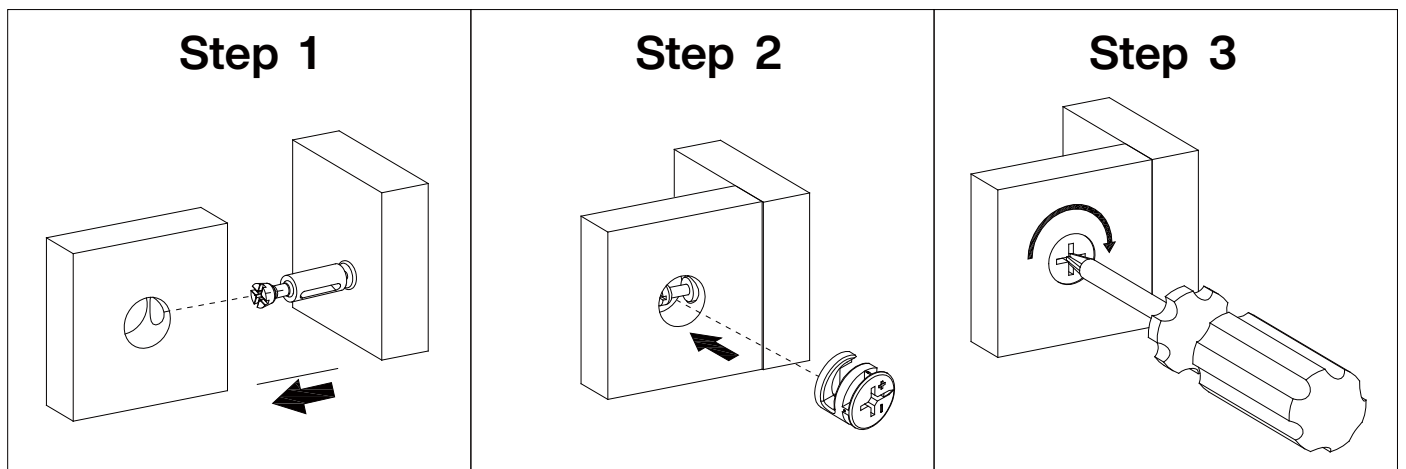
 <p>M6x40mm A 13PCS</p>	 <p>M6x35mm B 8PCS</p>	 <p>M6x30mm C 10PCS</p>	 <p>M6x10mm D 12PCS</p>	 <p>M5x38mm E 5PCS</p>
 <p>M6x40mm F 65PCS</p>	 <p>M4x24.5mm G 65PCS</p>	 <p>Ø3.5x14mm H 40PCS</p>	 <p>Ø8x30mm I 12PCS</p>	 <p>M4x24.5mm J 2PCS</p>
 <p>K 2PCS</p>	 <p>L 2PCS</p>	 <p>M 6PCS</p>	 <p>N 40PCS</p>	 <p>O 16PCS</p>
 <p>P 1PC</p>				

Installation of Cams and Pins

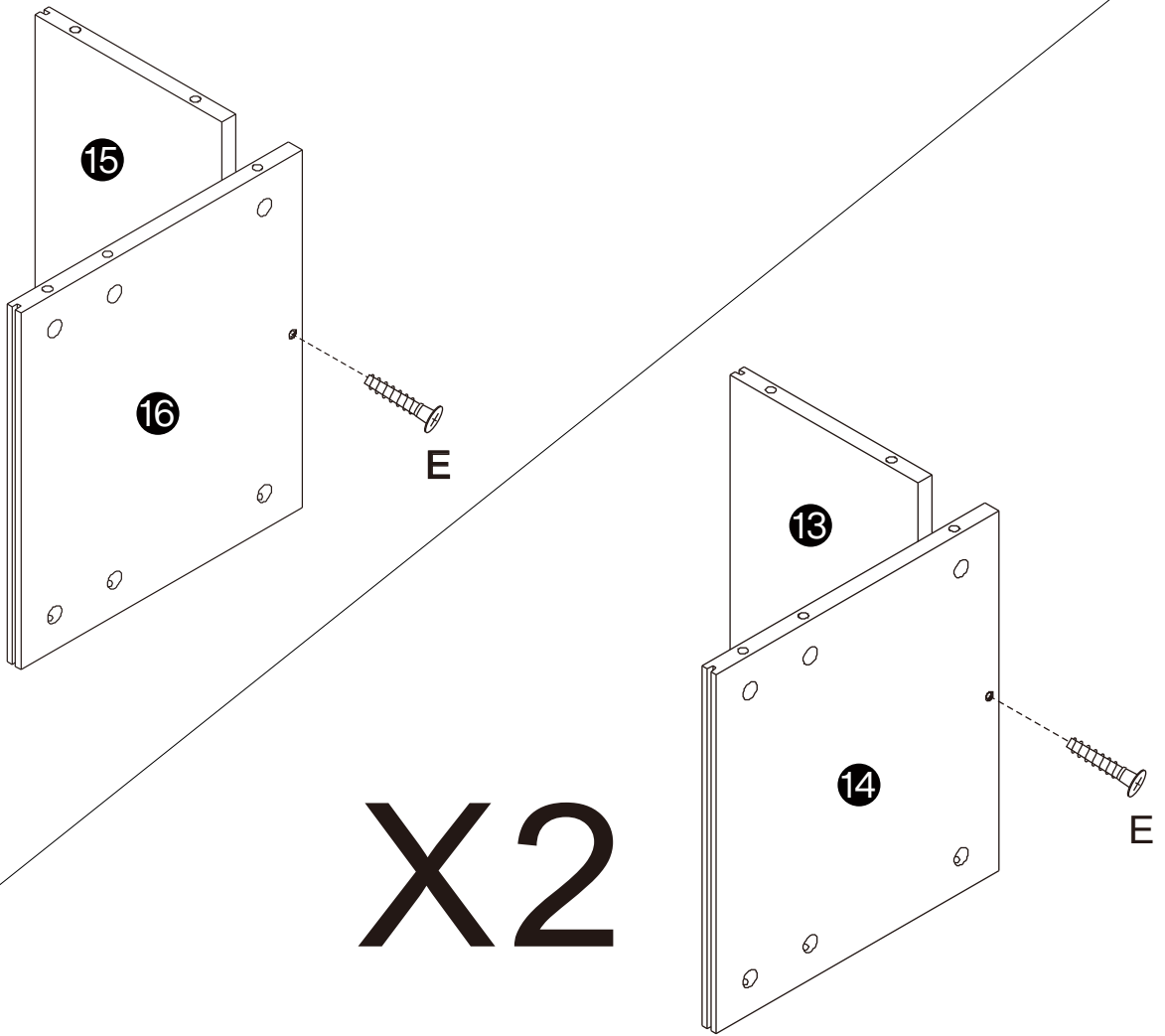
Read each step carefully before starting. Each step of instruction should be performed in the correct order. If these steps are not followed in sequence, assembly difficulties may occur.



Screw the pin into the hole. Set the cams correctly by aligning the head of the cams with the lock pins. Lock the cam by turning the cam head with a screwdriver until it is tightened. Please do not use an electric screwdriver to assemble the unit.



1

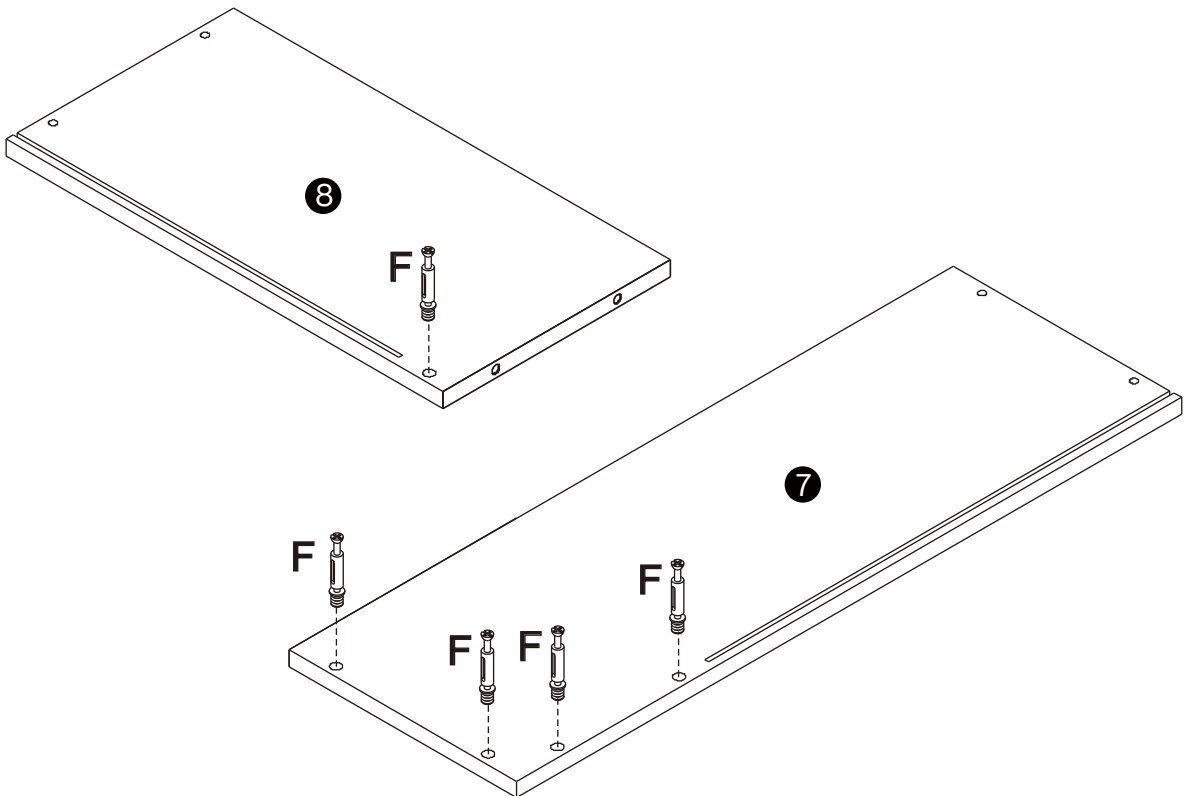


E

3PCS

X2

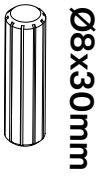
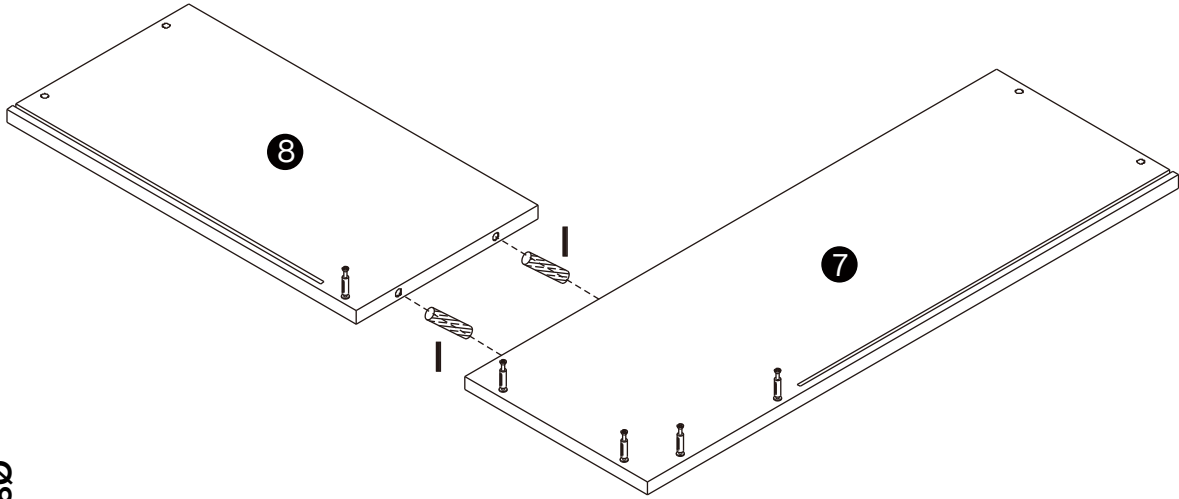
2



F

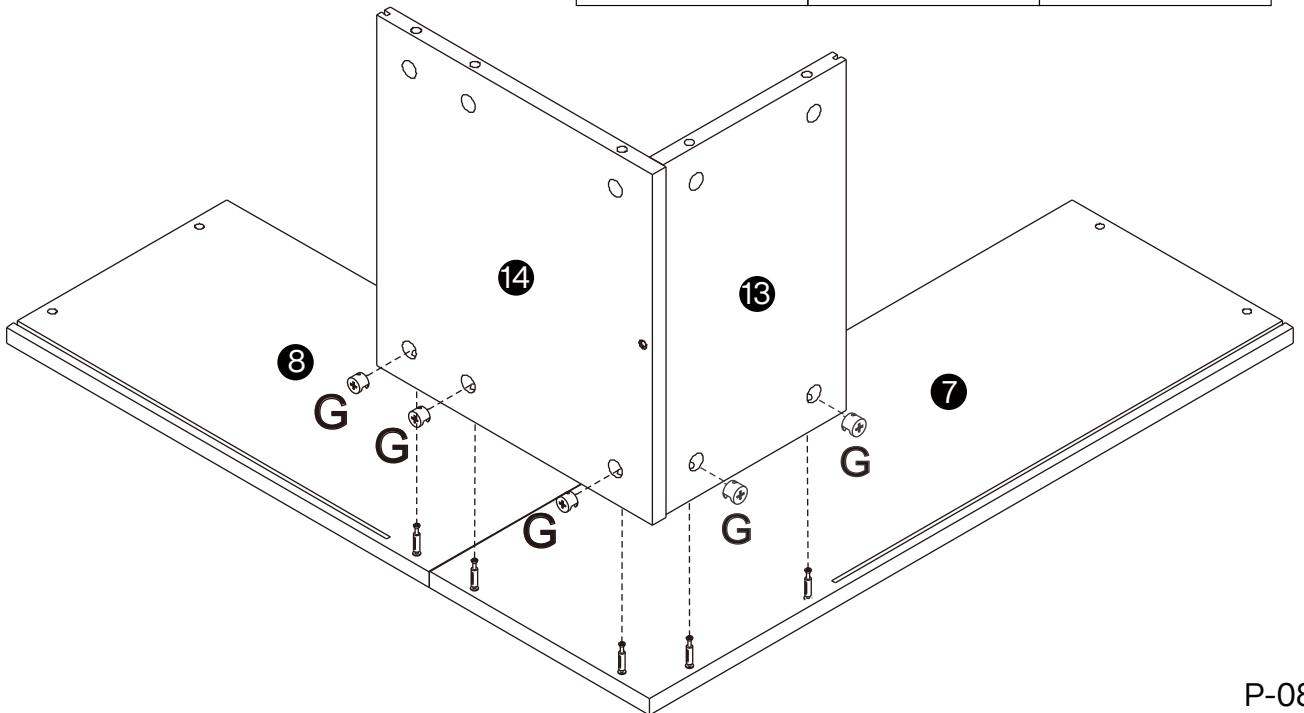
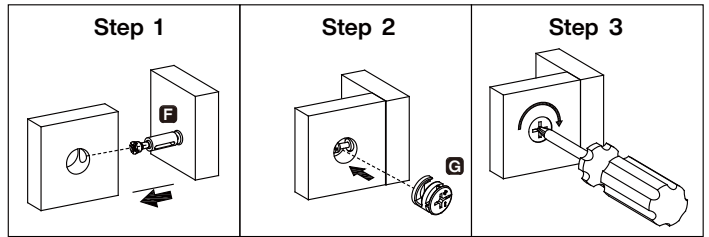
5PCS

3



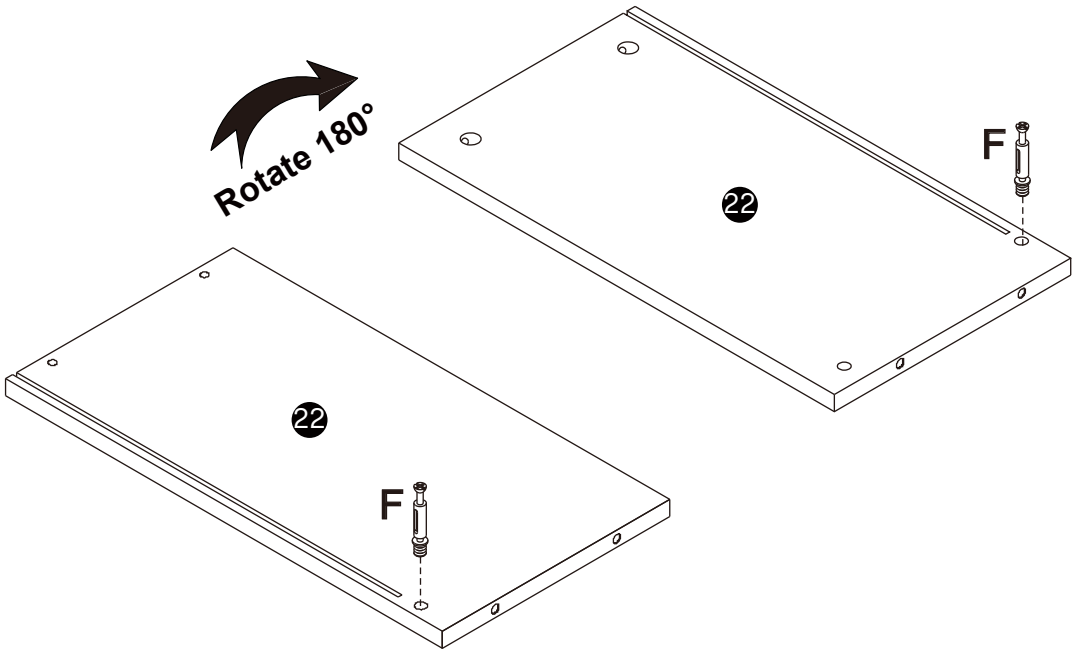
I
2PCS

4



G
5PCS

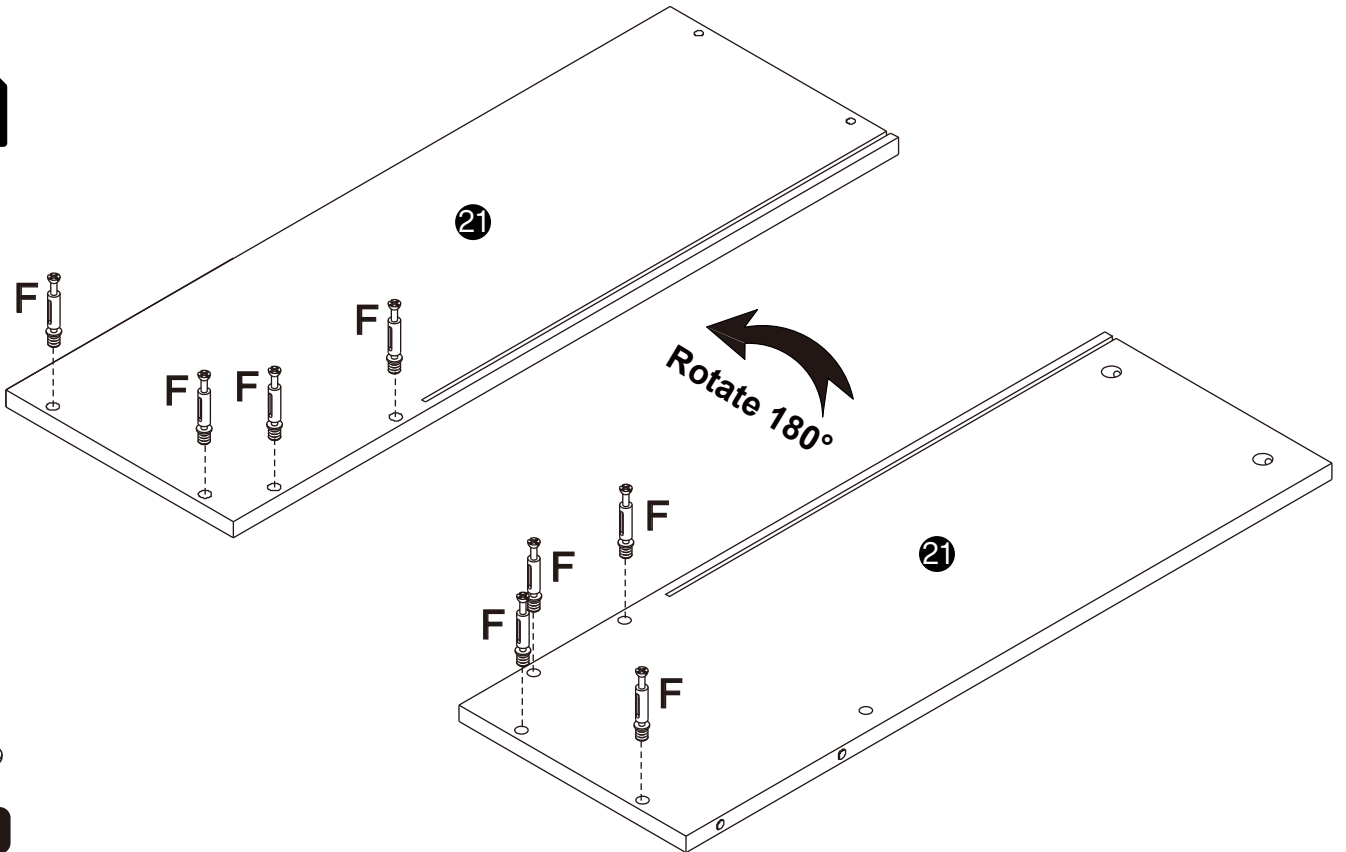
5



F

2PCS

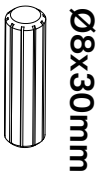
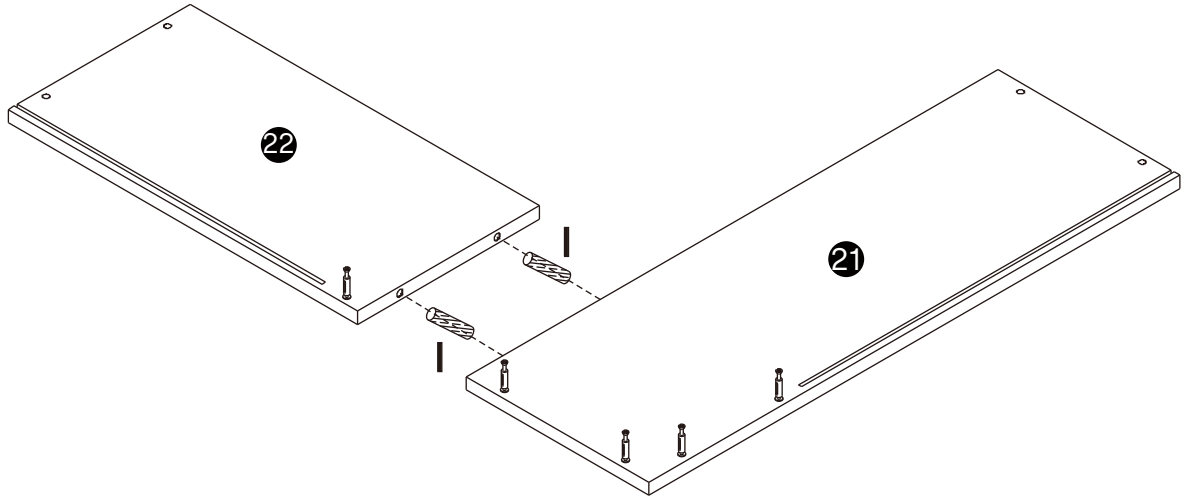
6



F

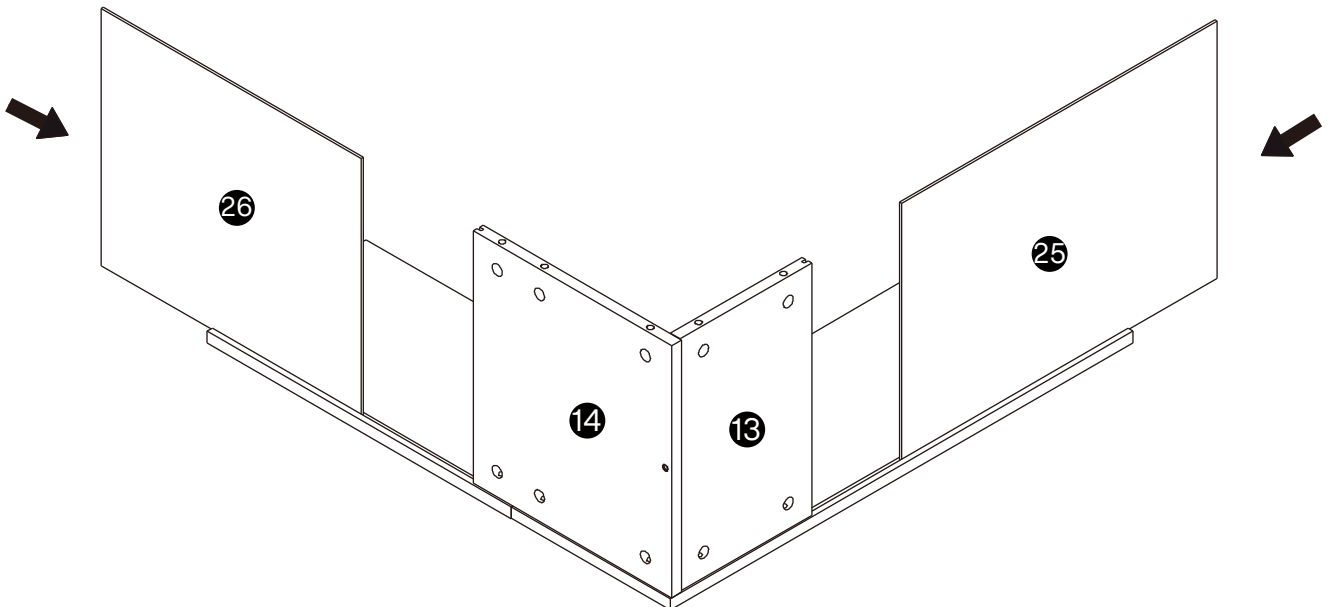
8PCS

7

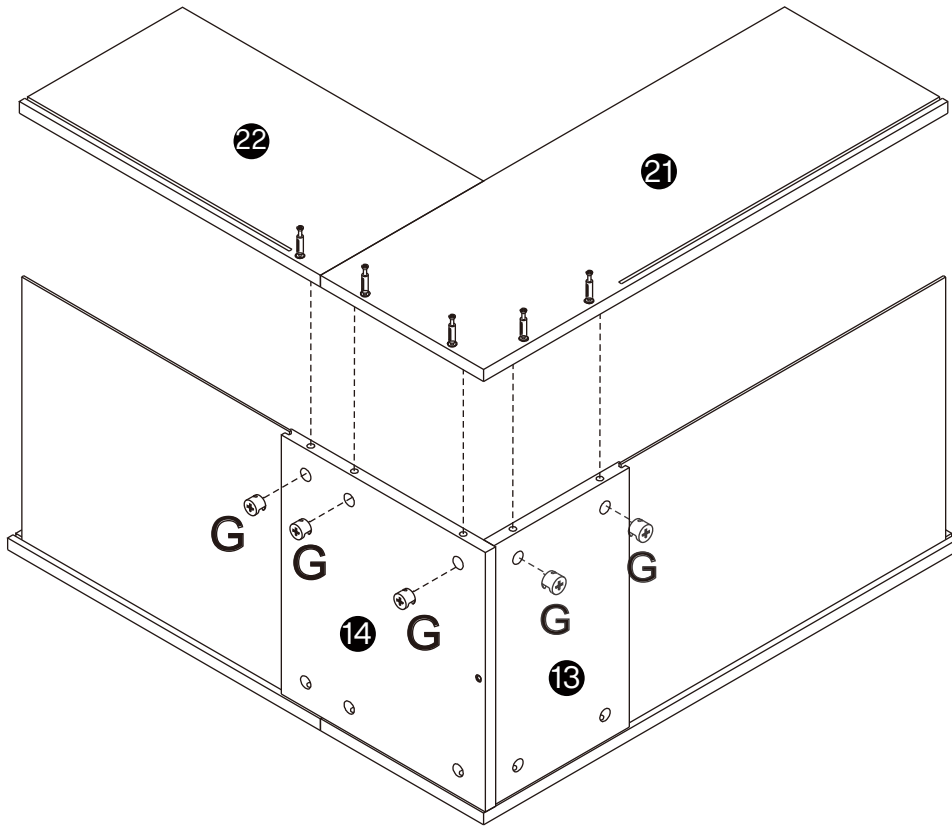


1
2PCS

8

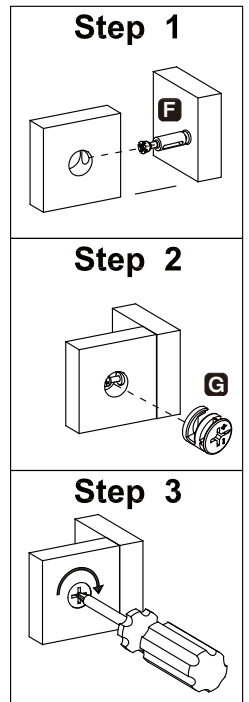


9

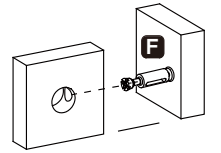


G

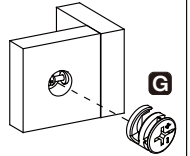
5PCS



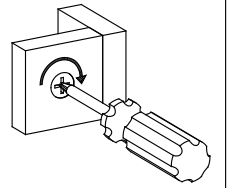
Step 1



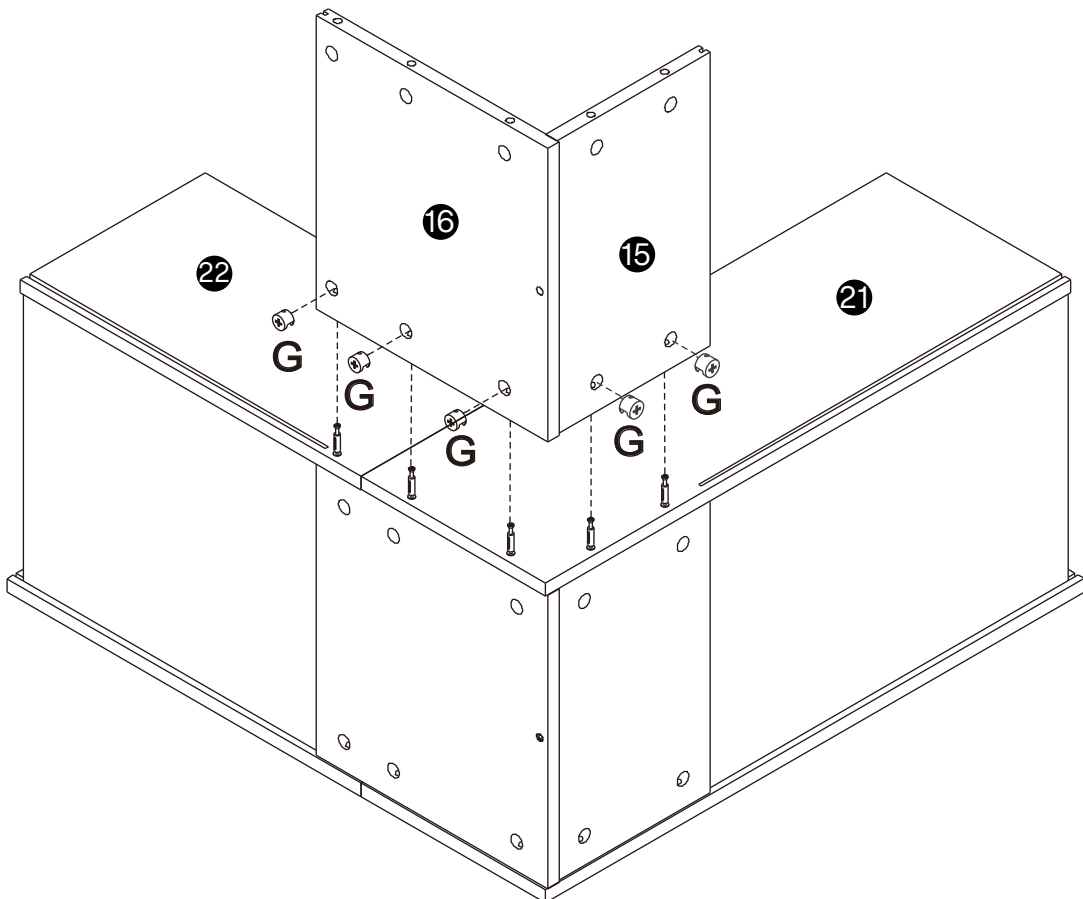
Step 2



Step 3



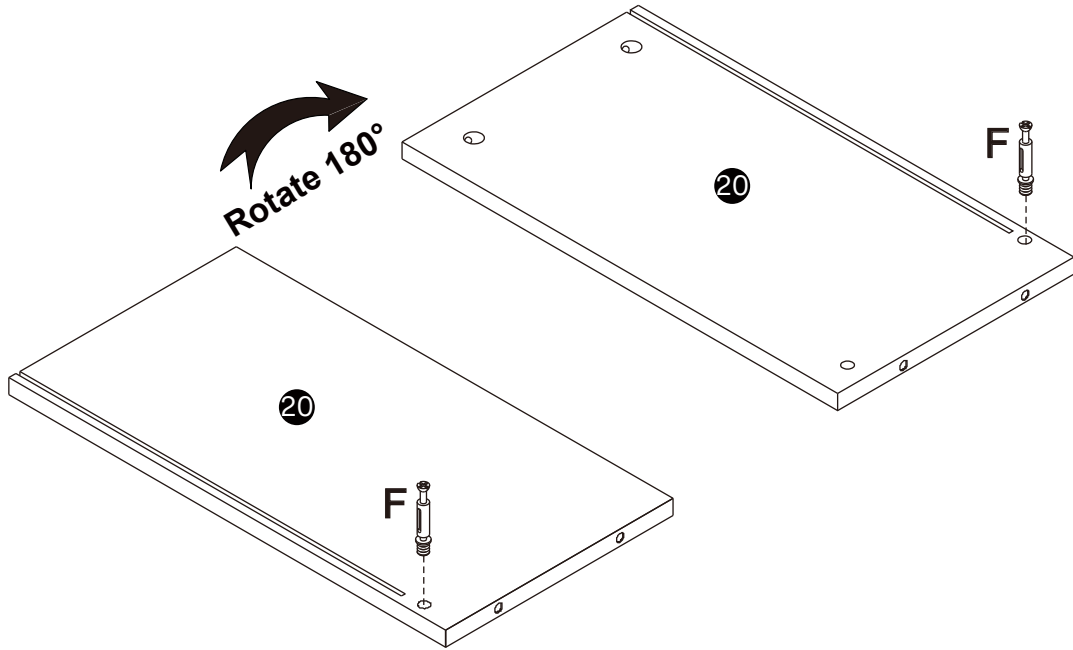
10



G

5PCS

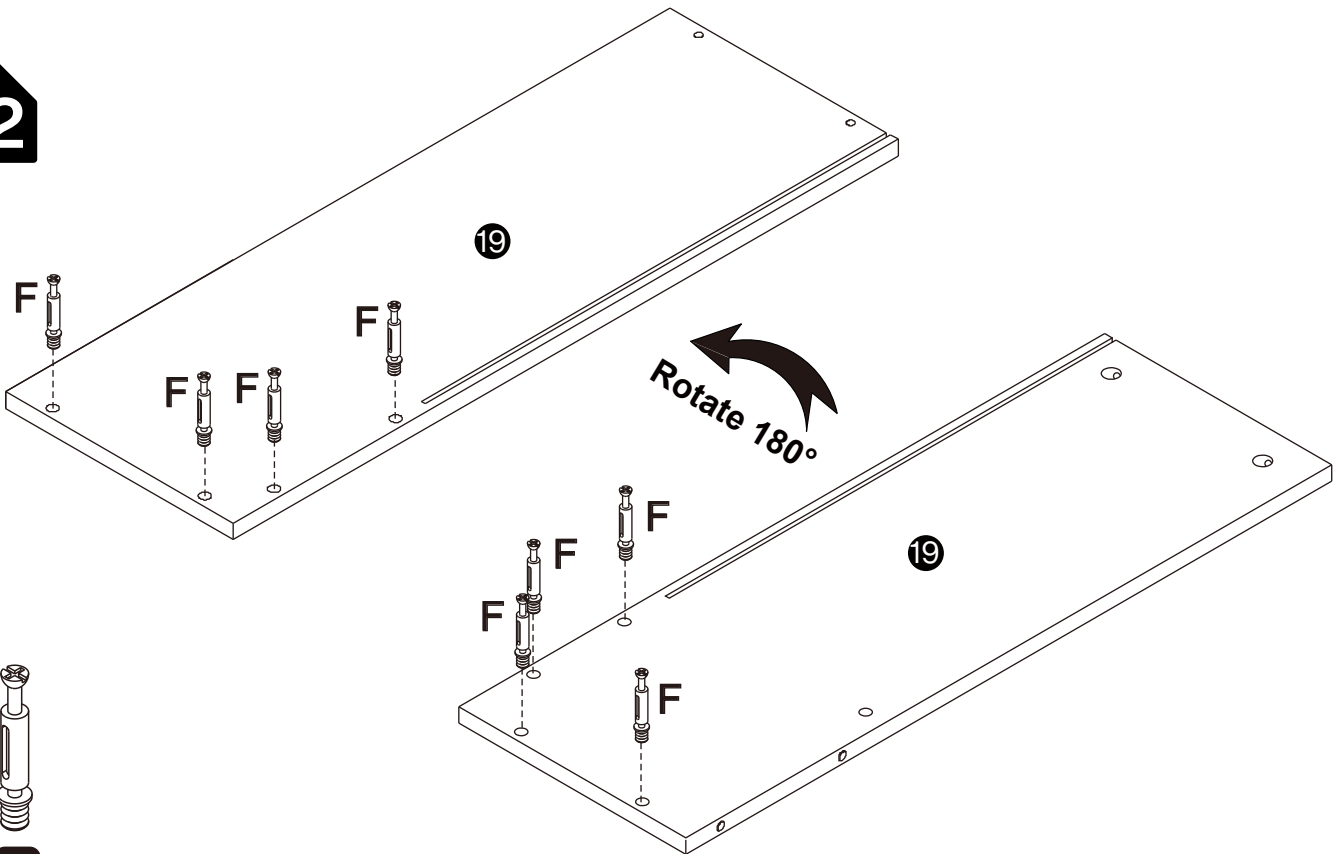
11



F

2PCS

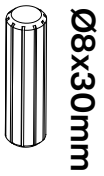
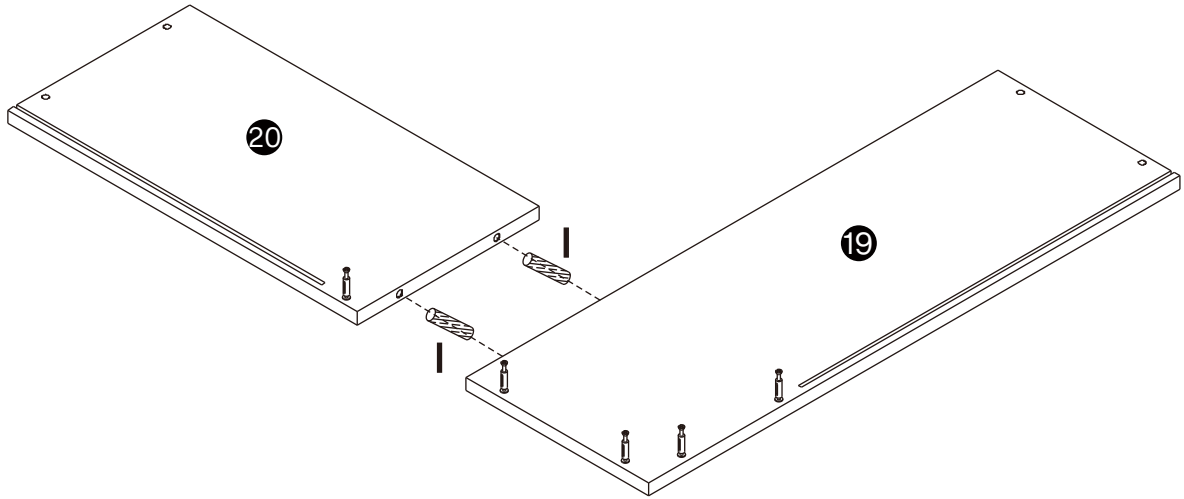
12



F

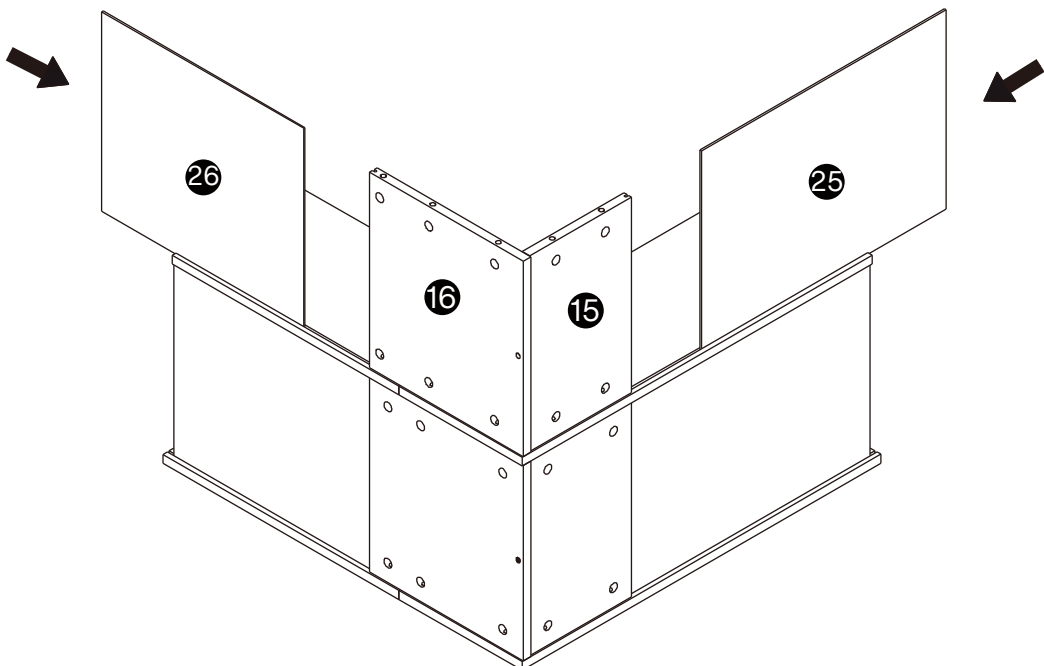
8PCS

13

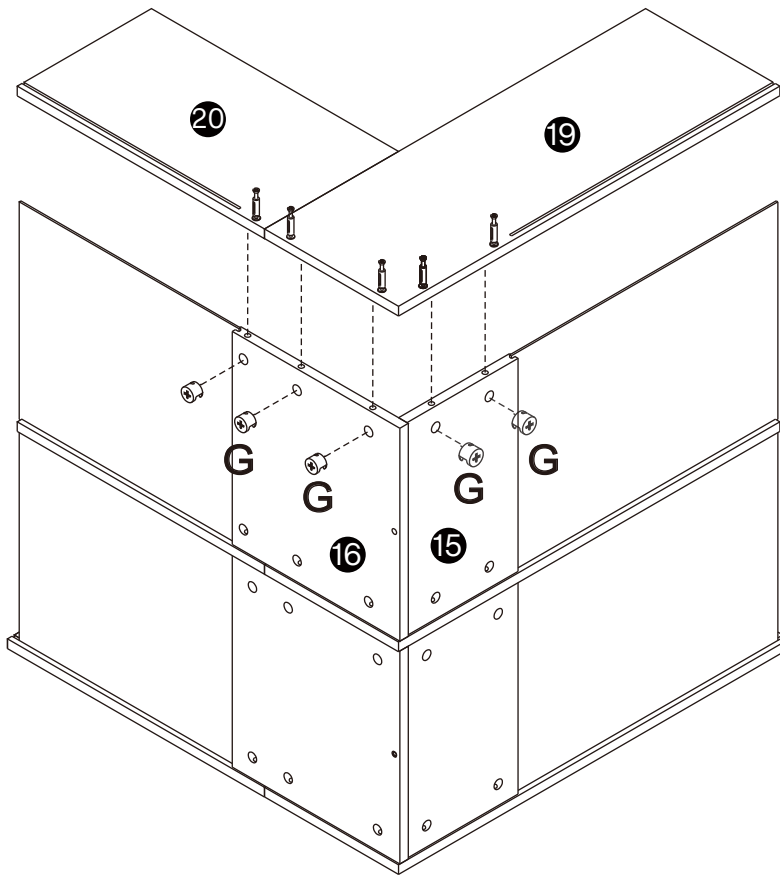


I
2PCS

14

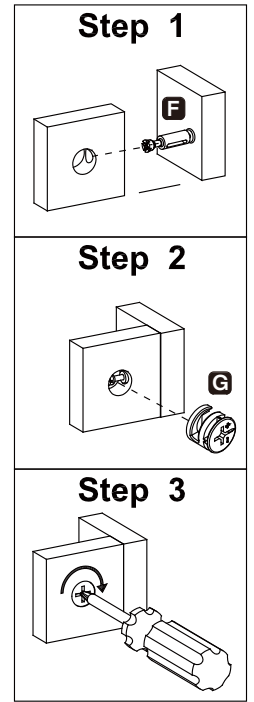


15

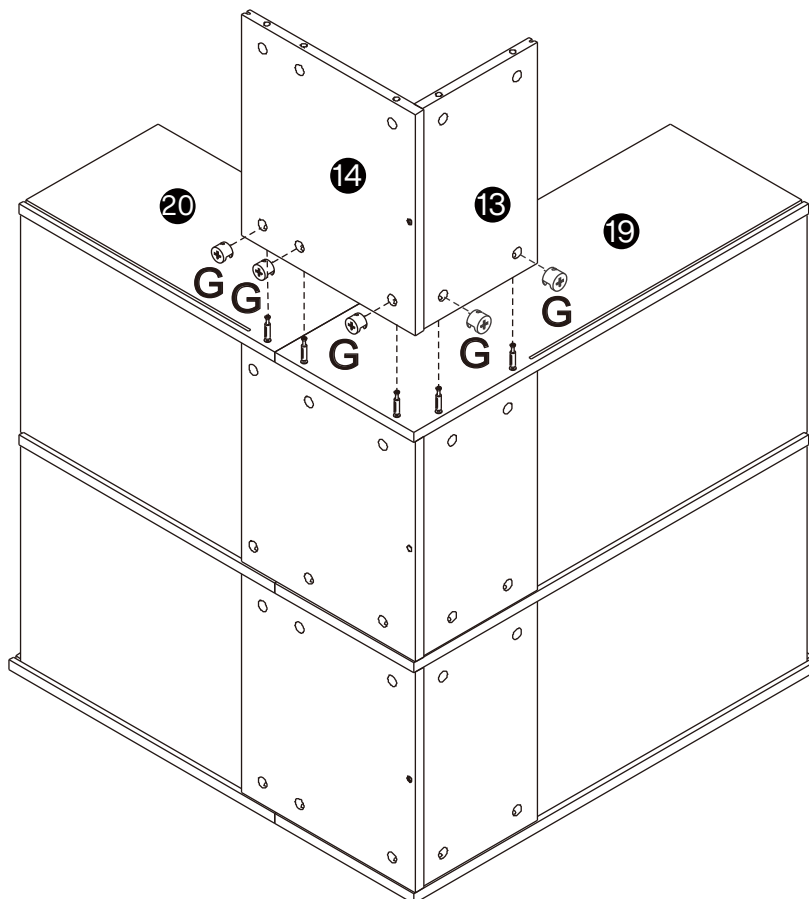


G

5PCS



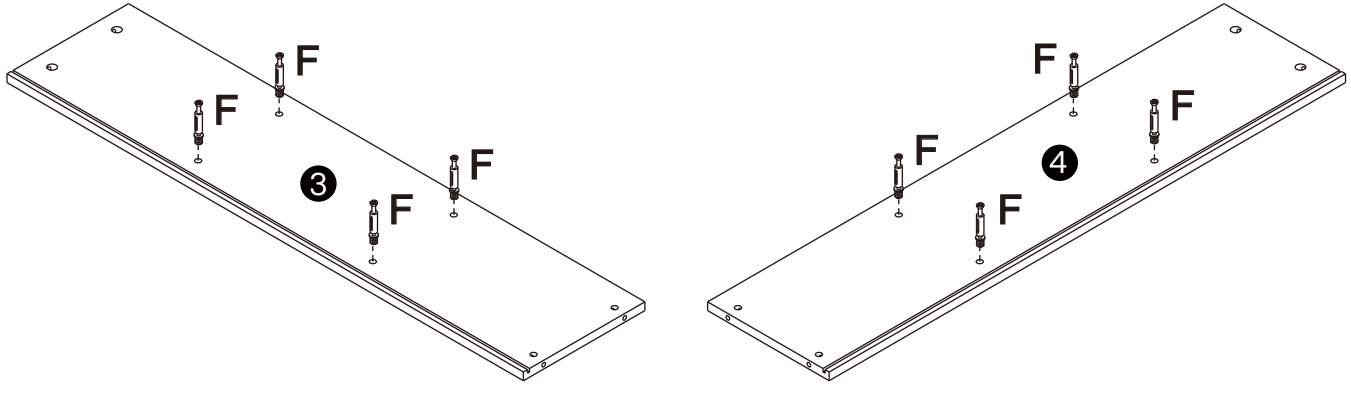
16



G

5PCS

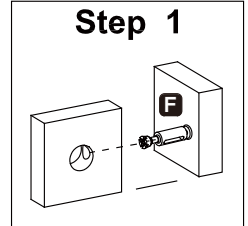
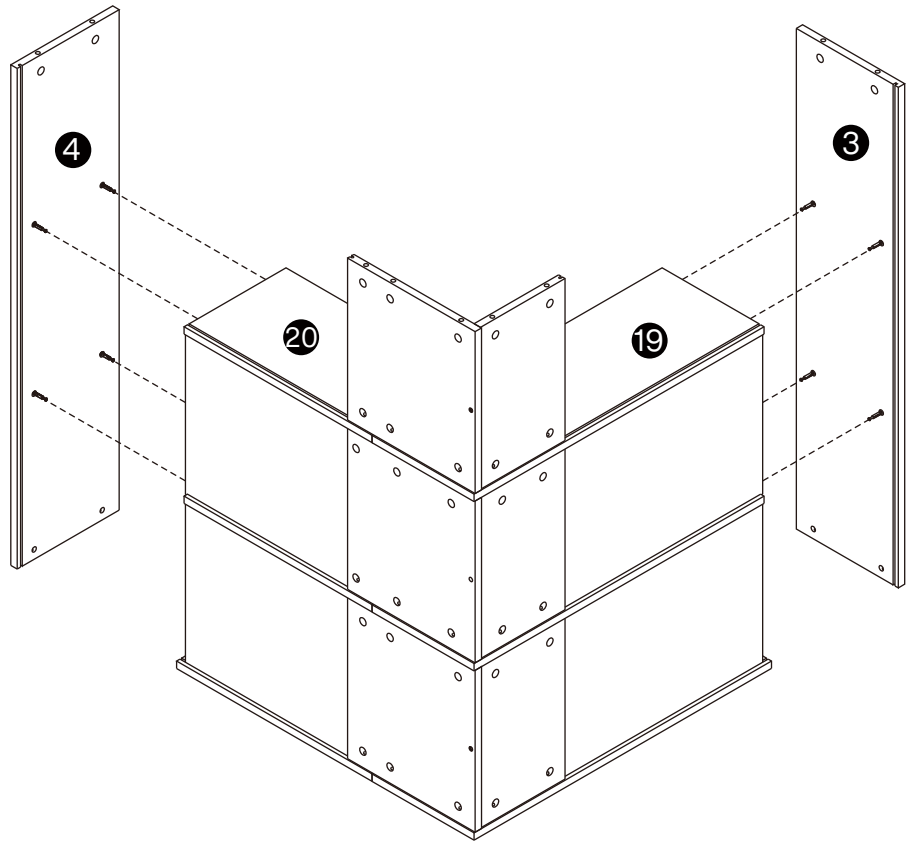
17



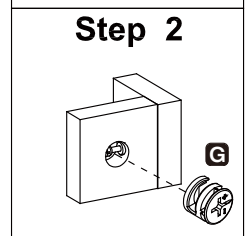
F

8PCS

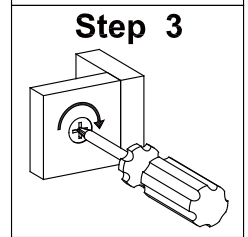
18



Step 1



Step 2



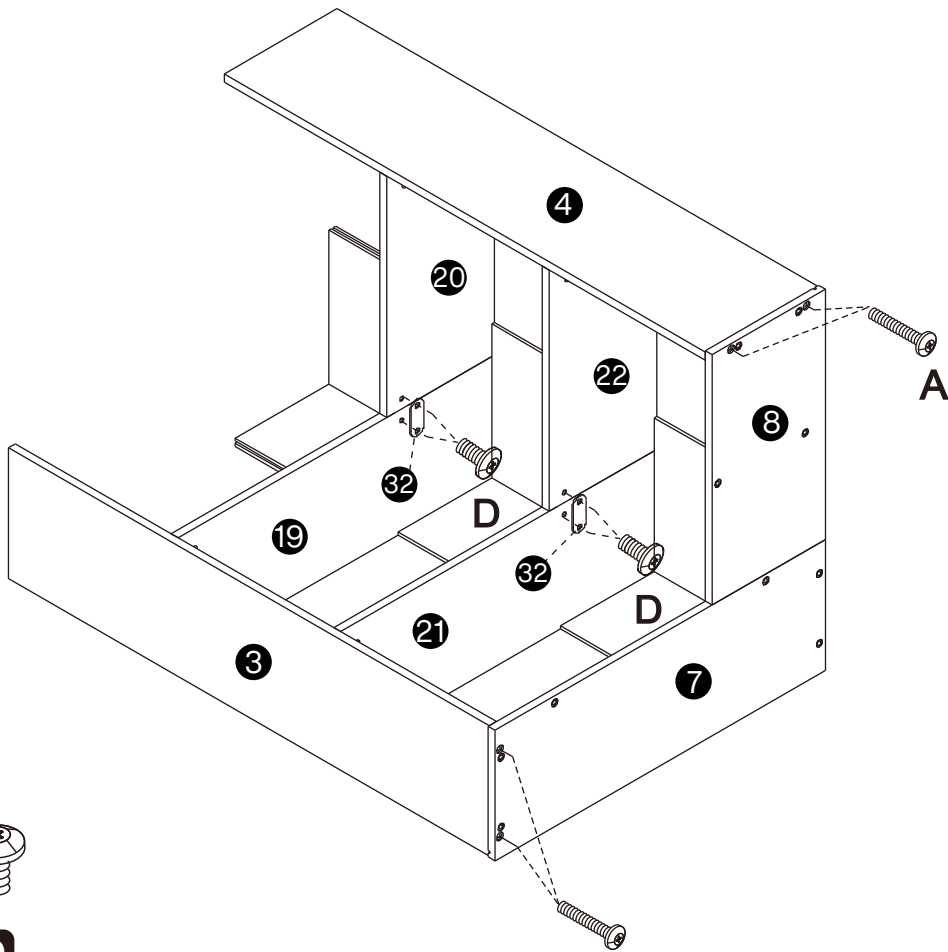
Step 3


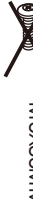



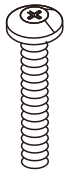
G

8PCS

19



 M6x40MM A	 M6x35MM B	 M6x30MM C
--	--	--

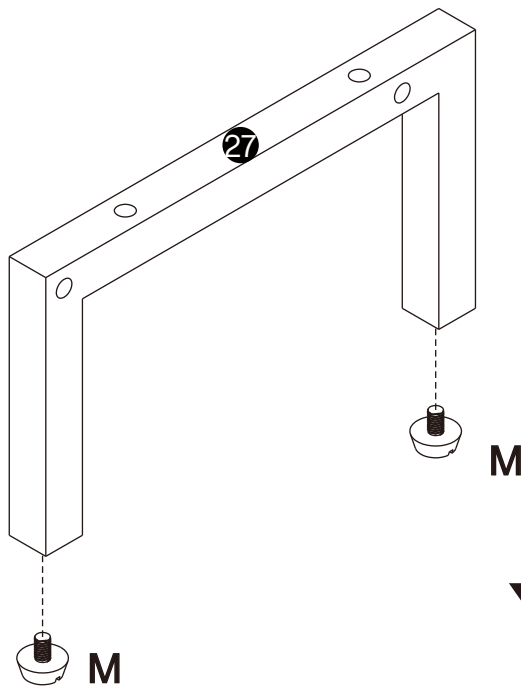


A
4PCS



D
4PCS

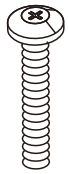
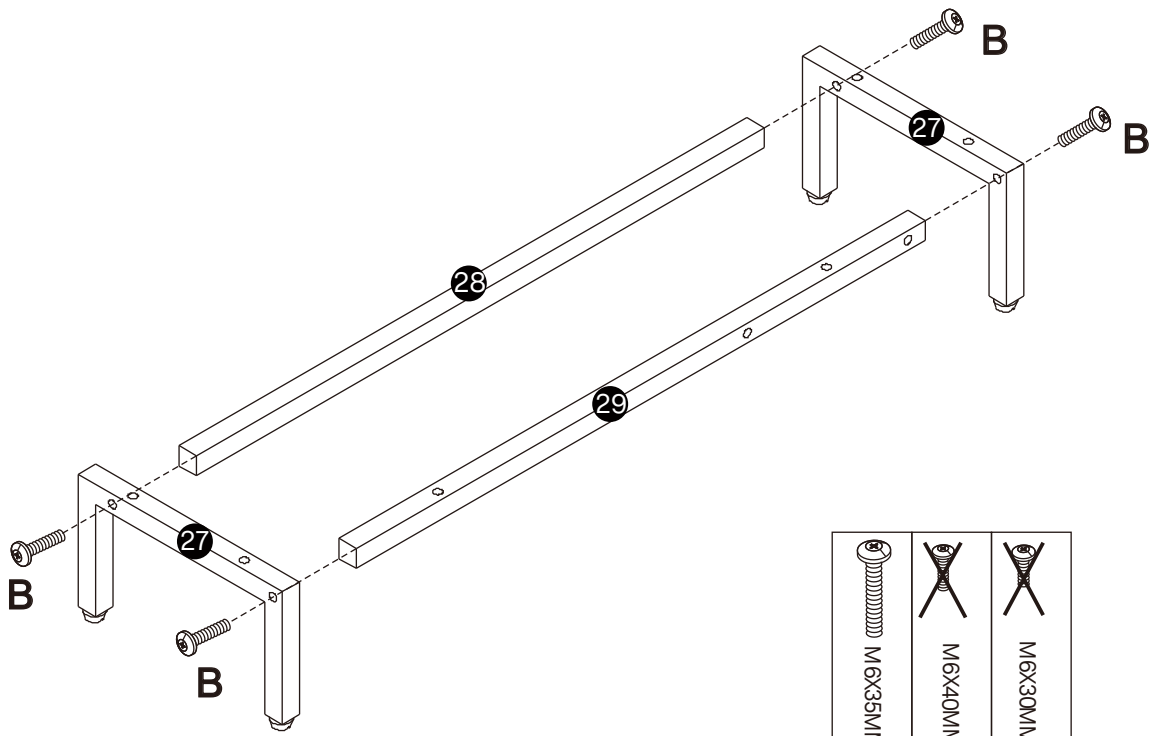
20



M
6PCS




X3

21

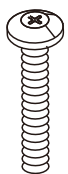
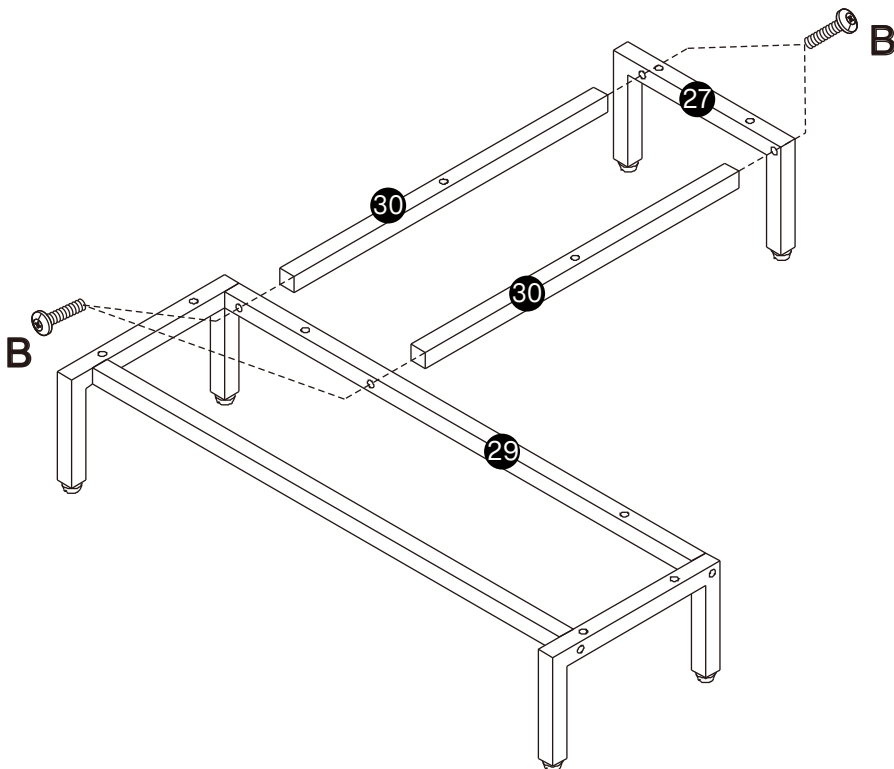


B

4PCS

 M6X35MM B	 M6X40MM A	 M6X30MM C
---	---	---

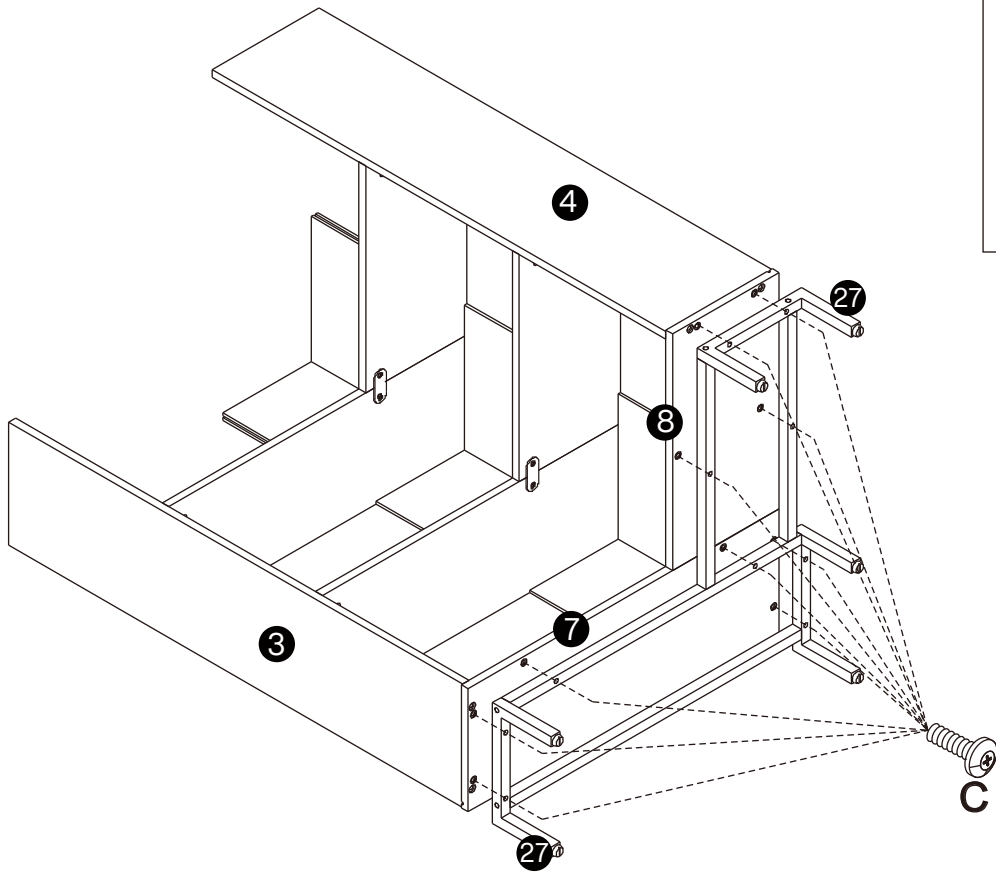
22






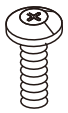
B

4PCS

23



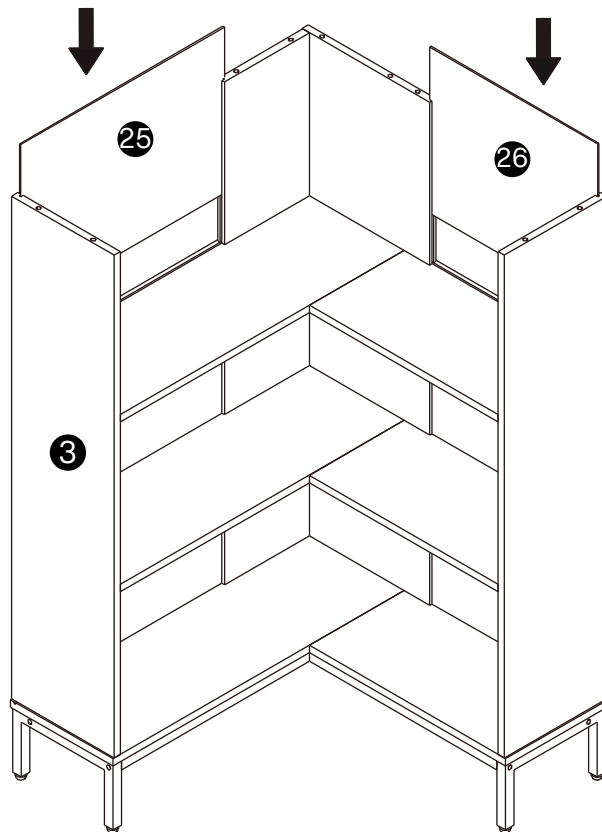
 M6X30MM C	 M6X40MM A	 M6X35MM B
--	--	--



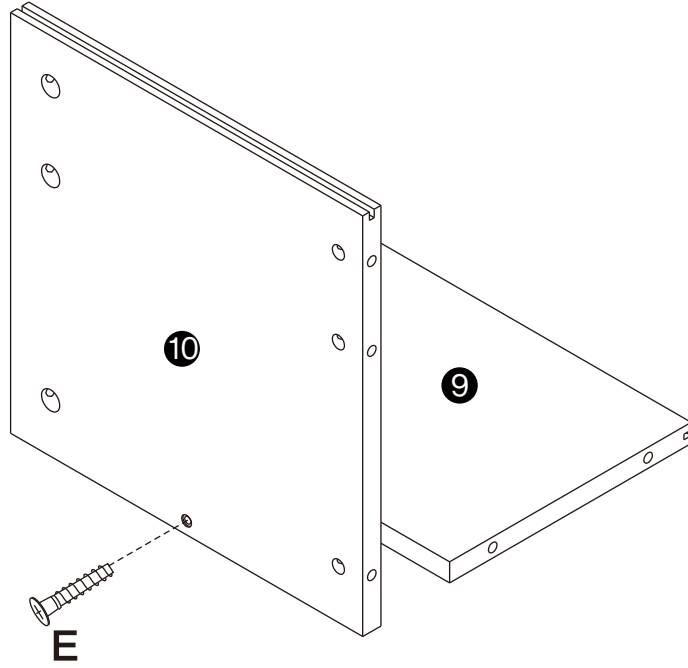
C

10PCS

24



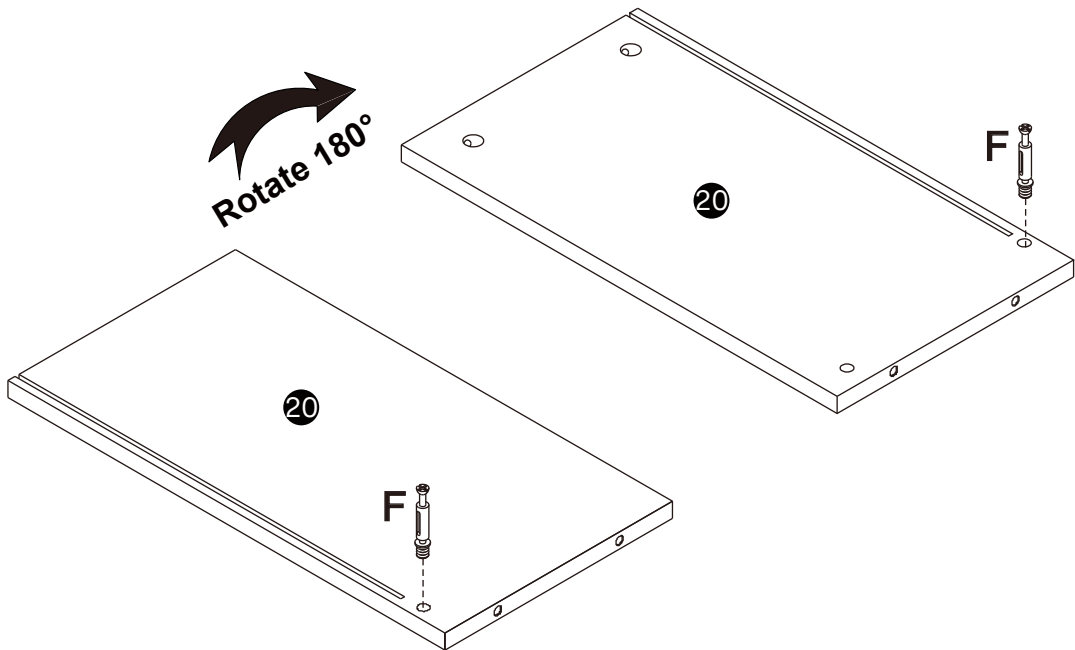
25



E

1PC

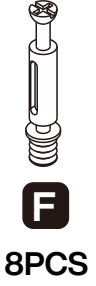
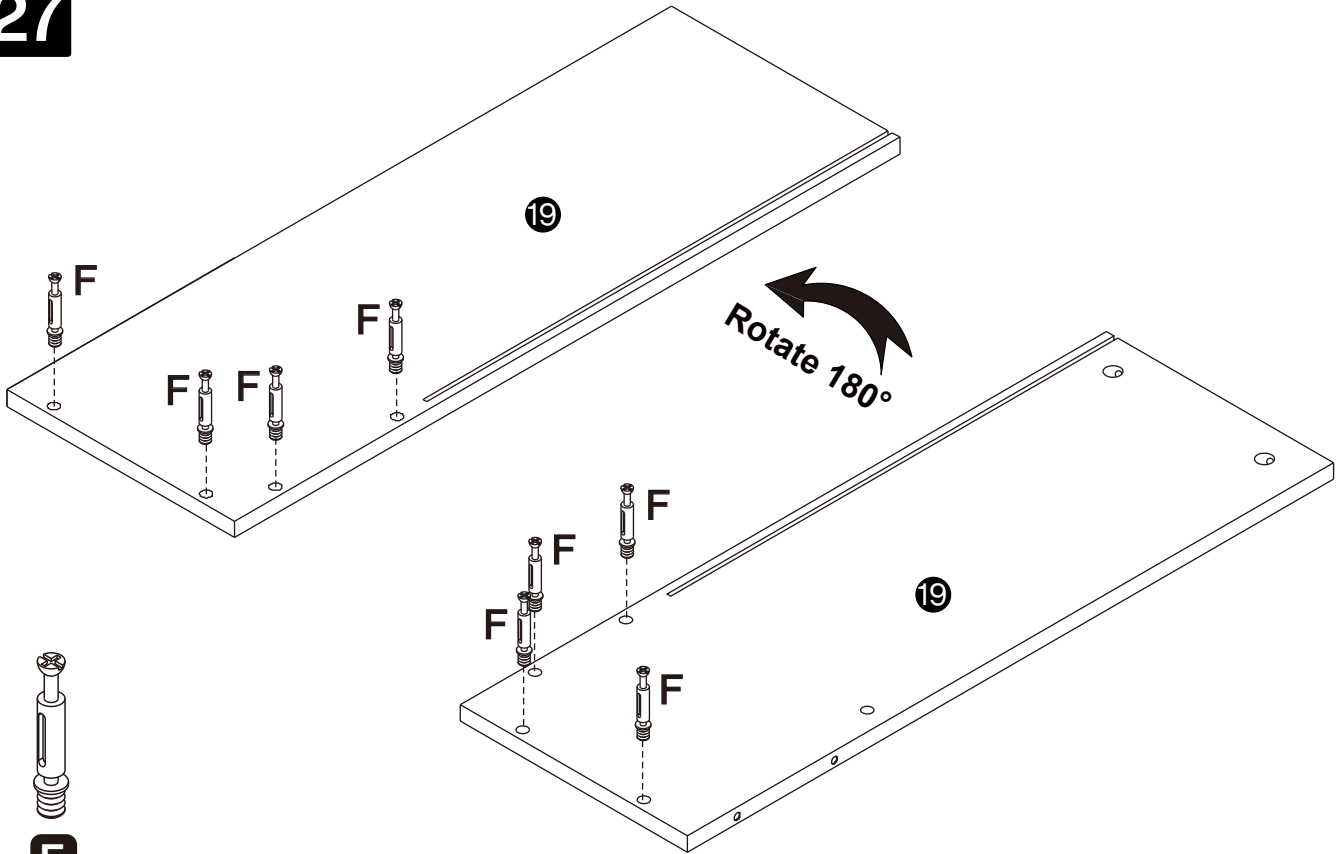
26



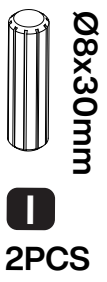
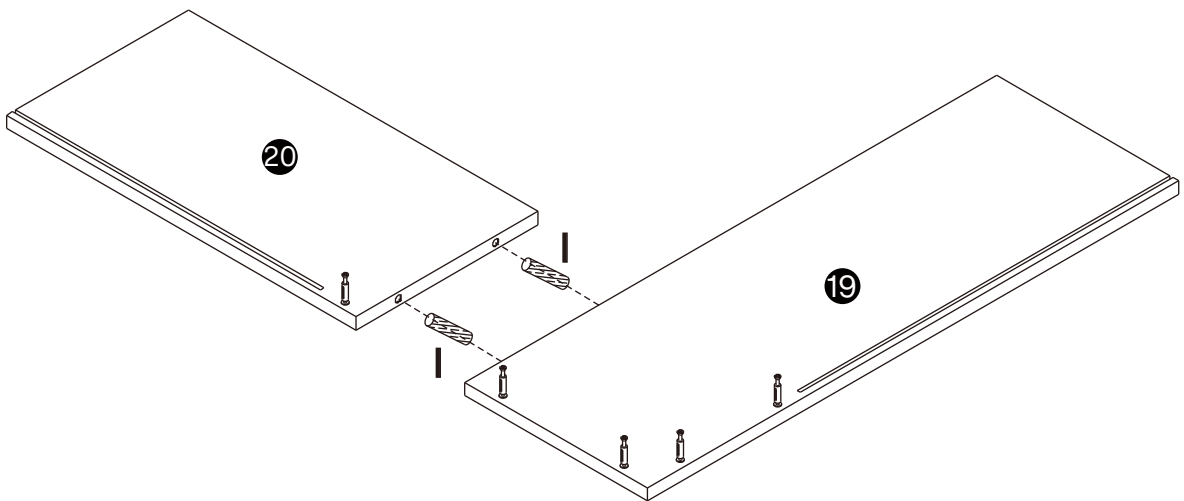
F

8PCS

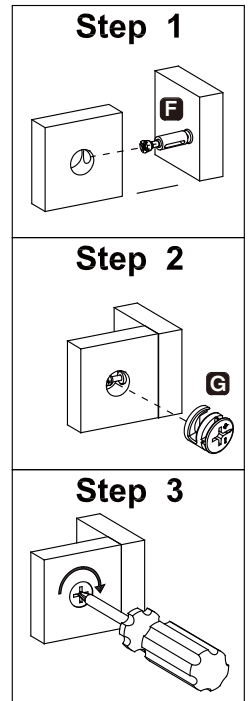
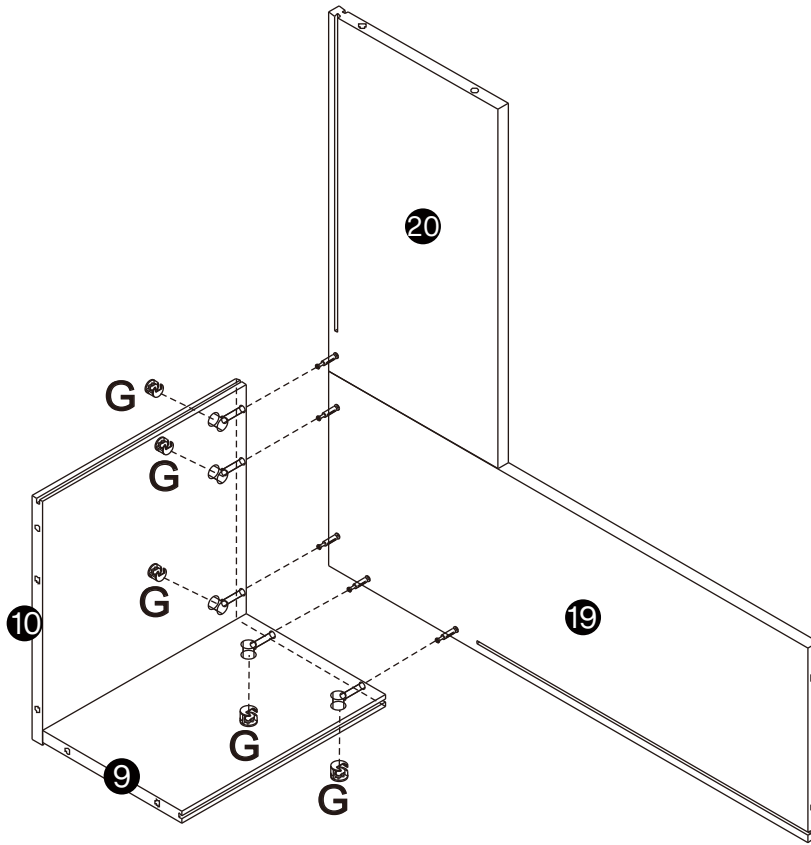
27



28



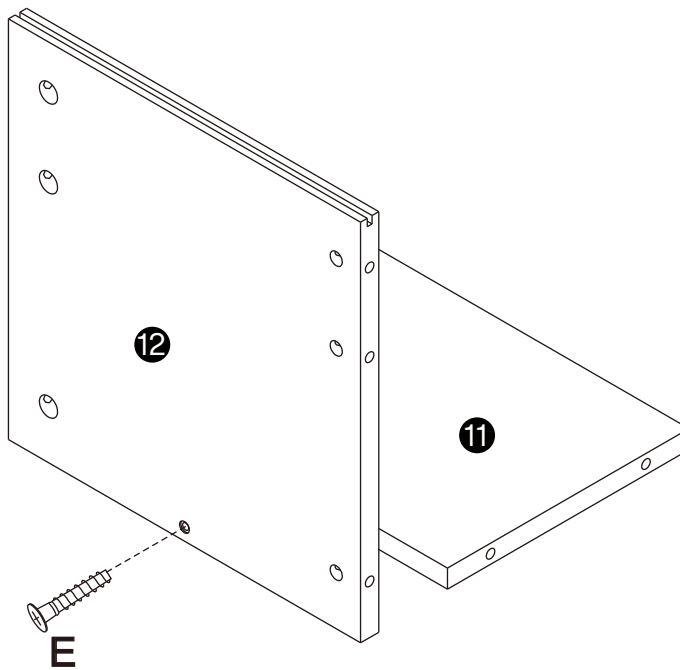
29



G

5PCS

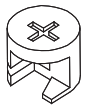
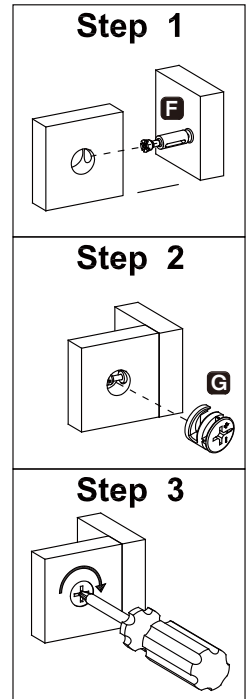
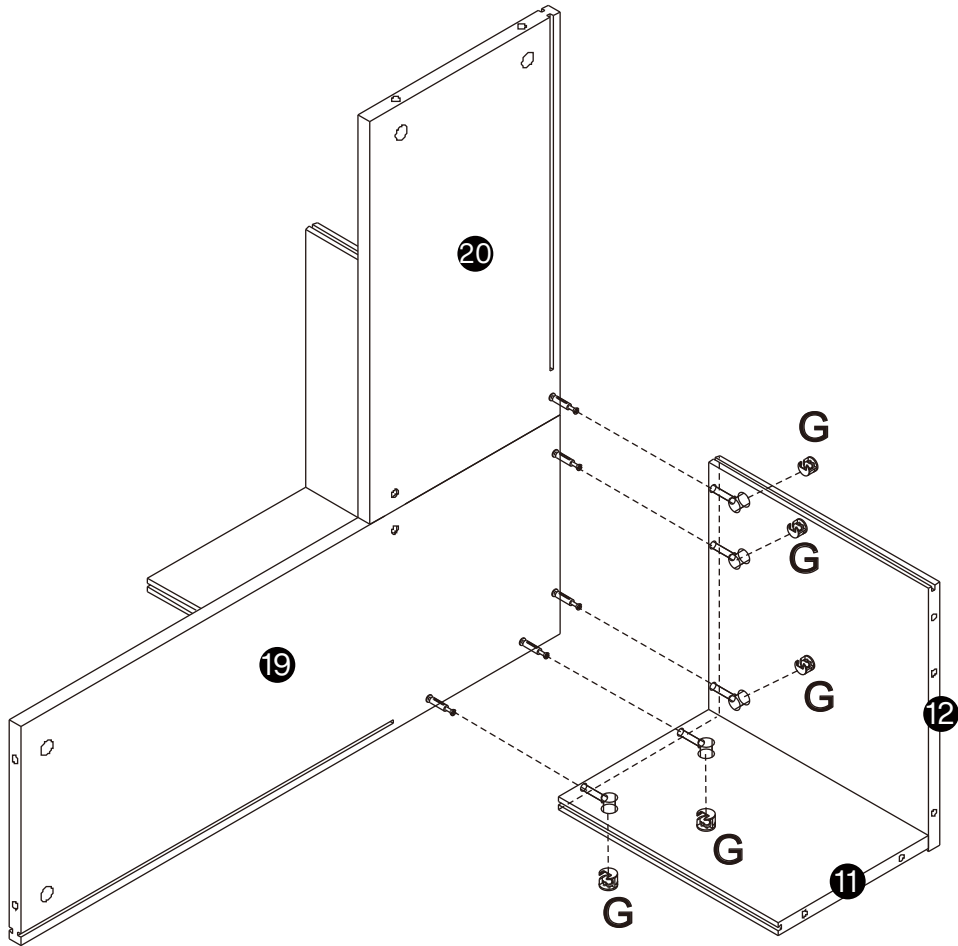
30



E

1PC

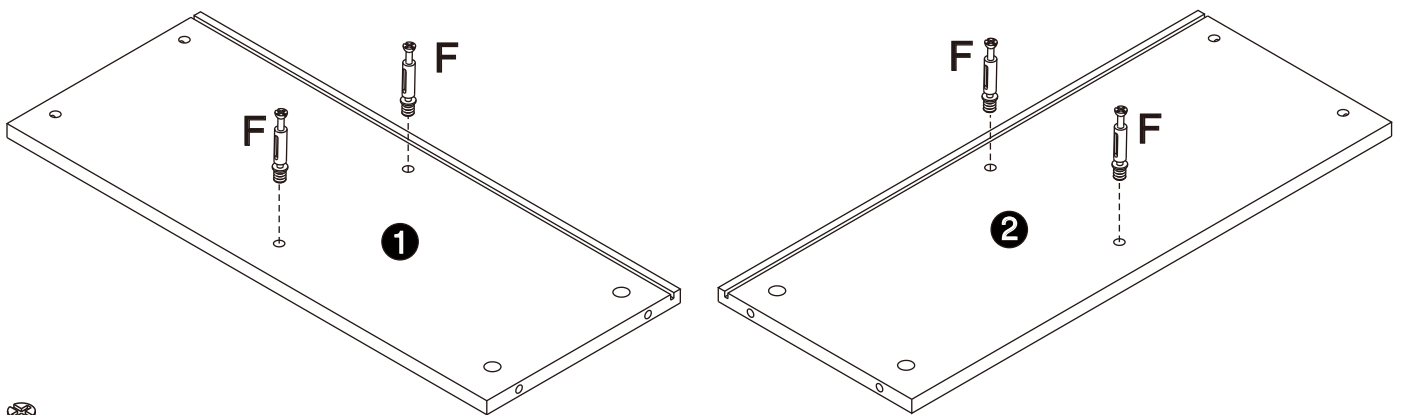
31



G

5PCS

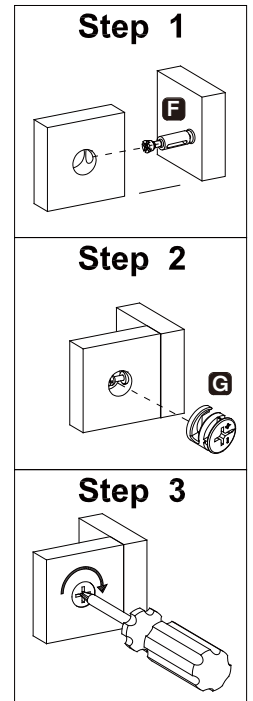
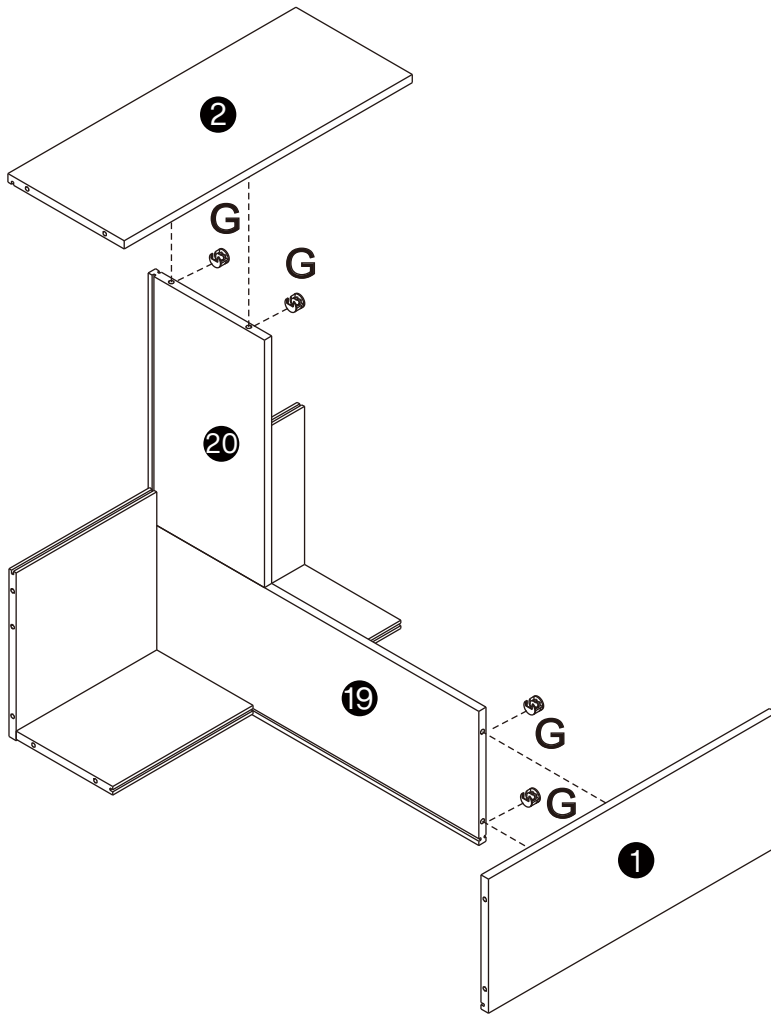
32



F

4PCS

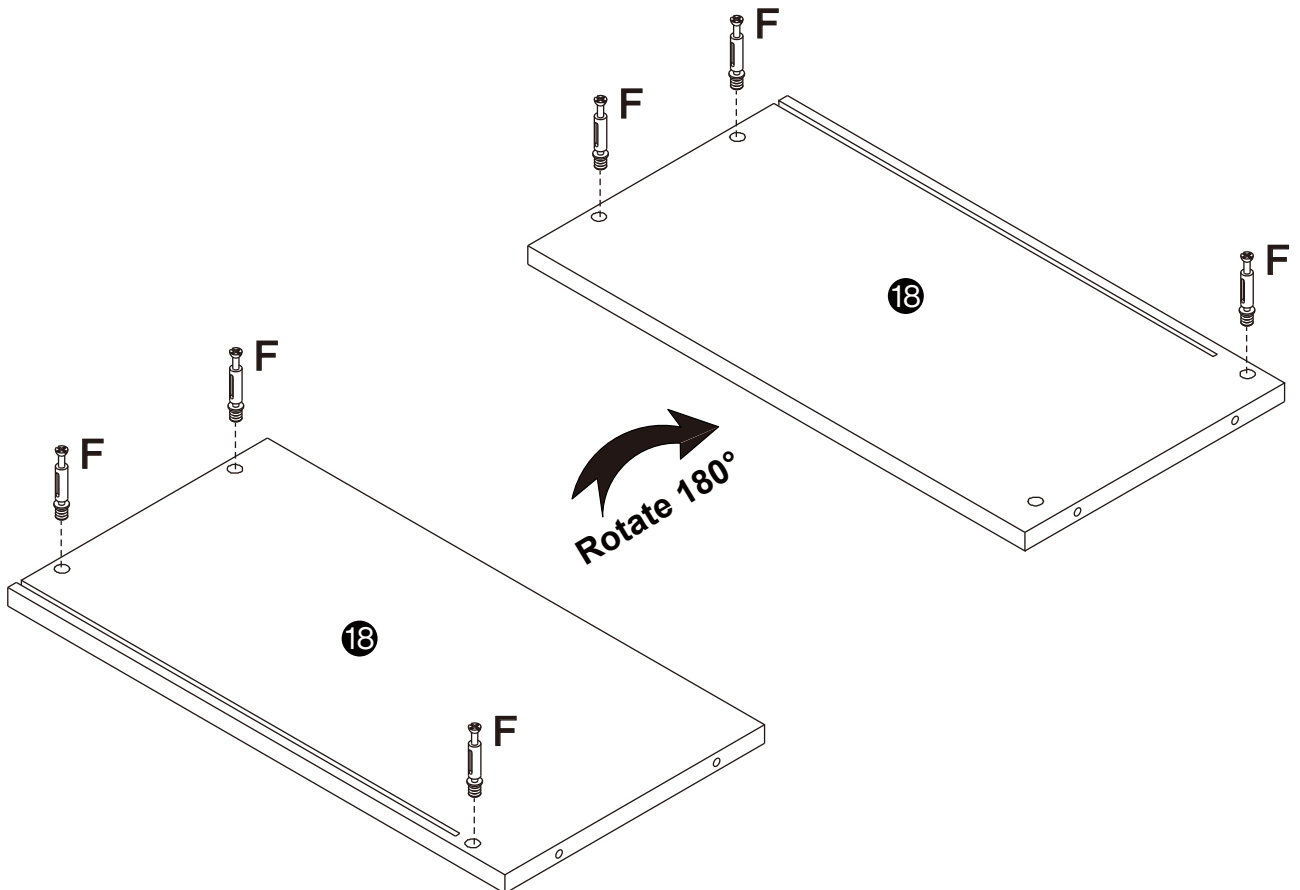
33



G

4PCS

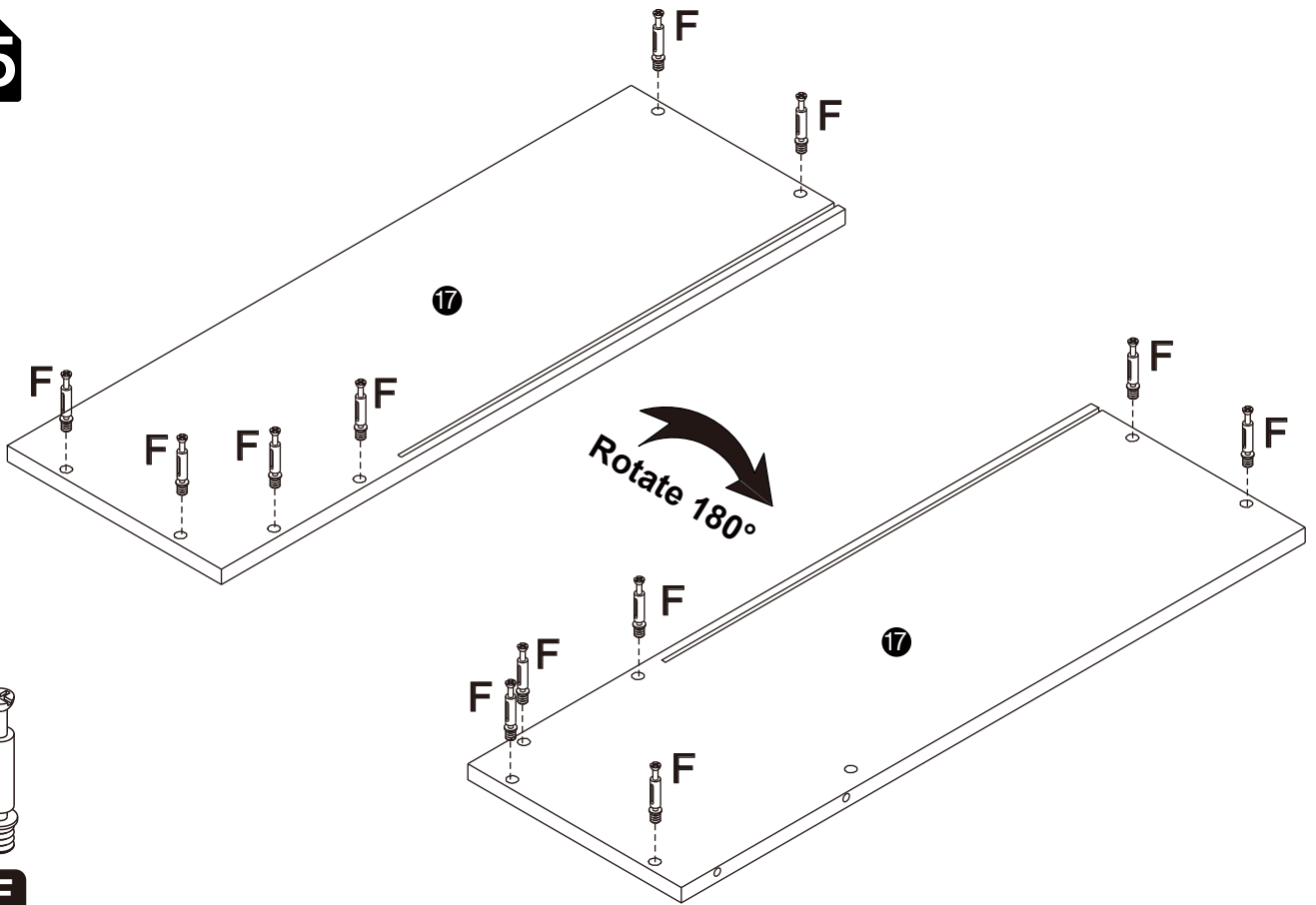
34



F

6PCS

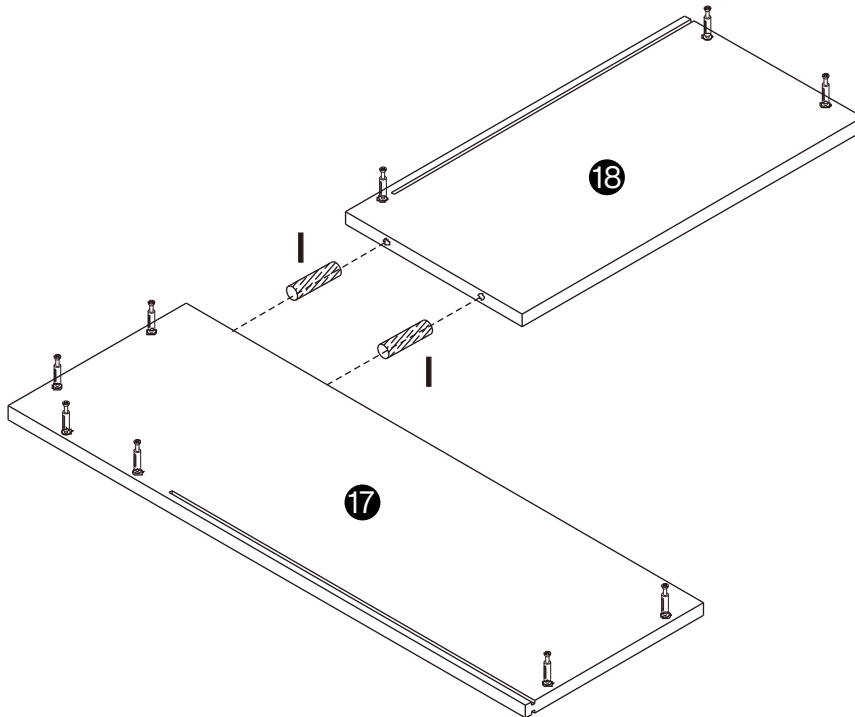
35



F

12PCS

36

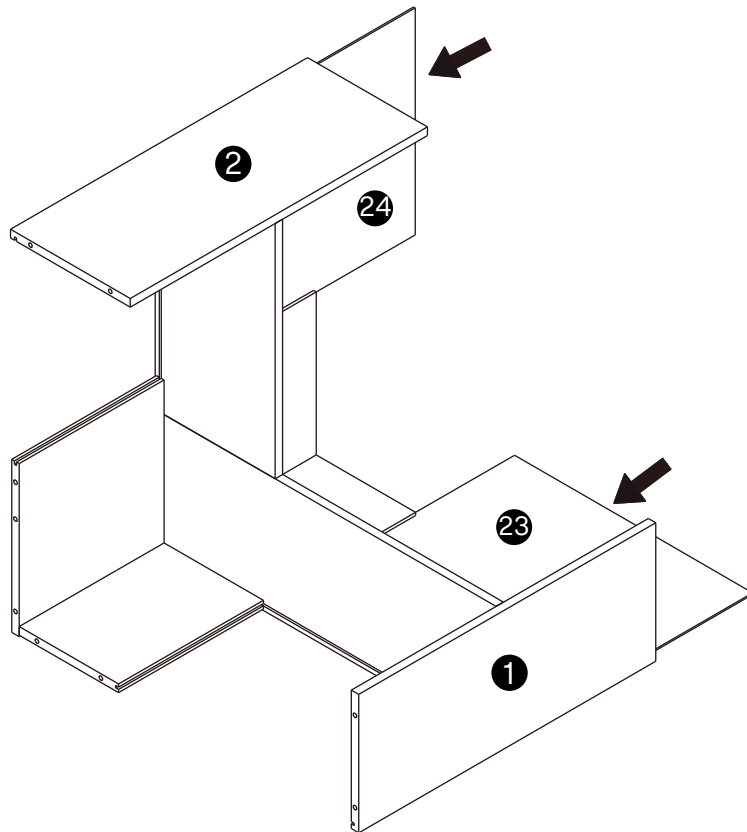


Ø8x30mm

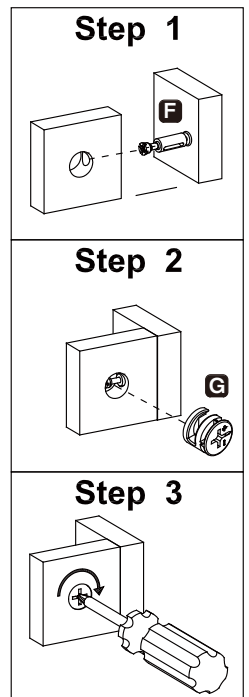
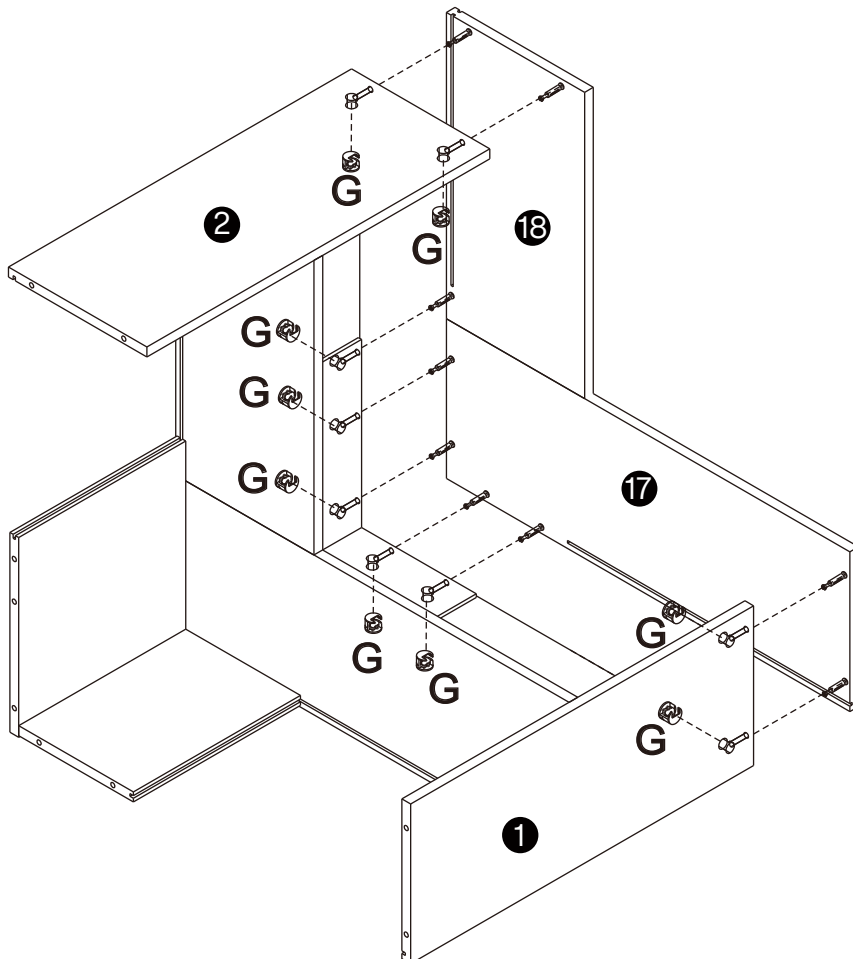
I

2PCS

37



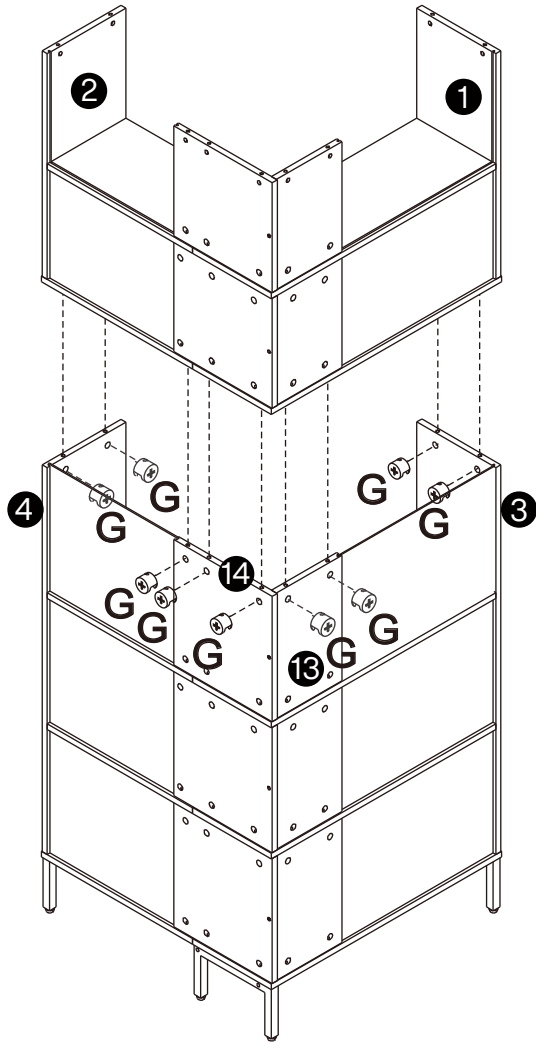
38



G

9PCS

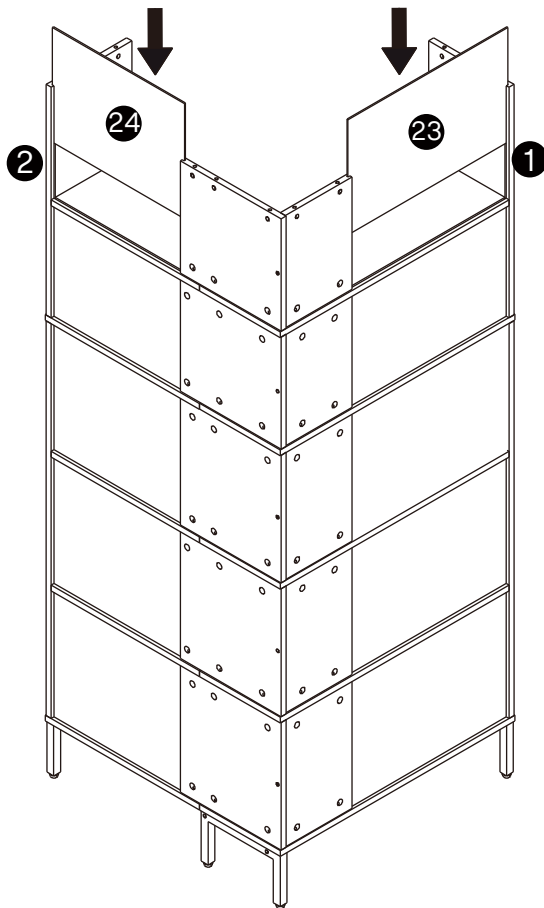
39



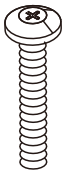
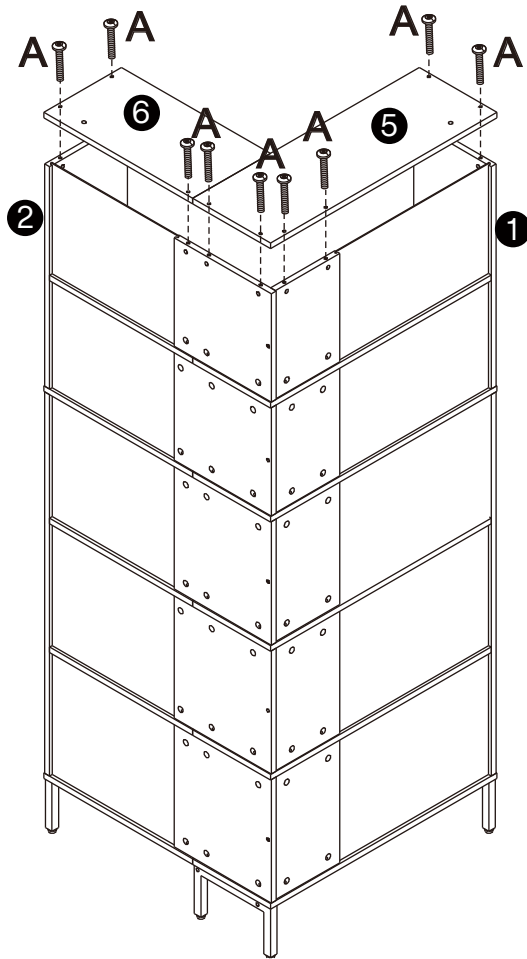
G

9PCS

40



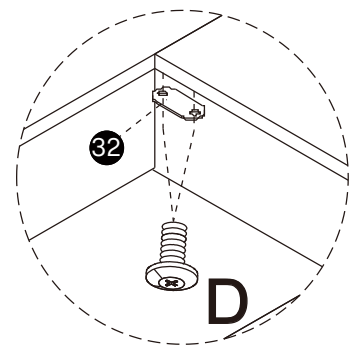
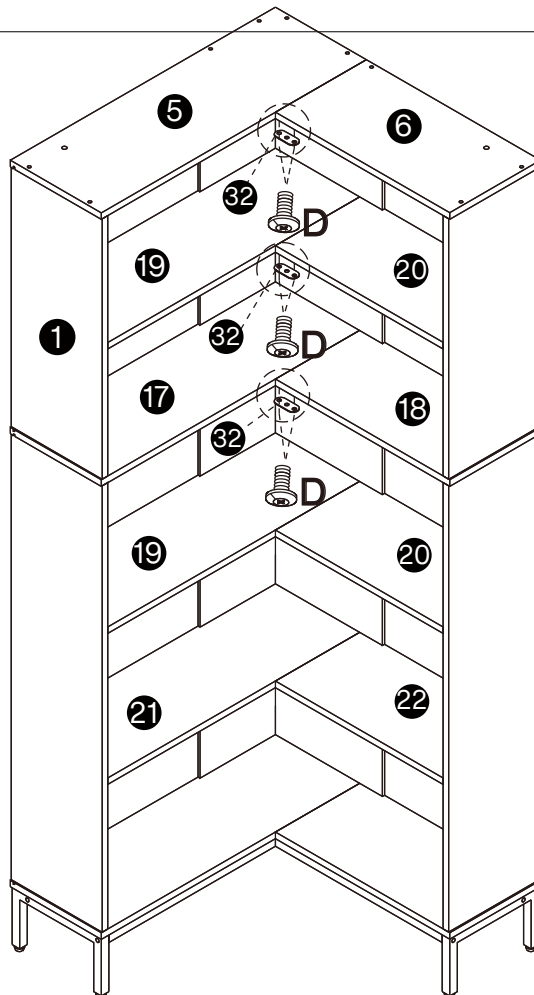
41



A

9PCS

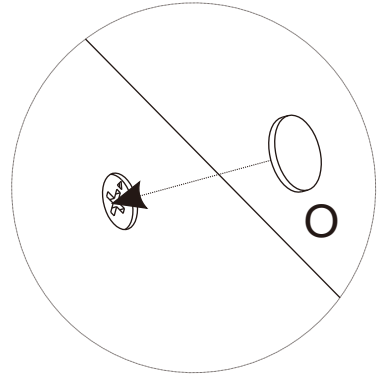
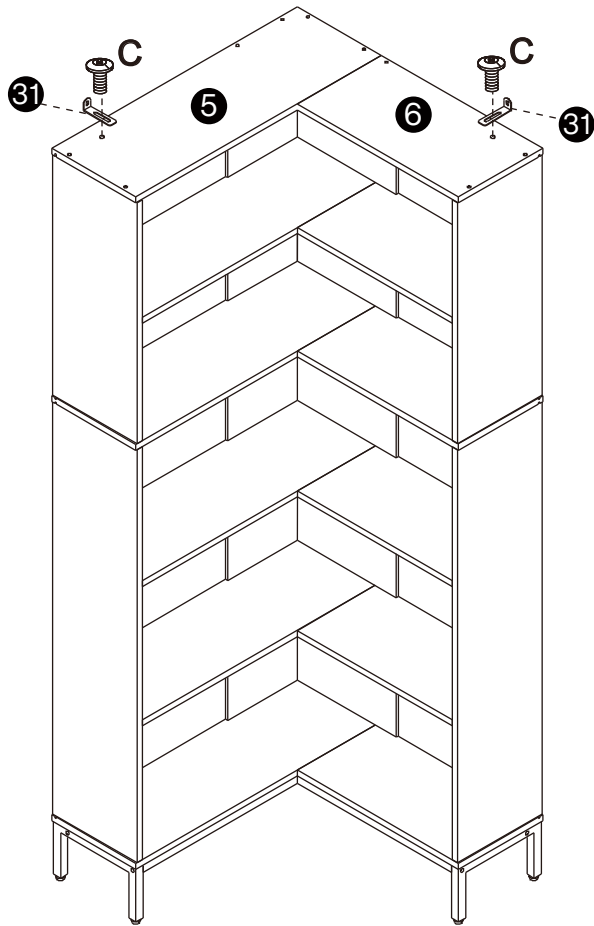
42



D

6PCS

43



D

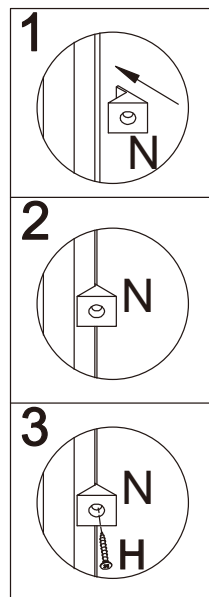
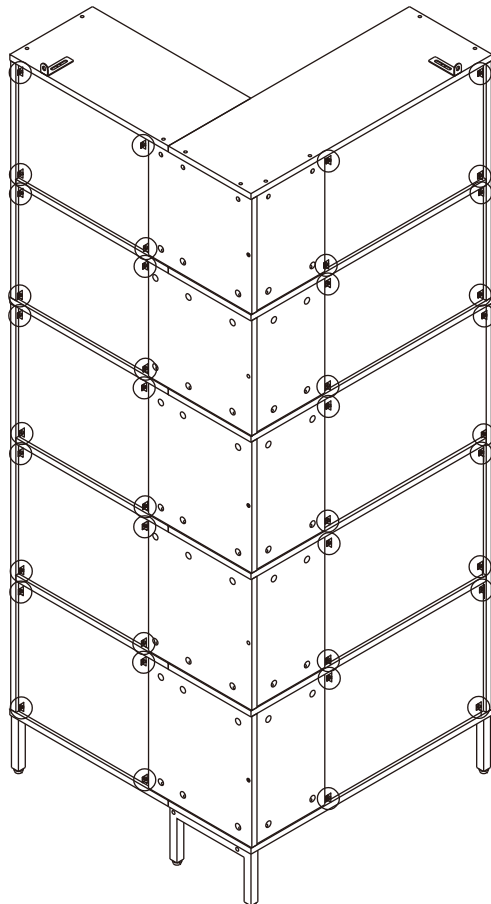
2PCS



O

16PCS

44



N

40PCS



H

40PCS

45



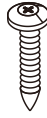
L

2PCS



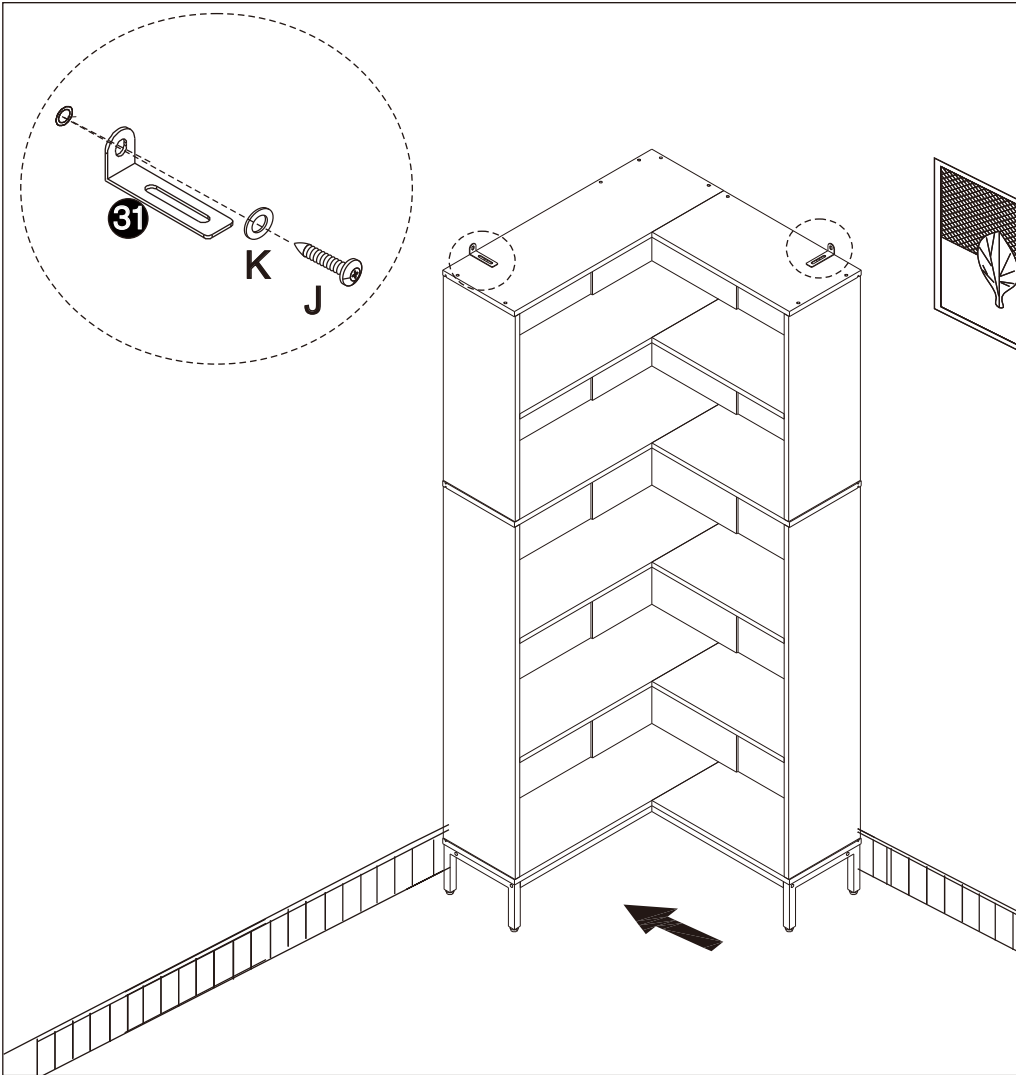
K

2PCS

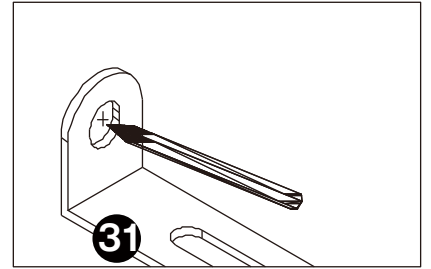


J

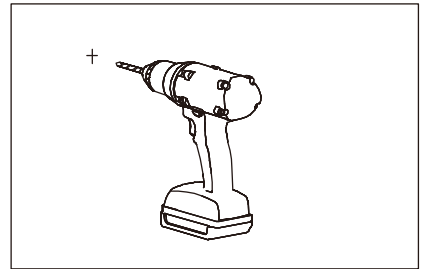
2PCS



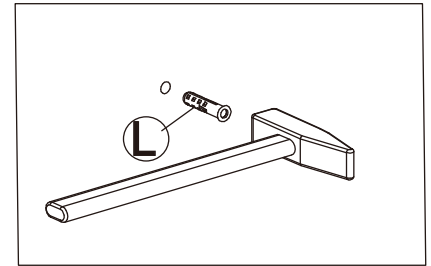
Step1



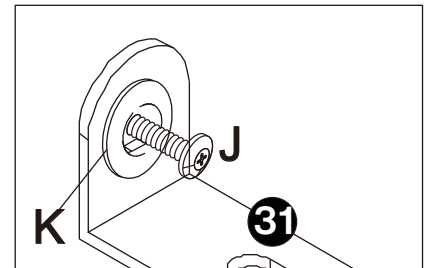
Step2



Step3



Step4



Thank you for your support!

