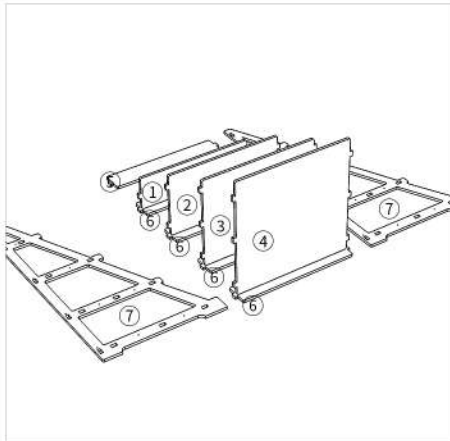
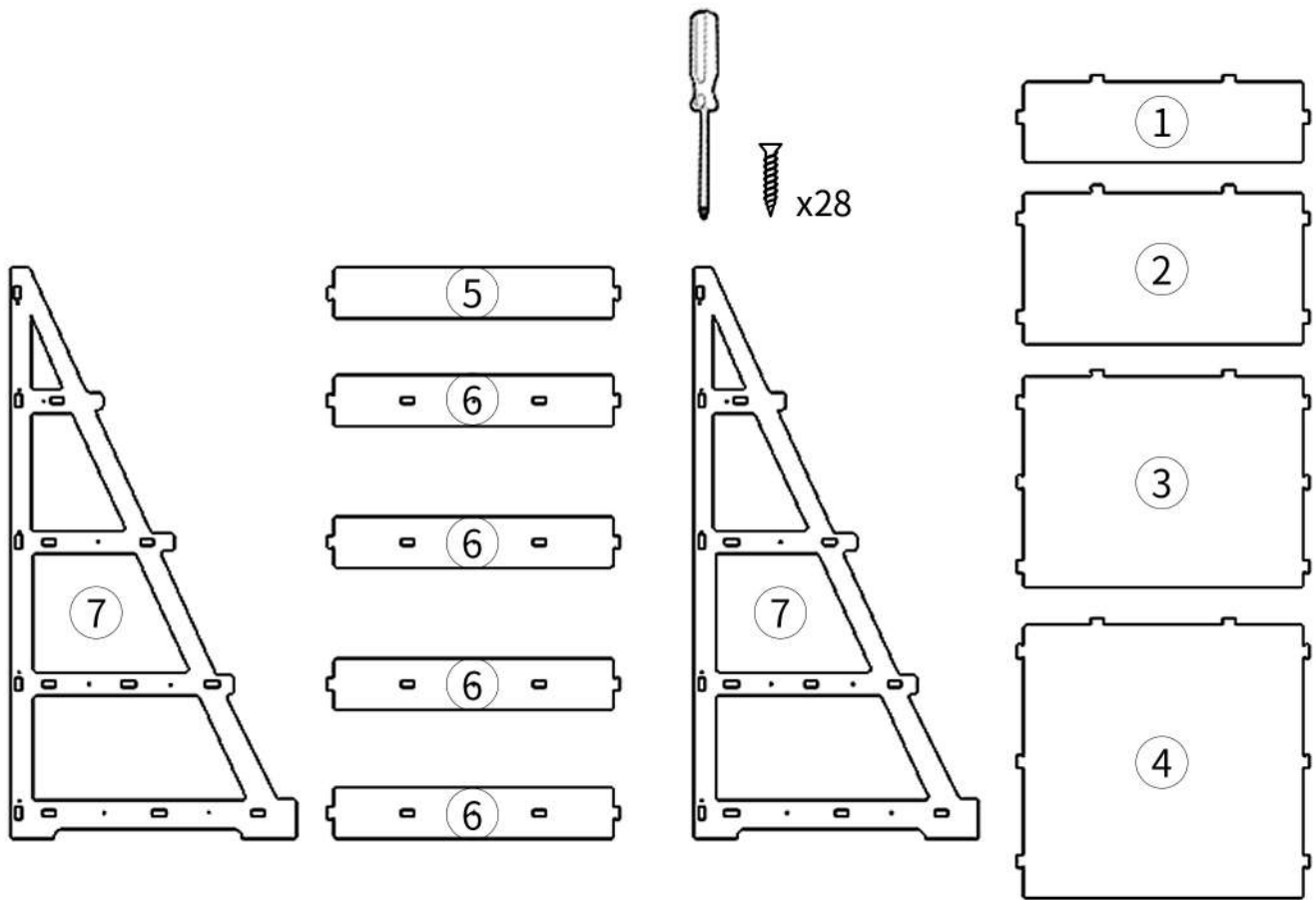
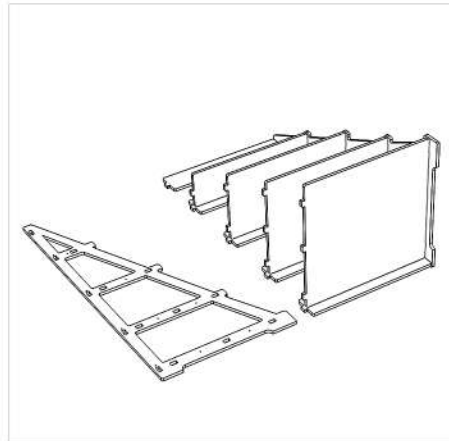


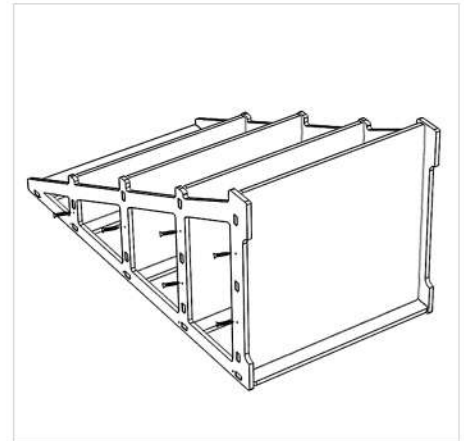
# INSTALLATION STEPS



**1** First install the No. 1, No. 2, No. 3, No. 4 boards on the No. 6 board.



**2** Install the previous step on the No. 7 board.



**3** Install the No. 7 plate as shown and fix it with screws.



**4** As shown, the entire product has been installed.