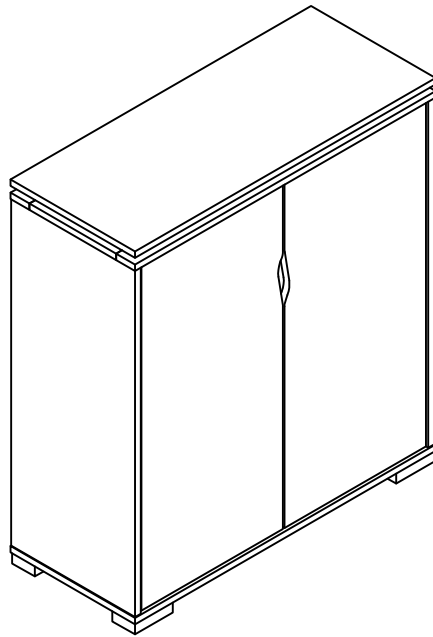


ASSEMBLY INSTRUCTION

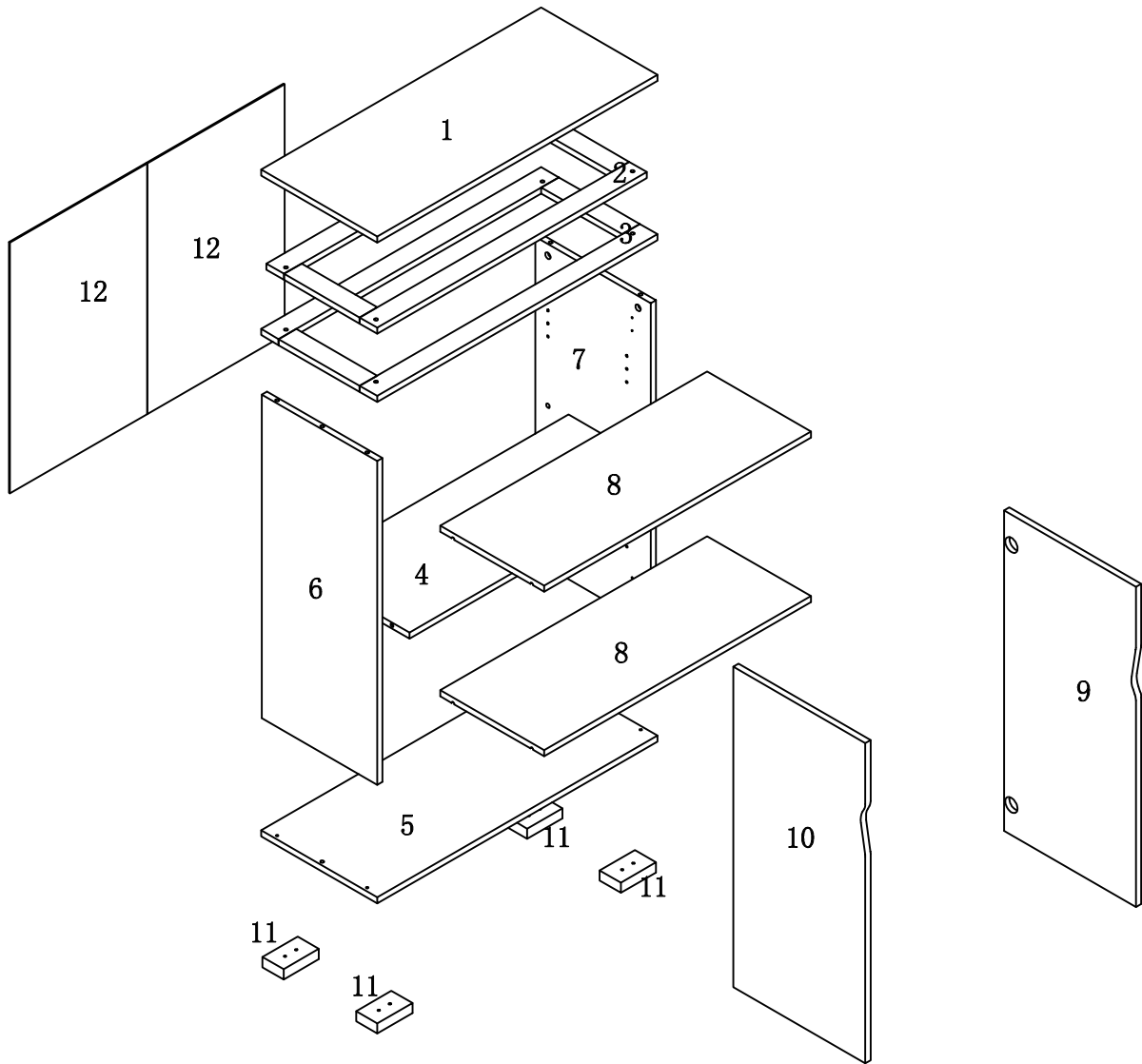
PLEASE READ BEFORE ASSEMBLING!

Tip #1: Make sure you've taken all the pieces and hardware out of its packaging before discarding the box.

Tip #2: Using page 2 and/or page 3 of instruction manual make sure all pieces and hardware are accounted for.






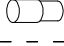




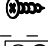


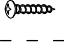

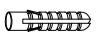


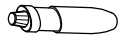


PARTS IDENTIFICATION

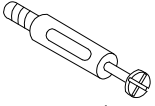

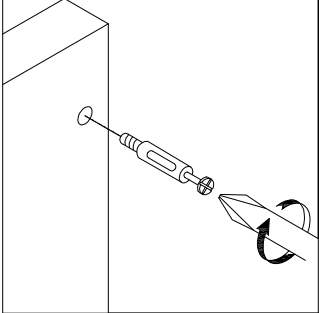
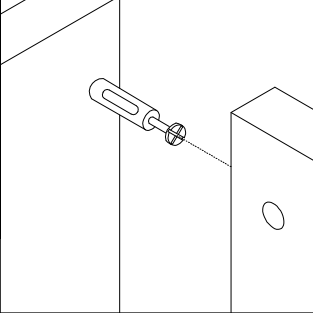
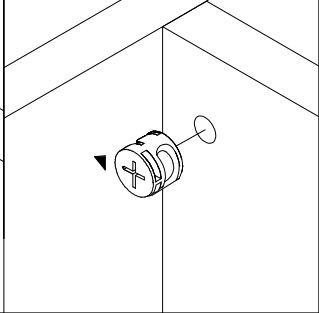
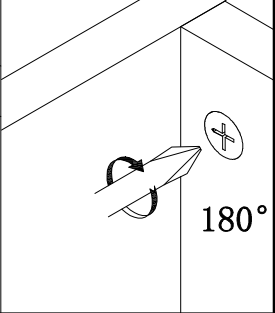


(1)	1pc	(9)	1pc
(2)	1pc	(10)	1pc
(3)	1pc	(11)	4pcs
(4)	1pc	(12)	2pcs
(5)	1pc		
(6)	1pc		
(7)	1pc		
(8)	2pcs		

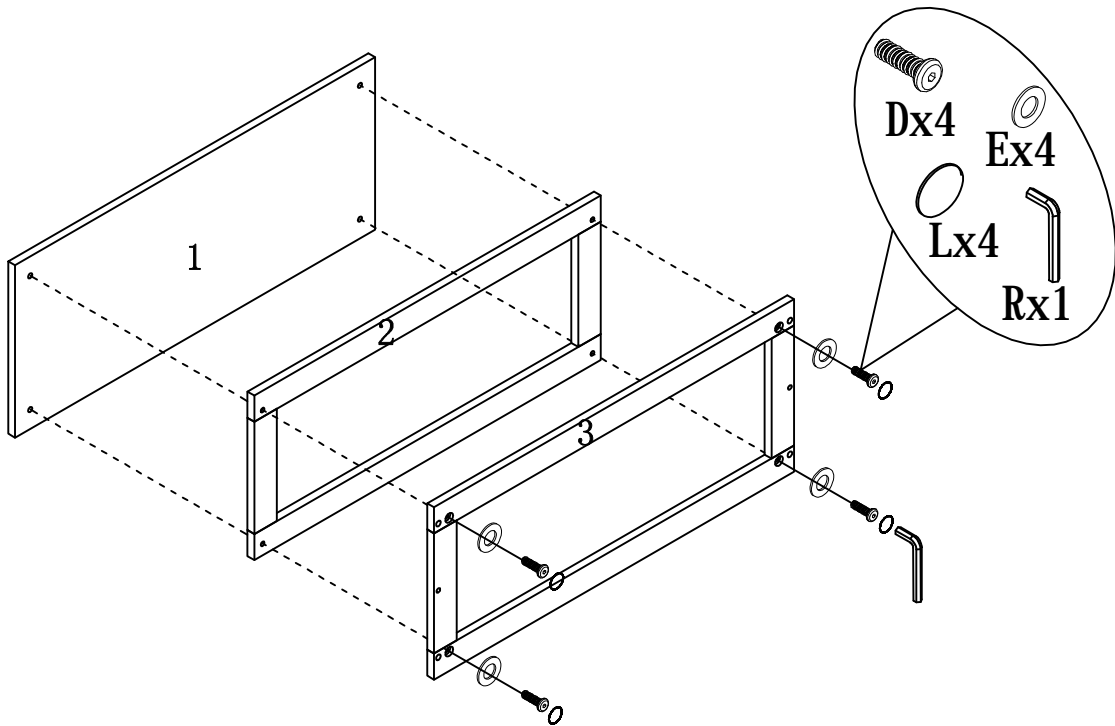
HARDWARE IDENTIFICATION

A		L29	8pcs
B		Ø15	8pcs
C		Ø8x25	6pcs
D		M6x35	4pcs
E		Ø8x16x2	4pcs
F		Ø5x10	8pcs
G		Ø4x30	12pcs
H			25pcs
I		Ø16	4pcs
J		301C	4pcs
K		Ø4x16	16pcs
L		Ø22	8pcs
M		197×5×1	1pc
N		Ø4×25	1pc
O		Ø5×40	1pc
P		Ø8×40	1pc
Q		12×12×1	2pcs
R		M4	1pc
S		Glue: For securing please apply to wood dowel first before inserting into panel	1PC

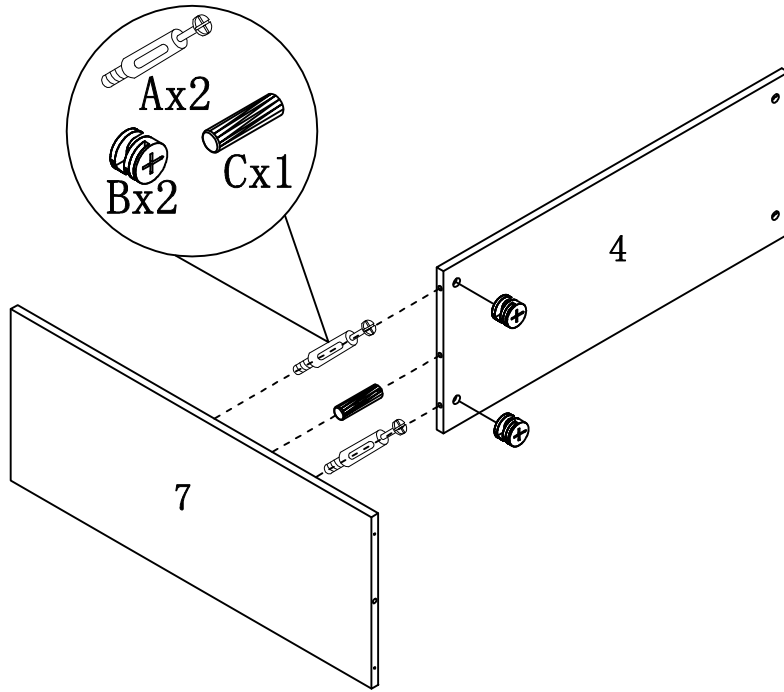
HARDWARE IDENTIFICATION

HOW TO	1	2	3	4
 <p>Cam Bolt</p>  <p>Cam Lock</p>	 <p>1. Screw Cam Bolt into panel.</p>	 <p>2. Insert Cam Bolt into bolt hole of joining panel.</p>	 <p>3. Insert Cam Lock. arrow facing bolt.</p>	 <p>4. Gently turn Cam Lock clockwise to lock position. 180°</p>

STEP1

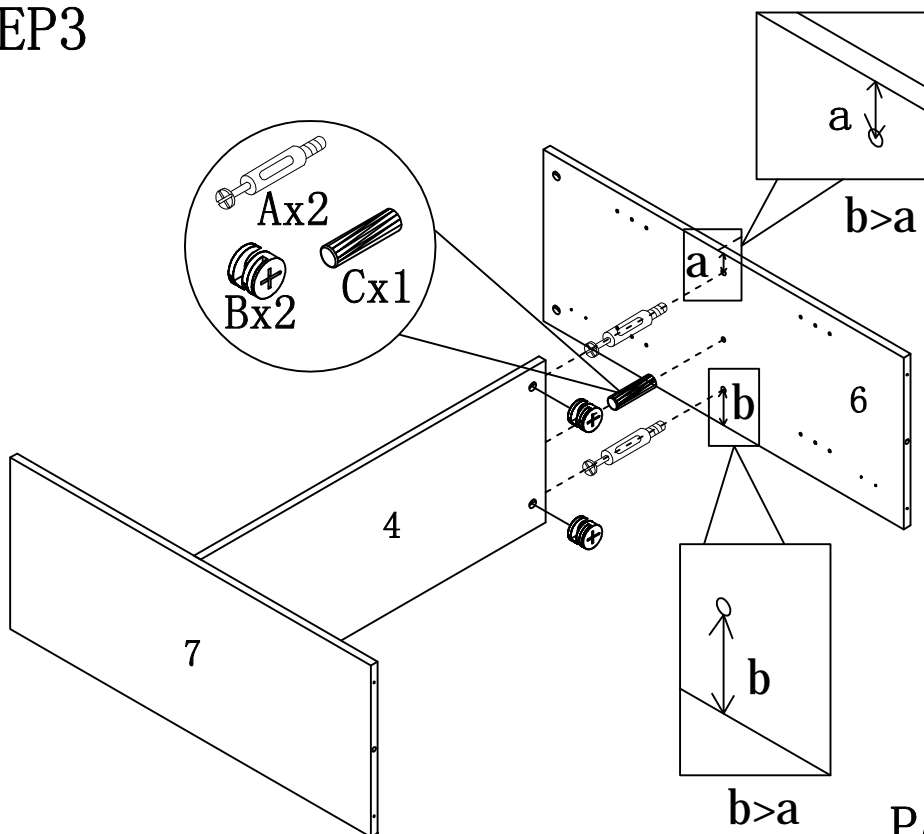


HARDWARE IDENTIFICATION

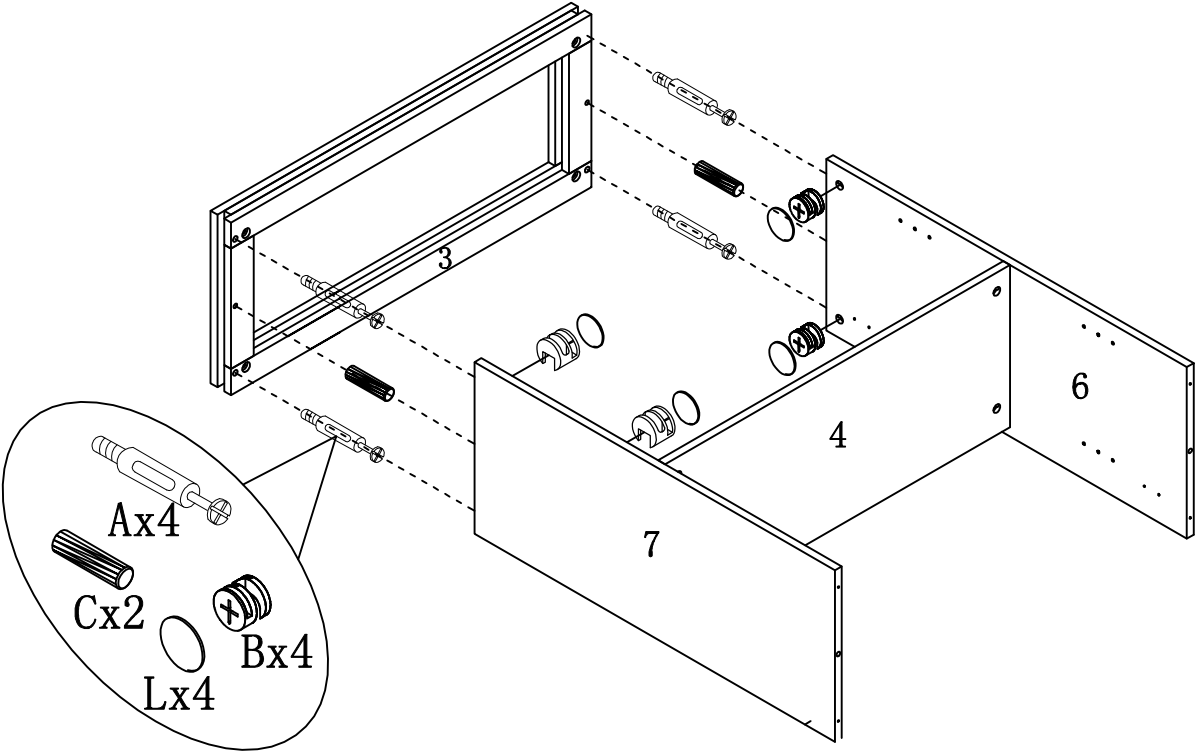


STEP2

STEP3

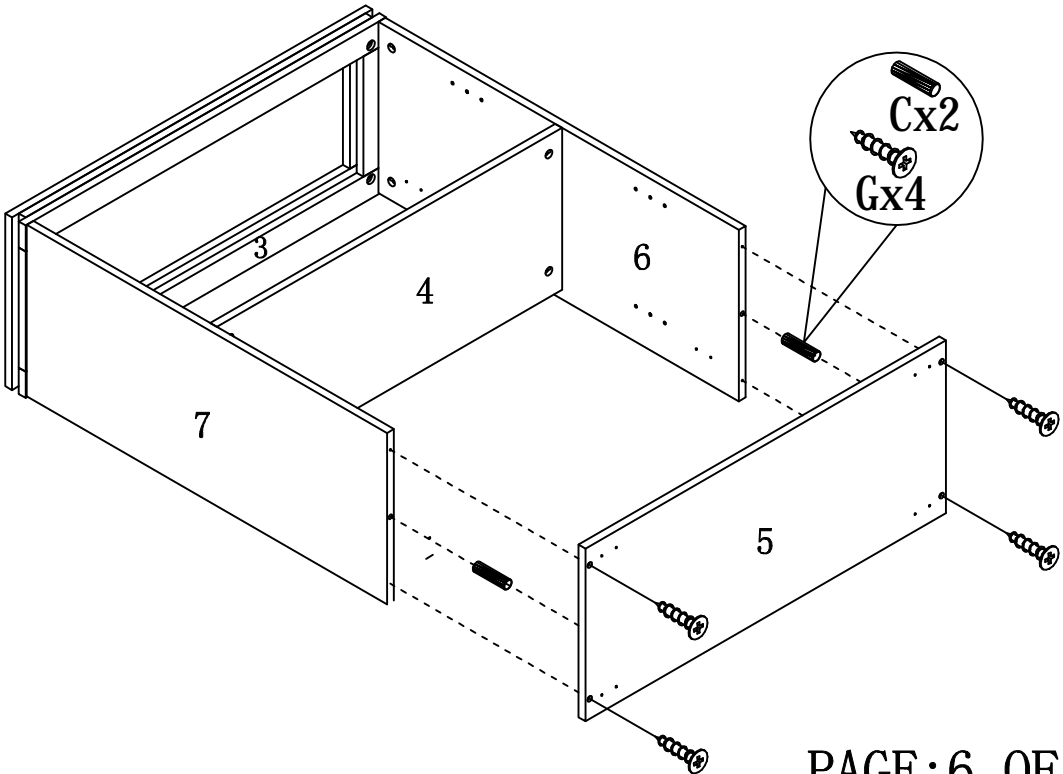


HARDWARE IDENTIFICATION

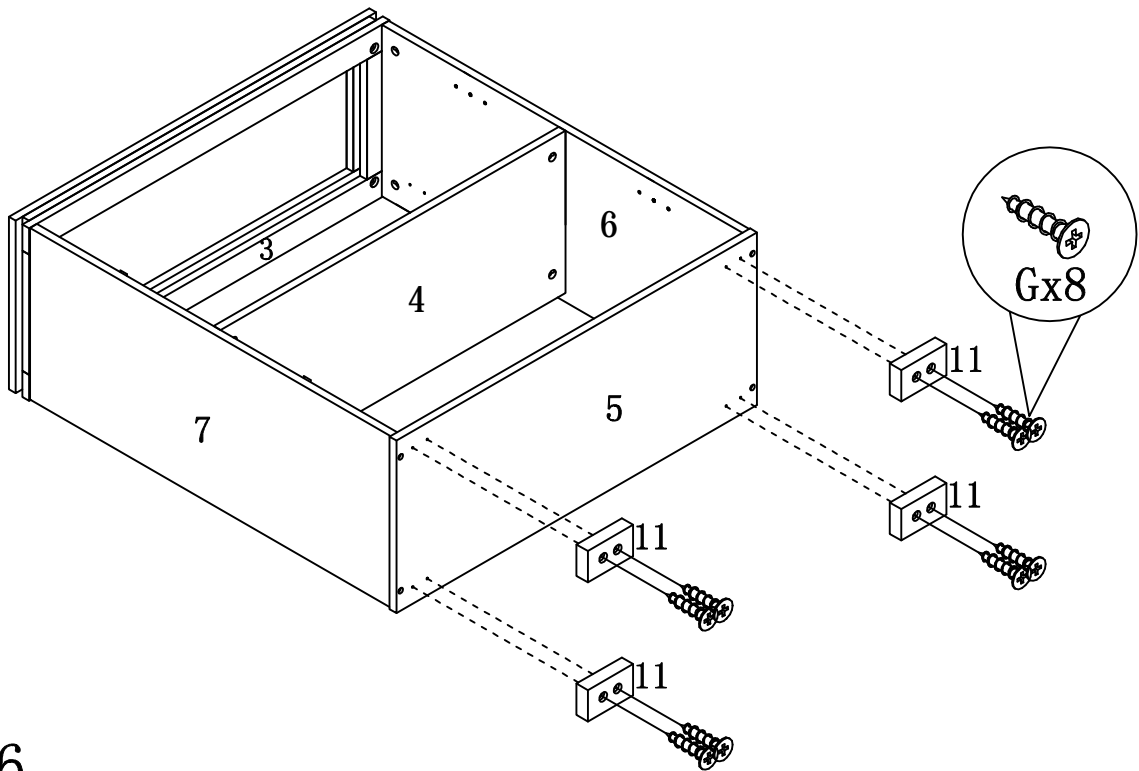


STEP4

STEP5

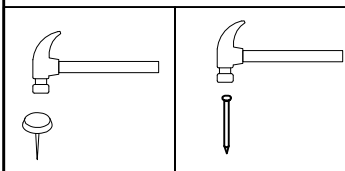
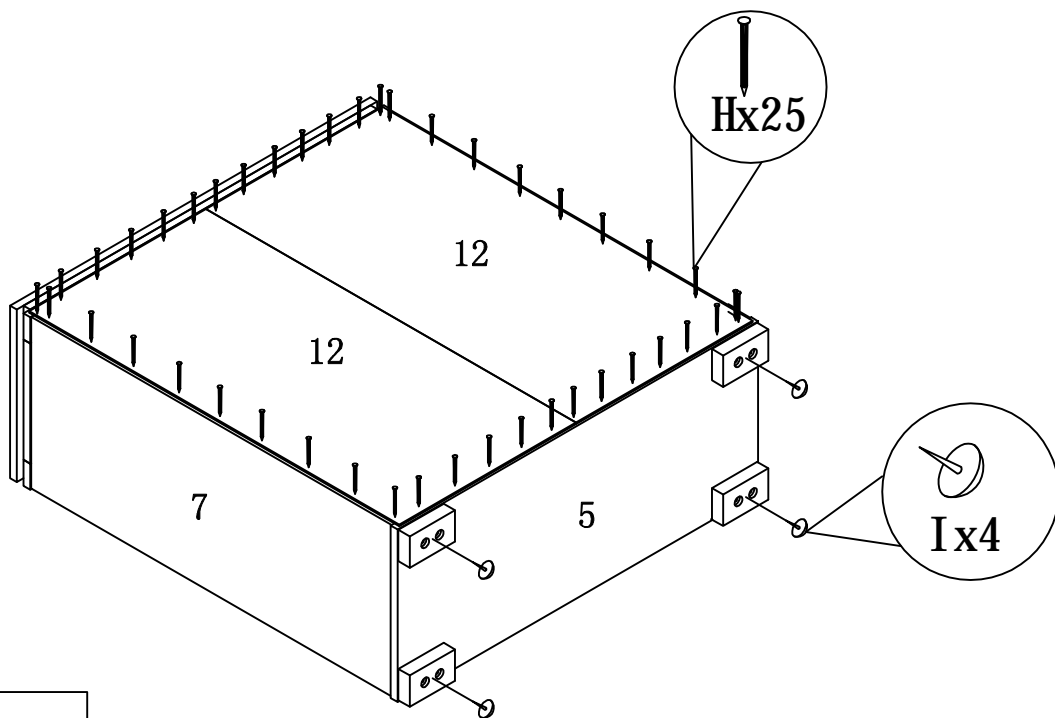


HARDWARE IDENTIFICATION

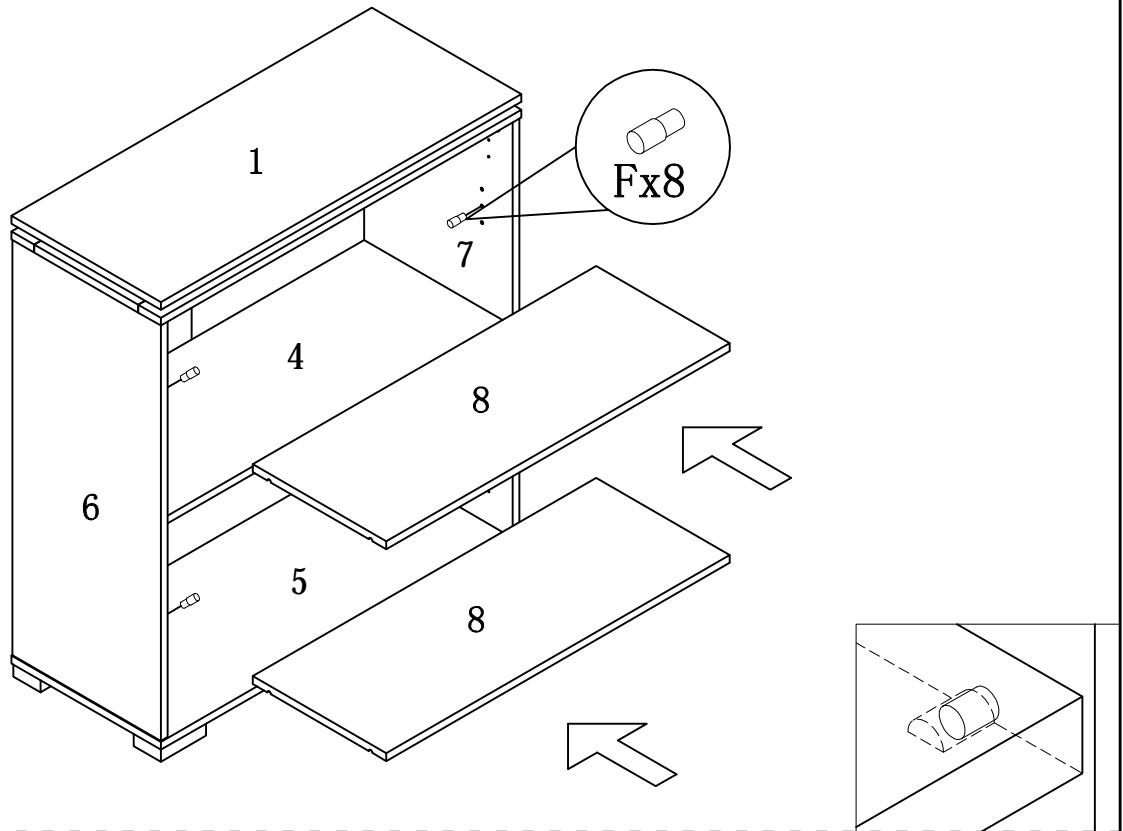


STEP6

STEP7

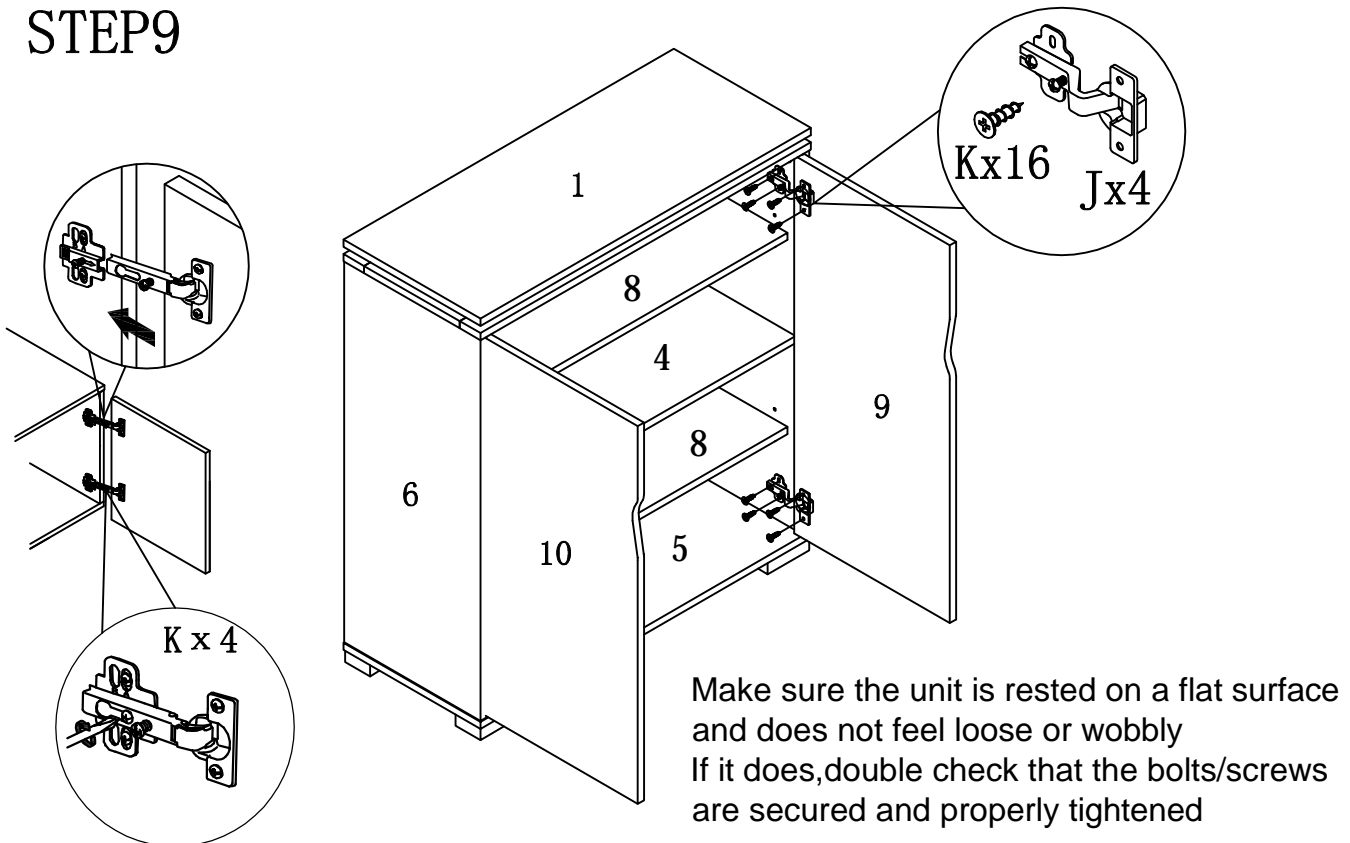


HARDWARE IDENTIFICATION



STEP8

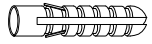
STEP9



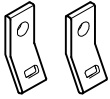
Make sure the unit is rested on a flat surface and does not feel loose or wobbly
If it does, double check that the bolts/screws are secured and properly tightened

ANTI-TIPPING STRAP INSTRUCTION

HARDWARE (INCLUDED) :



DRYWALL ANCHOR $\phi 8 \times 40$ X 1PC



METAL BRACKETS $12 \times 12 \times 1$ X 2PCS



DRYWALL SCREW $\phi 5 \times 40$ X 1PC

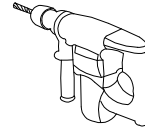


STRAP $197 \times 5 \times 1$ X 1PC



FLATHEAD SCREW $\phi 4 \times 25$ X 1PC

TOOLS NEEDED (NOT INCLUDED) :



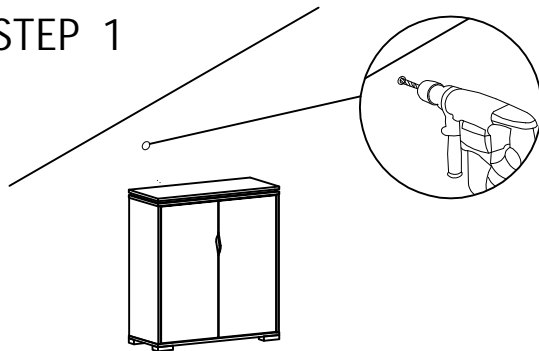
DRILL & DRILL BIT



LIGHT HAMMER

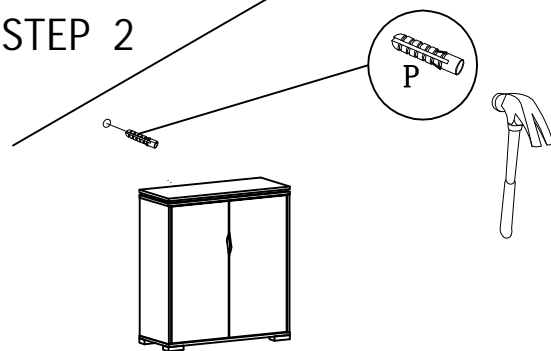
Note: Hardware included only compatible with standard drywalls.

STEP 1



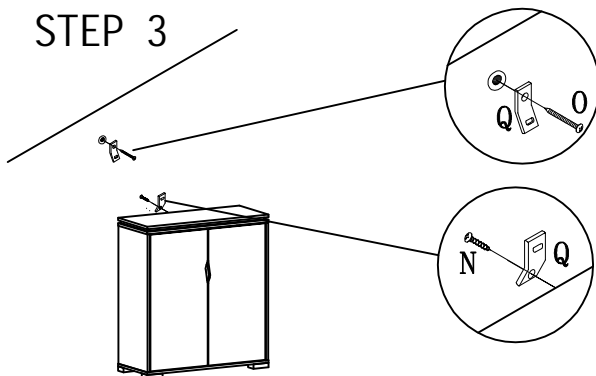
1. Find spot on wall 1" below top of item.
2. Using a drill bit slightly thinner than anchor, drill hole into drywall.

STEP 2



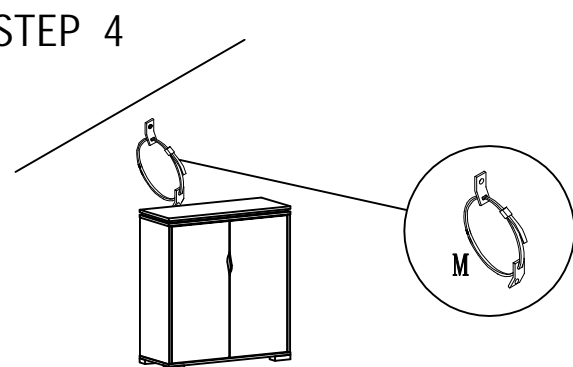
1. Use a light hammer to tap anchor into hole.
2. Anchor should fit snugly. If hole is too small, drill again to increase hole size. Do not force anchor into wall.

STEP 3



1. Insert drywall screw into metal bracket and into drywall anchor.
2. Insert flathead screw into second metal bracket and into back of item along top edge.

STEP 4



1. Insert strap thru bracket attached to wall, then thru bracket on item, and into head of strap.
 2. pull lightly til strap stops.
- Assembly is complete.