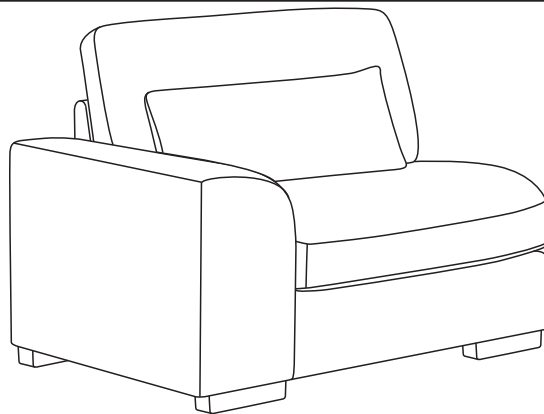


ASSEMBLY INSTRUCTION

ITEM NO.:LG-7753/LG-7754/LG-7757/LG-7758



PARTS LIST

A	B	C	D	E	F
X1	X1	X1	X1	X1	X1

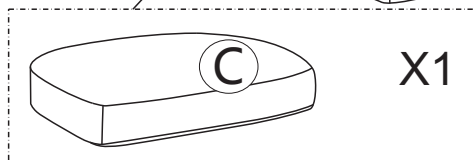
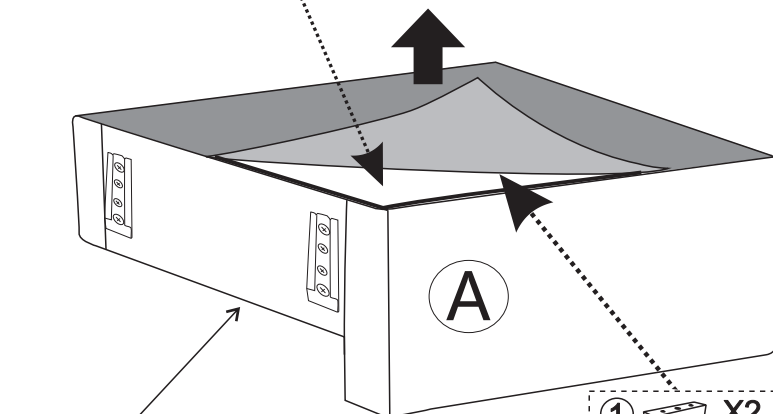
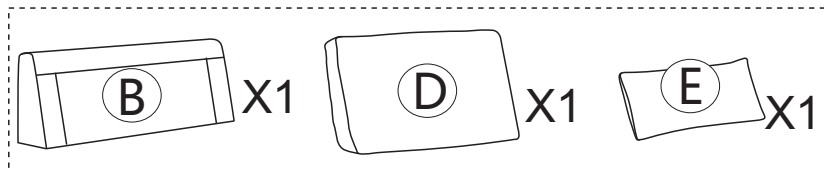
HARDWARE LIST

200x60x50mm	φ 60x50mm		M8X60	M5X50	M5
1	2	3	4	5	6
X3	X3	X2	X3	X6	X1

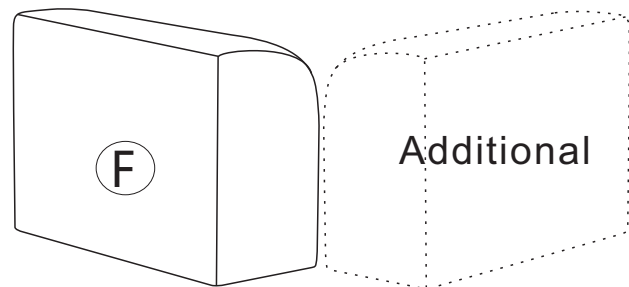
Packing Details

Carton 1-2

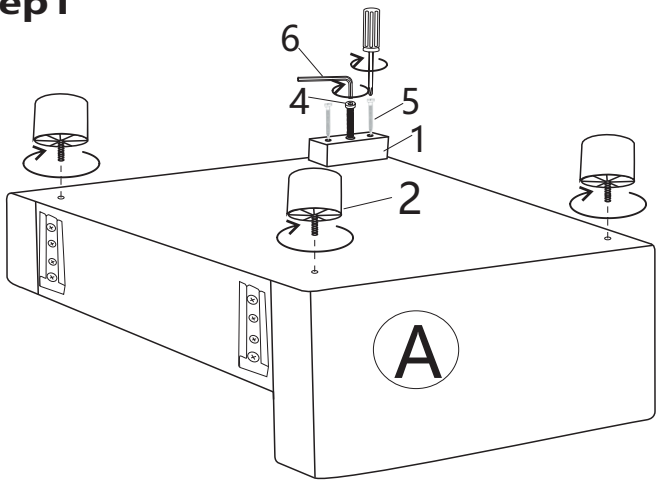
Carton 2-2



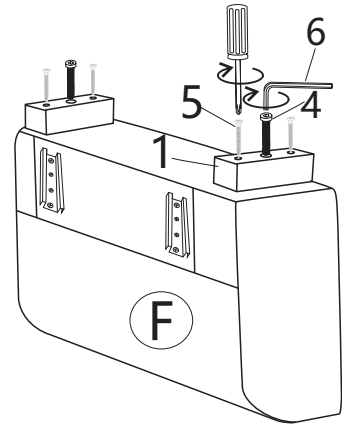
- ① X2
- ② X2
- ③ X2
- ④ X2
- ⑤ X4
- ⑥ X1



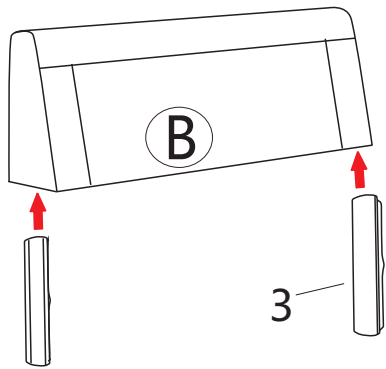
Step1



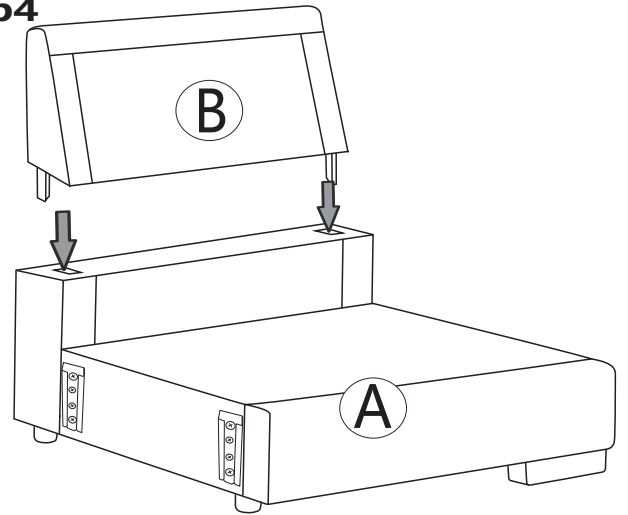
Step2



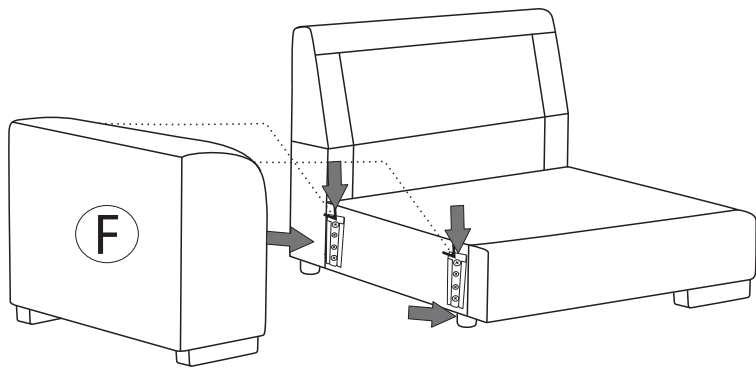
Step3 Please pay attention to follow this step to assemble!



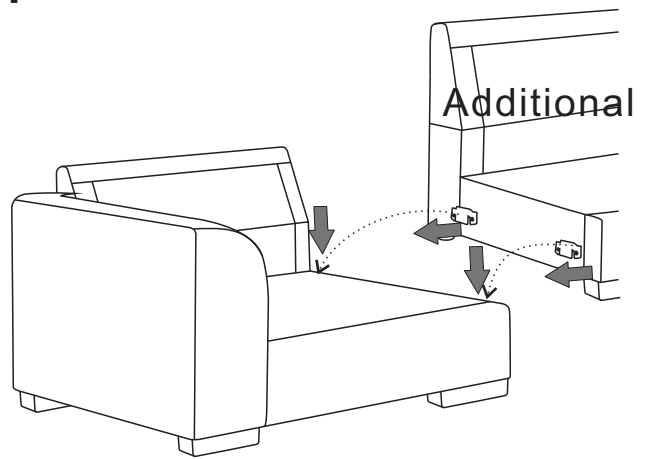
Step4



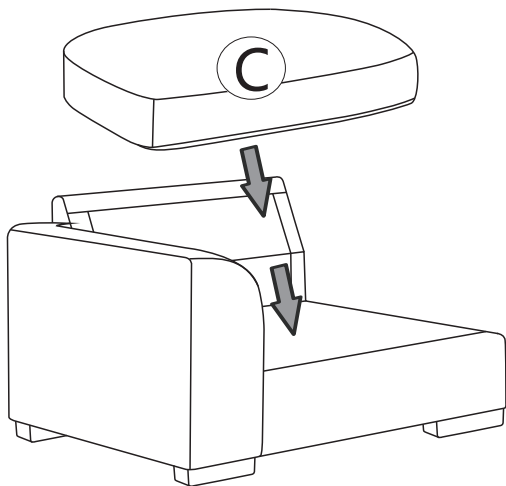
Step5



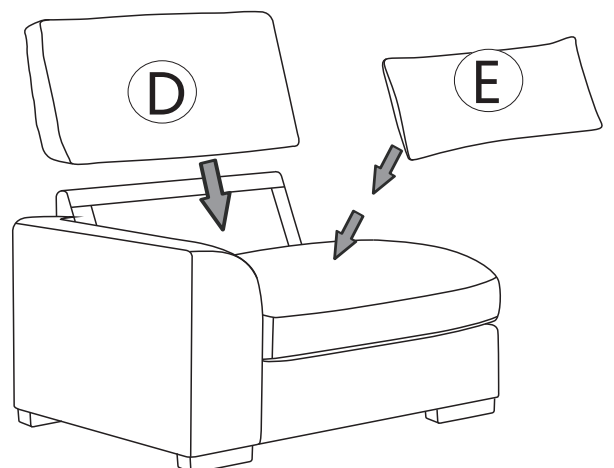
Step6



Step7

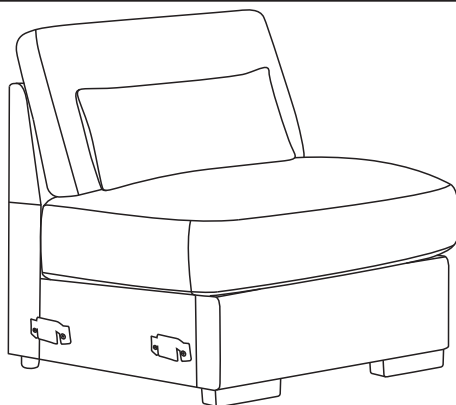


Step8



ASSEMBLY INSTRUCTION

ITEM NO.:LG-7753/LG-7754/LG-7757/LG-7758

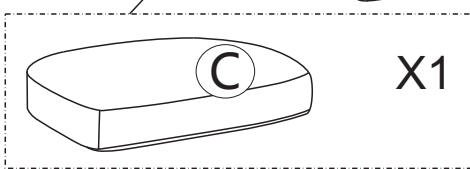
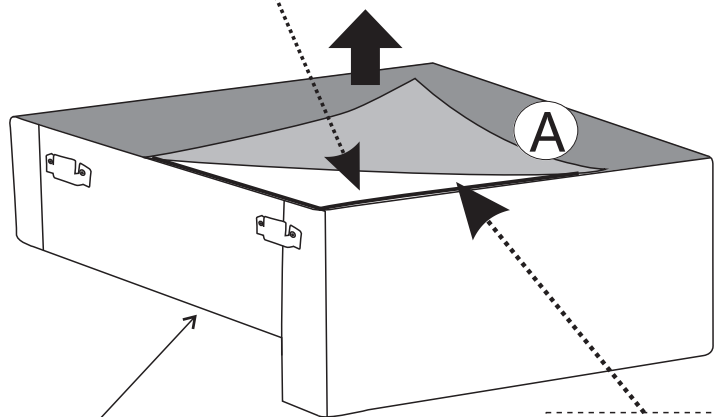
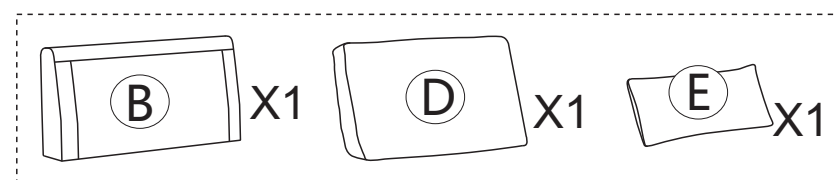


PARTS LIST

A	B	C	D	E
X1	X1	X1	X1	X1

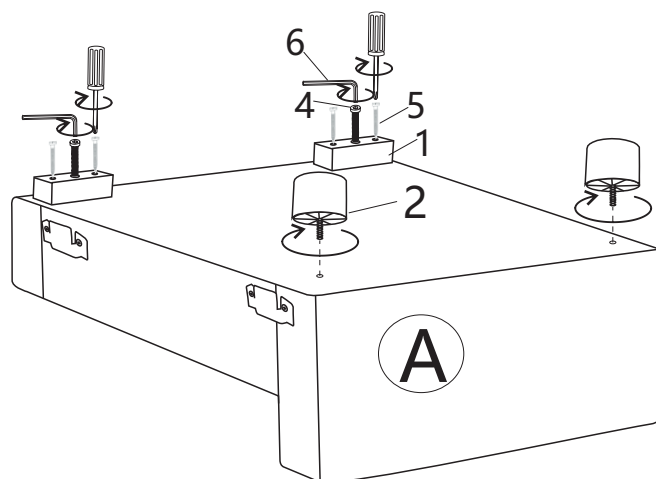
HARDWARE LIST

200x60x50mm	φ 60x50mm		M8X60	M5X50
1	2	3	4	5
X2	X2	X2	X2	X4

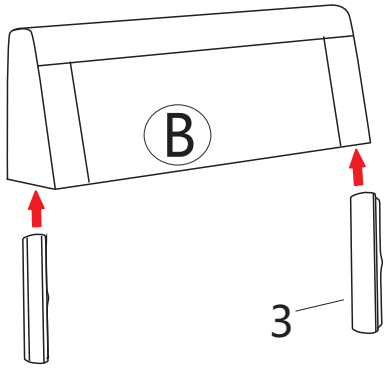


- ① X2
- ② X2
- ③ X2
- ④ X2
- ⑤ X4

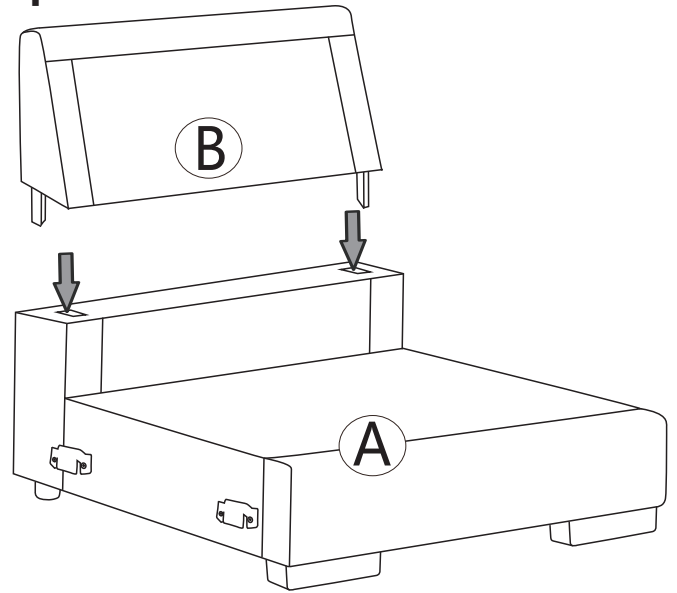
Step 1



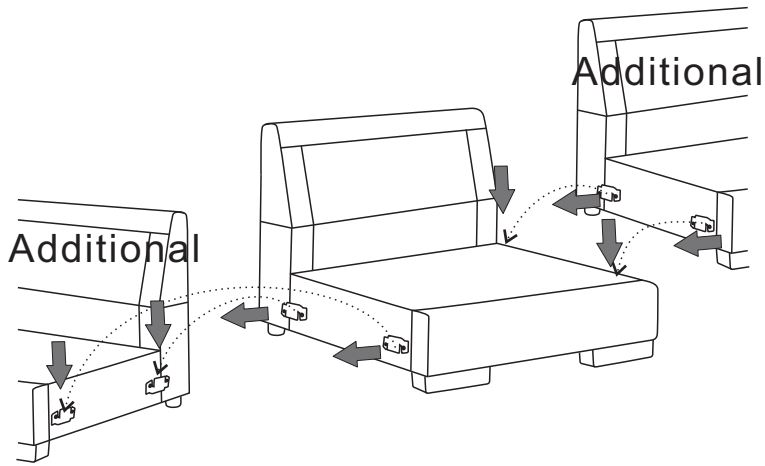
Step2 Please pay attention to follow this step to assemble!



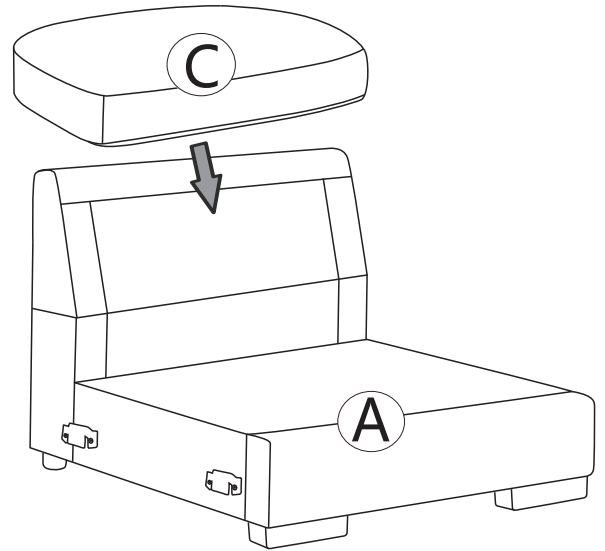
Step3



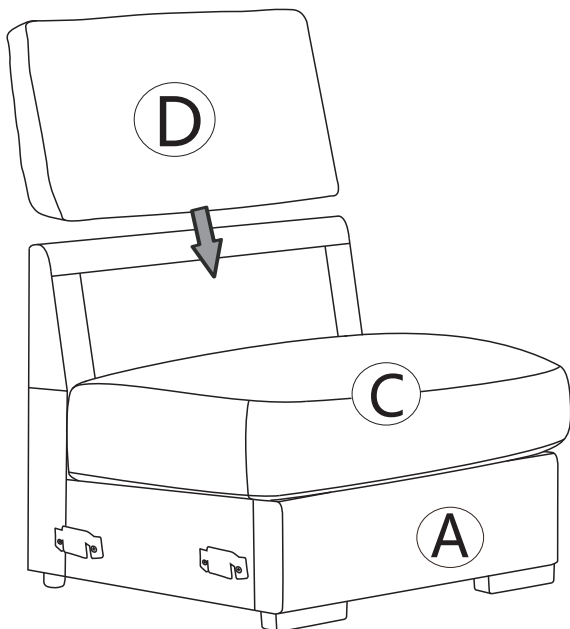
Step4



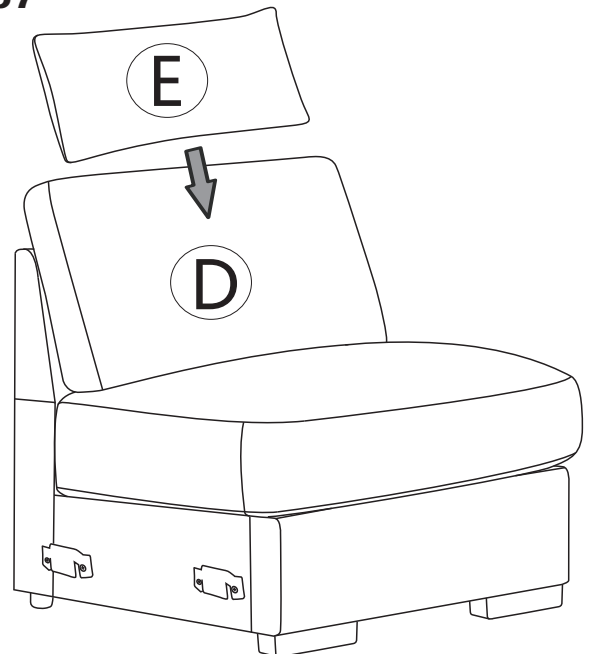
Step5



Step6

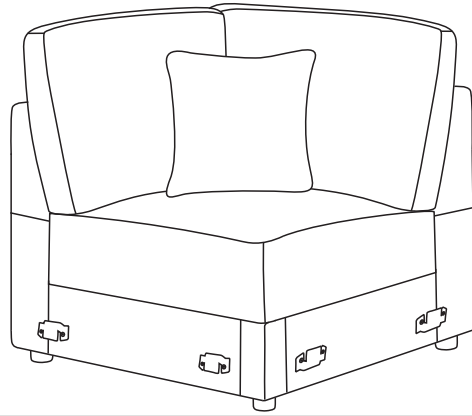


Step7



ASSEMBLY INSTRUCTION

ITEM NO.:LG-7753/LG-7754/LG-7757/LG-7758

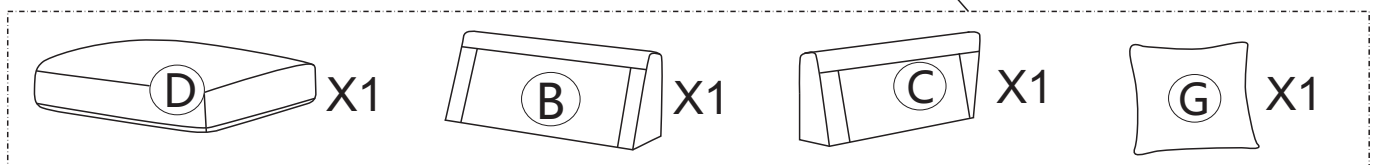
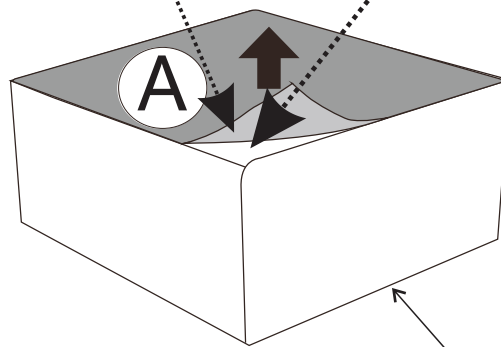
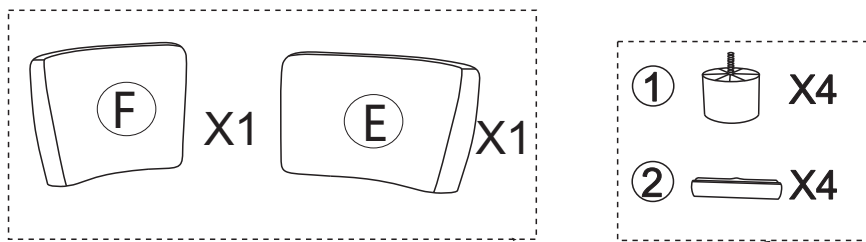


PARTS LIST

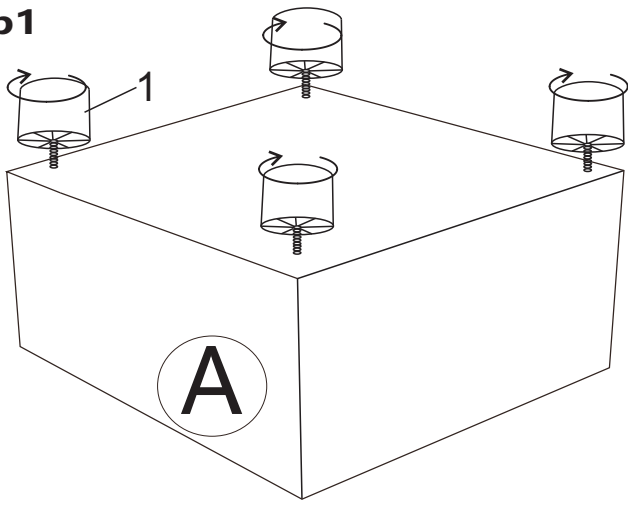
A	B	C	D	E	F
X1	X1	X1	X1	X1	X1

HARDWARE LIST

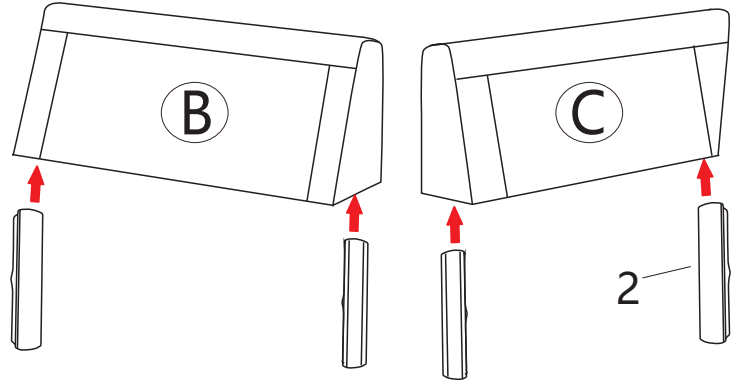
ϕ 60X50mm		G
1 X4	2 X4	X1



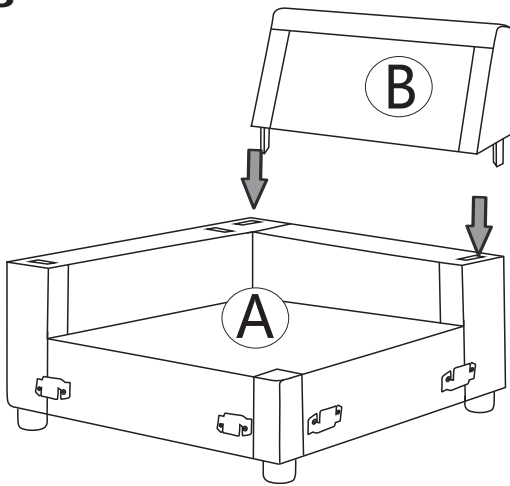
Step1



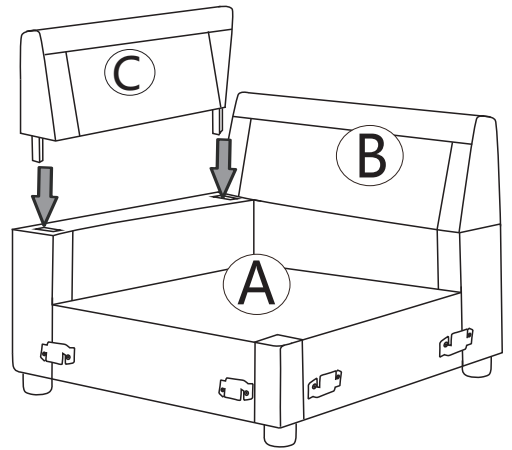
Step2 Please pay attention to follow this step to assemble!



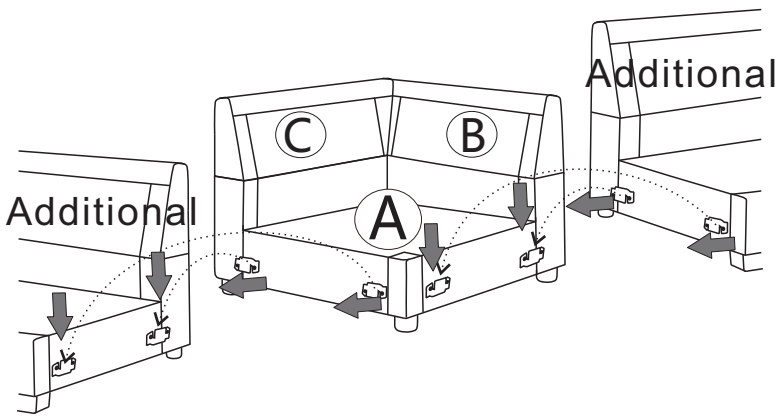
Step3



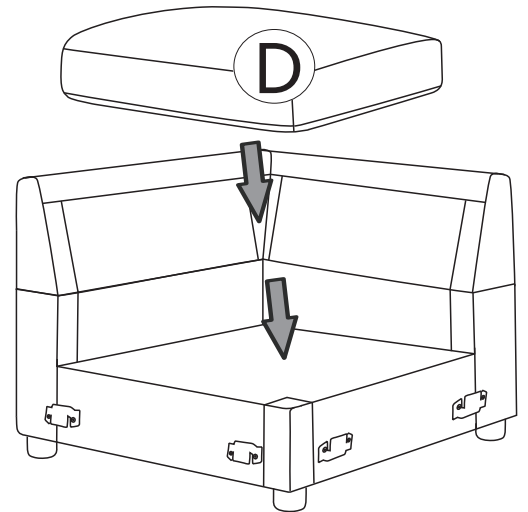
Step4



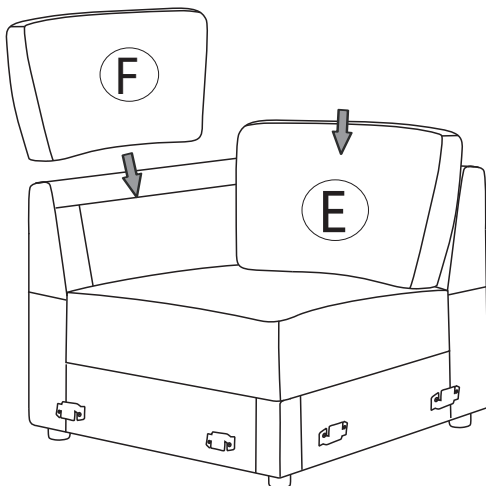
Step5



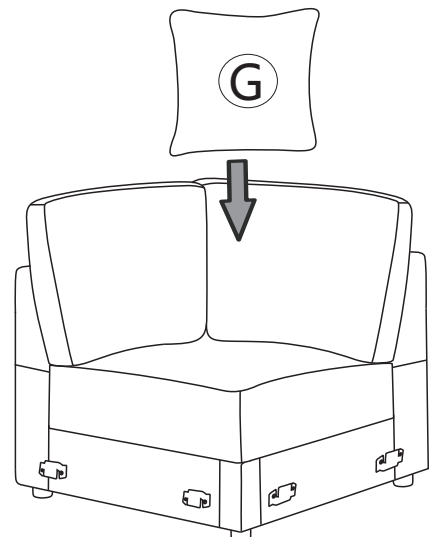
Step6



Step7

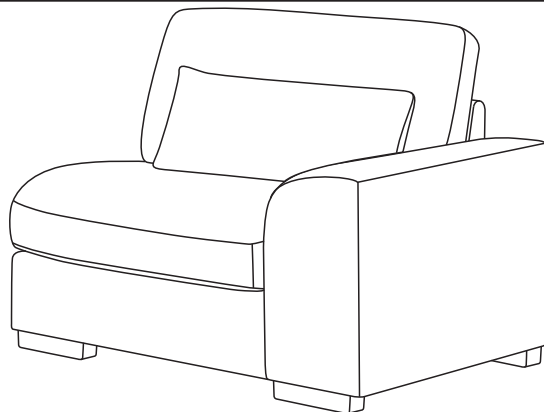


Step8



ASSEMBLY INSTRUCTION

ITEM NO.:LG-7753/LG-7754/LG-7757/LG-7758



PARTS LIST

A	B	C	D	E	F
X1	X1	X1	X1	X1	X1

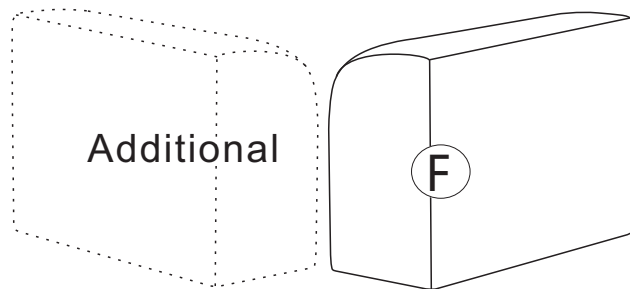
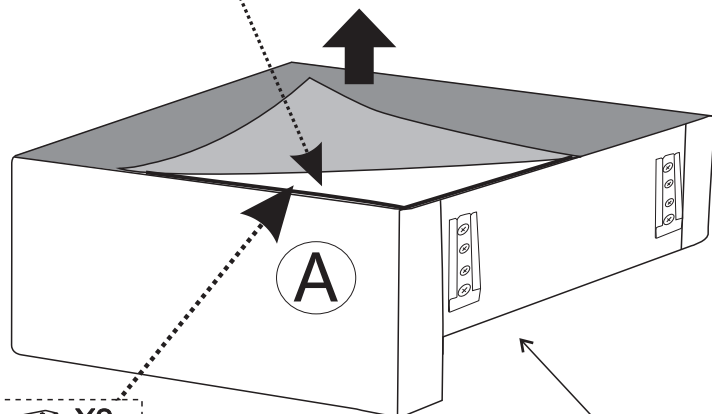
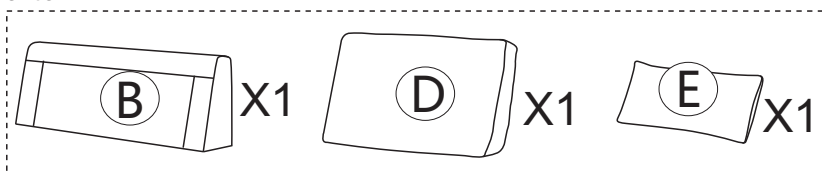
HARDWARE LIST

200x60x50mm	∅ 60x50mm		M8X60	M5X50	M5
1	2	3	4	5	6
X3	X3	X2	X3	X6	X1

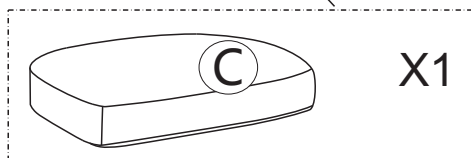
Packing Details

Carton 1-2

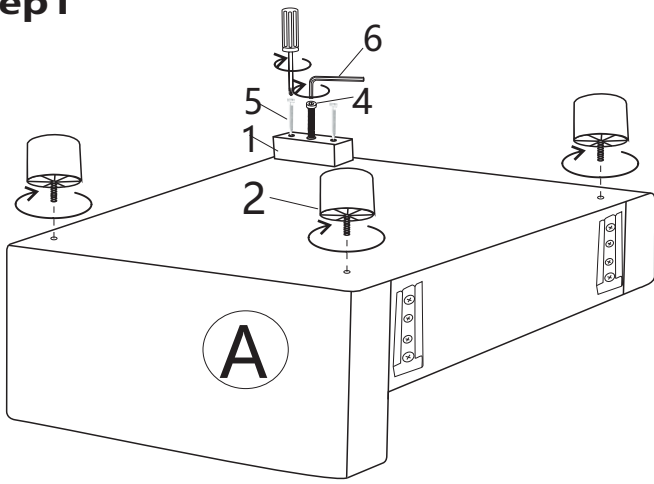
Carton 2-2



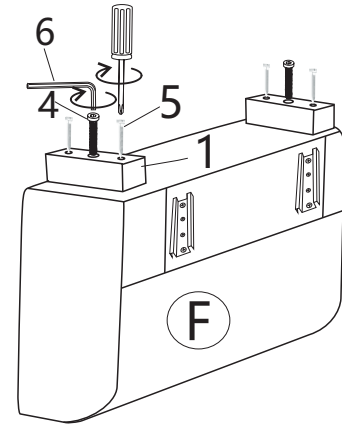
- ① X2
- ② X2
- ③ X2
- ④ X2
- ⑤ X4
- ⑥ X1



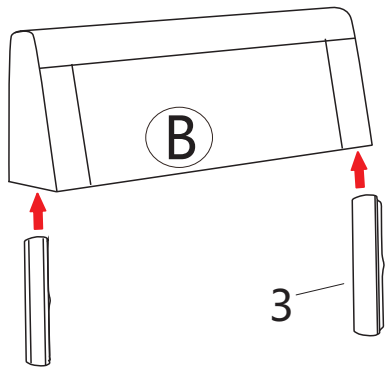
Step1



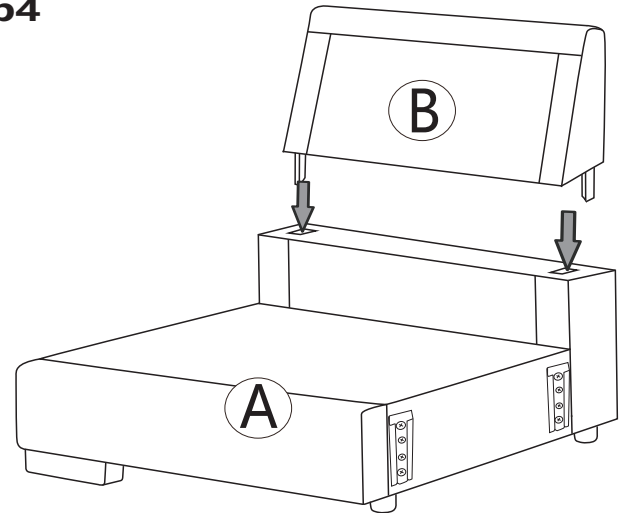
Step2



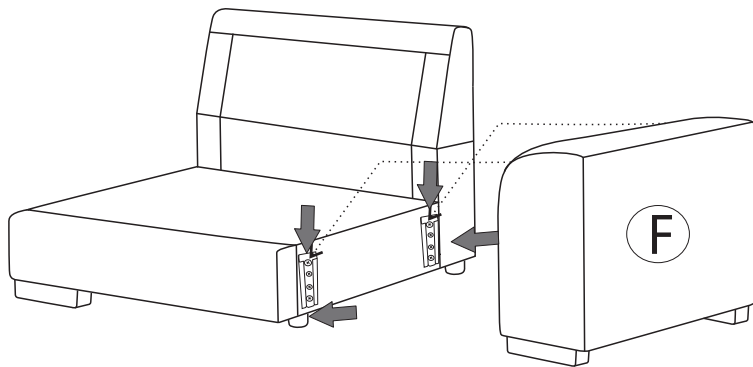
Step3 Please pay attention to follow this step to assemble!



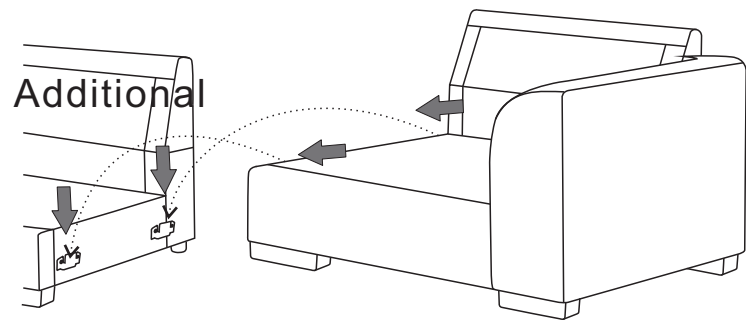
Step4



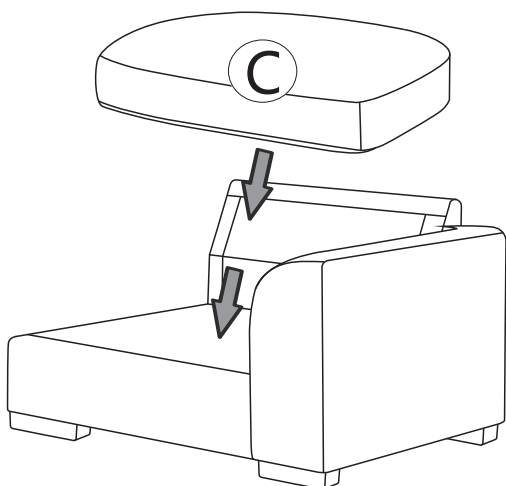
Step5



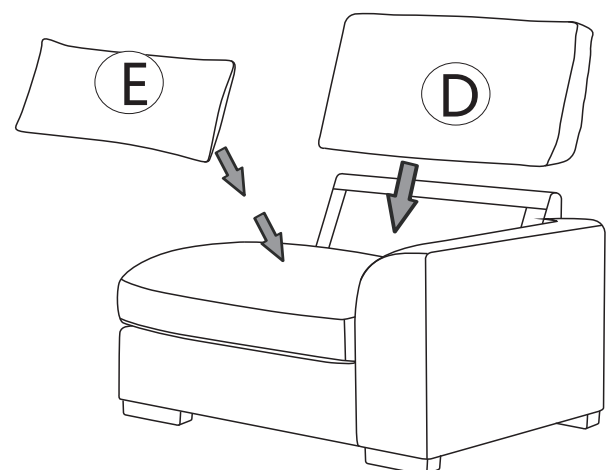
Step6



Step7

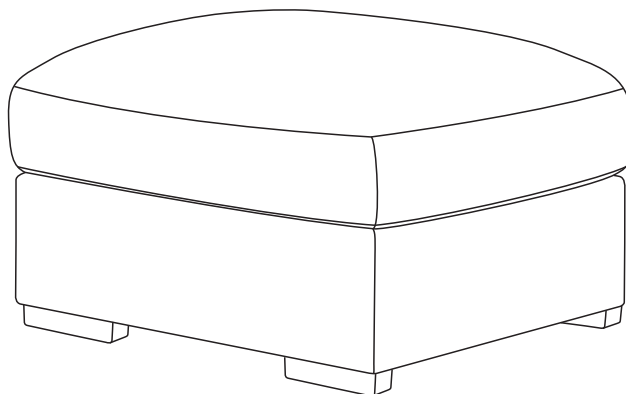


Step8



ASSEMBLY INSTRUCTION

ITEM NO.:LG-7753/LG-7754/LG-7757/LG-7758



PARTS LIST



A

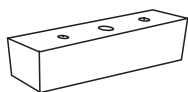
X1



B

X1

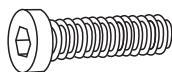
HARDWARE LIST



200x60x50mm

1

X4



M8X60

2

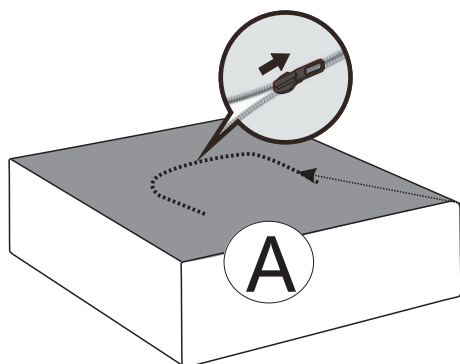
X4



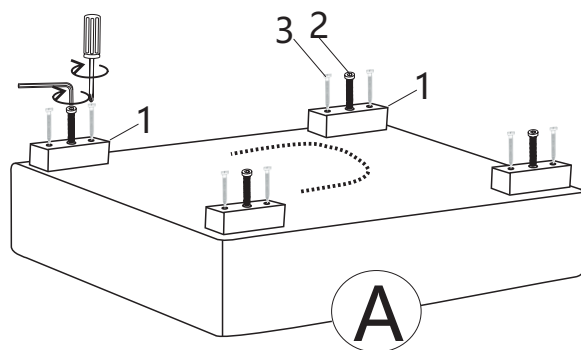
M5X50

3

X8



Step1



Step2

