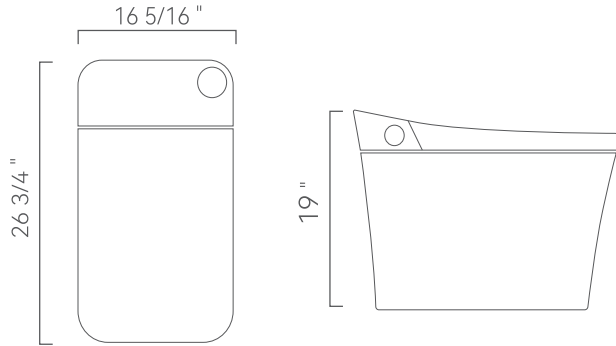


Appearance and dimensions of the product



Technical Parameter

Size : L26 3/4 " × W16 5/16 " × H19 "

Ceramics pit distance : 12 "

Rated power : 1150W

Water pressure requirement : 0.14–0.75MPa

Flush volume : ≤ 1.34 Gallon

Water efficiency grade : 2 grade

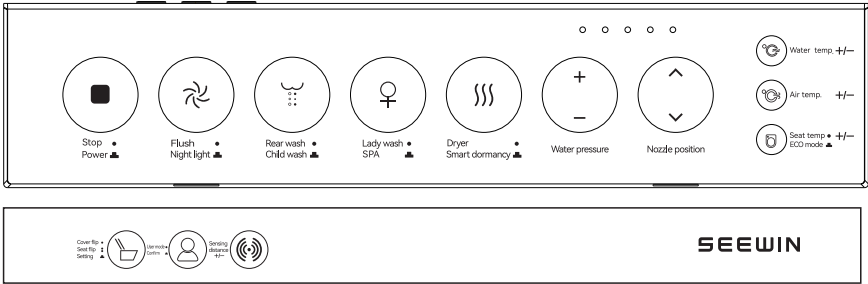


【 Features 】

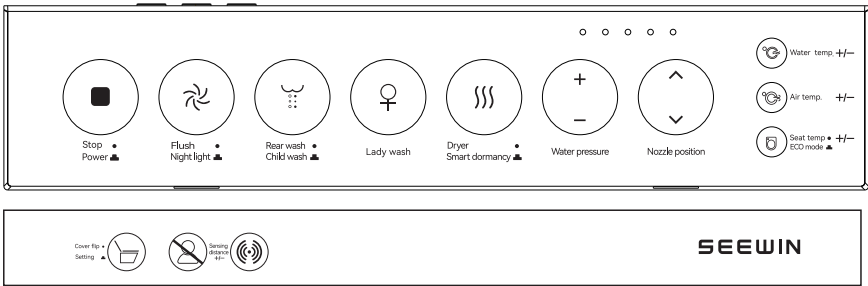
Configuration	G configuration		Z configuration		D configuration	
	Product model		Product model		Product model	
	CM1-G/CM2-G/CL-1G CL-5G/CL-6G/CH-1G	CM1-Z/CM2-Z/CL-1Z CL-5Z/CL-6Z/CH-1Z	CM1-D/CM2-D/CL-1D CL-5D/CL-6D/CH-1D			
Corresponding symbol description of configuration: ● Standard -N/A ○ Optional						
Functions	Nano aerated wash	●	●	●	●	●
	High water-flow wide cleaning	●	●	●	●	●
	Rear wash	●	●	●	●	●
	Child wash	●	●	●	●	-
	Lady wash	●	●	●	●	●
	One-touch SPA	●	-	-	-	-
	Oscillating cleaning	●	●	●	●	●
	Adjustable water temperature	●	●	●	●	●
	Adjustable water pressure	●	●	●	●	●
	Adjustable nozzle position	●	●	●	●	●
	Adjustable seat temperature	●	●	●	●	●
	Adjustable air temperature	●	●	●	-	-
	LED Digital display	●	●	●	-	-
	One-touch closable night light	●	●	●	●	●
	Rapid drying	●	●	●	-	-
	Soft close	●	●	●	●	●
	Self-cleaning nozzle	●	●	●	●	●
	Frequency conversion instant living water heating system	●	●	●	●	●
	ECO mode	●	●	●	●	●
	Intelligent deodorization	●	-	-	-	-
Off-seat flush	●	●	●	●	●	
Remote flush	●	●	●	●	●	
Power-off flush	●	-	-	-	-	
Foot sensor open cover	●	●	●	●	-	
Auto open/close cover	●	●	●	●	●	
Remote open cover	●	●	●	●	●	
Remote open/close seat	●	-	-	-	-	
One-touch closable and adjustable sensing distance	●	●	●	●	●	
User mode with 4 selectable users	●	-	-	-	-	
Power off memory	●	●	●	●	●	
Foot sensor flush	●	●	●	●	-	
Foot sensor open/close seat	●	-	-	-	-	
Safety protection	Smart dormancy	●	●	●	●	●
	Nano grade ultrafiltration filter	○	○	○	○	○
	Low temperature scald protection	●	●	●	●	●
	SS316 medical grade nozzle	●	●	●	●	●
	Eleven fold protection	●	●	●	●	●
	Nozzle UV sterilization	●	-	-	-	-
	Antibacterial wear-resistant ceramics glaze containing zirconium	●	●	●	●	●
	VO+5VA grade fire retardant material	●	●	●	●	●

※ Regarding the particular configuration, please refer to the physical goods.

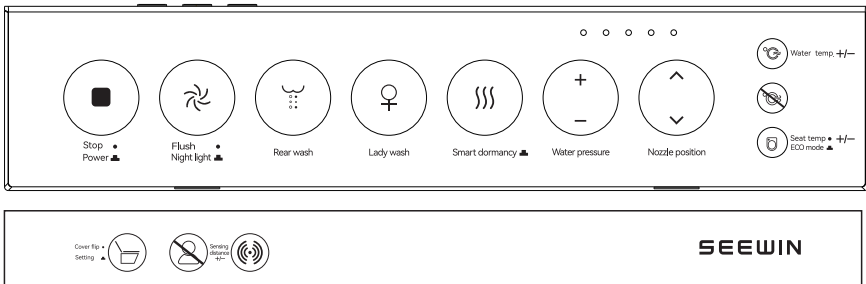
G Model remote control



Z Model remote control



D Model remote control



※ Regarding the particular configuration, please refer to the physical goods.

