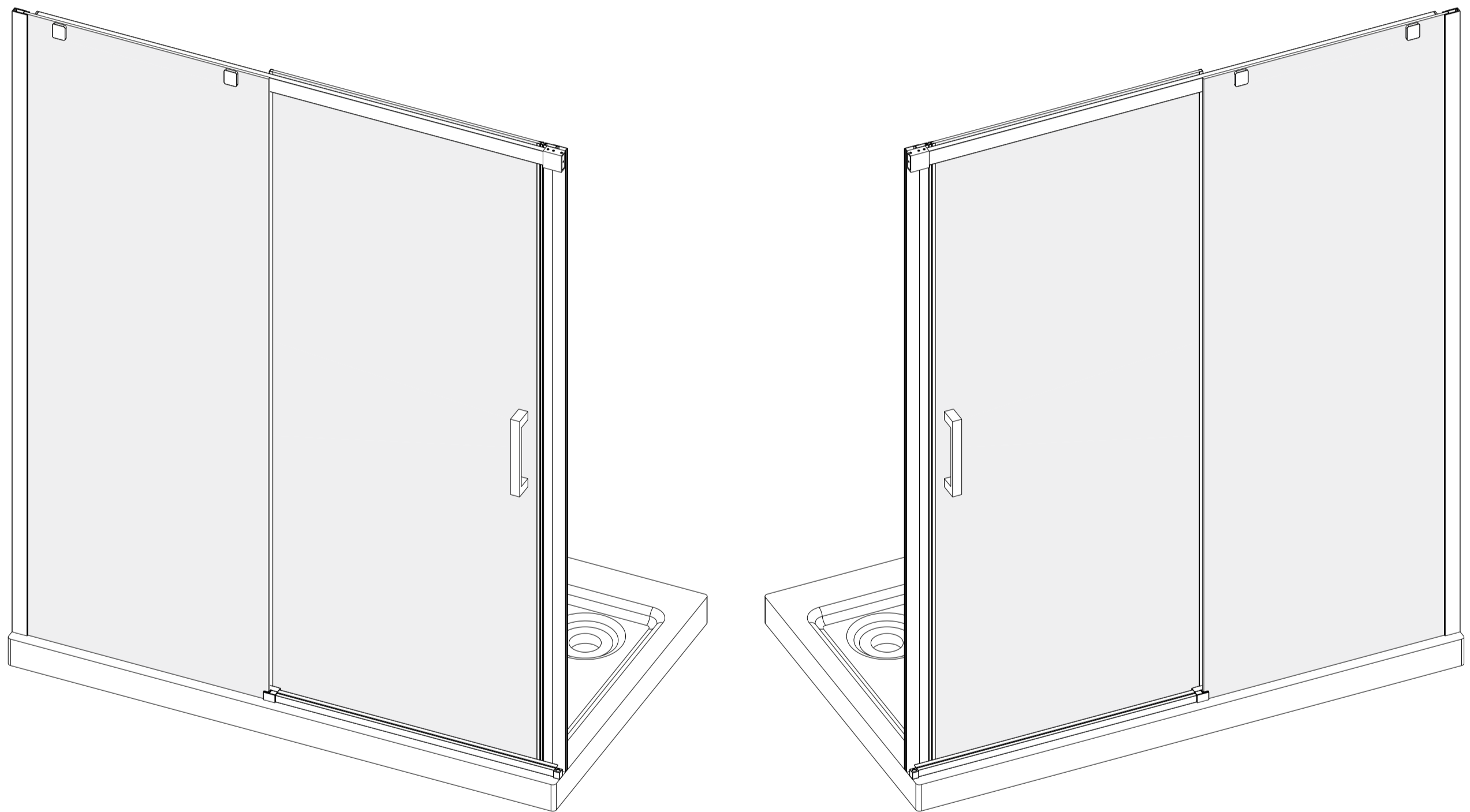


Shower Door Installation Instructions



**Please do not return the product to the store.
Contact us with any questions.**

Model Specific Preparation

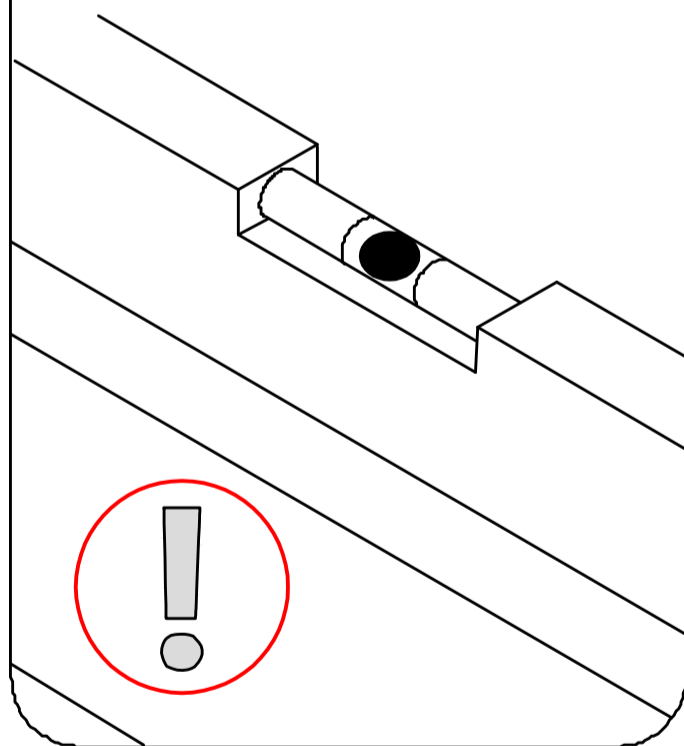


REQUIRED:

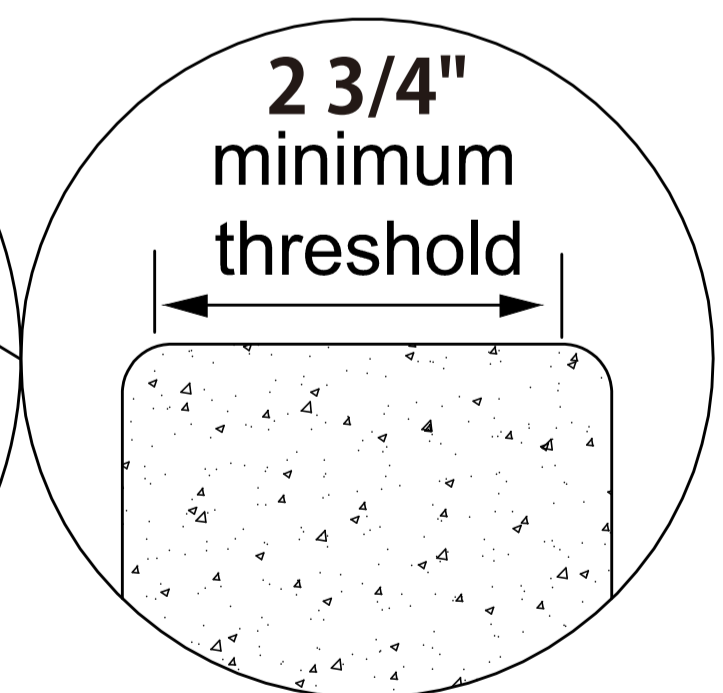
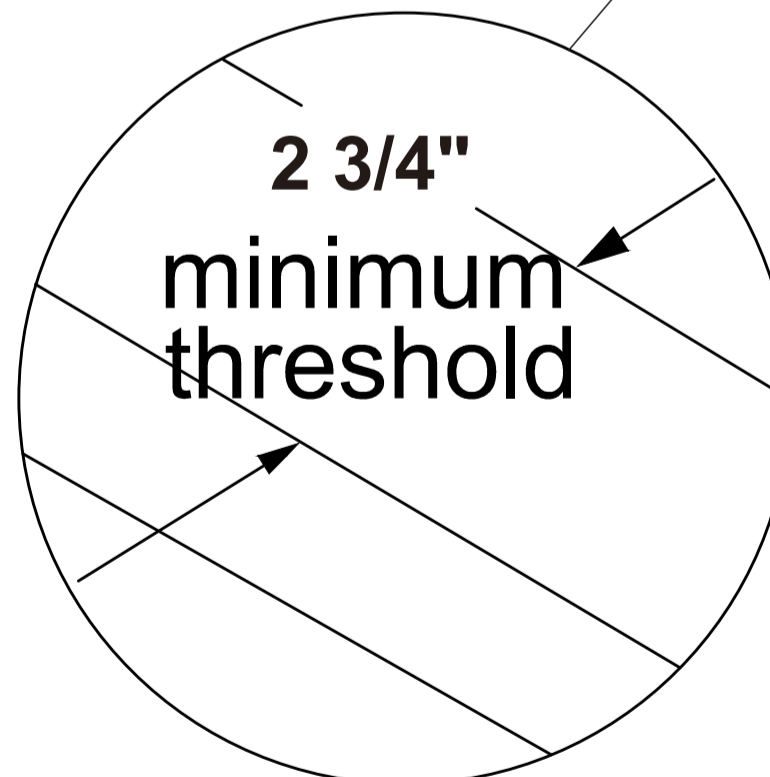
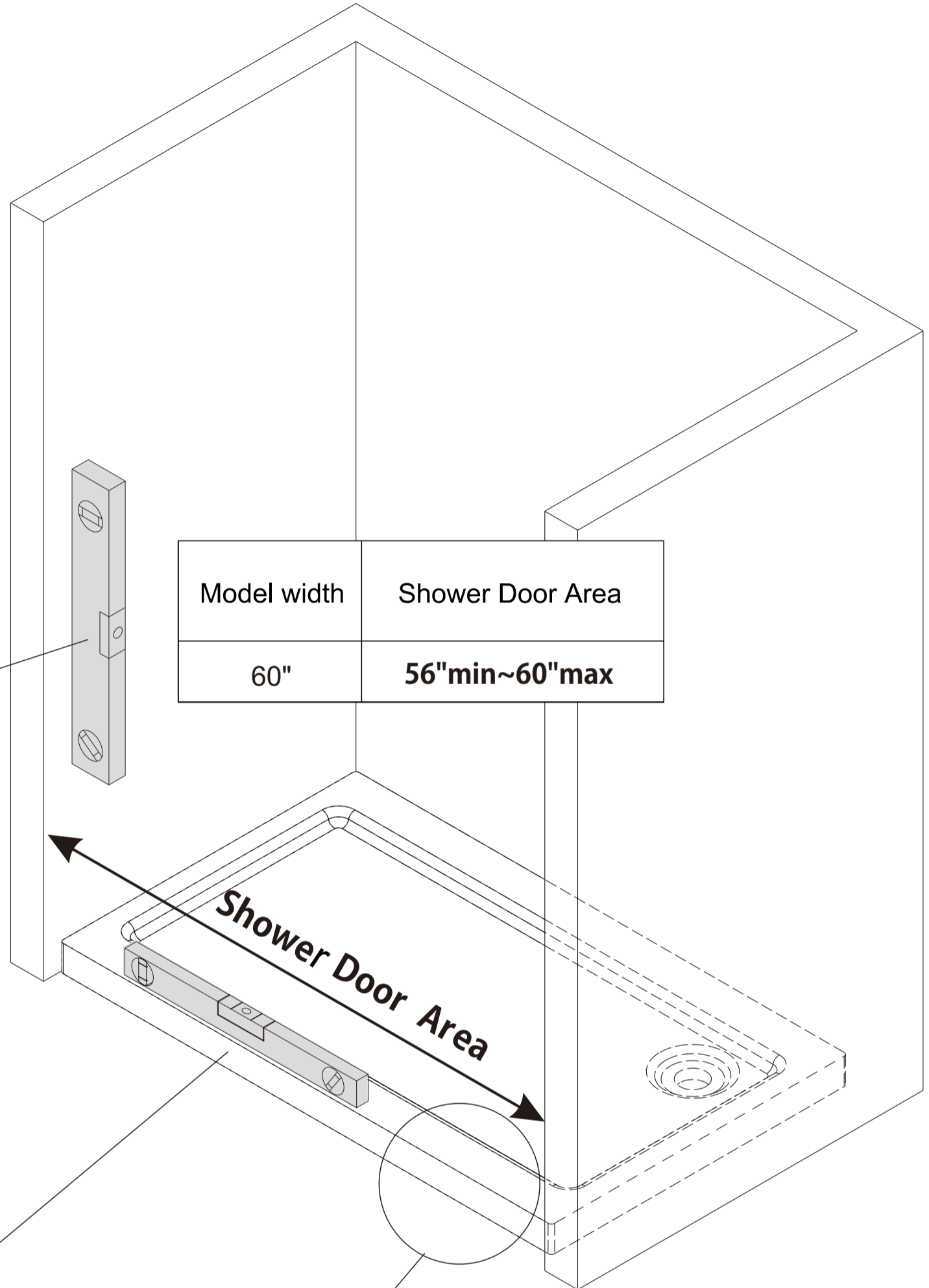
Verify threshold and wall with a level.

1/4"(6mm) Maximum out of plumb adjustment from top to bottom

Threshold must be level.

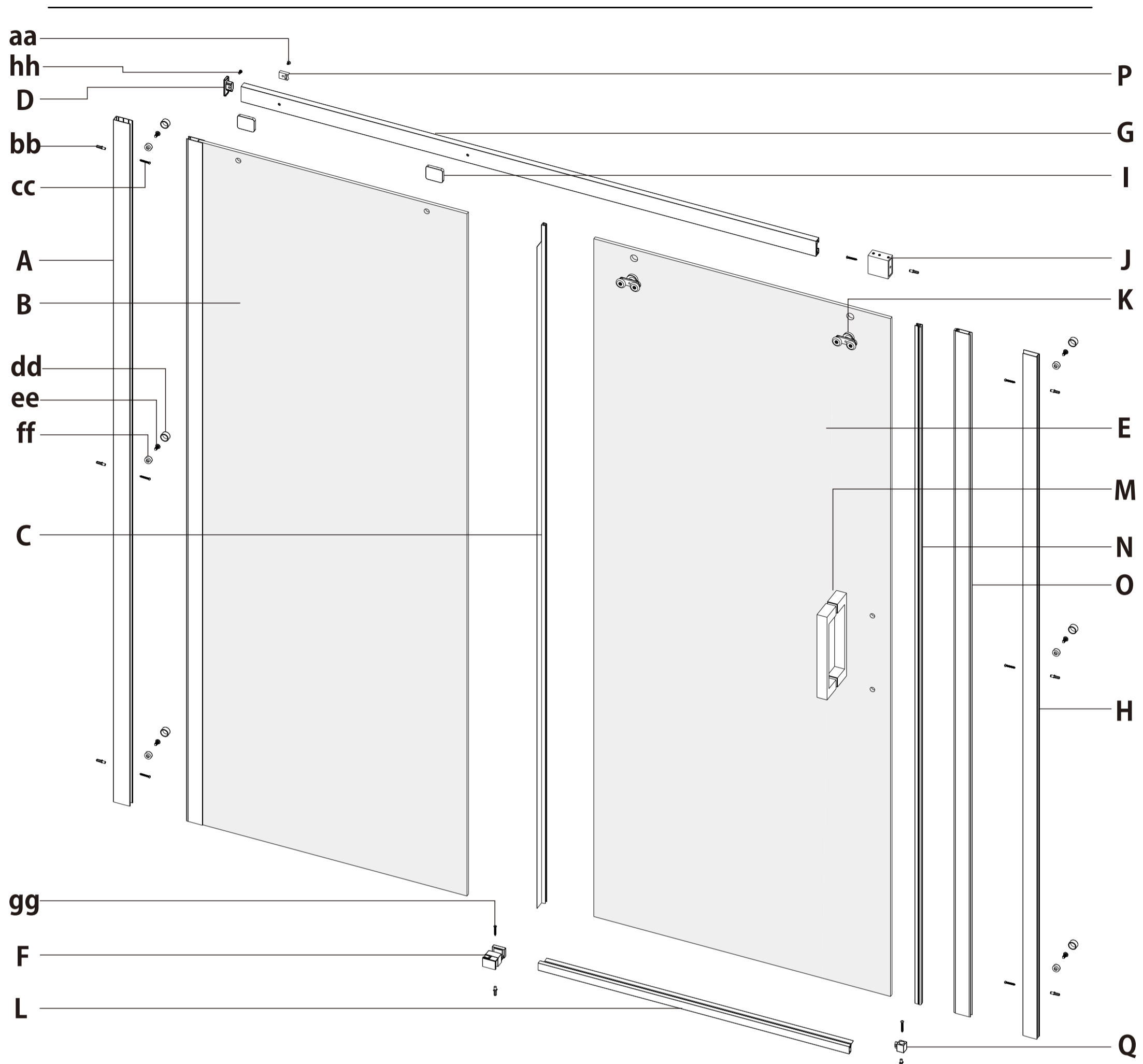


Model width	Shower Door Area
60"	56"min~60"max



SHOWER DOOR

PACKAGE CONTENT



PACKAGE CONTENT

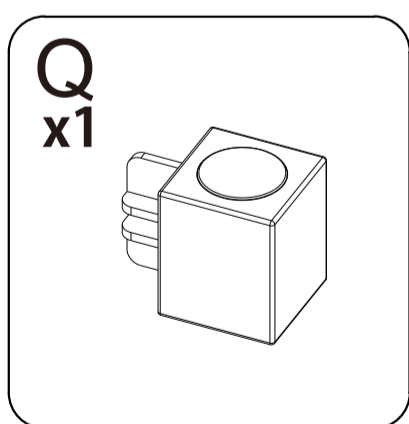
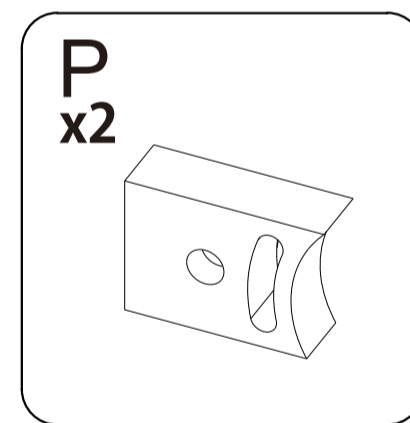
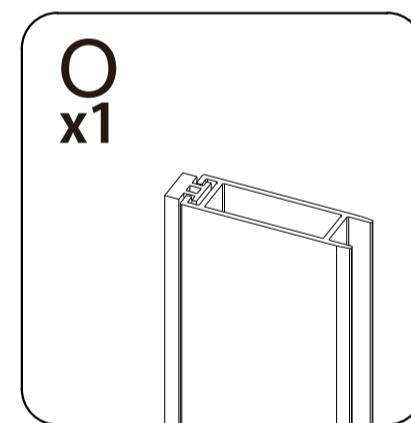
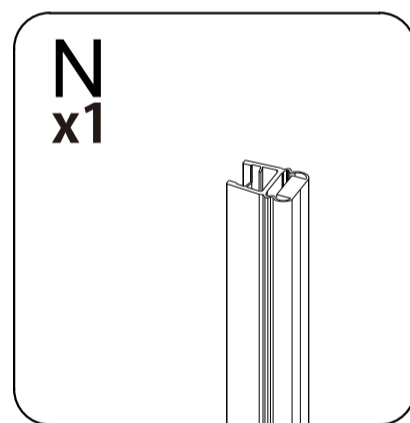
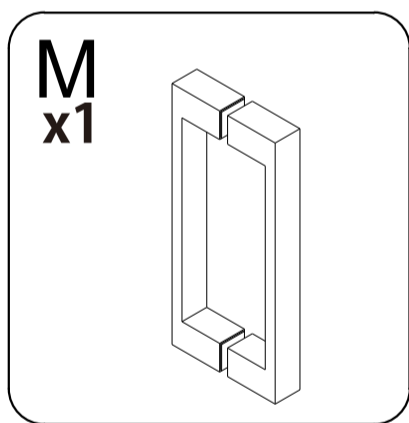
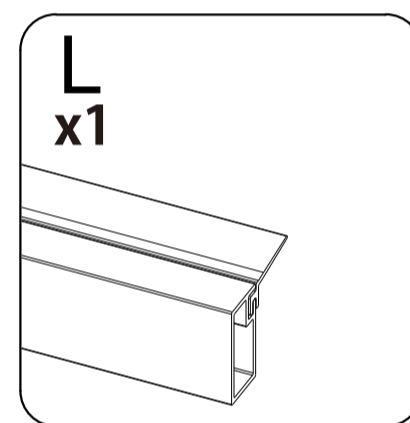
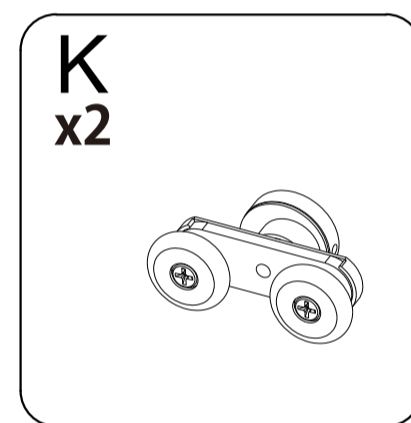
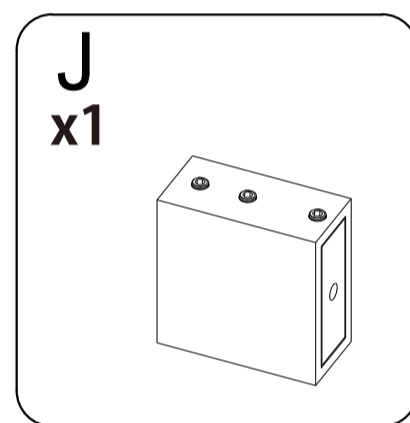
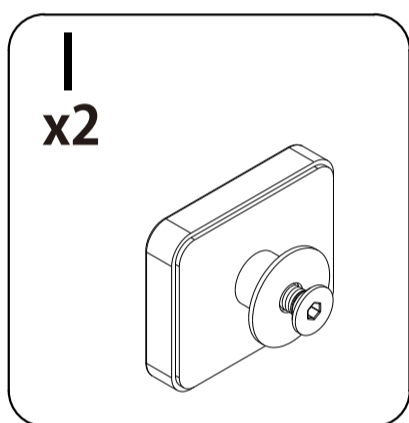
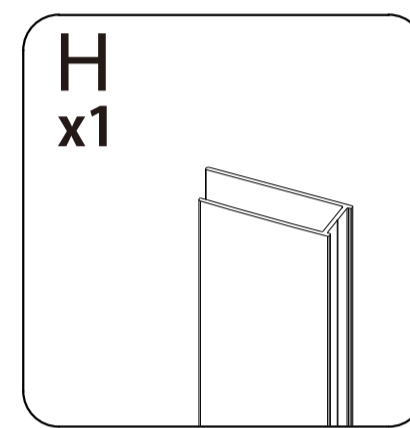
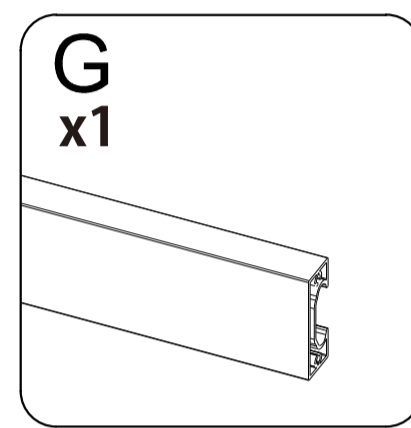
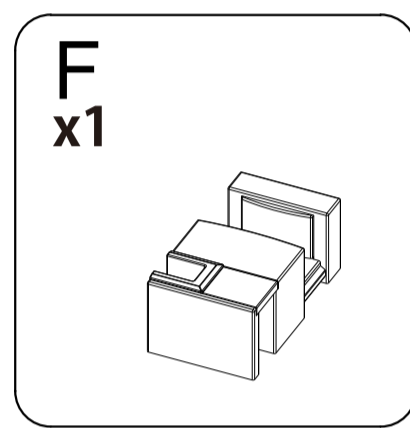
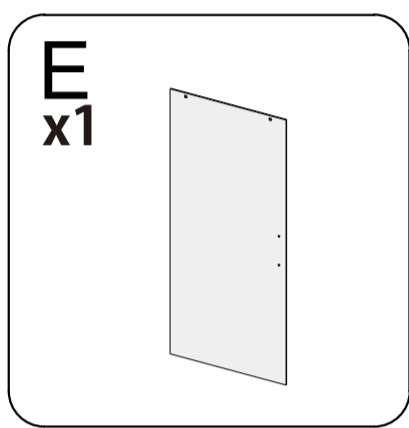
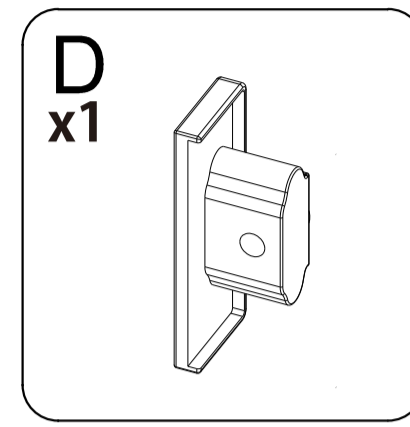
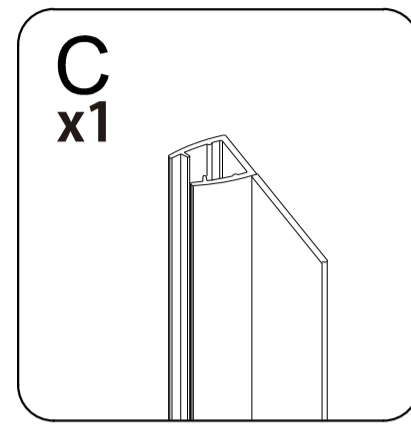
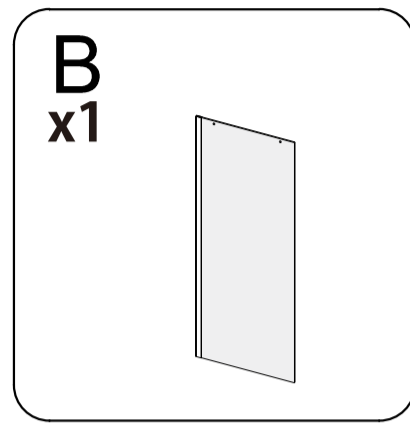
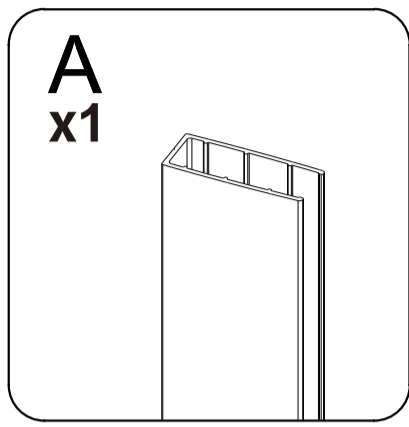
PART#	DESCRIPTION	QTY
A	Wall Jamb	1
B	Stationary Glass	1
C	Anti-water strip	1
D	Rail end caps	1
E	Glass DOOR	1
F	Guide Block	1
G	Upper Guide Rail	1
H	Wall Jamb	1

PART#	DESCRIPTION	QTY
I	Stationary glass fastener	2
J	Upper wall base	1
K	Roller	2
L	Alu. Threshold	1
M	Handle	1
N	Magnetic Strip	1
O	Alu.Extrusion w/magnet strip	1
P	Roller Guard	2
Q	End block	1



Inspect all parts for missing prior to installation!
Contact us for any part missing.

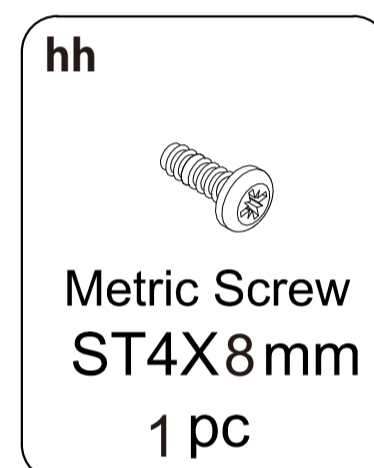
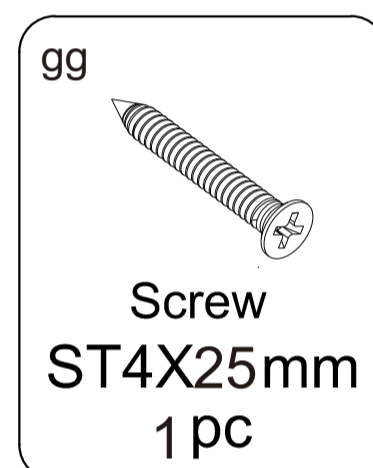
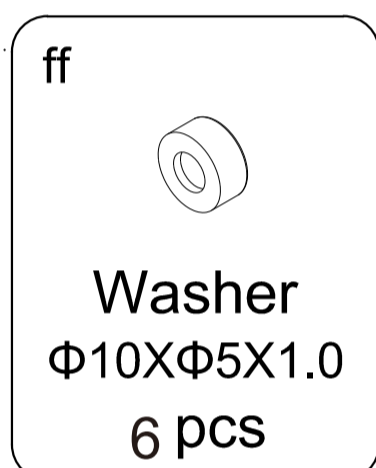
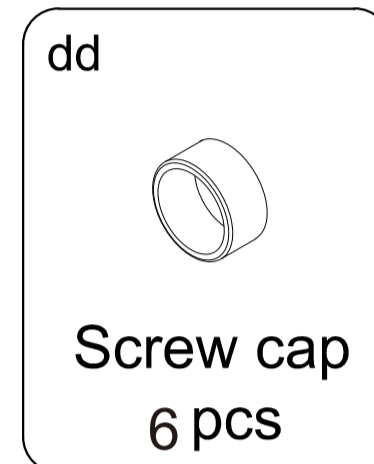
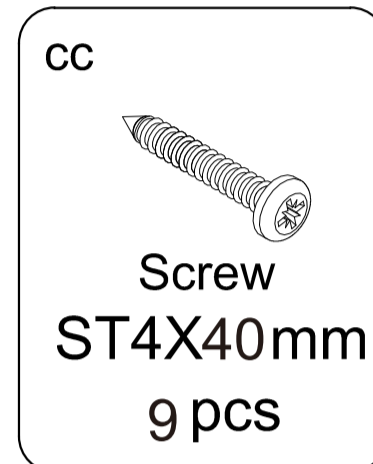
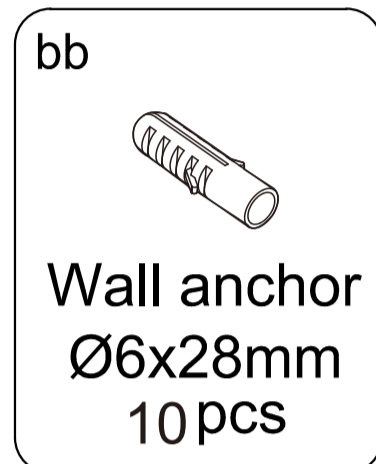
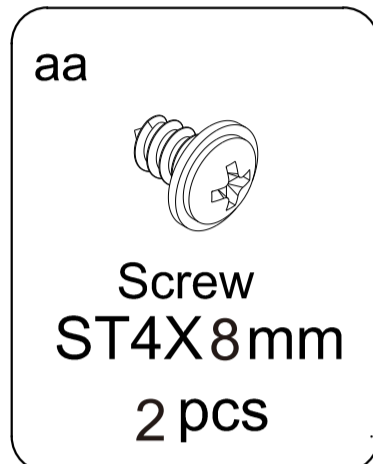
PACKAGE CONTENT



HARDWARE CONTENT



Additional spare parts are included.

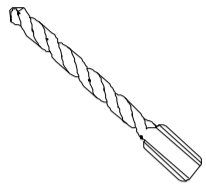


NOTE

Inspect all parts for missing prior to installation!
Contact us for any part missing.

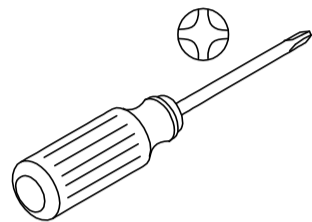
TOOLS REQUIRED

Drill Bits

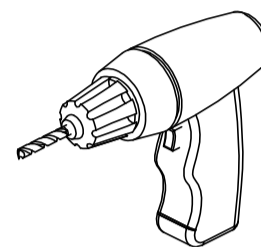


Ø1/8" & Ø1/4" (3&6mm) dia.
HSS

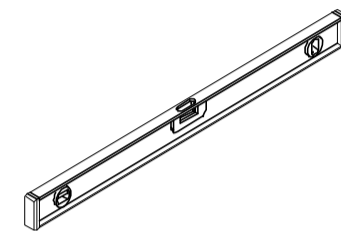
Phillips screw driver



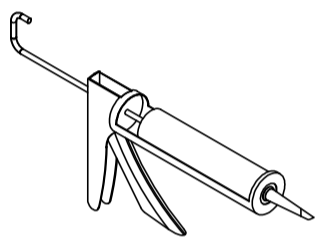
Electric hand drill



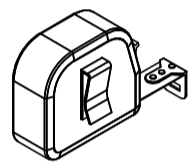
Level



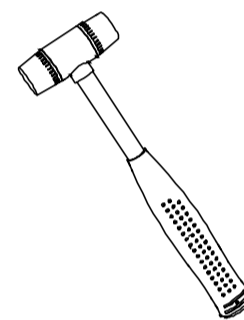
Caulking gun



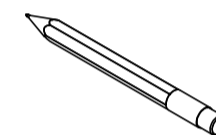
Measuring Tape



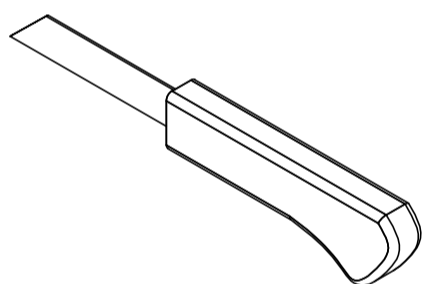
Soft Head Hammer



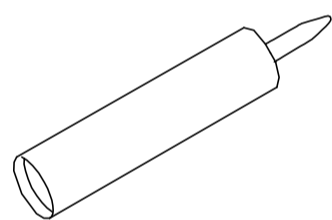
Marking Pencil



Utility Knife



Sealant



MASONRY DRILL BIT FOR TILE
Ø6mm



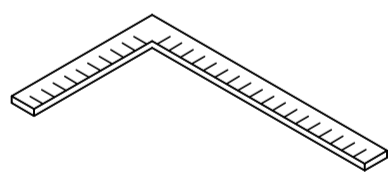
Safety Glasses



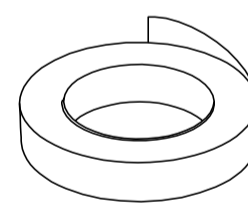
Gloves



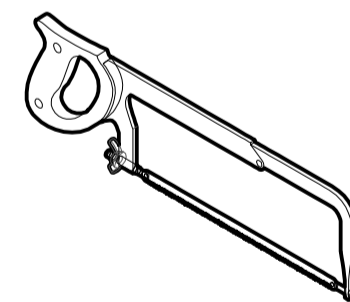
Carpenter's Squarer



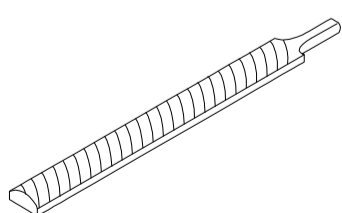
Masking or painter's tape



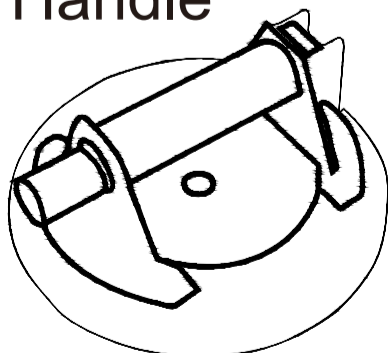
Hack Saw



Metal File



Glass suction Handle



SAFETY INFORMATION

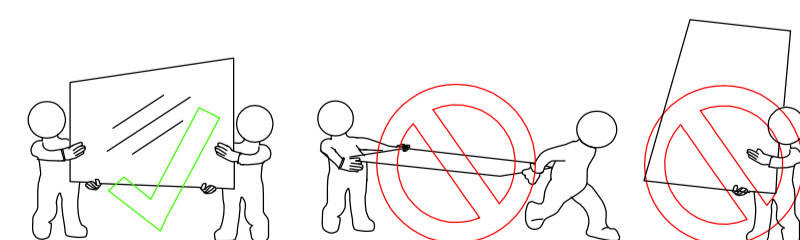
CAUTION

Please carefully read the following important safety information before handling or installing this shower door . There is a risk of serious injury while handling this product.

To minimize these risks, please note:

- Always wear safety glasses and gloves while handling.
- Always follow the installation instructions.
- Inspect glass for damage before installation.
- Extreme caution should be taken while handling the glass during installation as the tempered glass may shatter if in contact with a hard surface.
- Do not cut or modify the tempered glass as it will shatter if cut.
- Carefully remove product from packaging and keep packaging until installation is complete.
- Inspect all parts for damage or missing; if there is damage or part missing to the unit prior to installation, please contact customer service at the number provided in this guide.
- Cover the drain with tape to prevent the loss of small parts.
- The shower base and finished walls should be installed before beginning the shower door installation.
- During the installation,protect the shower floor with a drop cloth to avoid damage.
- This product should be installed by two people who are familiar with construction requirements.Professional installation is recommended!
- Keep this installation manual for future reference.

NOTE: Two people should perform this installaton.

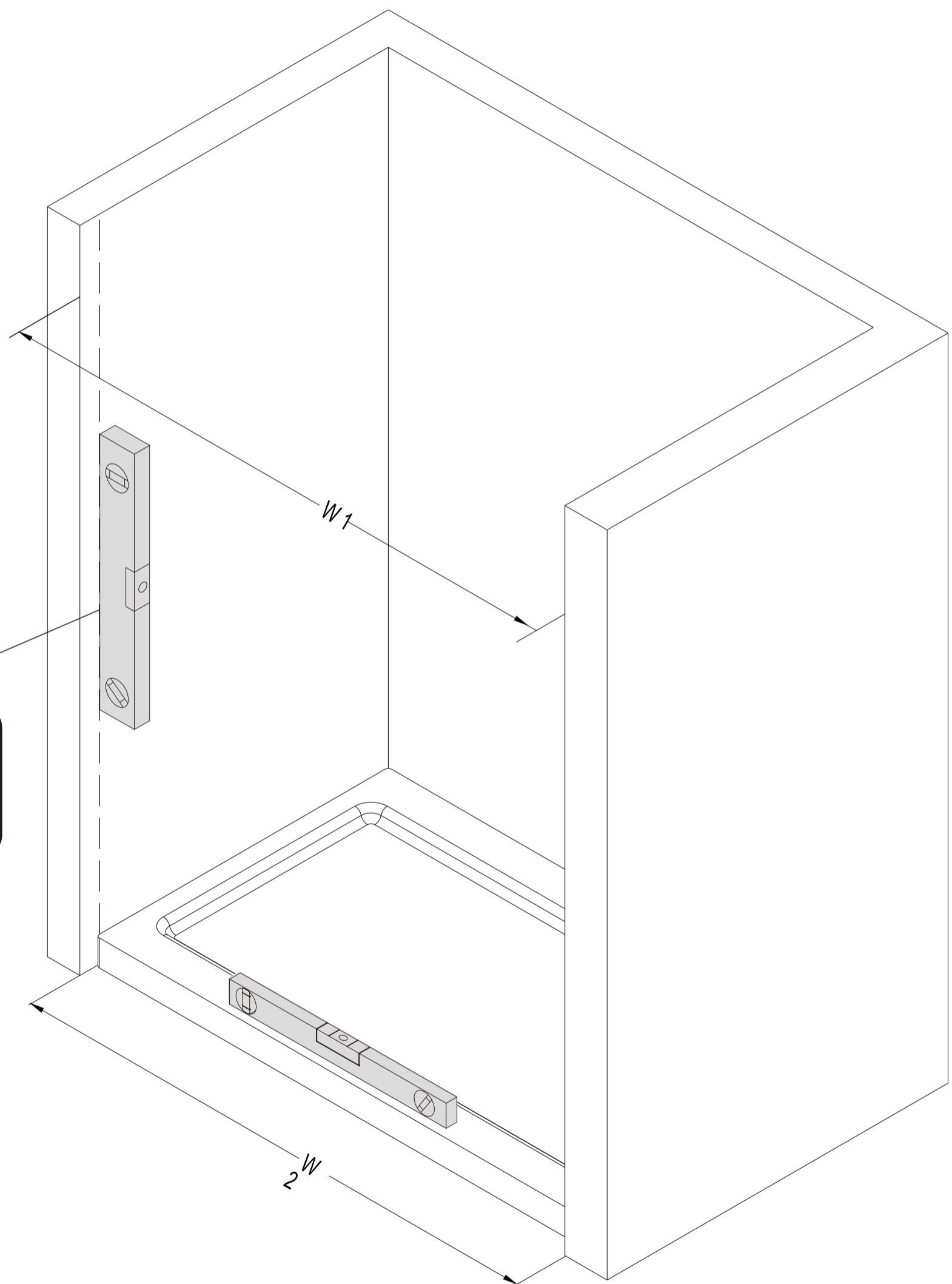


1 Measure the finished opening width.

NOTE

- 1. Measure the finished opening width at the bottom and at the model height.
- Use these dimensions as "W1" (top) and "W2"(bottom) in step #2.
- 2. Also check the threshold for level and the walls for plumb.

1/4"(6mm) Maximum out of plumb adjustment from top to bottom



_____ Finished opening top (W1)

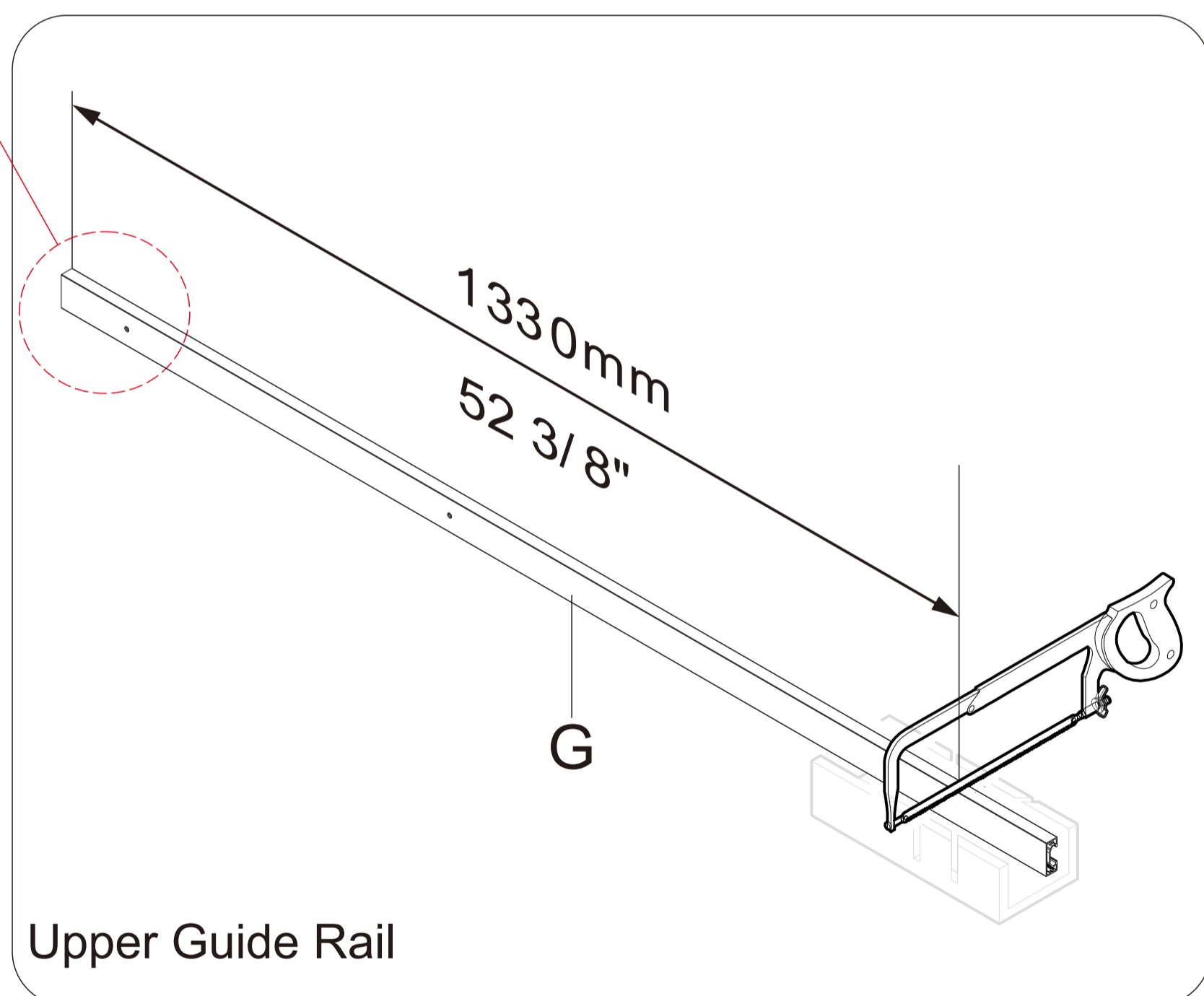
_____ Finished opening bottom (W2)

2 Use a miter saw or hacksaw to cut the **Upper Guide Rail(G)**

NOTE If the shower room needs to be installed below 56"-58", the **Upper Guide rail (G)** must be cut to the specified size.



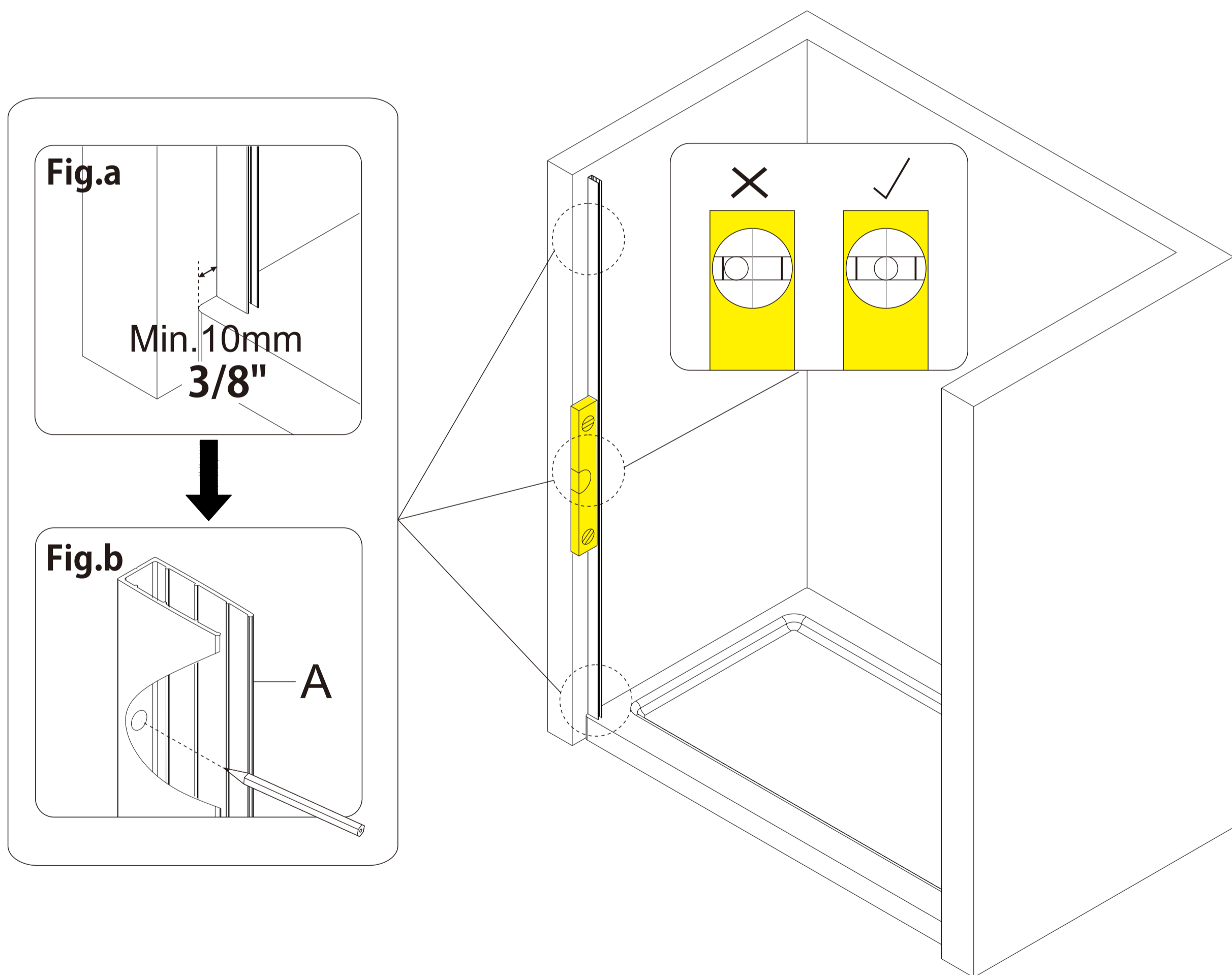
Note: The side of the hole near the edge cannot be cut



3 Determine your step in from the edge of tray and plumb your **Wall Jamb(A)**.

NOTE

1. Determine your starting point from the edge of tray (3/8" (10mm) is recommended) and mark the position as Fig.a .
2. Plumb your **Wall Jambs(A)** on each side and then mark screw holes position as Fig.b .



Note: The shower door can be installed left or right, according to the need to determine the installation direction.

4 Drill screw holes for **Wall Jamb(A)** and insert in the **Wall Anchor(bb)**.

NOTE

1. Drill holes with ϕ 6mm(1/4") drill bit as Fig.a .
2. Insert **Wall Anchors(bb)** as Fig.b .



Note: The shower door can be installed left or right, according to the need to determine the installation direction.

Fig.a (1/4")
 ϕ 6mm

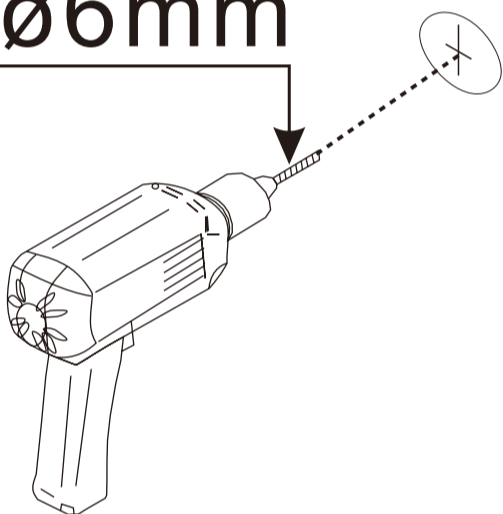
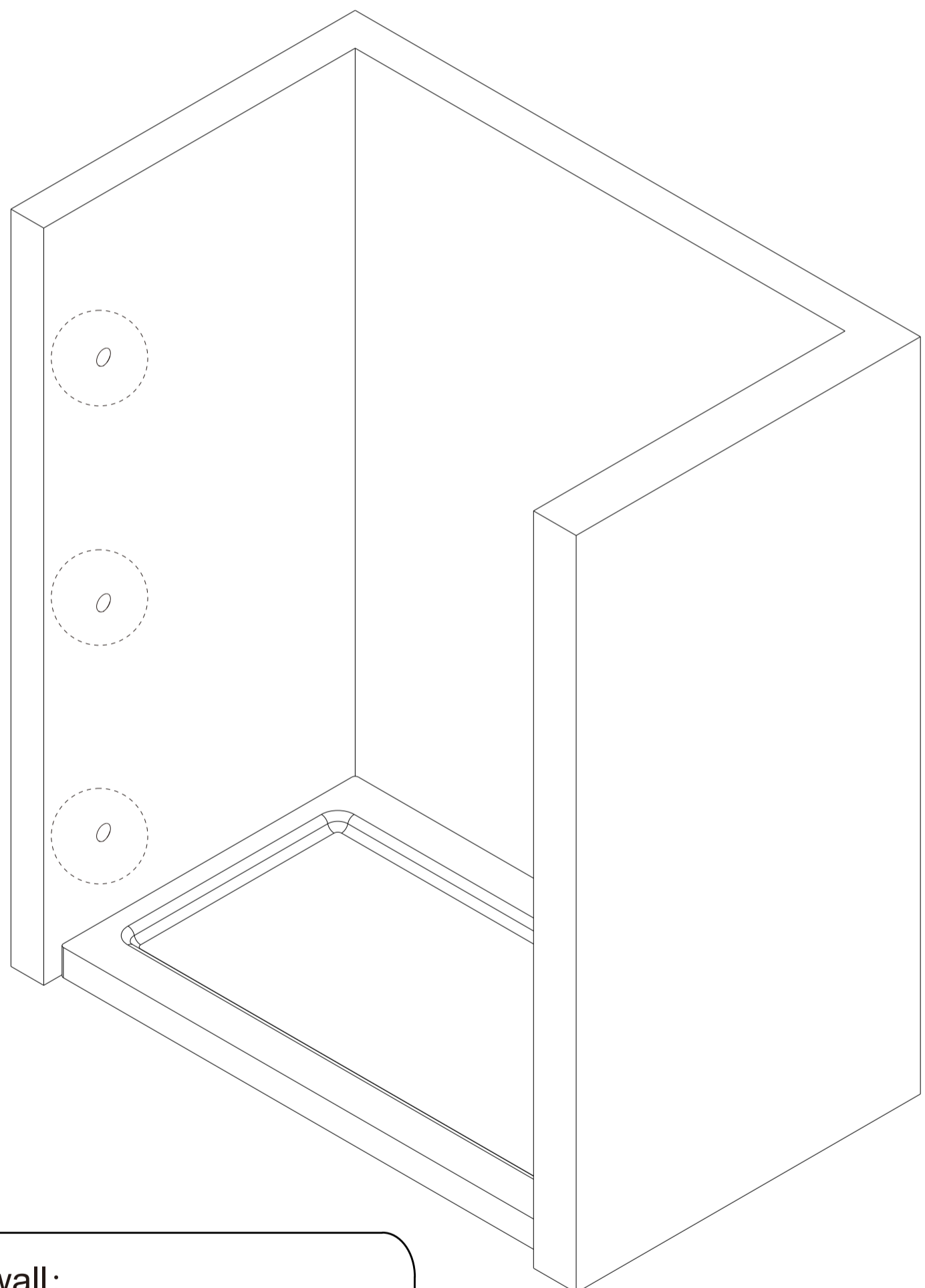
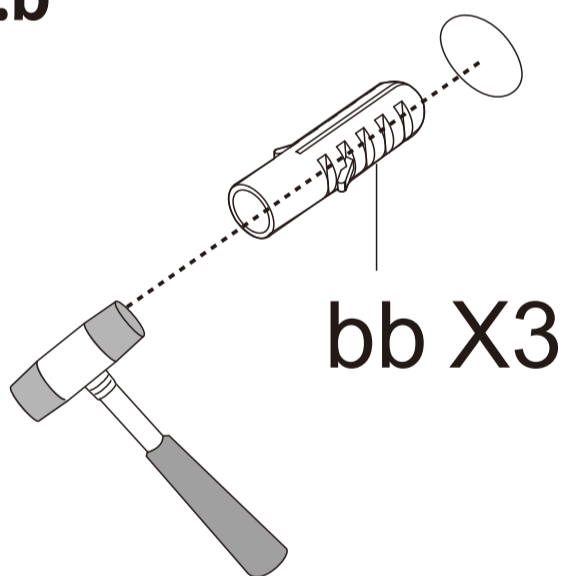


Fig.b

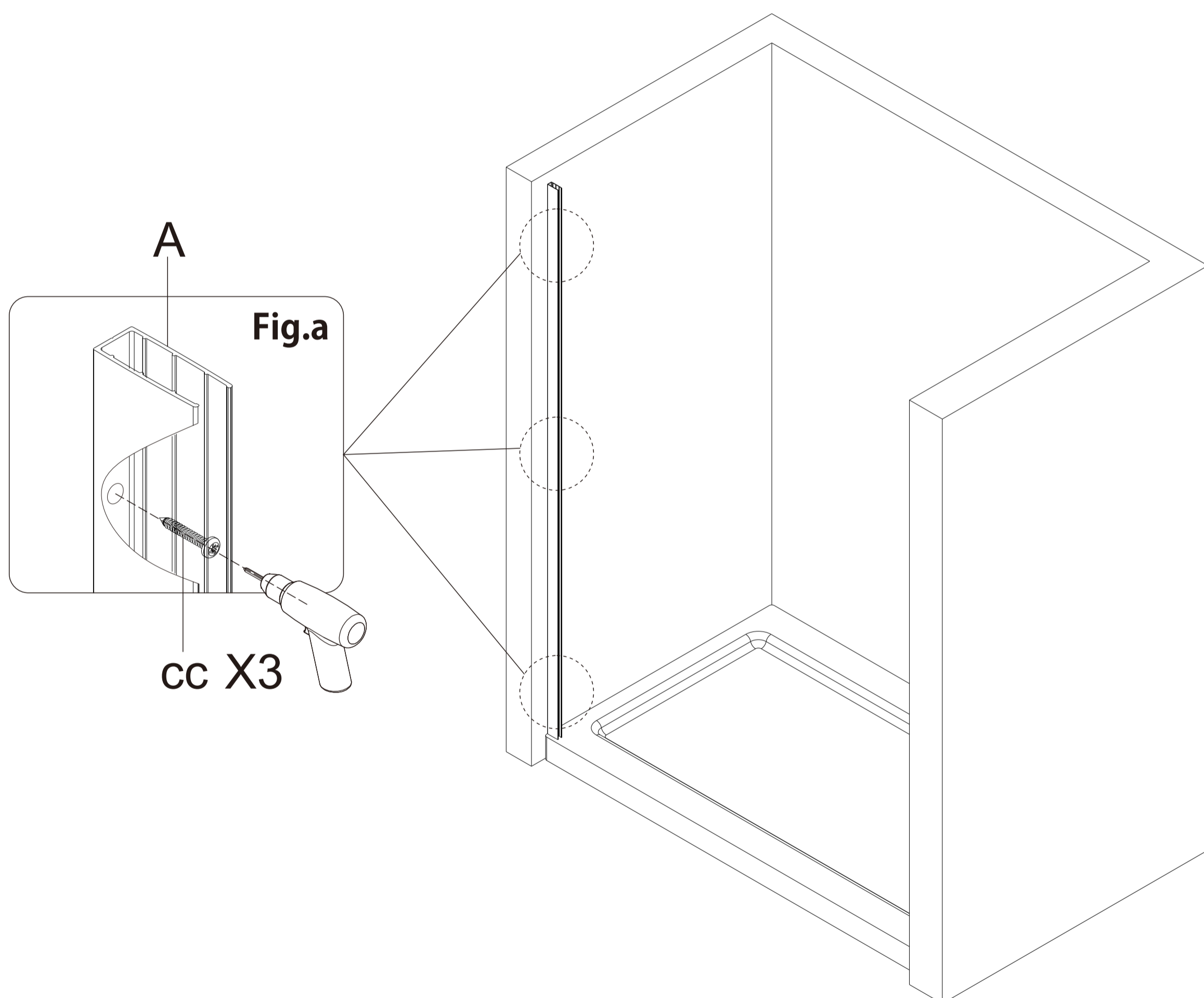


NOTE

- If a Stud is present behind the wall:
drill ϕ 1/8" (3mm) pilot holes into the stud and use the ST4.0x30mm **Screws(cc)**
OR
- If NO Stud is present behind the wall:
drill ϕ 1/4" (6mm) holes and insert the **Wall Anchors(bb)** and use the ST4.0x30mm **Screws(cc)**.

5 Install the Screws(cc).

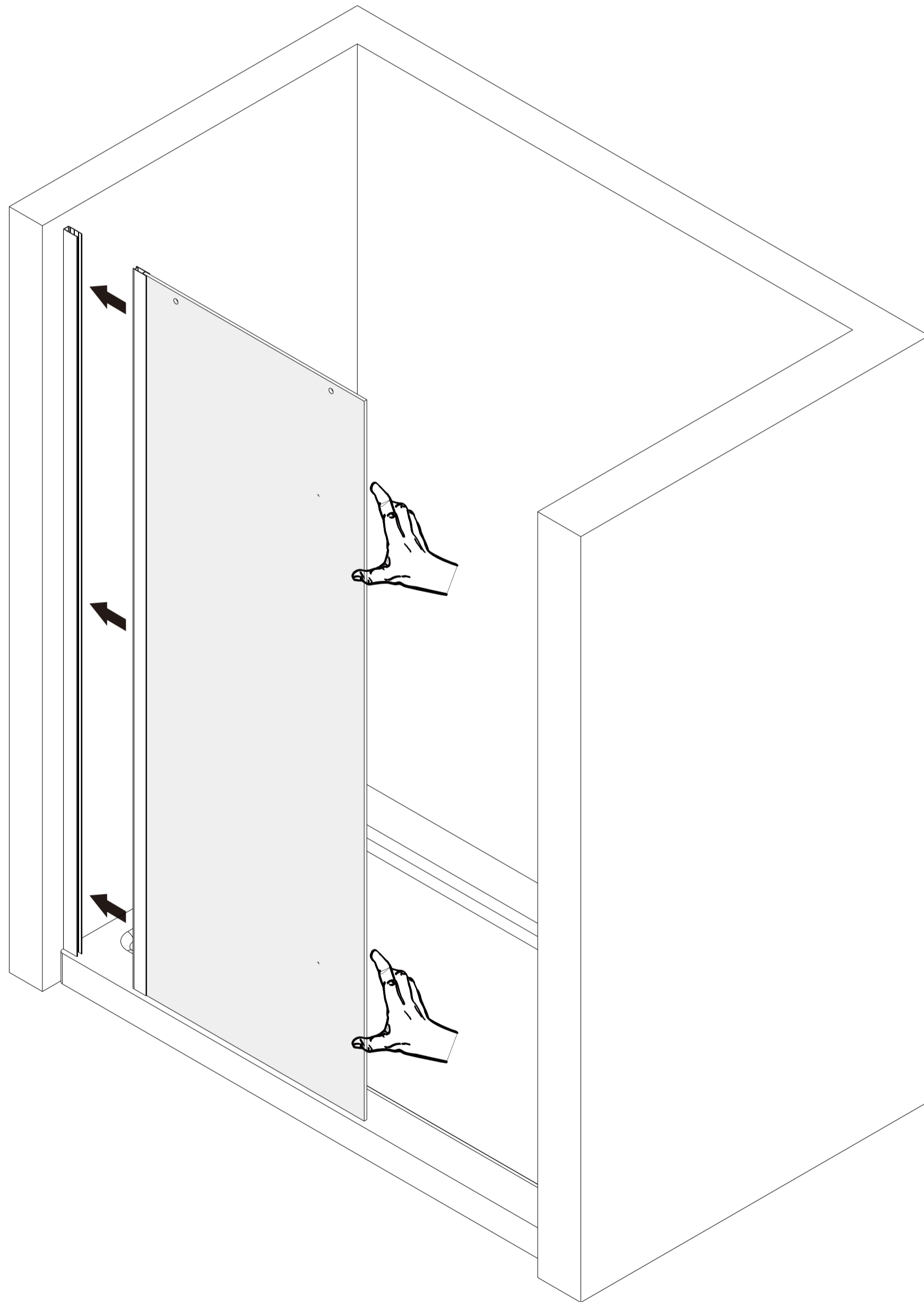
NOTE Attach the **Wall Jamb(A)** to the wall with **Screws (cc)** as Fig.a.



Note: The shower door can be installed left or right, according to the need to determine the installation direction.

6 Install **Stationary Door(E)**

NOTE Install the **Stationary Glass(B)** into the **Wall Jamb(A)** .

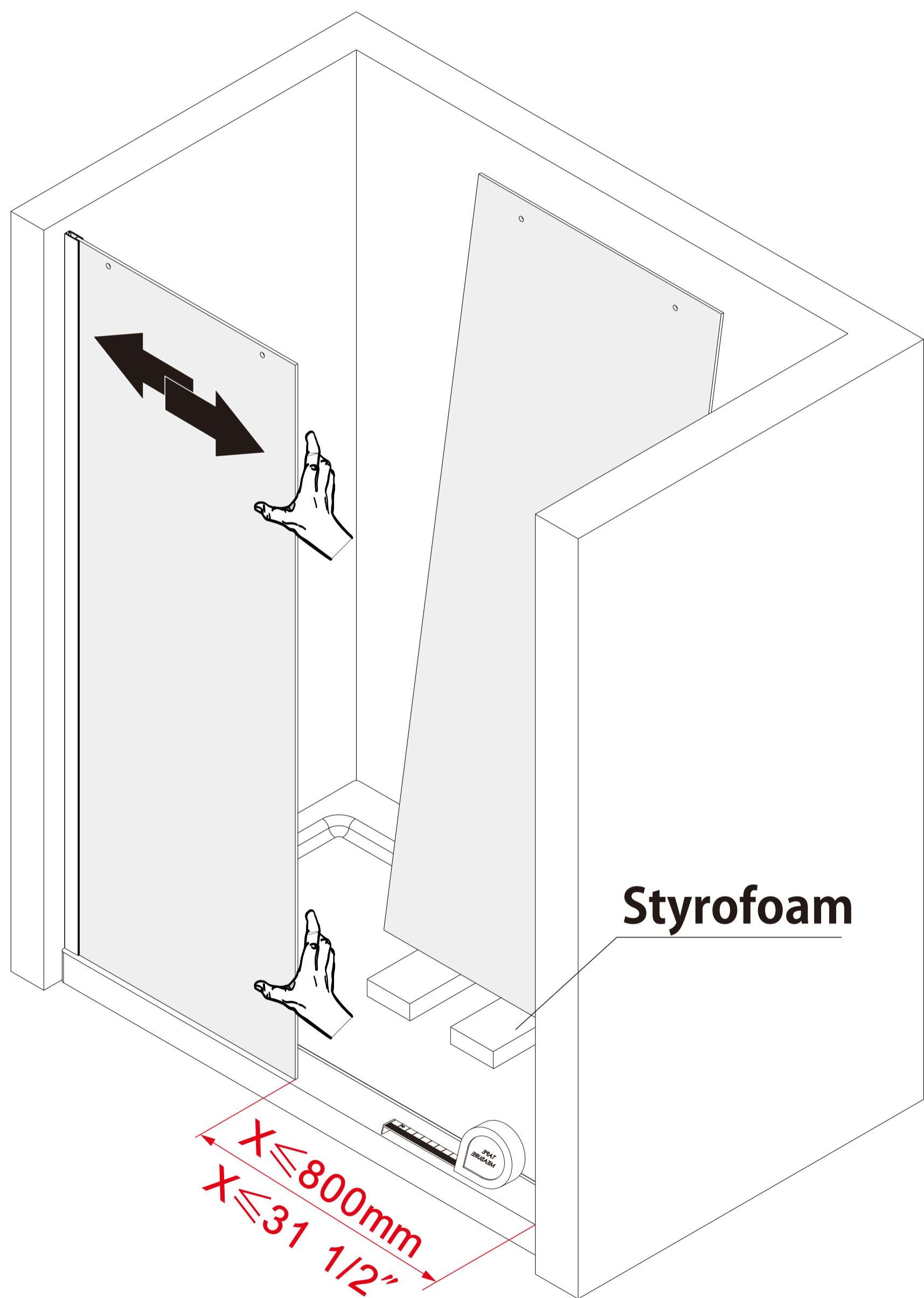
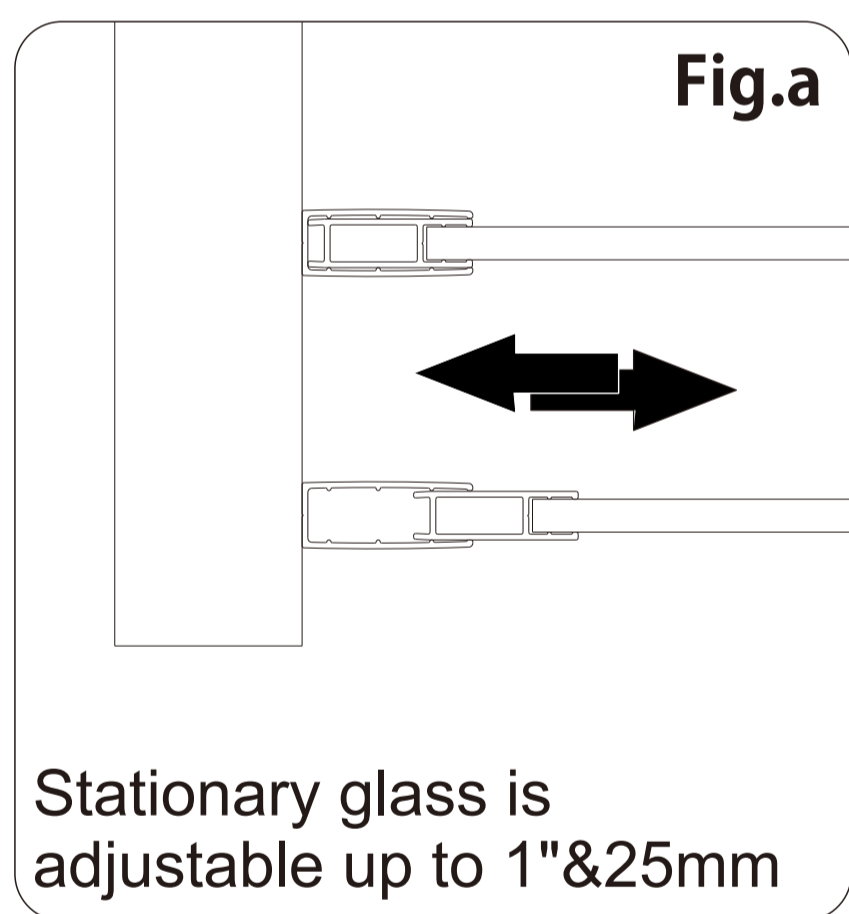


CAUTION: Do not put glass directly on the ground

7 Adjust the distance of the door and place the **Glass Door(E)**

NOTE

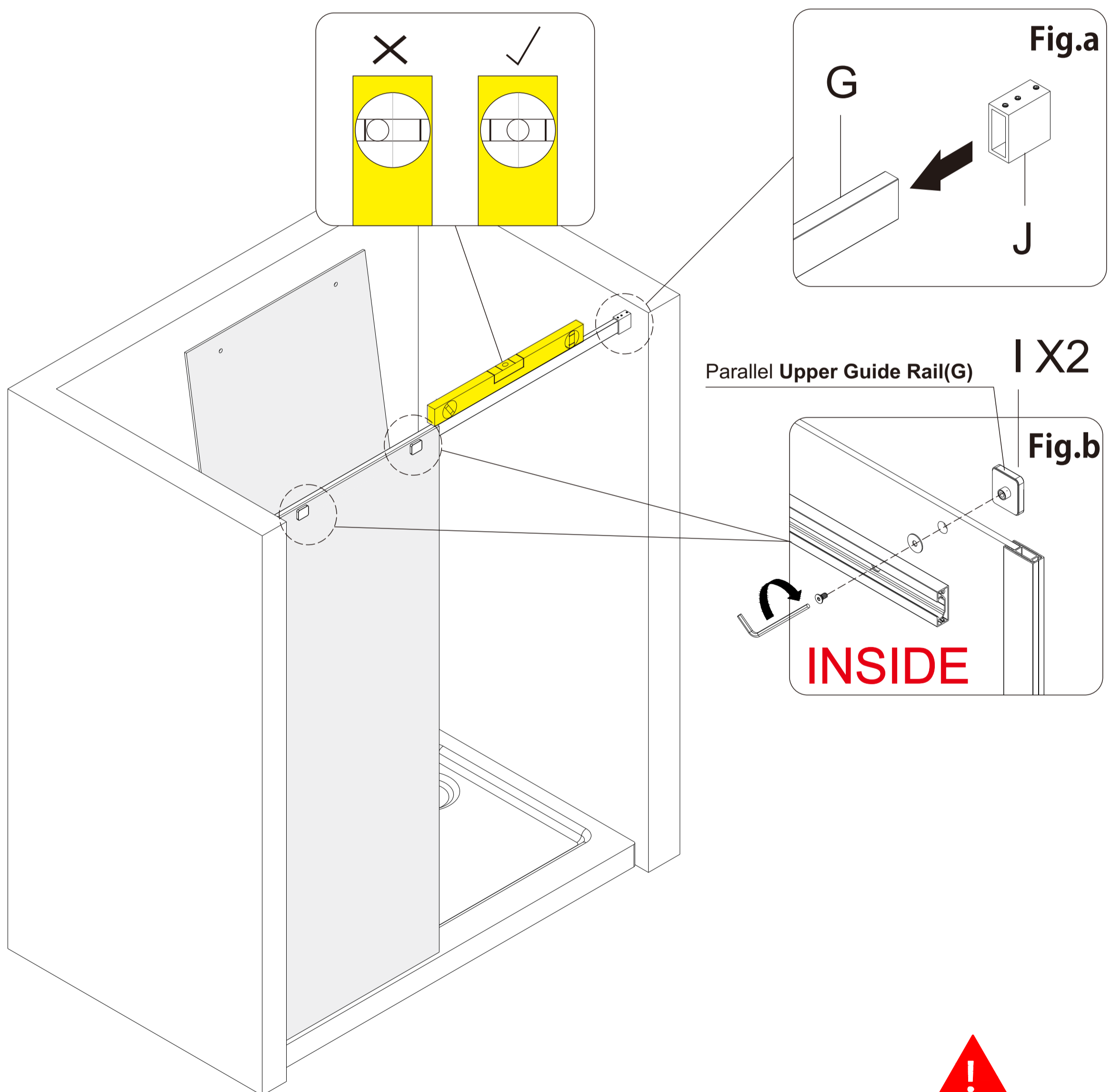
Adjust the **Stationary Glass(B)** so that the door size is less than or equal to (800mm&31 1/2"). After the adjustment, put the **Glass Door(E)** into the shower room to facilitate the installation in the back as Fig.a .



8 Install Upper Guide Rail(G)

NOTE

1. Insert the **Upper Wall Base(J)** into the **Upper Guide Rail(G)** as Fig. a .
2. Install the **Upper Guide Rail(G)** on the **Stationary glass(B)** and keep it level. as Fig.b .

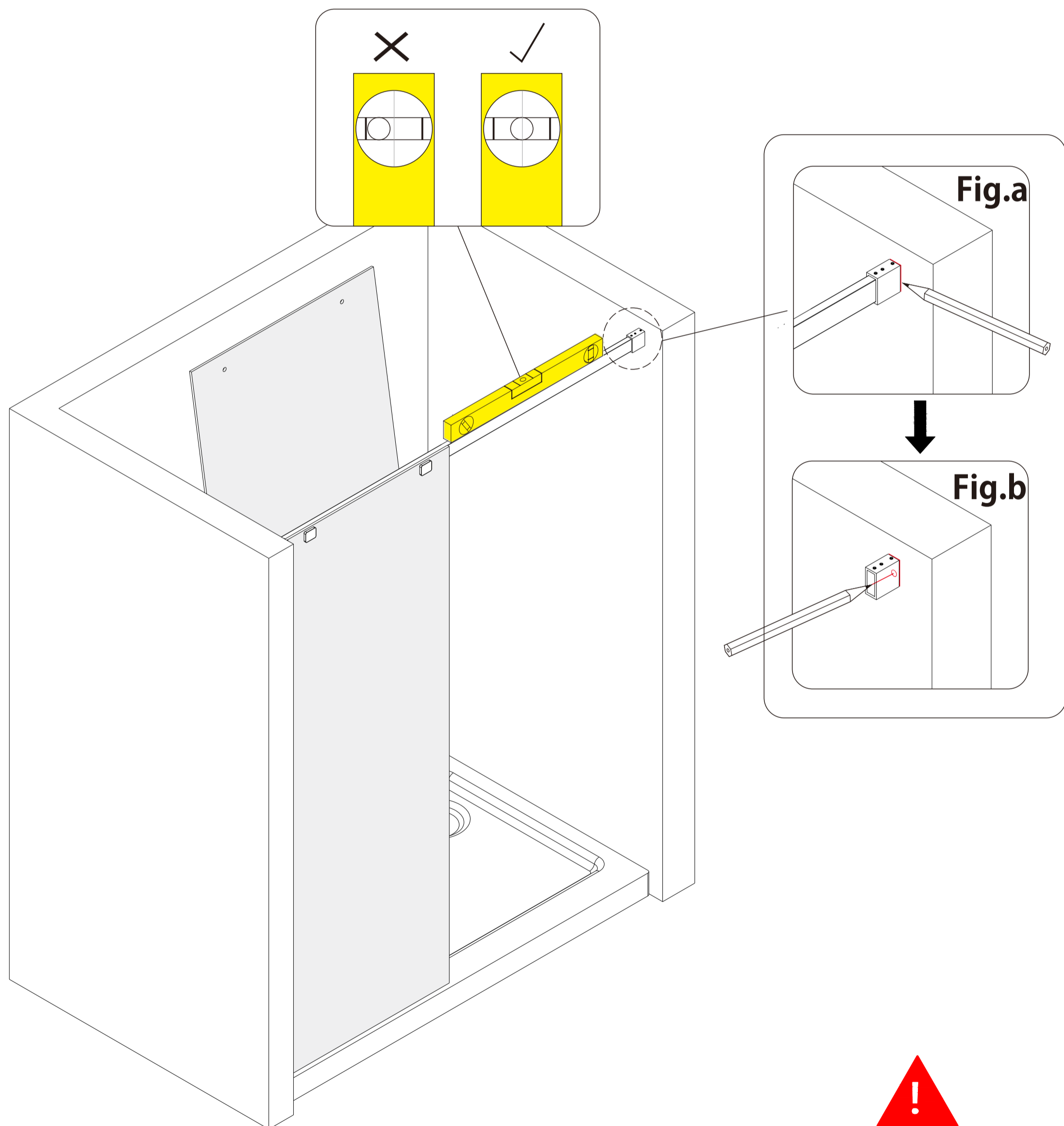


CAUTION: Do not put glass directly on the ground

9 Mark the location of the **Upper Wall Base(J)**

NOTE

1. Make sure that the **Upper Guide Rail(G)** is parallel and mark the position of the **Upper Wall Base(J)** with a pencil as Fig.a .
2. Remove the **Upper Guide Rail(G)**, place the **Upper Wall Base(J)** in the marked position, and mark the hole of the **Upper Wall Base(J)** as Fig.b .

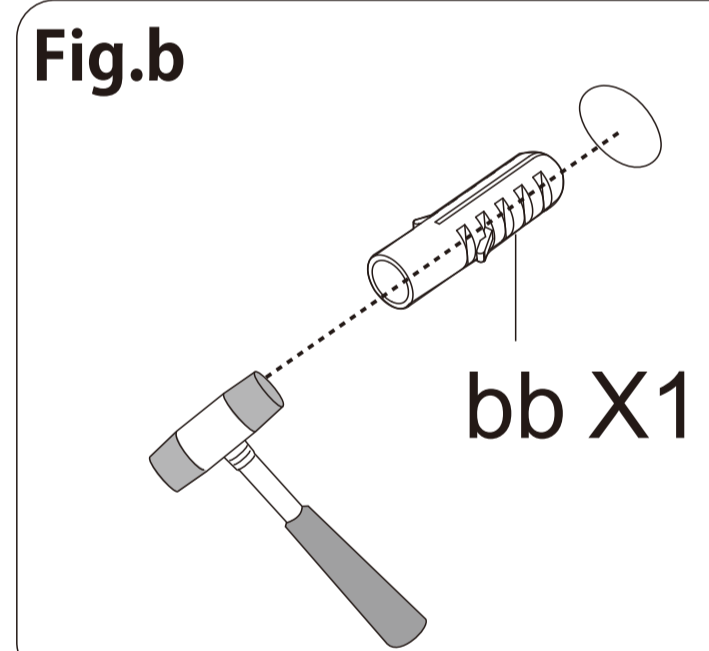
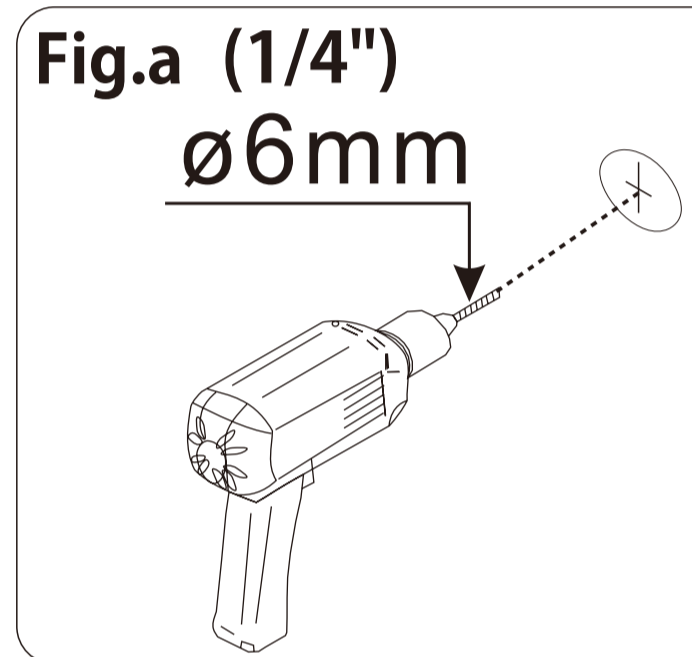
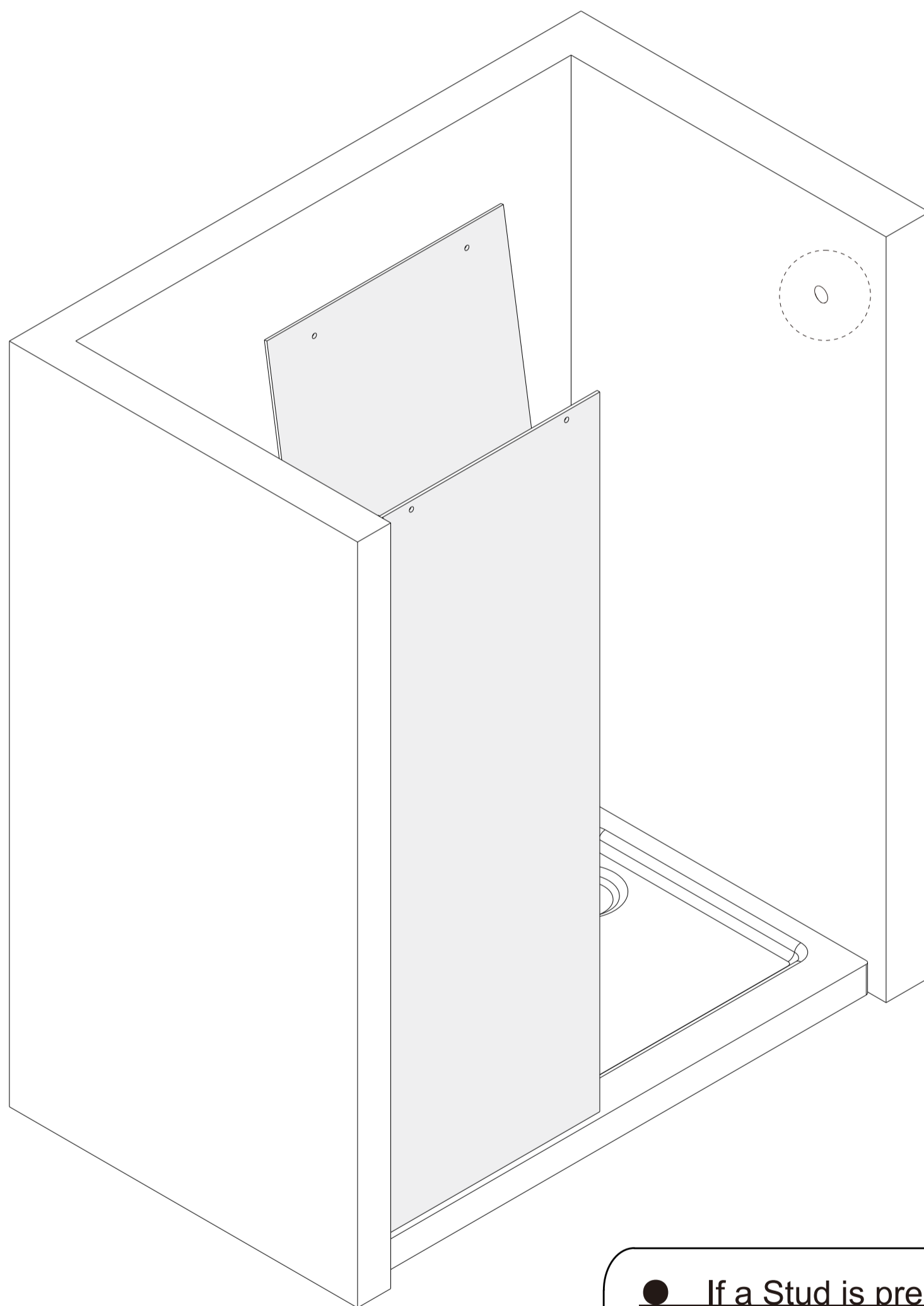


CAUTION: Do not put glass directly on the ground

10 Borehole

NOTE

1. Drill holes with ϕ 6mm(1/4") drill bit as Fig.a .
2. Insert in **Wall Anchors(bb)** as Fig.b .



NOTE

- If a Stud is present behind the wall:
drill ϕ 1/8" (3mm) pilot holes into the stud and use the ST4.0x30mm **Screws(cc)**
OR
- If NO Stud is present behind the wall:
drill ϕ 1/4" (6mm) holes and insert the **Wall Anchors(bb)** and use the ST4.0x30mm **Screws(cc)**.

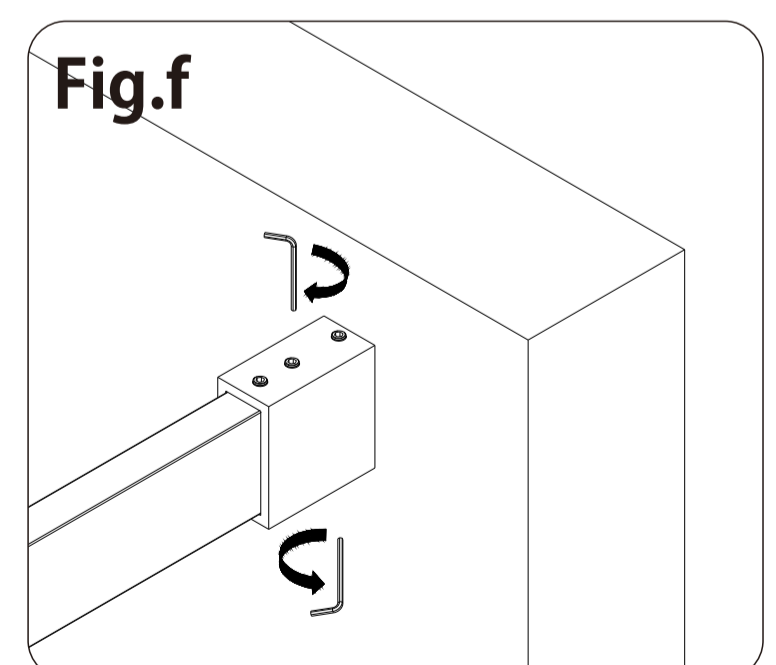
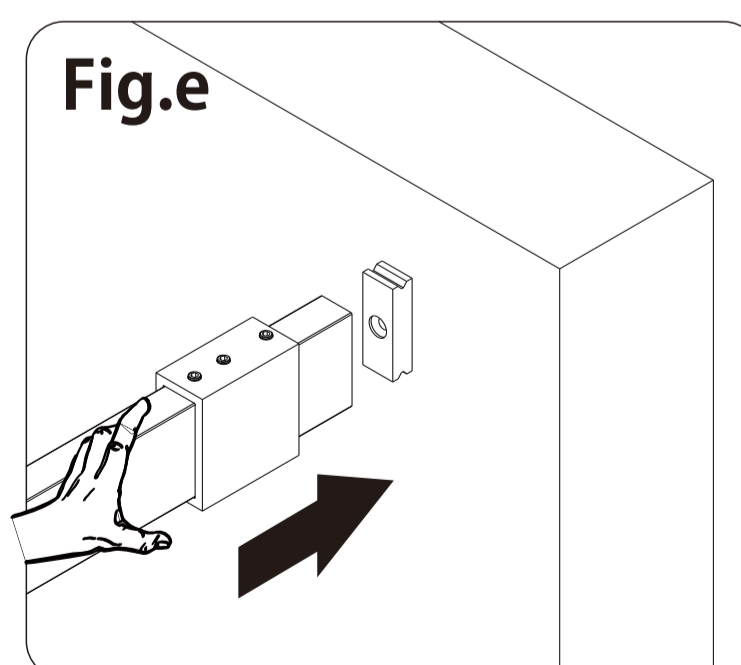
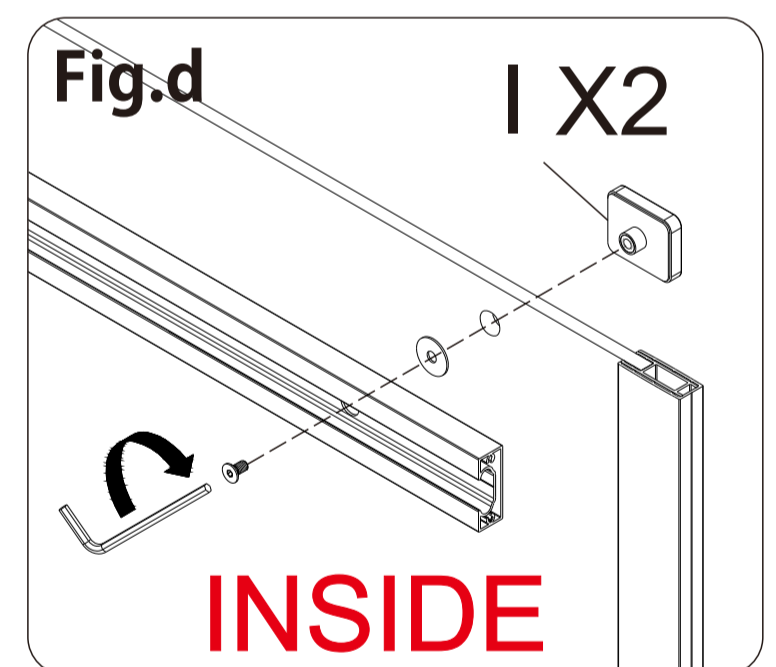
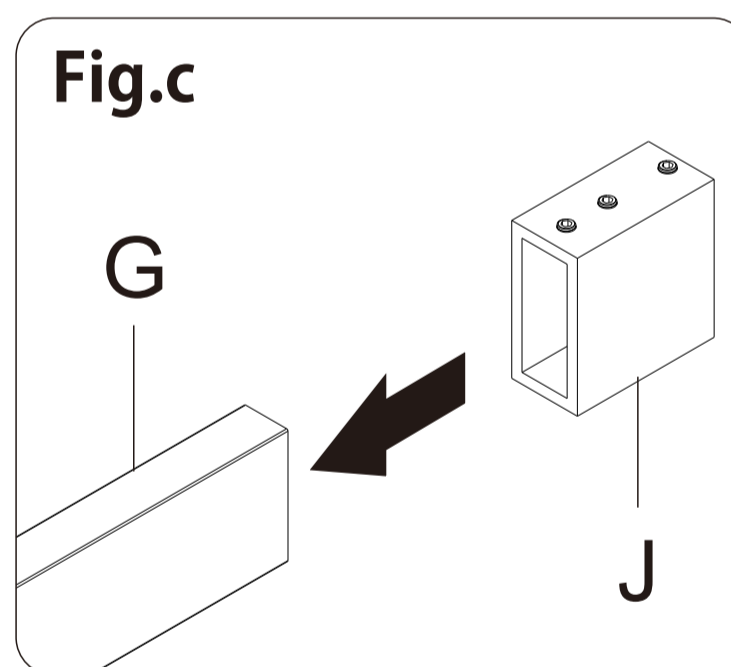
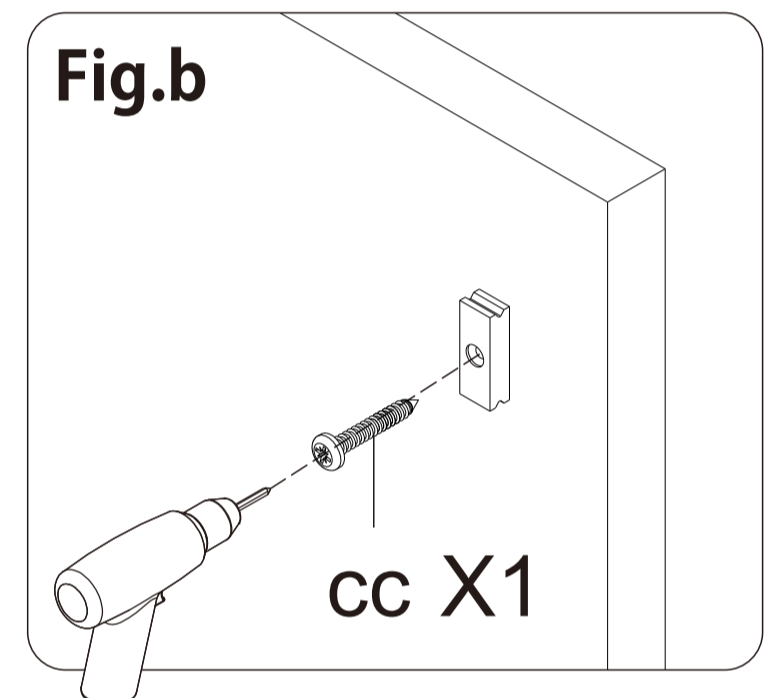
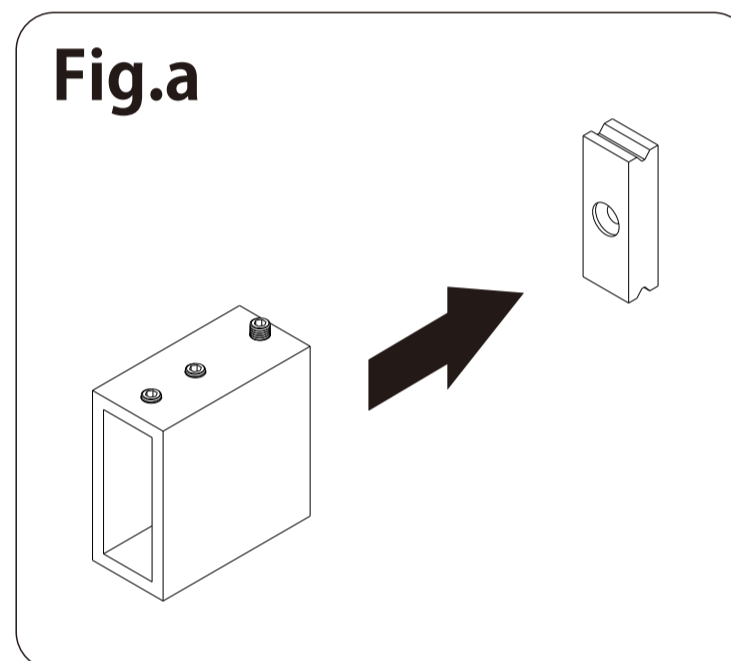
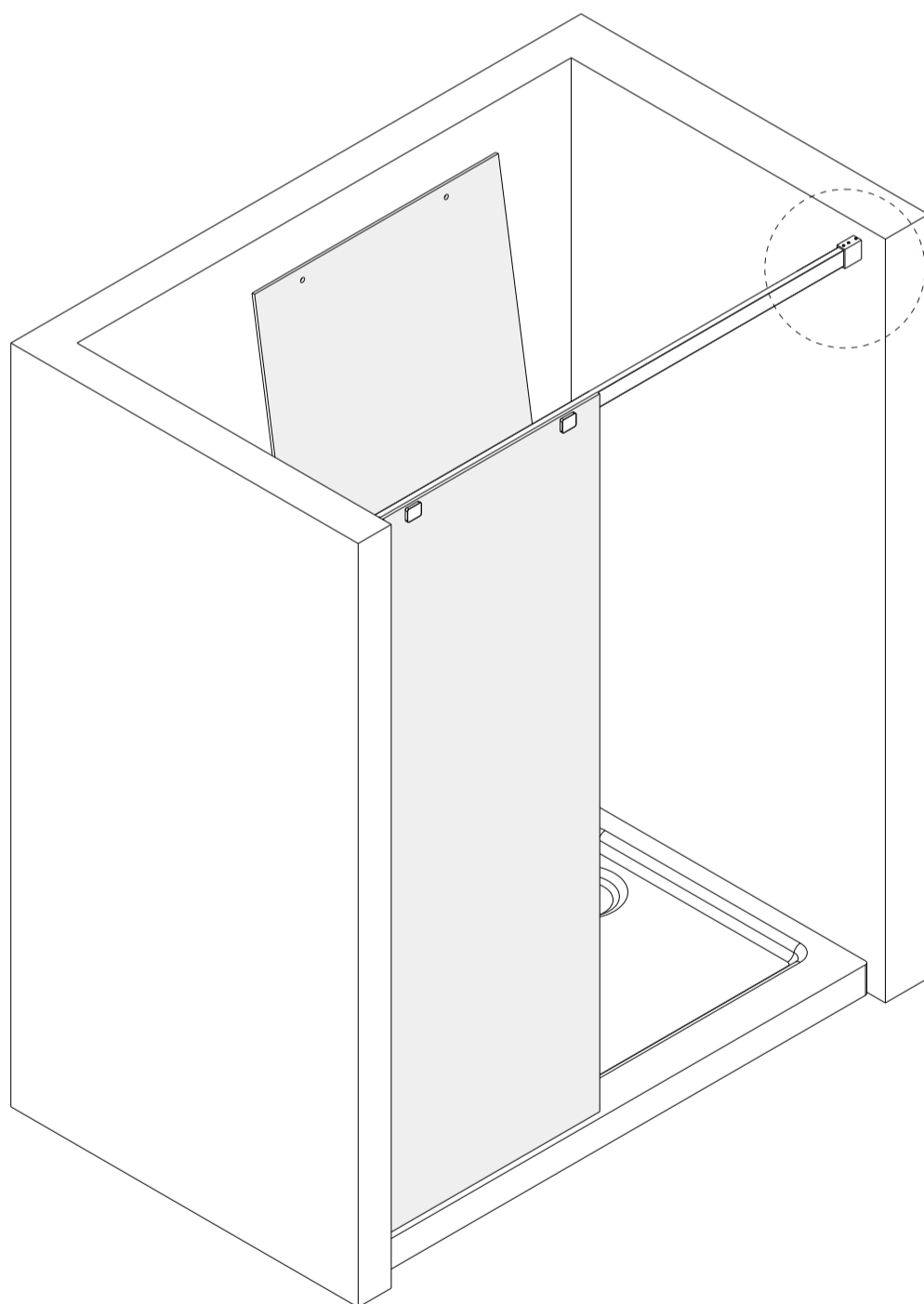


CAUTION: Do not put glass directly on the ground

11 Install Upper Guide Rail(G)

NOTE

1. Take out the **Upper Wall Base(J)** bottom cap as Fig.a .
2. Secure the bottom cap with screws as Fig.b .
3. Attach the upper wall base to the Upper guide rail as Fig.c .
4. Secure the **Upper Guide Rail(G)** to the **Stationary Glass(B)** with the **Stationary glass fastener(I)** as Fig.d .
5. Push the **Upper Wall Base(J)** onto the bottom cap as Fig.e .
6. Secure the **Upper Wall Base(J)** with a hex wrench as Fig.f .

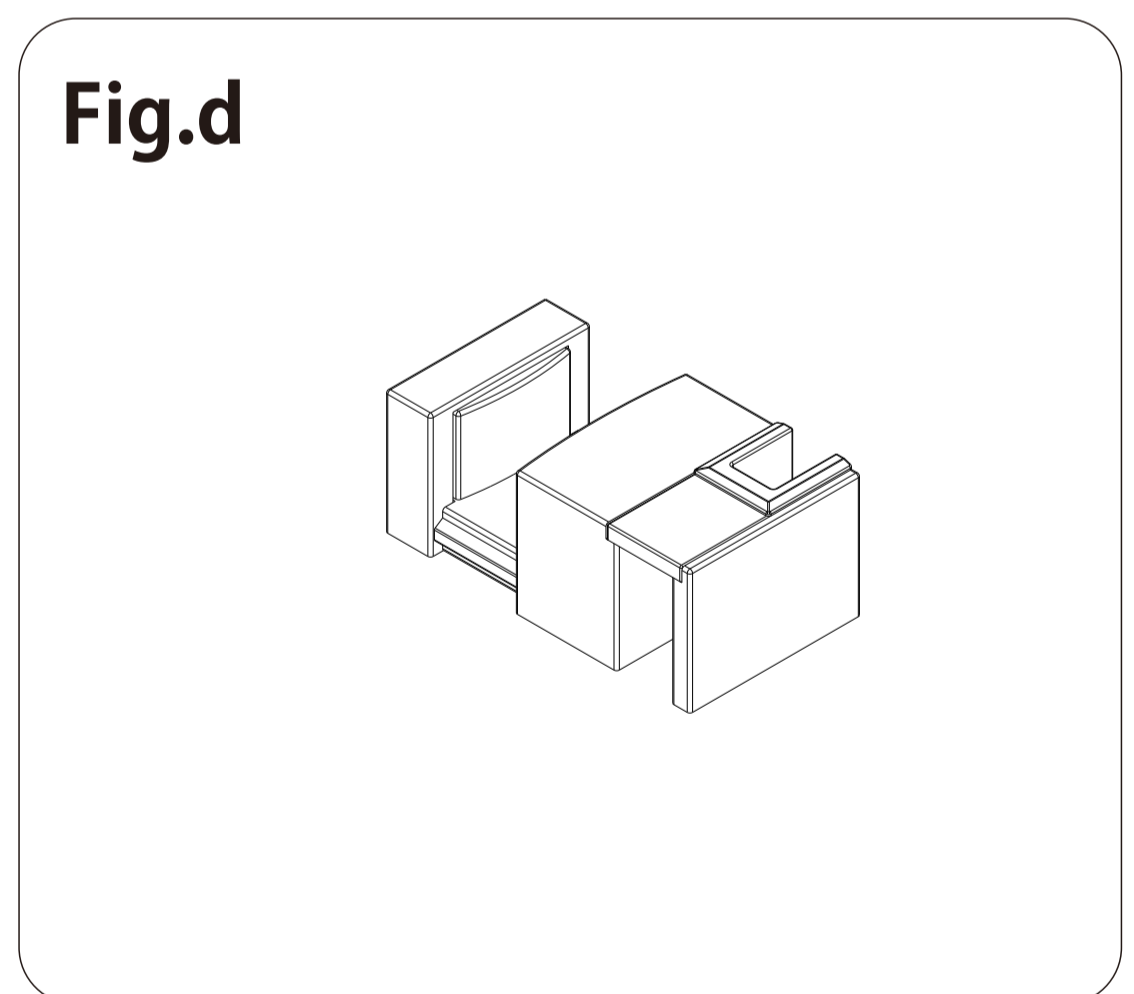
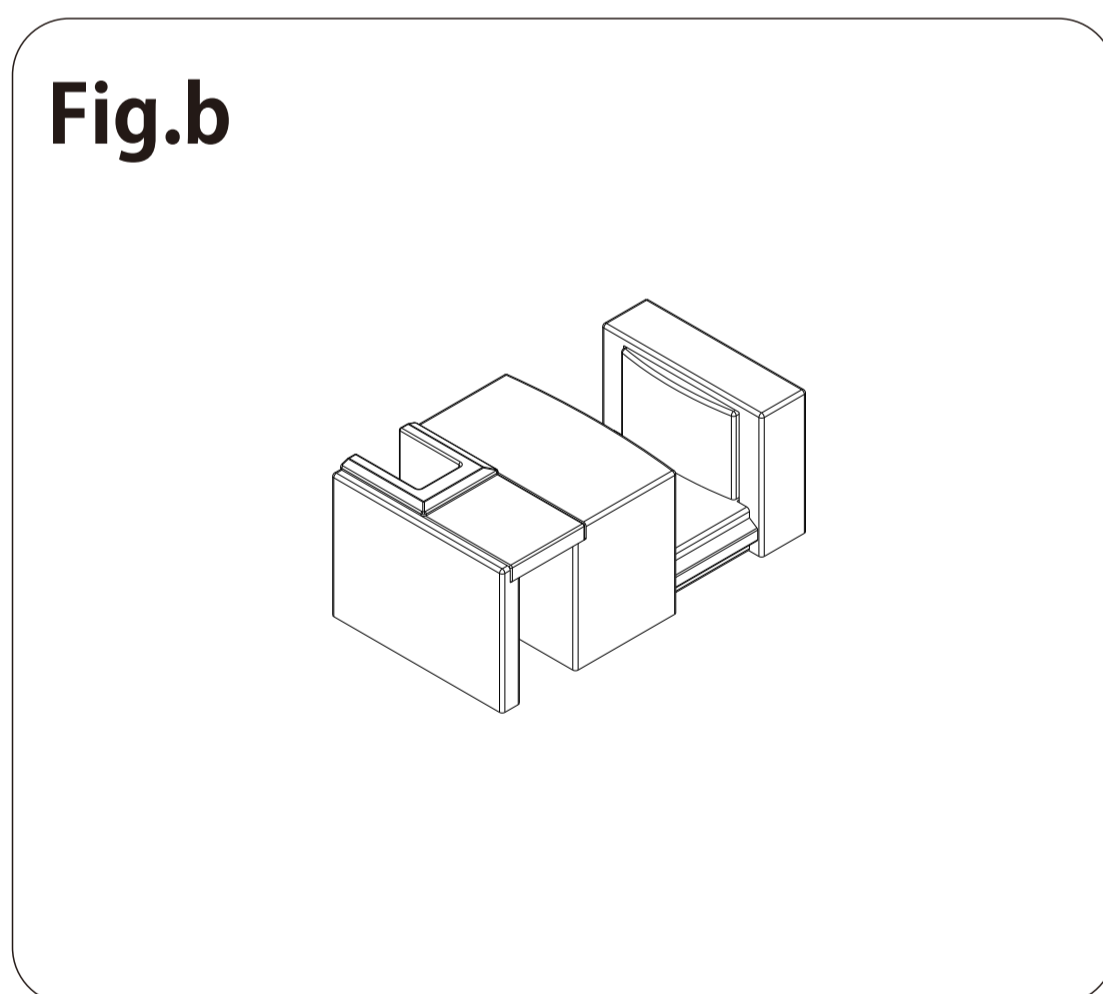
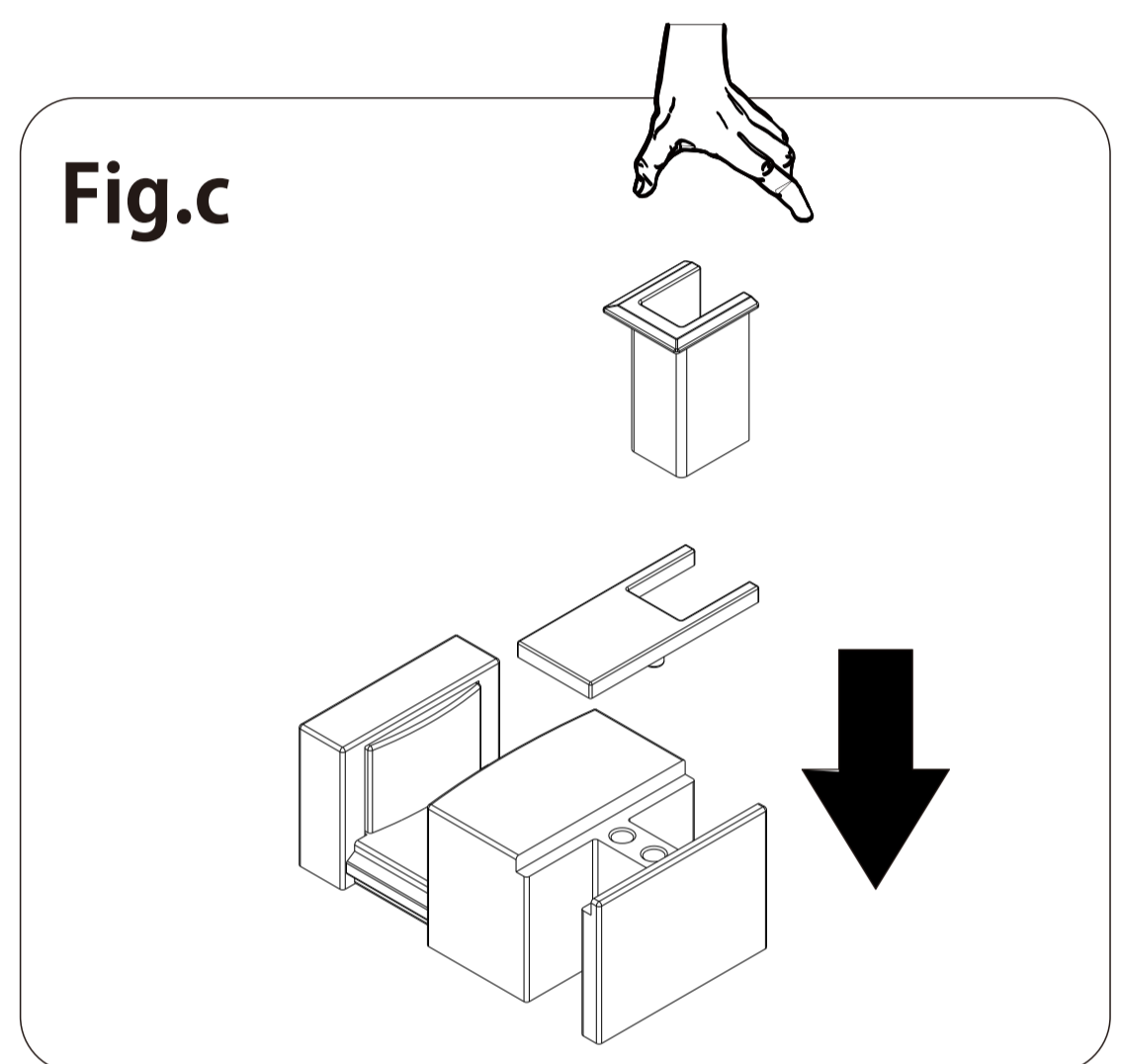
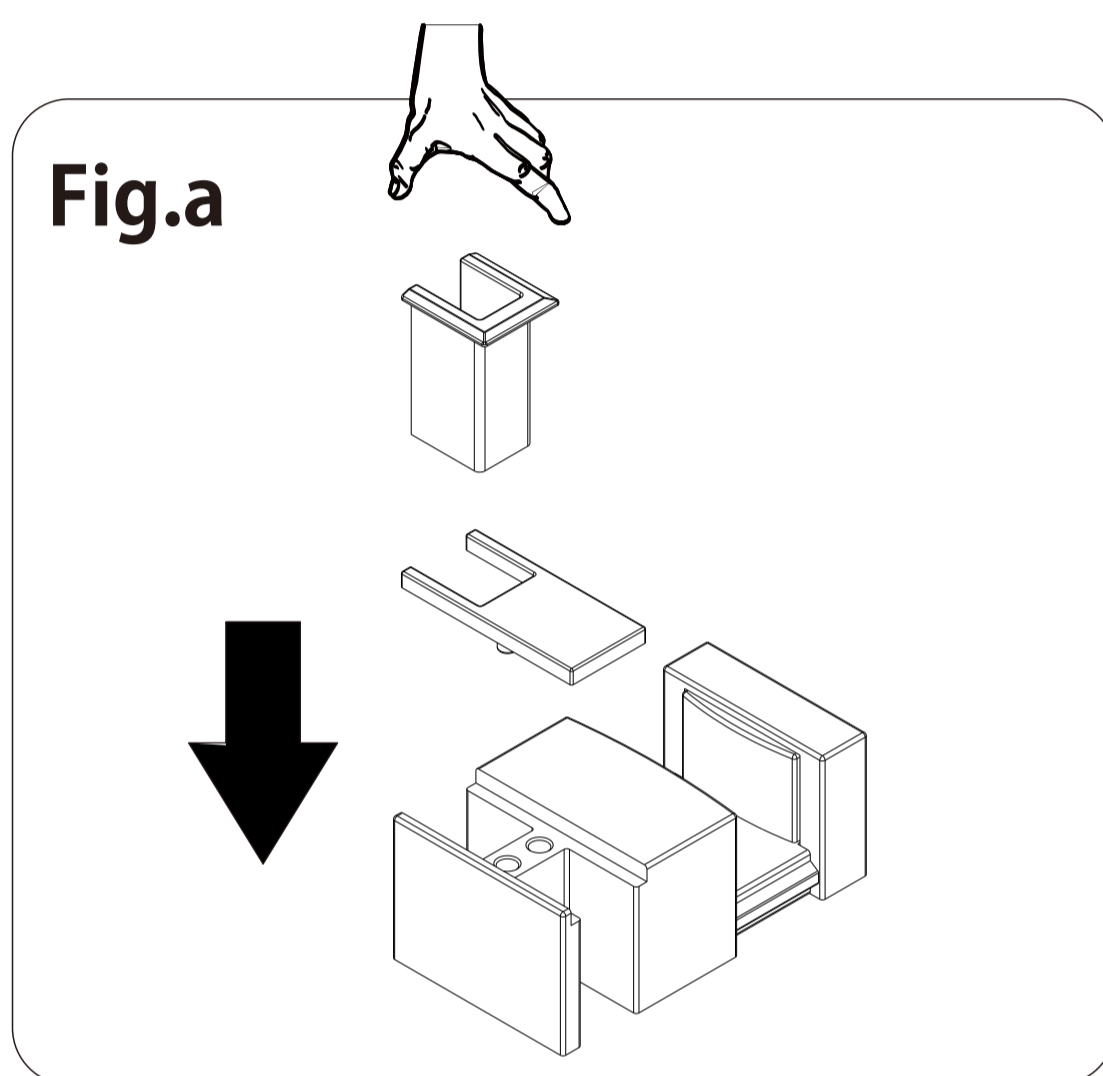


CAUTION: Do not put glass directly on the ground

12 Adjust the bottom **Guide Block(F)**

NOTE

1. When the **Stationary Glass(B)** is installed on the left, the installation state of the **Guide Block(F)** as Fig.a and Fig.b.
2. When the **Stationary Glass(B)** is installed on the right, the installation state of the **Guide Block(F)** as Fig.c and Fig.d.

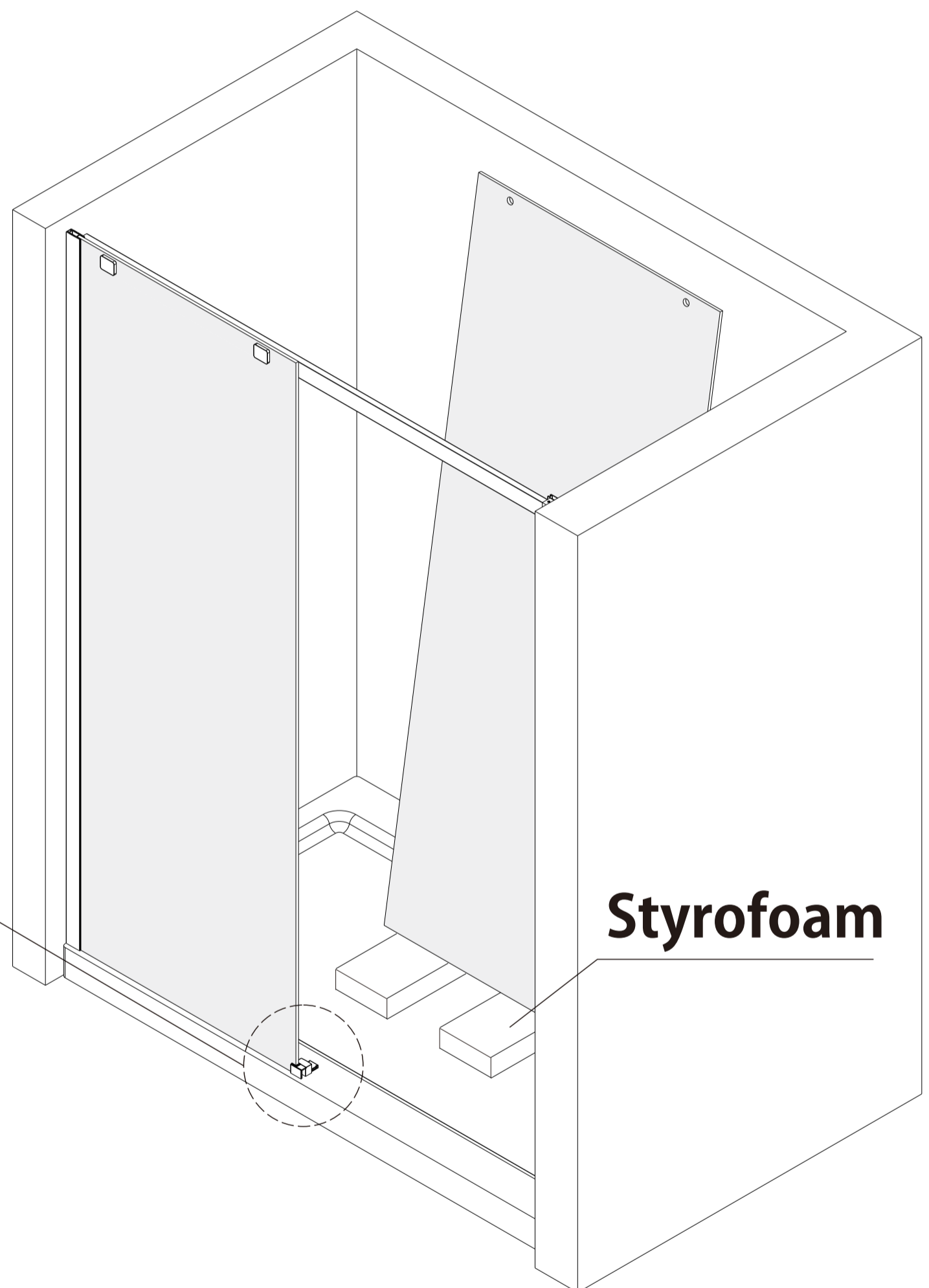
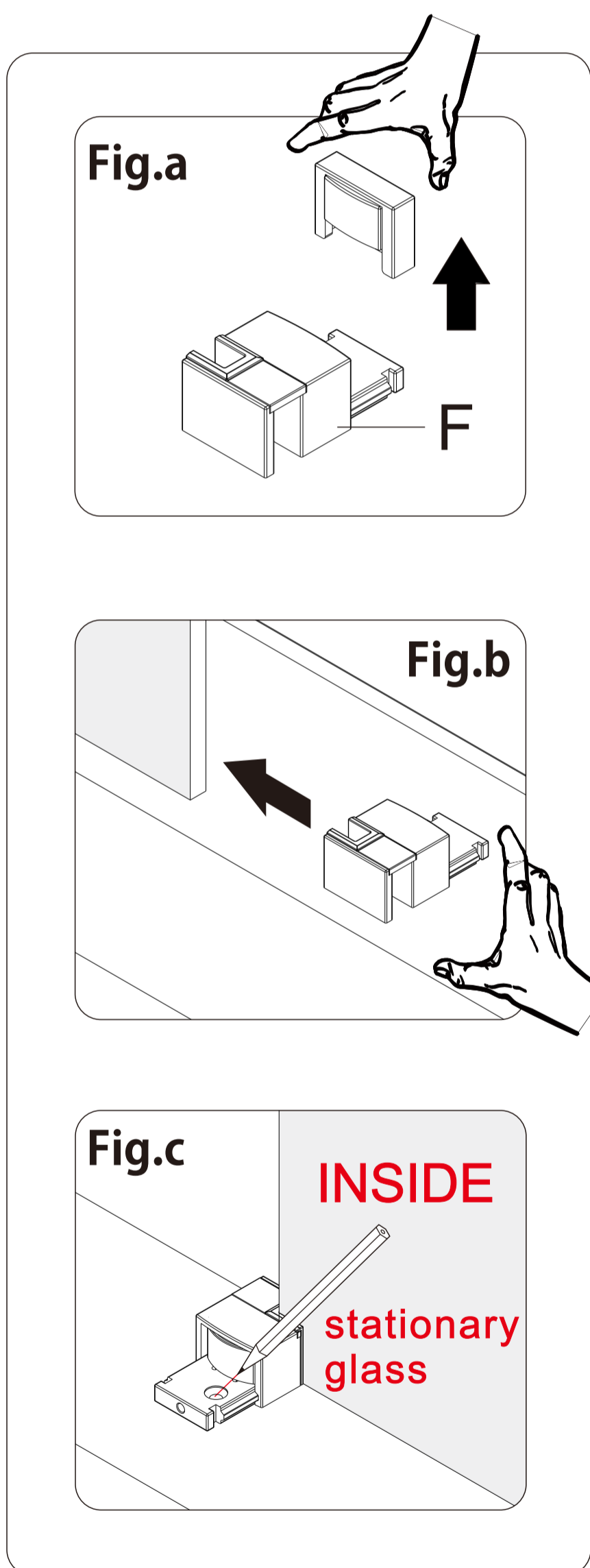


Note: The shower door can be installed left or right, according to the need to determine the installation direction.

13 Mark the holes in the **Guide Block(F)**

NOTE

1. Remove the **Guide Block(F)** decorative cover as Fig.a .
2. Install the **Guide Block(F)** on the **Stationary glass(B)** as Fig.b .
3. Mark the holes in the **Guide Block(F)** with a pencil as Fig.c .

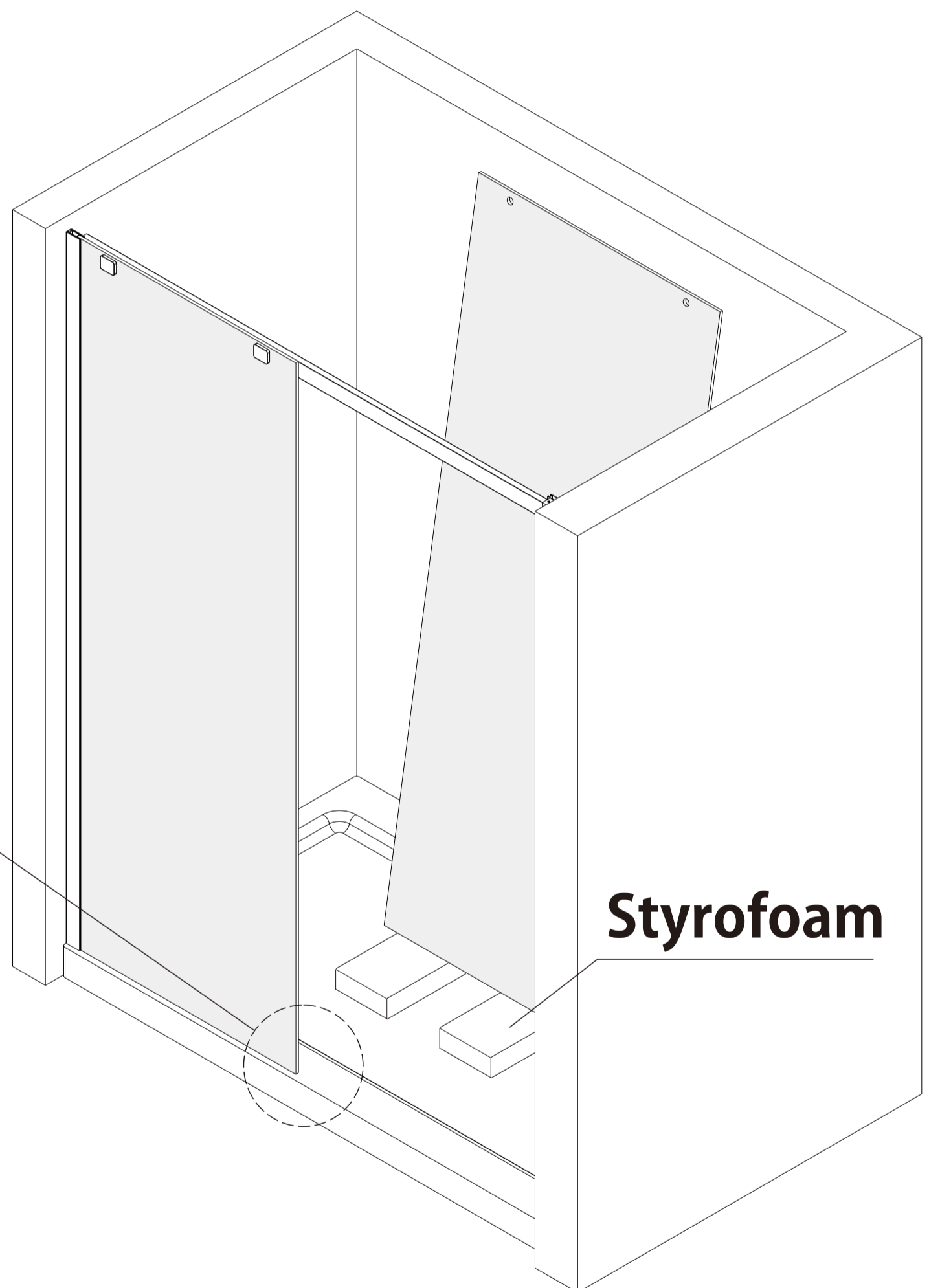
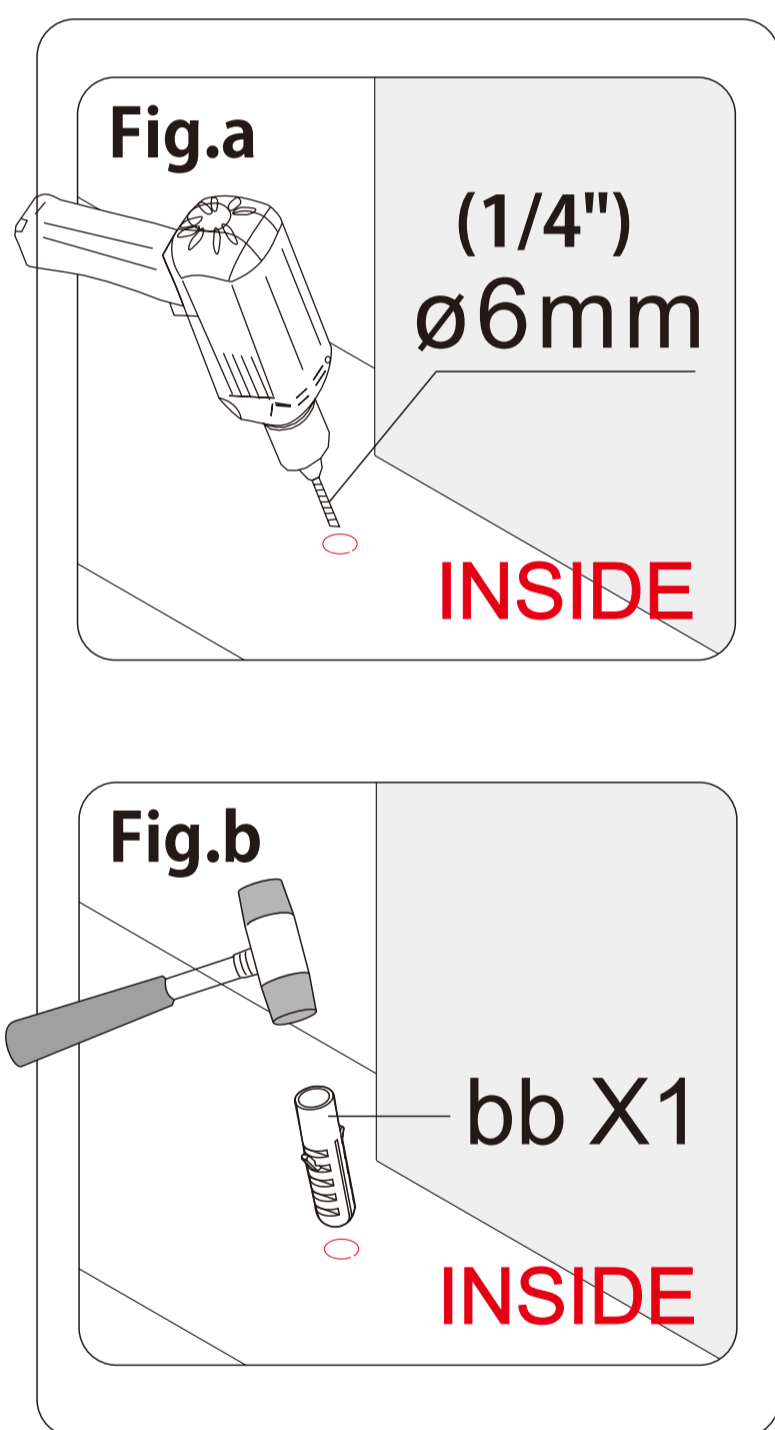


CAUTION: Do not put glass directly on the ground

14 Insert in **Wall Anchors(bb)**.

NOTE

1. Drill holes with $\phi 6\text{mm}(1/4\text{'})$ drill bit as Fig.a .
2. Insert **Wall Anchors(bb)** as Fig.b .

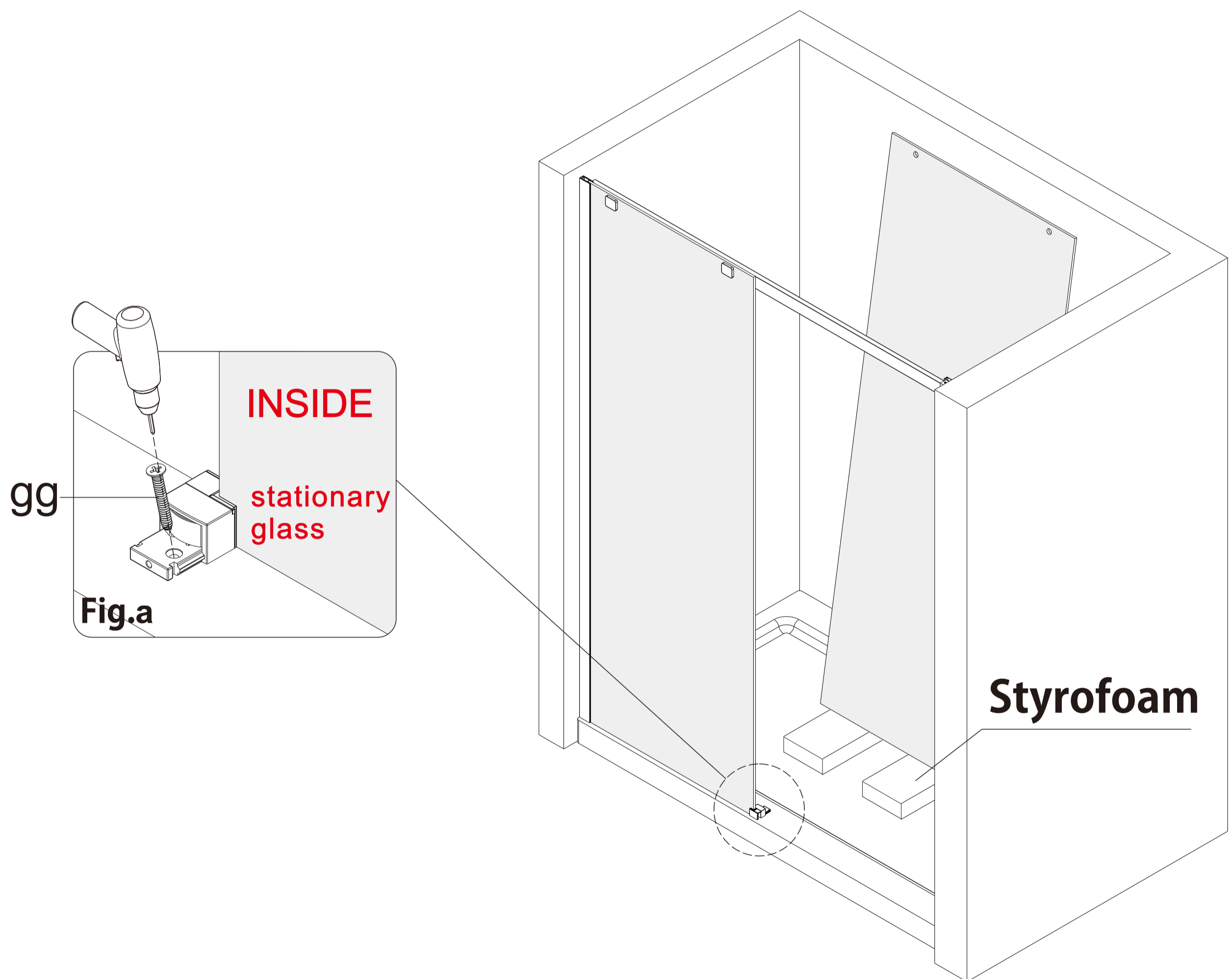


CAUTION: Do not put glass directly on the ground

15 Install **Guide Block(F)**

NOTE

Secure the **Guide Block(F)** with **Screws (gg)** as Fig.a .



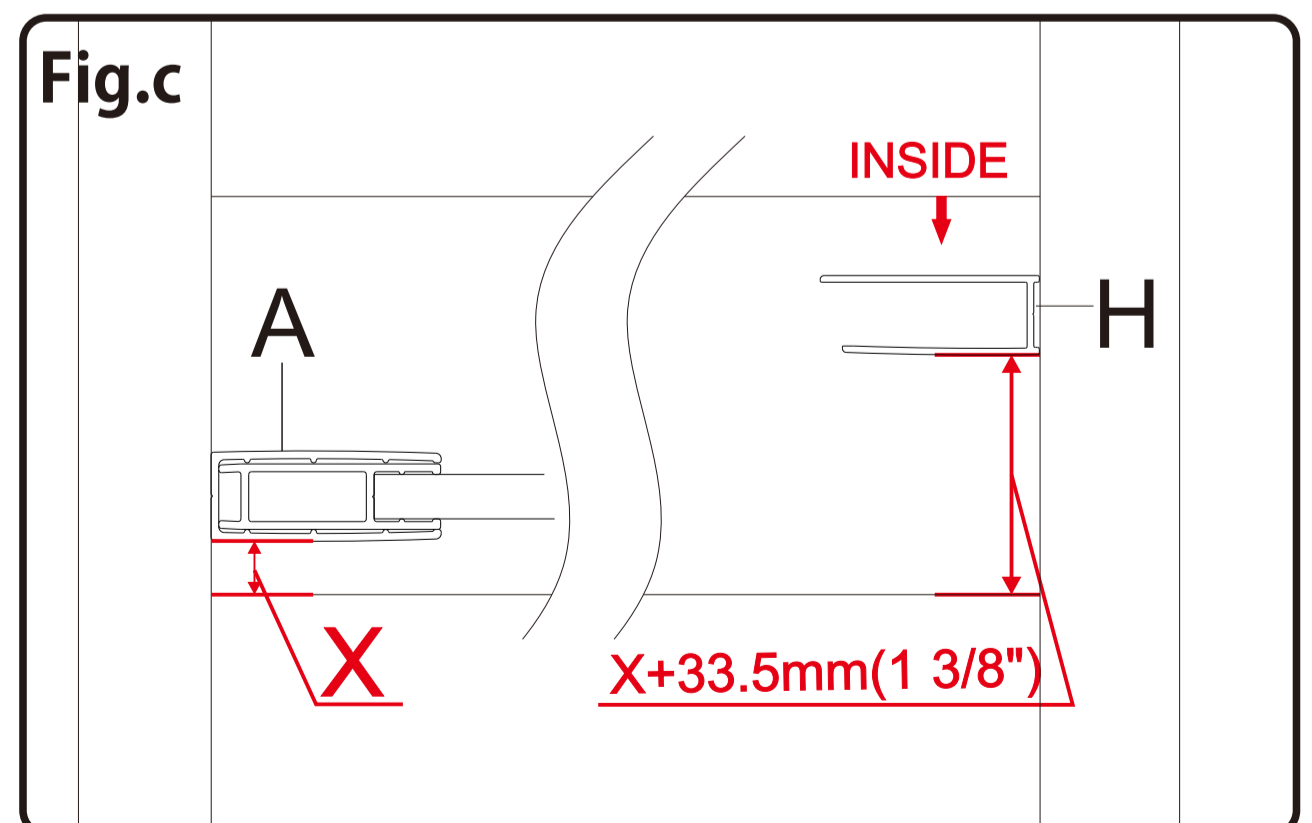
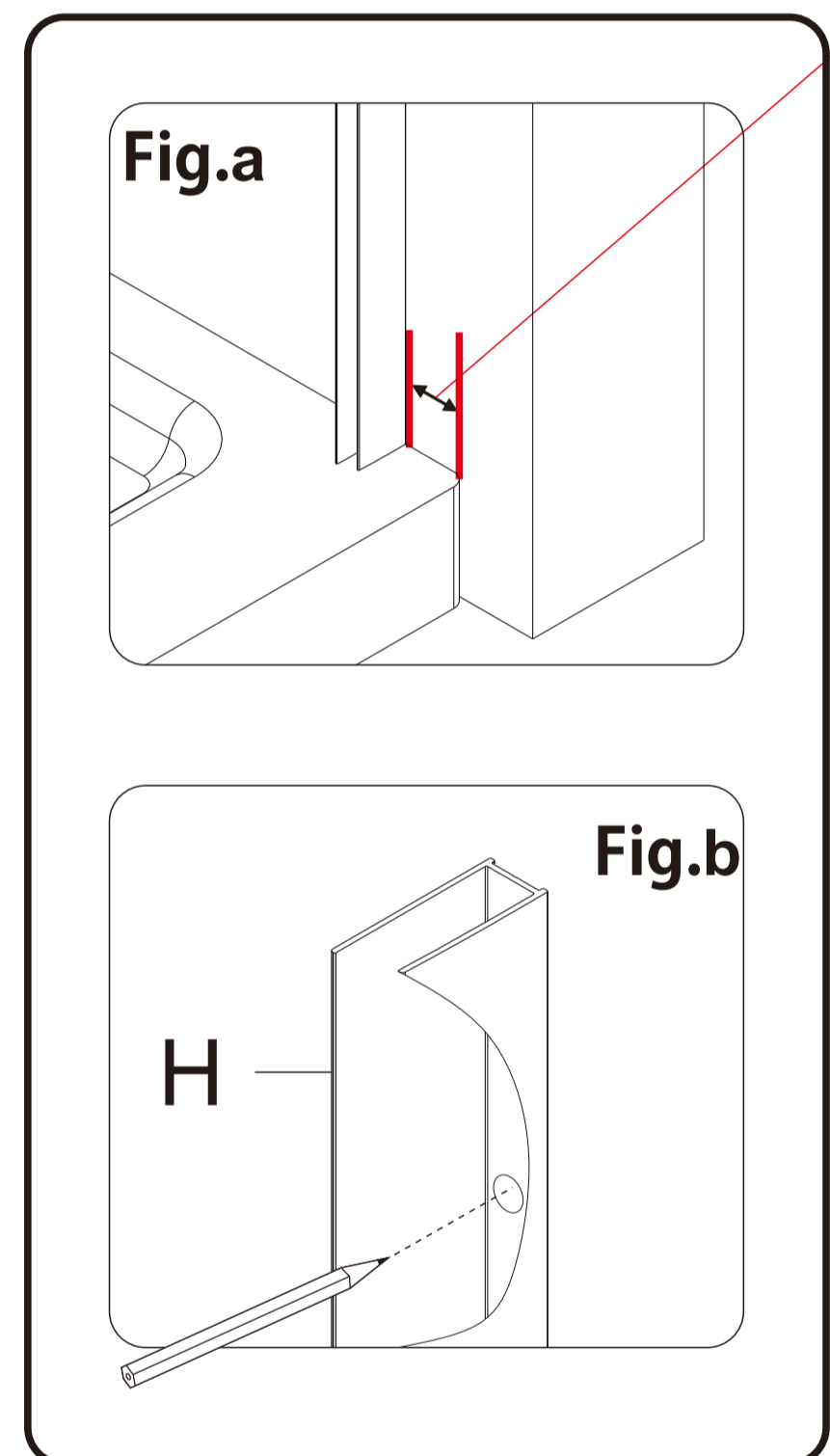
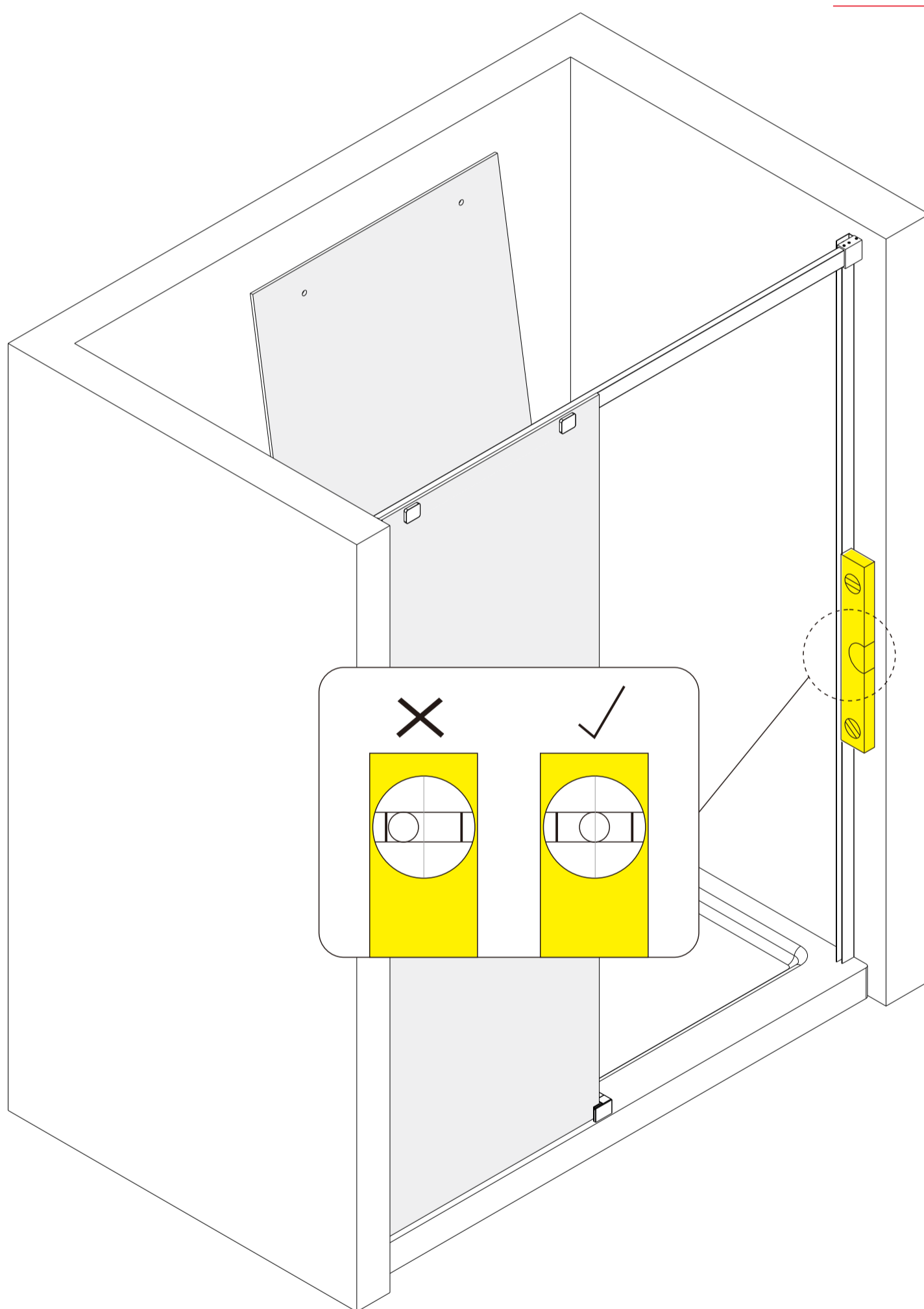
CAUTION: Do not put glass directly on the ground

16 Determine your starting point from the edge of tray and plumb your **Wall Jamb(H)**.

NOTE

1. First confirm the position of the **Wall Jamb(H)** from the bottom basin edge as Fig.a and Fig.c .
2. When the **Wall Jamb(H)** is vertical, mark the hole with a pencil as Fig.b .

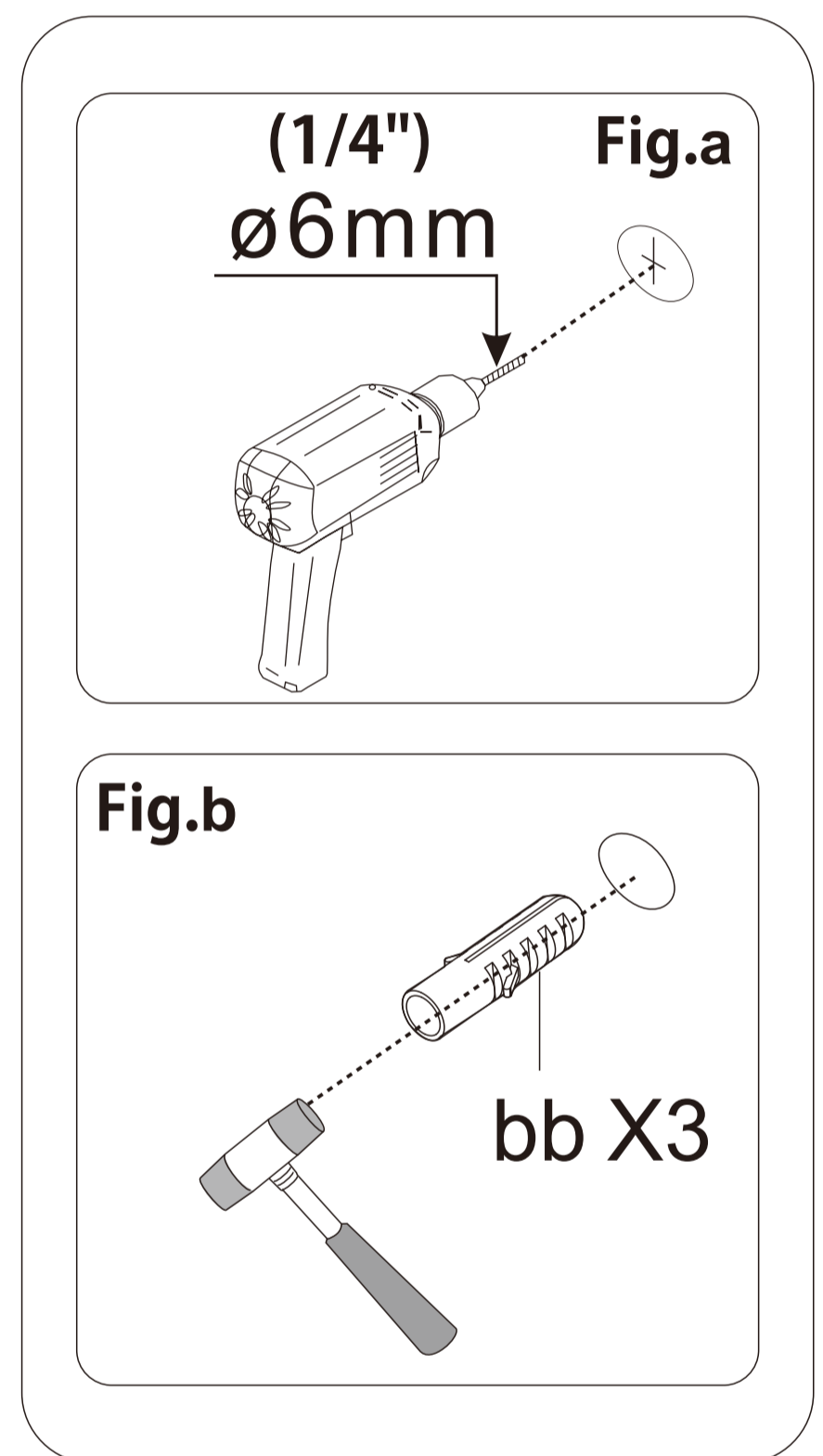
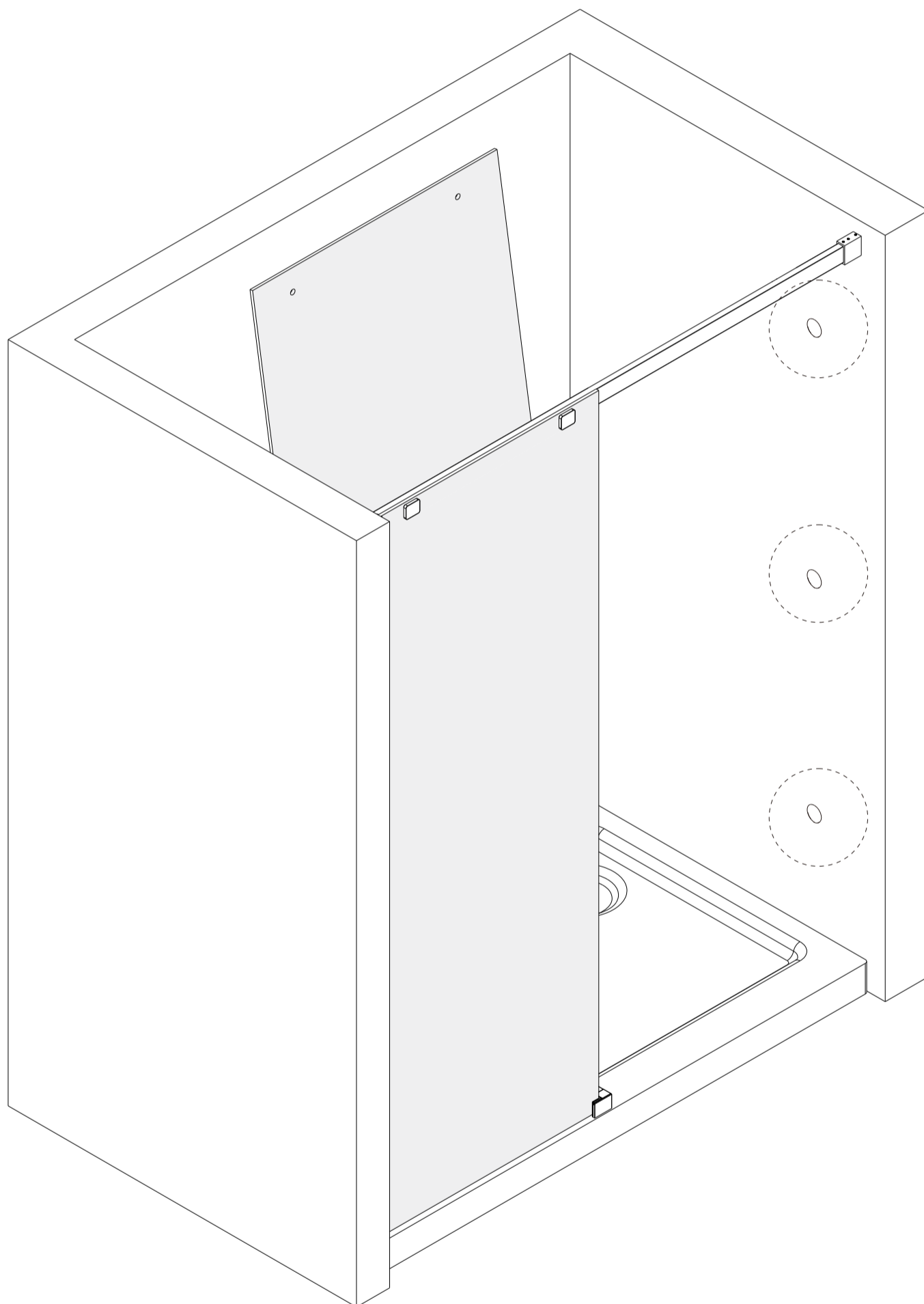
The dimension $+33.5\text{mm}(1\ 3/8\text{'})$ of the **Wall Jamb(A)** from the bottom basin edge is the dimension of the **wall Jamb(H)** from the bottom basin edge.



17 Drill holes and insert **Wall Anchor(bb)**

NOTE

1. Drill holes with $\phi 6\text{mm}(1/4\text{'})$ drill bit as Fig.a .
2. Insert **Wall Anchors(bb)** as Fig.b .



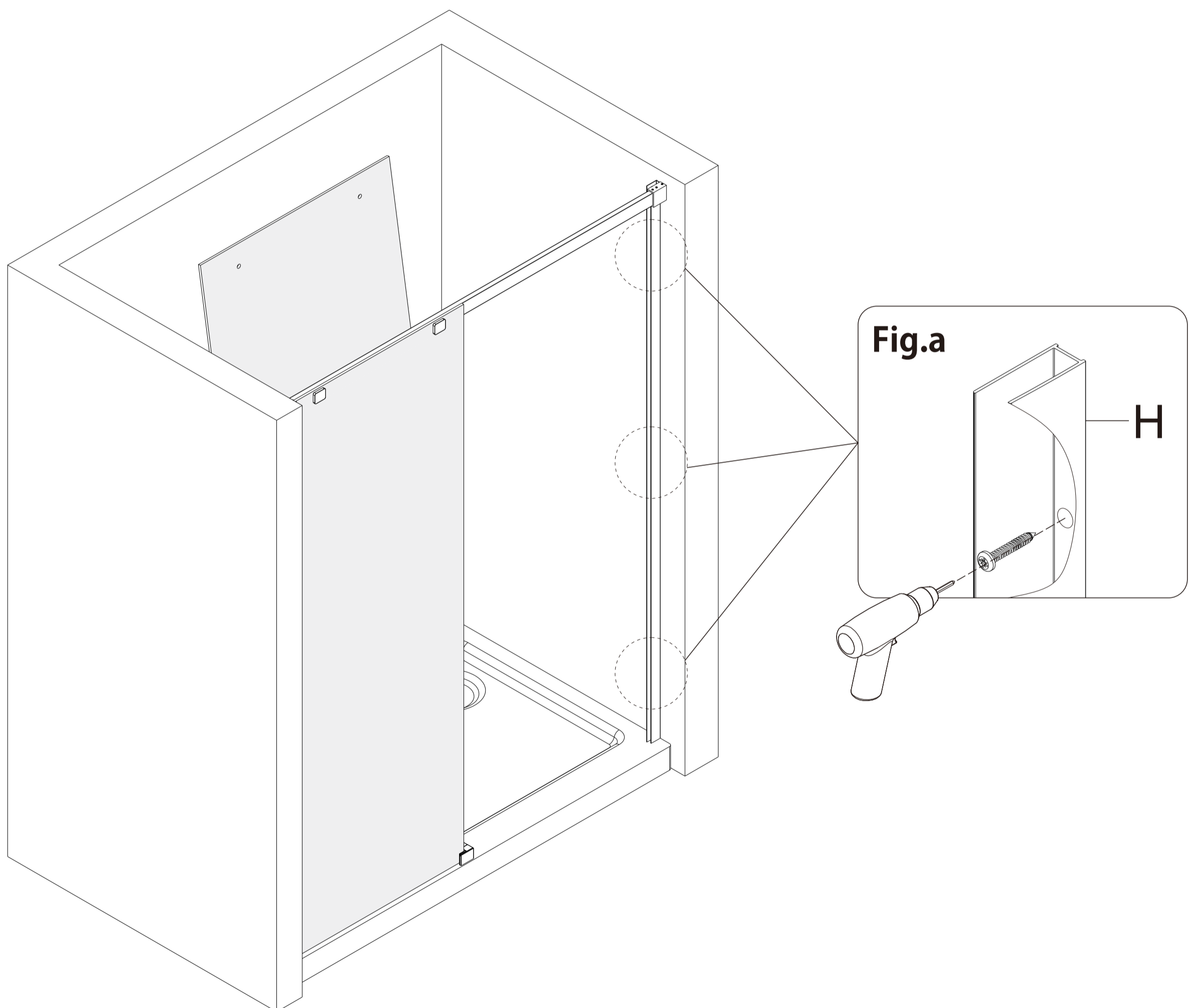
NOTE

- If a Stud is present behind the wall:
drill $\phi 1/8\text{'}$ (3mm) pilot holes into the stud and use the ST4.0x30mm **Screws(cc)**
OR
- If NO Stud is present behind the wall:
drill $\phi 1/4\text{'}$ (6mm) holes and insert the **Wall Anchors(bb)** and use the ST4.0x30mm **Screws(cc)**.

18 Install **Wall Jamb(H)**

NOTE

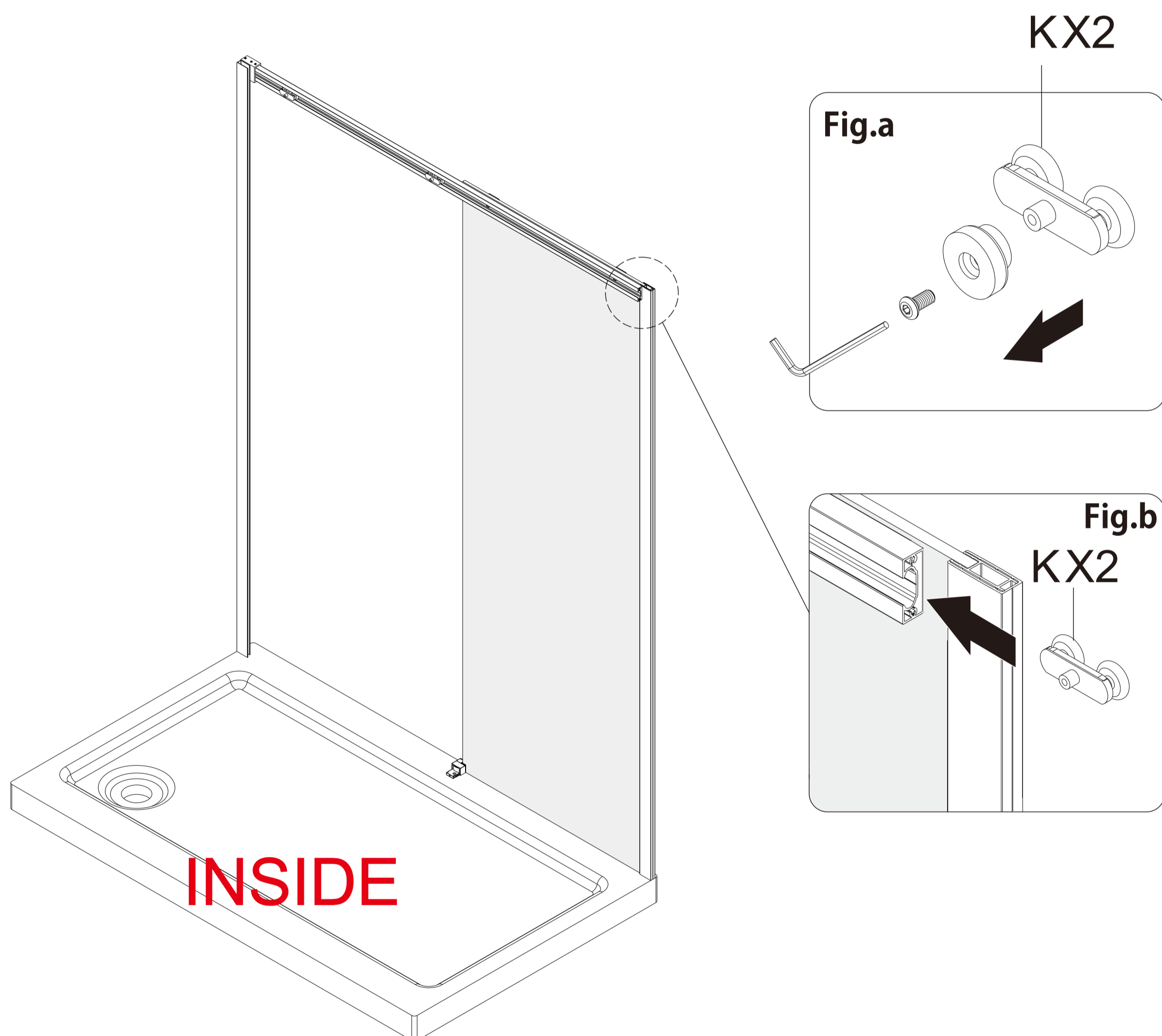
Attach the **Wall Jamb (H)** to the wall with **Screws (cc)** as Fig.a .



19 Install **Roller(K)**

NOTE

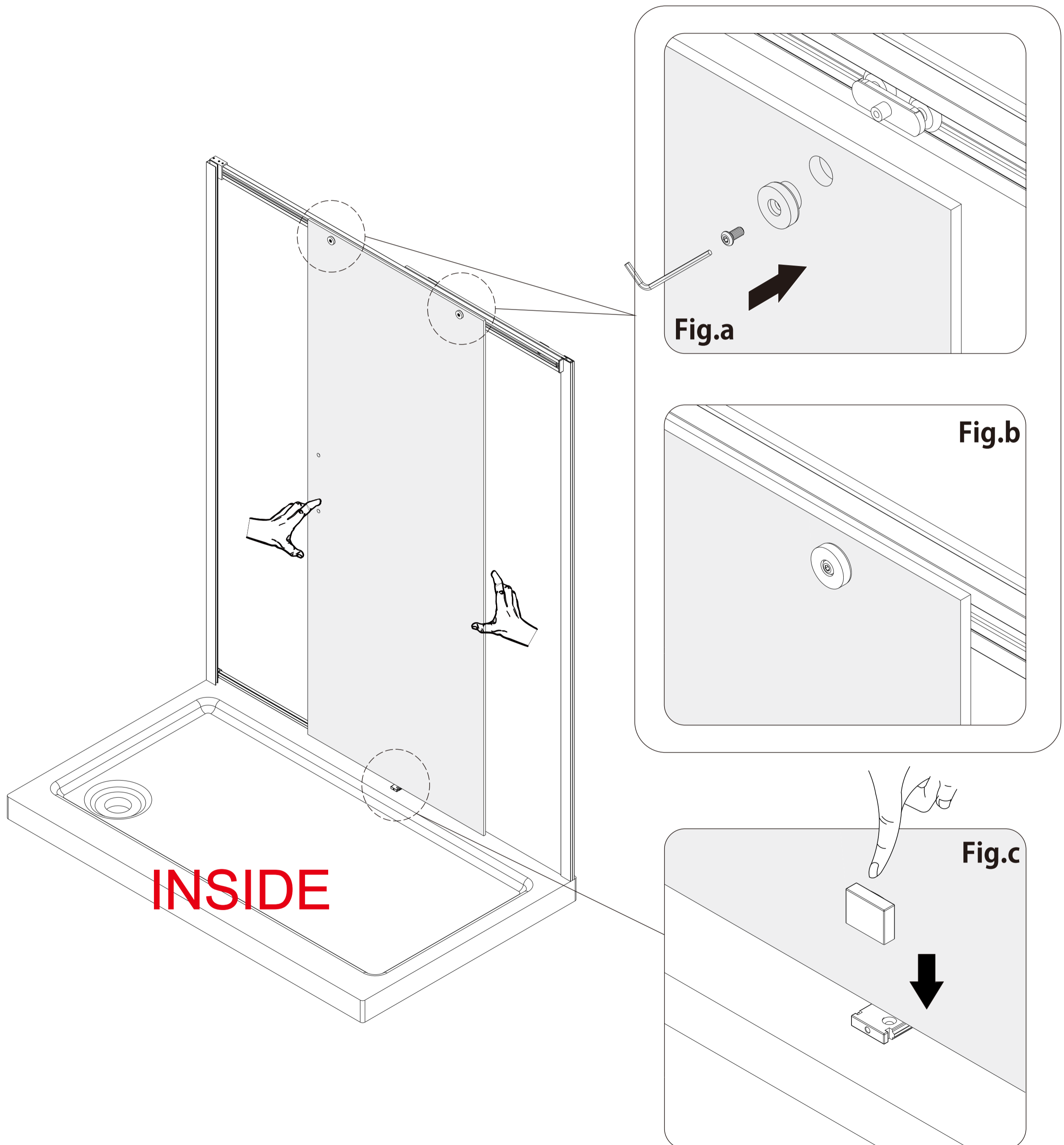
1. Loose the screw from the **Roller(K)** as Fig.a .
2. Insert the **Roller(K)** into the **Upper Guide Rail(G)** as Fig.b .



20 Install the **Glass Door(E)**

NOTE

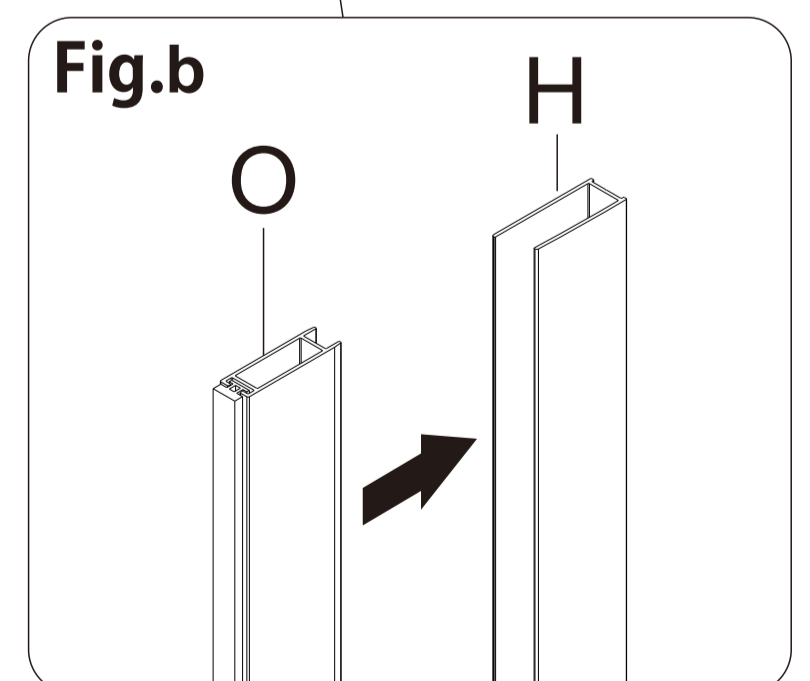
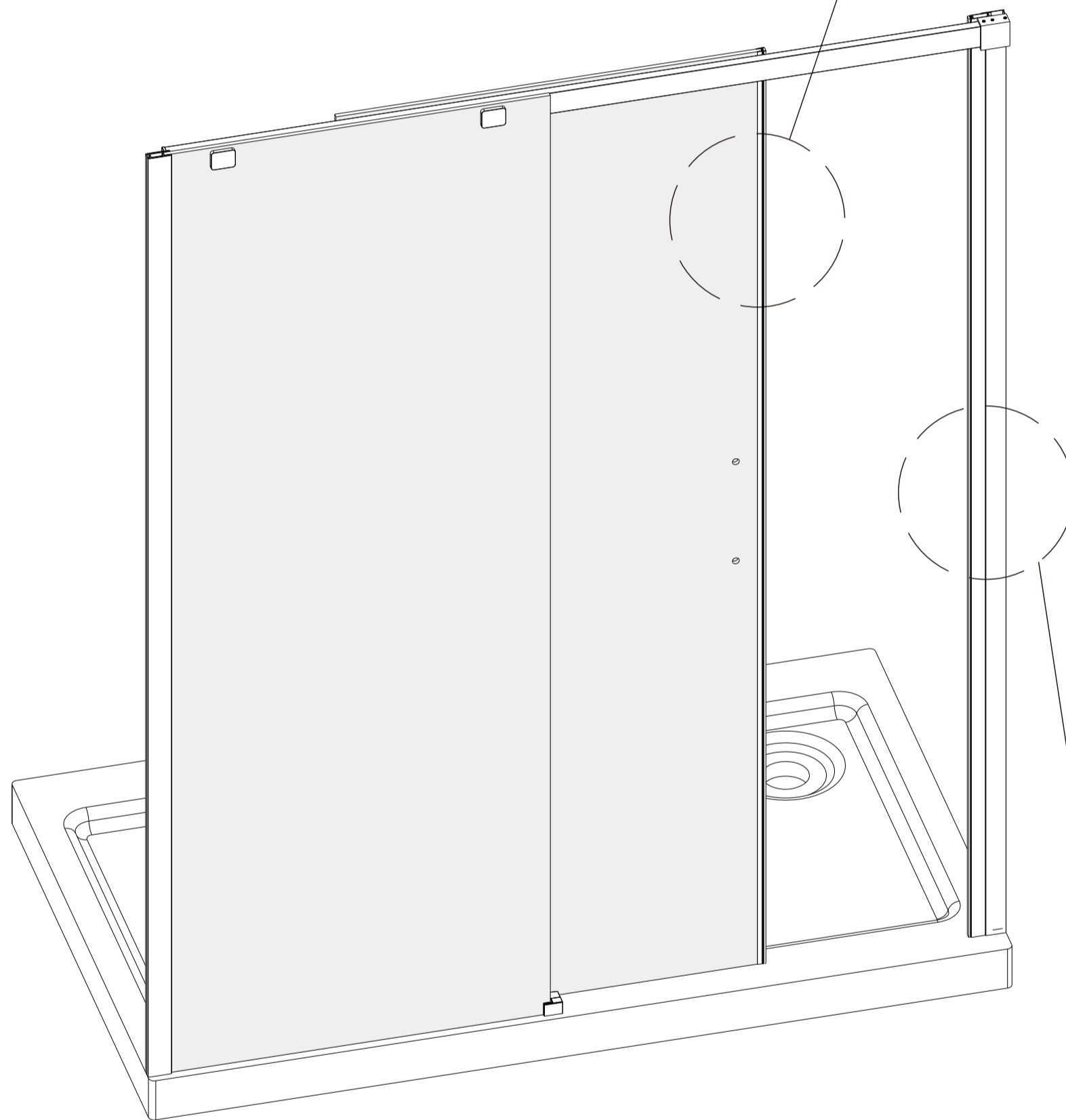
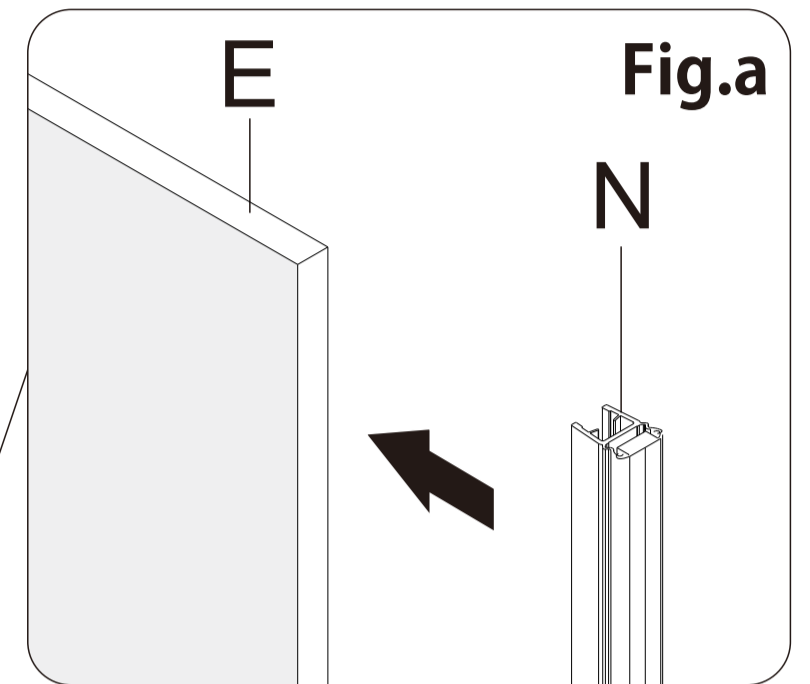
1. Connect the **Glass Door(E)** to two **Rollers(K)** as Fig.a and Fig.b .
2. Then fit the cover cap to the **Guide Block(F)**, and insert the bottom of **Glass Door(E)** into the **Guide Block(F)** as Fig.c .



21 Install **Magnetic Strip(N)** and **Magnetic strip aluminum(O)**

NOTE

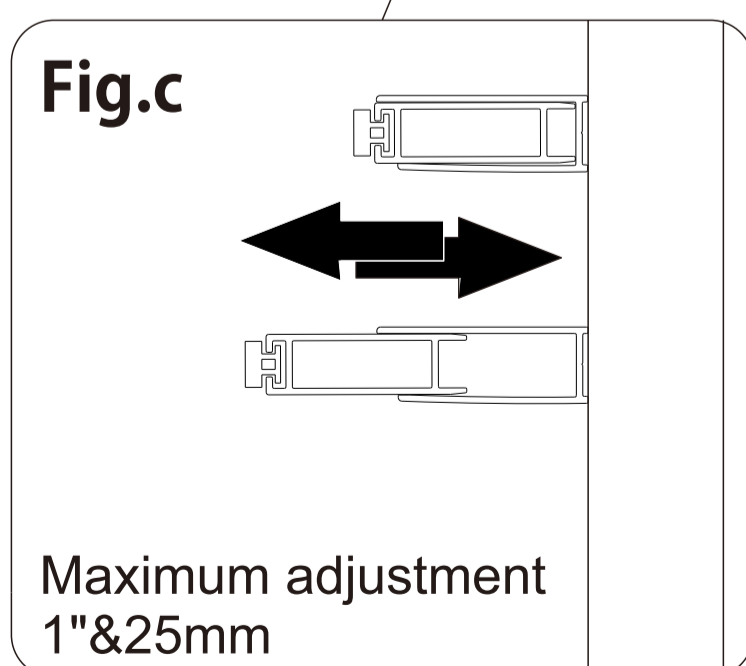
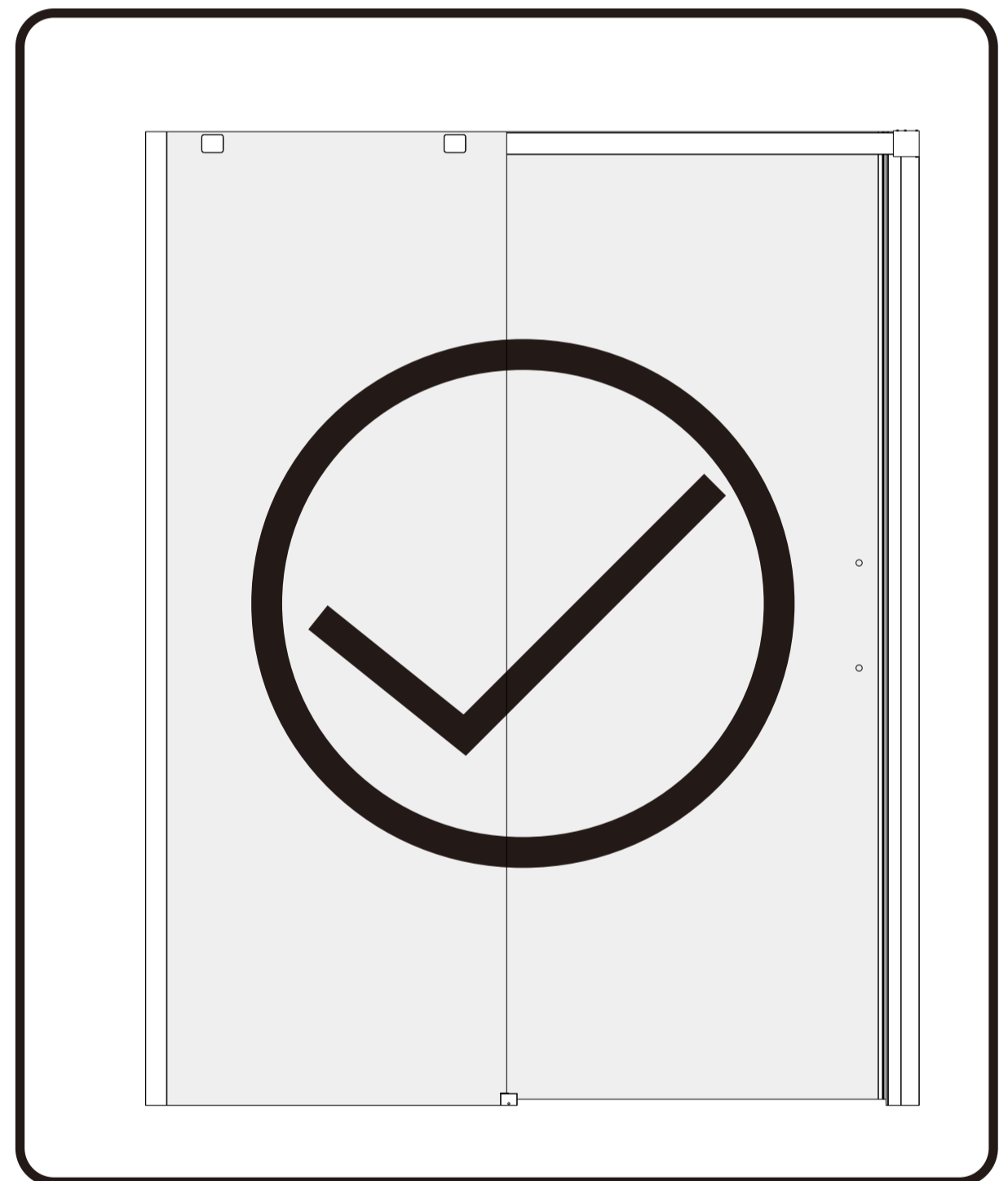
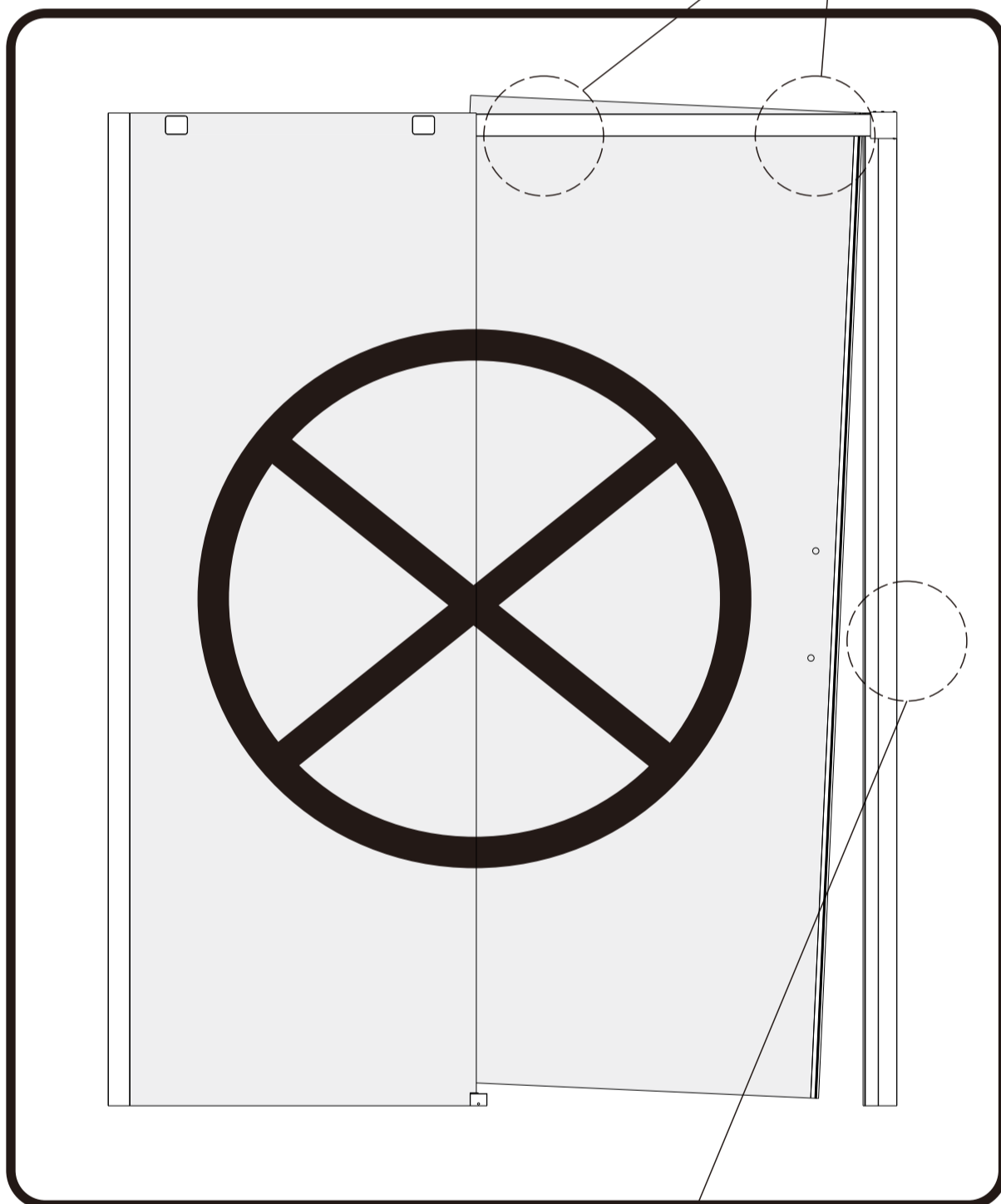
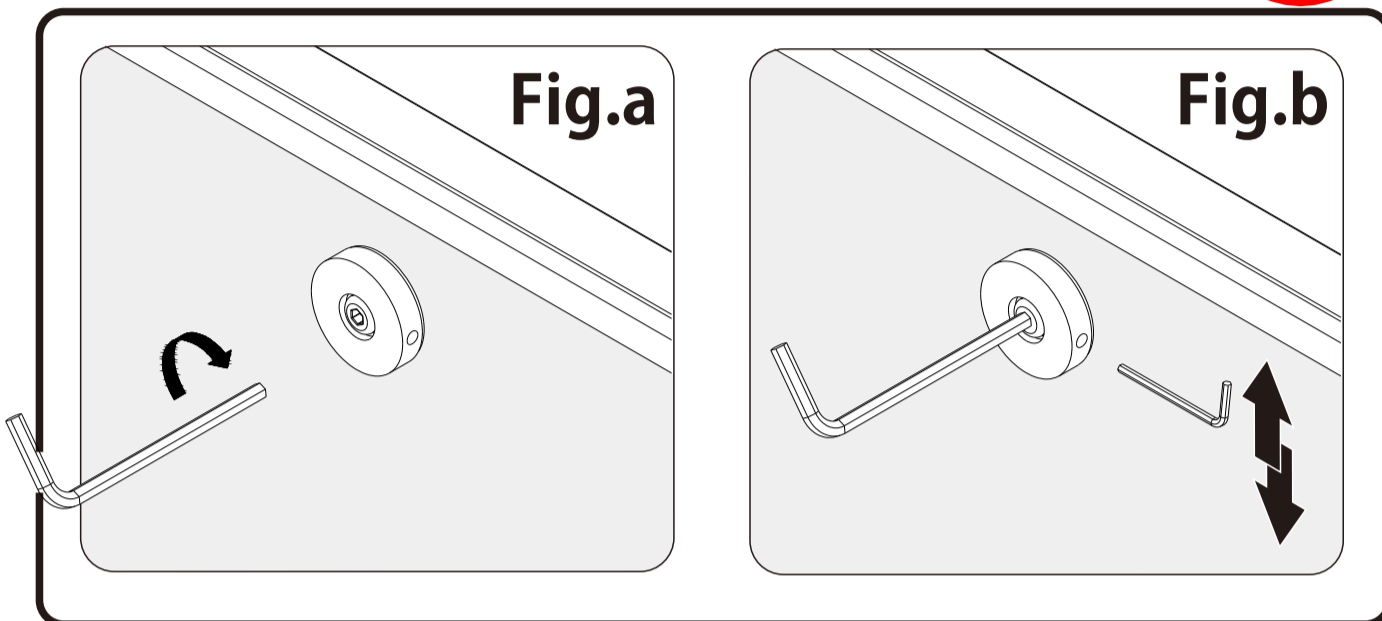
1. Install **Magnetic Strip(N)** on **Glass Door(E)** as **Fig.a** .
2. Mount the **Alum.Extrusion w/magnet strip(O)** on the **Wall Jamb(H)** as **Fig.b** .



22 Adjustment

NOTE

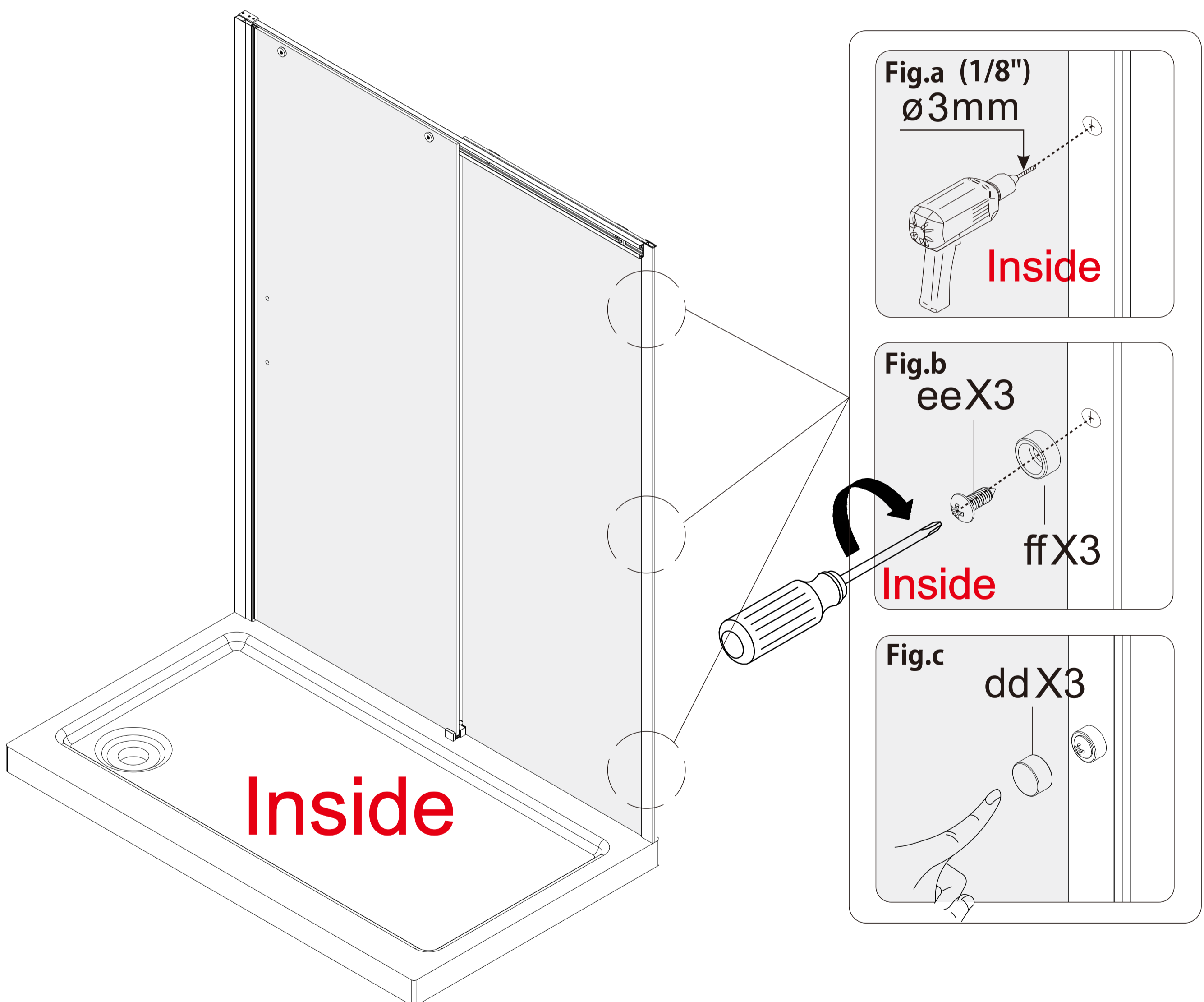
1. Loose the screw from the **Roller(K)** a turn with the allen wrench as Fig.a .
2. Adjust this screw to make the **Glass Door(E)** level as Fig.b .
3. The largest adjustment for **Alum.Extrusion w/magnet strip (O)** is 1" & 25mm as Fig.c .



23 Fix the **Stationary Glass(B)**

NOTE

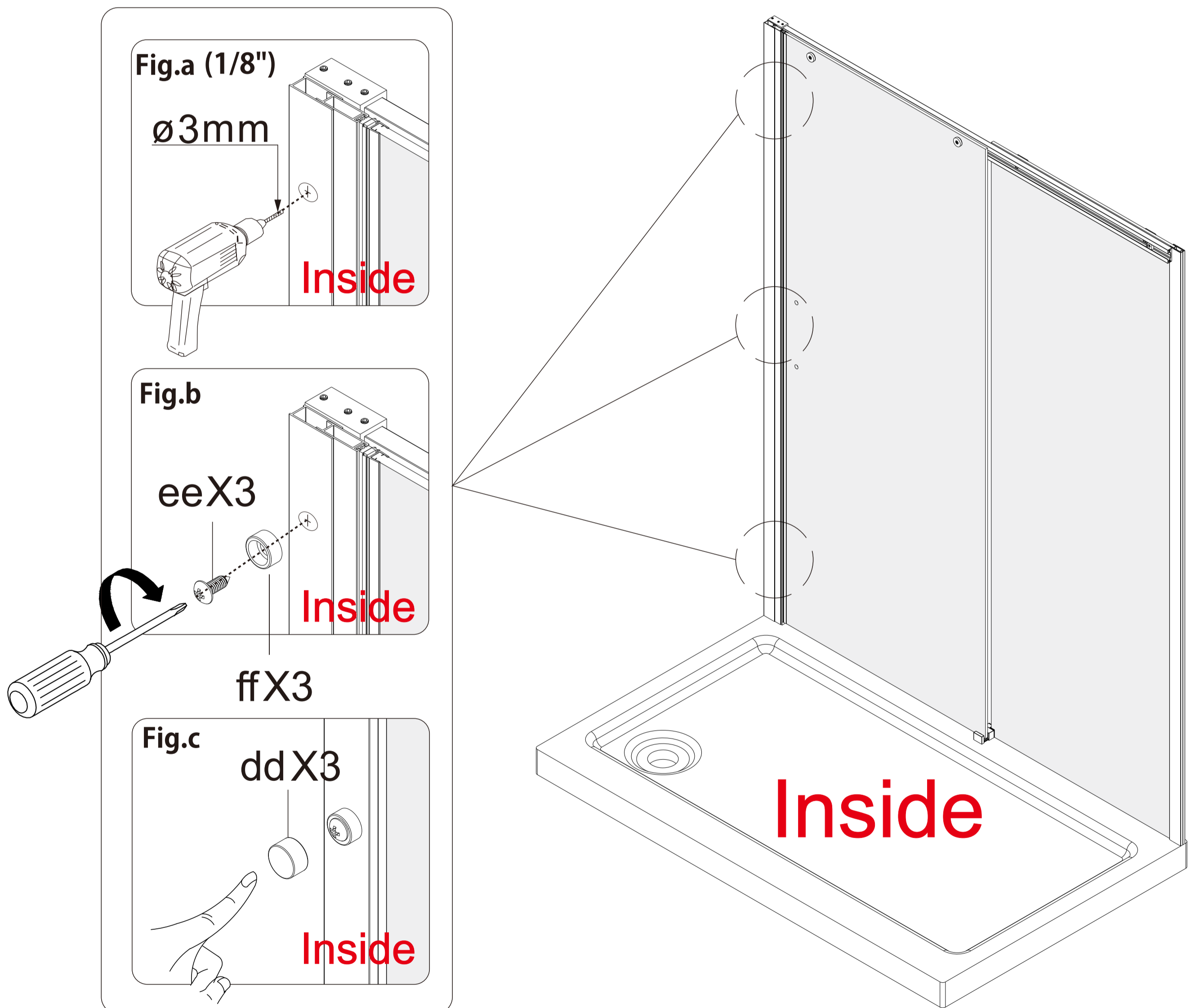
1. Drill three holes in the **Wall Jamb(A)** as Fig.a .
2. Fix the **Stationary Glass(B)** with **Screws(ee)** as Fig.b.
3. Fit the **Screw Cap(dd)** as Fig.c .



24 Fix the **Magnetic strip aluminum(O)**

NOTE

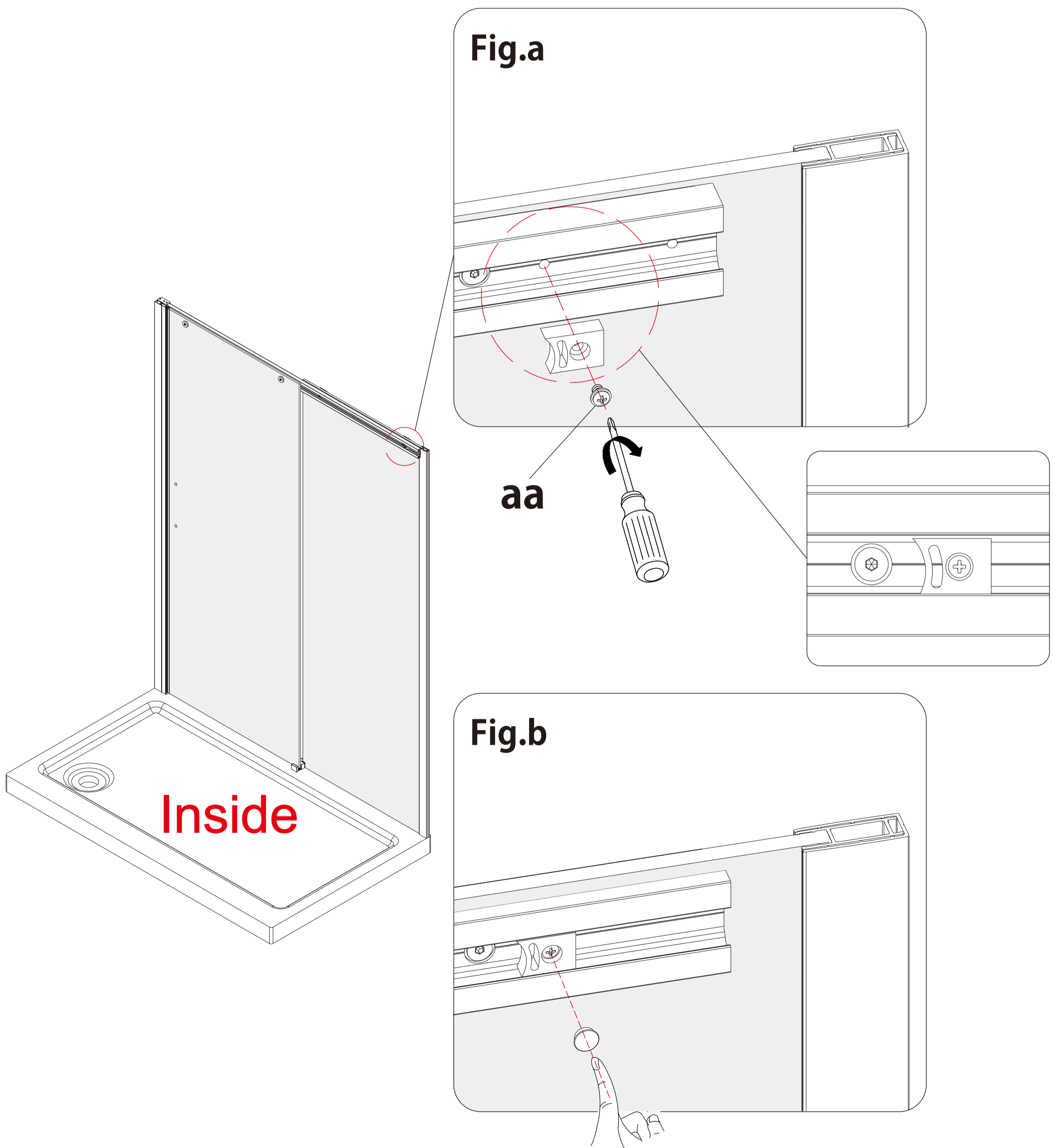
1. Drill three holes in the **Wall Jamb(H)** as Fig.a .
2. Fix the **Alum.Extrusion w/magnet strip(O)** with **Screws(ee)** as Fig.b.
3. Fit the **Screw Cap(dd)** as Fig.c .



25 Install Roller Guard(P)

NOTE

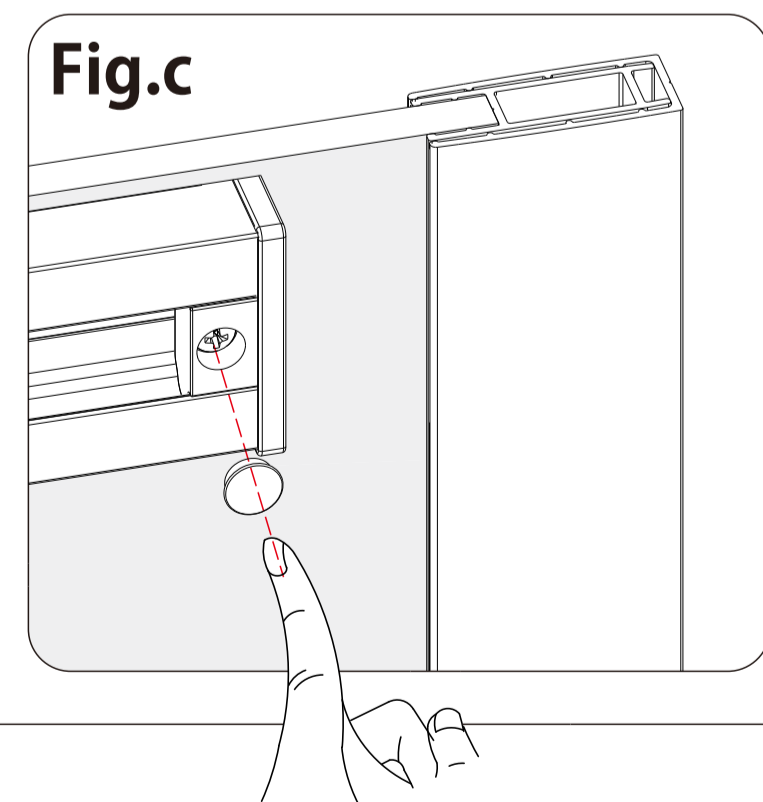
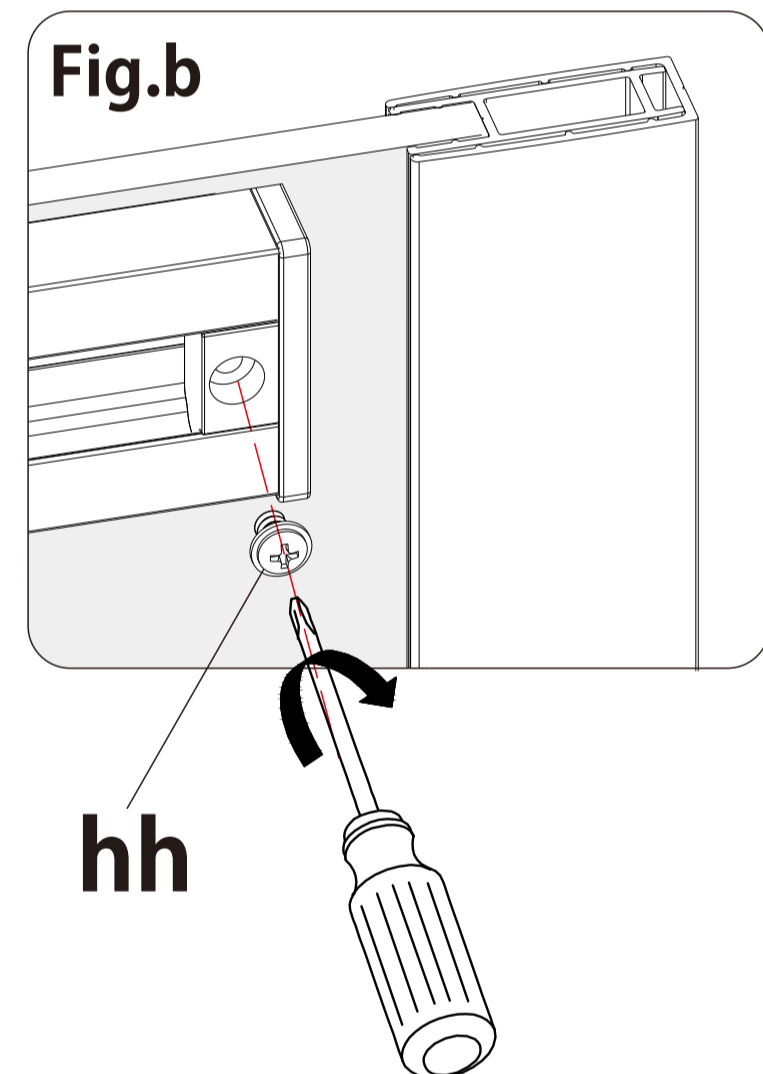
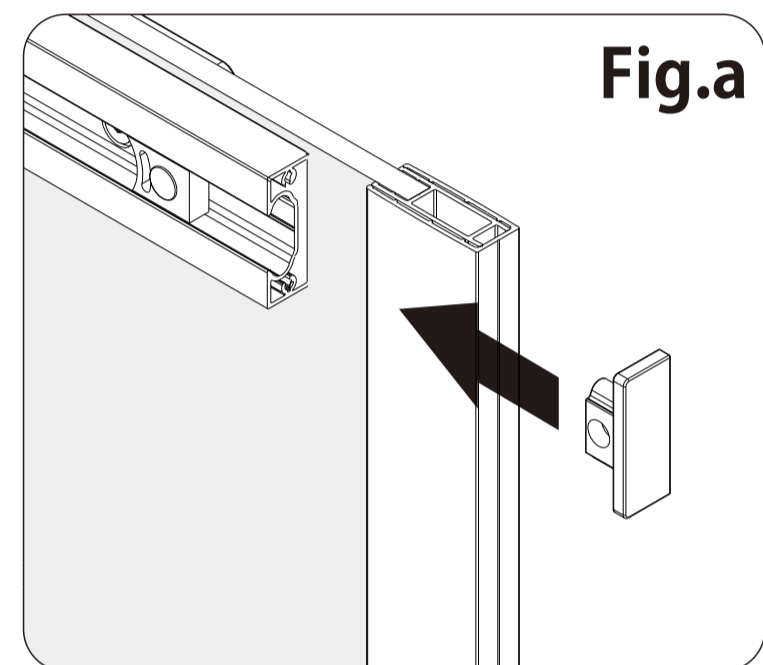
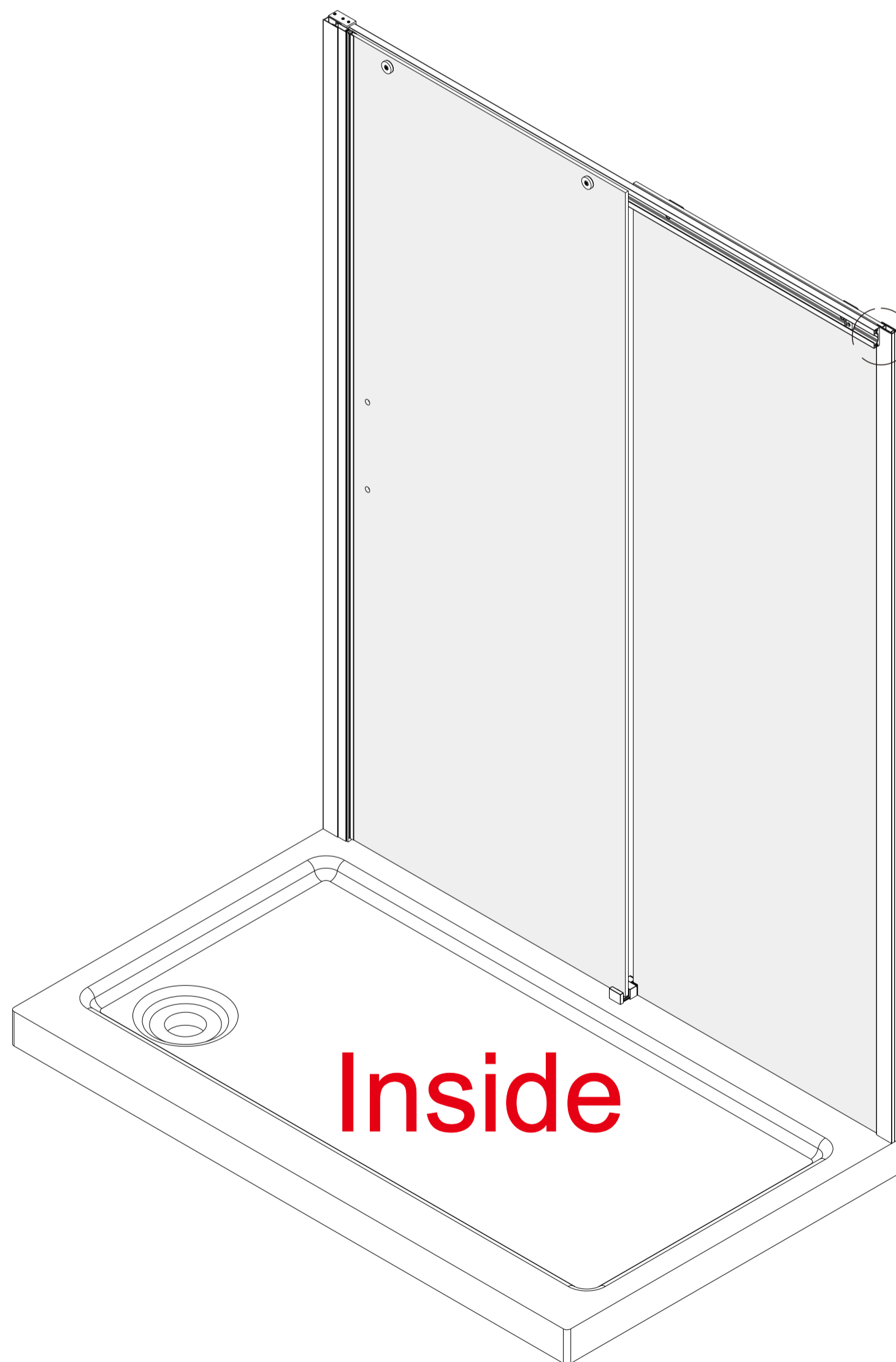
1. Insert the **Roller Guard(P)** to the **Upper Guide Rail(G)** as Fig.a .
2. Fit the screw cover cap as Fig.b .



26 Install Rail End Cap(D)

NOTE

1. Install Rail End Cap(D) to the Upper Guide Rail(G) as Fig.a .
2. Fix it with Screw(hh) as Fig.b .
3. Fit the screw cover cap as Fig.c



27 Install cover cap

NOTE

1. Fit the screw cover cap for the **Stationary Glass Fastener(I)** as Fig.a .
2. Fit the screw cover cap for the Roller(K) as Fig.b .

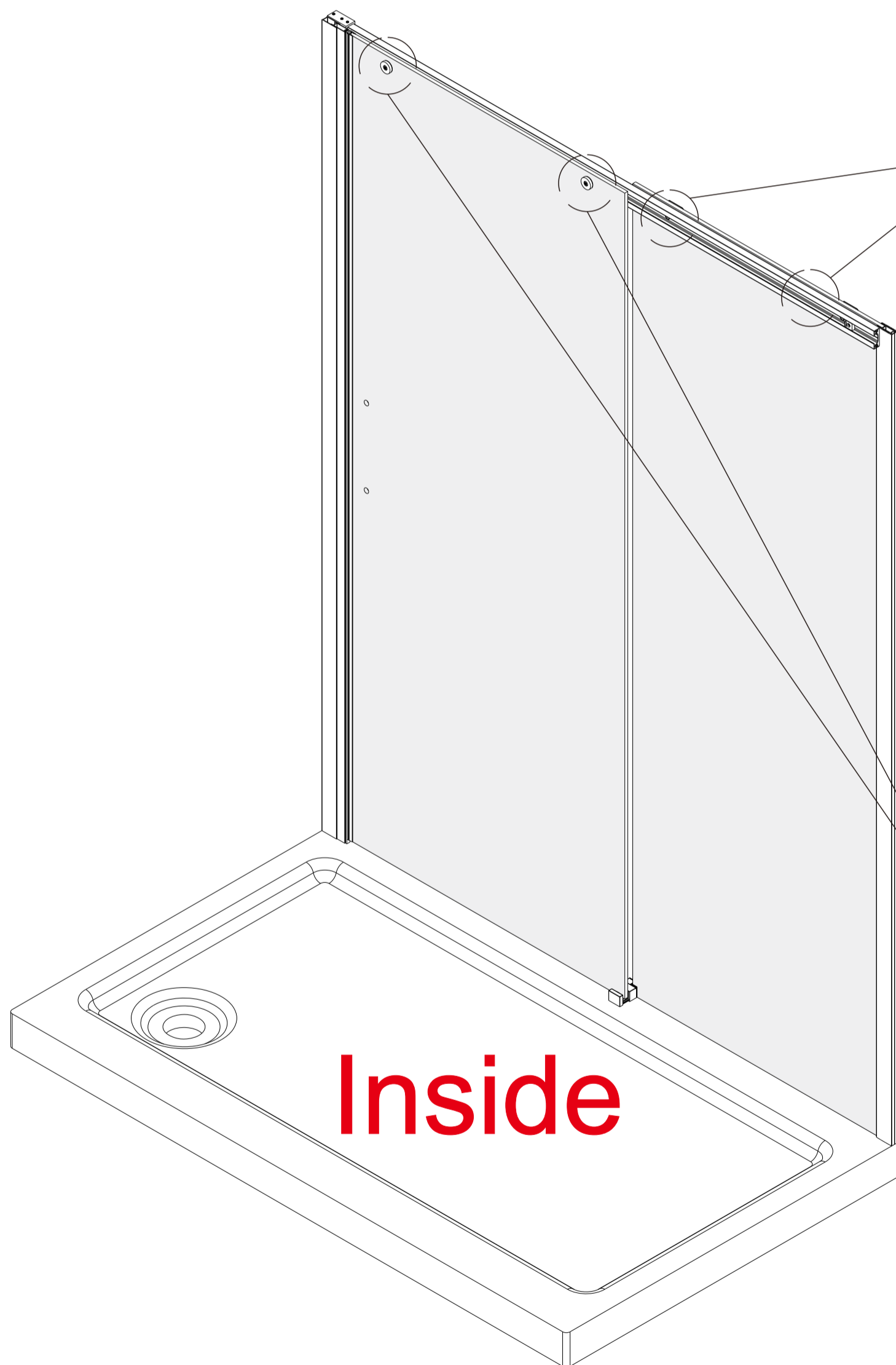


Fig.a

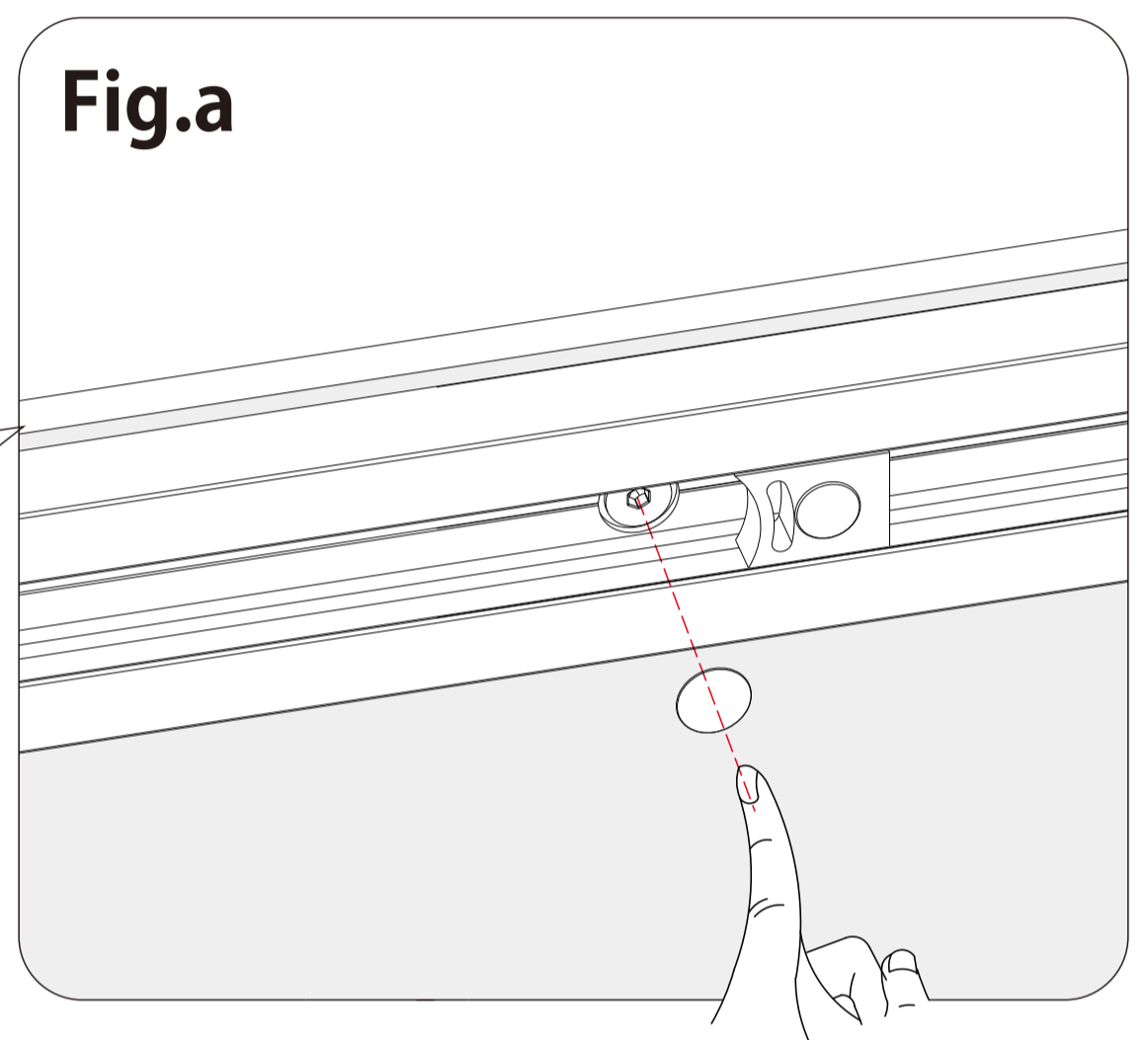
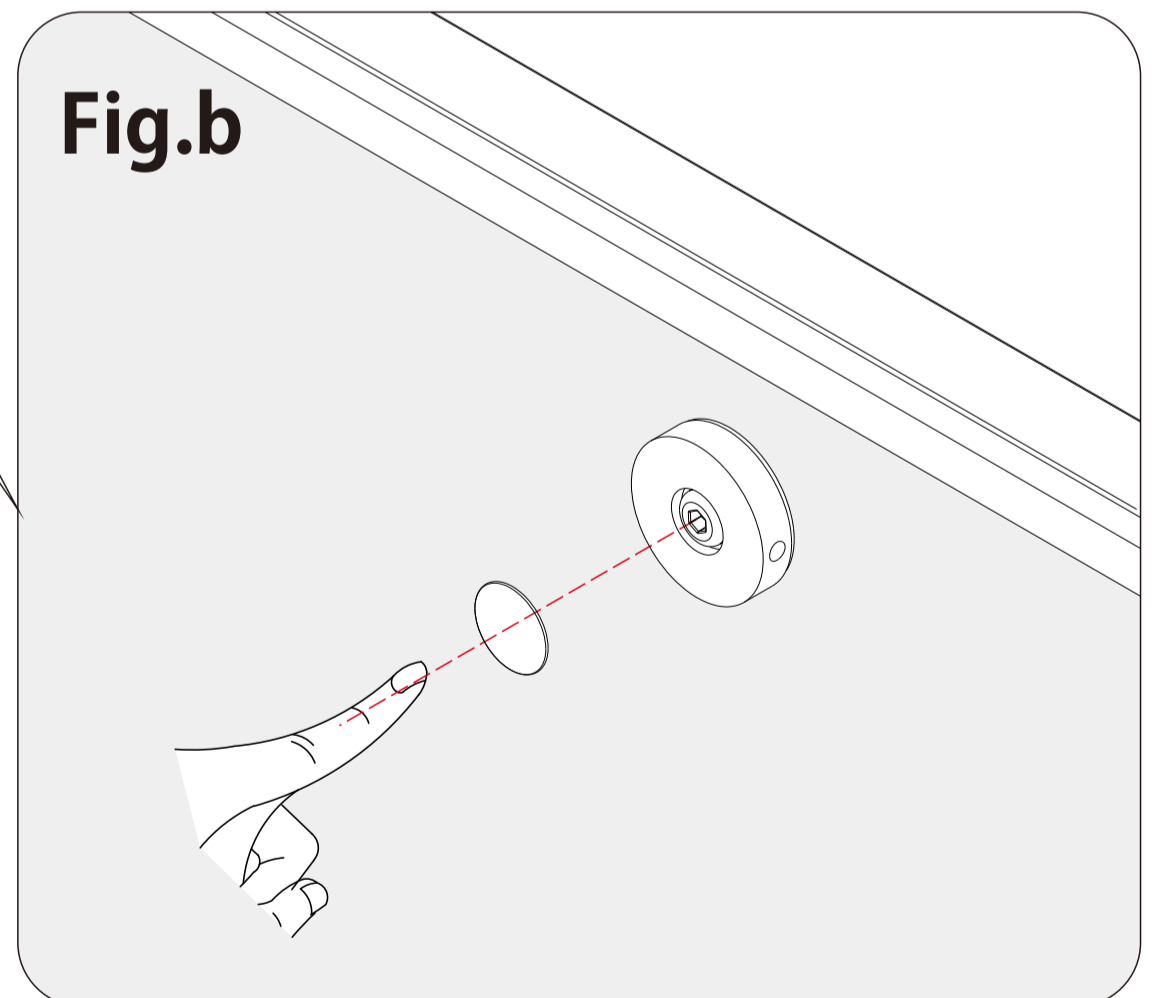


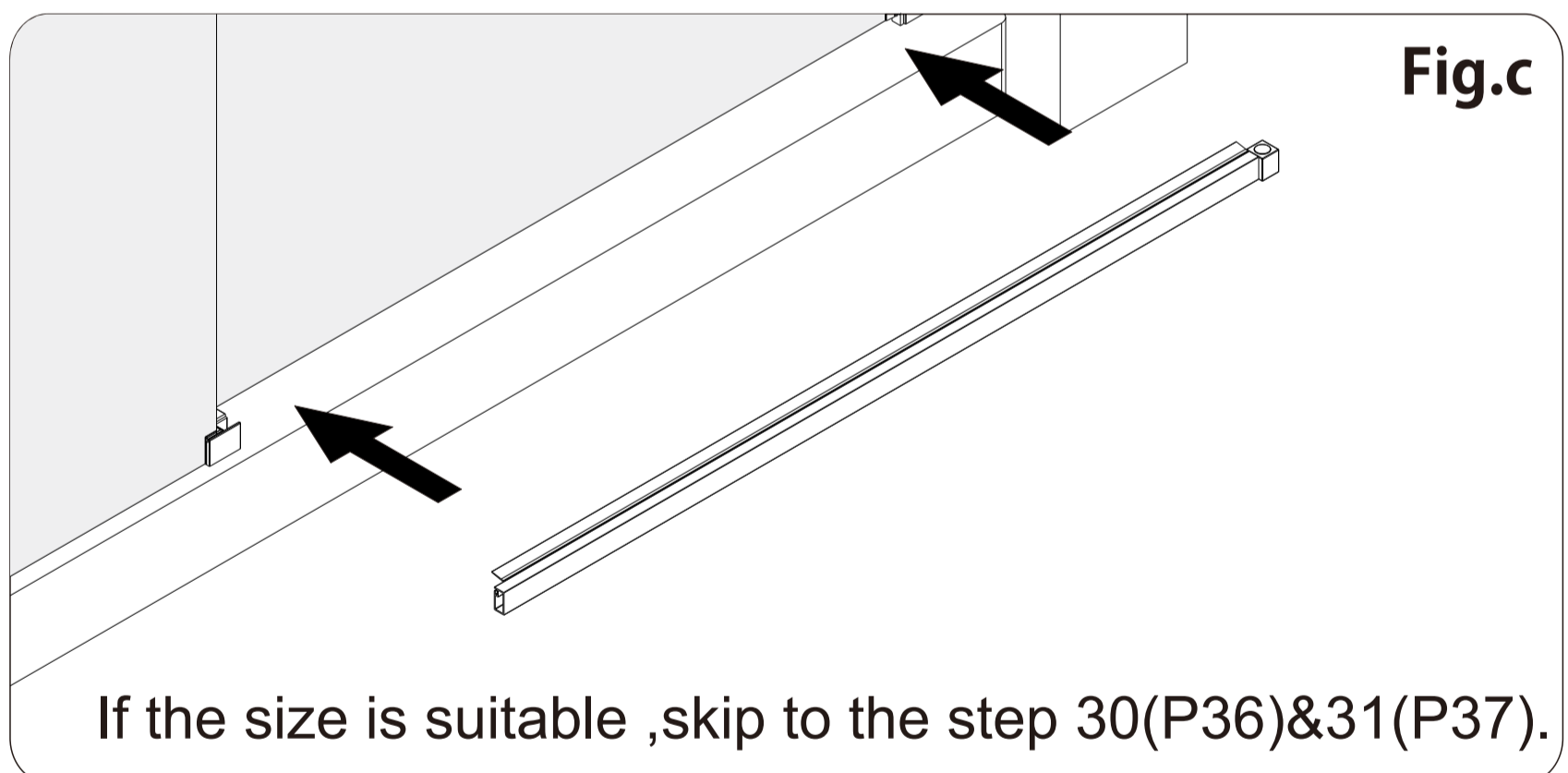
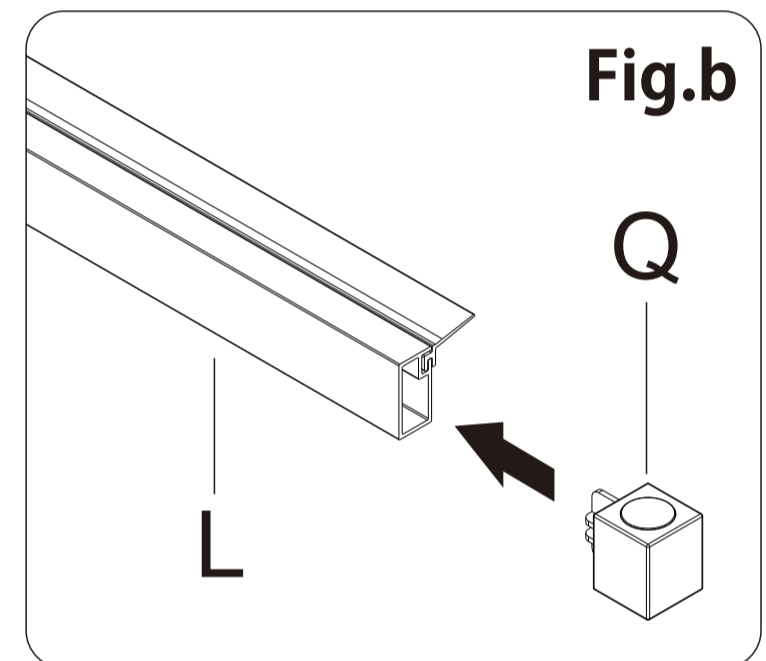
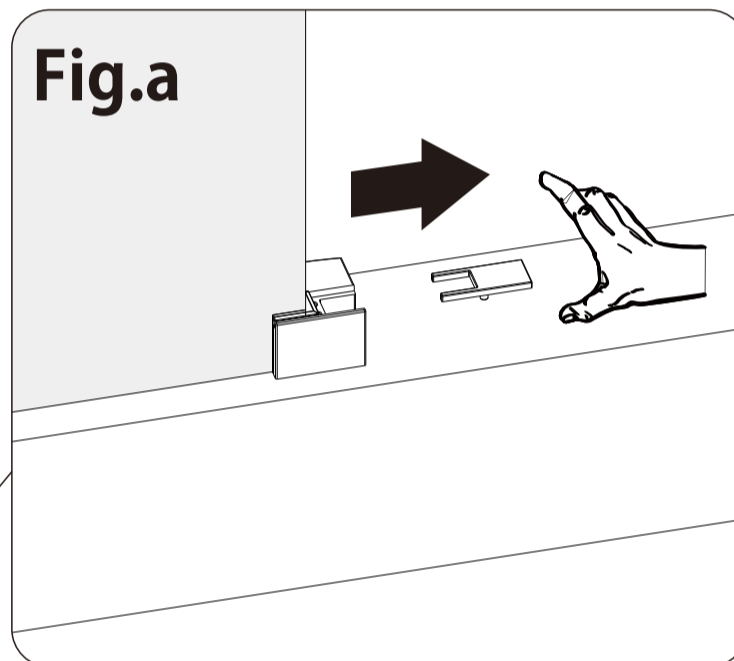
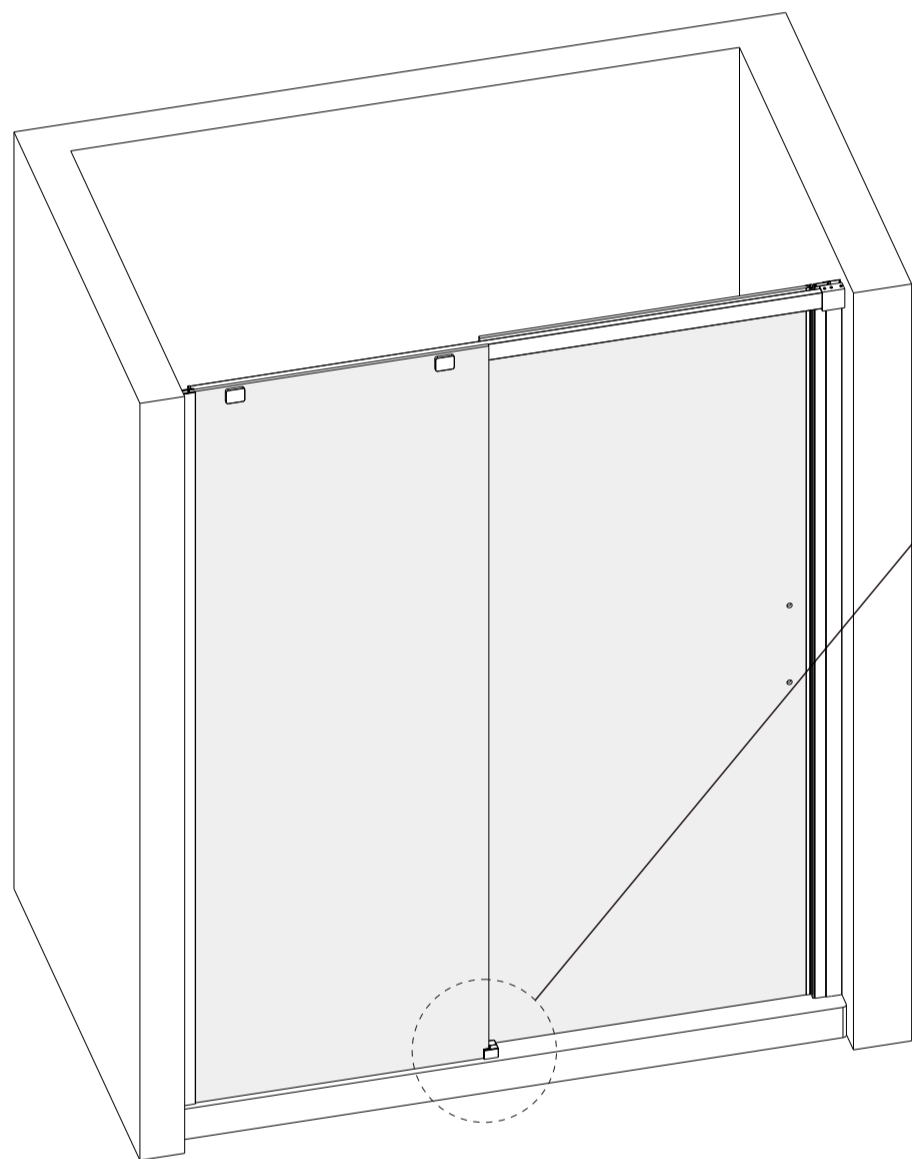
Fig.b



28 Adjust **Alu.Threshold(L)**

NOTE

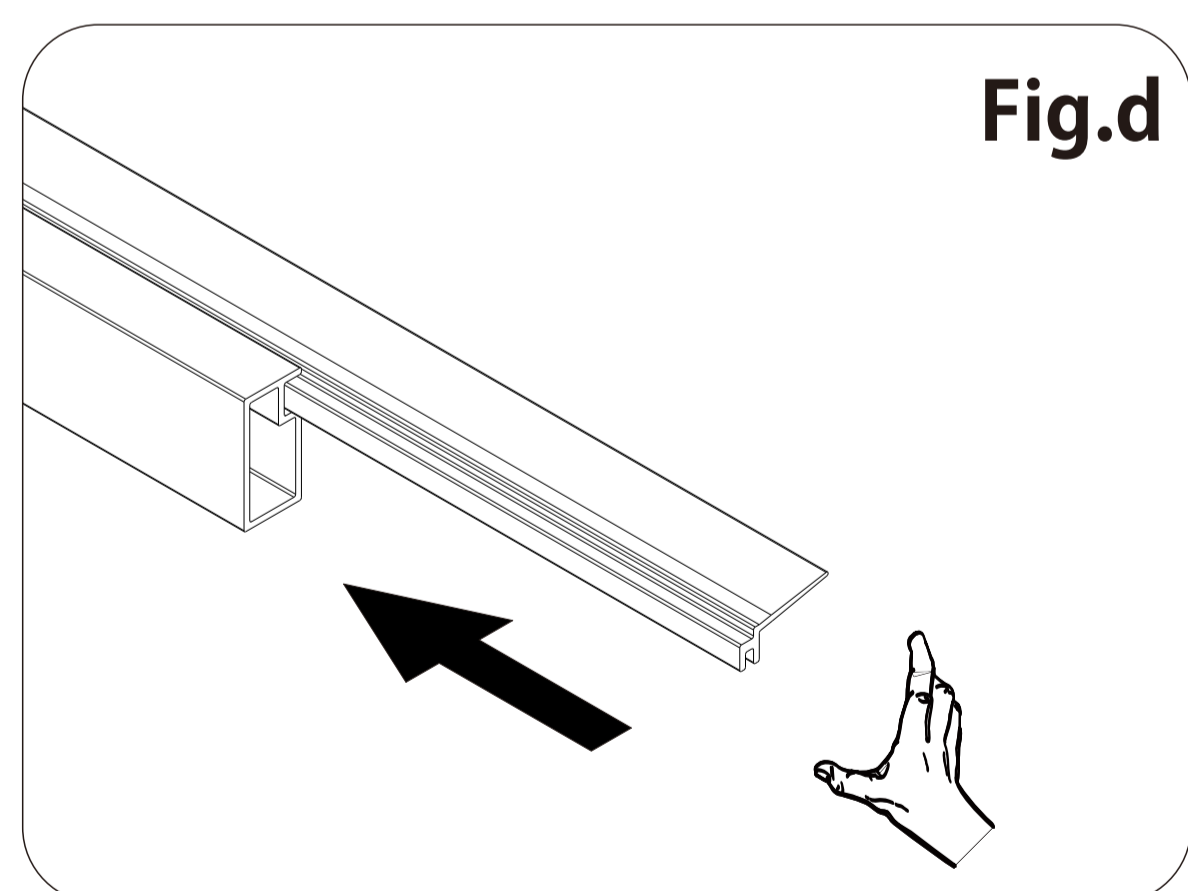
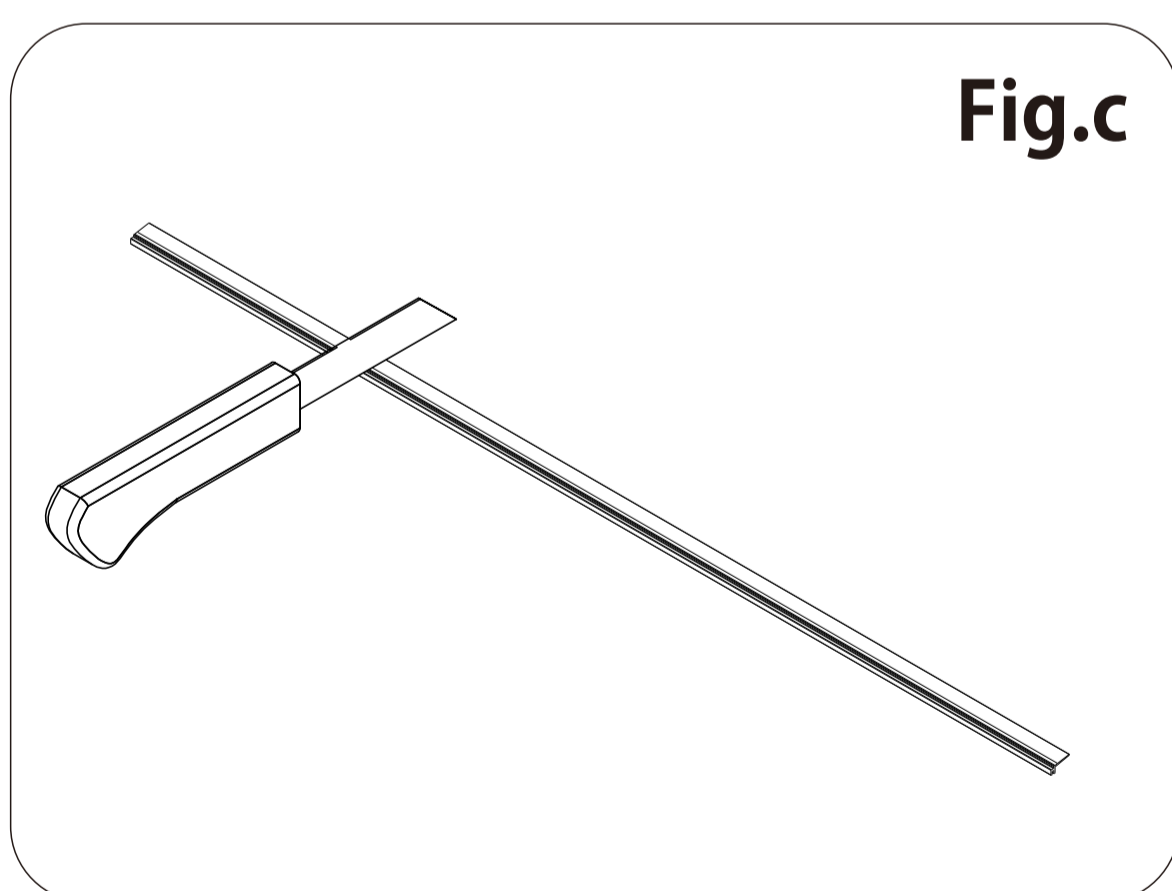
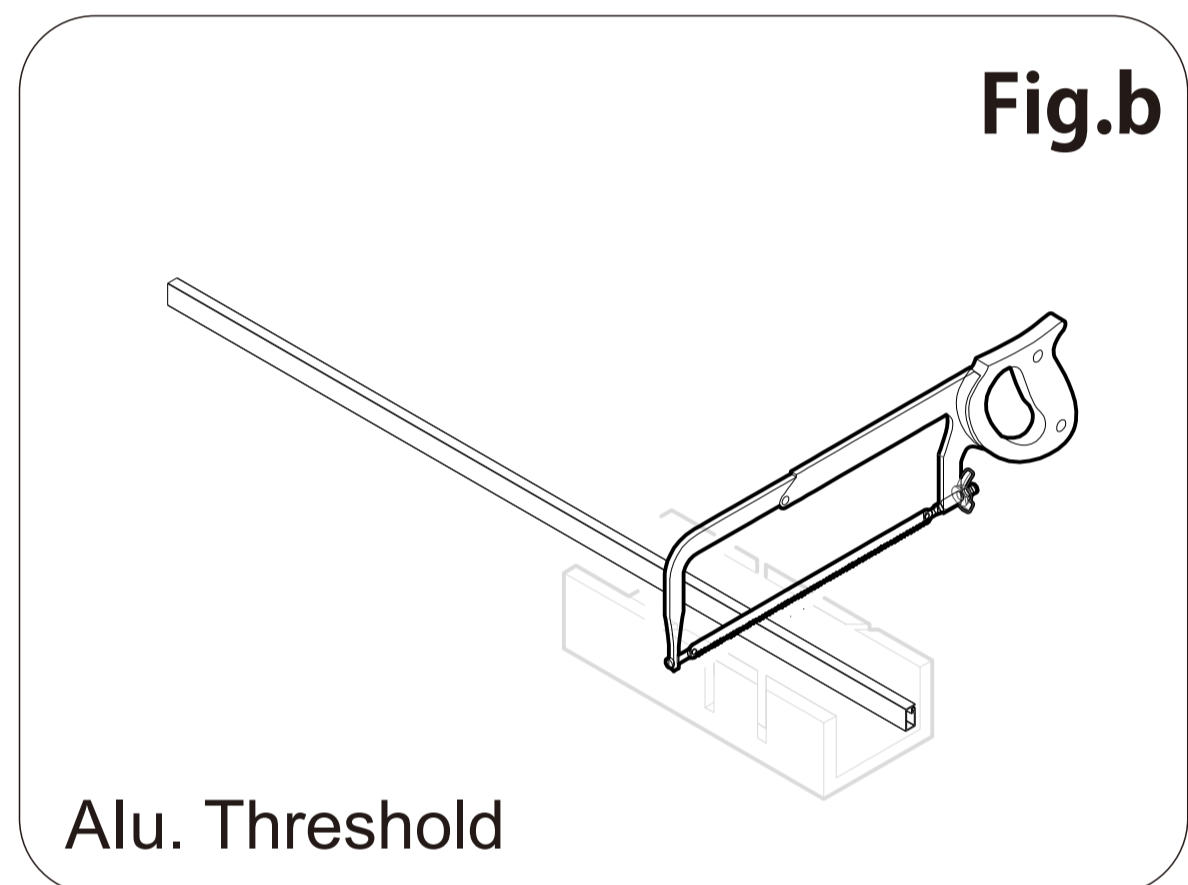
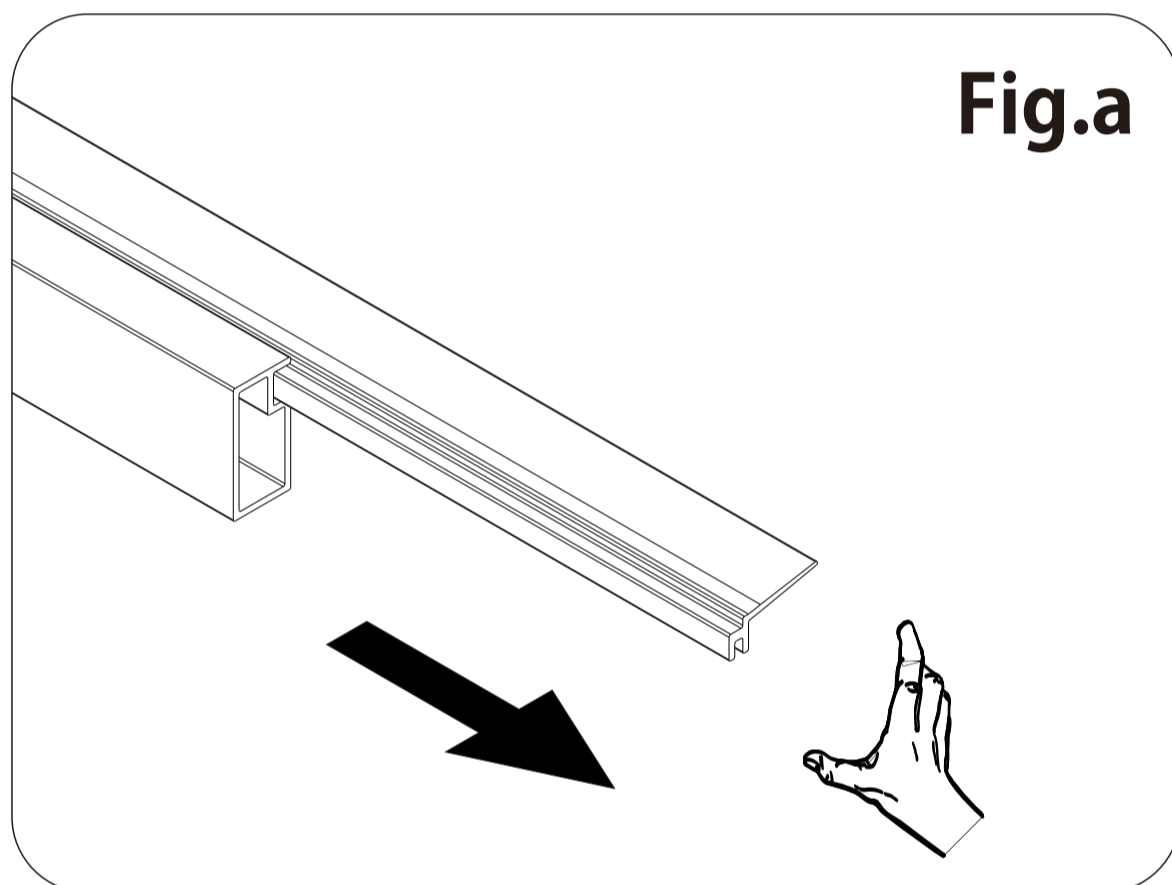
1. Take out of the cover cap from the **Guide Block(F)** as Fig.a .
2. Install the **End Block(Q)** into the **Alu Threshold(L)** as Fig.b .
3. Put it on the tray and adjust it, if the size is not suitable, skip 29(P35).
If the size is suitable ,skip to the step 30(P36) &31(P37) as Fig.c .



29 Cut the **Alu Threshold(L)** and bottom seal

NOTE

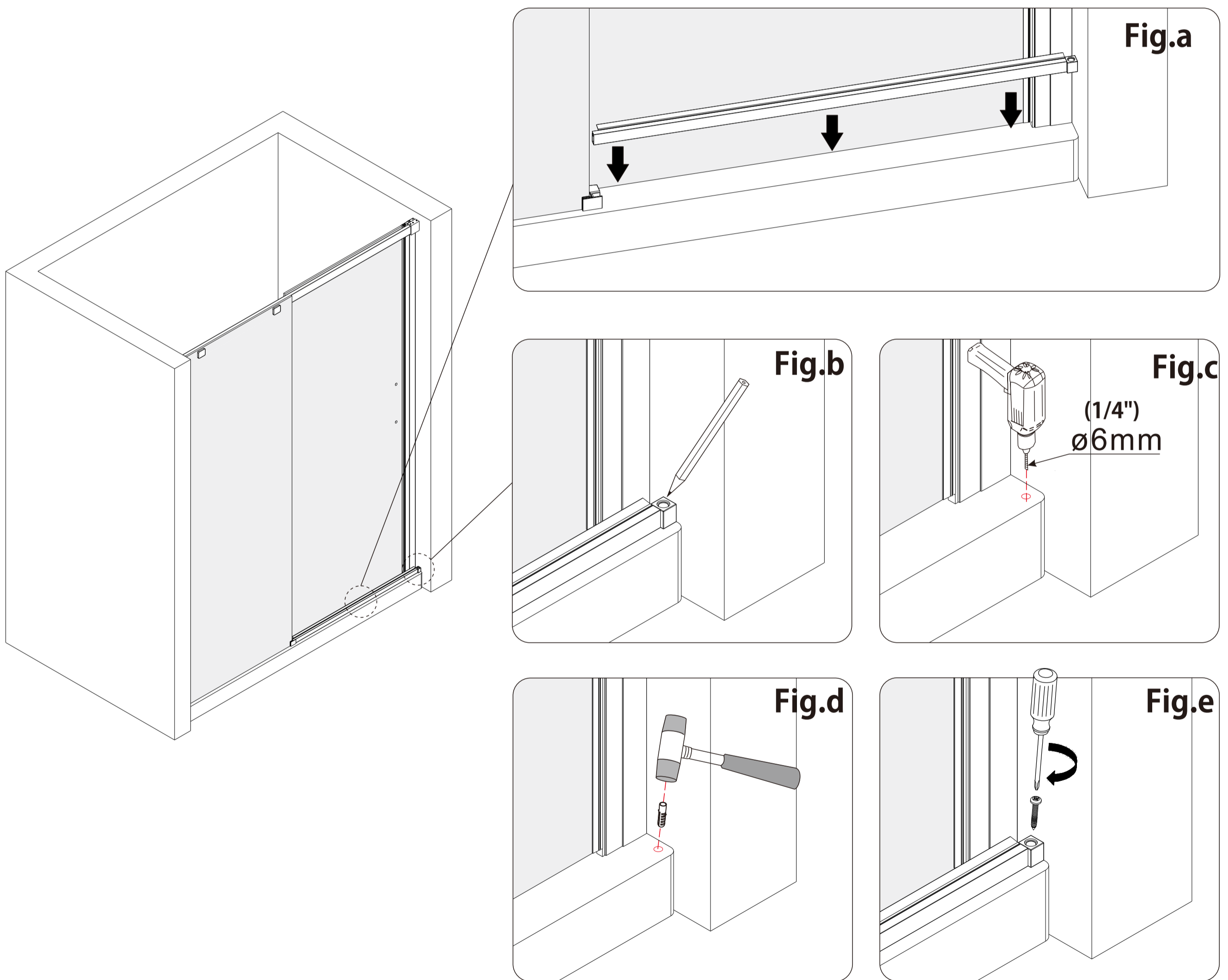
1. Take out of the bottom seal from the **Alu Threshold(L)** as Fig.a .
2. Cut the **Alu Threshold(L)** into the suitable size as Fig.b .
3. Cut the bottom seal into the suitable size as Fig.c .
4. put the bottom seal back to the alu threshold as Fig.d .



30 Install the **Alu Threshold(L)**

NOTE

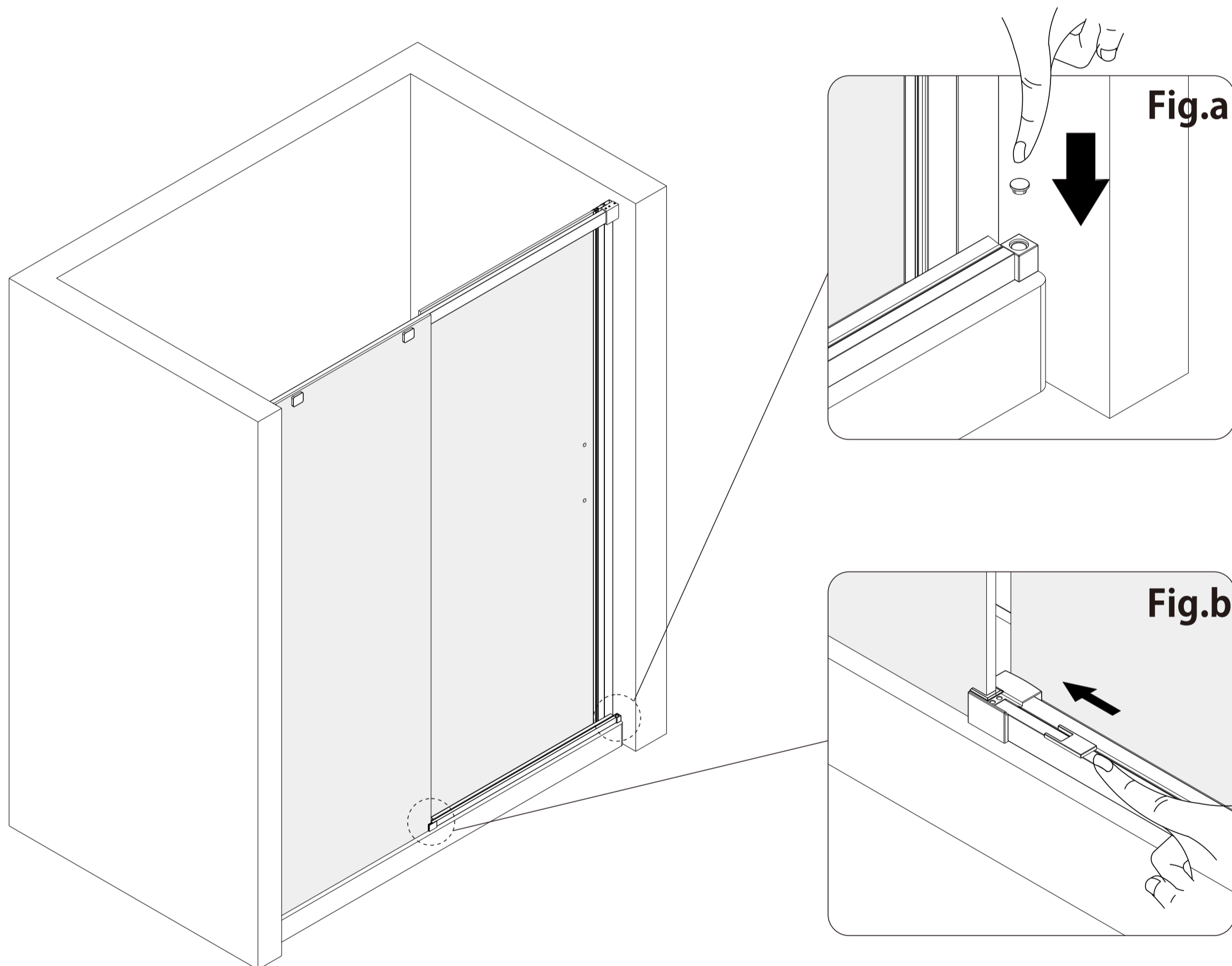
1. Place the **Alu Threshold(L)** into the suitable position as Fig.a .
2. Mark a fixing point on the hole of **End Block(Q)** as Fig.b .
3. Drill hole on the marking point as Fig.b .
4. Insert the **Wall Anchor(aa)** as Fig.c .
5. Fasten the **End Block(Q)** with the **Screw(cc)** as Fig.e .



31 Install the cover caps for the **Guide Block(F)** and **End Block(Q)**

NOTE

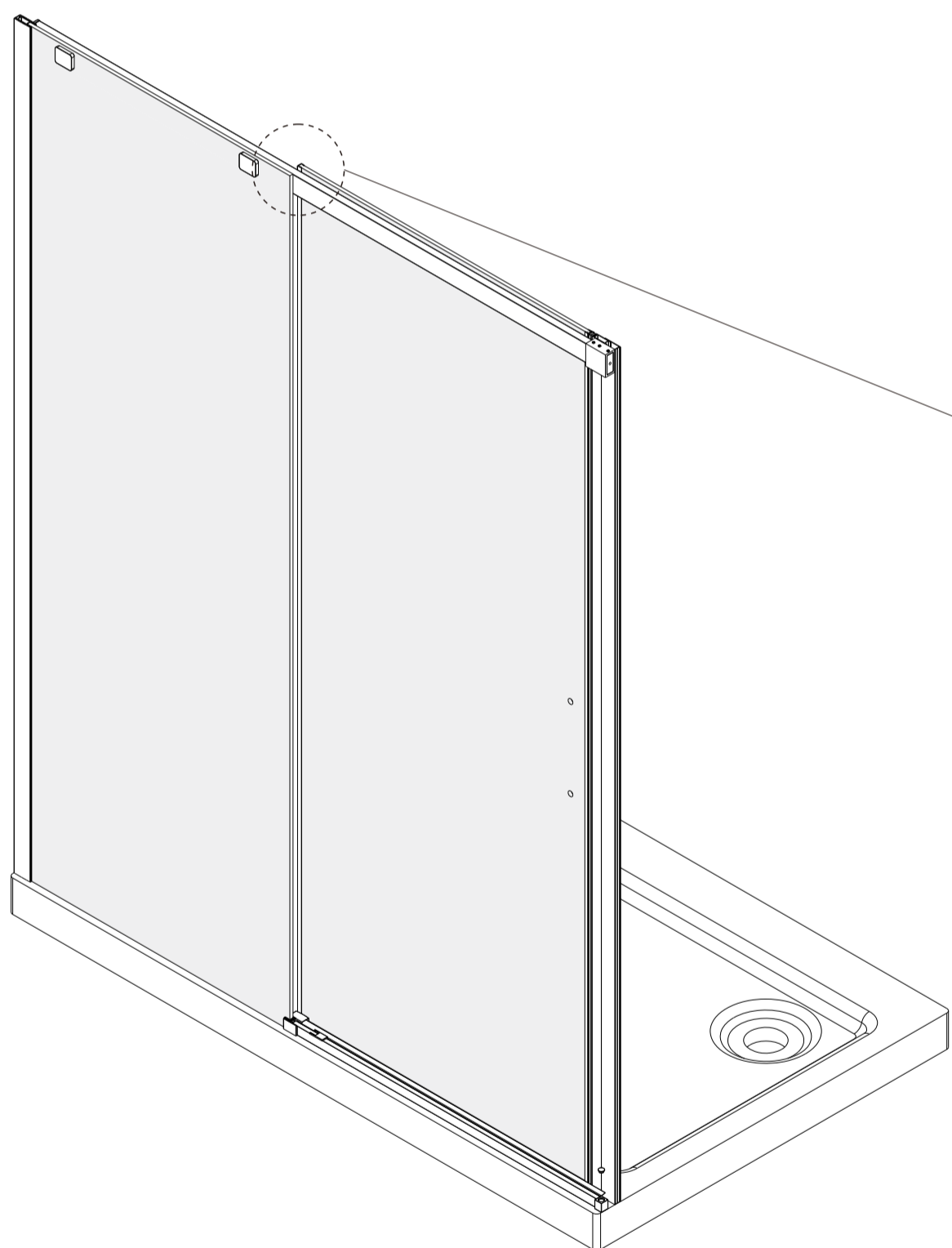
1. Fit the cover cap for the **End Block(Q)** as Fig.a .
2. Fit the cover cap for the **Guide Block(F)** as Fig.b



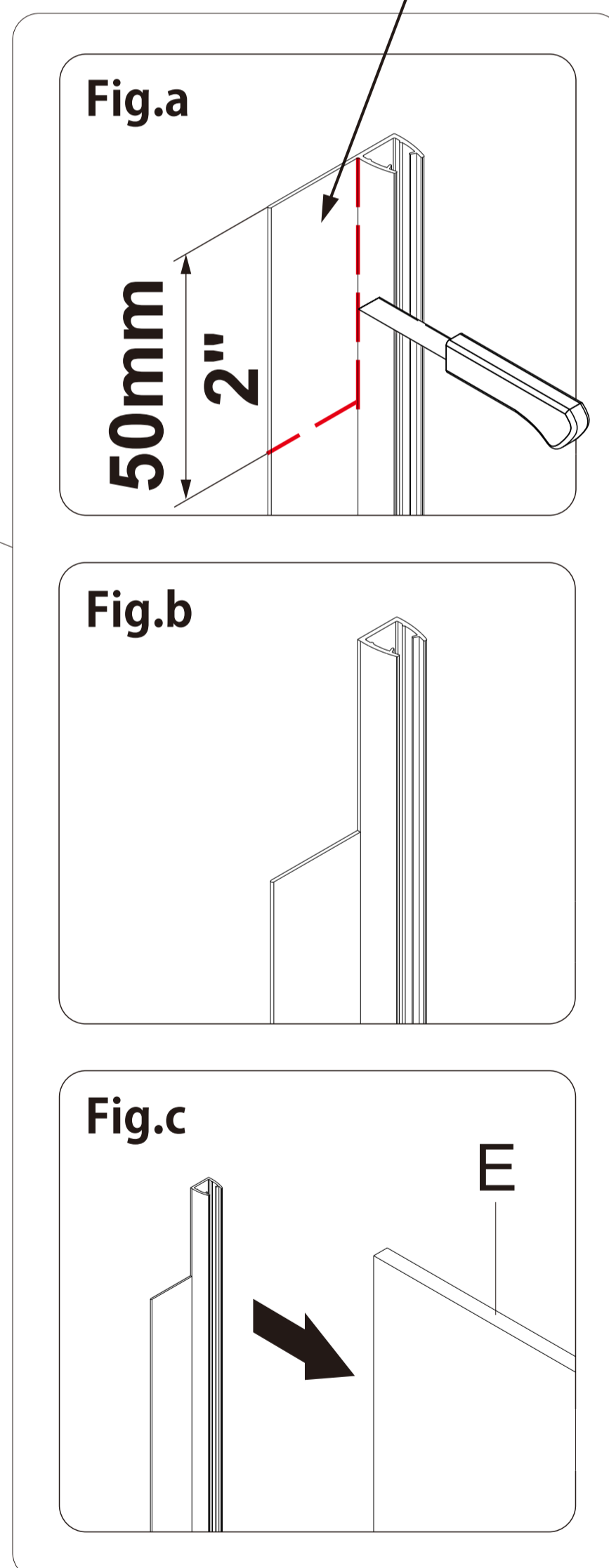
32 Install the **Anti-Water Strip(C)**

NOTE

1. Cut the fin of the **Anti-Water Strip(C)** into the suitable size as Fig.a and Fig.b .
2. Install it to the **Glass Door(E)** as Fig.c



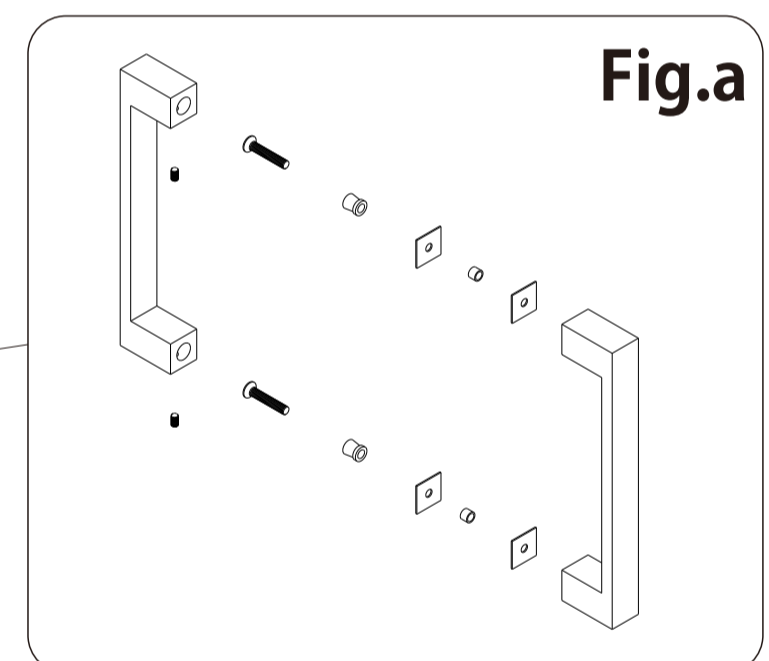
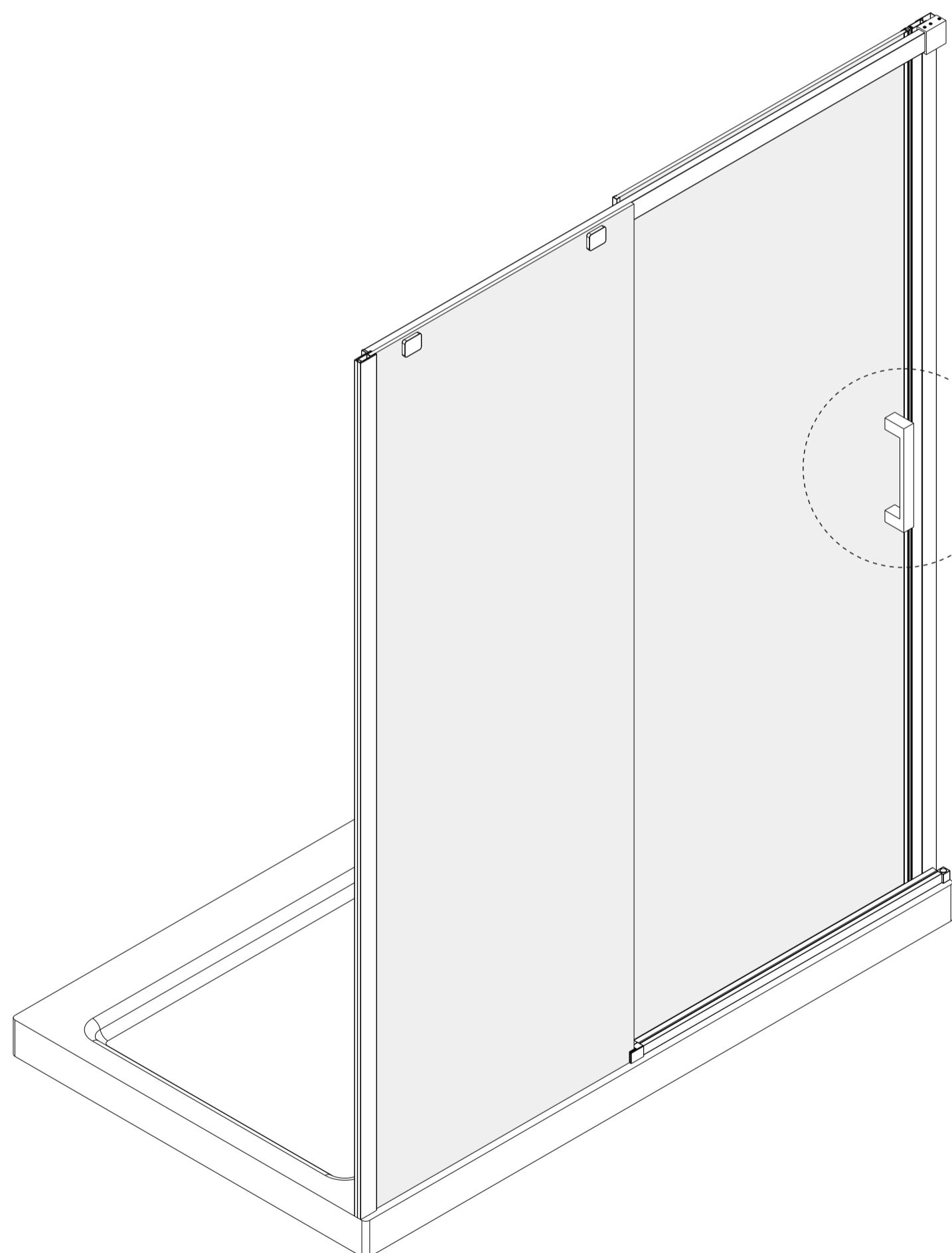
Cut according to the mounting direction



33 Install **Handle(M)**

NOTE

Install **Handle(M)** to the **Glass Door(E)** as Fig.a .



34 SEALING

NOTE The surfaces need to be clean and free of debris before applying silicone.

NOTE Make sure that the Shower door closes tightly and opens smoothly. Apply a good quality silicone sealant along the **Wall Jamb(A)** and **Alu. Threshold(L)**.

! Allow 24 hours for the silicone to cure before using the shower.

