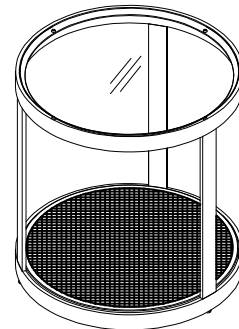


ASSEMBLY INSTRUCTIONS

090-1048

TOOLS REQUIRED:

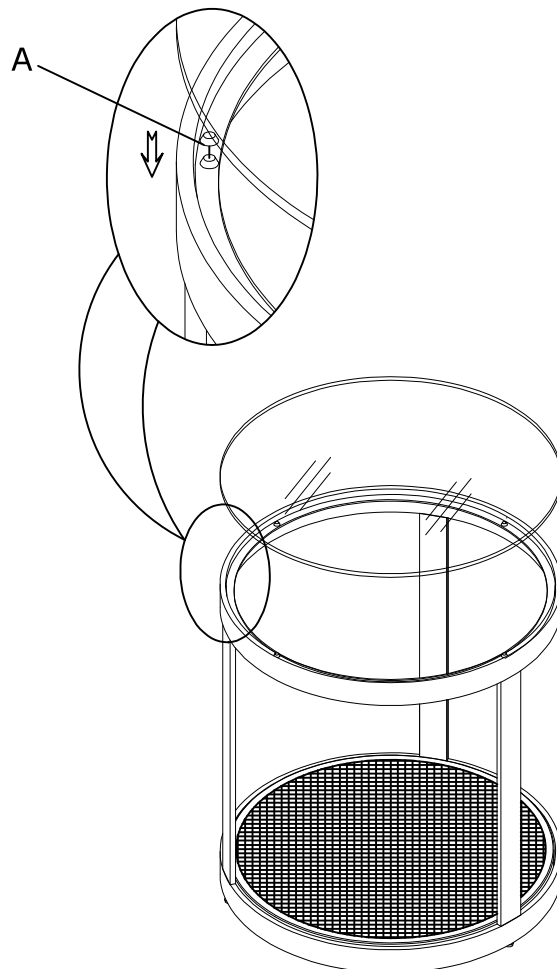
Provided, part # A



BEFORE YOU START:


1. Check the parts against the parts list to make sure all items are present.
2. Assemble your furniture on a soft, flat surface to avoid scratching the finish.
3. **CAUTION:** Do not over tighten screws, nuts or bolts during assembly.
4. Your furniture may require occasional tightening.

Fig.1



INSTRUCTIONS :

1. Attach the Glass Bumper (A) to the top frame as shown in Figure 1
2. Set the glass top into the table frame care fully.

No.	Hardware List		Q'ty
A		Glass Pad	4pcs