








Installation Instructions







1. Parts Included



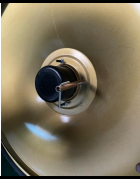

			
Base	Pump Cover	Pump	Step Pedal
			
Backrest	Footrest	Seat	Nuts & Tools
			
Seat Cushion		Foot Support * 2	


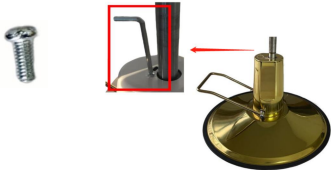
2. Installation Instruction

Step 1. Install the pump to the Base

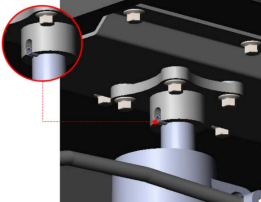
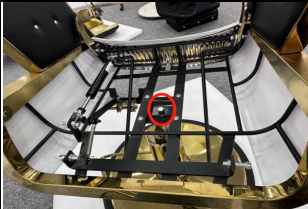
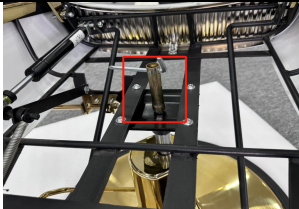

Parts you will need for this step.

			
Base	Pump Cover	Pump	Step Pedal & Screws

			
1-1. Align the 4 screw holes on the pump and the base, and insert the pump into the base.	1-2. Put the long end of the wrench through the sleeve.	1-3. Tighten the 4 nuts with the tool to secure the base and pump. (Make sure the screws are tightened to avoid wobbly of the chair)	1-4. Insert the step pedal into the pump, and tight the screws on both sides of the pump.






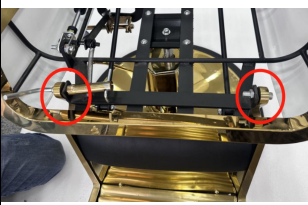

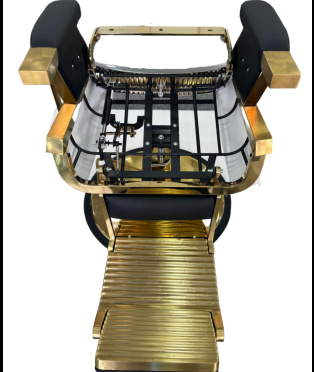
	
1-5. Put on the pump cover to the pump.	1-6. Align the cover with the screw hole of the pump, use the "cross" end of the wrench to tighten the screws to secure the cover.

Step 2. Install the Seat to the Pump

			
<p>2-1. Place the seat onto the pump (please note the pinon the pump toward the gap of the pump joint).</p>	<p>2-2. Insert the screw into the screw hole of the seat.</p>	<p>2-3. Tighten the screw to secure the seat and pump.</p>	


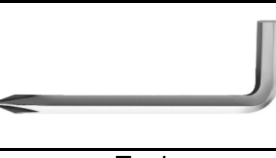
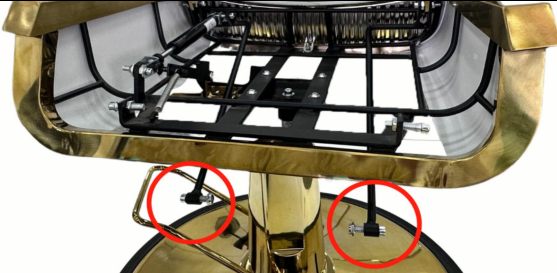
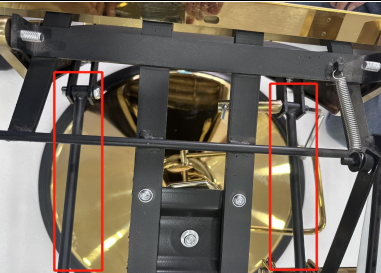
Step 3. Install the Footrest

Parts you will need for this step.

			
<p>Footrest</p>	<p>Tools</p>	<p>Chair</p>	<p>Foot Support * 2</p>
			
<p>3-1. Remove the screws pre-installed on both sides of the footrest.</p>	<p>3-2. Align the screw holes of the footrest and the seat, insert the 2 screws, and then tighten the nuts with the tools.</p>	<p>3-3. Tighten the 2 foot supports to the bottom of the footrest.</p>	

Step 4. Install the Footrest Connector


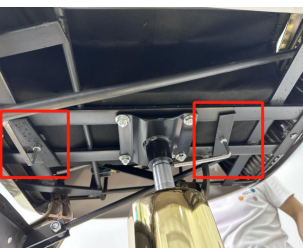

Parts you will need for this step.

			
<p>Tool</p>	<p>Tool</p>		
			
<p>4-1. Remove the screws and nuts pre-installed on both sides of the footrest connector as shown in the picture.</p>	<p>4.2 Align the screw holes of the connector and the footrest, insert the screws removed from the previous step, and then tighten the nuts with the tools.</p>		

Step 5. Install the Seat Cushion to the Seat




Parts you will need for this step.


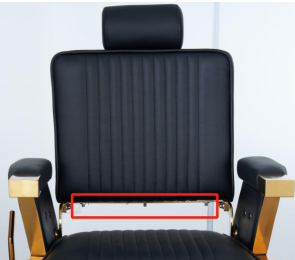
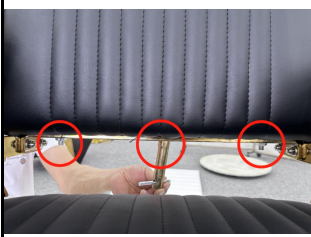

	
Seat Cushion	Tool

		
5-1. Remove the screws and the black baffles pre-installed on the seat.	5-2. Put the seat cushion on the seat, put on the baffles and insert the screws, and tighten the screws with the tool.	

Step 6. Install the Backrest to the Seat

Parts you will need for this step.

		
Back Rest	Screws	Tool

			
6-1. Remove the 3 nuts pre-installed on the back rest.	6-2. Align the screw holes of the back rest and the seat, insert the back rest to the seat.	6.3 Tighten the nuts remove from the previous step with the tool.	
			6-4. Sit on the chair for a while to make the seat more firmly connected with the pump and avoid the chair being wobbly.

Please feel free to contact us if there are any problems with installation or items. We will reply to you within 24 hours.