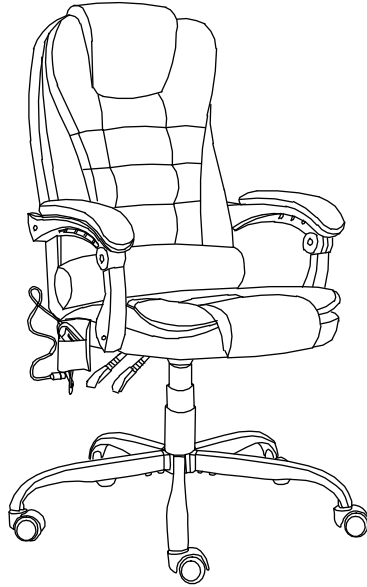



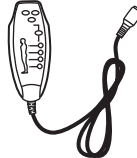
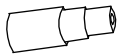


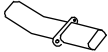
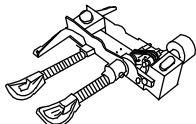
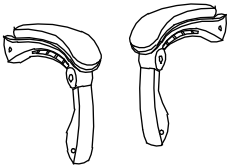
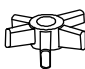



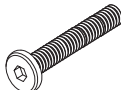





Massage Chair Assembly Instructions

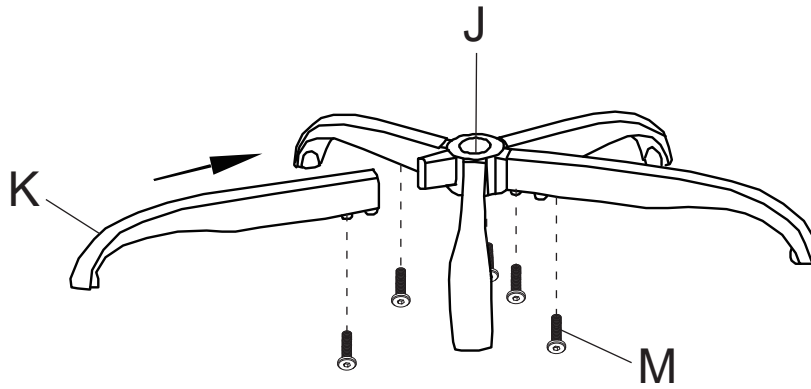


Parts List

<p>A.</p>  <p>1PC</p>	<p>B.</p>  <p>1PC</p>	<p>C.</p>  <p>1PC</p>	<p>D.</p>  <p>1PC</p>		
<p>E.</p>  <p>1PC</p>	<p>F.</p>  <p>1PC</p>	<p>G.</p>  <p>5PCS</p>	<p>H.</p>  <p>1PC</p>		
<p>R.</p>  <p>1PC</p>	<p>I.</p>  <p>2PCS</p>	<p>J.</p>  <p>1PC</p>	<p>K.</p>  <p>5PCS</p>		
<p>L.</p>  <p>M6*20 4PCS</p>	<p>M.</p>  <p>M6*12 12PCS</p>	<p>N.</p>  <p>M8*40 4PCS</p>	<p>O.</p>  <p>M8 4PCS</p>	<p>P.</p>  <p>4PCS</p>	<p>Q.</p>  <p>1PC</p>

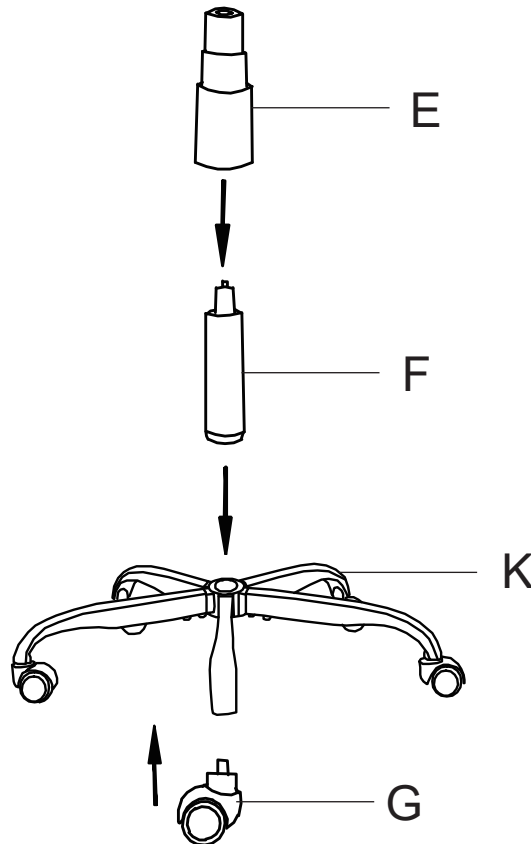
STEP1

Use 5 screws (M) to connect K and J.



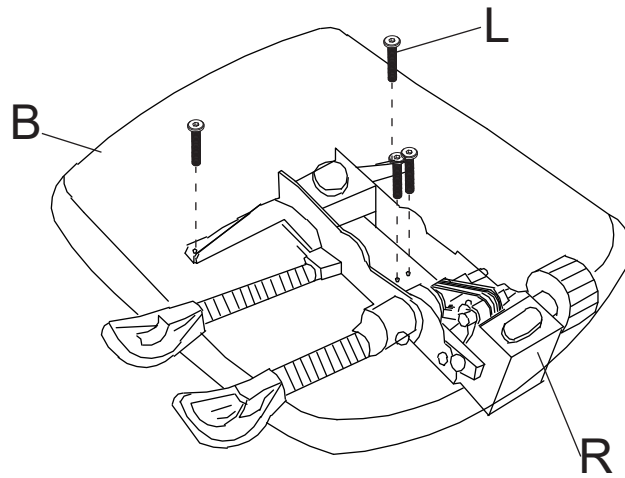
STEP2

Install 5 PCS G to K, and install E, F to K.



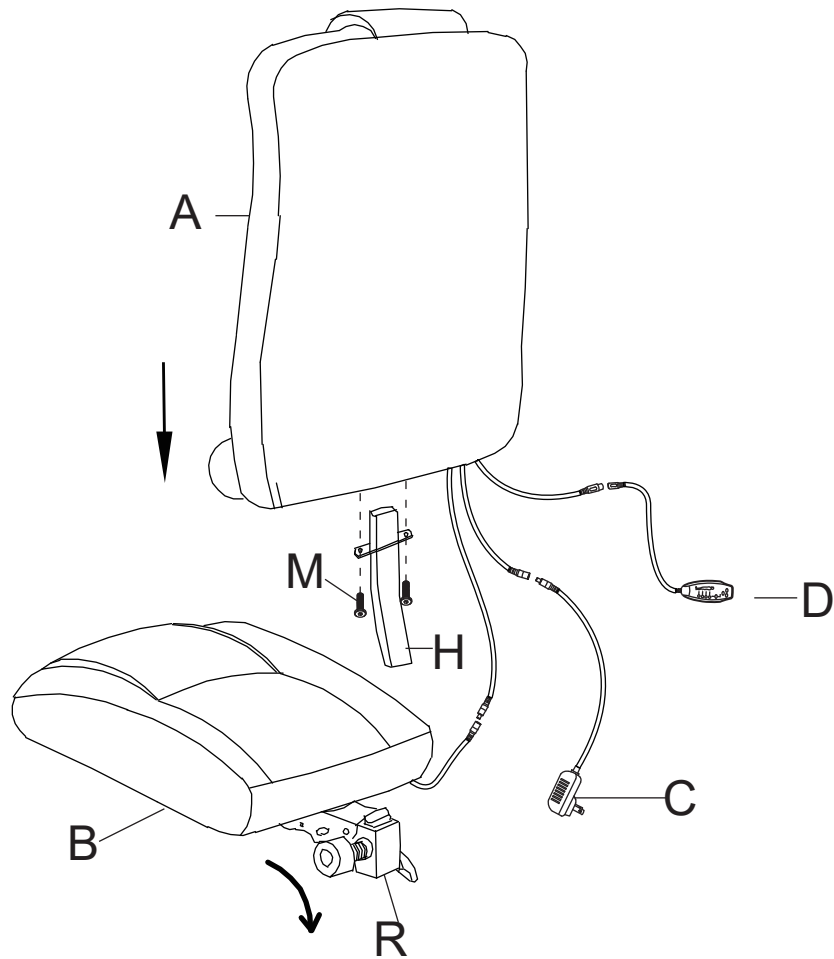
STEP3

Use 4 screws L to fix the R part on the back of seat cushion B.



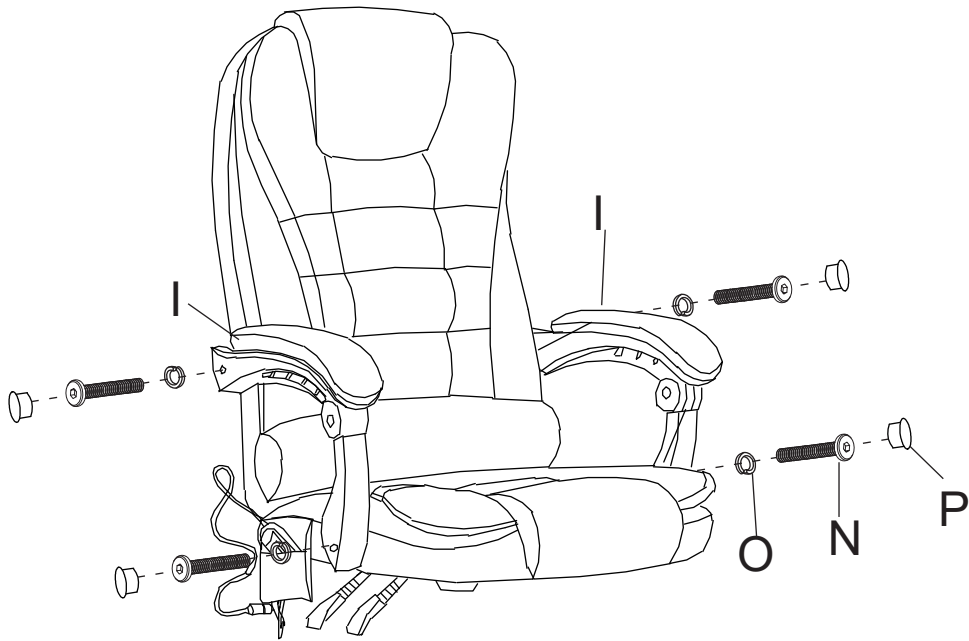
STEP4

Use 2 screws M to connect A and B through connecting rod H.



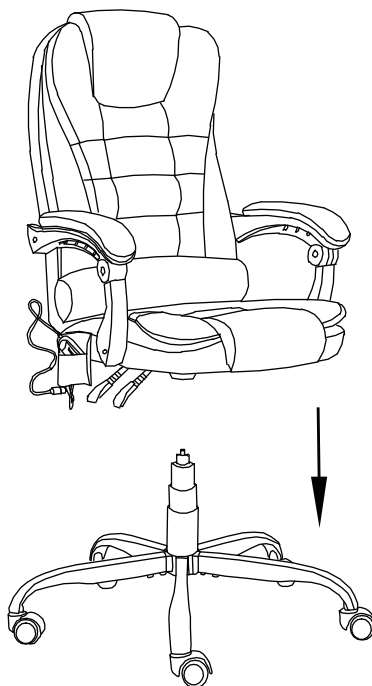
STEP5

Use P, N, O to connect the armrest I.



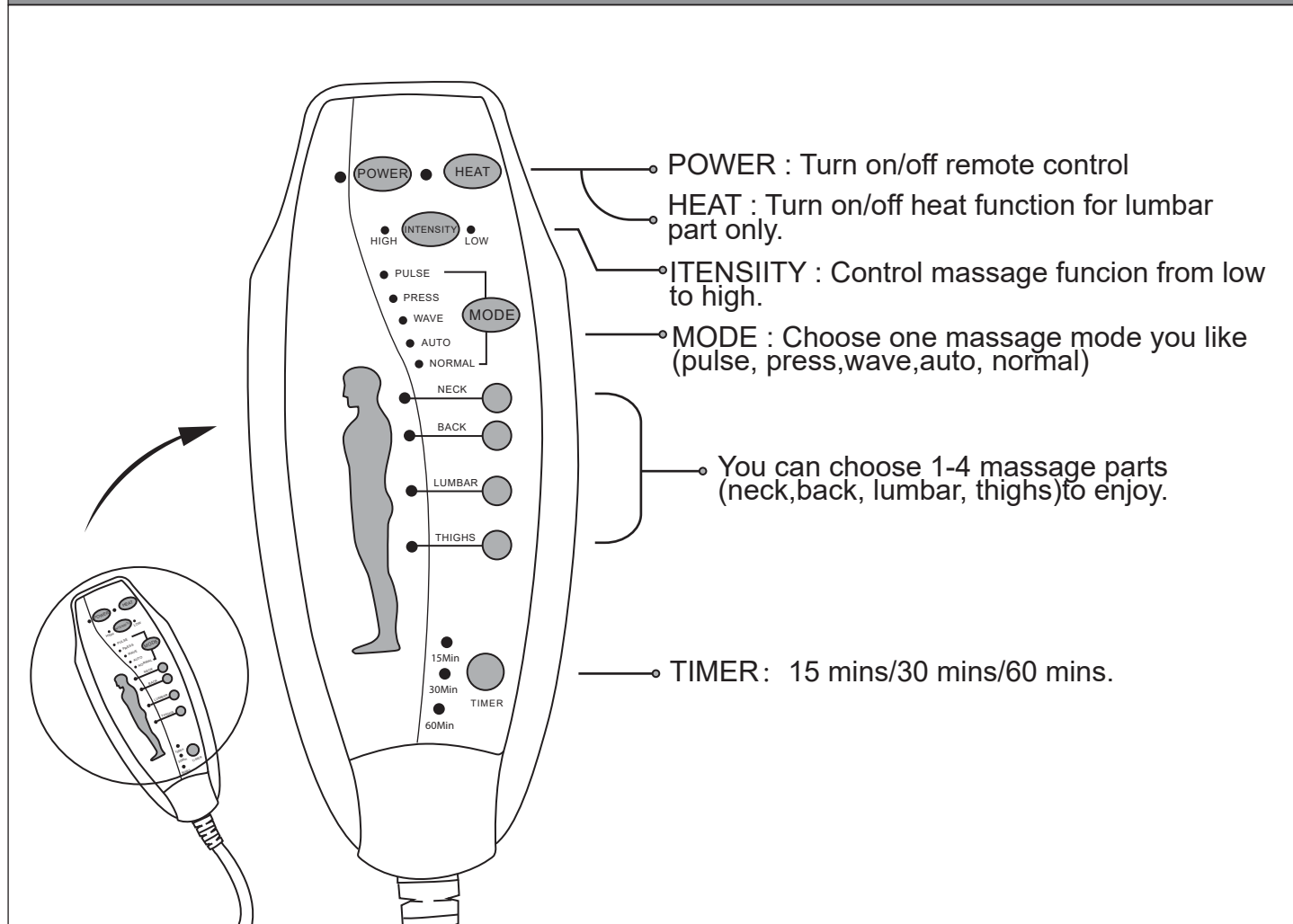
STEP6

Connect the 2 parts installed, the installation is complete.



READ ALL INSTRUCTIONS BEFORE USING THE ITEM

Remote Control



Attention

1. If there's any parts missing, please feel free to contact us. We will offer a solution for you.
2. If there is any damage, please send clear photos about damaged part to us as attachment, we will check and offer you best solution soon.
3. We are concerned about each customer's experience, if there is any loss or damage, please contact us at any time, we will provide effective solutions.