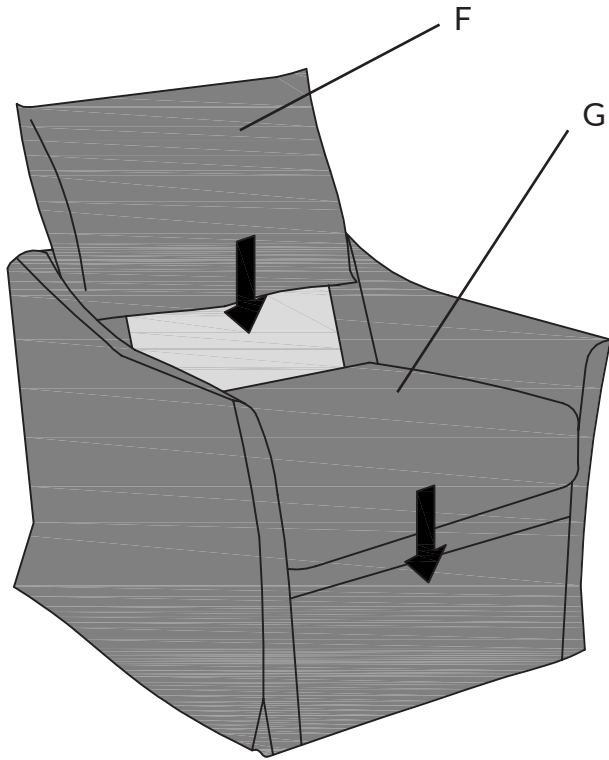
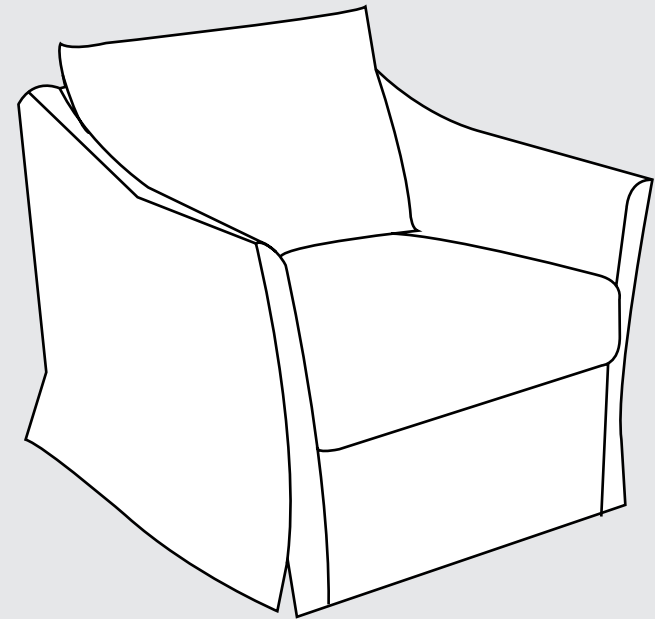


9 Place Seat Cushion (G) and Back Cushion (F) onto assembled Chair Frame.
Enjoy your new chair.

Model: _____
Lot No: _____
Date of Purchase: _____



CHAIR



ADULT ASSEMBLY REQUIRED

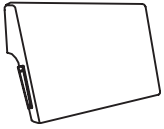
If you are missing any parts or have any questions regarding assembly, do not return this item to the retailers store. Please call our toll-free, customer service number and have this assembly manual open to the parts list ready to provide the model name, number and part name or number.



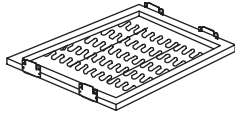
WARNING: This product may contain small components, please ensure they are kept away from small children.

PARTS AND HARDWARE

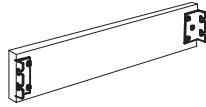
Avoid using sharp objects such as a knife to cut open packing as you may accidentally damage the upholstery.



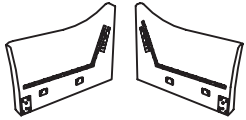
A. Backrest
1x



B. Seat Deck
1x



C. Front Panel
1x



D. Arms
2x



E. Legs
4x

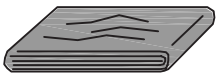


F. Back Cushion
1x

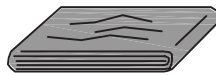


G. Seat Cushion
1x

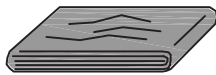
ALL COVERS SHIPPED IN SEPARATE BOX FROM FRAME



H. Chair Frame Cover
1x

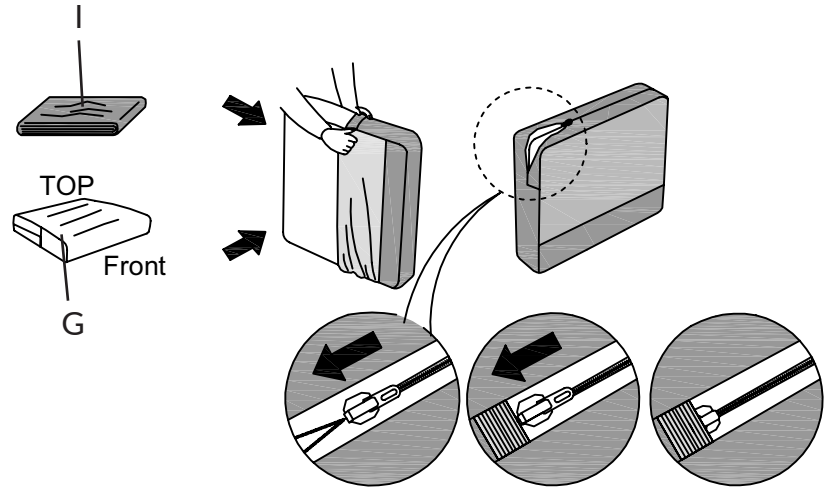


I. Seat Cushion Cover
1x

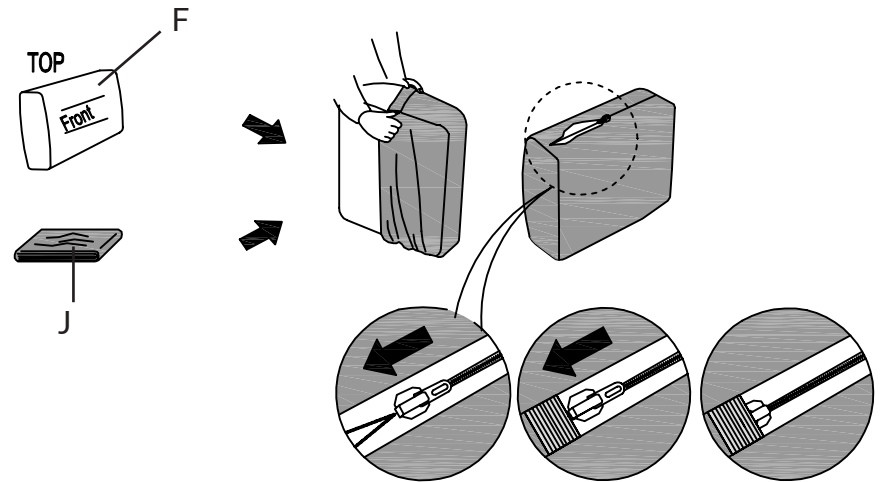


J. Back Cushion Cover
1x

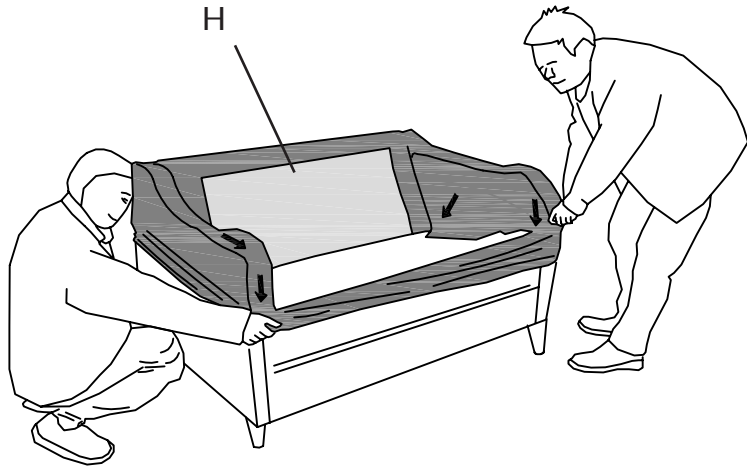
7 Insert Seat Cushion (G) into Seat Cushion Cover (I).
Use care to make sure cover fits snugly inside.



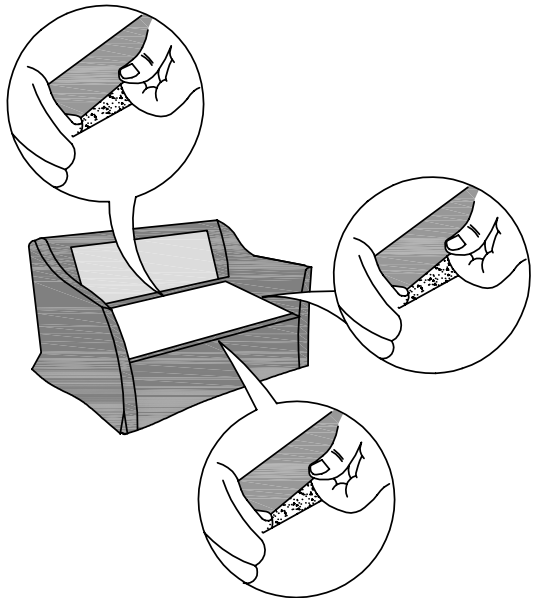
8 Insert Back Cushion (F) into Back Cushion Cover (J).
Use care to make sure cover fits snugly inside.



- 5** Attach the Chair Frame Cover (H) to the Chair Frame Assembly. The Cover Attaches to the frame using Velcro. Two People May Be Needed to Attach Cover Neatly.



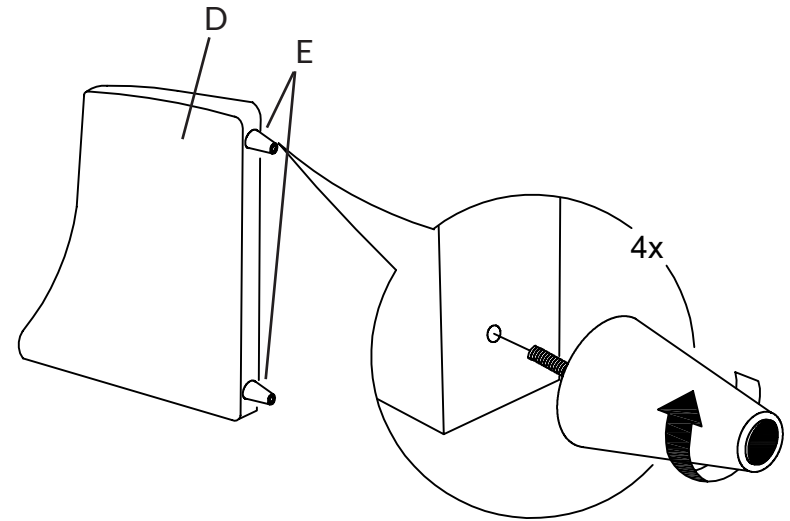
- 6** Clean up the Backrest cover, gentle smooth out any wrinkles and re-attaching velcro for a nice, fit finish.



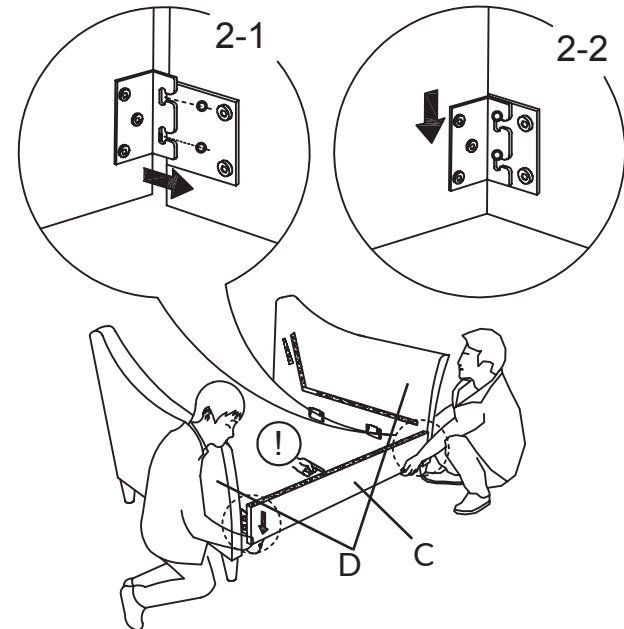
ASSEMBLY INSTRUCTIONS

Do not fully tighten bolts until assembly is complete.

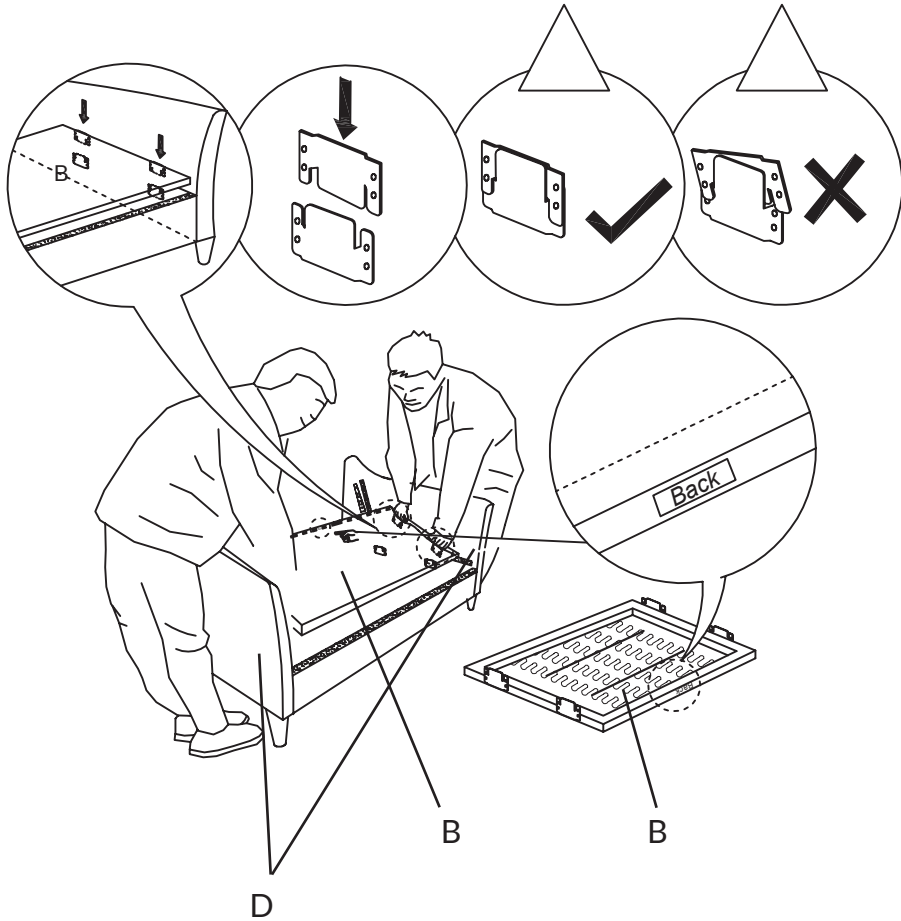
- 1** Attach Legs (E) to Arms (D) by hand turning threaded post into insert nut.



- 2** Attach Front Panel (C) to Arms (D) by slipping the bracket opening over the fixed post. Press down to click into place.



- 3** Attach the Seat Deck (B) to the Arms (D) by placing the two metal brackets on the Seat Deck (B) over the metal brackets on each Arm (D). The Seat Deck (B) will lock into place.



- 4** Attach the Backrest (A) to the Arms (D) by sliding the brackets on the Backrest (A) into the glides on the Arms (D).

