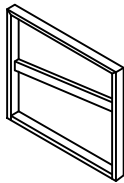
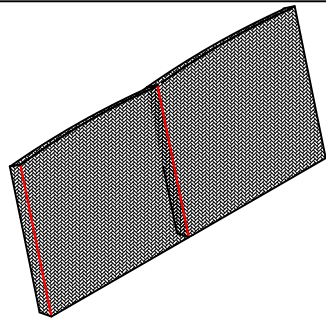


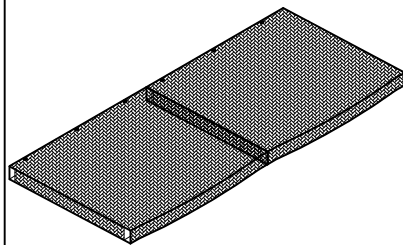
DOUBLE SOFA



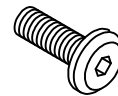
A*2PCS



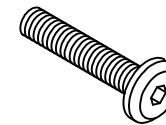
B*1PCS



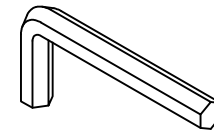
C*1PCS



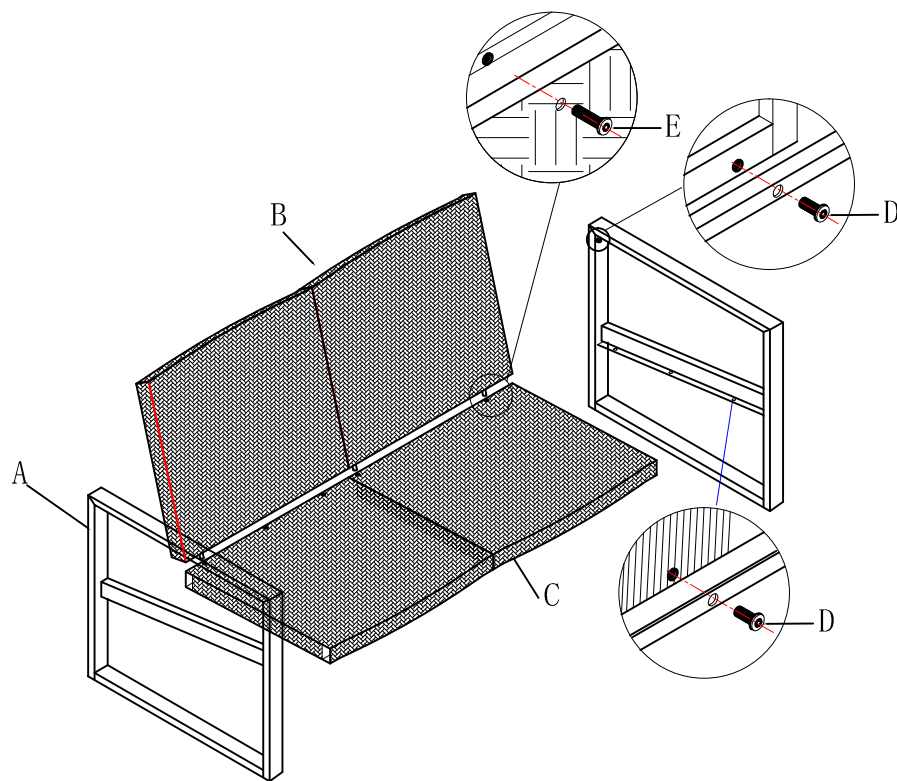
D:M6*20*8PCS



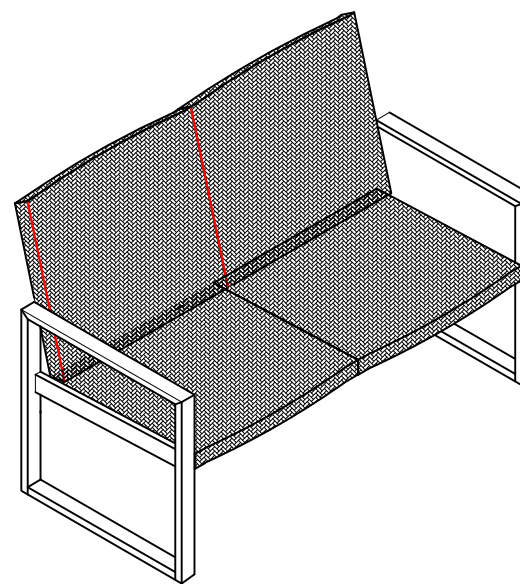
E:M6*60*3PCS



F:4MM*1PCS



1



2