

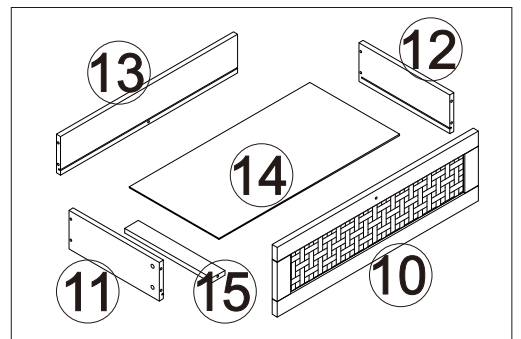
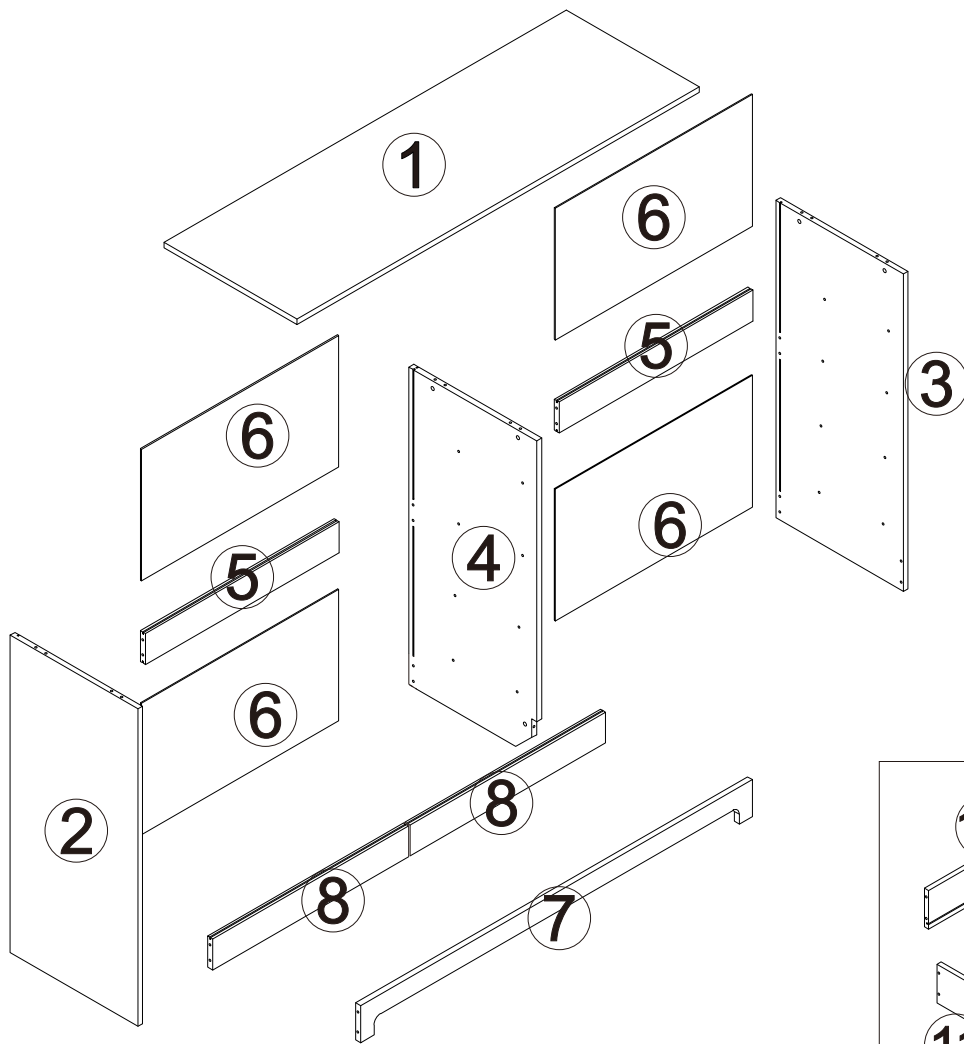
Attention please :

**Improper use of screws may cause the product surface damage!
Please be careful when installing.**

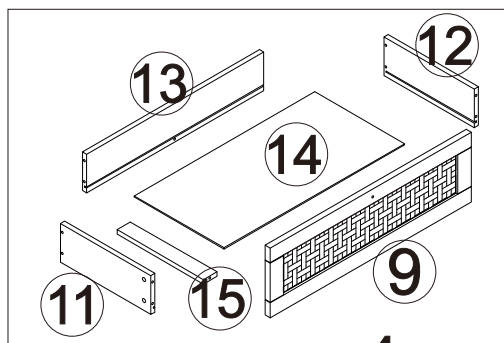
To prevent you from confusing the accessories and boards, Please do not mix the parts of different units when you buy two or more products at the same time.

READ AND SAVE THIS INSTRUCTIONS FOR FUTURE USE


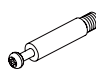
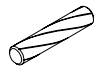

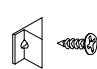
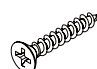


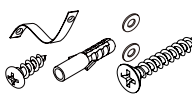



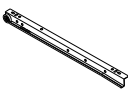
ASSEMBLY & INSTRUCTION MANUAL



x4

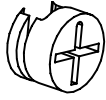


x4

					
Ax67	Bx67	Cx6	Dx64	Ex16	Fx40
					
Gx8	Hx8	Ix2	CLx8	CRx8	DLx8
					
DRx8					

How to use furniture connector cam lock screw and fitting?

Eccentric wheel(A)

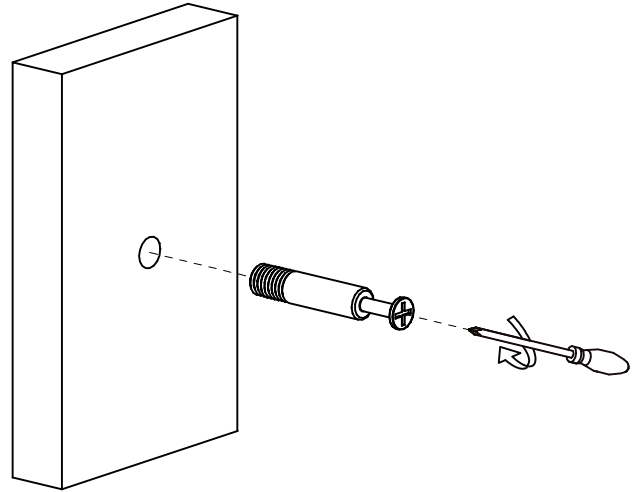


Dowel(B)



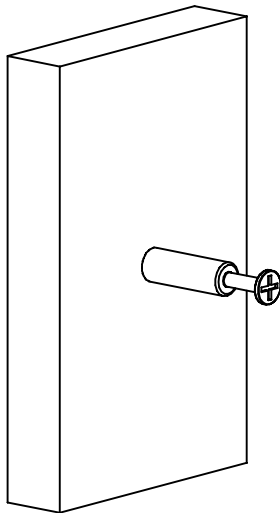
1

Use screwdriver to attach
dowel into pre-inserted nut



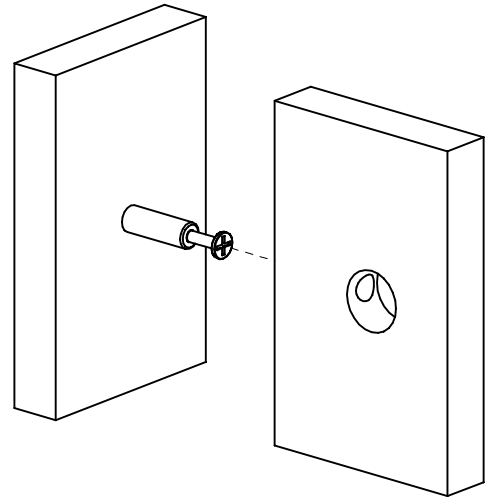
2

Step 1 completed



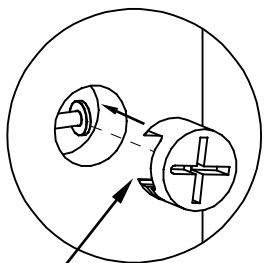
3

Attach dowel into hole on fitting board

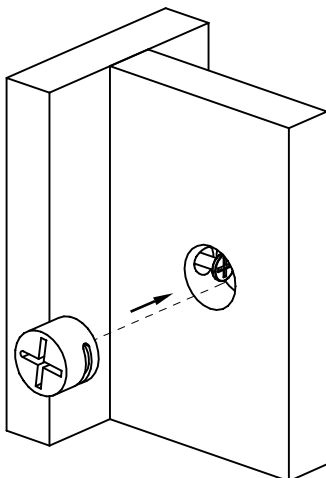


4

Put eccentric wheel (cam lock fitting) into hole

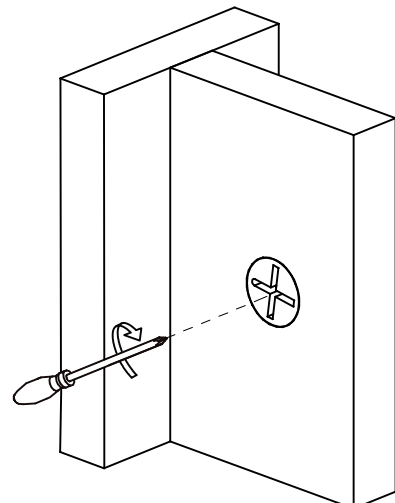


U-shaped cut align to dowel

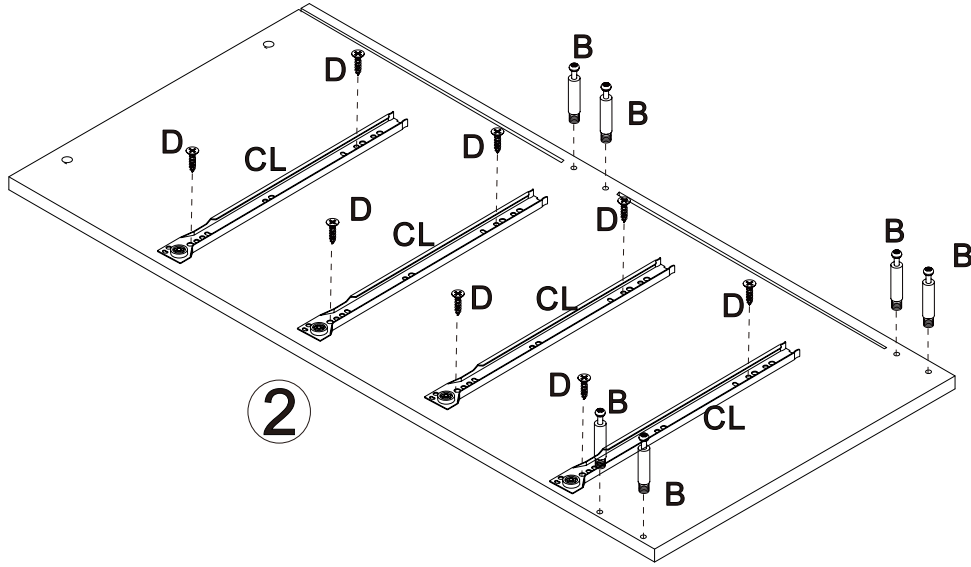
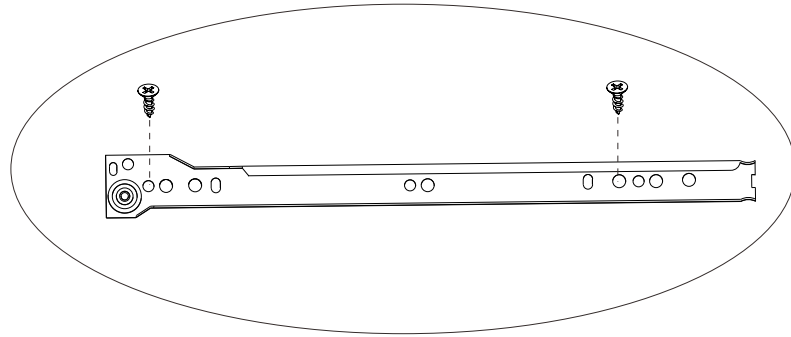





5

Tighten: Turn the eccentric wheel clockwise
Loosen: Turn it anticlockwise

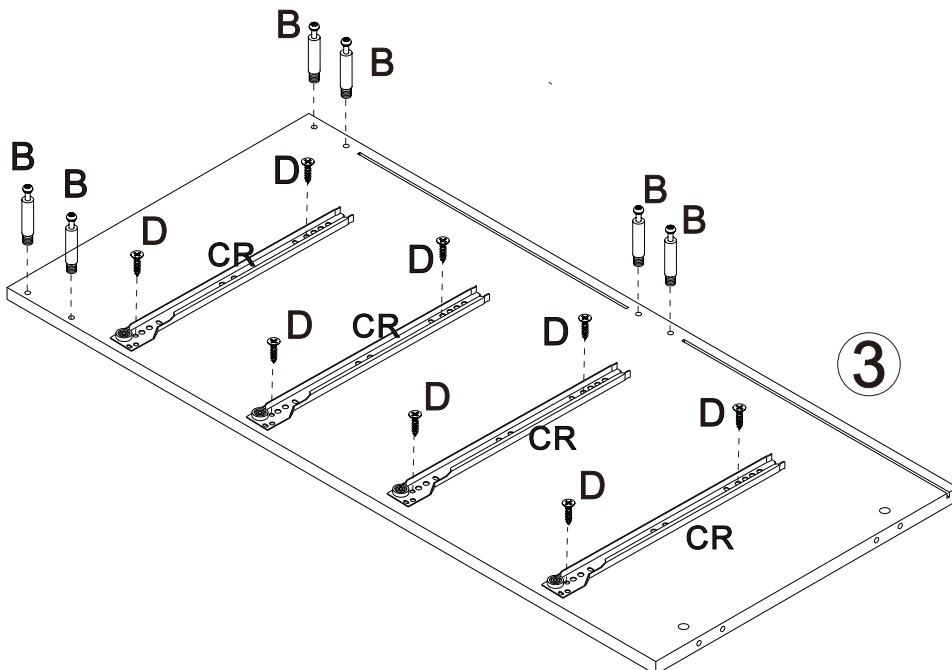
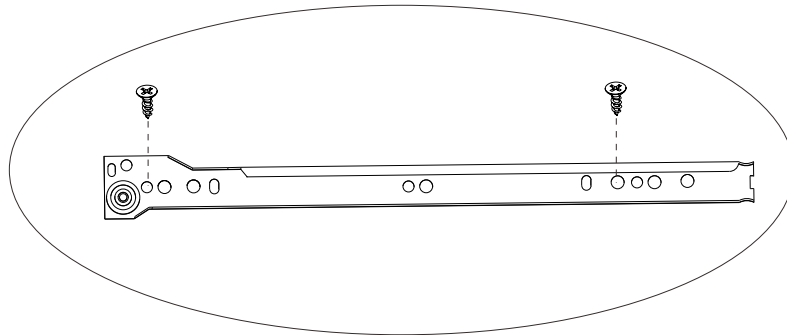




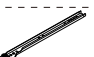
Step 1



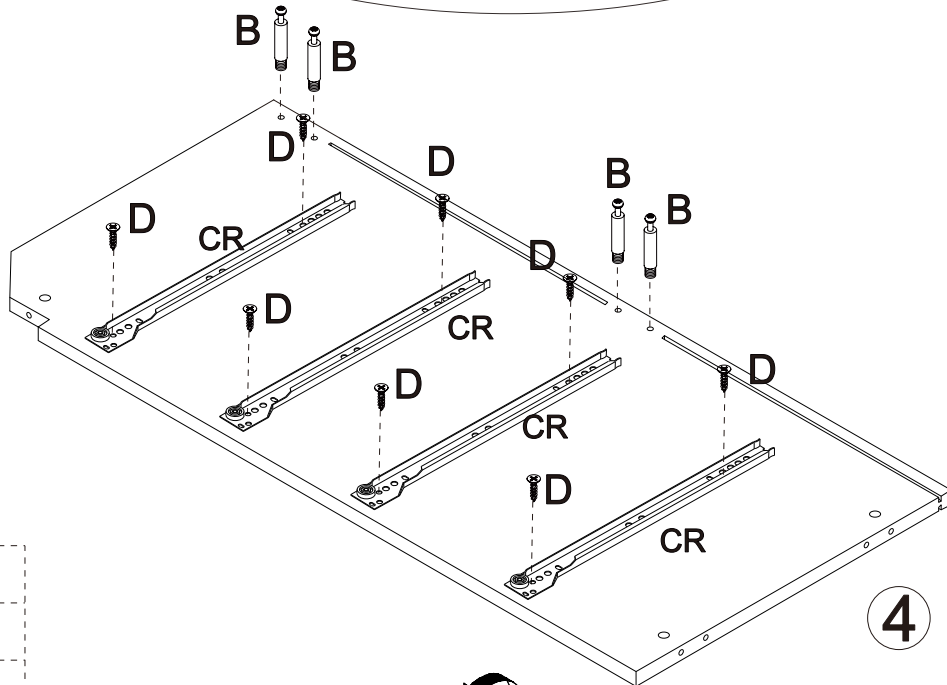
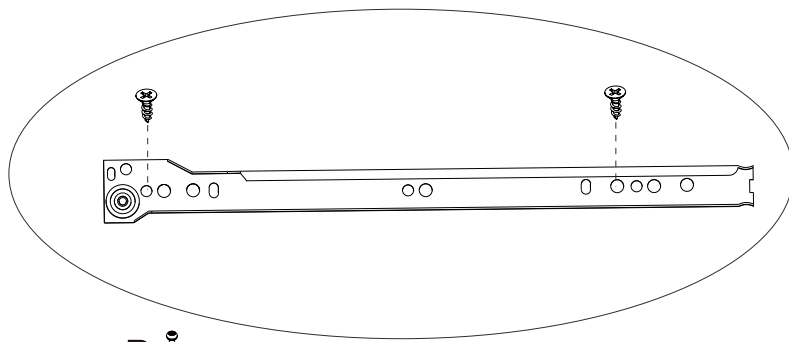
	Bx6
	Dx8
	CLx4




Step 2



	Bx6
	Dx8
	CRx4

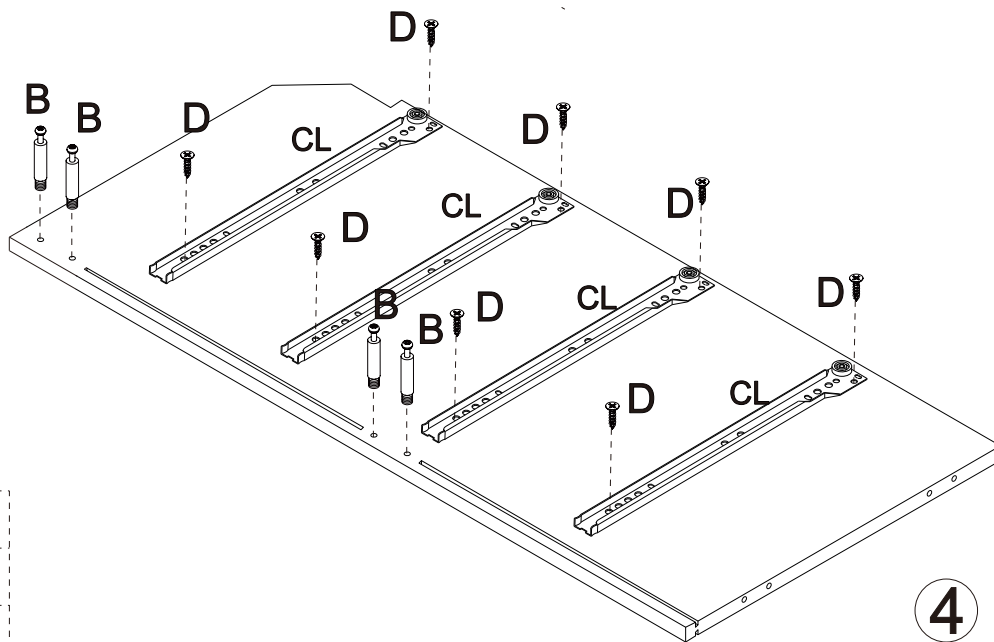
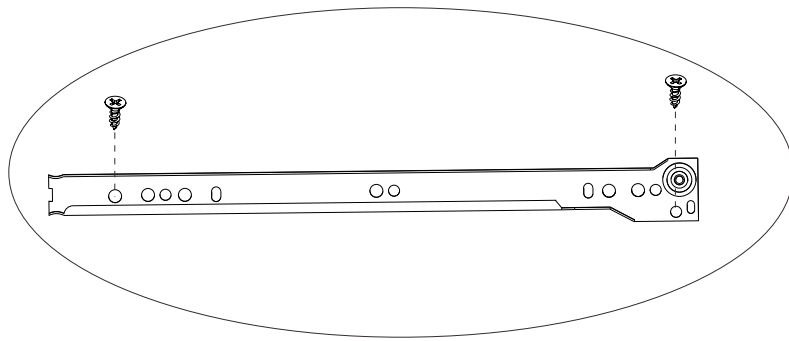
Step 3






	Bx4
	Dx8
	CRx4

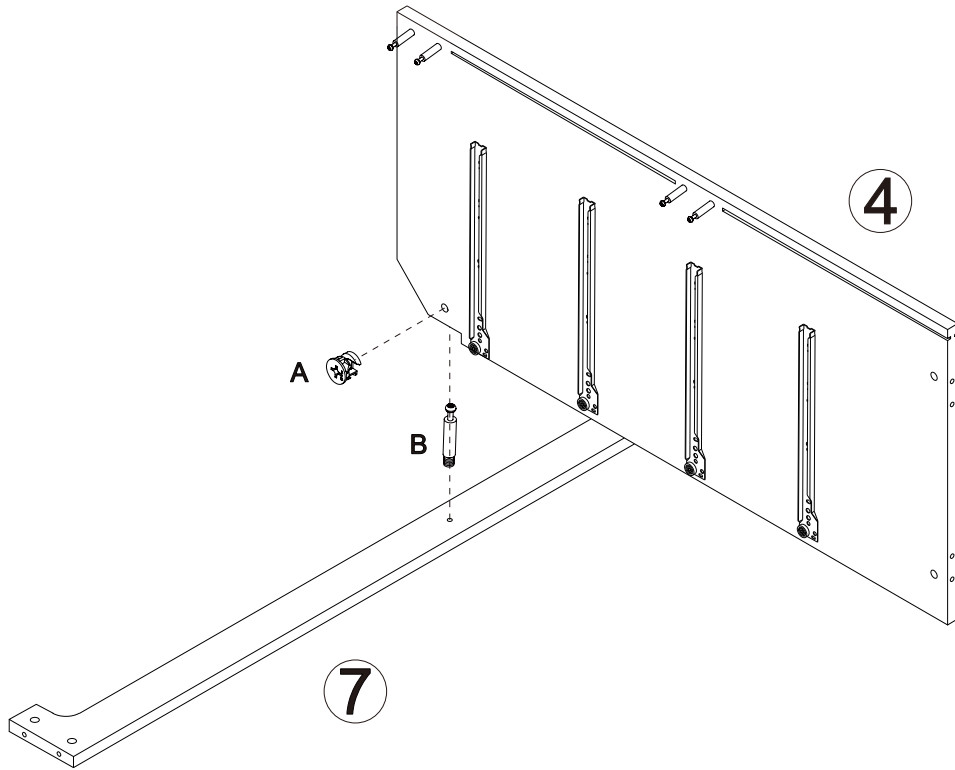


Step 4



	Bx4
	Dx8
	CLx4

Step 5

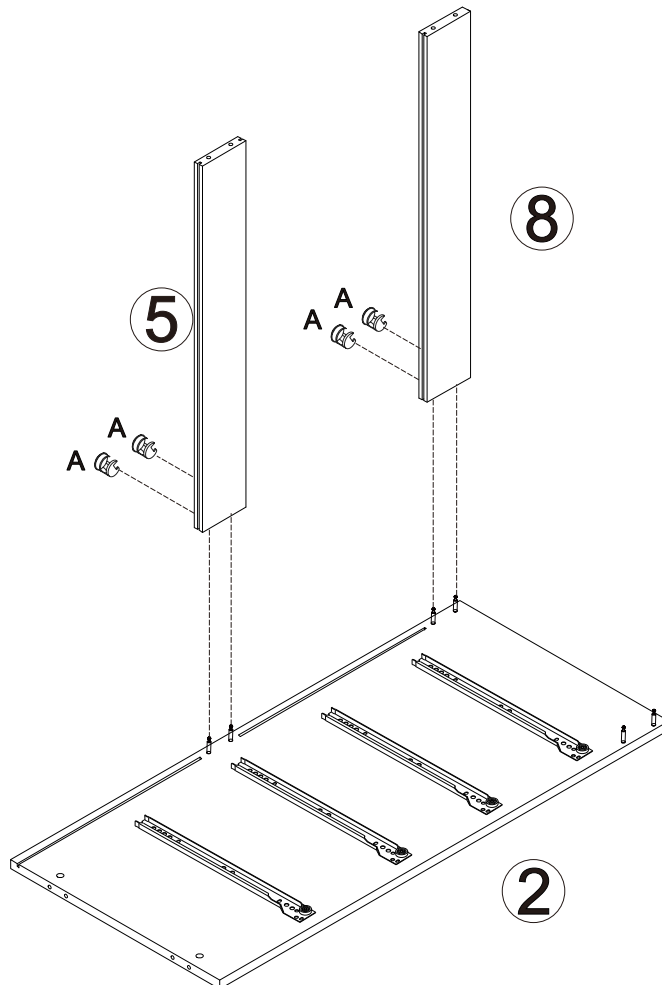


Ax1



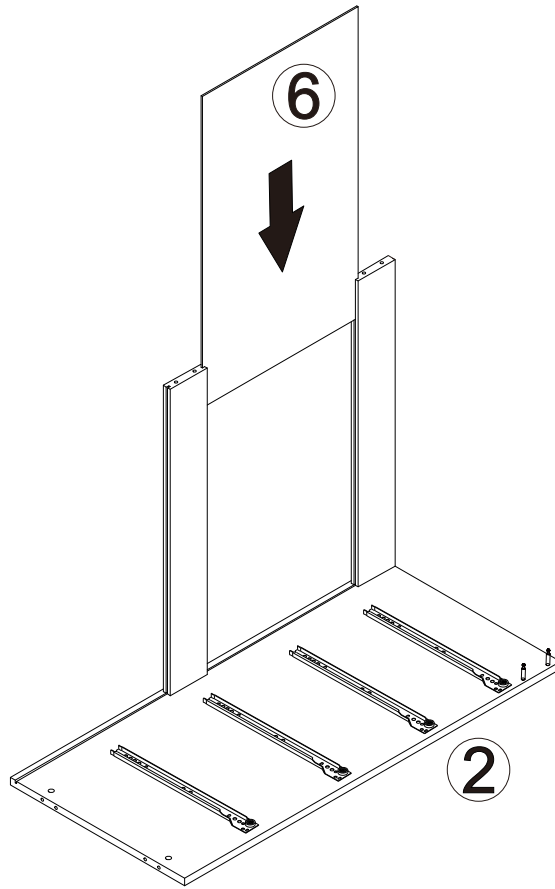
Bx1

Step 6

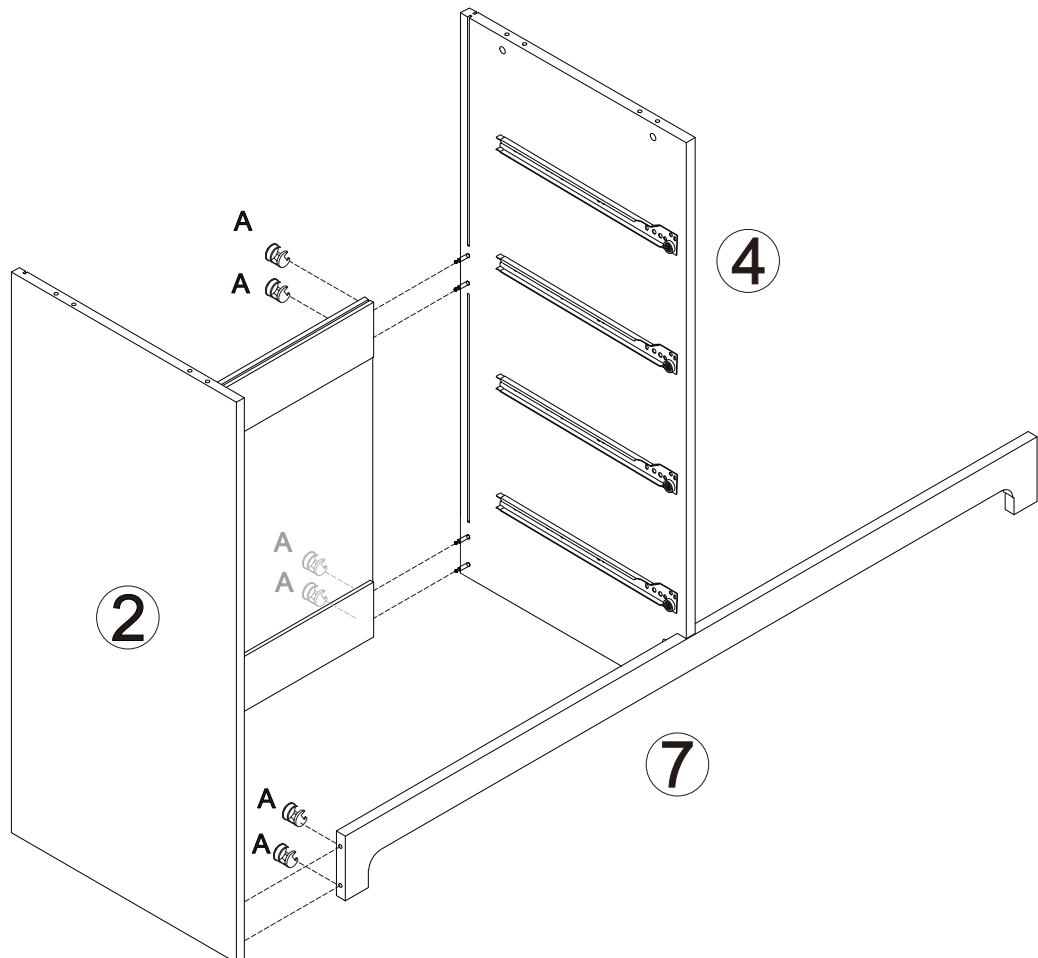


Ax4

Step 7

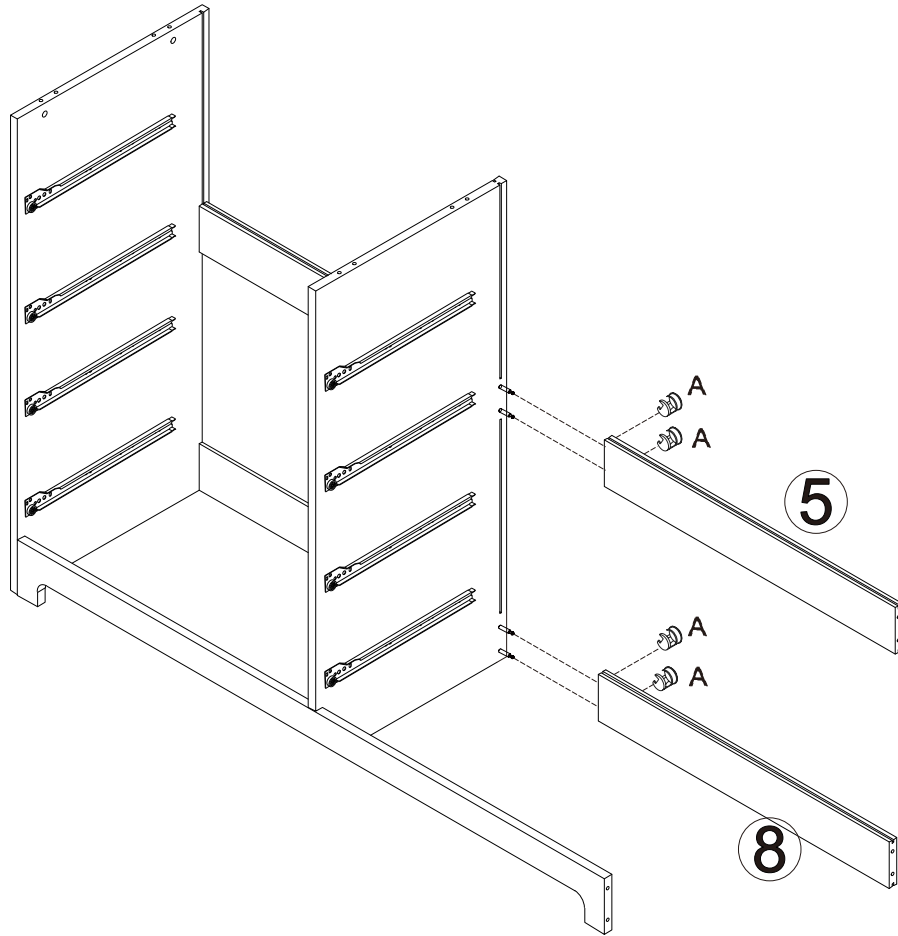


Step 8



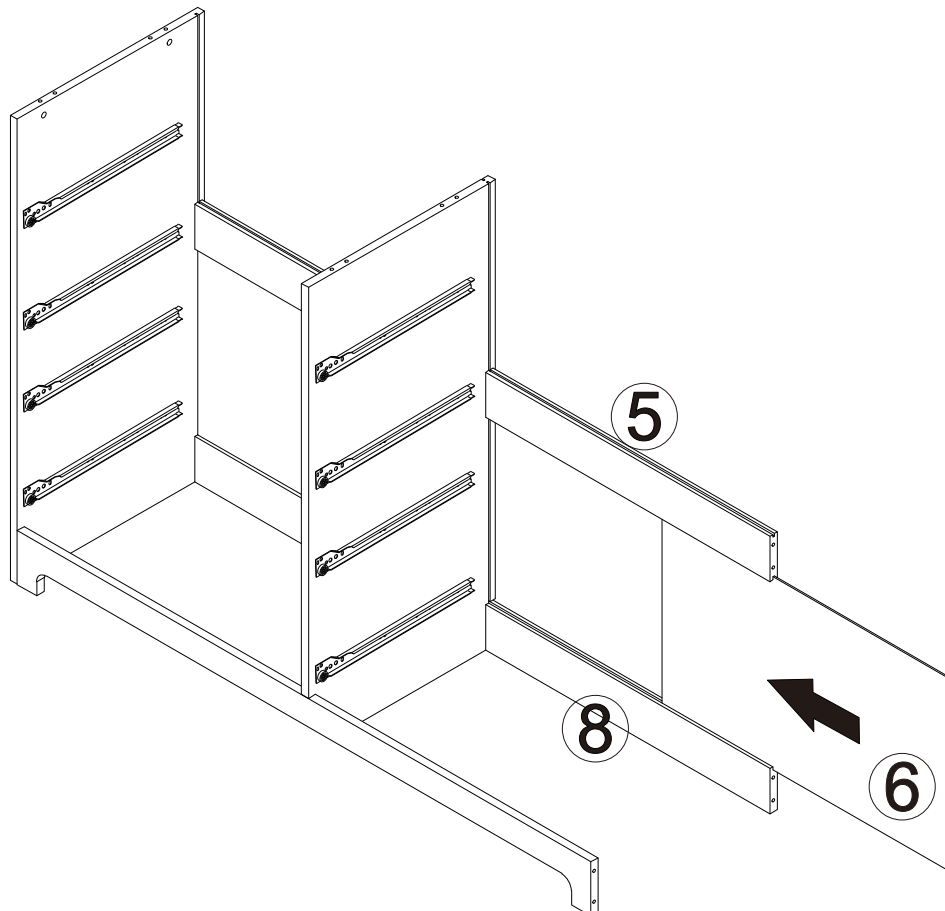
Ax6

Step 9

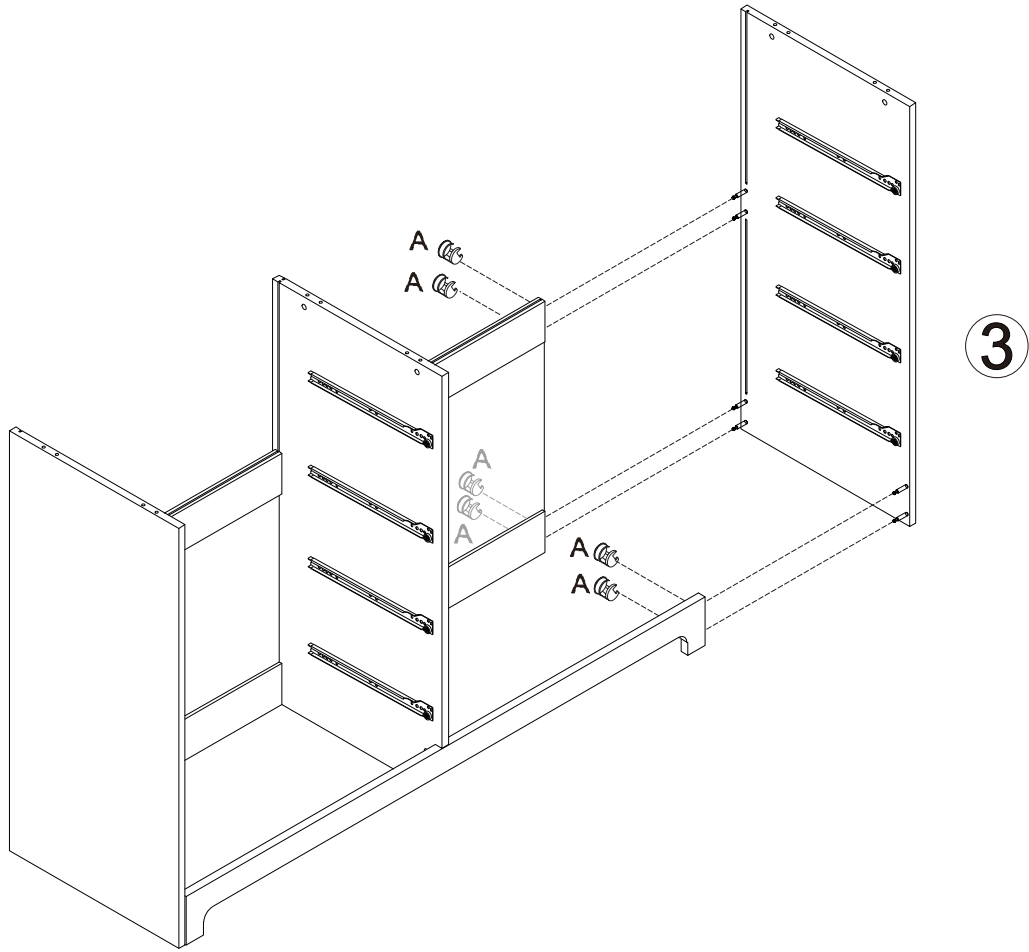


Ax4

Step 10

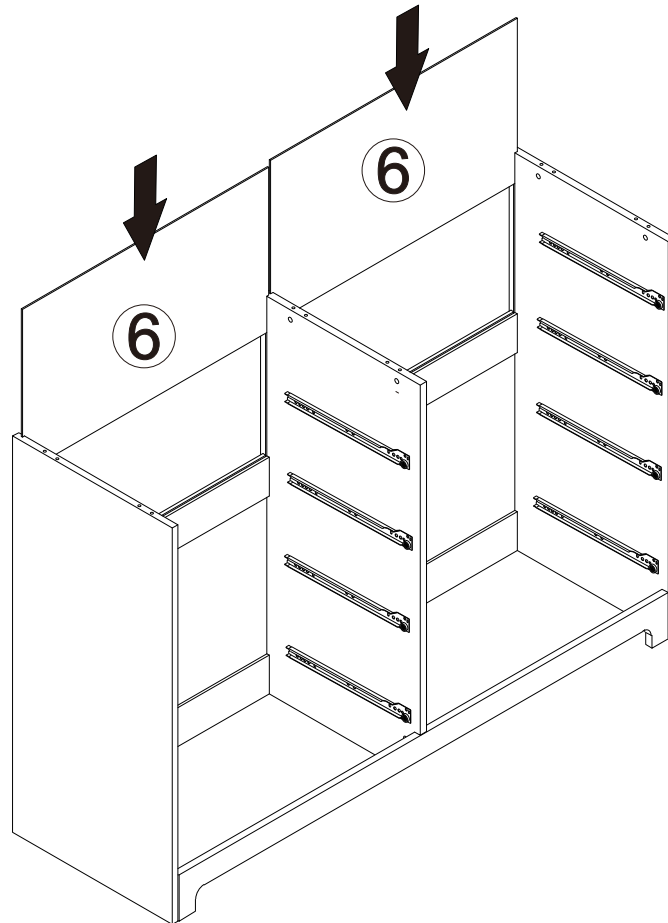


Step 11

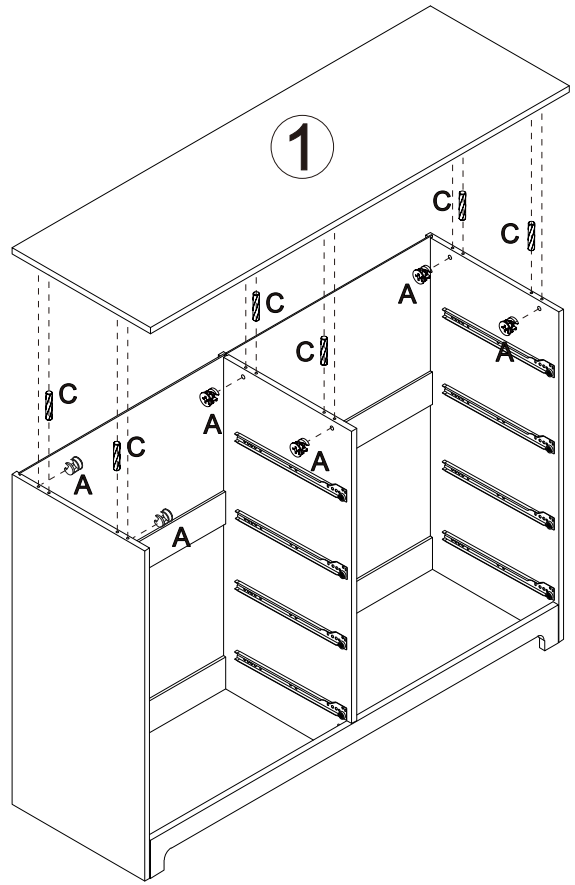
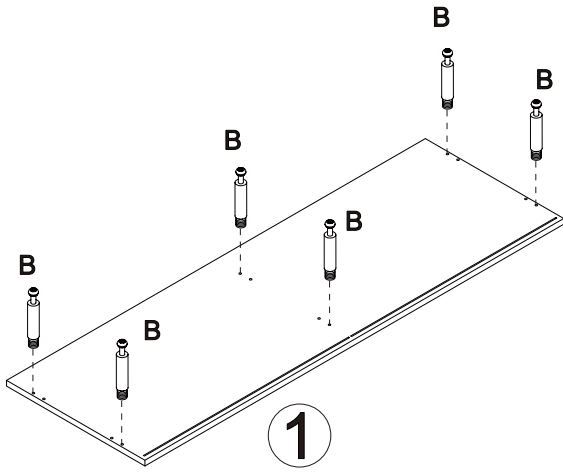





Ax6

Step 12

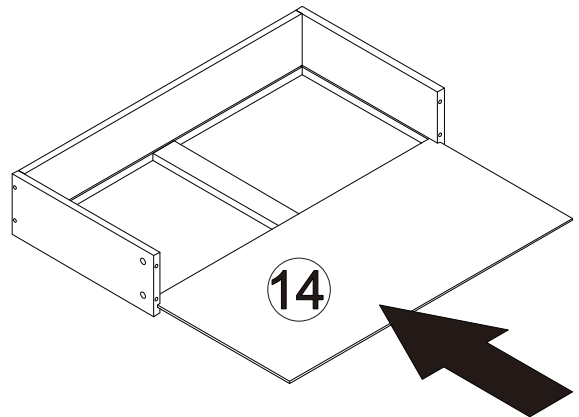
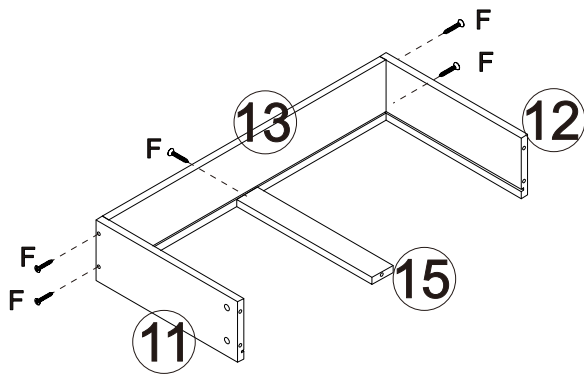


Step 13



	Ax6
	Bx6
	Cx6

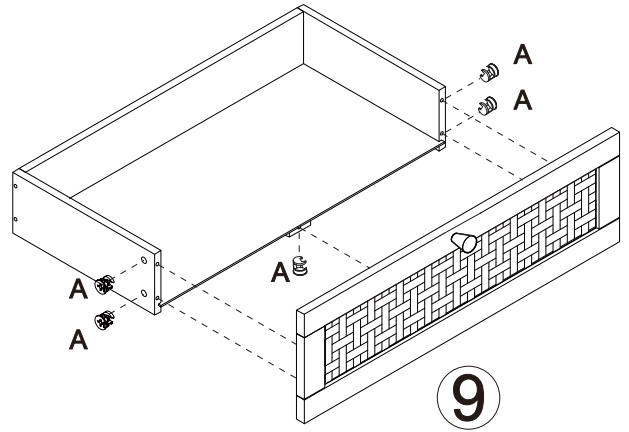
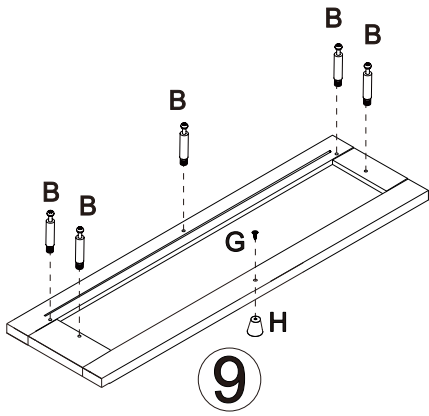
Step 14







x8

	Fx40
------------------------------------------------------------------------------------	------

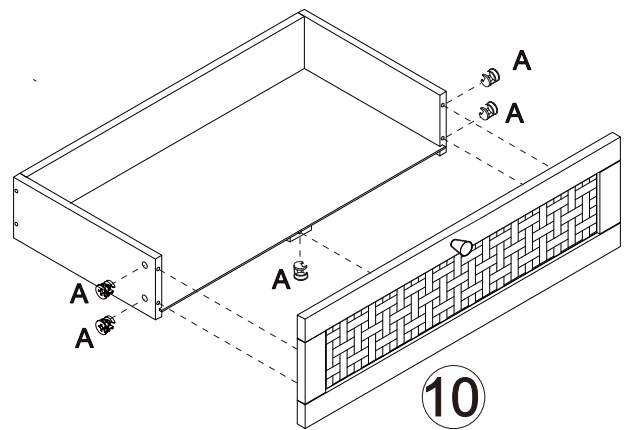
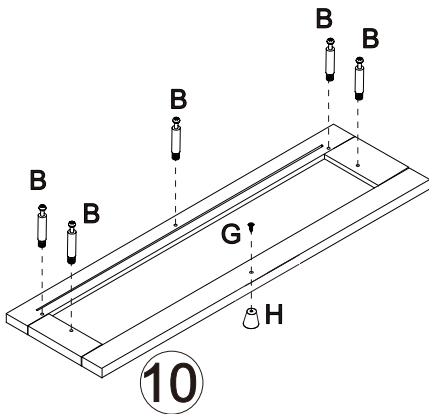
Step 15







	Ax20
	Bx20
	Gx4
	Hx4

x4

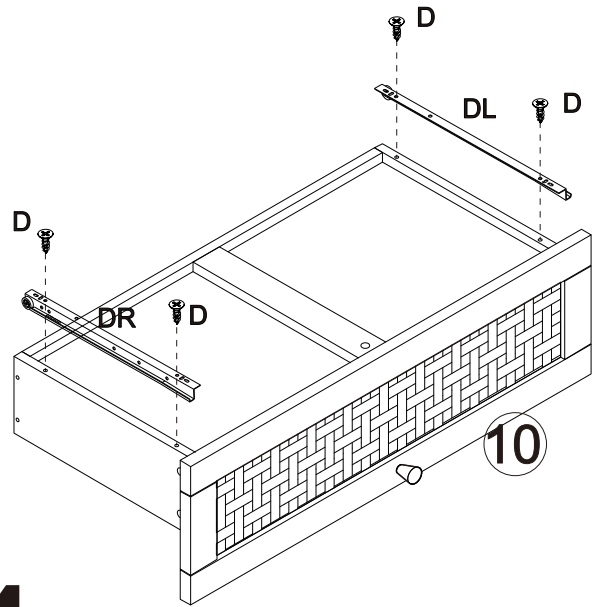
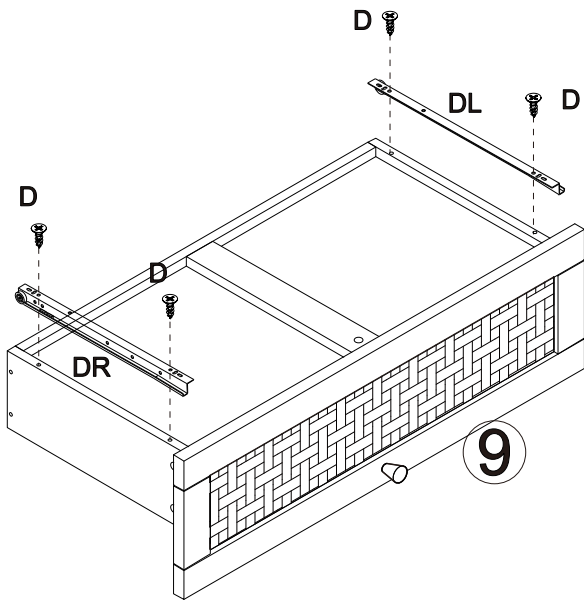
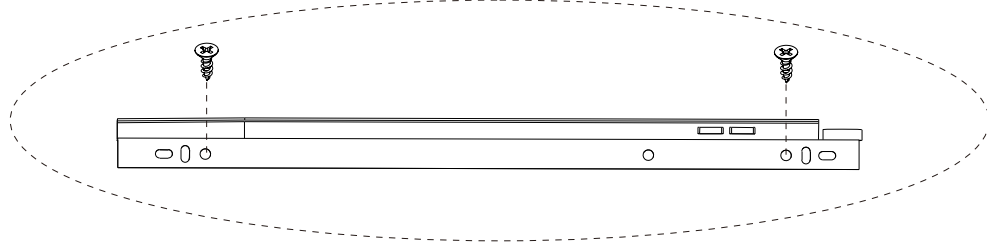
Step 16






	Ax20
	Bx20
	Gx4
	Hx4

x4

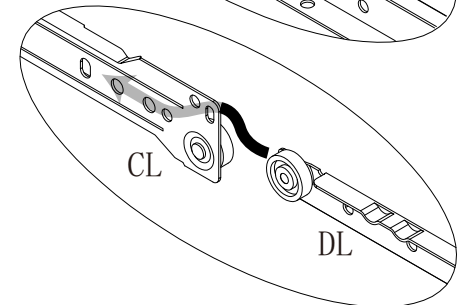
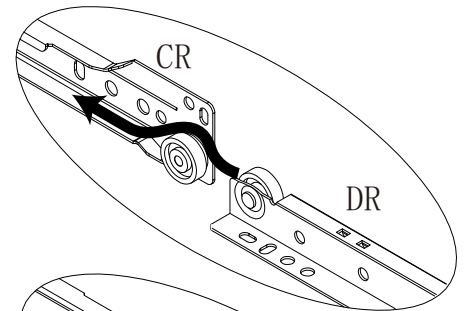
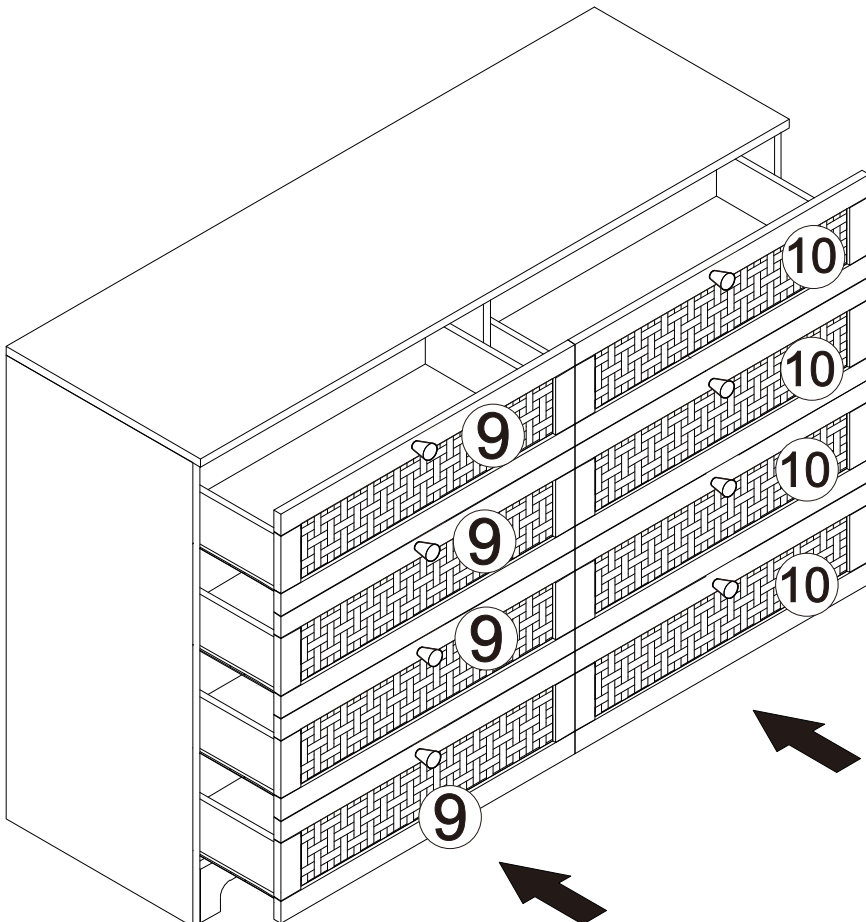
Step 17



x4

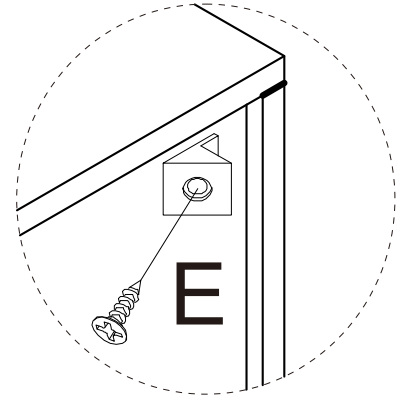
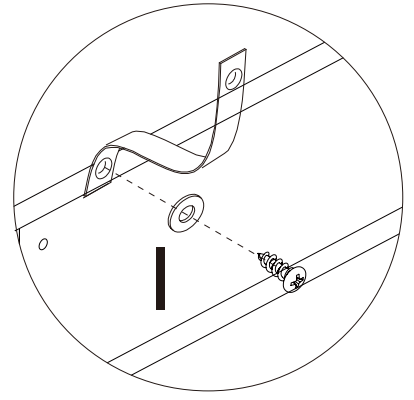
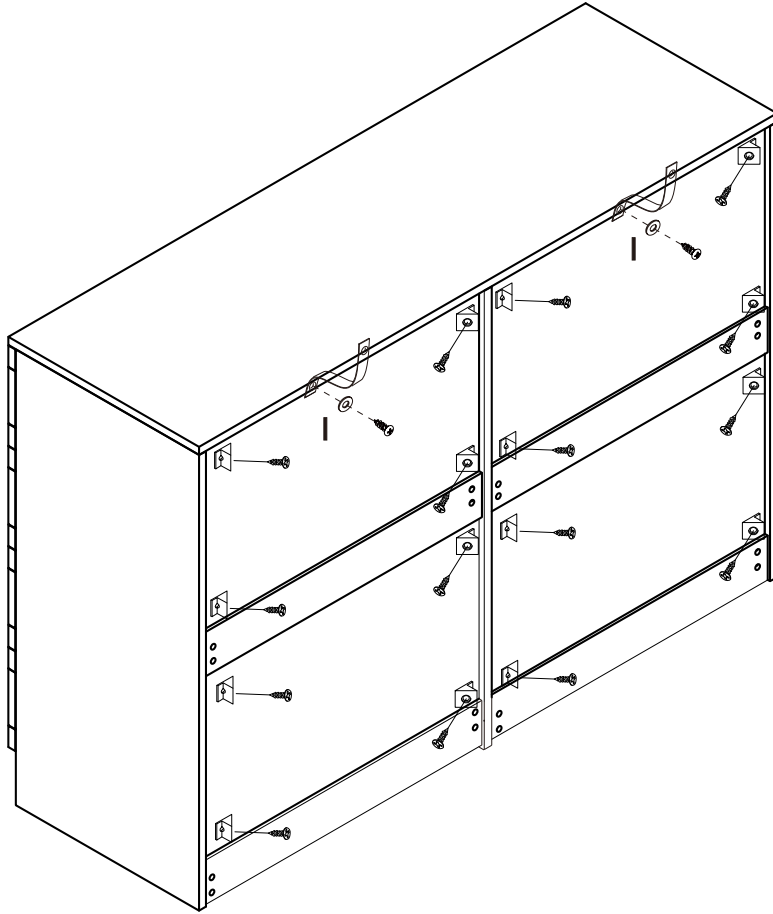
	Dx32
	DLx8
	DRx8

Step 18



Pay attention to the left and right of the drawer.

Step 19

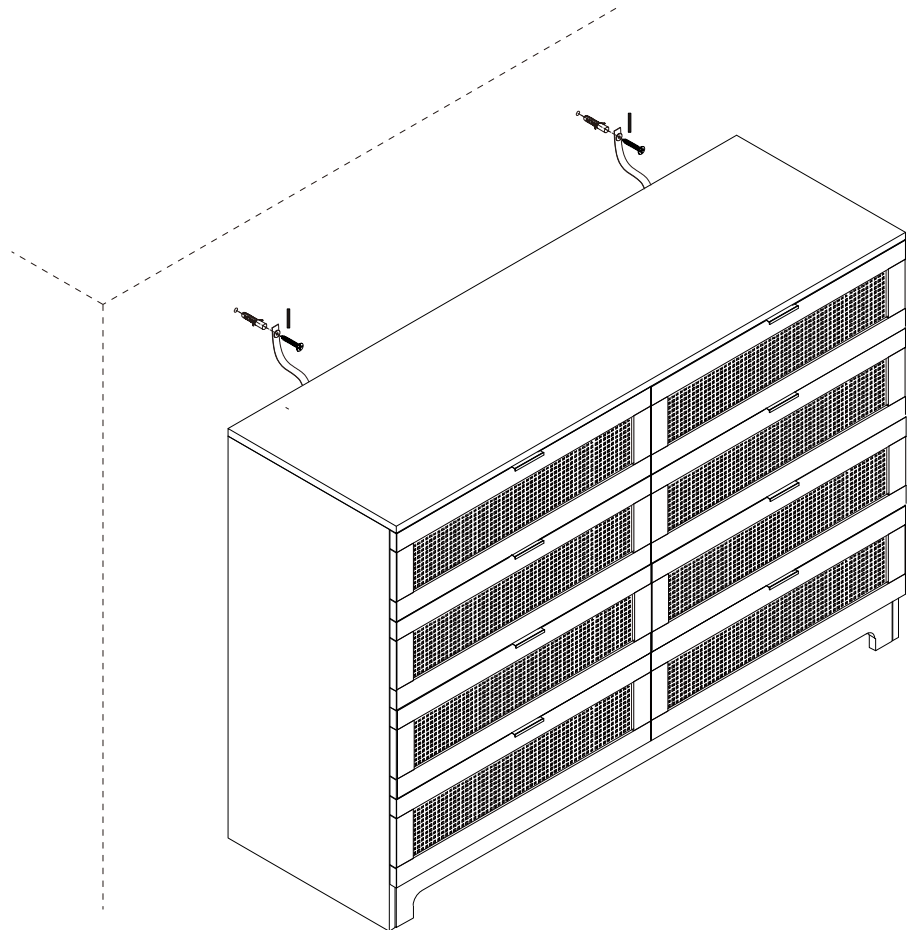
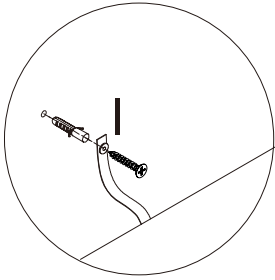


1x2



Ex16

Step 20



1x2