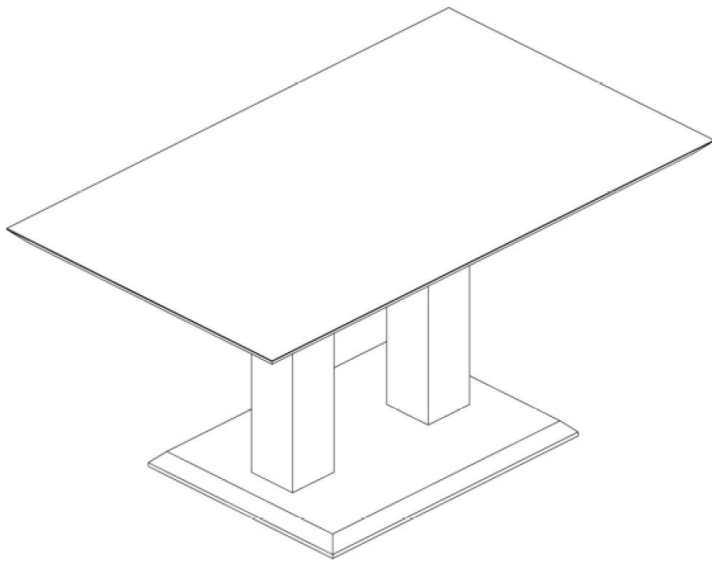


# TABLE

## ASSEMBLY GUIDE



**Important - Please read these instructions fully before starting assembly**



**SAFETY AND  
CARE ADVICE**



**NO POWER TOOLS**

### **SAFETY AND CARE ADVICE**

- Check you have all the components and tools listed.
- Remove all fittings from the plastic bags and separate them into their groups.
- We do not recommend the use of power drills/drivers for inserting screws, as this could damage the unit. Only use hand screwdrivers and Allen keys.
- Keep children and animals away from the work area, small parts could cause choking if swallowed.
- Make sure you have enough space to layout the parts before starting.
- Assemble the item as close to its final position (in the same room) as possible.
- Do not overtighten the nuts to avoid causing damage to the threads.
- Only clean using a damp cloth and mild detergent, do not use bleach or abrasive cleaners.
- From time to time check that there are no loose screws on this unit
- This product should not be discarded with household waste. Take to your local authority waste disposal centre

## IMPORTANT INFORMATION



45 MINUTE  
BUILD



TWO  
PERSON

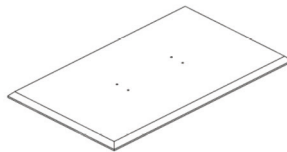


MAXIMUM  
CAPACITY 100Kg

PLEASE CHECK CAREFULLY AND MAKE SURE YOU HAVE ALL FITTINGS AND TOOLS LISTED BELOW BEFORE YOU START.

1 x1

Table top



2 x2






Table legs



3 x1

Table base




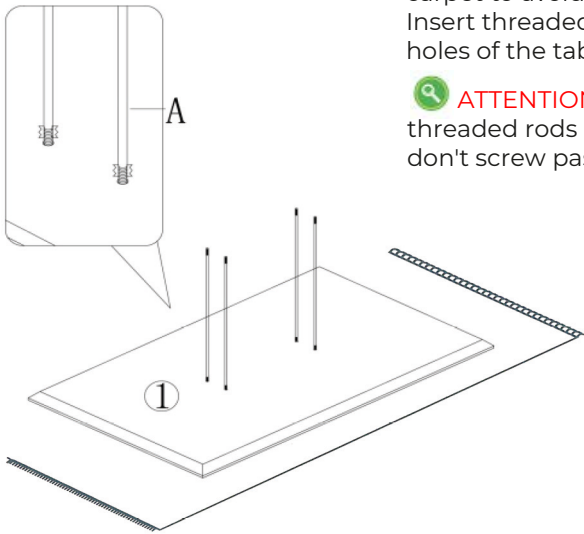
|  |  |   |
|--|--|---|
| <p>(A)</p>  <p>M8x720mm Threaded Rod X4</p> | <p>(B)</p>  <p>M8mm Nut X4</p>        | <p>(C)</p>  <p>M8x22mm Metal Washer X4</p> |
| <p>(D)</p>  <p>M14mm Box Spanner X1</p>     | <p>(E)</p>  <p>φ30PVC Stickers X4</p> |   |

**NOTE:** The quantities above are the correct amount to complete the assembly. In some cases more fittings may be supplied than are required.

## STEP 1

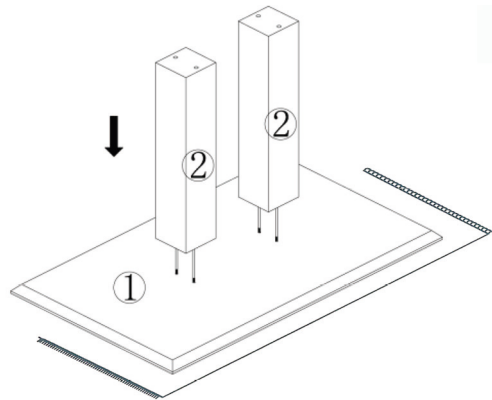
Put the pieces on a flat soft surface e.g. a carpet to avoid scratching or bumping. Insert threaded rods (A) into the assembly holes of the table top (part [1])

 **ATTENTION:** Be careful to always insert the threaded rods into the table stopper-end first & don't screw past the stopper

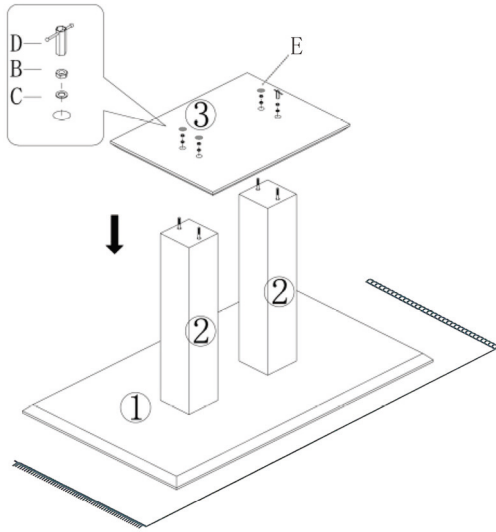


## STEP 2

Place the table legs (part [2]) over the threaded rods as shown.

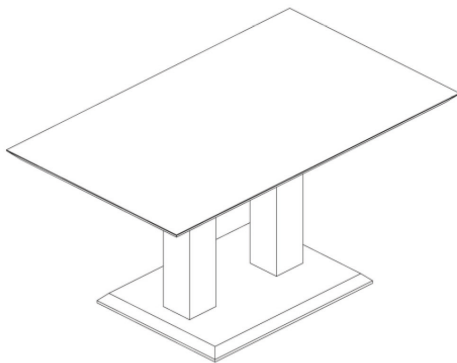


## FULL ASSEMBLY INSTRUCTIONS



### STEP 3

Attach the table base (part [3]) to the table legs. Secure using fixings (C) and (b), using the Box Spanner (D) to tighten. Once fully tightened cover the holes with Stickers (E)



### STEP 4

Assembly completion

**ATTENTION:** With the help of another person, carefully turn the table over to complete assembly. Your table is now ready to use.

## WHAT THE GUARANTEE COVERS

---



**PRE-INSERTED FIXINGS**  
e.g. lose metal threads



**FAULTY JOINTS**  
e.g. legs bending



**EXTERNAL FIXING FAULTS**  
e.g. metal discs removing  
from table top



**STRUCTURAL INTEGRITY**  
e.g. the frame of the  
product