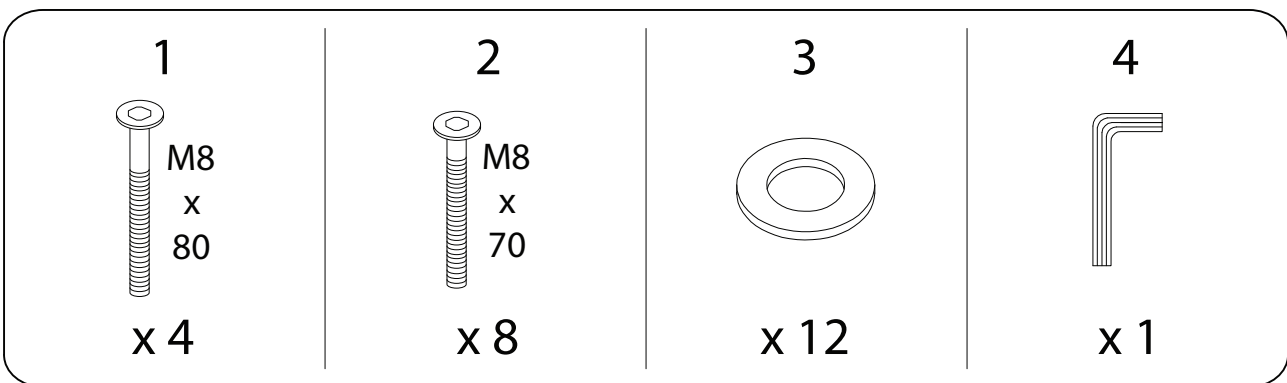
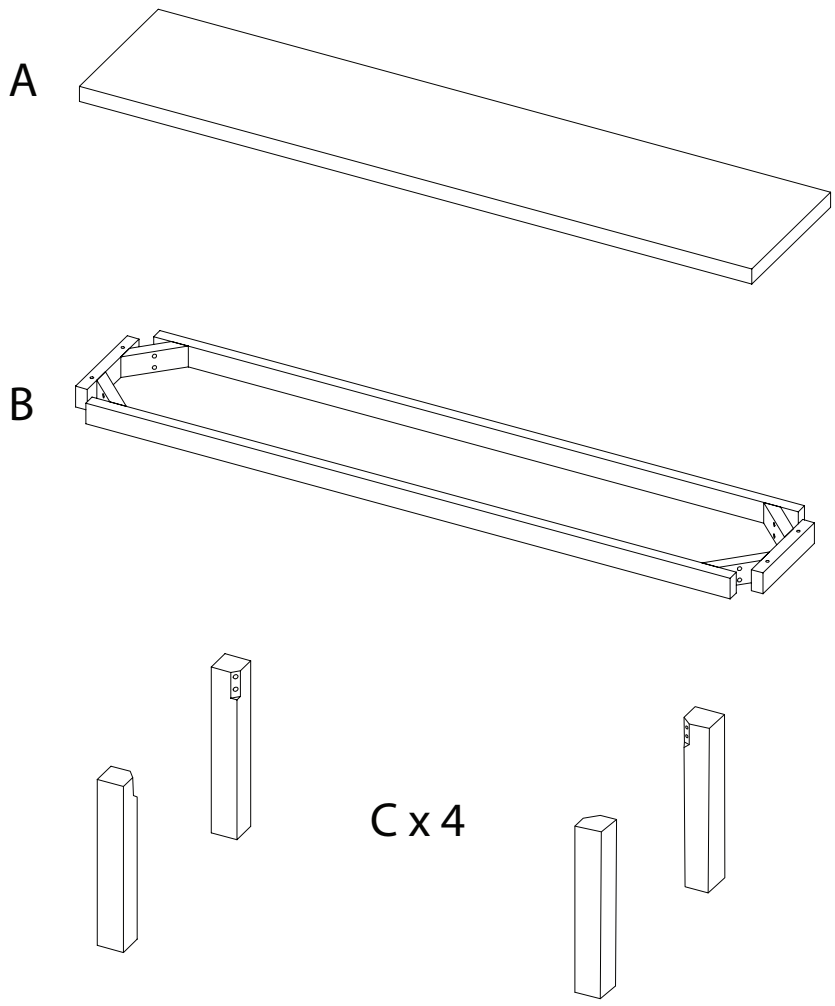
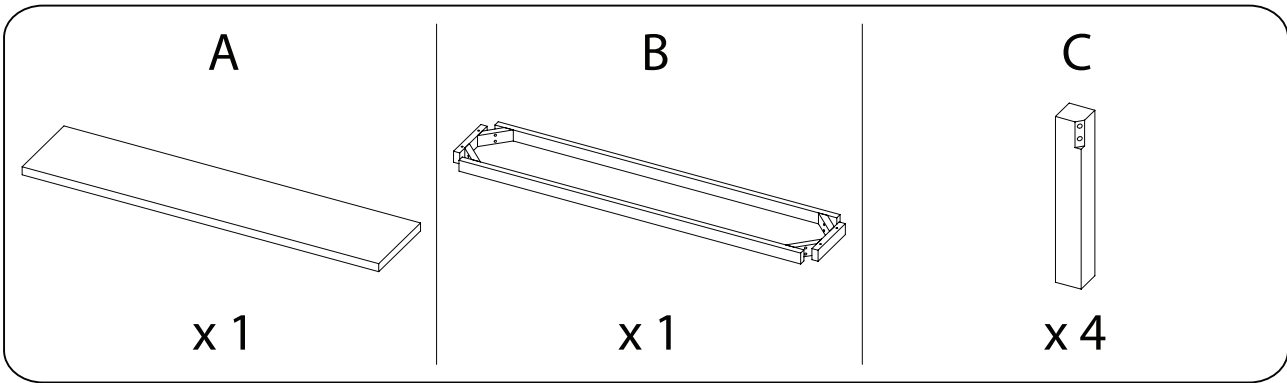
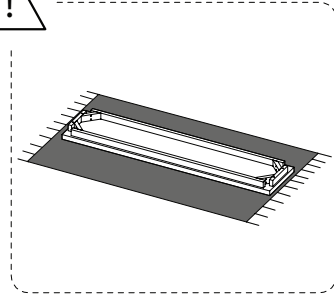
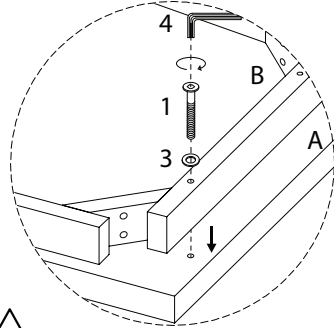
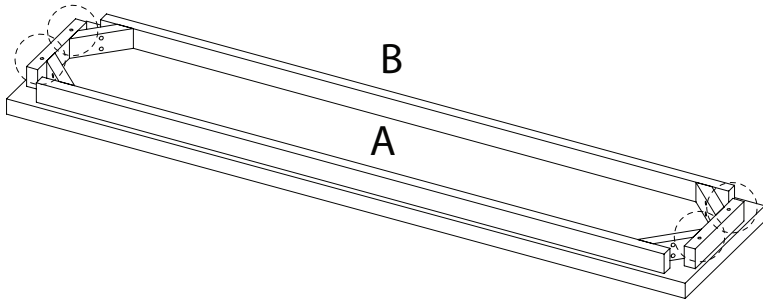
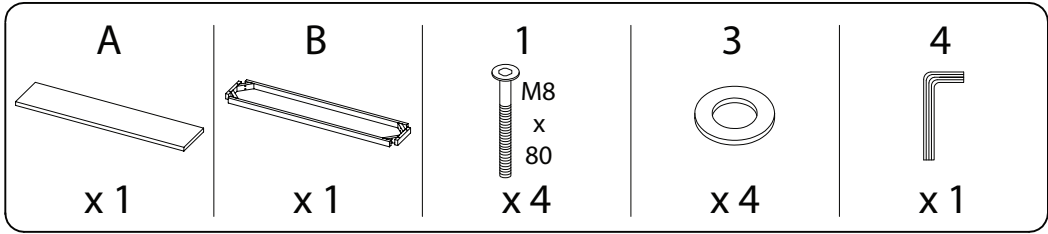


Diagram illustrating assembly instructions and safety warnings:

- Warning 1:** A warning triangle with an exclamation mark is positioned above a box containing:
 - A circular inset showing a corner bracket.
 - A power drill with a diagonal line through it, indicating that a power drill should not be used.
- Warning 2:** A second warning triangle with an exclamation mark is positioned above a box containing:
 - A circular inset showing a rectangular block being placed on a surface.
 - A diagram showing a block being lifted or moved, with a diagonal line through it, indicating a specific handling instruction.
- Time:** A clock icon is shown next to the text "15'", indicating a 15-minute duration.
- Personnel:** A stick figure icon is shown next to the number "1", indicating that one person is required for the task.



1



2

