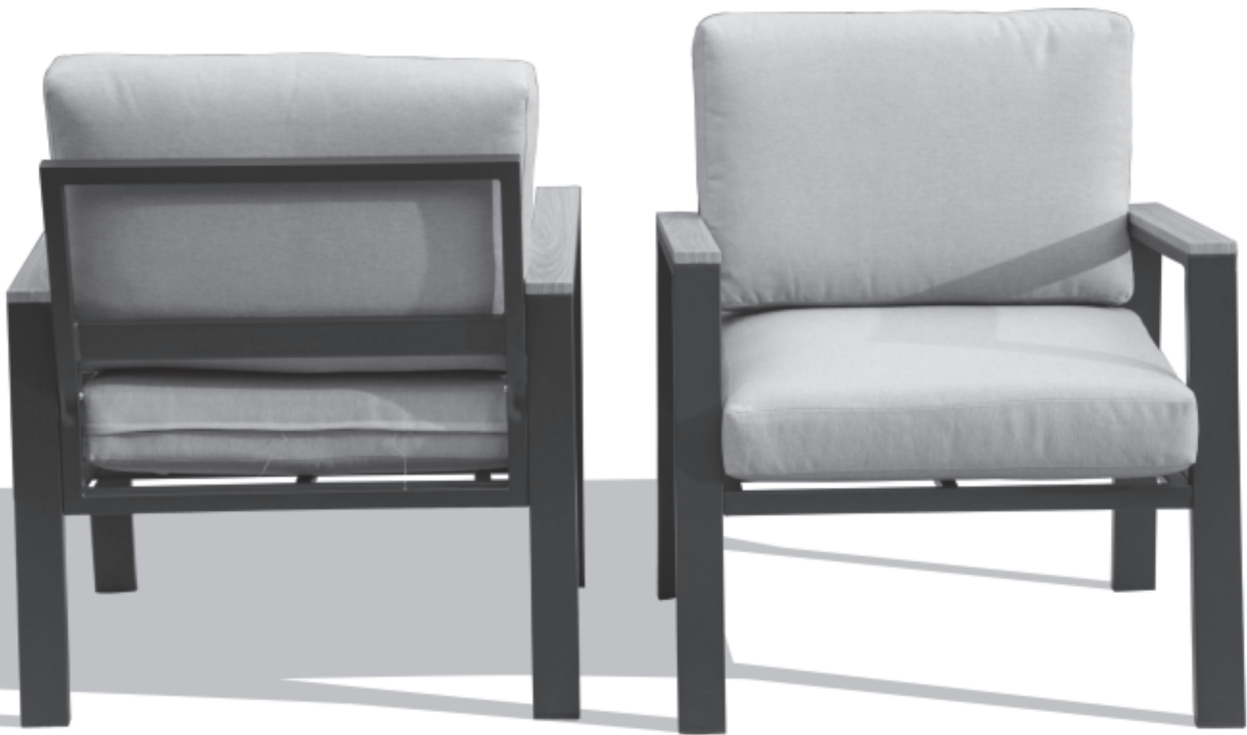


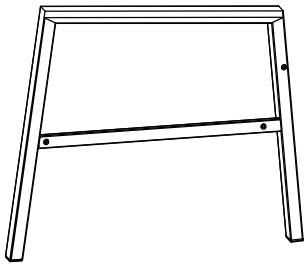
2 Pcs Patio Aluminum Sofa

Assembly Instructions

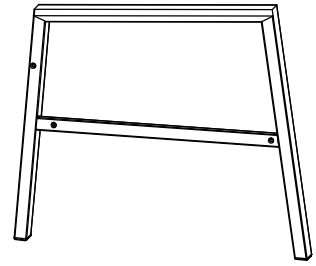


SKU:LCDA0173A

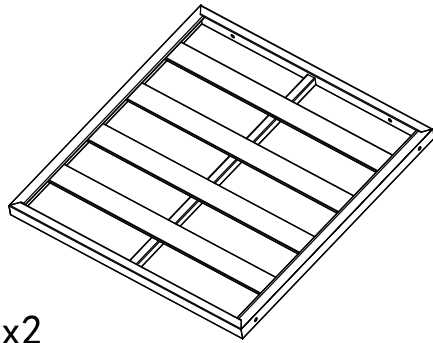
email: domiservice01@outlook.com



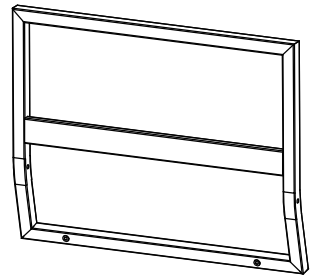
(A) x2



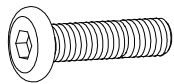
(B) x2



(C) x2

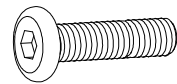


(D) x2



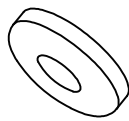
(E) x8

M6*28

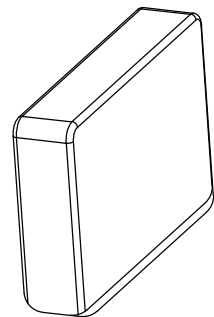


(F) x8

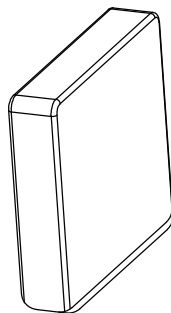
M6*35



(G) x16



(H) x2

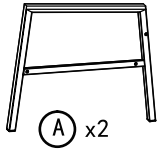


(I) x2

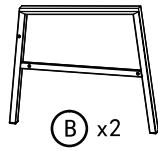


(J) x1

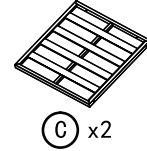




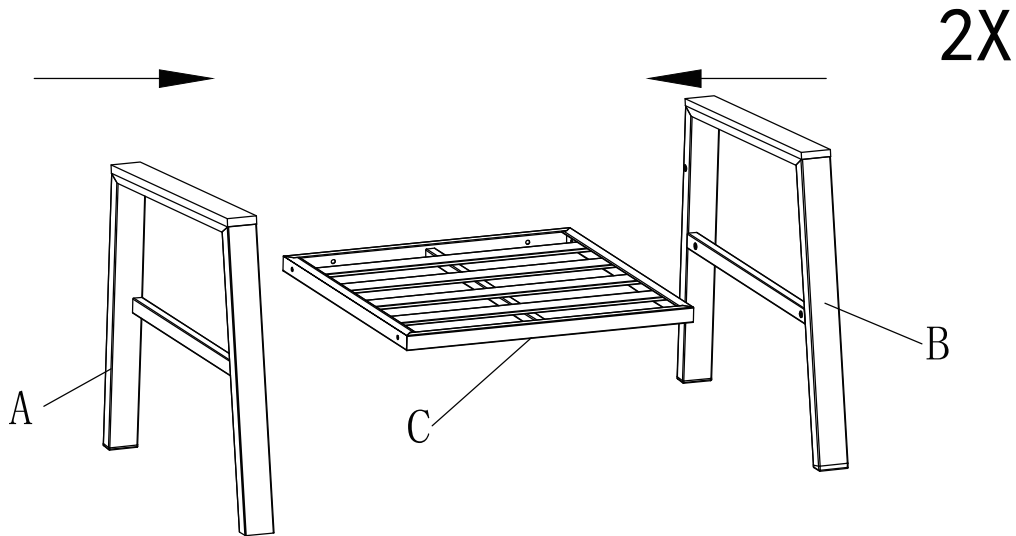
A x2



B x2



C x2



M6*28

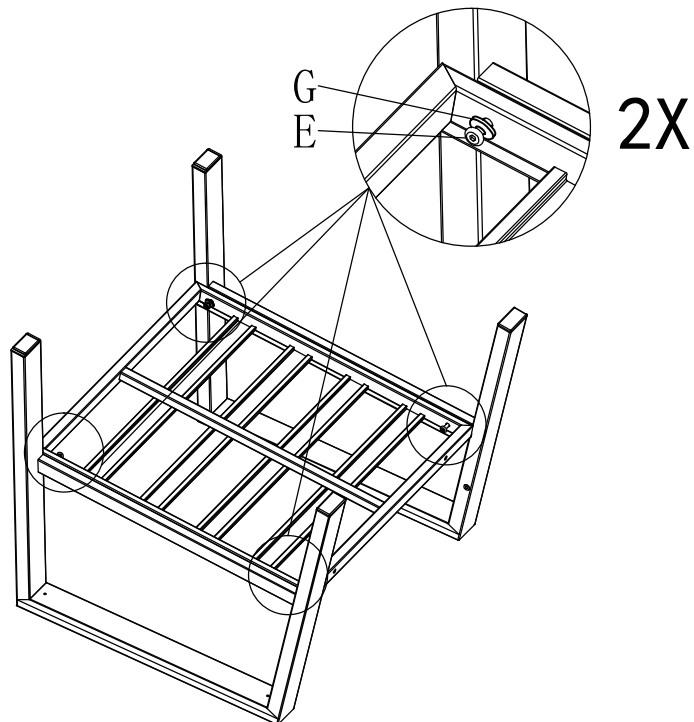
E x8



G x8

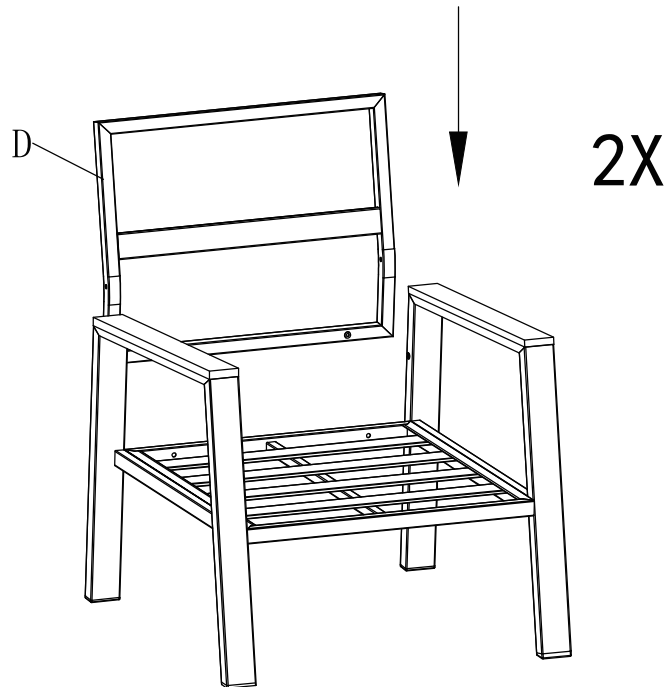
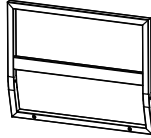


J x1



2 Warm Tip: Please don't tighten screws before finish assemble.

ⓓ x2



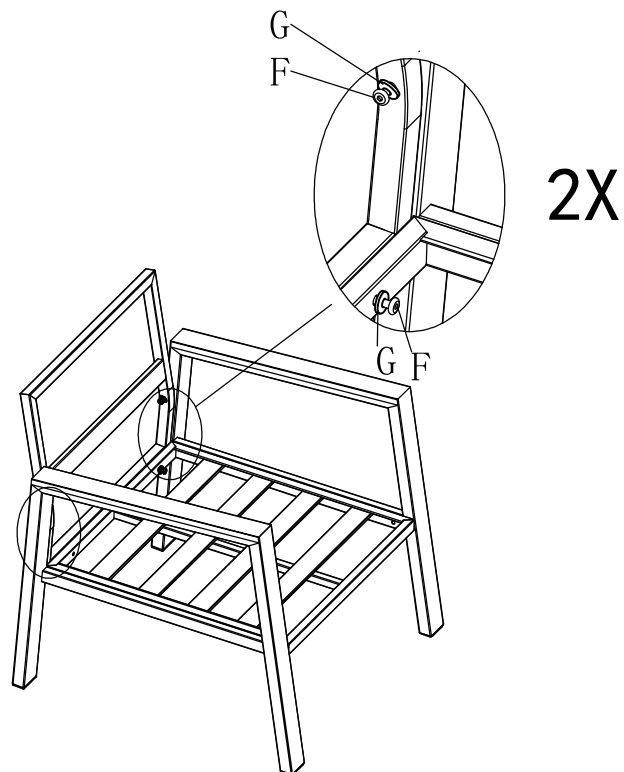
M6*35
ⓕ x8



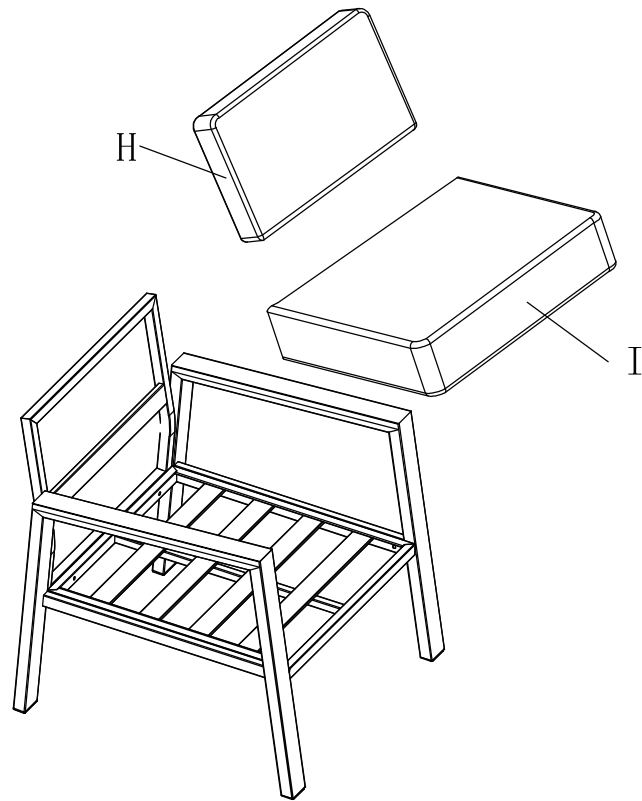
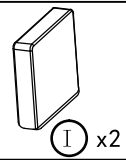
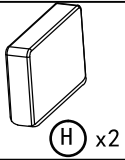
ⓖ x8



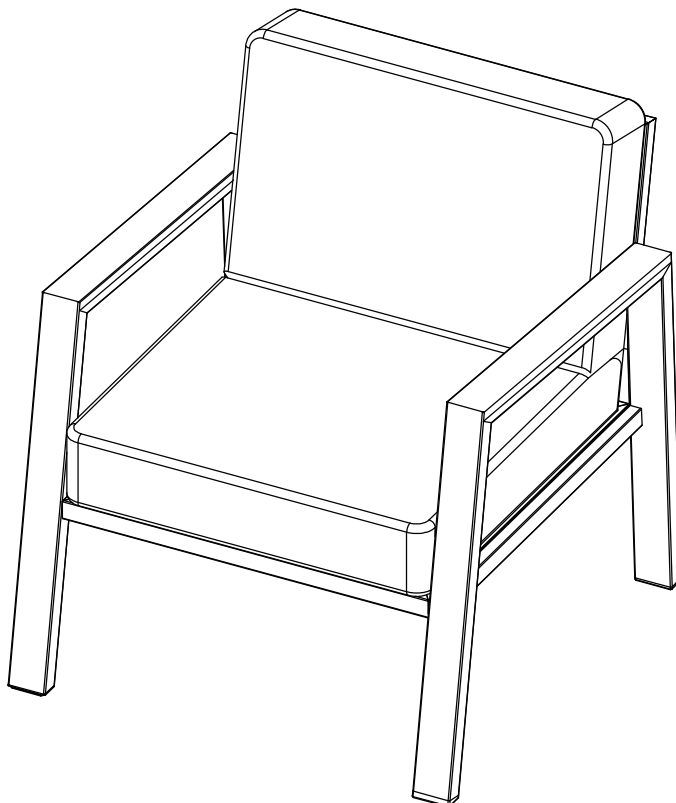
ⓙ x1



3 Warm Tip: Tighten all screws before using.



2X



2X