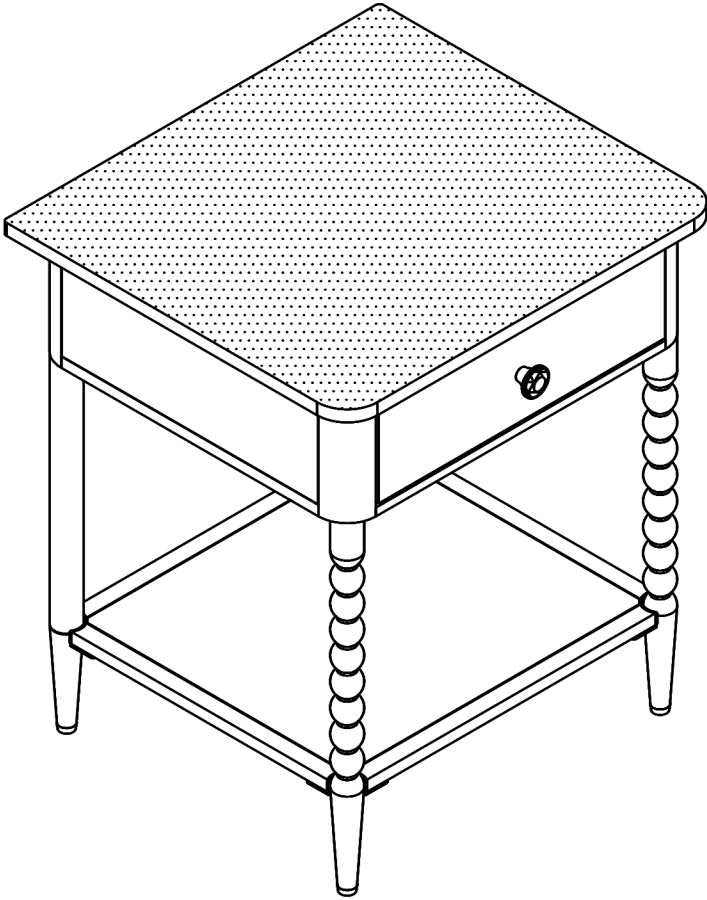


Assembly Instructions



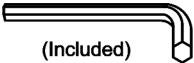
ASSEMBLY RATING

The Assembly Rating is a 5-point system that shows the degree of effort needed in assembling a specific product (with 1 being easy and 5 being difficult). For some products, two persons are recommended.

EASY  DIFFICULT

Tools Required For Assembly:

Allen Wrench

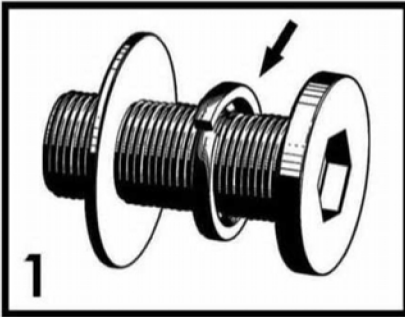


2 PERSONS RECOMMENDED

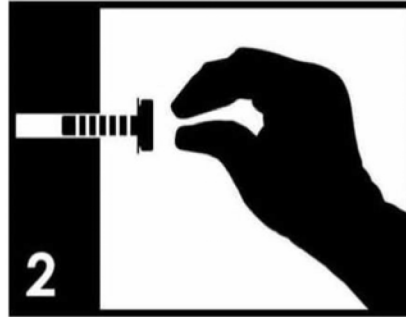
ASSEMBLY & CARE ADVICE

FOR YOUR FURNITURE TO LAST, CORRECT ASSEMBLY AND PROPER MAINTENANCE ARE NECESSARY. PLEASE FOLLOW THE INFORMATION PROVIDED BELOW TO FULLY ENJOY YOUR FURNITURE.

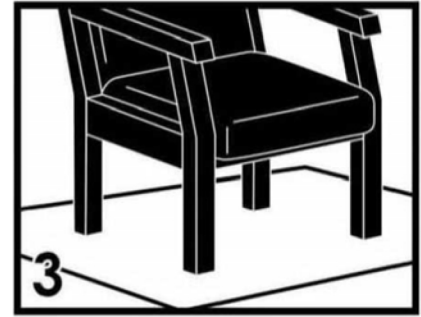
BASIC ASSEMBLY TECHNIQUES



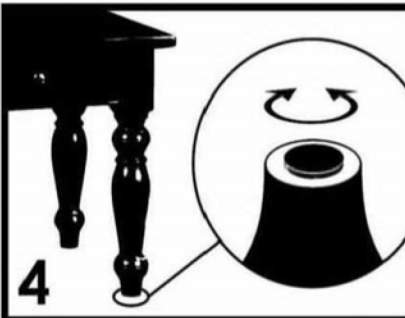
When lock or spring washer is used in an assembly, please make sure the lock or spring washer is placed between the larger flat washer and the head of the screw or bolt.



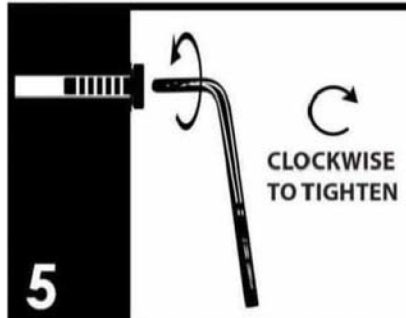
Position each part correctly and insert screws or bolts into their respective holes by hand tighten or using the proper hand tool. Only tighten when step is completed or when instructed to do so.



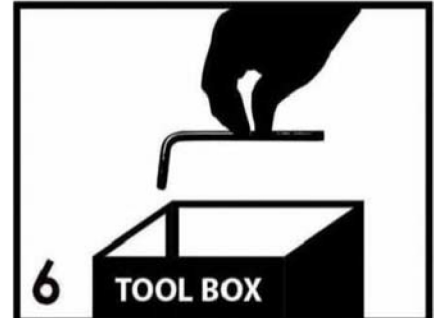
Use cardboard or carpet area when assembling furniture to prevent scratches. Make sure the furniture rests on a flat and level surface with each leg evenly touching the floor.



Some furniture comes with height adjustment knobs underneath each leg. To lower or to raise each leg, you need to turn clockwise or counterclockwise, respectively.



Make sure all parts are properly aligned, then use the appropriate hand tool to completely tighten the bolts or screws. Do not use power tools and do not overtighten.



Save the instructions and store the Allen wrench or any supplied tool for later maintenance. After two weeks, check and tighten any loose hardware and repeat again every six months thereafter.

IT IS THE USER'S RESPONSIBILITY TO MAINTAIN THE FURNITURE. THE HARDWARE MAY LOOSEN OVER TIME AND MAY CAUSE THE FURNITURE TO BE WOBBLY AND UNABLE TO SUPPORT ITS INTENDED WEIGHT CAPACITY. THIS MAY LEAD TO COLLAPSE AND MAY CAUSE SERIOUS INJURY.



FAILURE TO FOLLOW THE GUIDELINES ABOVE MAY RESULT IN INJURY AND/OR PROPERTY DAMAGE.



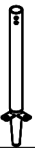
Before you begin, please read Page 2 of "Assembly and Care Advice".

And remember, do not tighten until each step is completed or instructed.

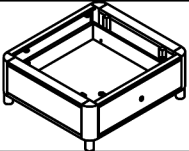
Parts List



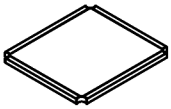
#1 x 1pc
Front Leg



#2 x 1pc
Back Leg



#3 x 1pc
Drawer Frame

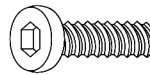


#4 x 1pc
Bottom Shelf



#5 x 1pc
Top Panel

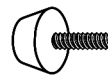
Hardware List



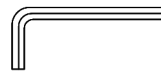
#A x 20pcs
Bolt 1/4" x 1/2"



#B x 12pcs
Flat Washer \varnothing 16MM



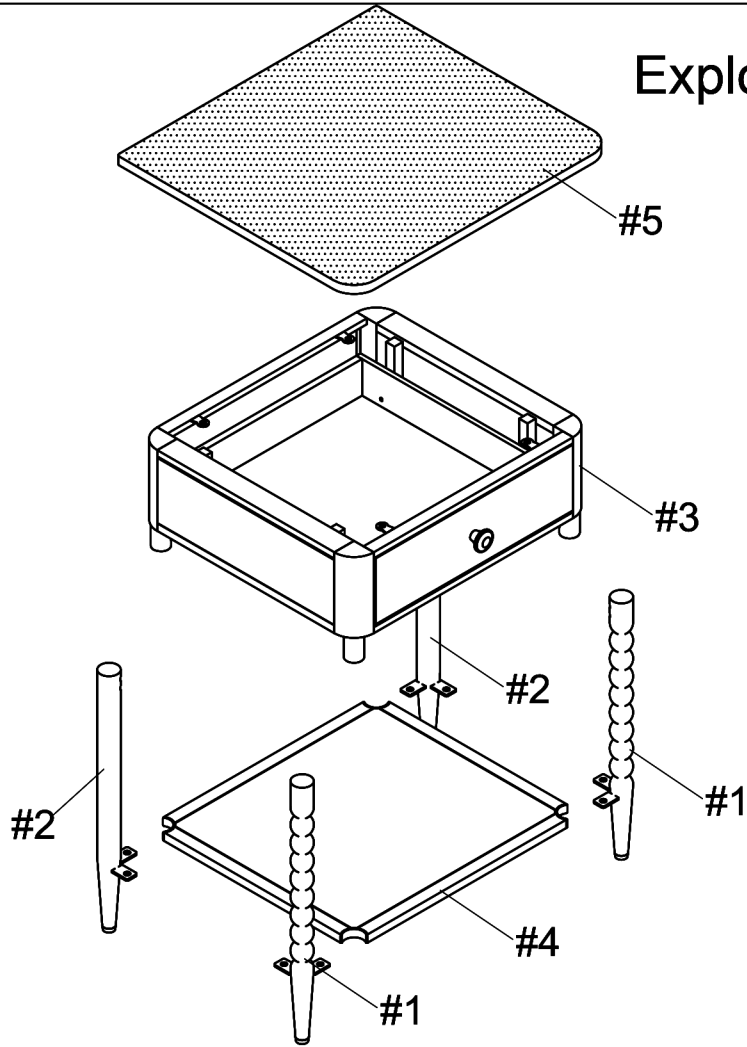
#C x 4pcs
Leveller



#C x 1pc
Allen Wrench



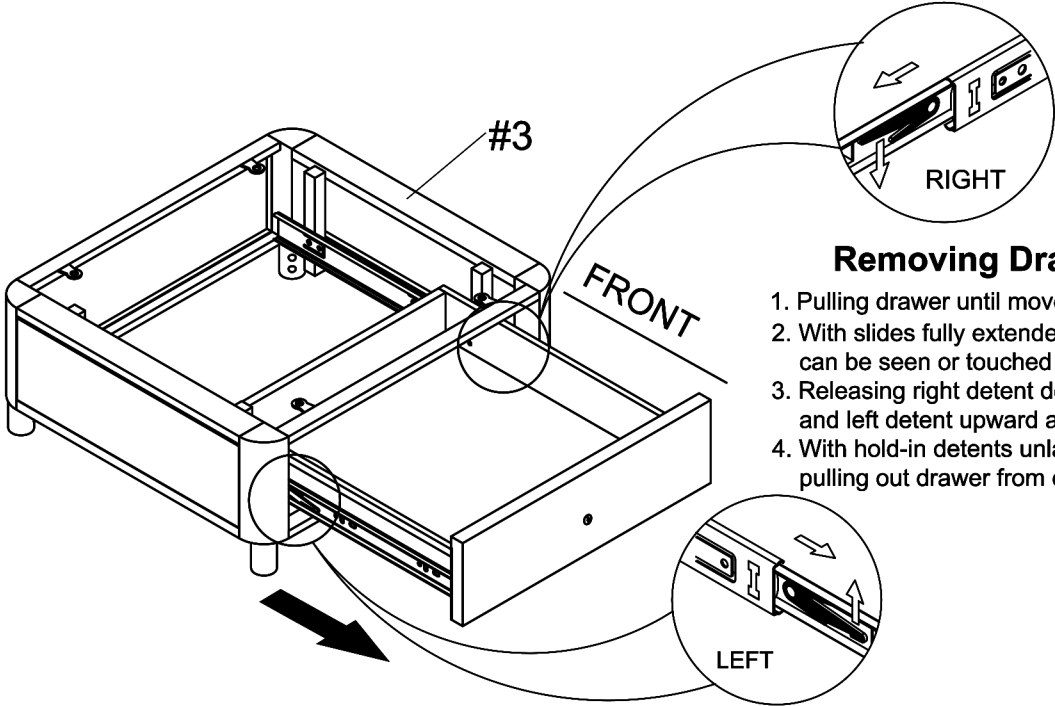
Exploded View



ASSEMBLY

Do not fully tighten all bolts until assembly is complete. This will help all parts to assemble properly.

If drawer removal is needed when assembling any component, processing steps of "Removing Drawer" first.



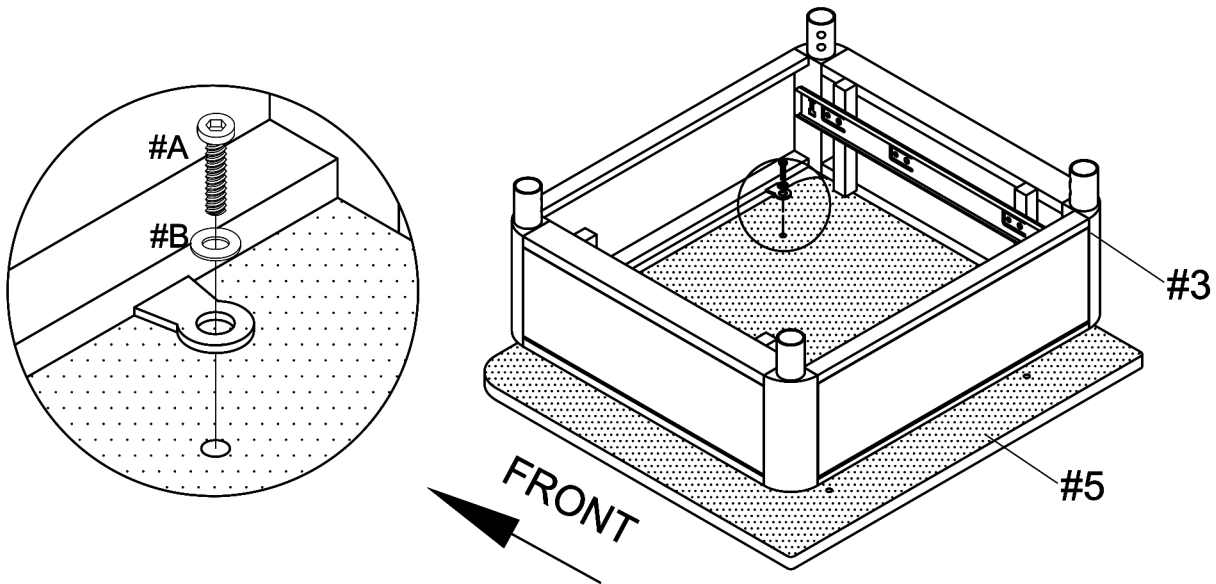
Removing Drawers

1. Pulling drawer until movement stopped.
2. With slides fully extended, a hold-in detent can be seen or touched on slide runners.
3. Releasing right detent downward, and left detent upward at the same time.
4. With hold-in detents unlatched, pulling out drawer from cabinet.



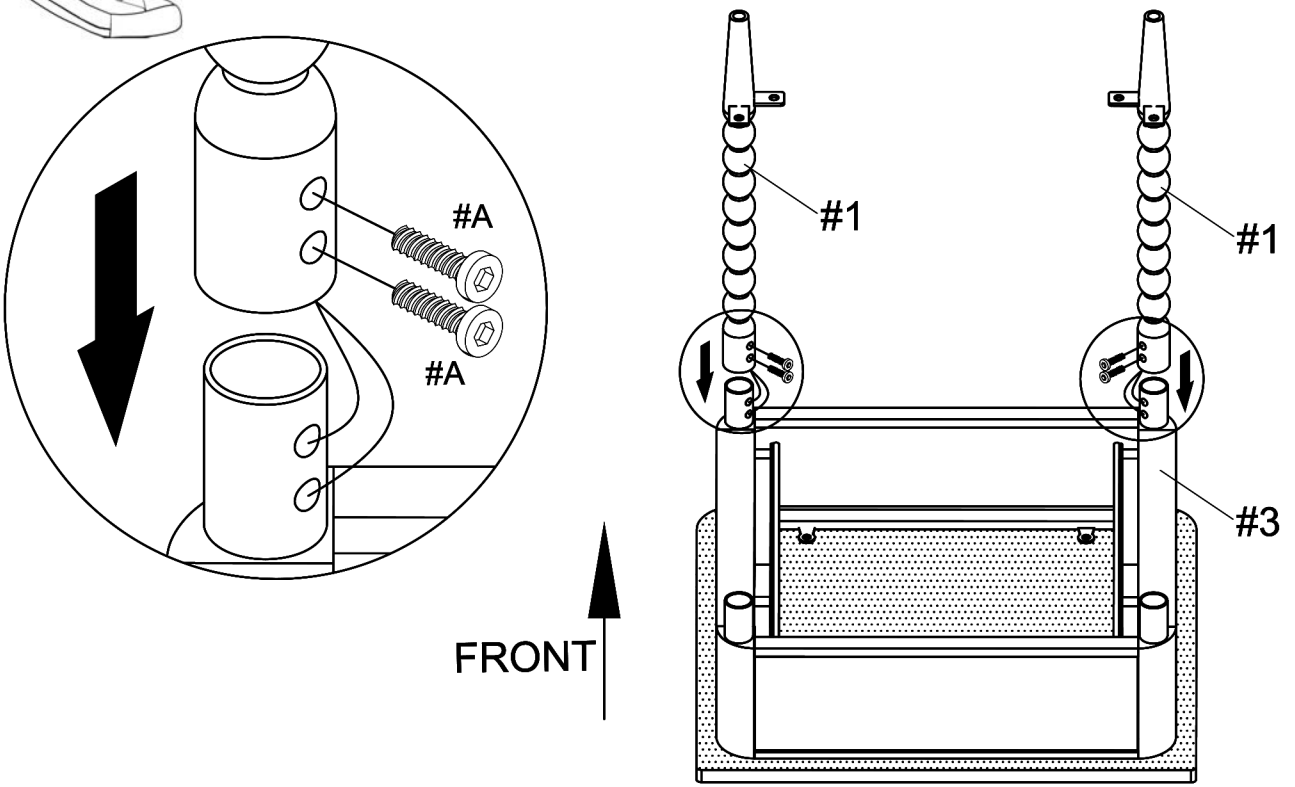
Prepare 4 bolts assembly by inserting washer (#B) onto bolts (#A).
Align drawer frame (#3) to the holes of the top panel (#5). Secure
by using bolts (#A).

#A		4PCS
#B		4PCS
#D		



Align from legs (#1) to the front holes of the drawer frame (#3),
then secure by using bolts (#A).

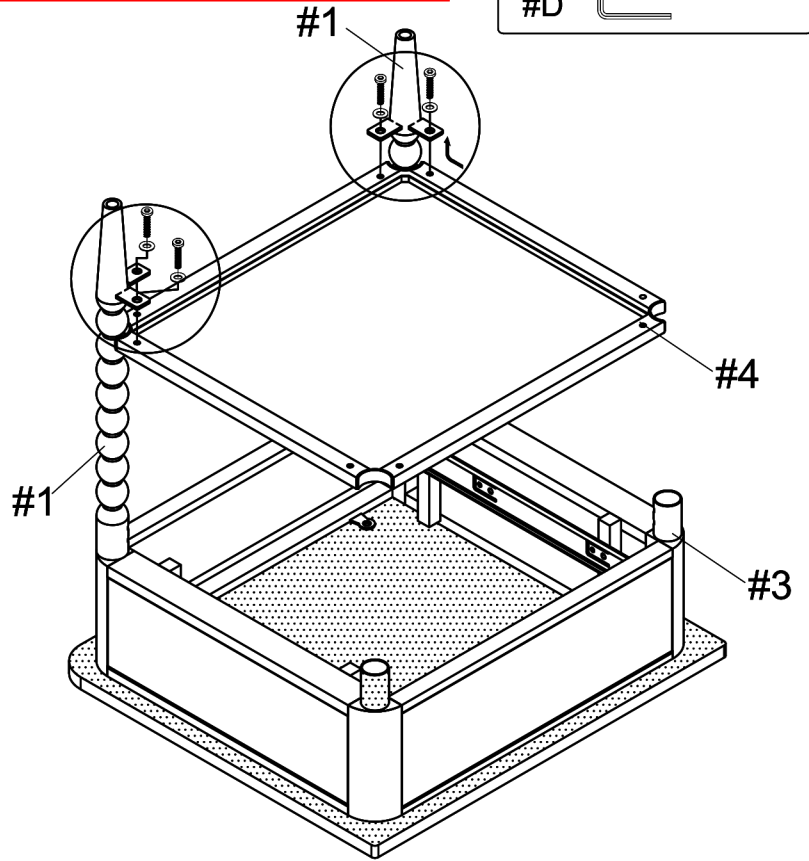
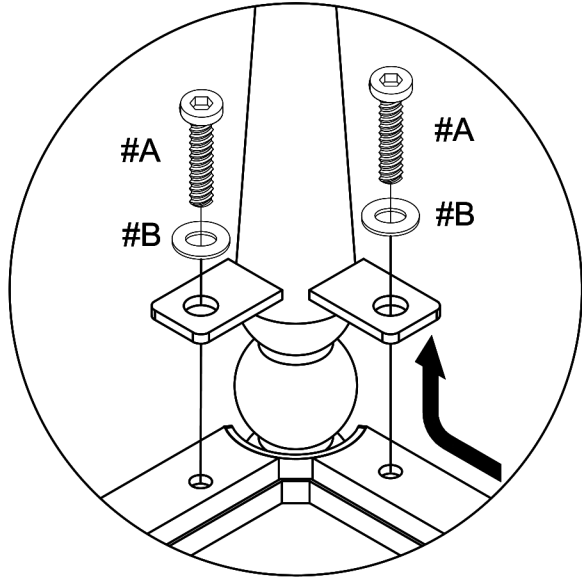
#A		4PCS
#D		





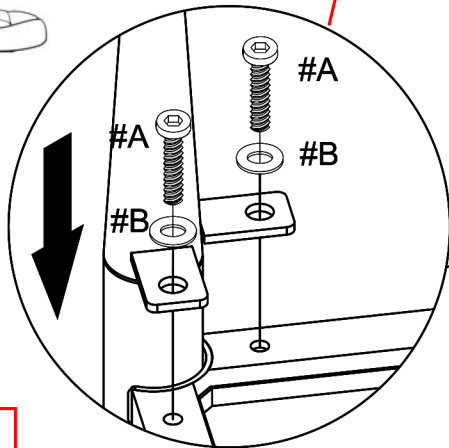
Prepare 4 bolts assembly by inserting washer (#B) onto bolts (#A). Align bottom shelf (#4) to the holes of the front legs (#1). Secure by using bolts (#A).

#A		4PCS
#B		4PCS
#D		

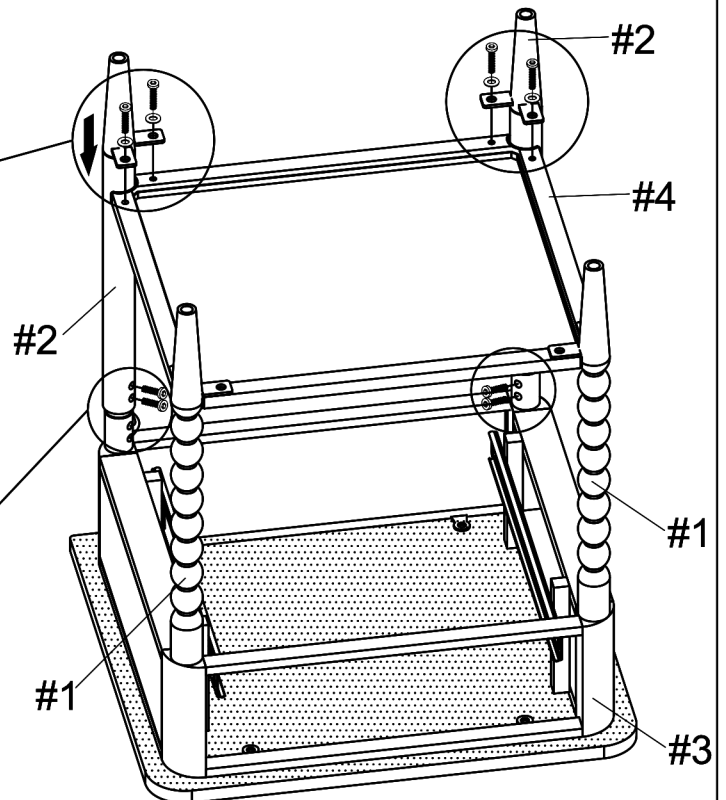
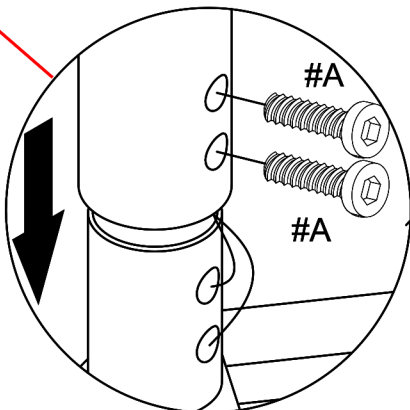


1) Prepare 4 bolts assembly by inserting washer (#B) onto bolts (#A). Align back legs (#2) to the holes of the bottom shelf (#4), then secure by using bolts (#A).

#A		8PCS
#B		4PCS
#D		

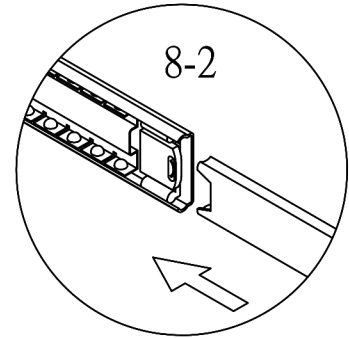
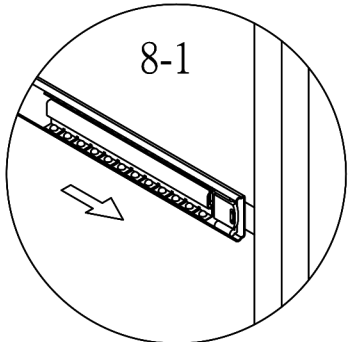
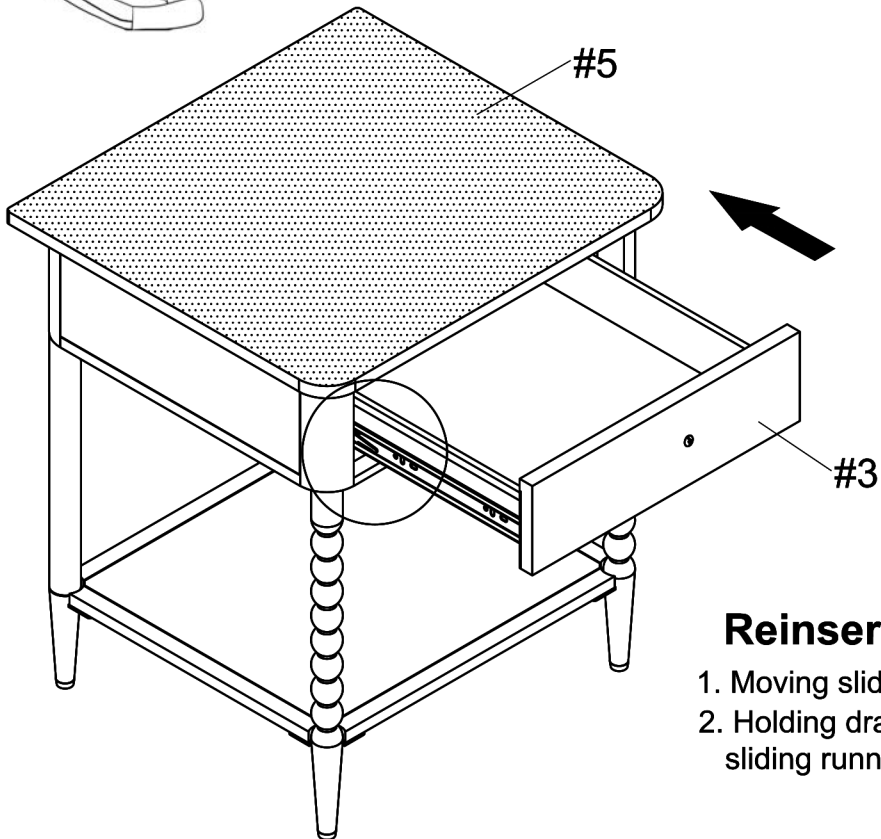
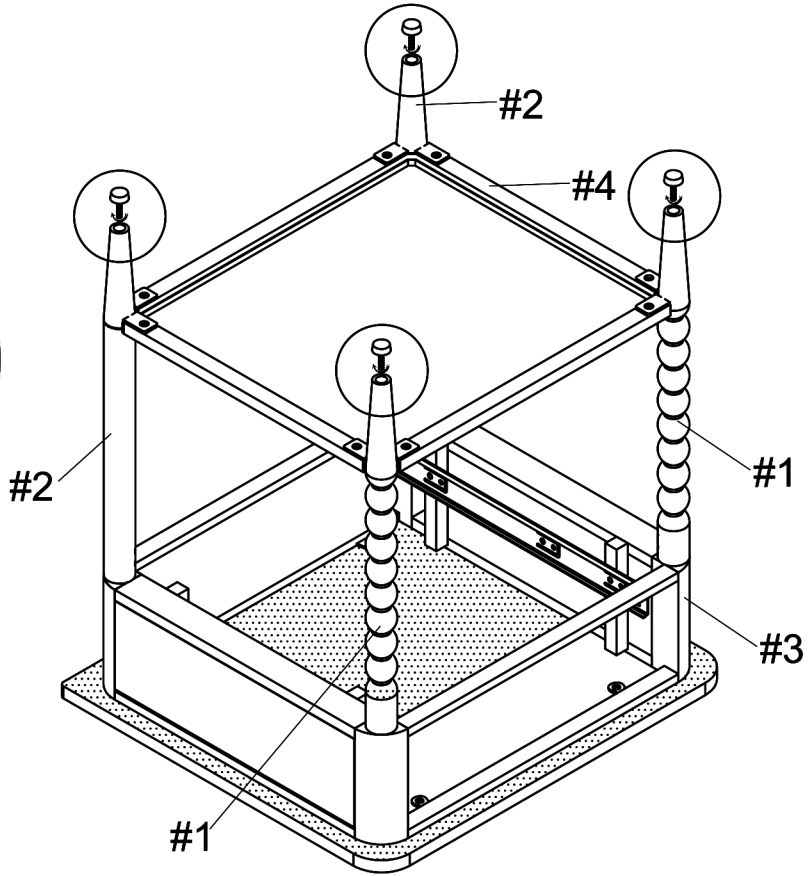
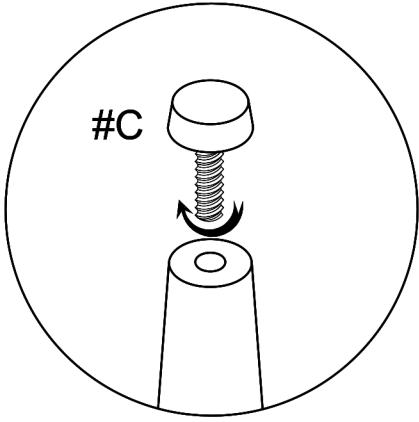
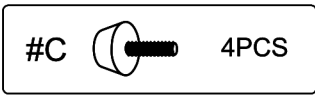


2) Align back legs (#2) to the holes of the drawer frame (#3), then secure by using bolts (#A).





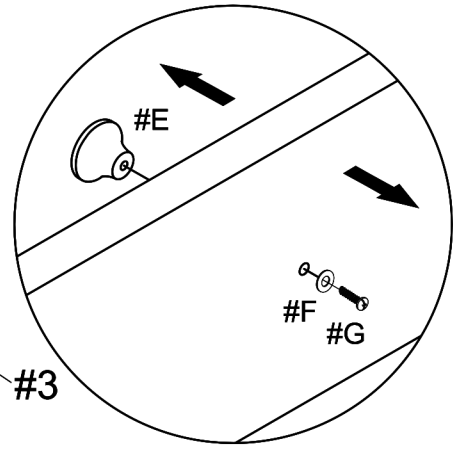
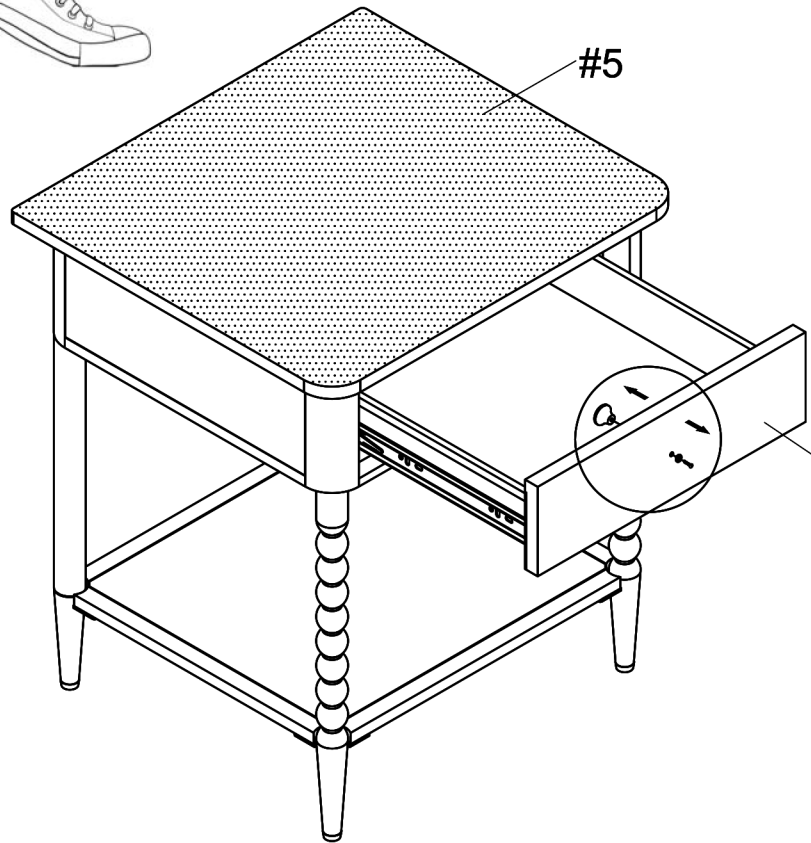
Align and attach leveler (#C) onto the legs (#1,2). Adjust levelers (#C) according to ground level.



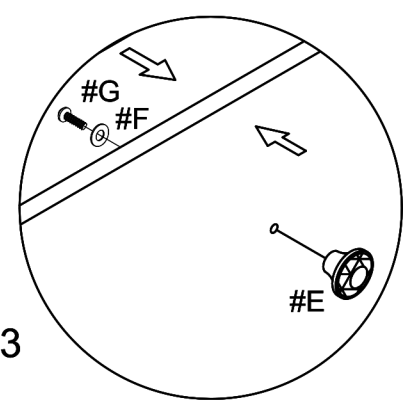
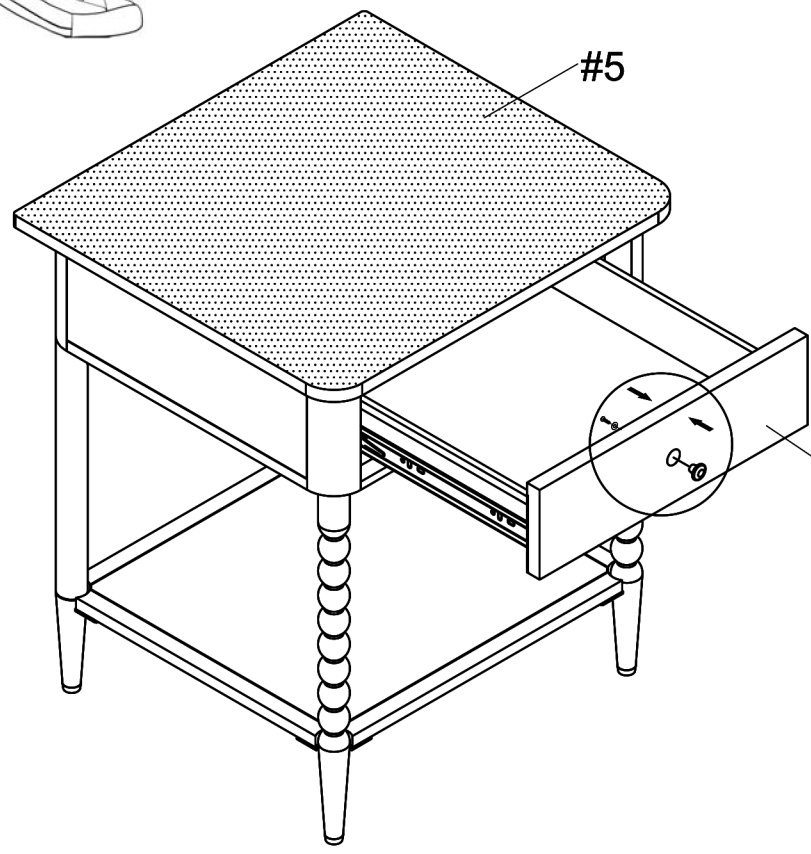
Reinserting Drawers

1. Moving slide ball spacers to front.
2. Holding drawer vertically, and sliding runners into ball spacers.

Unscrew the knob inside of the drawer.



Reattach the knob to the outside of the drawer.



ASSEMBLY COMPLETED

