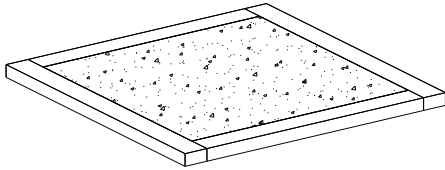
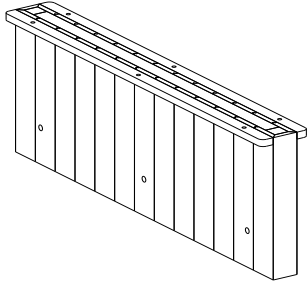
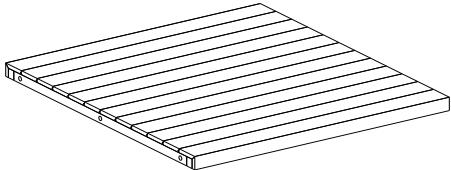
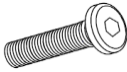
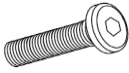
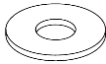
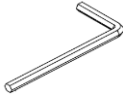


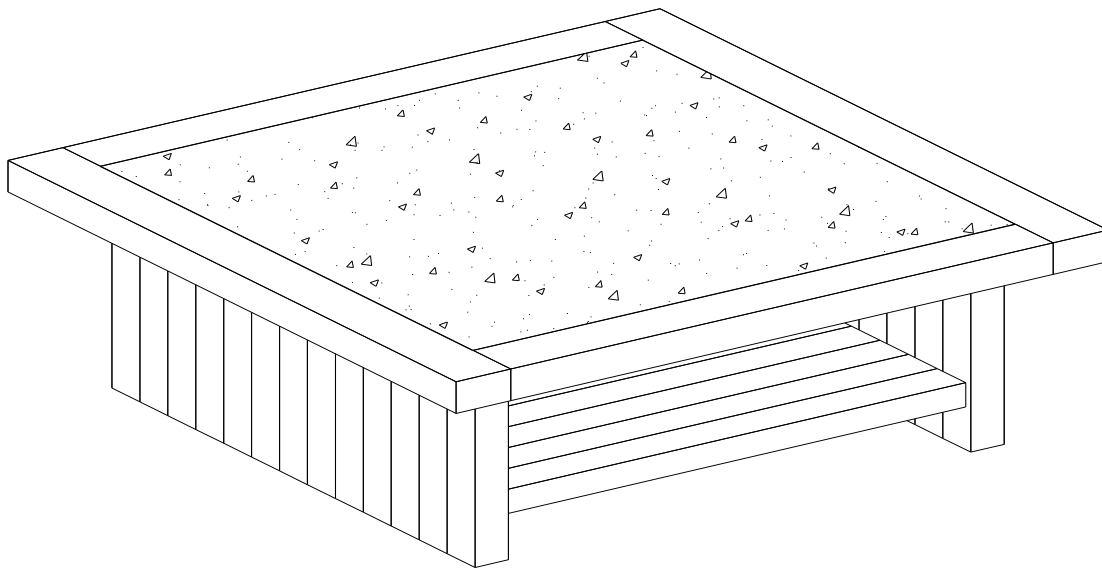
# ASSEMBLY INSTRUCTIONS

SKU# 51031134

## PARTS LIST

A	TABLE TOP X 1		<p><b>Before beginning</b></p> <p>1 - Carefully unpack and position the item on a clean, non-marring surface to assemble.</p> <p>2 - Read this Assembly Instructions from beginning to end before starting to assemble.</p> <p>3 - Take an inventory of the required parts to ensure all are available.</p> <p>4 - To prevent accidental choking hazards, keep all packing materials away from small children.</p> <p>5 - Only tighten hardware until ALL hardware are fully engaged on their locations. Overtighten bolts will damage the bolt threads.</p> <p>6 - Use only factory provided hardware to assemble. Unapproved hardware can damage product or jeopardize the structural integrity of the product.</p> <p>7 - The use of power tool to assemble is not recommended due to high risk of over-torque, which can damage the product.</p>						
B	LEGS X 2								
C	SHELF X 1								

Z	HARDWARE	<p><b>Z1</b></p>  <p>8X50MM X 6</p>	<p><b>Z2</b></p>  <p>8X40MM X 12</p>	<p><b>Z3</b></p>  <p>8X16X1,5MM X 18</p>	<p><b>Z4</b></p>  <p>4X59MM X 1</p>				
---	----------	--	---	---	--	--	--	--	--

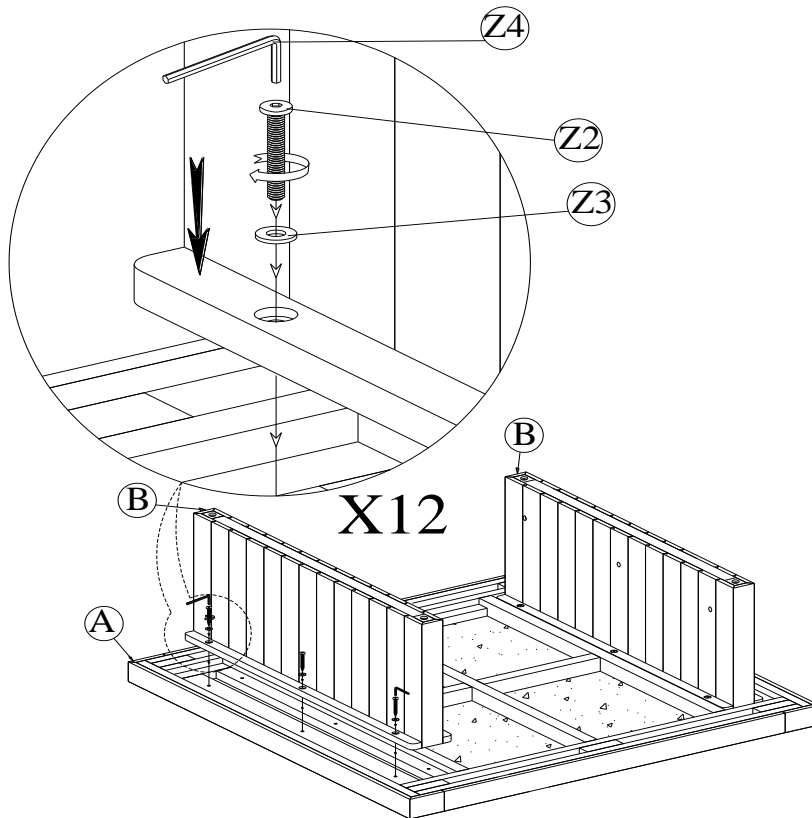


	<p>ASSEMBLY REQUIRES TWO PEOPLE</p>	 <p>15-MINUTE ASSEMBLY TIME</p>		<p>KEEP INSTRUCTIONS FOR FUTURE USE</p>	
--	---	--	---	---	---

# ASSEMBLY INSTRUCTIONS

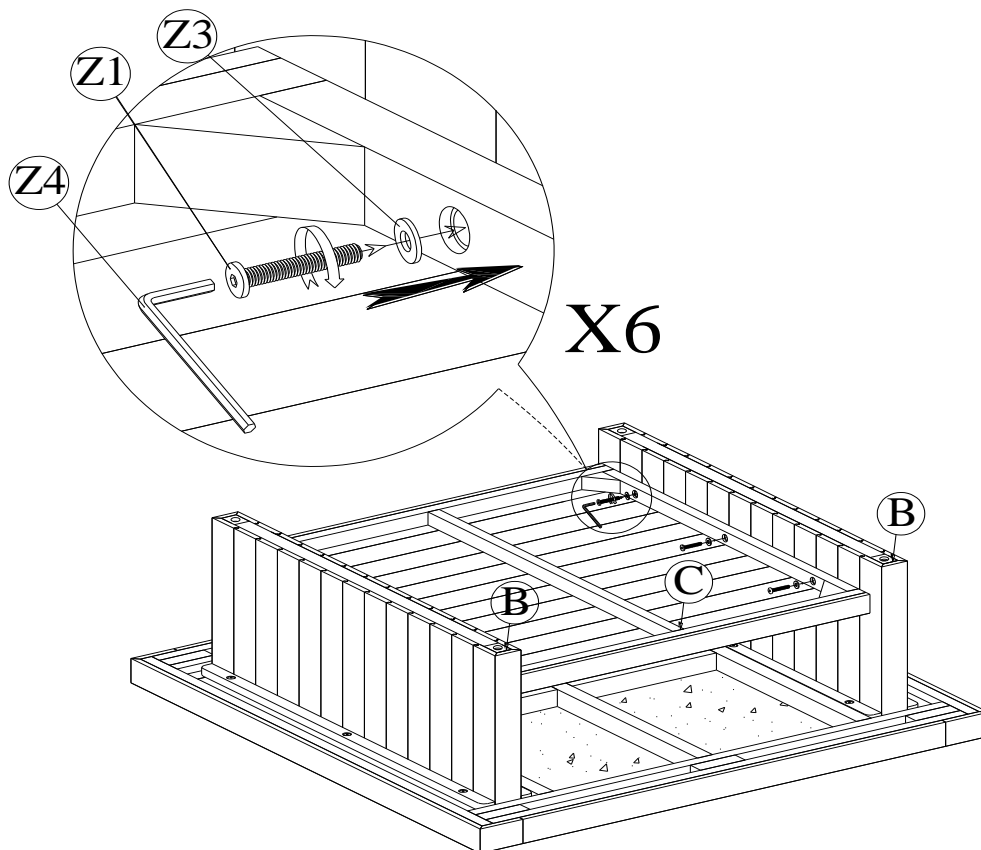
SKU# 51031134

1



- Assemble one the Legs (B) into the Table Top (A) by using Allen Key (Z4) to tighten Bolts (Z2) and Washers (Z3).

2

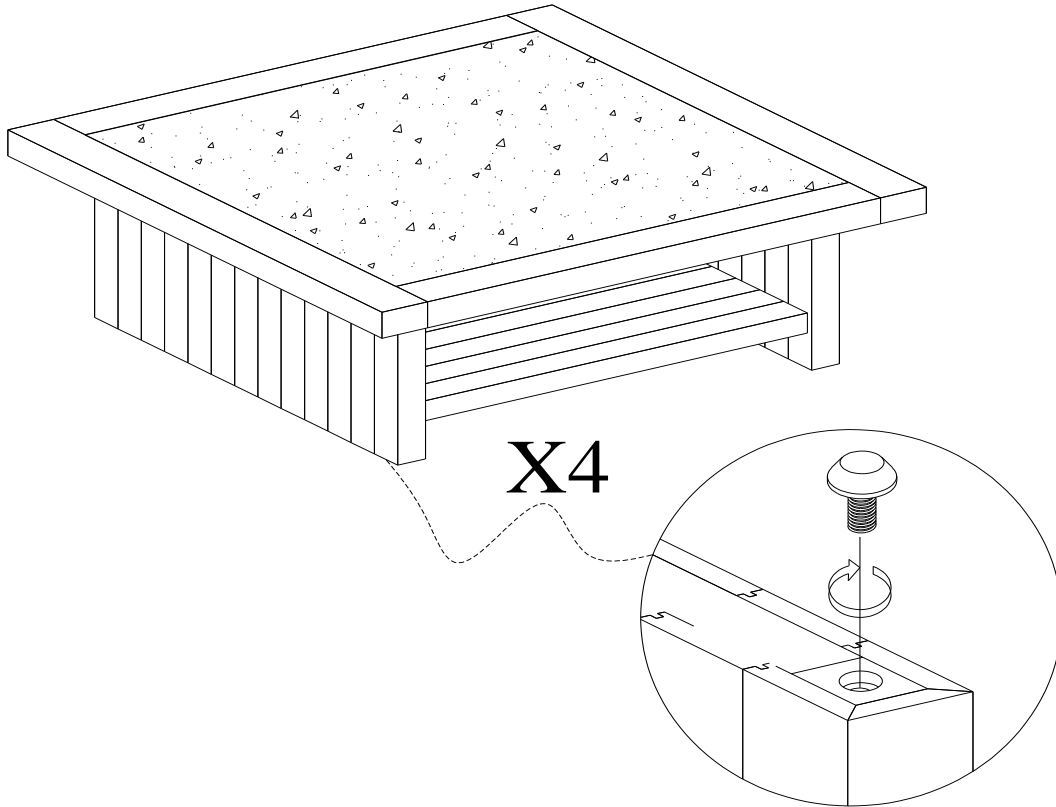


- Assemble the Shelf (C) to the Leg (B) by using Allen Key (Z4) to tighten Bolts (Z1) and Washers (Z3).

# ASSEMBLY INSTRUCTIONS

SKU# 51031134

3



X4

- With two people carefully turn the table over and stand on its legs.
- If the Table doesn't sit level, please adjust the Adjustable Bolts under the Legs.
- Completed item.