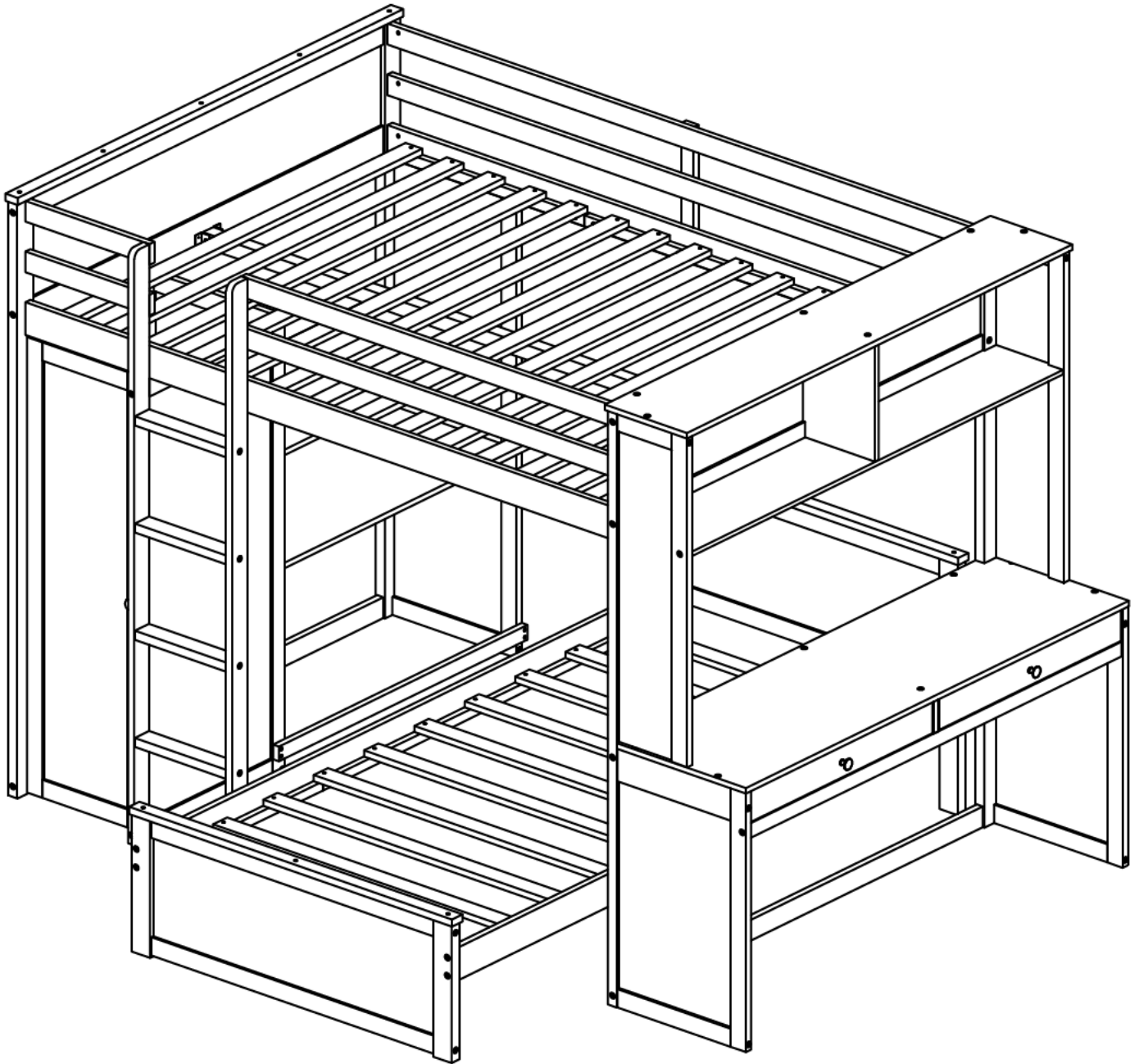


ASSEMBLY INSTRUCTION



! SAFETY WARNINGS !

1. This bed is designed for use only mattress (es) meeting the following specifications on the upper bunk, and lower bunk

Upper bed

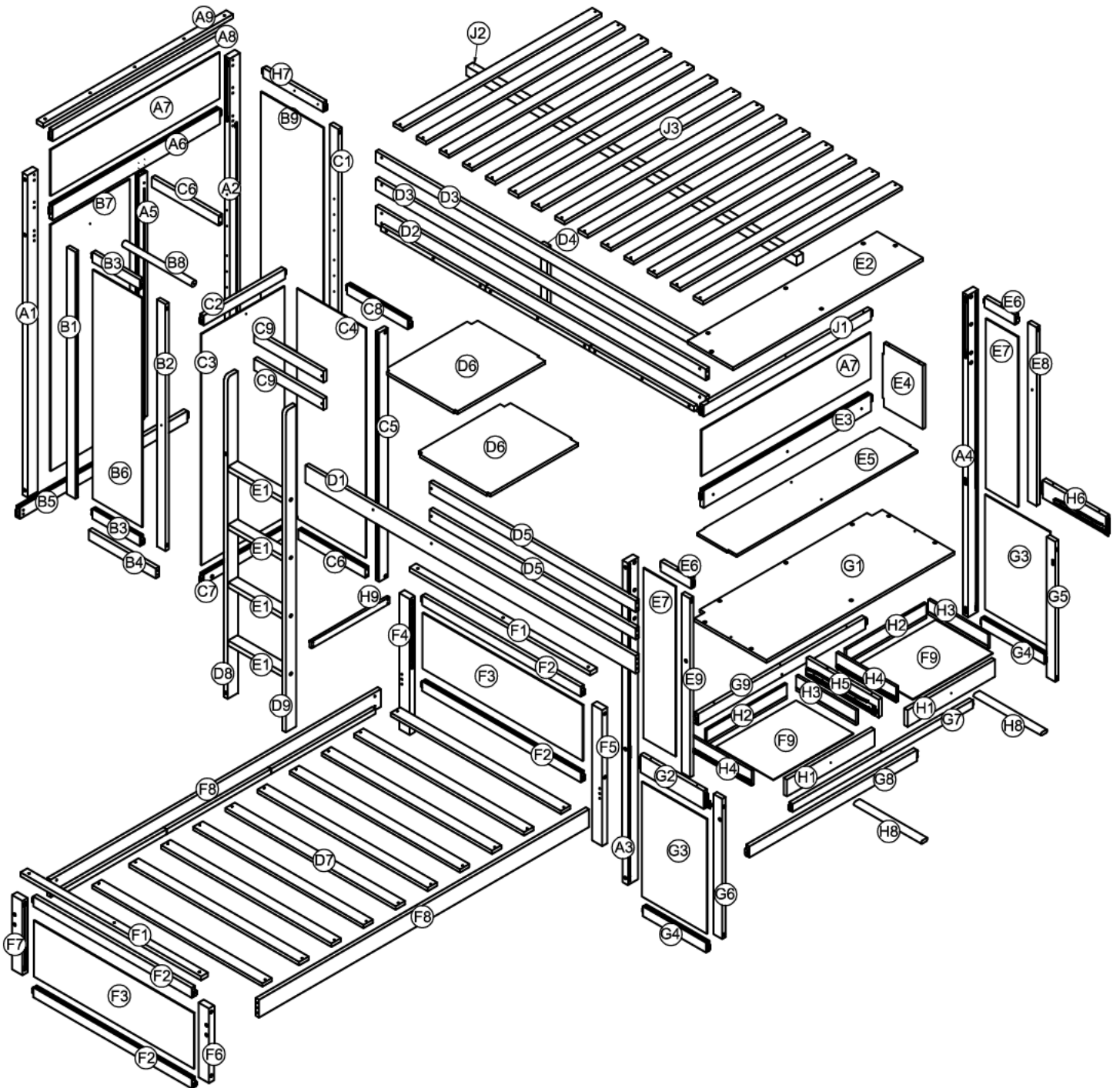
Bed Type	Length	Width	Thickness
<i>Full Standard</i>	<i>74" - 75"</i>	<i>53 1/2"</i>	<i>6" max</i>

Lower bed

Bed Type	Length	Width	Thickness
<i>Twin Standard</i>	<i>74" - 75"</i>	<i>38 1/2"</i>	<i>8" max</i>

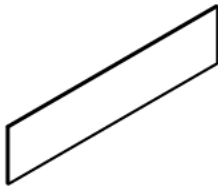
2. Replacement parts, including additional guardrails.
3. Follow the information on the warnings appearing on the upper bunk bed end structure and on the carton. Do not remove warning label from bed
4. Always use the recommended size mattresses or mattress supports, or both, to help prevent the likelihood of entrapment or falls.
5. Surface of mattress must be at least 5" (127mm) below the upper edge of guardrails
6. Do not allow children under 6 years of age to use the upper bunk.
7. Periodically check and ensure that the guardrail, ladder, and other components are in their proper position, free from damage, and that all connectors are tight.
8. Do not allow horseplay on or under the bed and prohibit jumping on the bed.
9. Always use the ladder for entering and leaving the upper bunk **Always use the ladder for entering and leaving the upper bunk.**
10. Do not use substitute part. Contact the manufacture or dealer for replacement part
11. Use of a night light may provide added safety precaution for a child using the upper bunk..
12. Always use guardrails on both long sides of the upper bunk. If the bunk bed will be placed next to the wall, the guardrail that runs the full length of the bed should be placed against the wall to prevent entrapment between the bed and wall.
13. The use of water or sleep flotation mattresses is prohibited
14. **STRANGULATION HAZARD** - Never attach or hang items to any part of the bunk bed that are not designed for use with the bed; for example, but not limited to, hook, belts and jump ropes
15. Keep these instruction for future reference
16. Prohibit more than one person on upper bunk
17. We recommend assembling your bunk bed on the shipping carton to protect your floor or carpet
18. Be certain all staples are out of the box before beginning assembly on the shipping carton.

ASSEMBLY INSTRUCTION



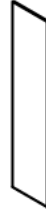
Part List

A7



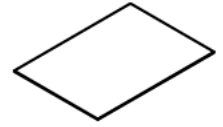
Panel-2pcs

E7



Panel-2pcs

F9



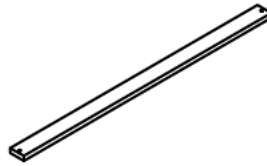
Panel-2pc

G3



Panel-2pcs

J3



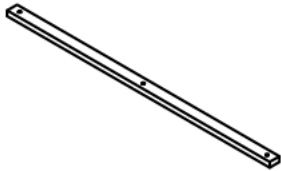
Slats-14pcs

C1



WoodBar-1pc

F1



WoodBar-2pcs

A5



WoodBar-1pc

A6



WoodBar-1pc

A8



WoodBar-1pc

B1



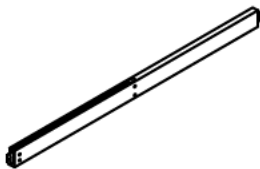
WoodBar-1pc

B2



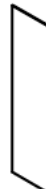
WoodBar-1pc

B5



WoodBar-1pc

B6



Panel-1pc

B7



Panel-1pc

B9



Panel-1pc

C3



Panel-1pc

C4



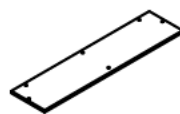
Panel-1pc

C5



WoodBar-1pc

E2



Panel-1pc

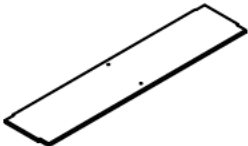
E3



WoodBar-1pc

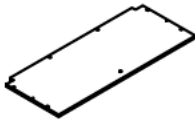
Part List

E5



Panel-1pc

G1



Panel-1pc

G8



WoodBar-1pc

G9




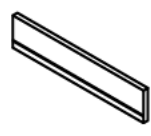
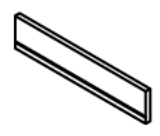




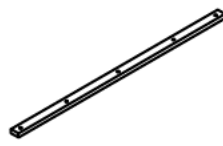

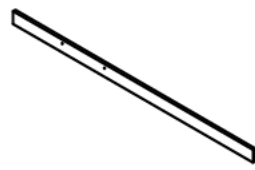


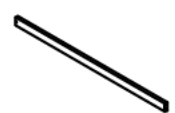



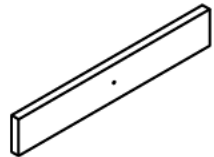


WoodBar-1pc

J1



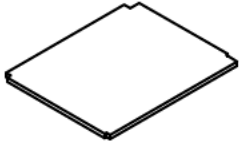
WoodBar-1pc

Part List & Hardware List

<p>H2</p>  <p>Drawer Left-2pcs</p>	<p>H3</p>  <p>Drawer Right-2pcs</p>	<p>H4</p>  <p>Drawer Rear-2pcs</p>
<p>A1</p>  <p>Leg-1pc</p>	<p>A2</p>  <p>Leg-1pc</p>	<p>A3</p>  <p>Leg-1pc</p>
<p>A4</p>  <p>Leg-1pc</p>	<p>A9</p>  <p>WoodBar-1pc</p>	<p>D4</p>  <p>WoodBar-1pc</p>
<p>D1</p>  <p>Side Rail-1pc</p>	<p>D2</p>  <p>Side Rail-1pc</p>	<p>D3</p>  <p>WoodBar-2pcs</p>
<p>D5</p>  <p>WoodBar-2pcs</p>	<p>D8</p>  <p>WoodBar-1pc</p>	<p>D9</p>  <p>WoodBar-1pc</p>
<p>F8</p>  <p>Side Rail-2pcs</p>	<p>H1</p>  <p>Drawer front panels-2pcs</p>	<p>J2</p>  <p>WoodBar-1pc</p>
<p>G7</p>  <p>WoodBar-1pc</p>		

Part List

D6



Panel-2pcs

D7



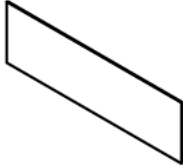
Slats-10pcs

E4



Panel-1pc

F3



Panel-2pcs

F4



Leg-1pc

F5



Leg-1pc

F6



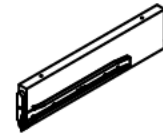
Leg-1pc

F7



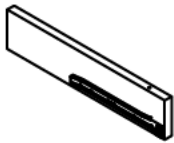
Leg-1pc

G2



WoodBar-1pc

H5



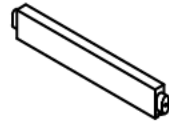
WoodBar-1pc

H6



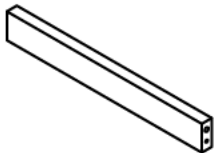
WoodBar-1pc

B3



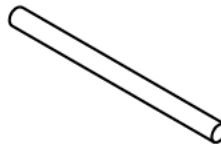
WoodBar-2pcs

B4



WoodBar-1pc

B8



WoodBar-1pc

C2



WoodBar-1pc

C6



WoodBar-2pcs

C7



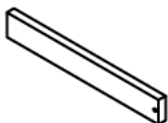
WoodBar-1pc

C8



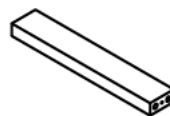
WoodBar-1pc

C9



WoodBar-2pcs

E1



WoodBar-4pcs

E6



WoodBar-2pcs

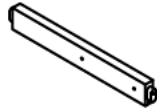
Part List

G4



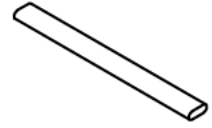
WoodBar-2pcs

H7



WoodBar-1pc

H8



WoodBar-2pcs

H9



WoodBar-1pc

E8



WoodBar-1pc

E9



WoodBar-1pc

F2



WoodBar-4pcs

G5



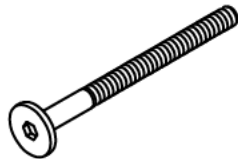







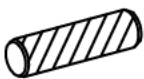
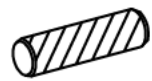









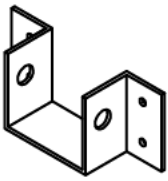

WoodBar-1pc

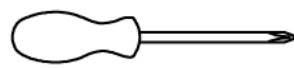
G6



WoodBar-1pc



Hardware List

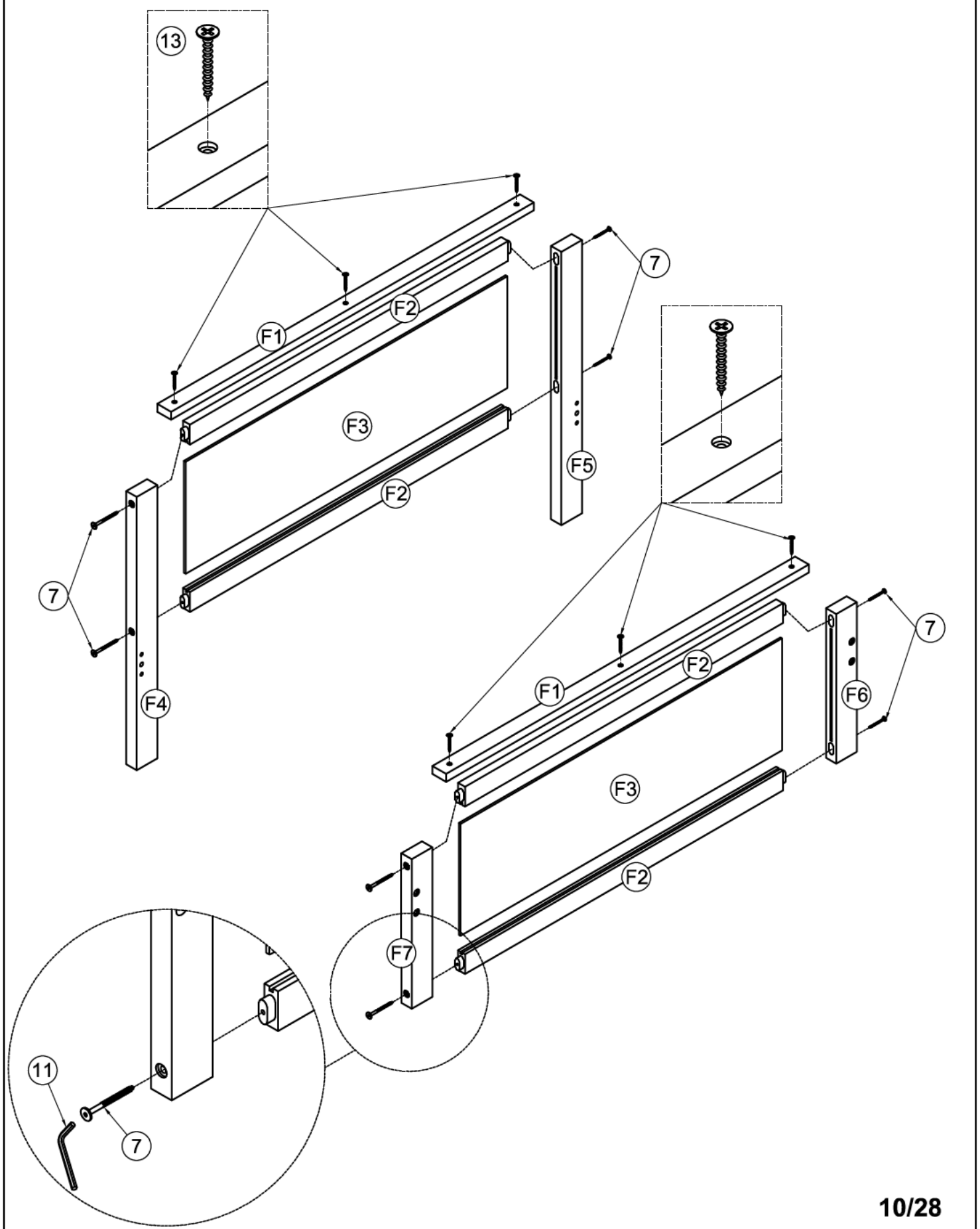
<p>1</p>  <p>Ø1/4" x 80 mm Hex-Head bolts 24pcs</p>	<p>2</p>  <p>Ø1/4" x 30 mm Hex-Head bolts 7pcs</p>	<p>3</p>  <p>Screws 1/4" x30 15pcs</p>
<p>4</p>  <p>M4 x 15 mm Wood Screws 4pcs</p>	<p>5</p>  <p>Screws 1/4" x50 31pcs</p>	<p>6</p>  <p>Screws 1/4" x70 14pcs</p>
<p>7</p>  <p>Screws 1/4" x80 24pcs</p>	<p>8</p>  <p>Ø1/4" x 13 mm Horizontal-Hole bolts 24pcs</p>	<p>9</p>  <p>Ø10 x 40 mm Wood dowel 32pcs</p>
<p>10</p>  <p>Ø8 x 30 mm Wood dowel 11pcs</p>	<p>11</p>  <p>Allen Key 1pc</p>	<p>12</p>  <p>Door Catches 45x17x13 2pcs</p>
<p>13</p>  <p>M4 x 30 mm Wood Screws 77pcs</p>	<p>14</p>  <p>M3 x 15 mm Wood Screws 9pcs</p>	<p>15</p>  <p>M3.5 x 12 mm Wood Screws 8pcs</p>
<p>16</p>  <p>Handle Wood 3pcs</p>	<p>17</p>  <p>M4 x 25 mm Wood Screws 3pcs</p>	<p>18</p>  <p>Dowel Remove Shelves 8pcs</p>
<p>19</p>  <p>M4 x 50 mm Wood Screws 1pc</p>	<p>20</p>  <p>Steel Bracket 2pcs</p>	<p>21</p>  <p>M4 x 20 mm Wood Screws 8pcs</p>






Assembly Tools Required (Not Included)

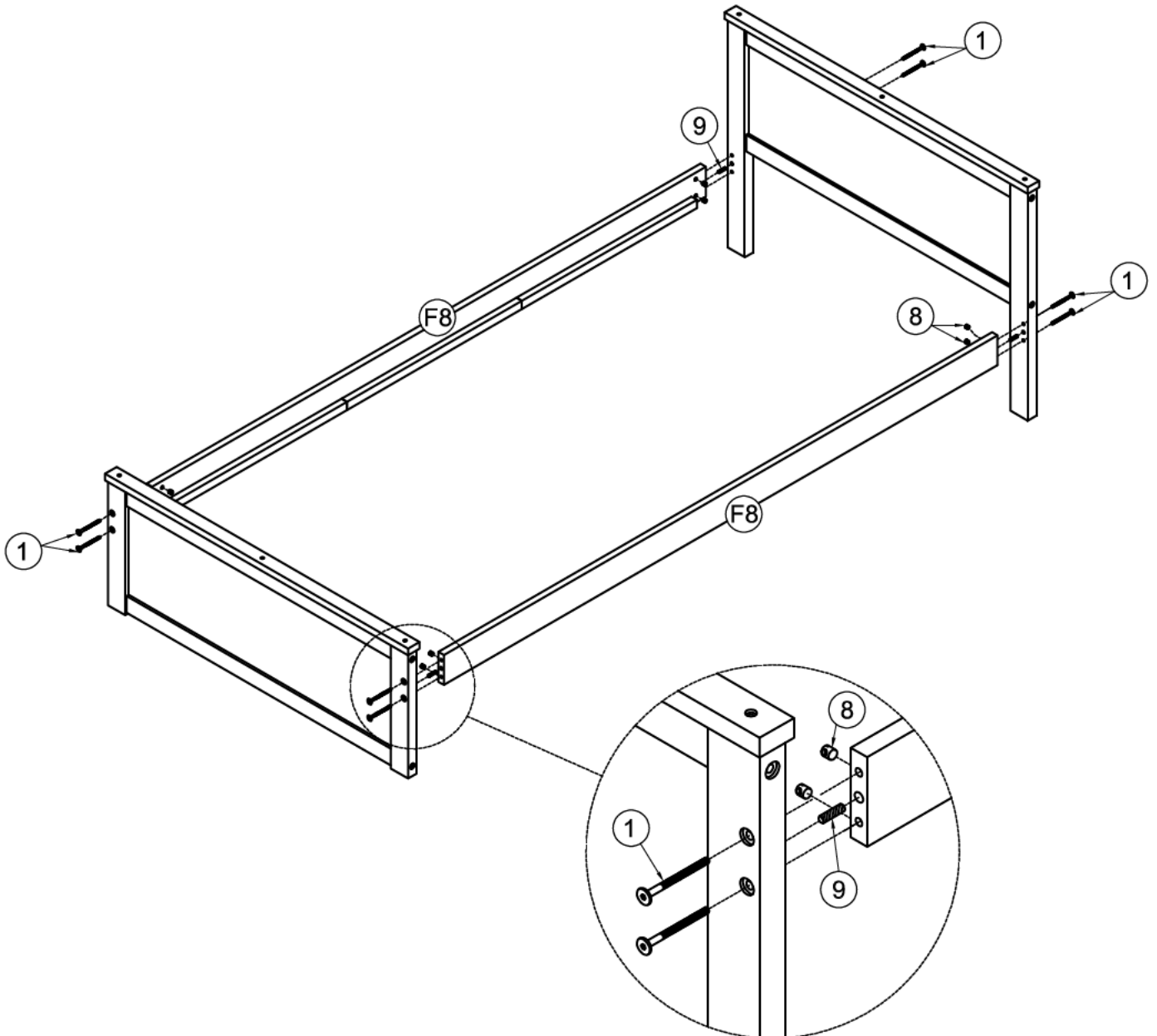
STEP1: Following below illustration.

7	13
	
8(pcs)	6(pcs)



STEP2: Following below illustration.

8		1		9	
8(pcs)		8(pcs)		4(pcs)	

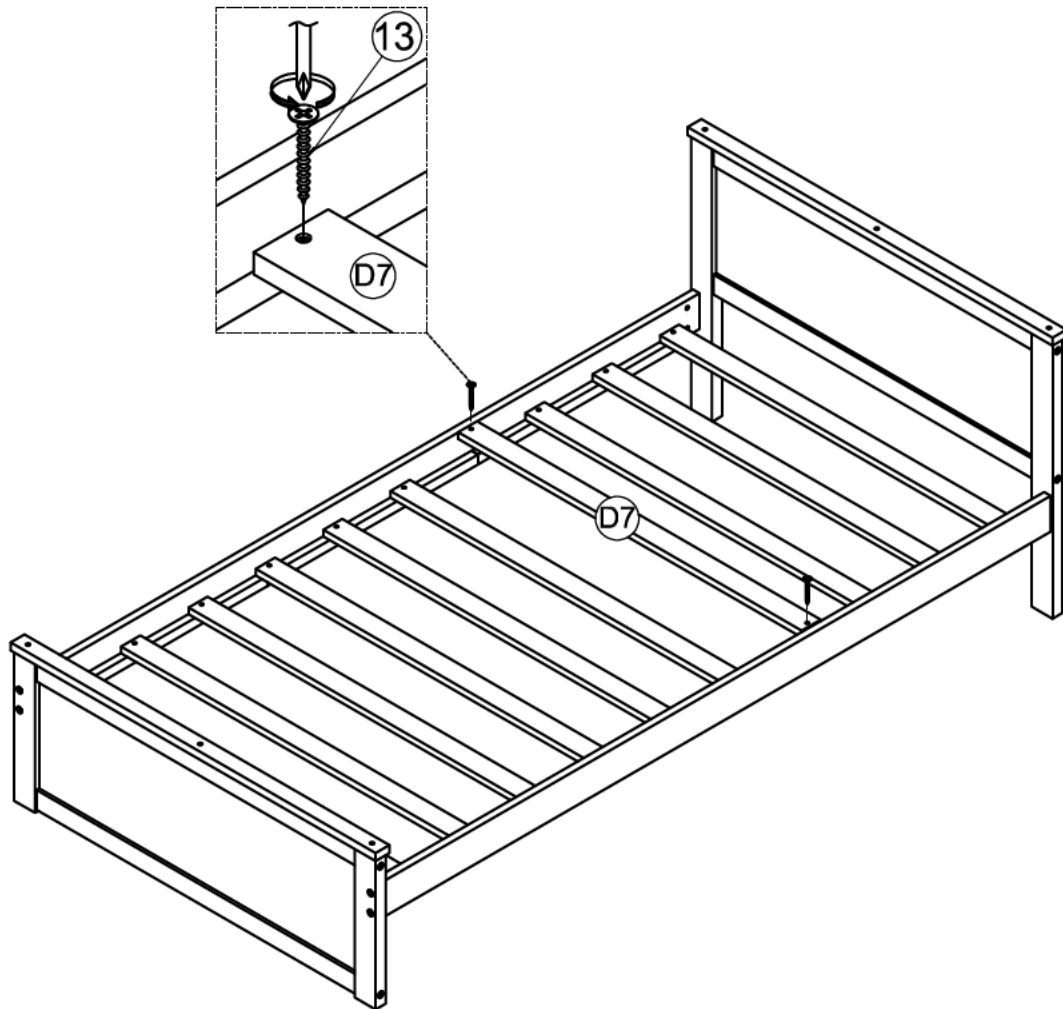


STEP3: Following below illustration.



13

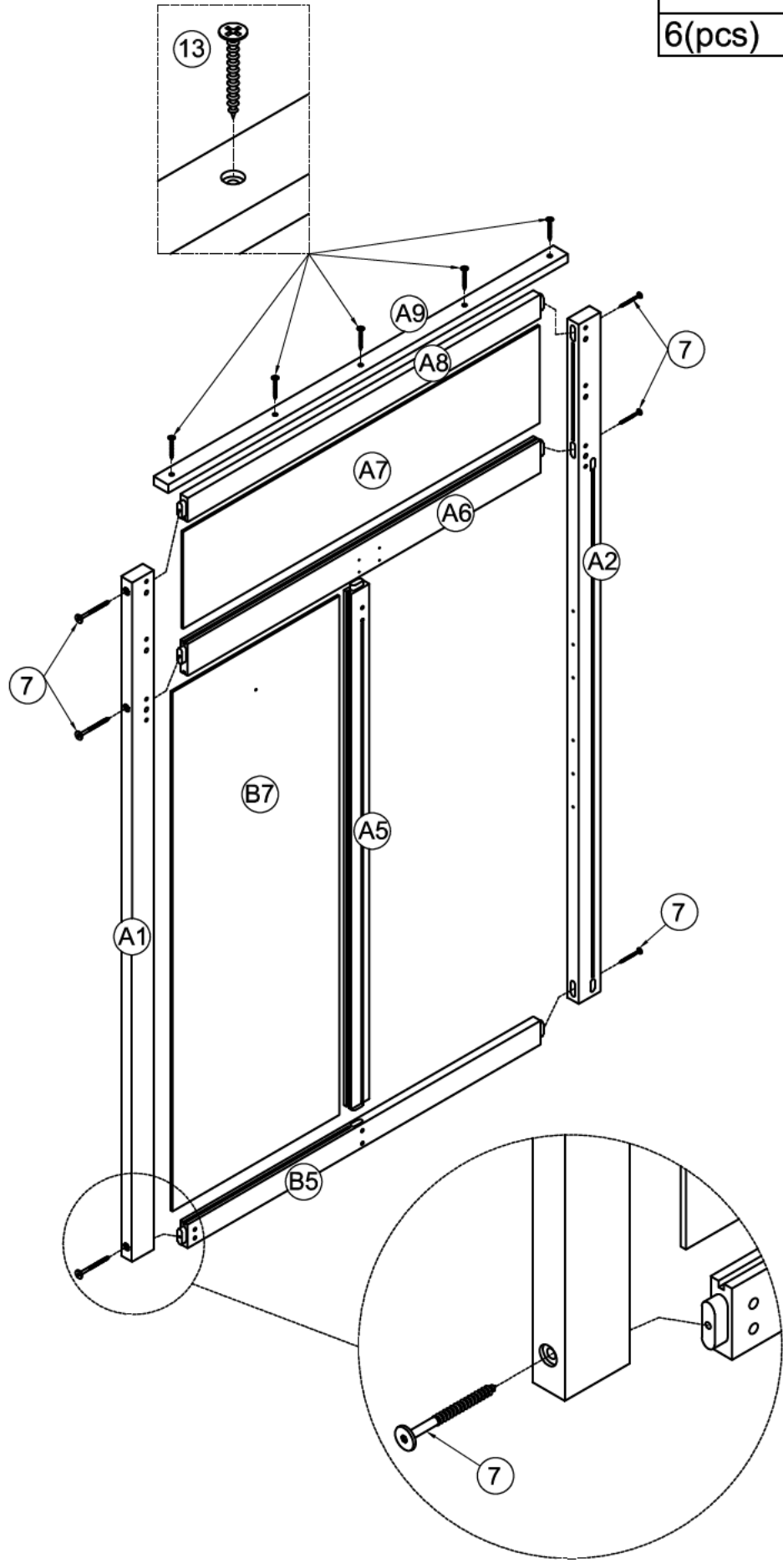


20(pcs)



STEP4: Following below illustration.

7	13
	
6(pcs)	5(pcs)

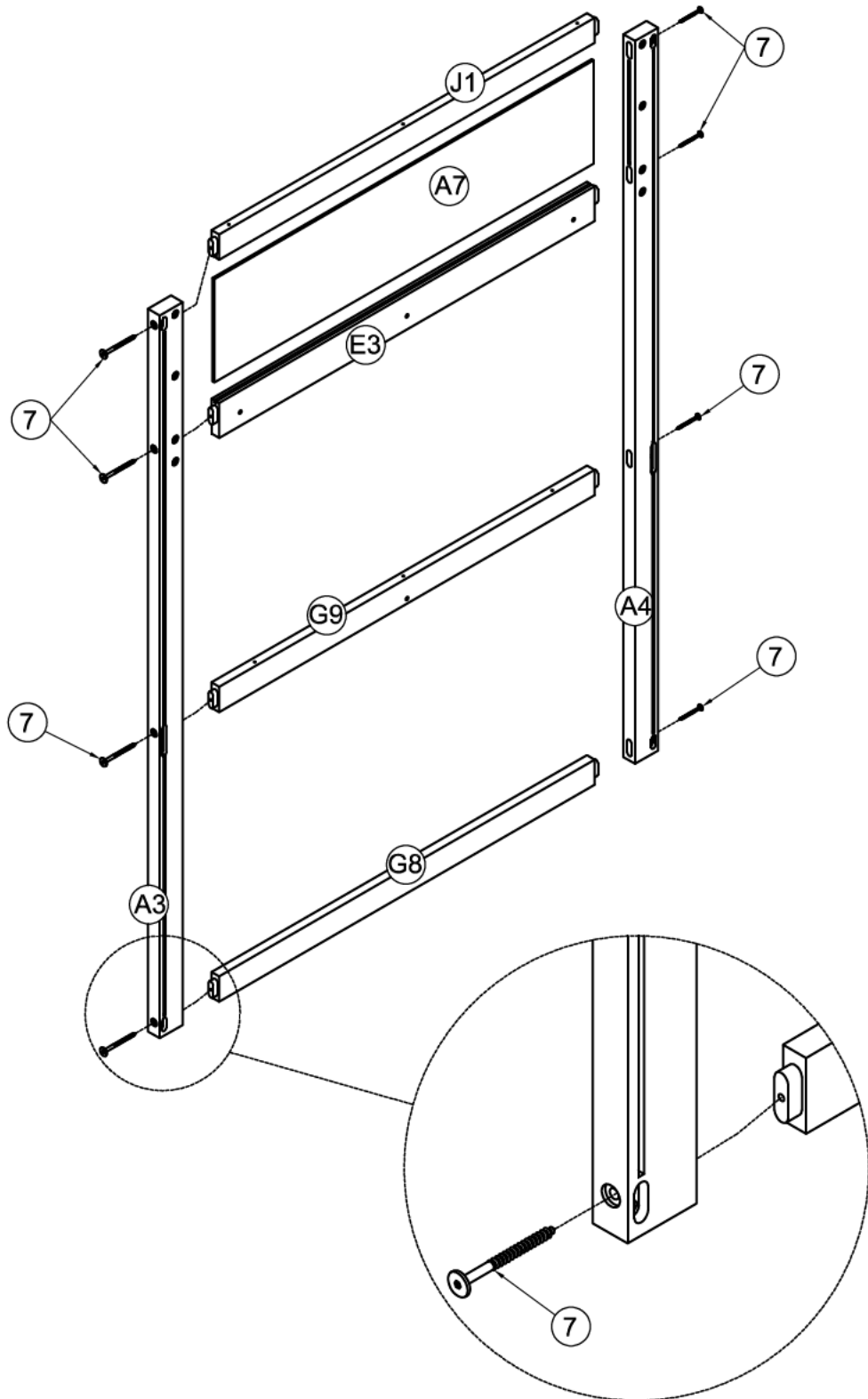


STEP5: Following below illustration.





7

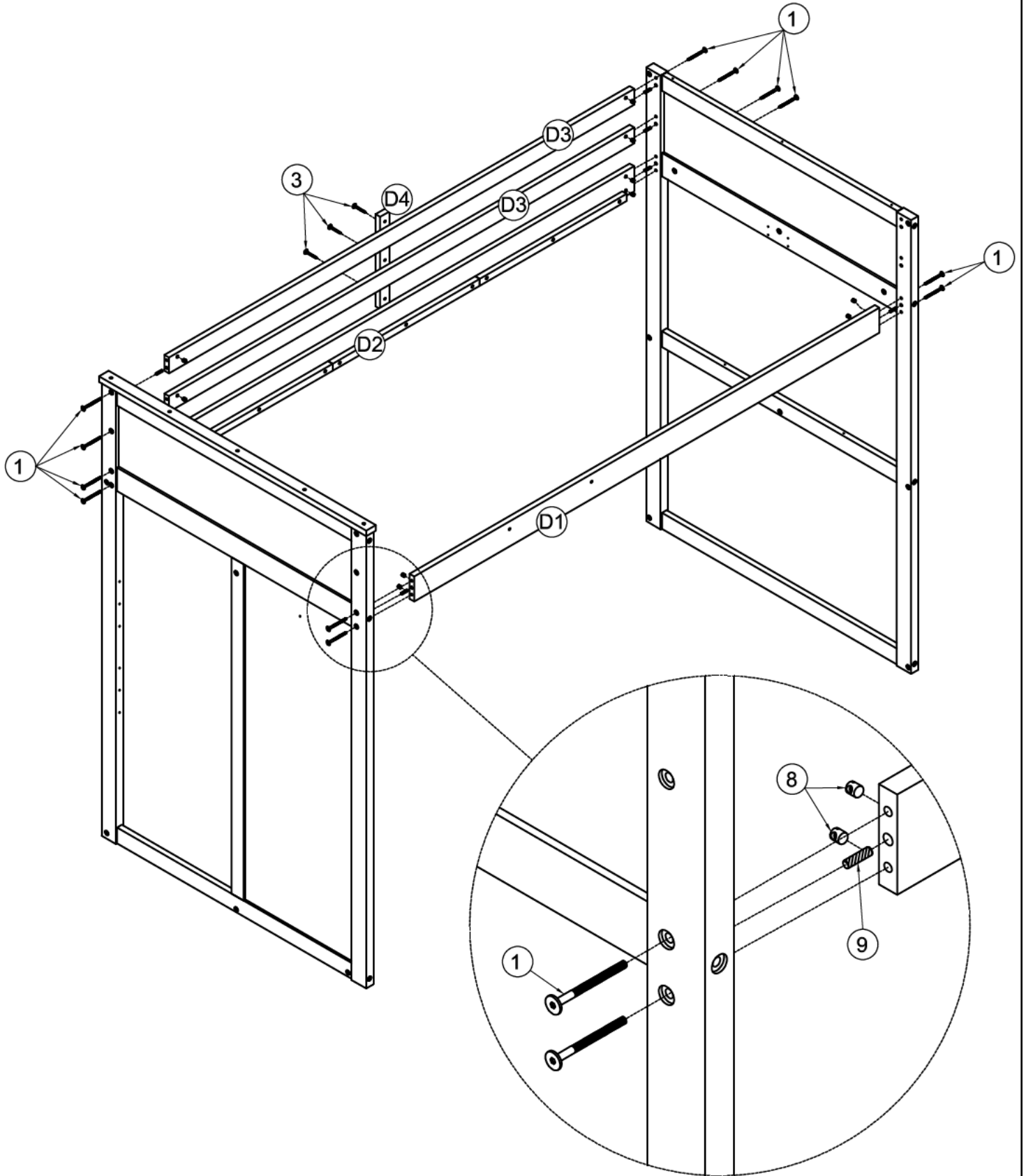


8(pcs)





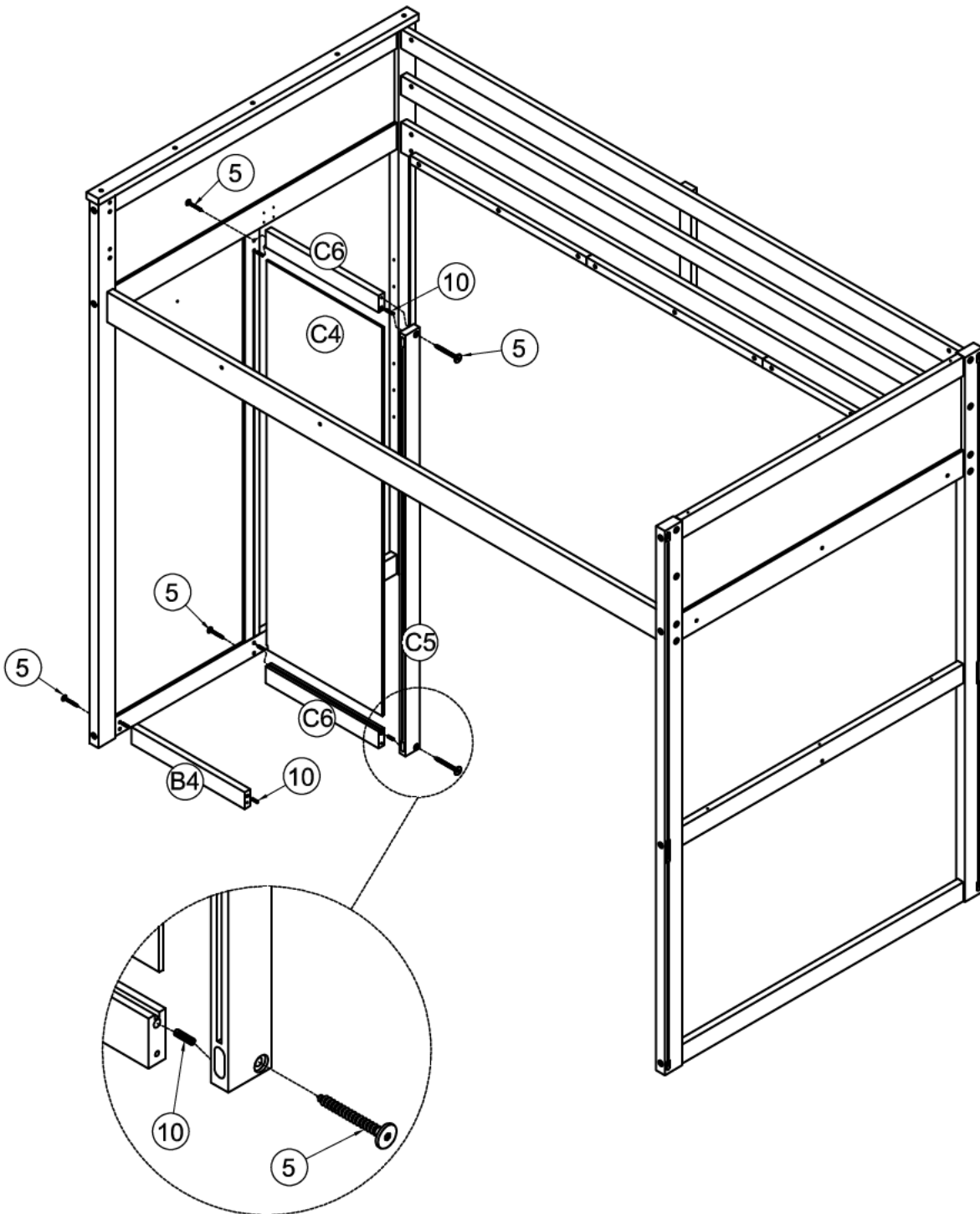
STEP 6: Following below illustration.

3	8	1	9
			
3(pcs)	12(pcs)	12(pcs)	8(pcs)








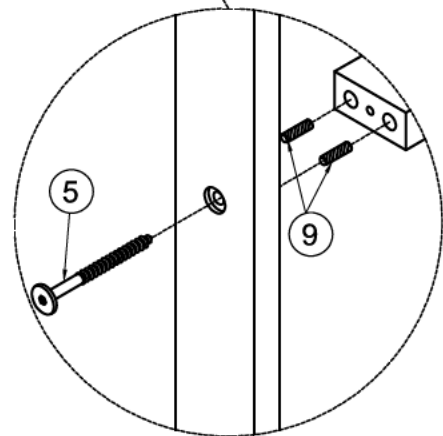
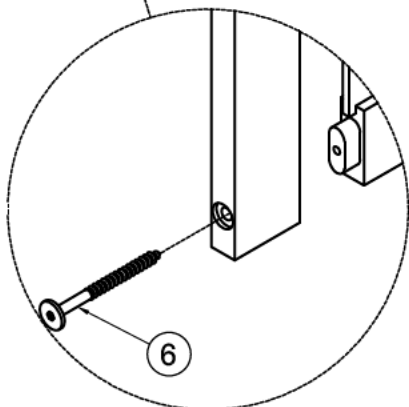
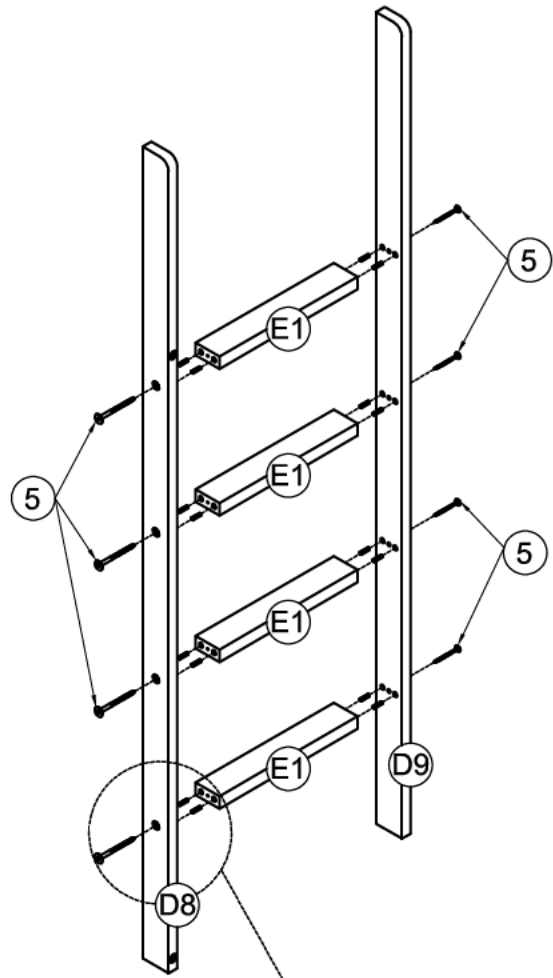
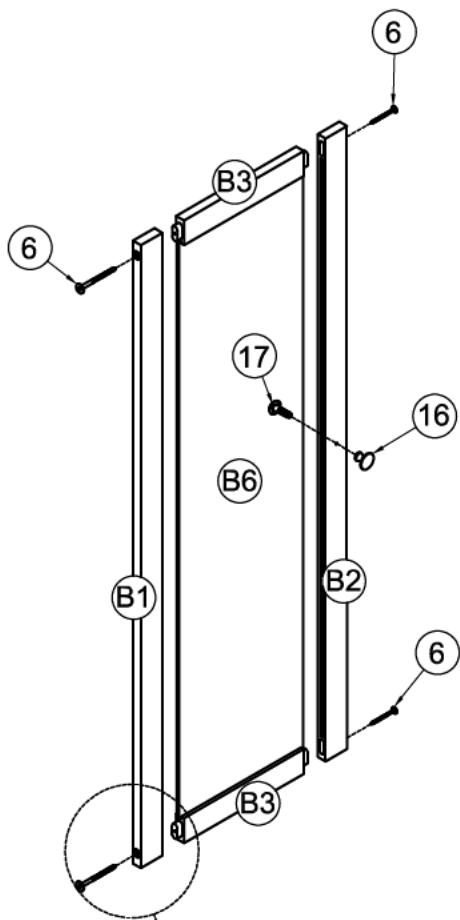
STEP7: Following below illustration.

10		5	
6(pcs)		5(pcs)	






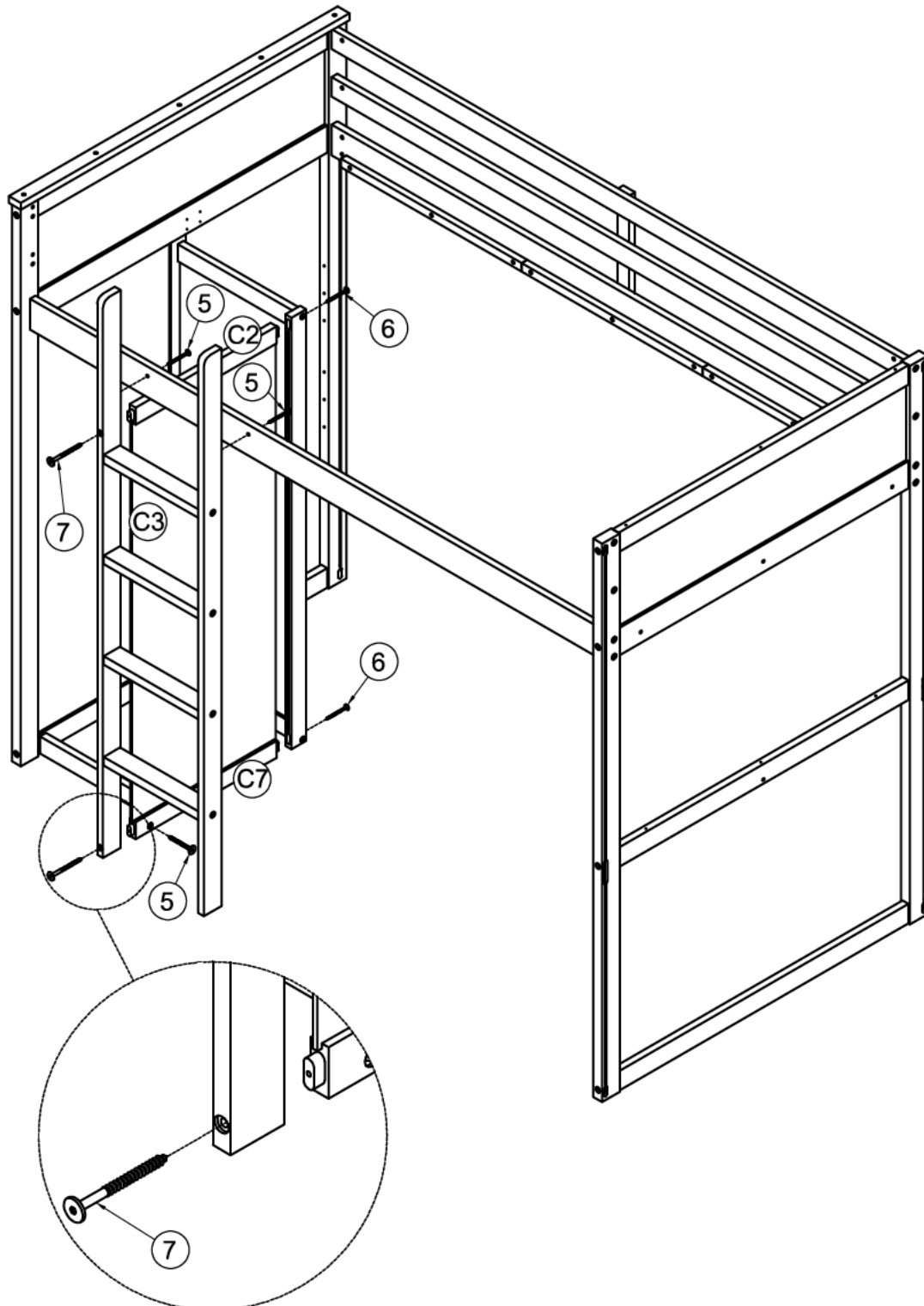
STEP8: Following below illustration.

17		6		9		5	
1(pcs)		4(pcs)		16(pcs)		8(pcs)	
						16	
						1(pcs)	



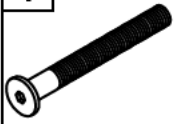





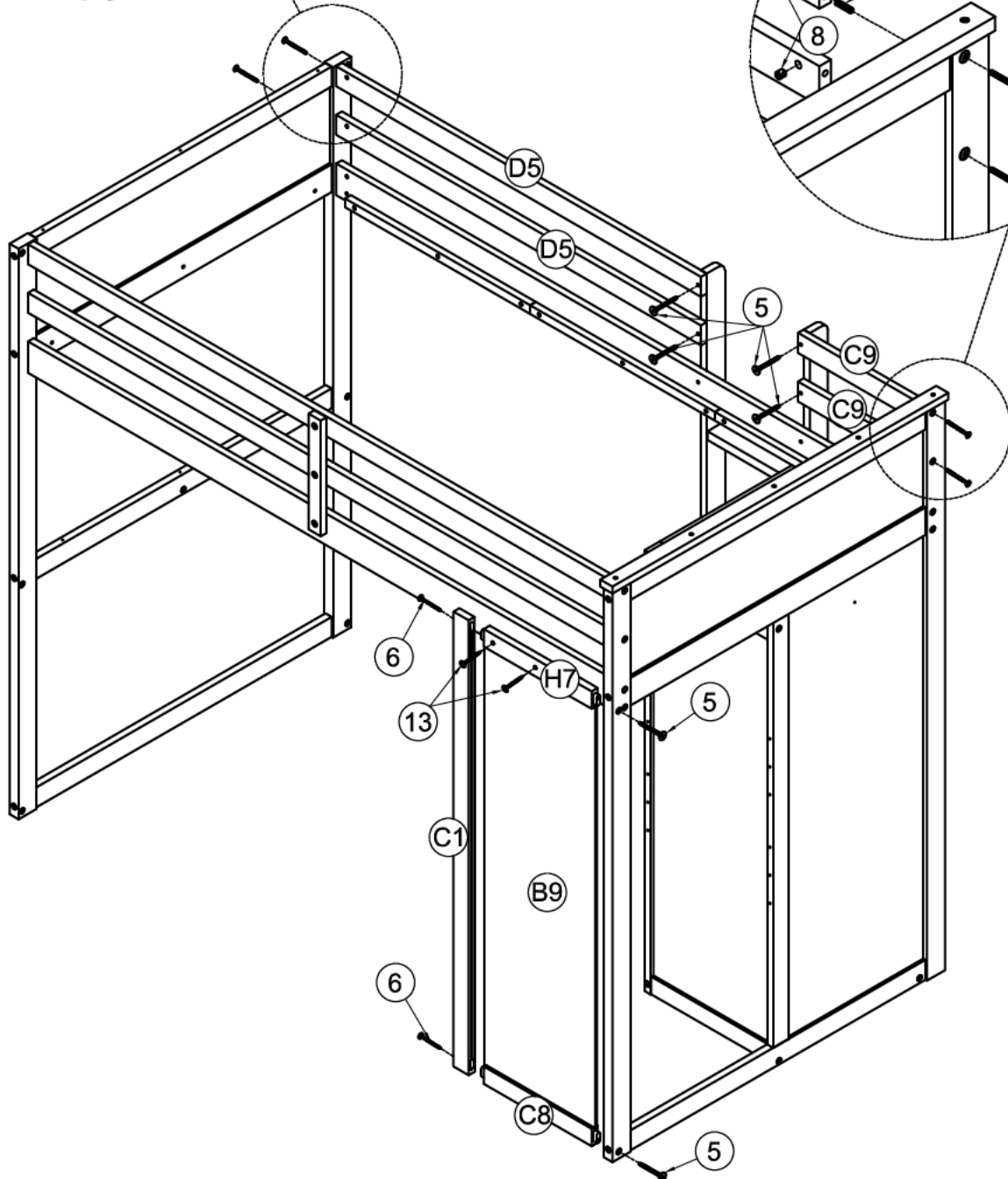
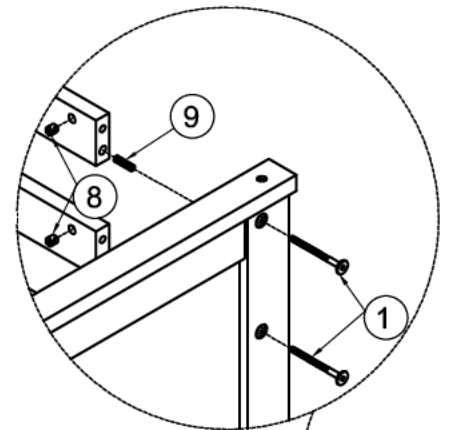
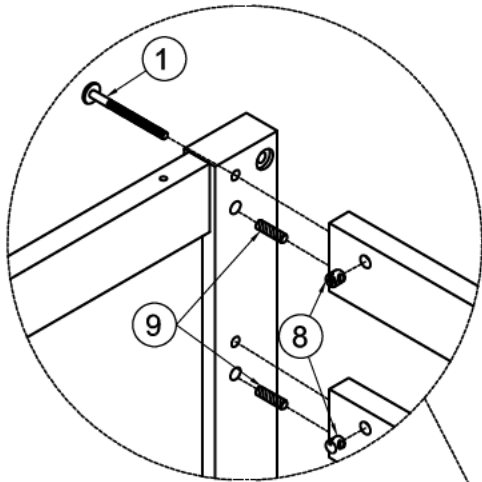
STEP9: Following below illustration.

7	5	6
		
2(pcs)	3(pcs)	2(pcs)








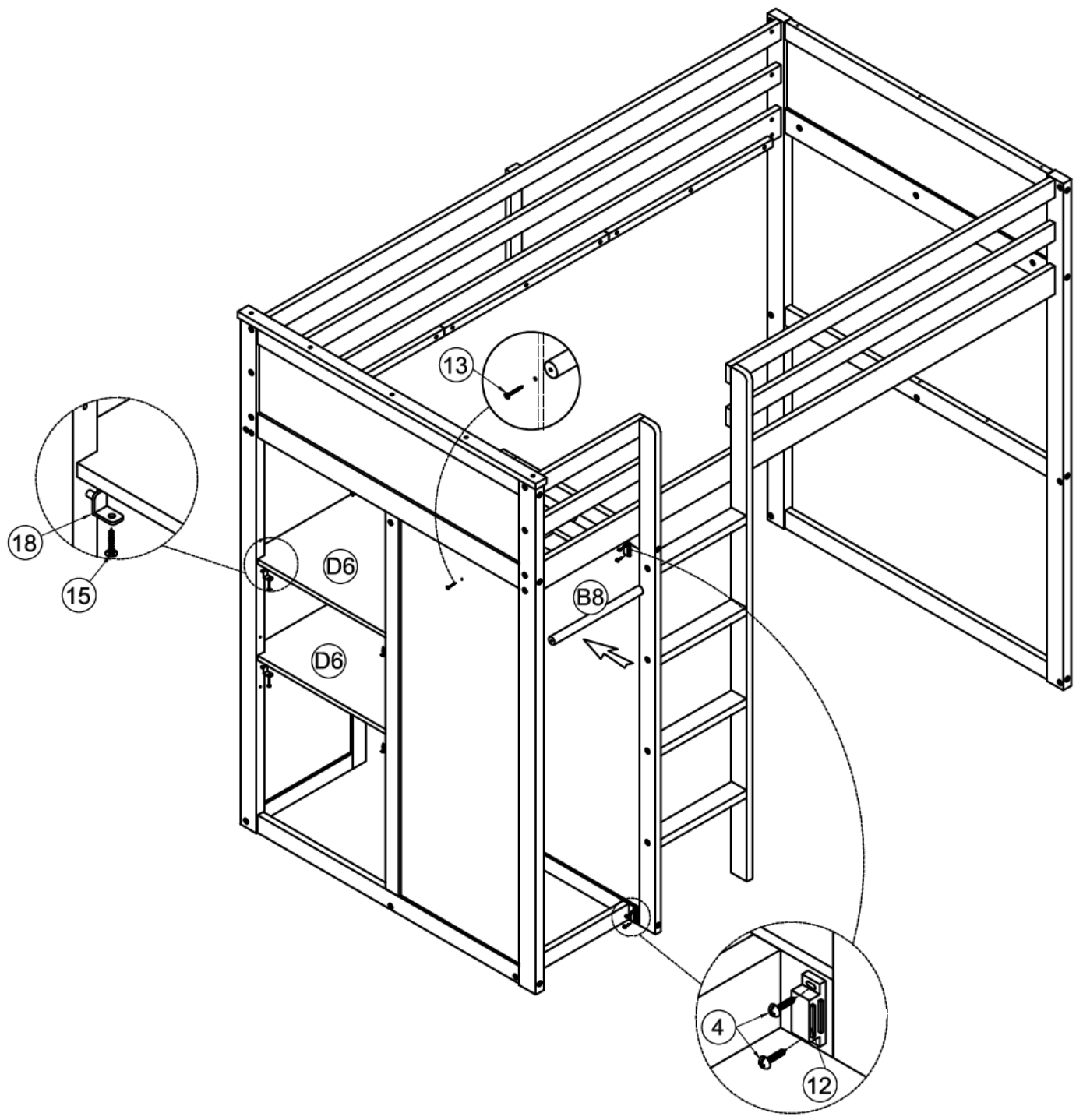
STEP10: Following below illustration.

6	8	1	9
			
2(pcs)	4(pcs)	4(pcs)	4(pcs)
		13	5
			
		2(pcs)	6(pcs)





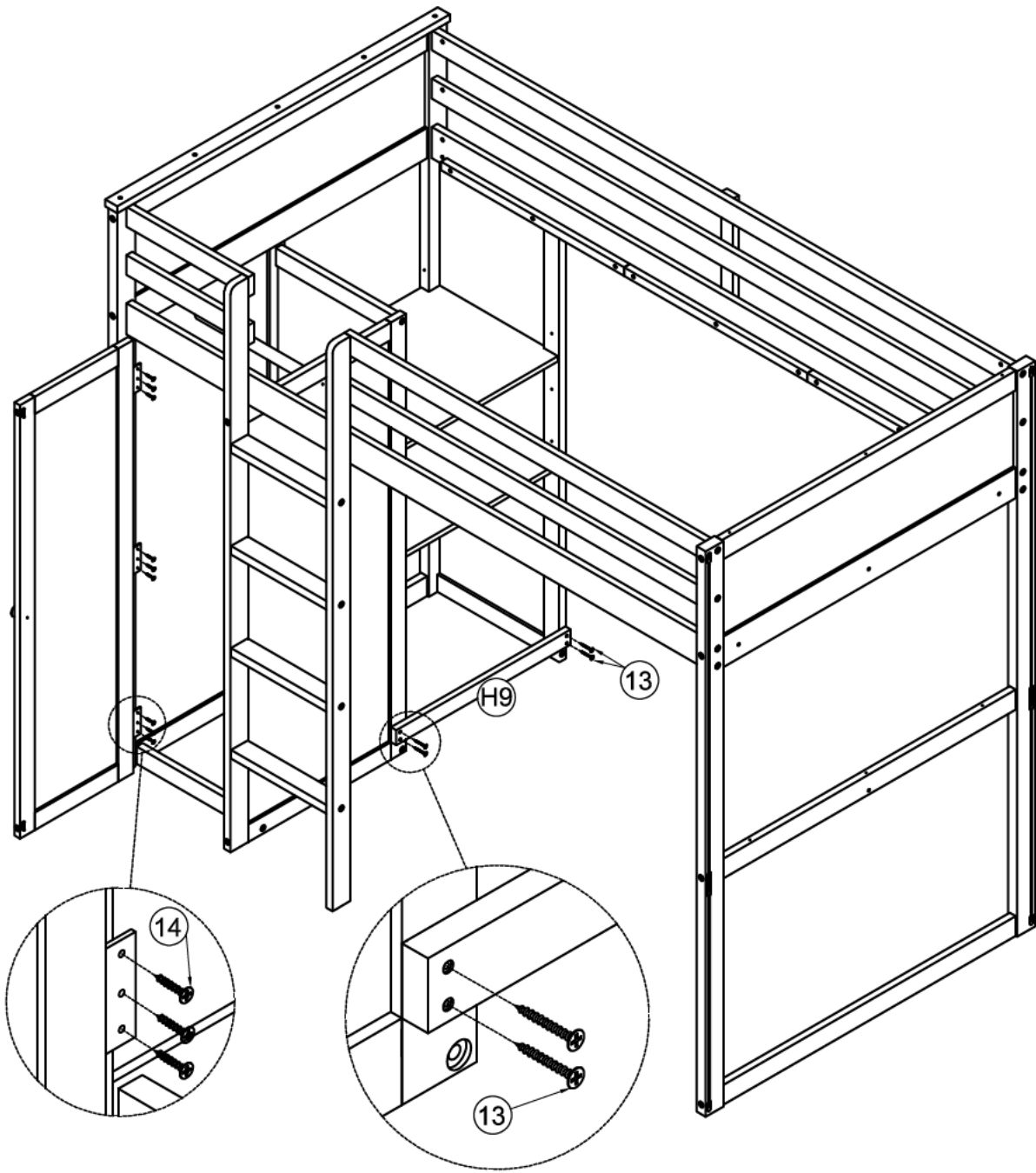
STEP11: Following below illustration.

12	18	13	15
			
2(pcs)	8(pcs)	2(pcs)	8(pcs)
			4
			
			4(pcs)






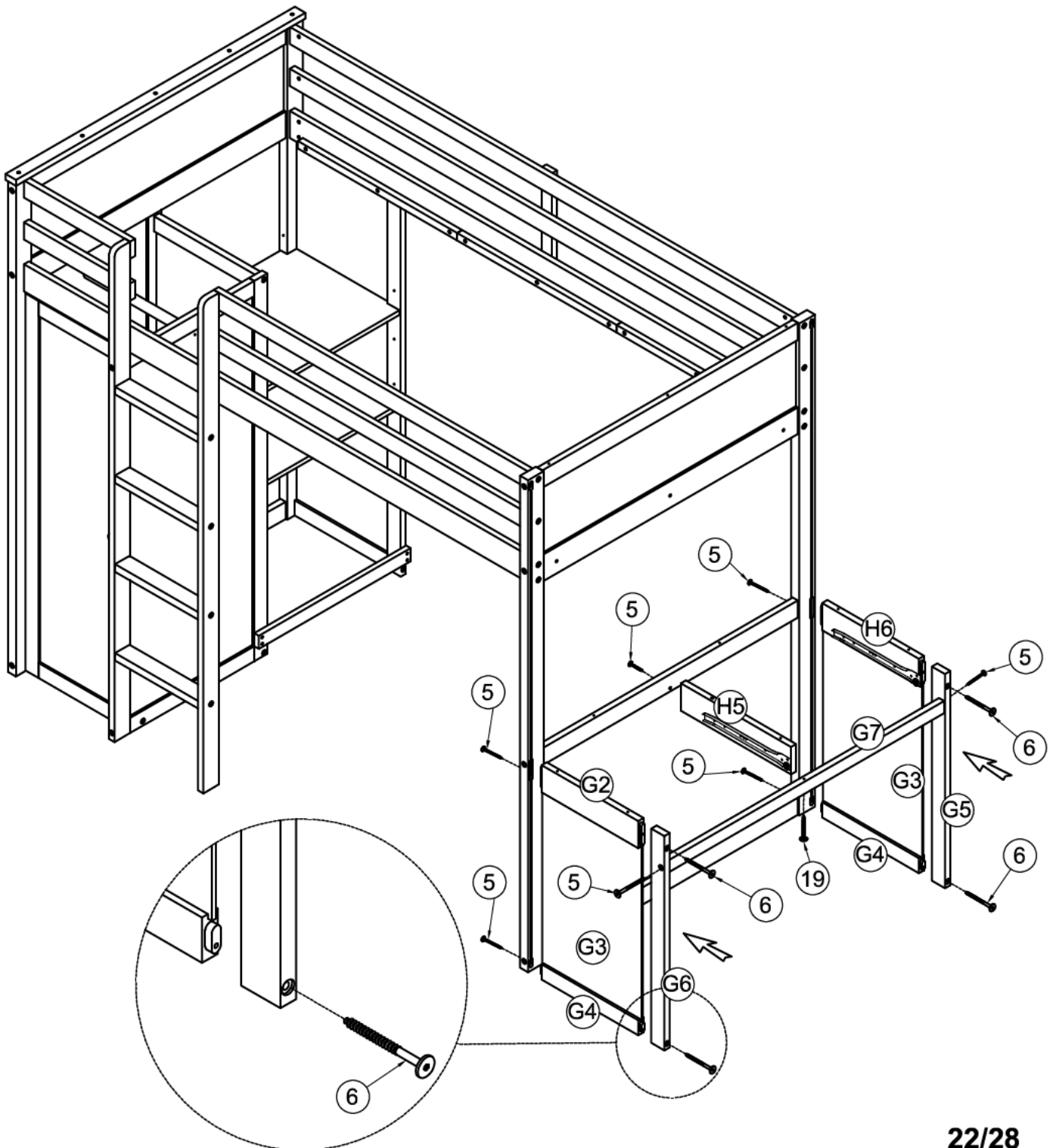
STEP12: Following below illustration.

13		14	
4(pcs)		9(pcs)	





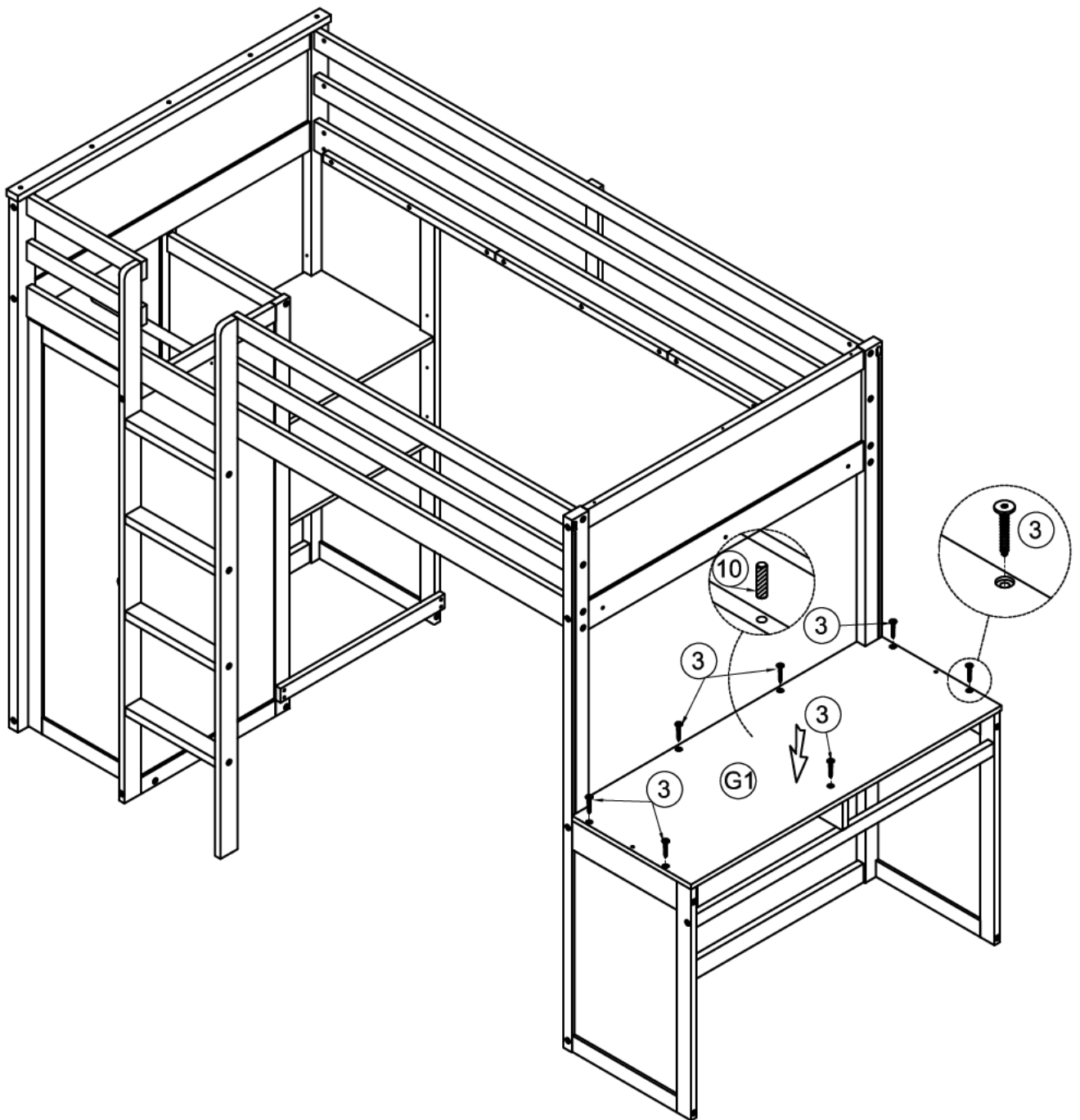
STEP13: Following below illustration.

19		5		6	
1(pcs)		7(pcs)		4(pcs)	






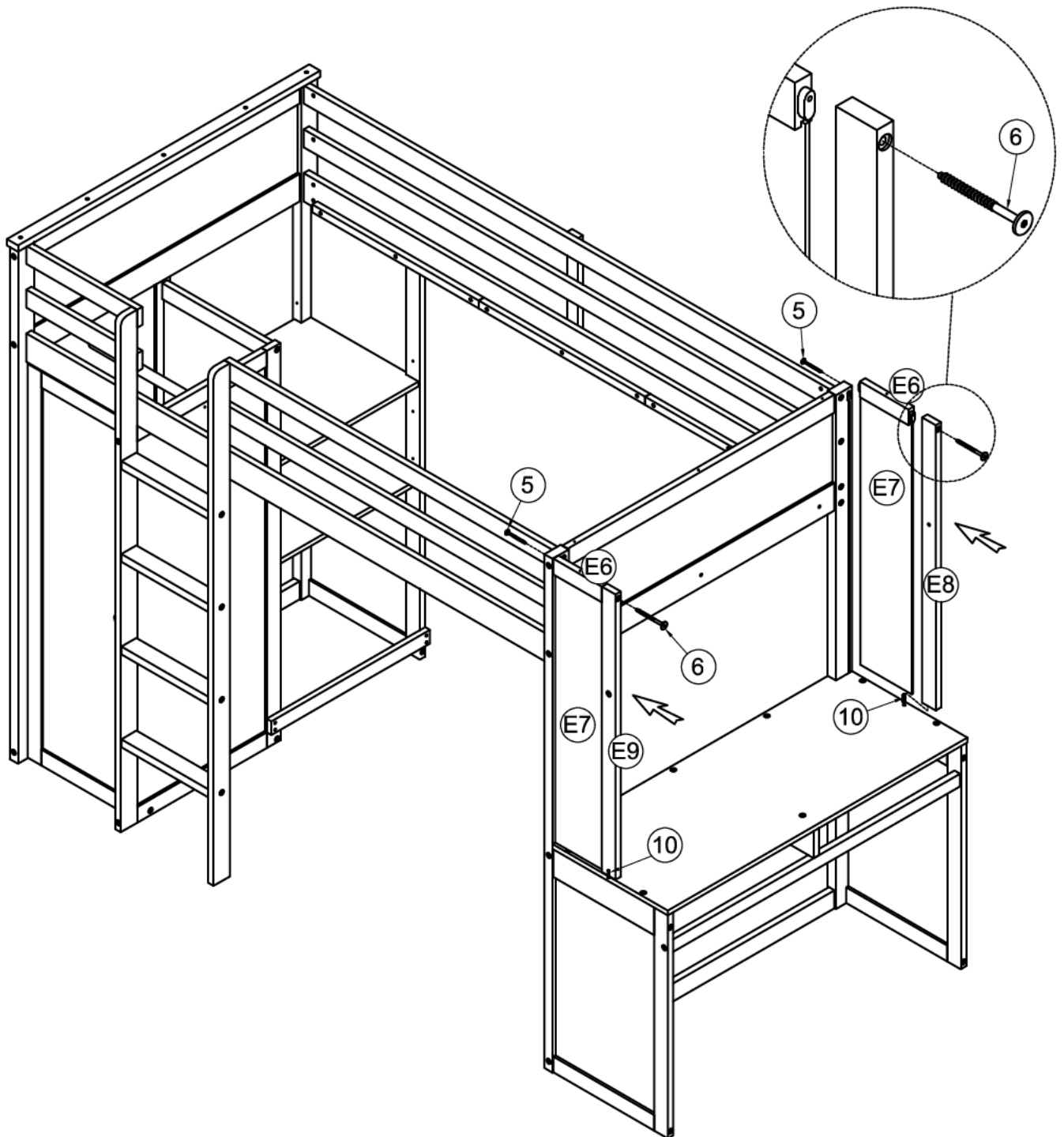
STEP14: Following below illustration.

10		3	
	1(pcs)		7(pcs)







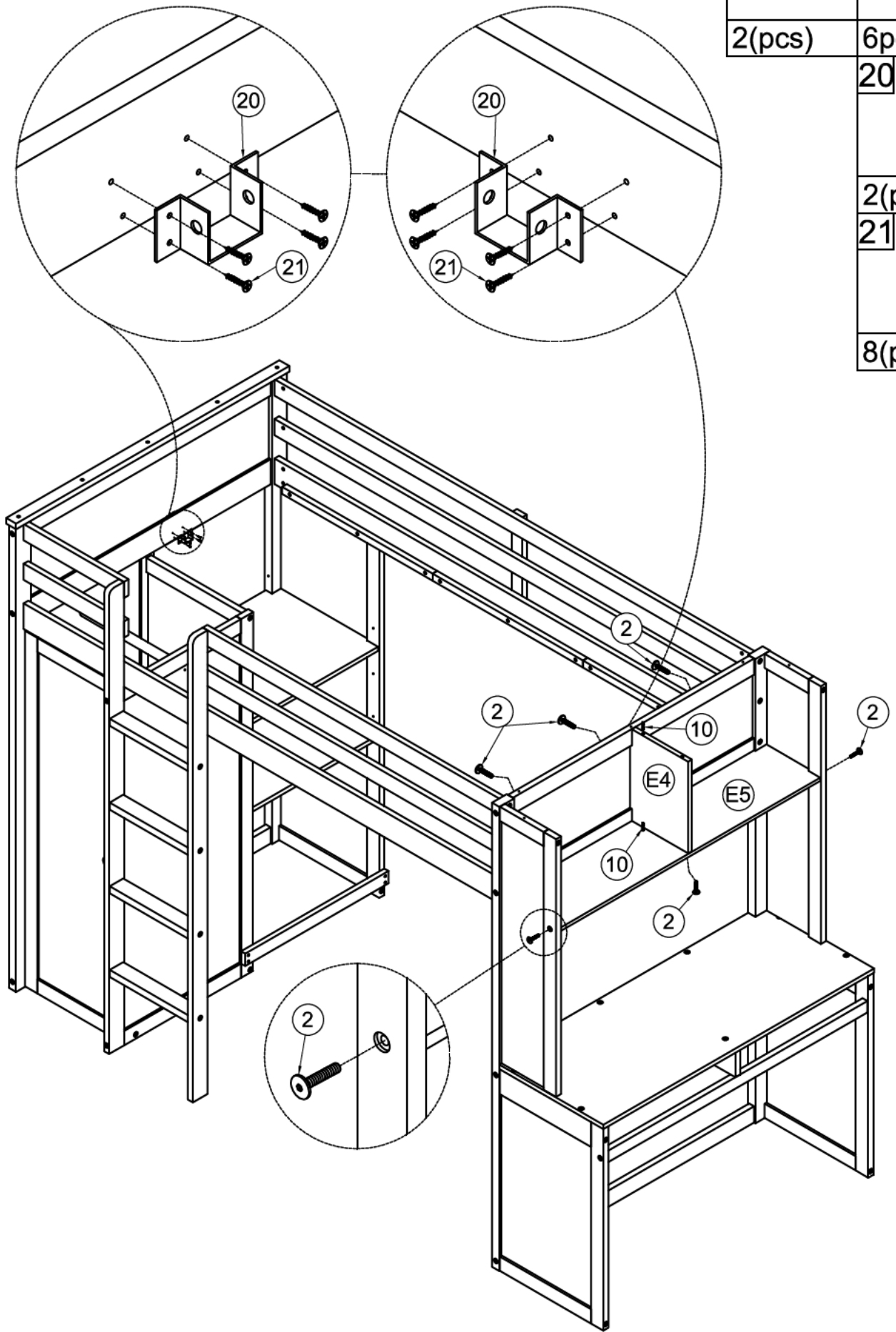
STEP15: Following below illustration.

10		5		6	
2(pcs)		2(pcs)		2(pcs)	

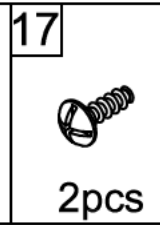
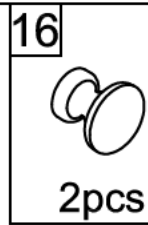
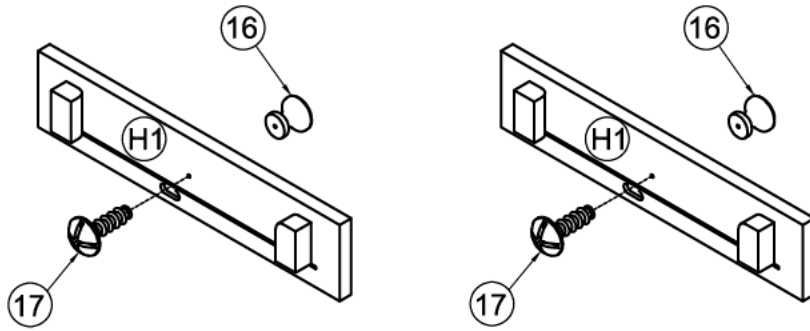


STEP16: Following below illustration.

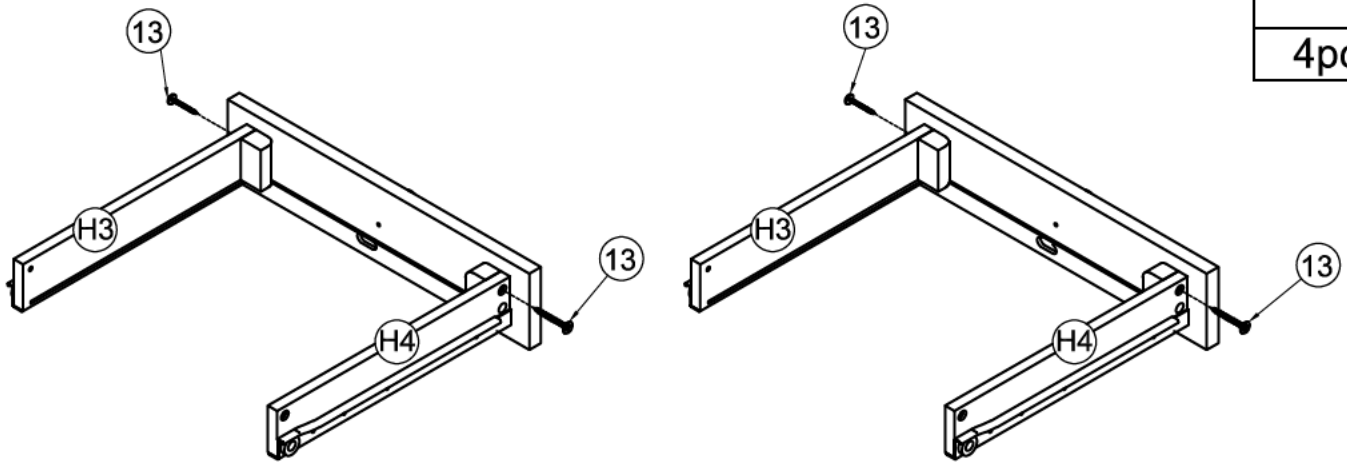
10		2	
2(pcs)		6(pcs)	
		20	
		2(pcs)	
		21	
		8(pcs)	



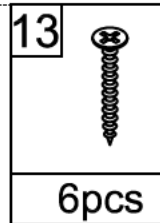
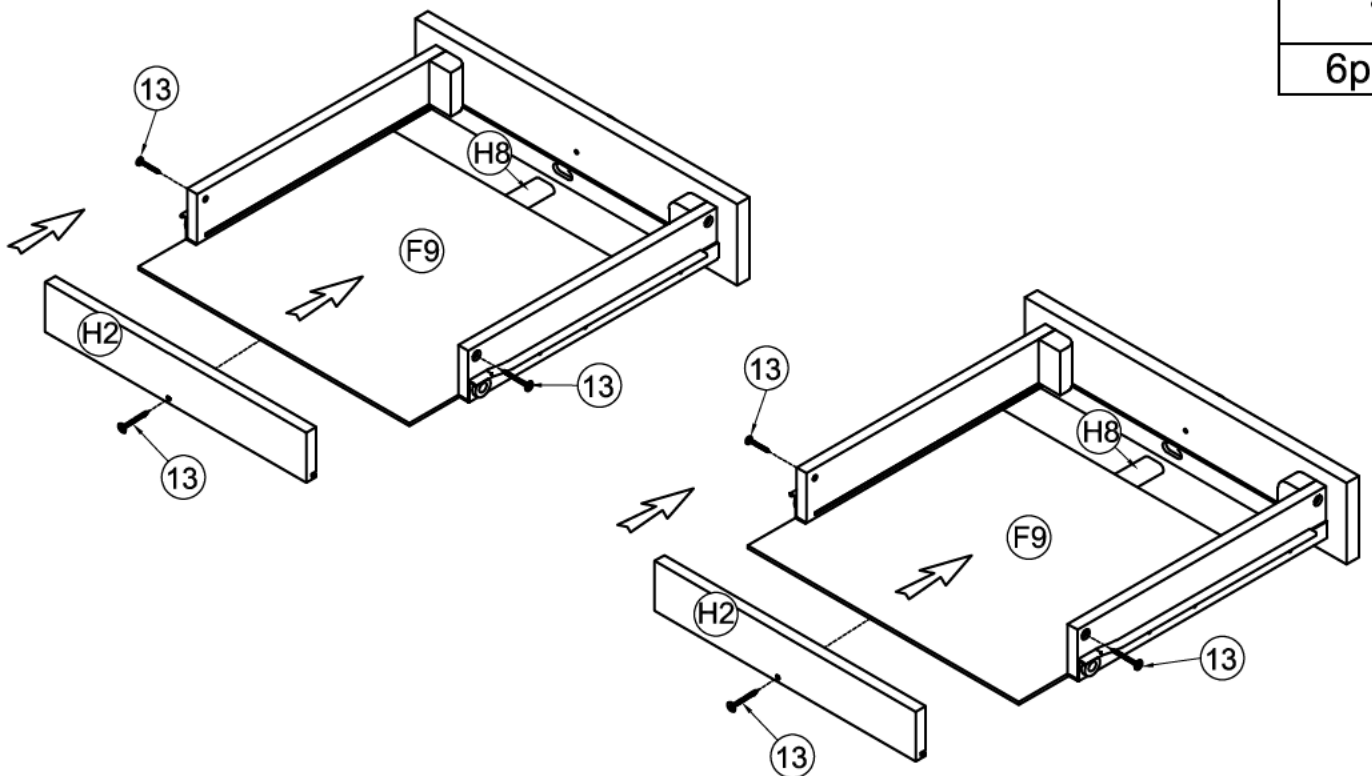
STEP17-1: Following below illustration.






STEP17-2: Following below illustration.

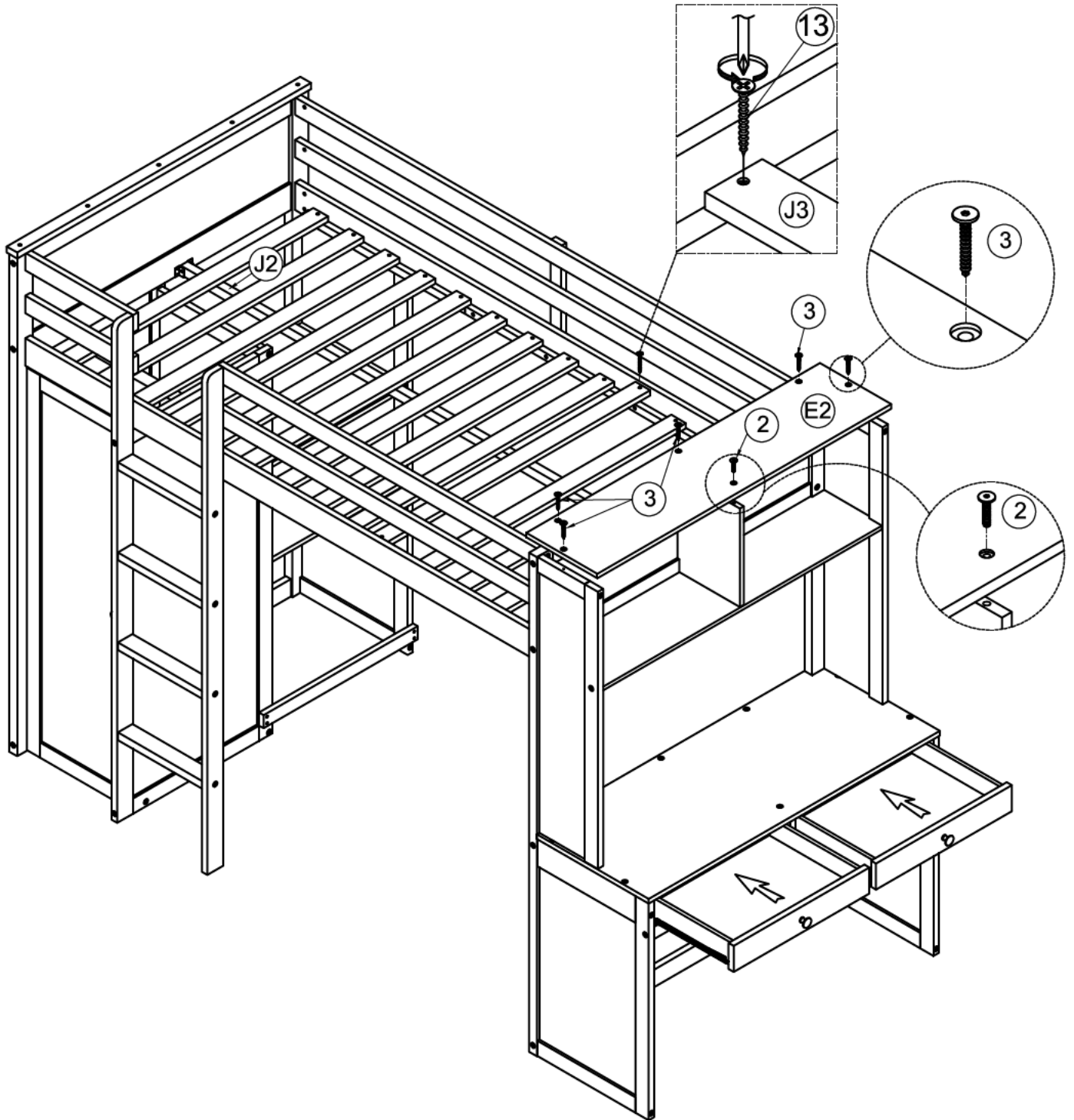


STEP17-3: Following below illustration.



STEP18: Following below illustration.

3	13	2
		
5(pcs)	28(pcs)	1(pcs)



STEP19: Following below illustration.

