

Specifications:

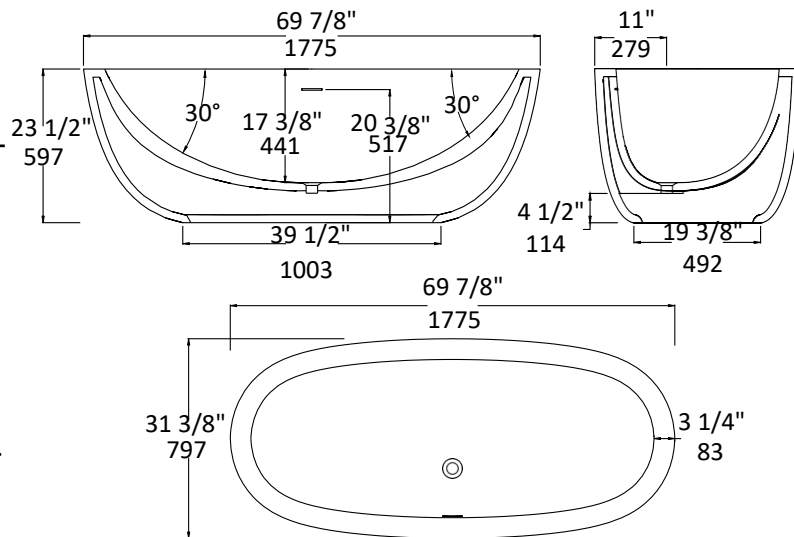
Installation:	Freestanding
Exterior Dimensions:	69 7/8" w x 31 3/8" d x 23 1/2" h
Material:	Solid surface
Water capacity:	73 gal.
Net weight:	364 lbs.
Overflow:	Yes
Finishes:	M - Matte white G - Gloss white

Freight: Class 5



Features:

- Solid surface soaking bathtub with overflow
- Includes brass click-clack drain assembly with decorative solid surface dome
- Freestanding installation

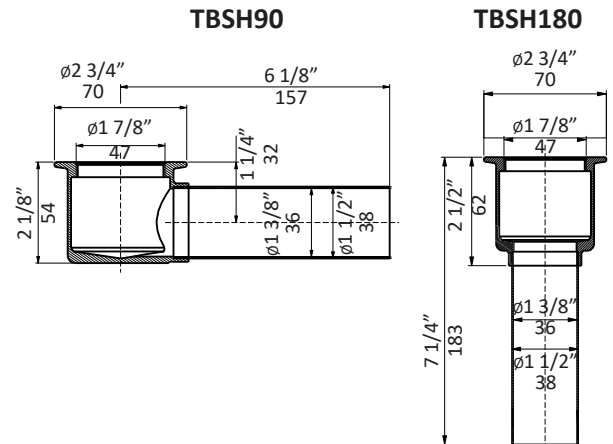


Codes + Standards:

- Meets or exceeds applicable national codes and standards

Recommended Items:

- Furniture
 - TUB09- BR: Tub bridge in wood, 6" w, 32" d, 1 1/2" h
 - Available in: white (08), black (16), natural walnut (07)
- Trap connections
 - TBSH90 - L-shaped 90 degree brass tub shoe
 - TBSH180 - Straight down 180 degree brass tub shoe



Care + Maintenance:

- To prevent damage to the solid surface material, hot objects and open flame should not be placed in direct contact with the surface

[Click Here](#) to find out more about proper care and maintenance