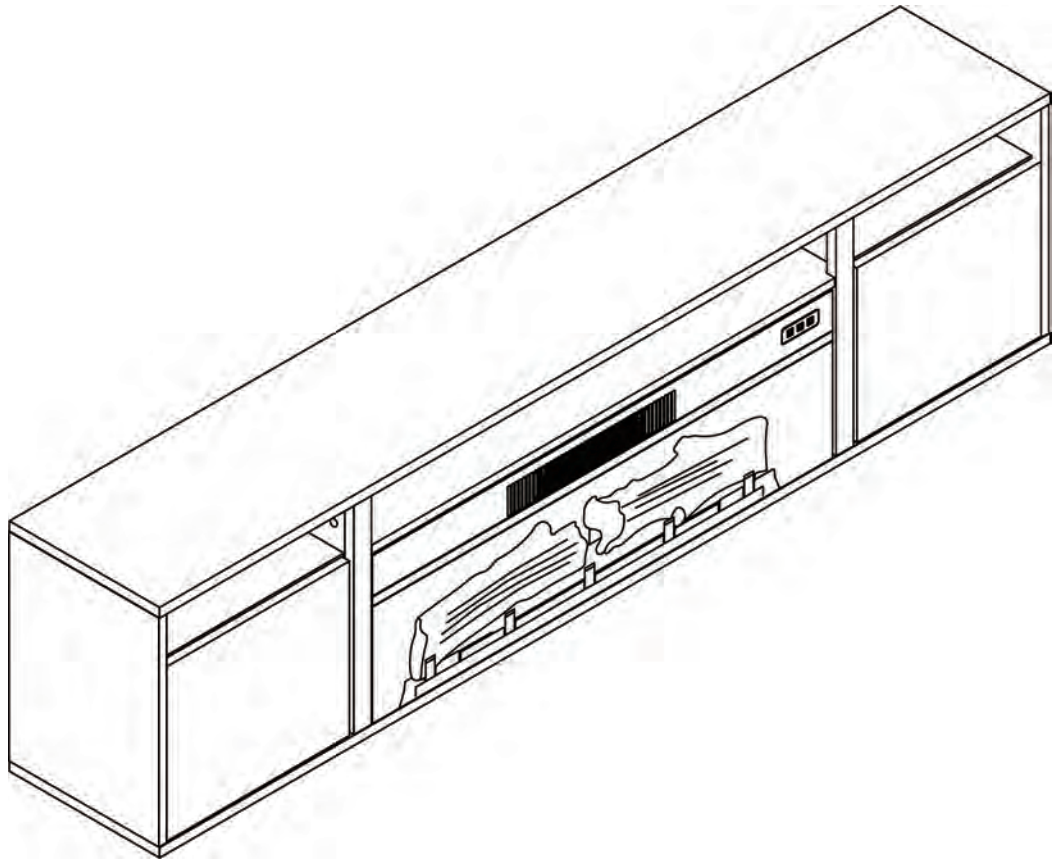


Foundation Floating TV Fire Stand



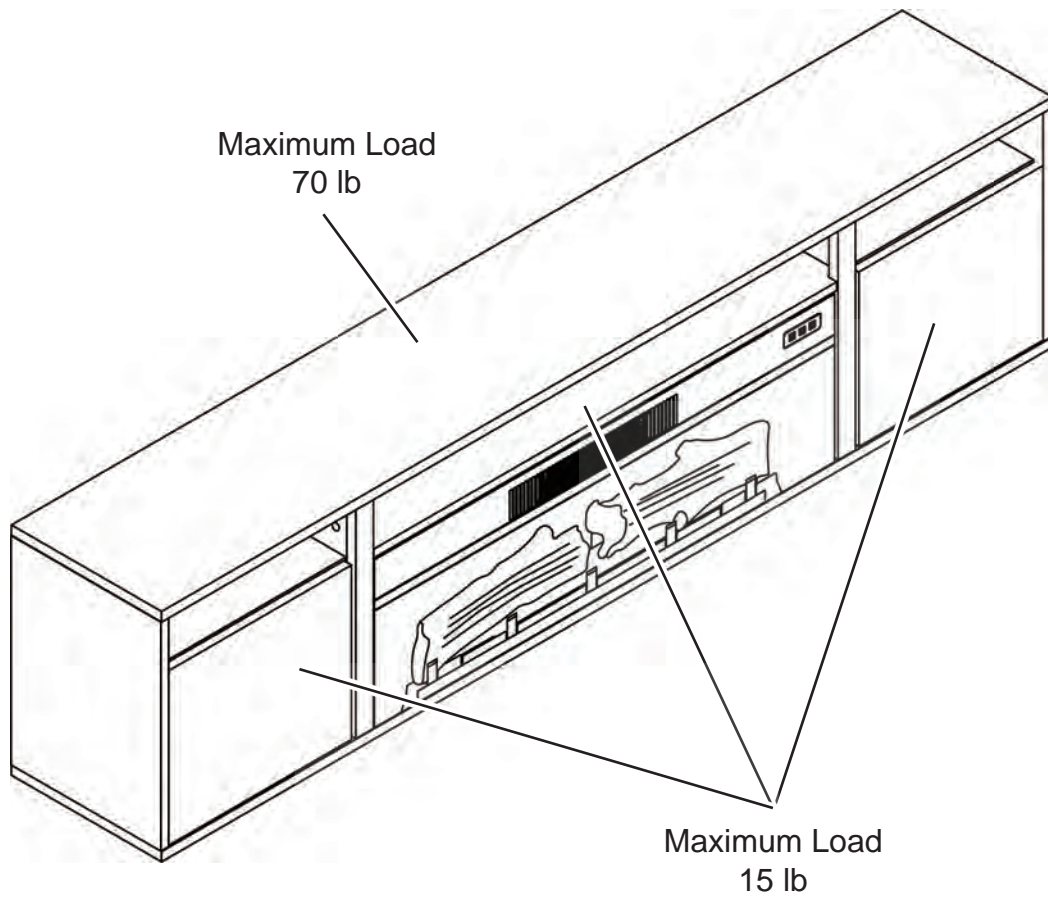


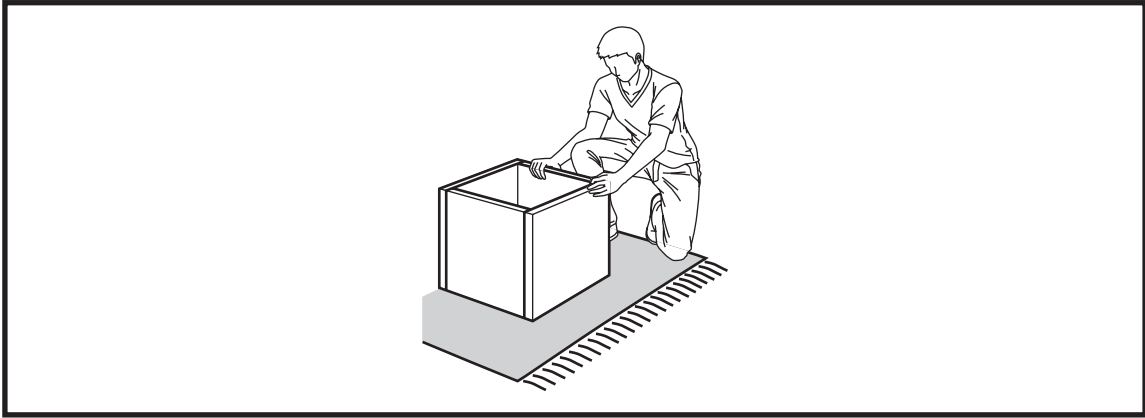
Estimated time for assembly:

150 mins



Weight limitations are as follows:

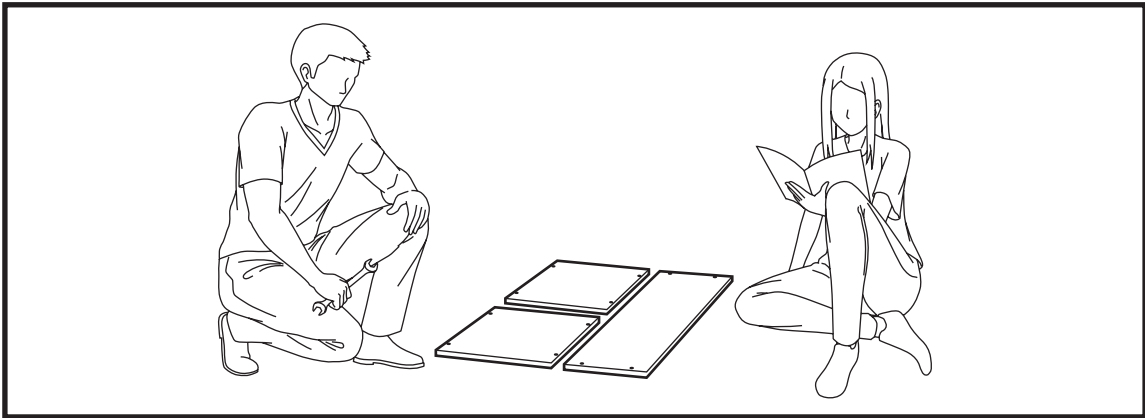




Assemble the furniture on an empty carton, carpet, or rug to prevent scratches or damage.

For safety, please keep pets and children away from the assembly area.

Ensure the product is fully assembled before use. If you are missing any hardware or products, do not use it until you have restored the missing parts.



This furniture requires 2 people for assembly.

Read this instruction manual prior to assembly to familiarize yourself with the various steps.

Lay out all components and hardware separately on a flat surface and make sure that no parts are missing or damaged before assembly. Do not destroy or discard any packaging until you are certain that you have all the necessary parts for assembly.

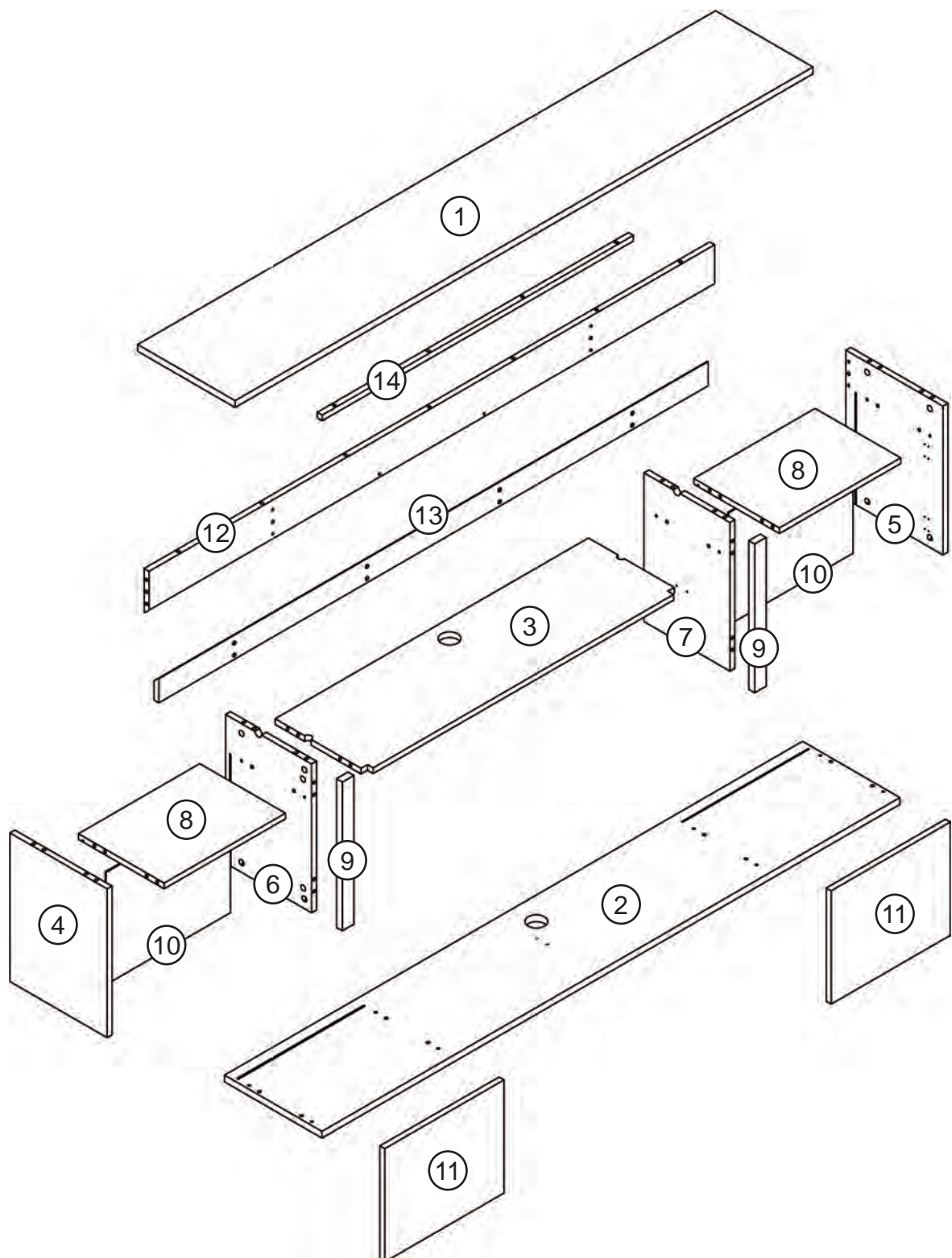
Hand tight all hardware and careful not to over tighten to avoid damaging the product.

CAUTION

There are small components used in the construction of this product. Loose items should be kept away from pets and children to avoid a choking hazard.

Keep all plastic bags and packaging film away from pets and children to avoid suffocation.

PACKAGE CONTENTS



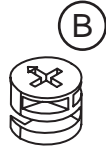
PACKAGE CONTENTS

CODE	DESCRIPTION	QTY
1	Top Panel	1
2	Bottom Panel	1
3	Center Panel	1
4	Left Lateral Panel	1
5	Right Lateral Panel	1
6	Left Medial Panel	1
7	Right Medial Panel	1
8	Shelf Panel	2
9	Vertical Surround Panel	2
10	Back Panel	2
11	Cabinet Door	2
12	Shelf Cleat	1
13	Wall Cleat	1
14	Metal Bar	1

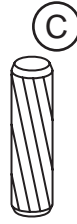
PACKAGE CONTENTS



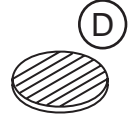
40x + 3x



40x + 3x



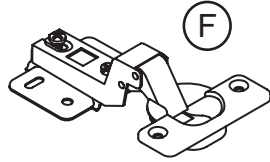
39x + 3x



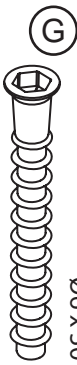
40x



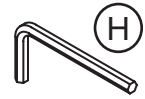
24x + 2x



4x



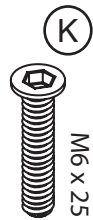
6x



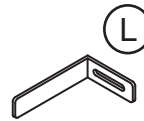
1x



8x



4x



3x

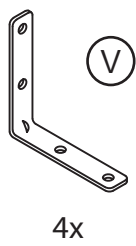
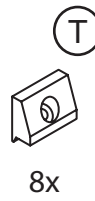
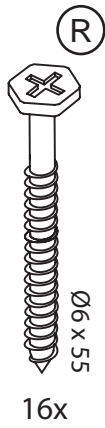
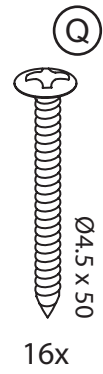
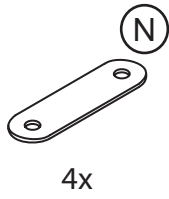


6x



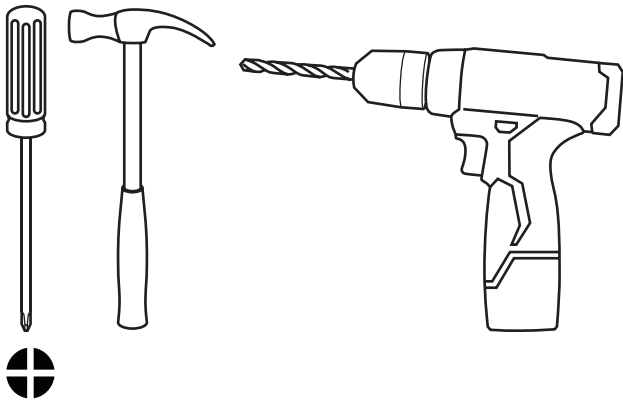
Install all hardware perpendicular to the opening.

PACKAGE CONTENTS



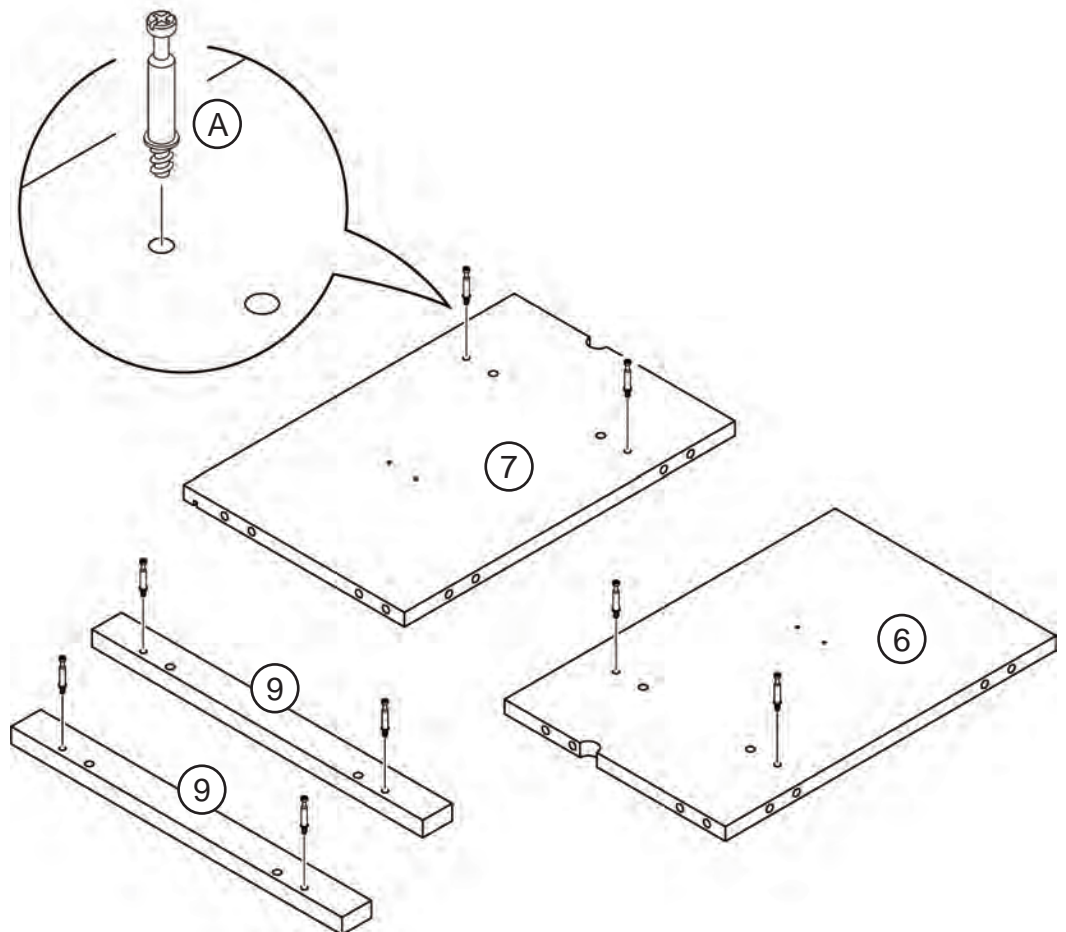
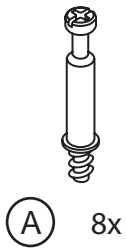
Install all hardware perpendicular to the opening.

Required tools for assembly (Not included)



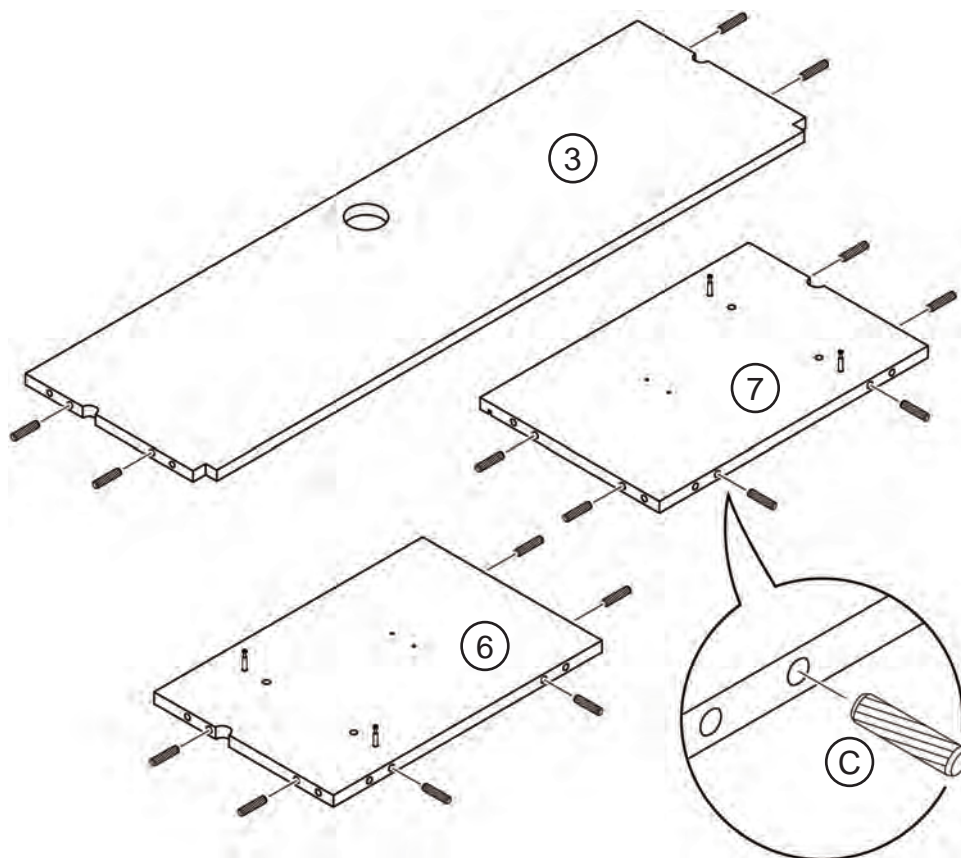
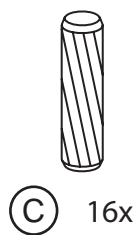
1

Attach cam bolts to the medial panels (6, 7) and to the vertical surround panels (9).



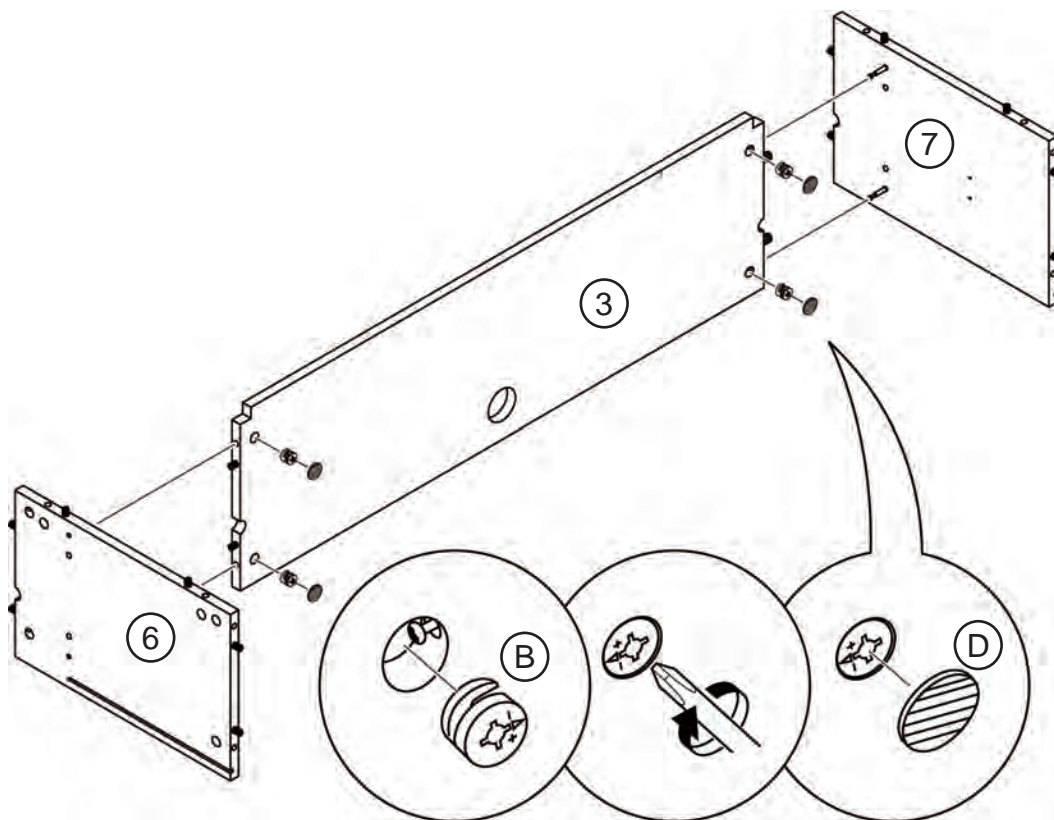
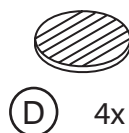
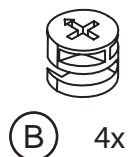
2

Insert wood dowels to the center panel (3) and medial panels (6, 7).



3

Assemble the center panel (3) between the medial panels (6, 7).



4

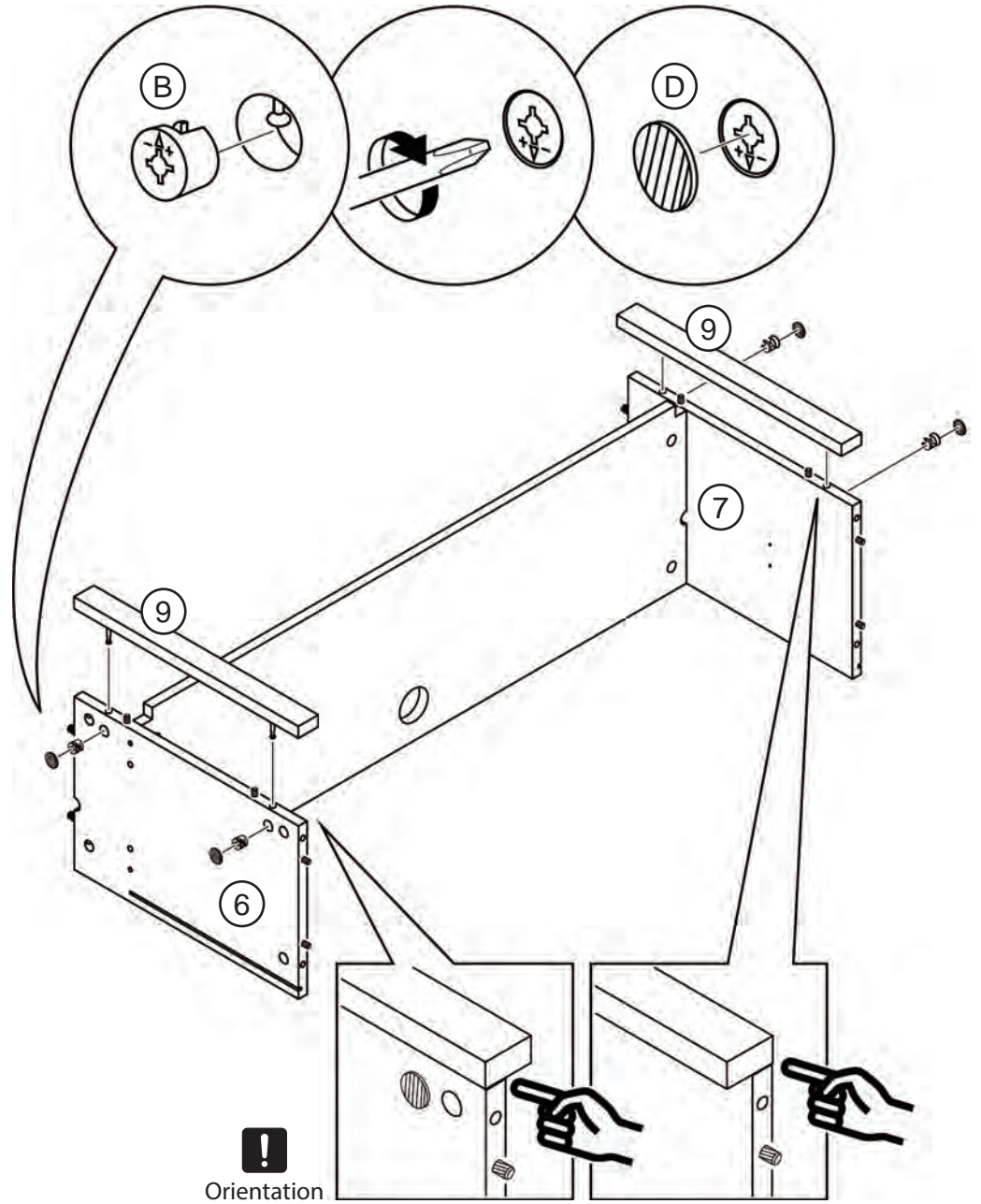
Assemble vertical surround panels (9) to the front of the medial panels (6, 7).



(B) 4x

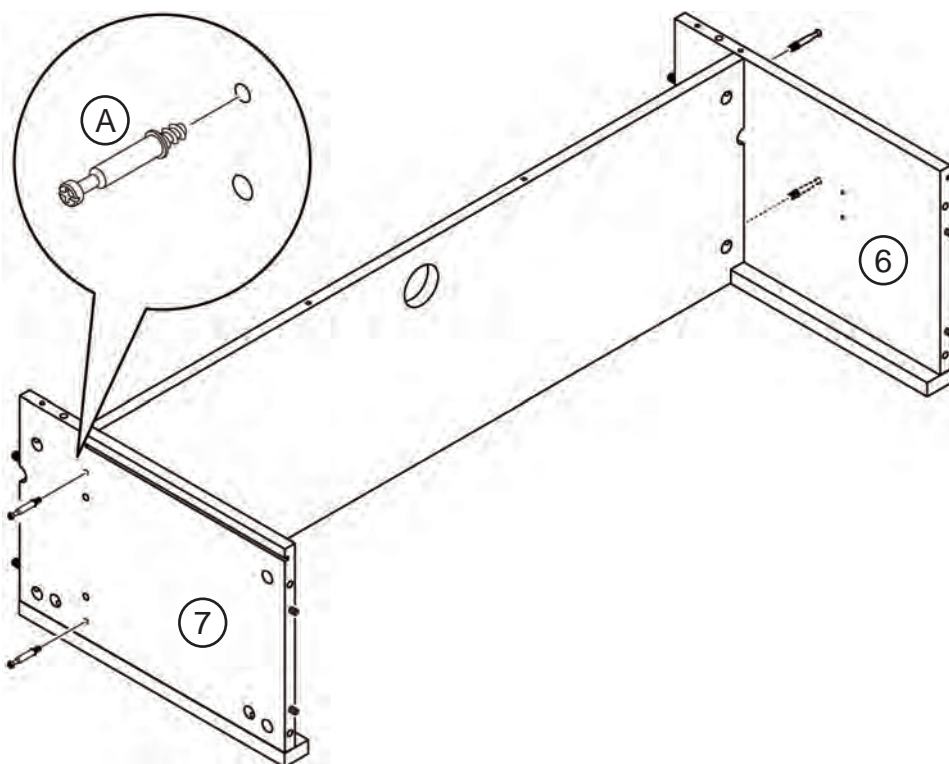
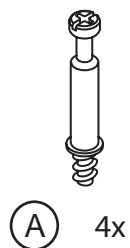


(D) 4x



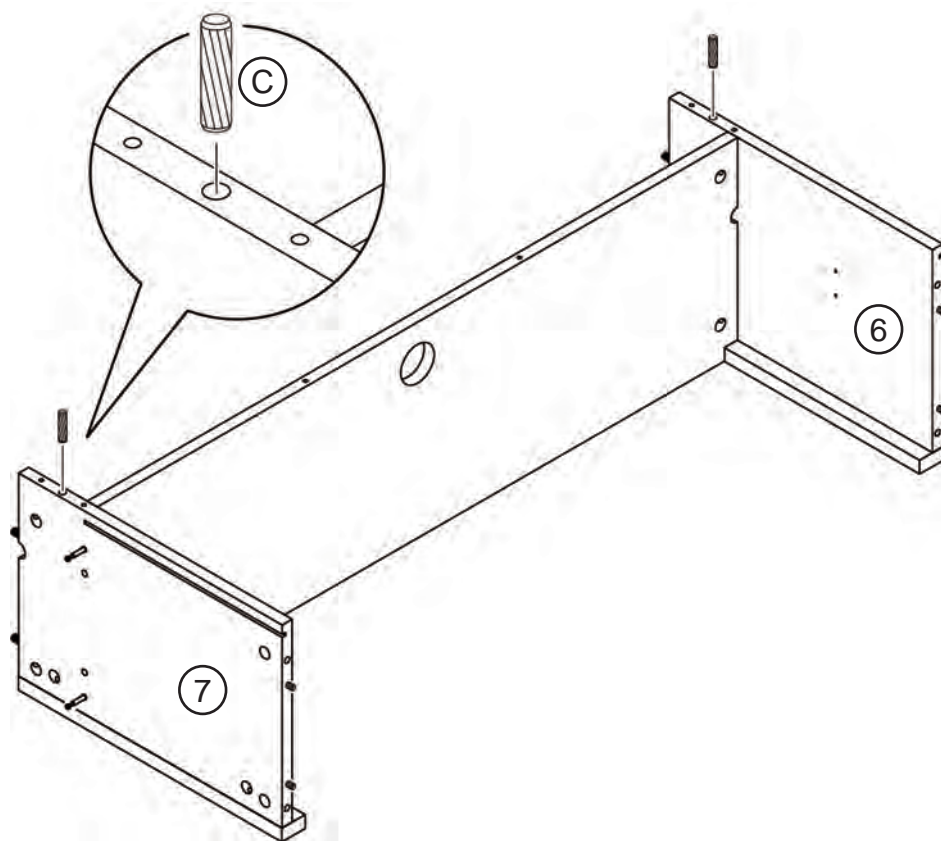
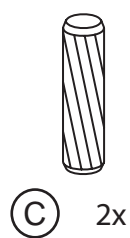
5

Attach cam bolts to the medial panels (6, 7) facing outwards.



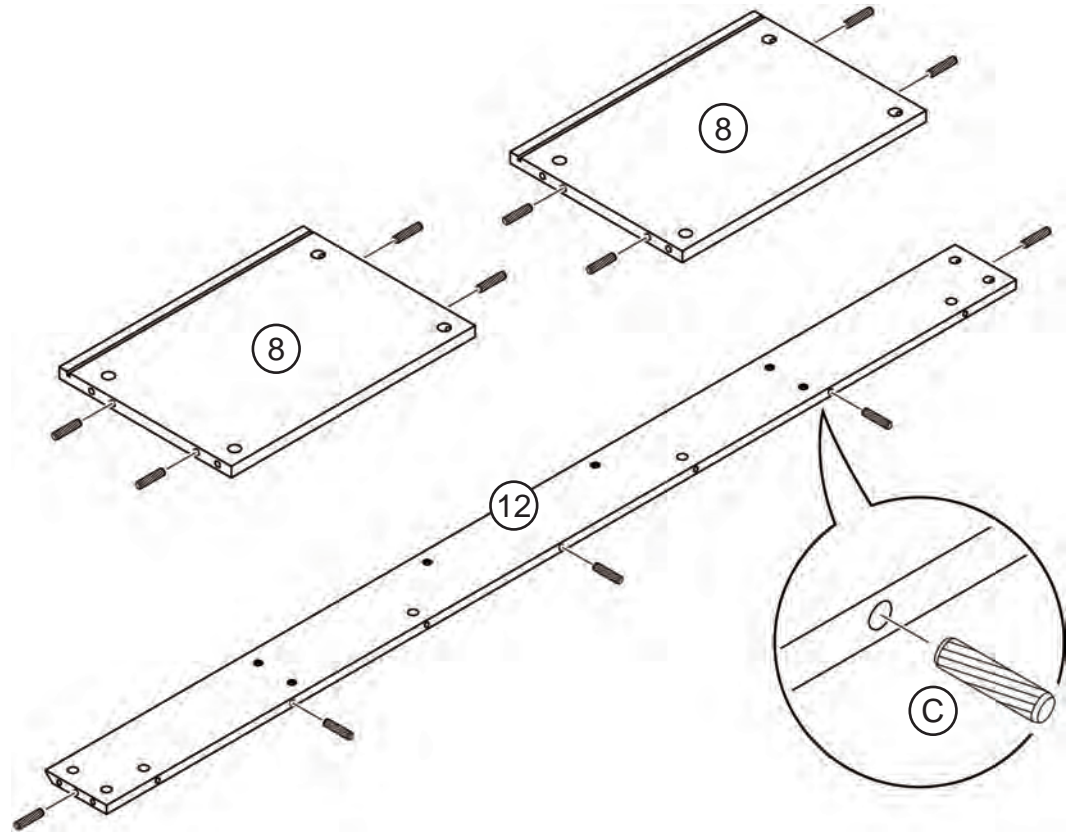
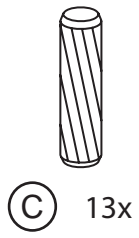
6

Insert wood dowels to the medial panels (6, 7).



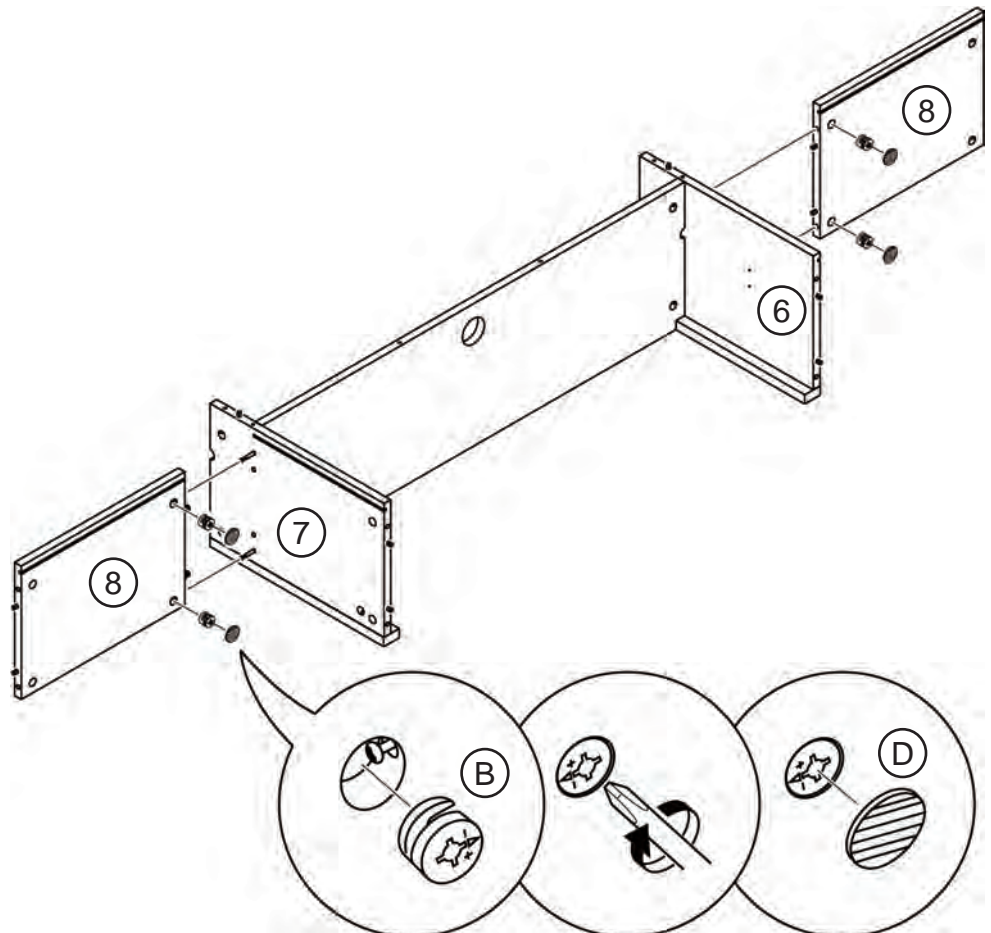
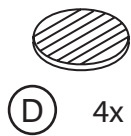
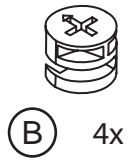
7

Insert wood dowels to the shelf panels (8) and the shelf cleat (12).



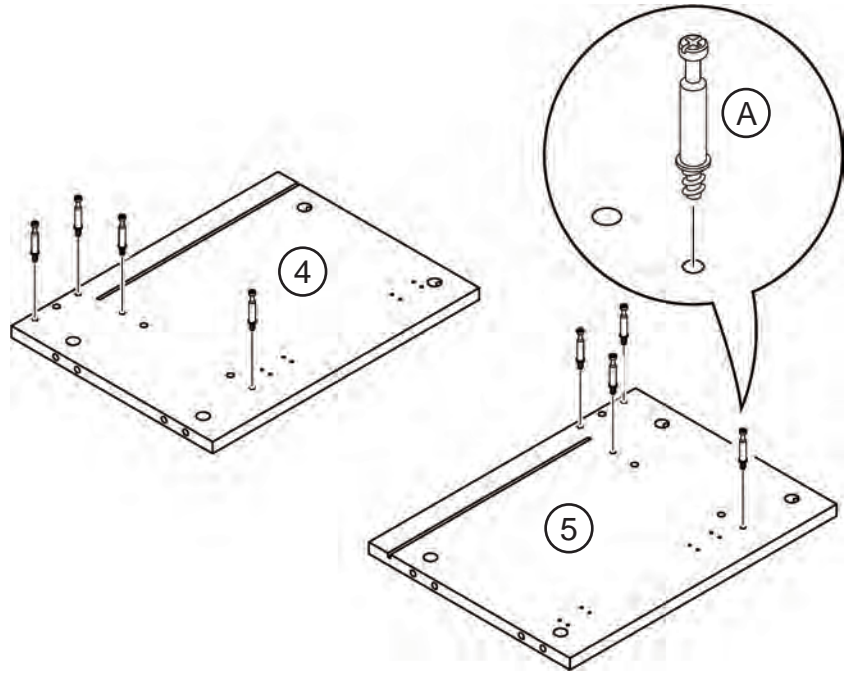
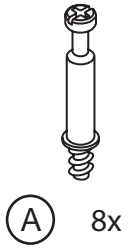
8

Assemble shelf panels (8) to the medial panels (6, 7).



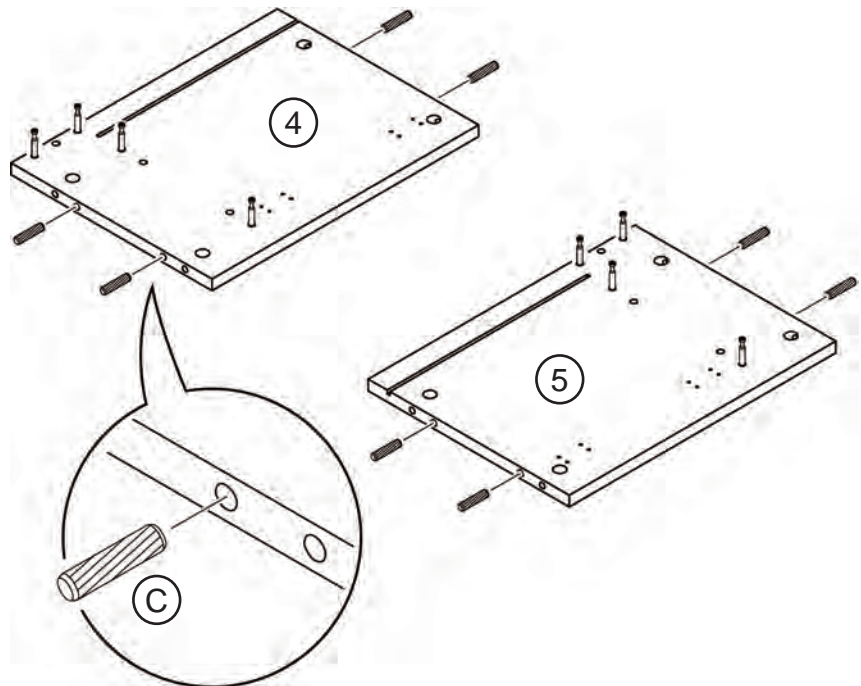
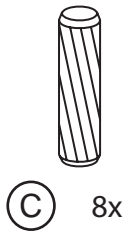
9

Attach cam bolts to the lateral panels (4, 5).



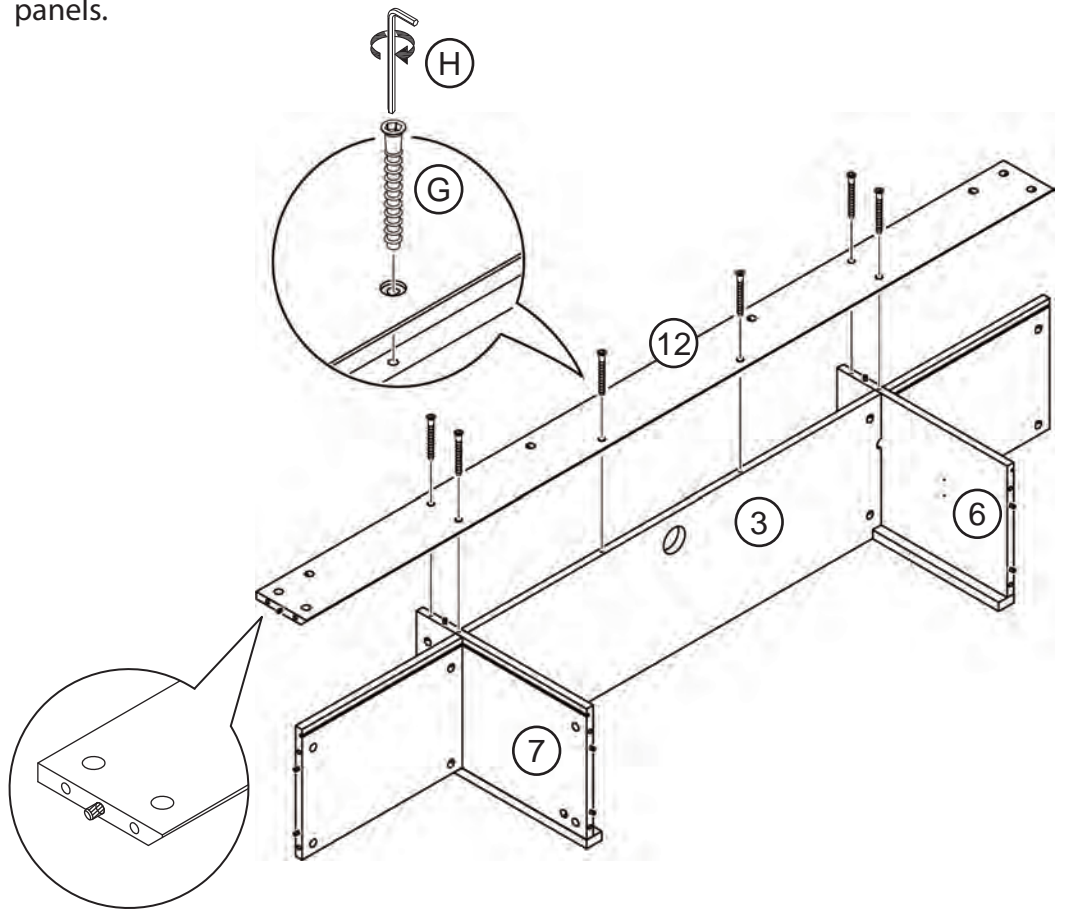
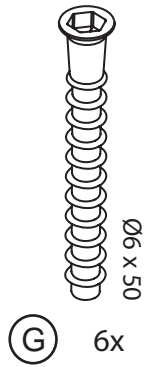
10

Insert wood dowels to the lateral panels (4, 5).



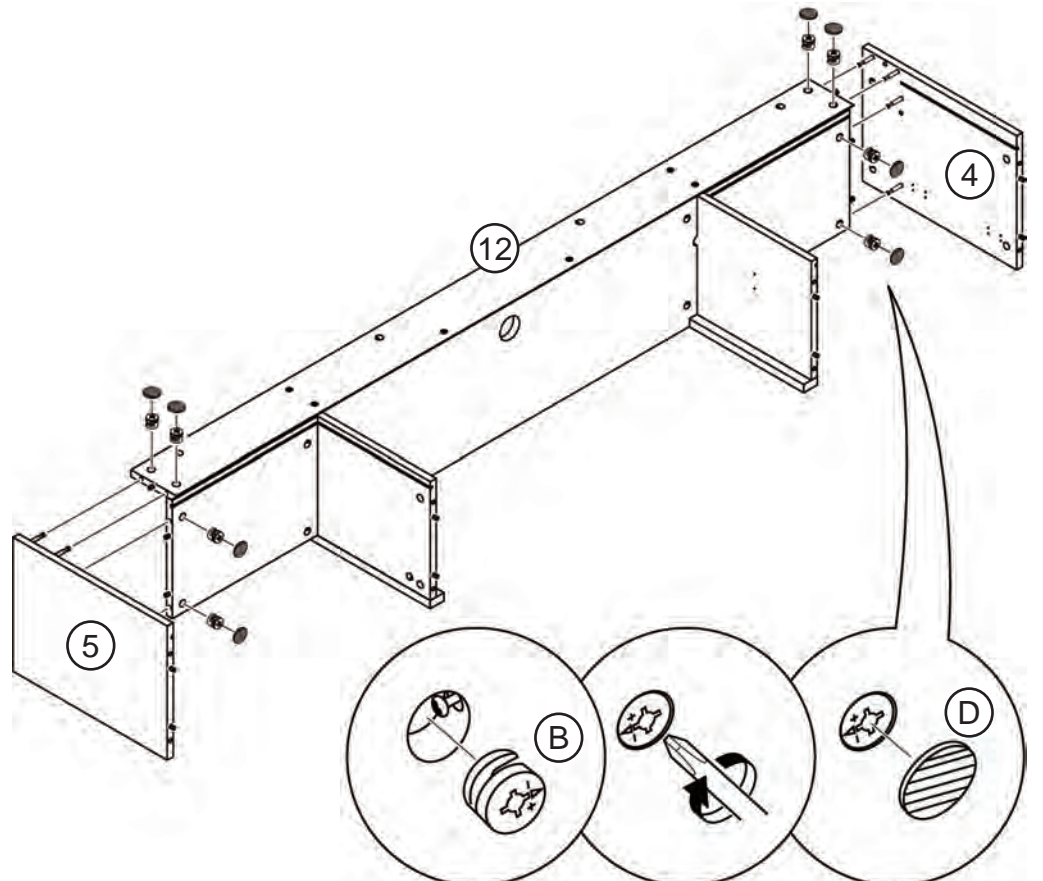
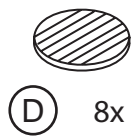
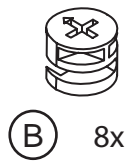
11

Assemble the shelf cleat (12) to the back of the center panel (3) and the medial panels.



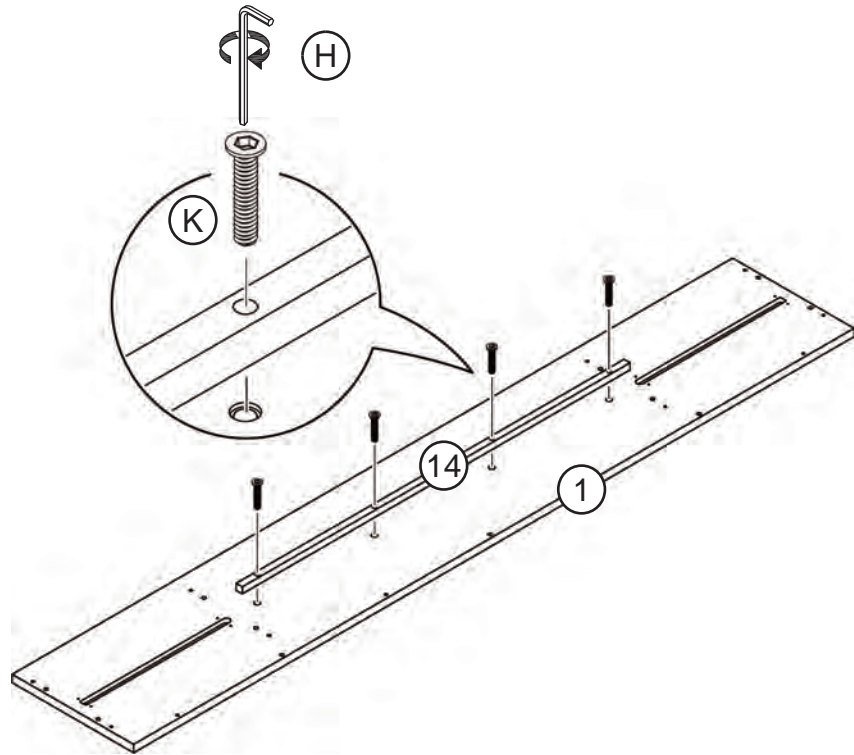
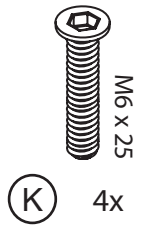
12

Assemble lateral panels (4, 5) to the assembly.



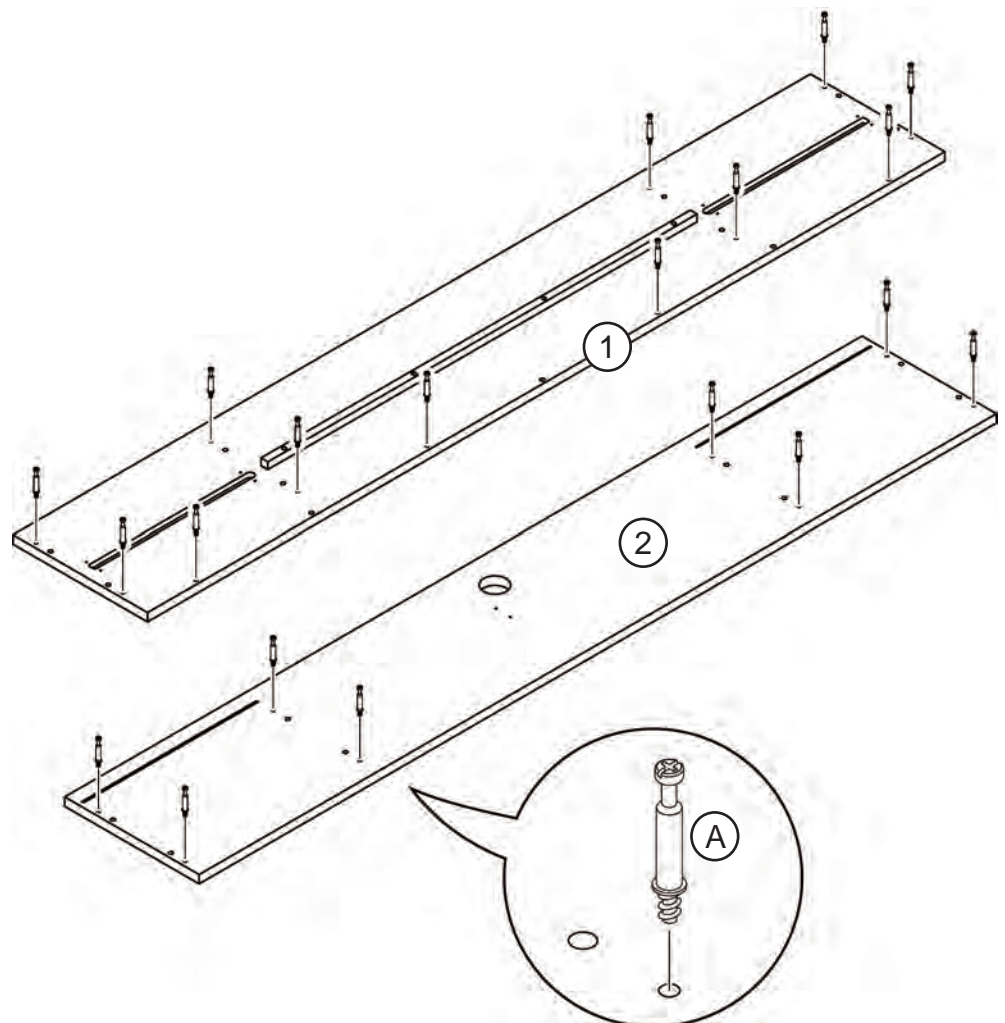
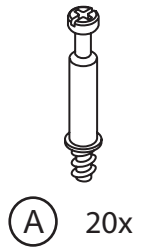
13

Assemble metal bar (14) to the underside of the top panel (1).



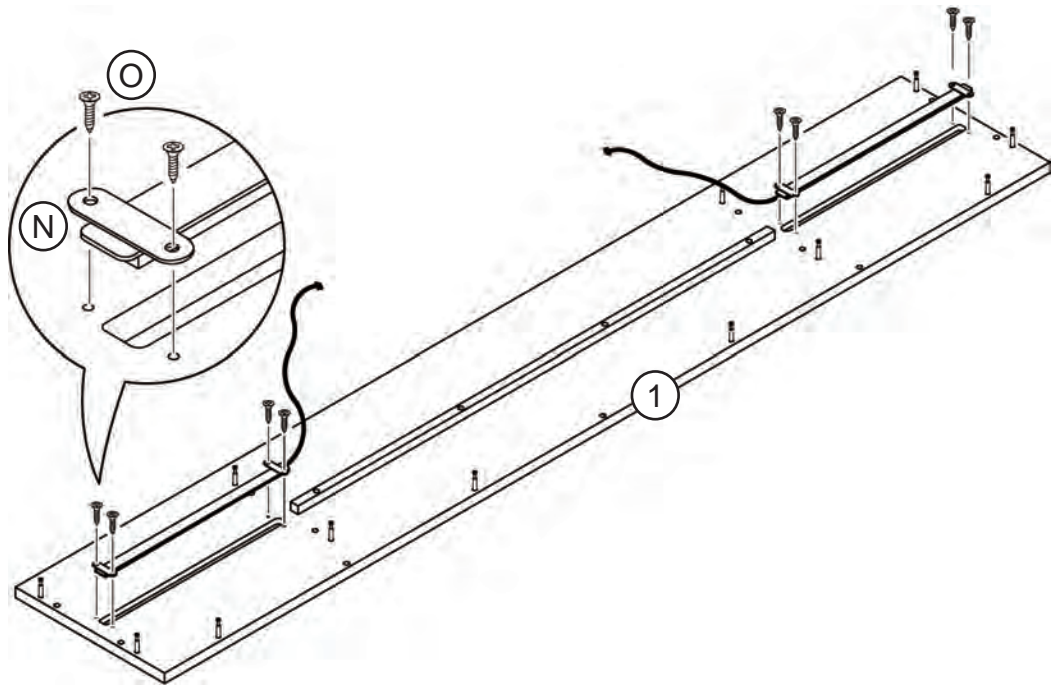
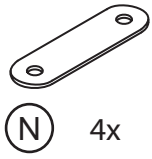
14

Attach cam bolts to the top panel (1) and bottom panel (2).



15

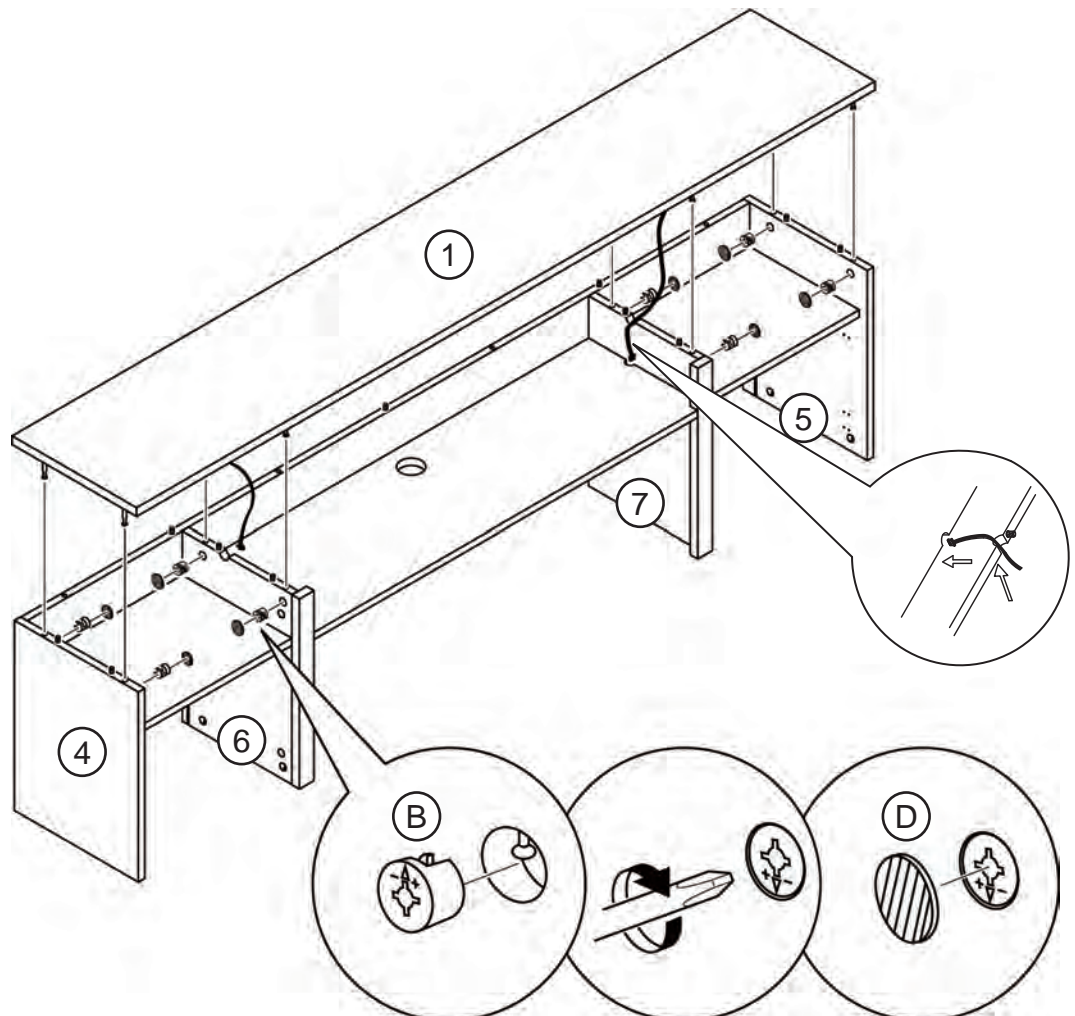
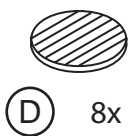
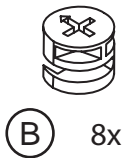
Place the fireplace LED light strip into the recessed slot of the top panel (1).



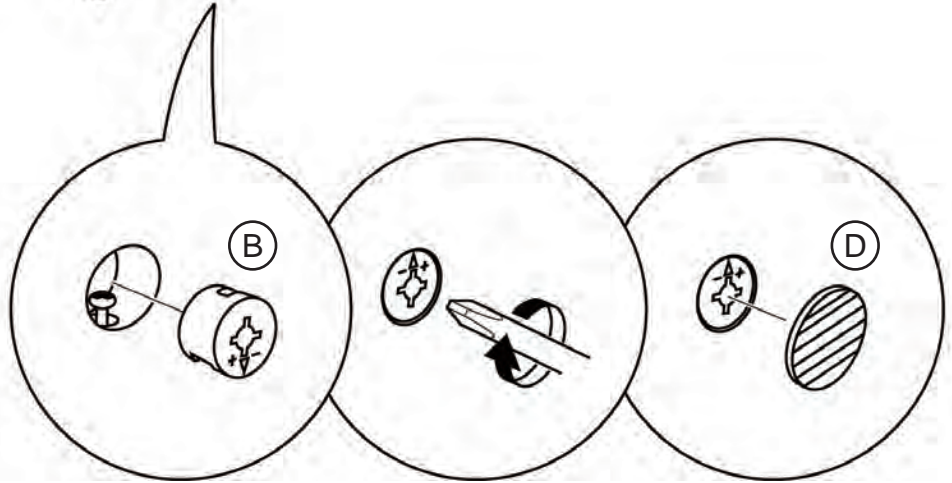
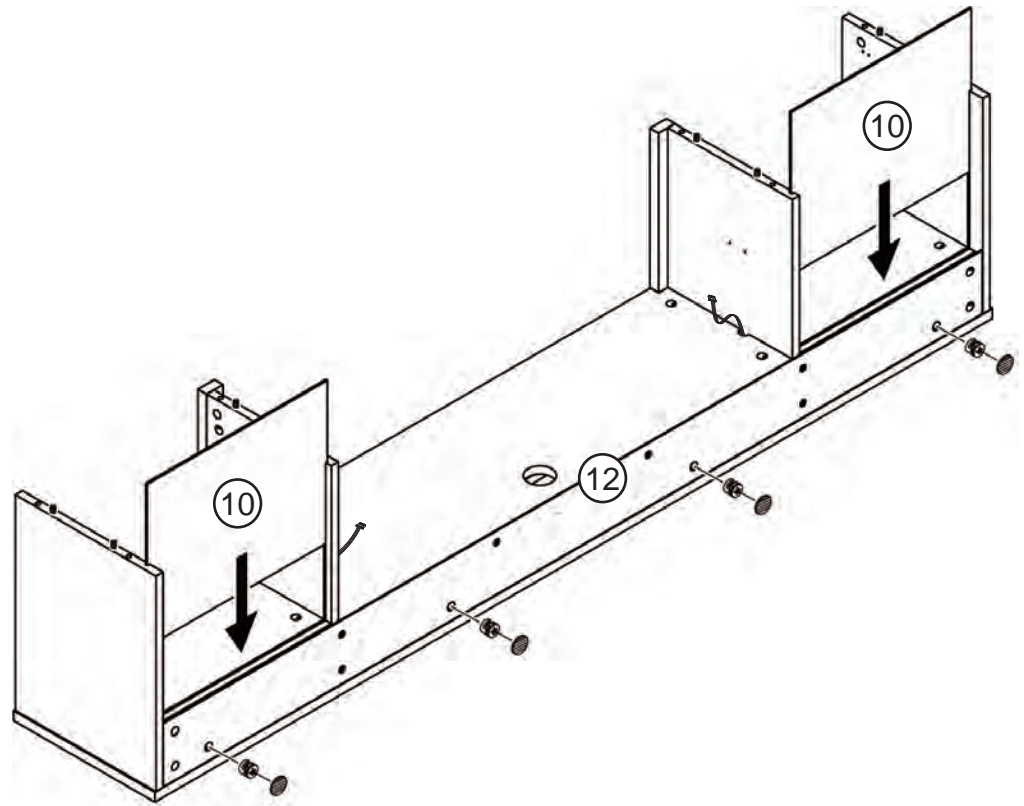
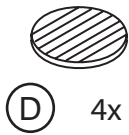
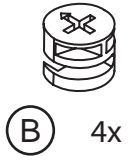
Note: The LED light strip is inside the packing case of the stove.

16

Assemble the top panel (1) on top of the assembly.

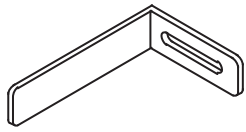


Slide back panels (10) into the assembly and secure the shelf cleat to the top panel.



18

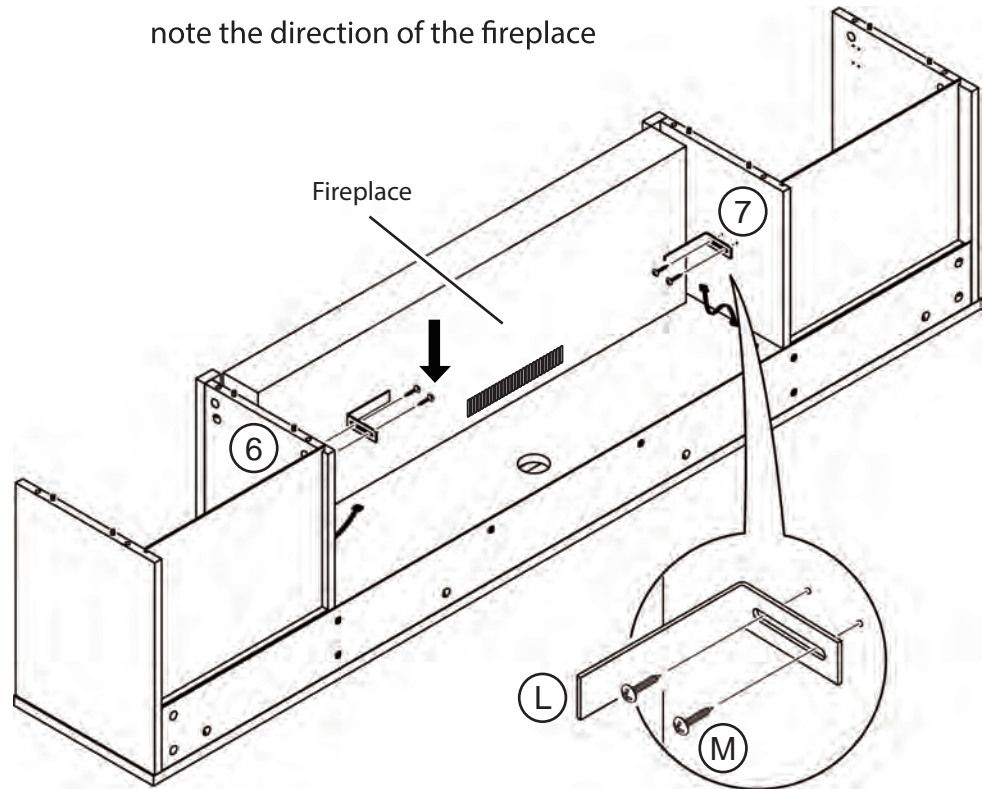
Place fireplace to the cabinet and hold it in position with metal brackets.



(L) 2x



(M) 4x



19

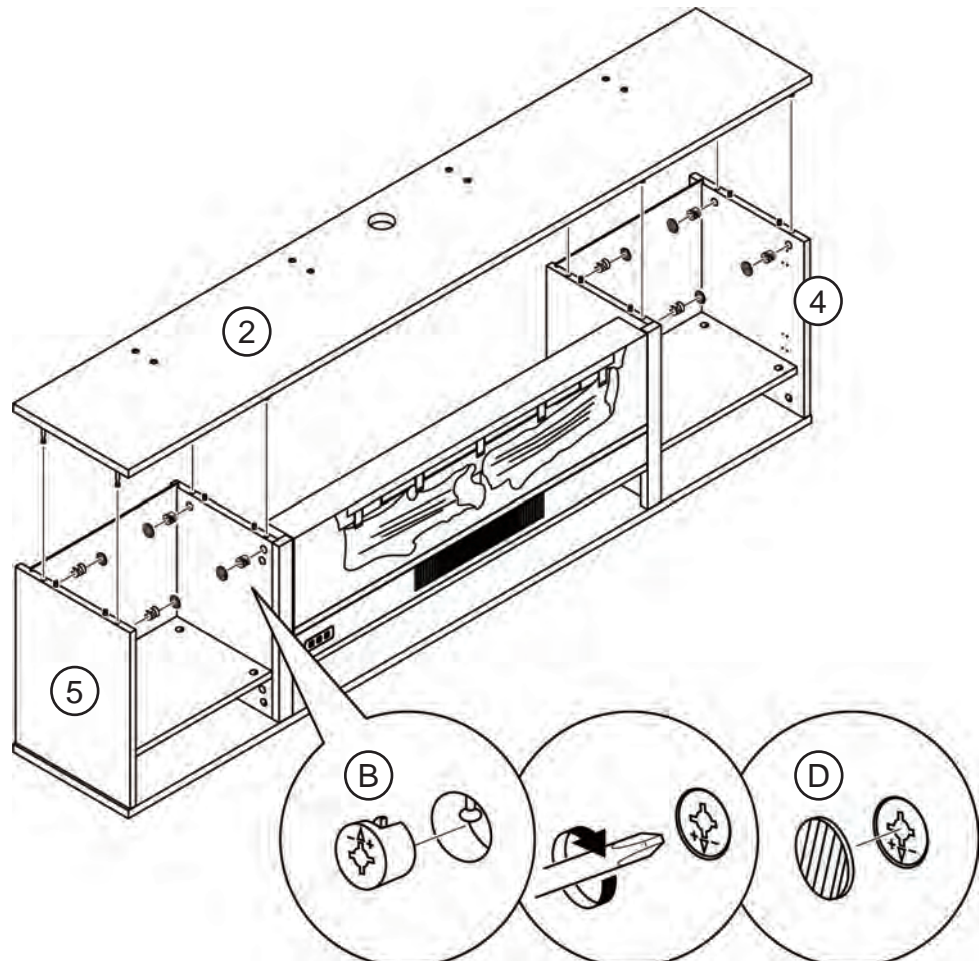
Assemble the bottom panel (2) to the cabinet assembly.



(B) 8x

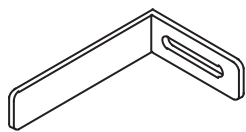


(D) 8x



20

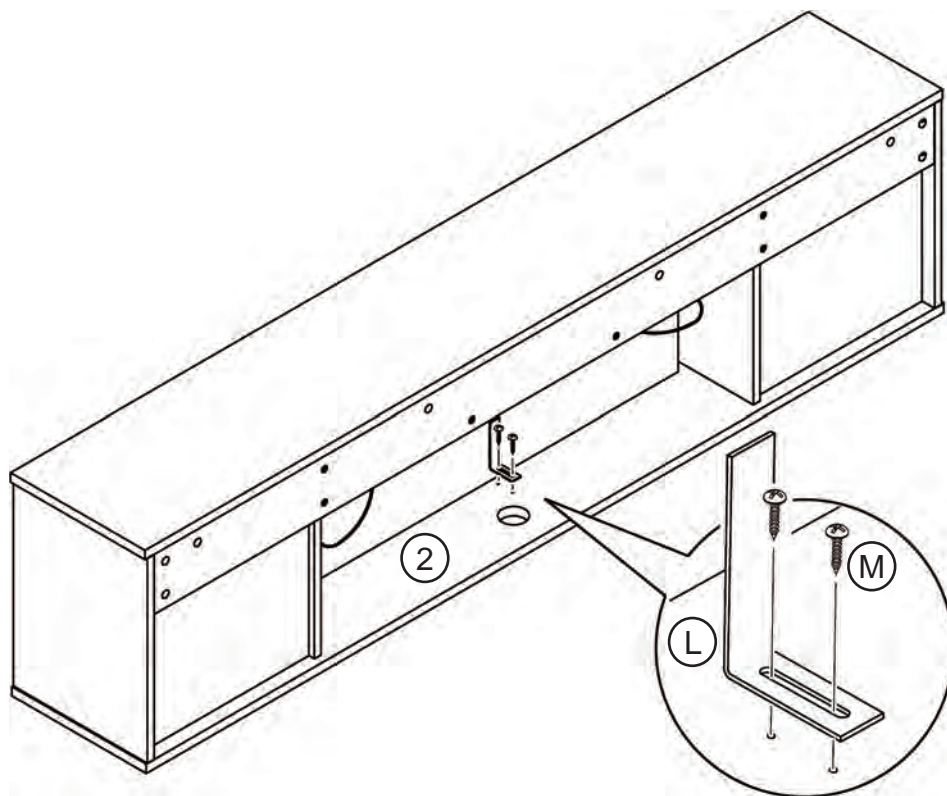
Further secure the fireplace in place by installing metal bracket to the bottom panel.



(L) 1x



(M) 2x



21

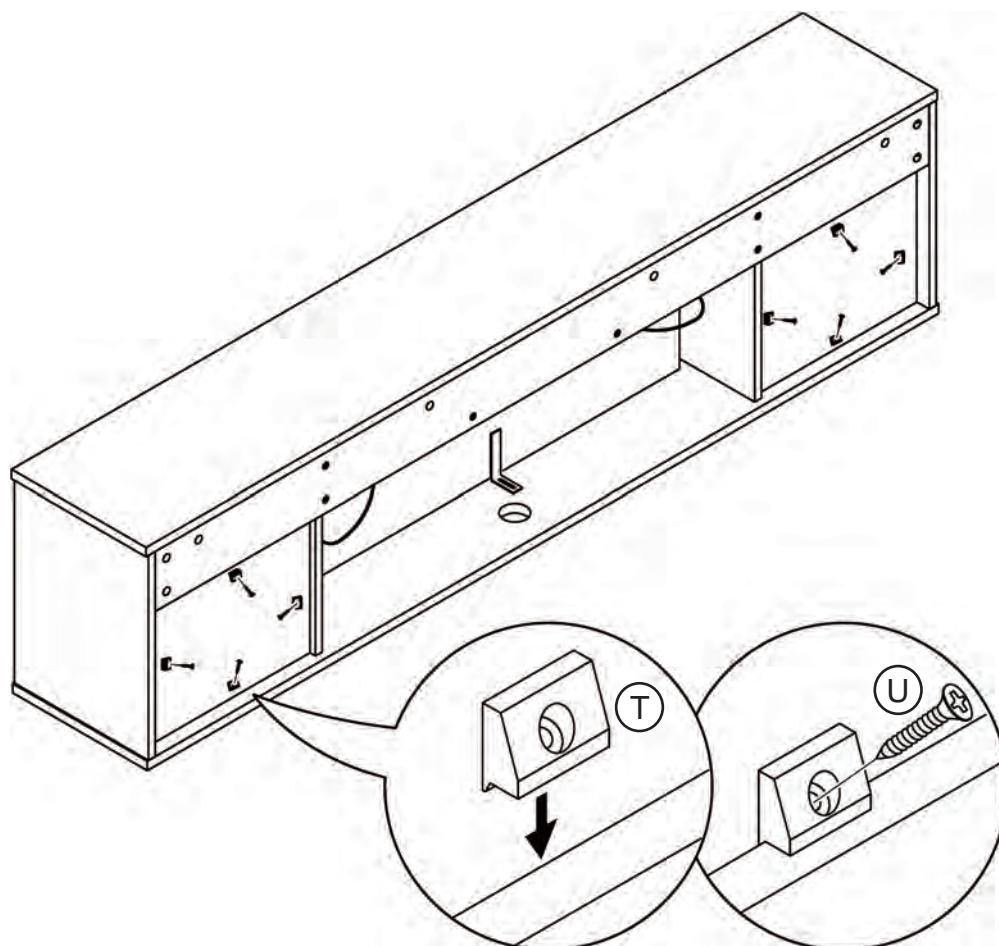
Secure back panels in place.



(T) 8x

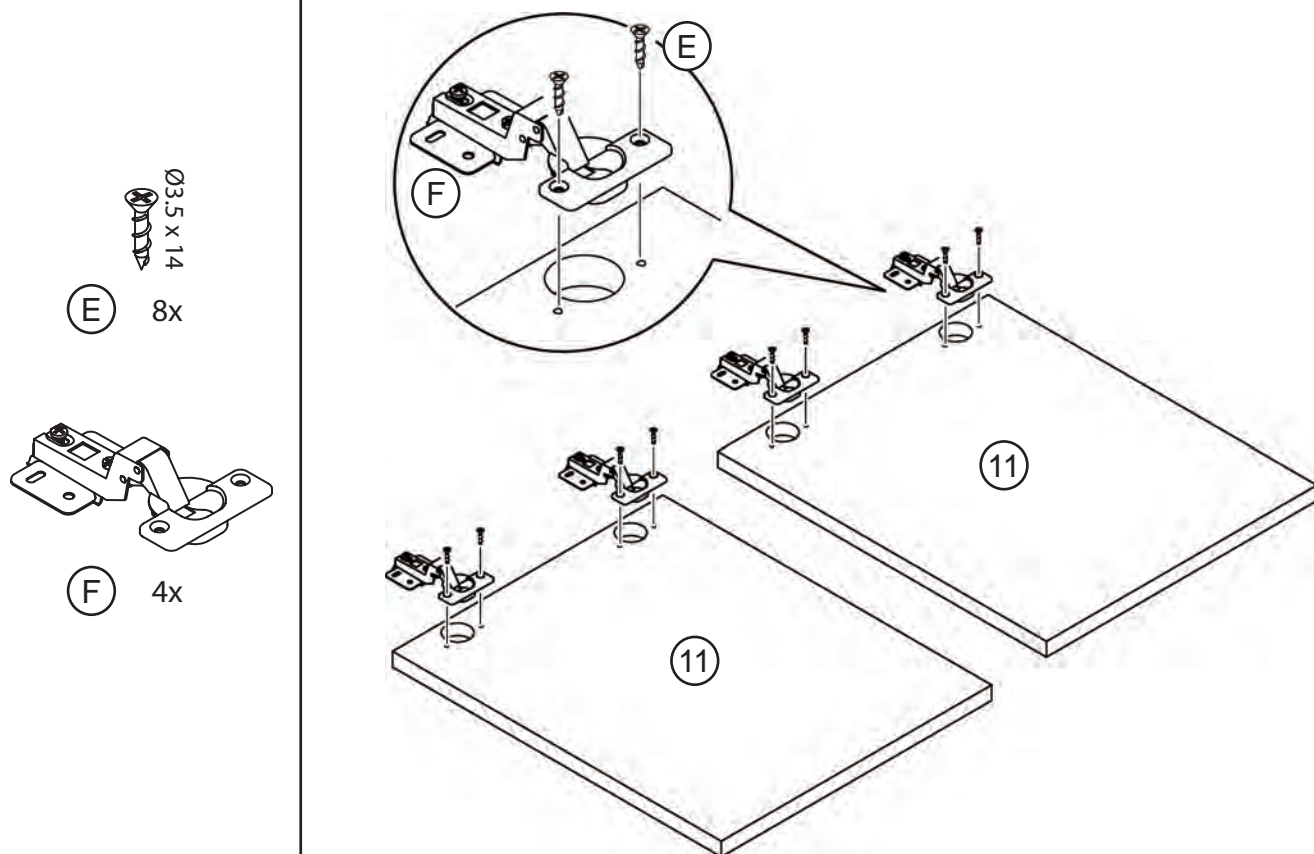


(U) 8x



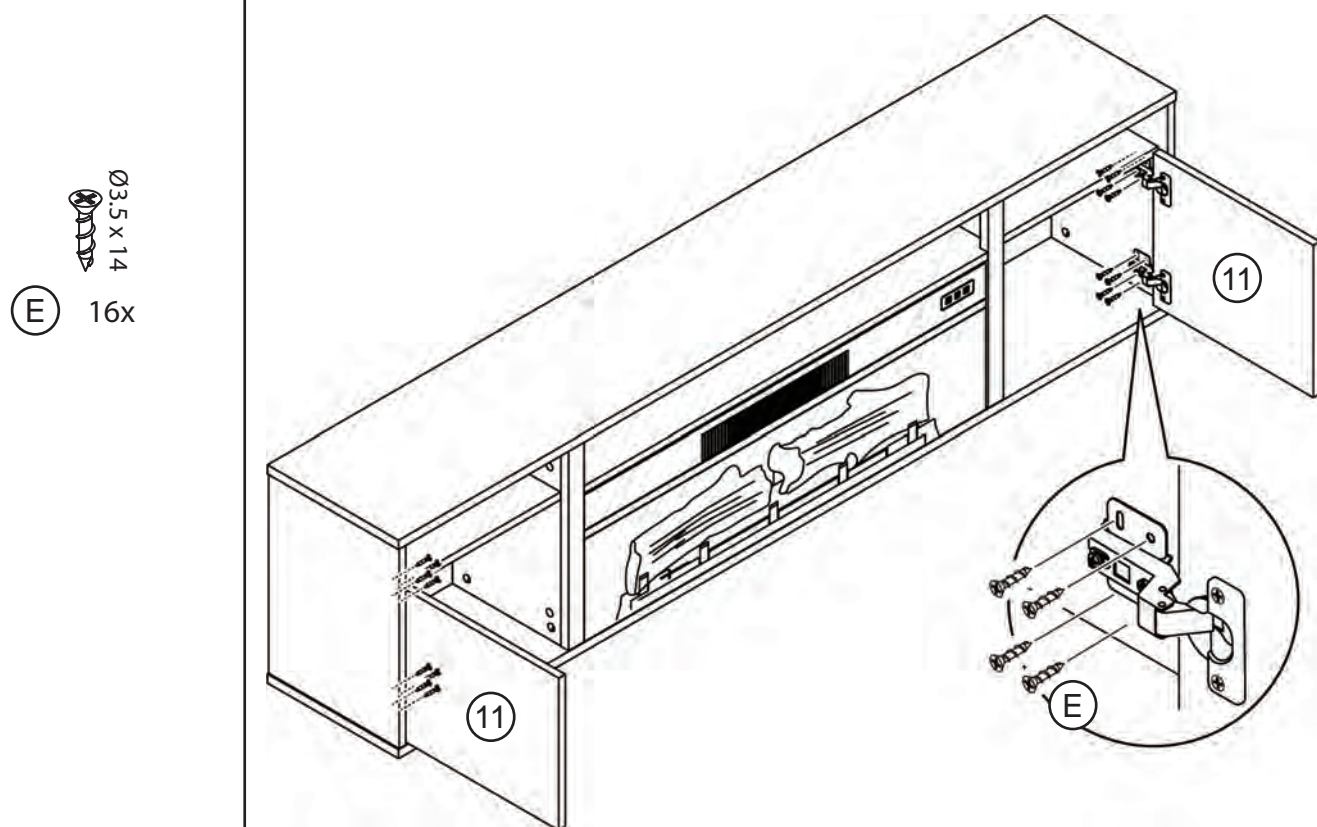
22

Attach door hinges to the cabinet doors (11).

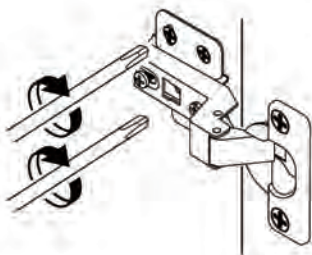
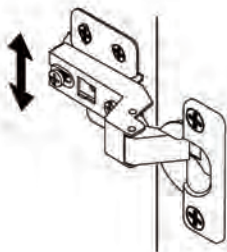
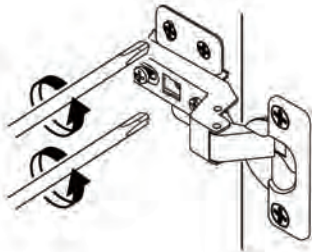
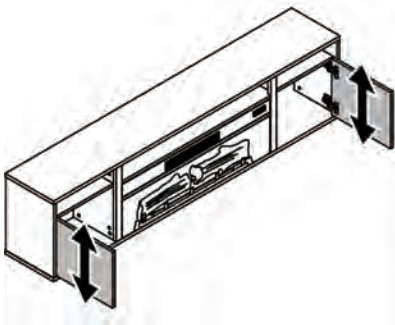


23

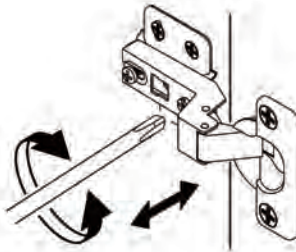
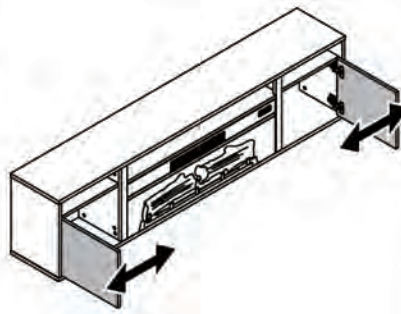
Assemble cabinet doors to the cabinet.



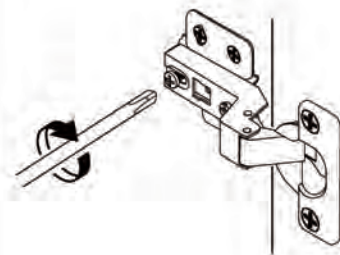
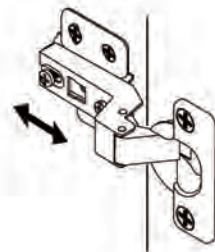
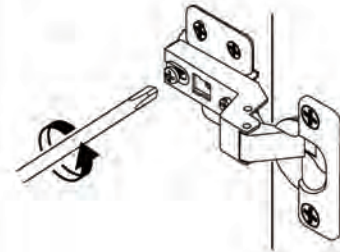
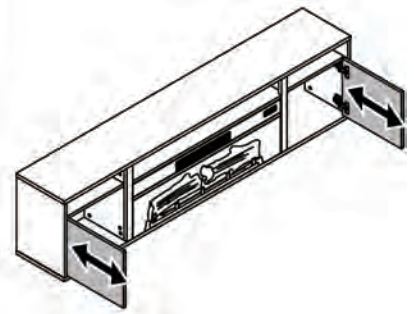
When the clearance of the door is uneven, Adjust the cabinet door according to the figure. If you still have trouble while adjusting the door, please contact us.



Up and down adjustment by loosening the screws on the mounting plate.

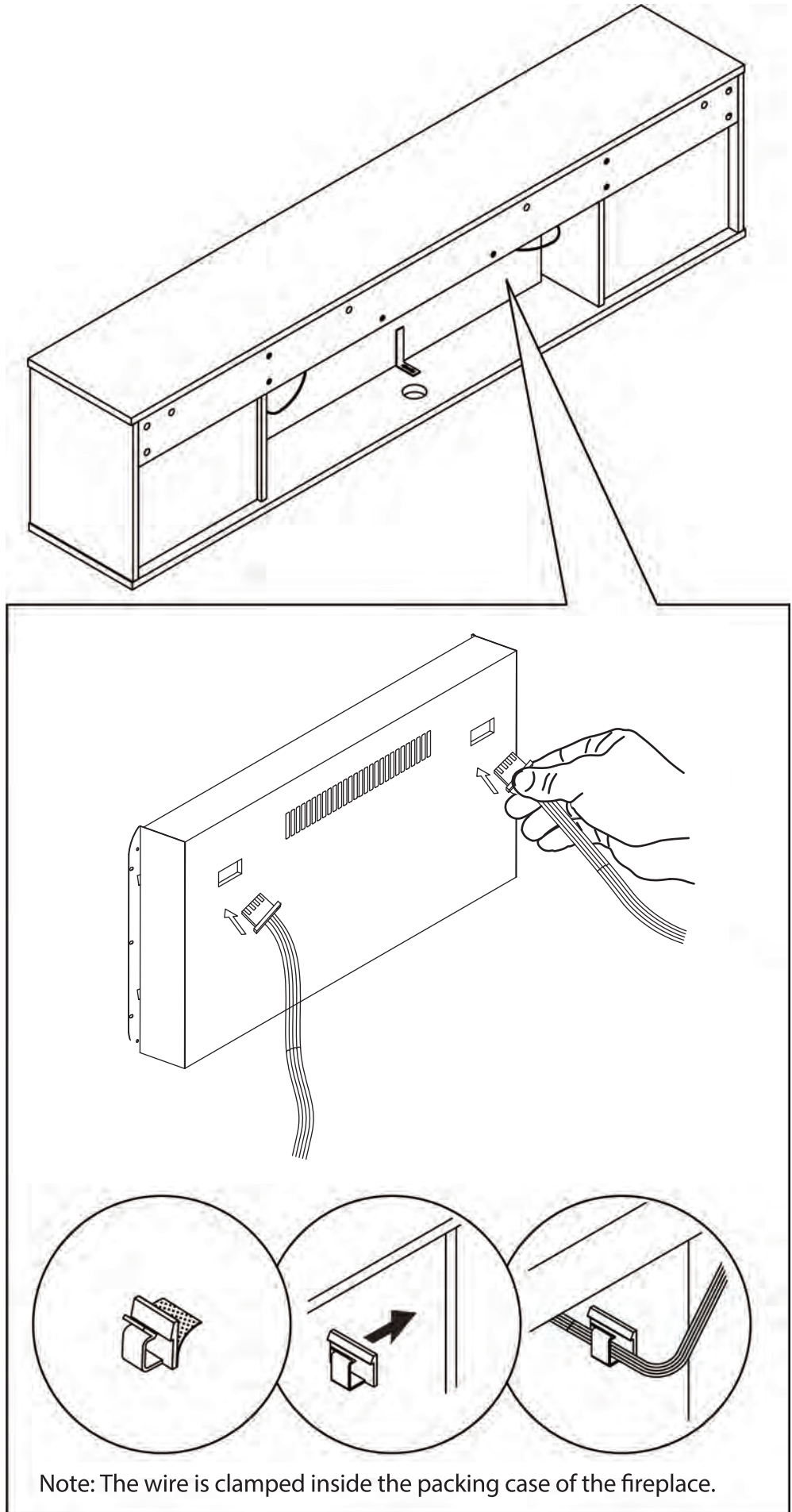


Side to side adjustment using the front adjustment screw on the hinge.




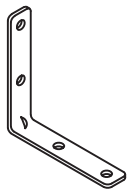
In and out adjustment by loosening the screws on the hinge arm.

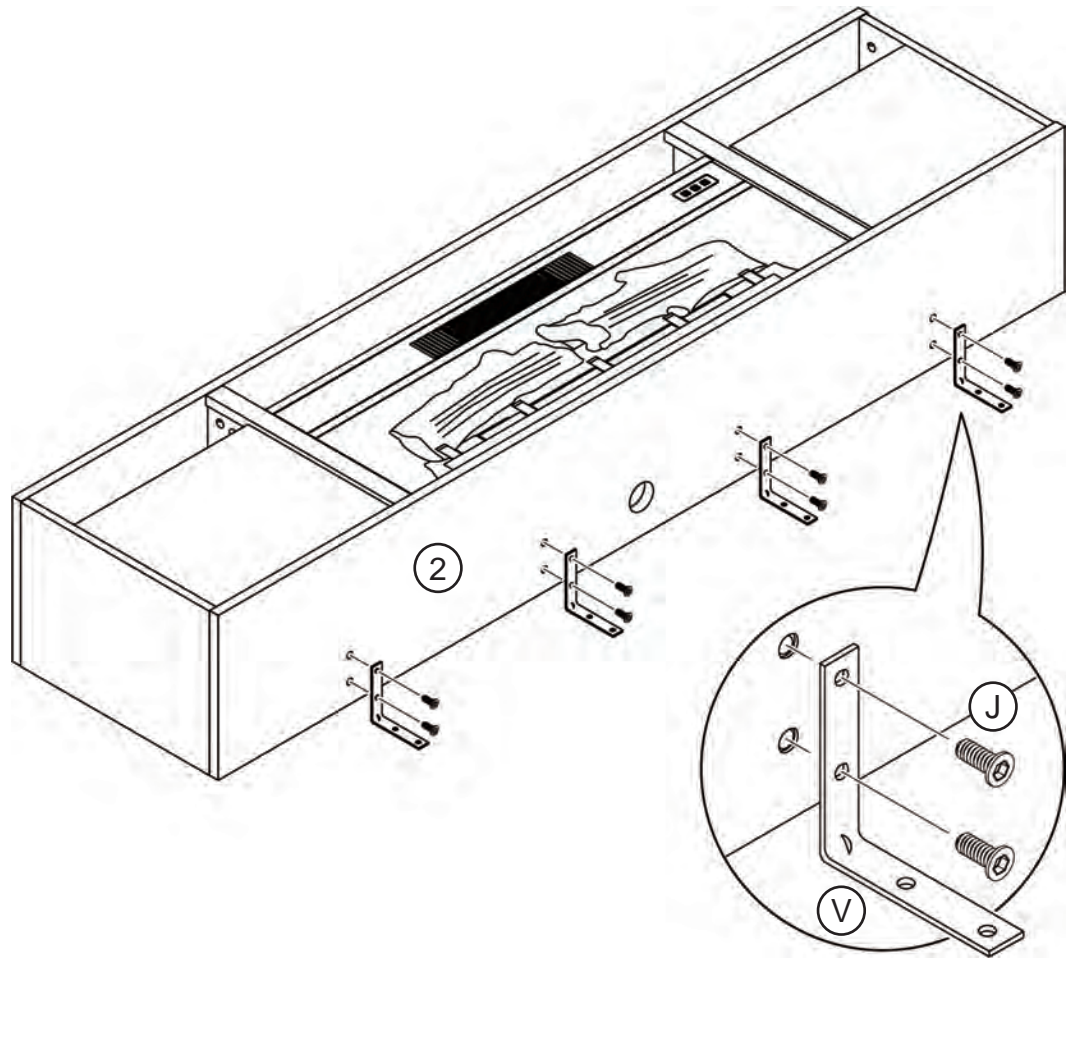
Connect the LED light strips to the fireplace.



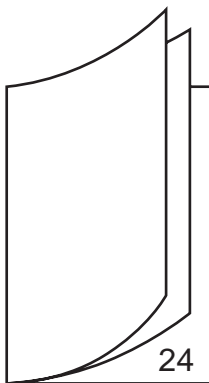
25

Attach metal brackets to the bottom of the cabinet.

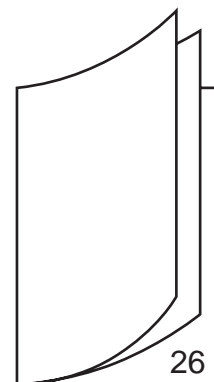
-  M6 x 12
- (J)** 8x
- 
- (V)** 4x



Install on drywall



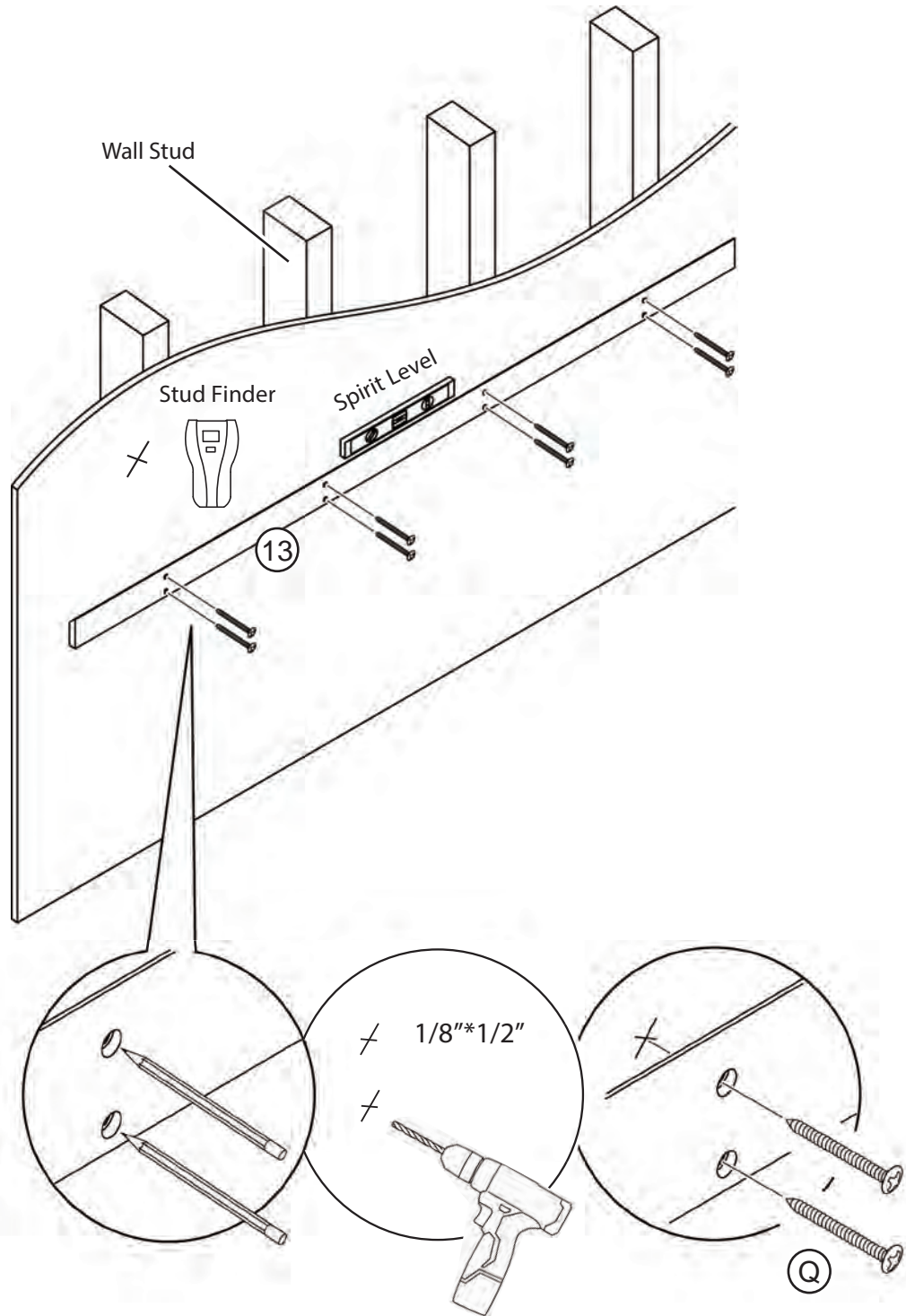
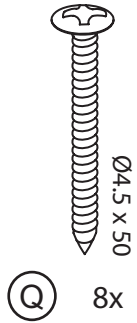
Install on concrete wall



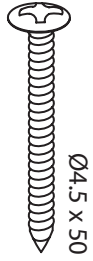
INSTALLING CABINET ON DRYWALL

26

Locate wall studs inside the drywall, and install wall cleat (13) on the wall by screwing wood screws through the cleat to the wall studs.



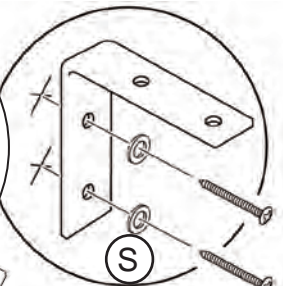
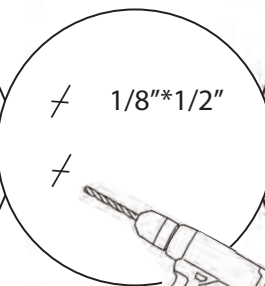
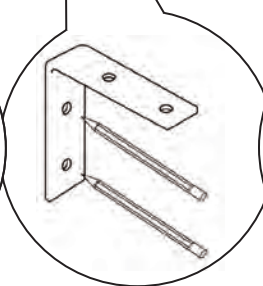
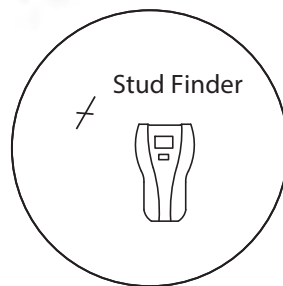
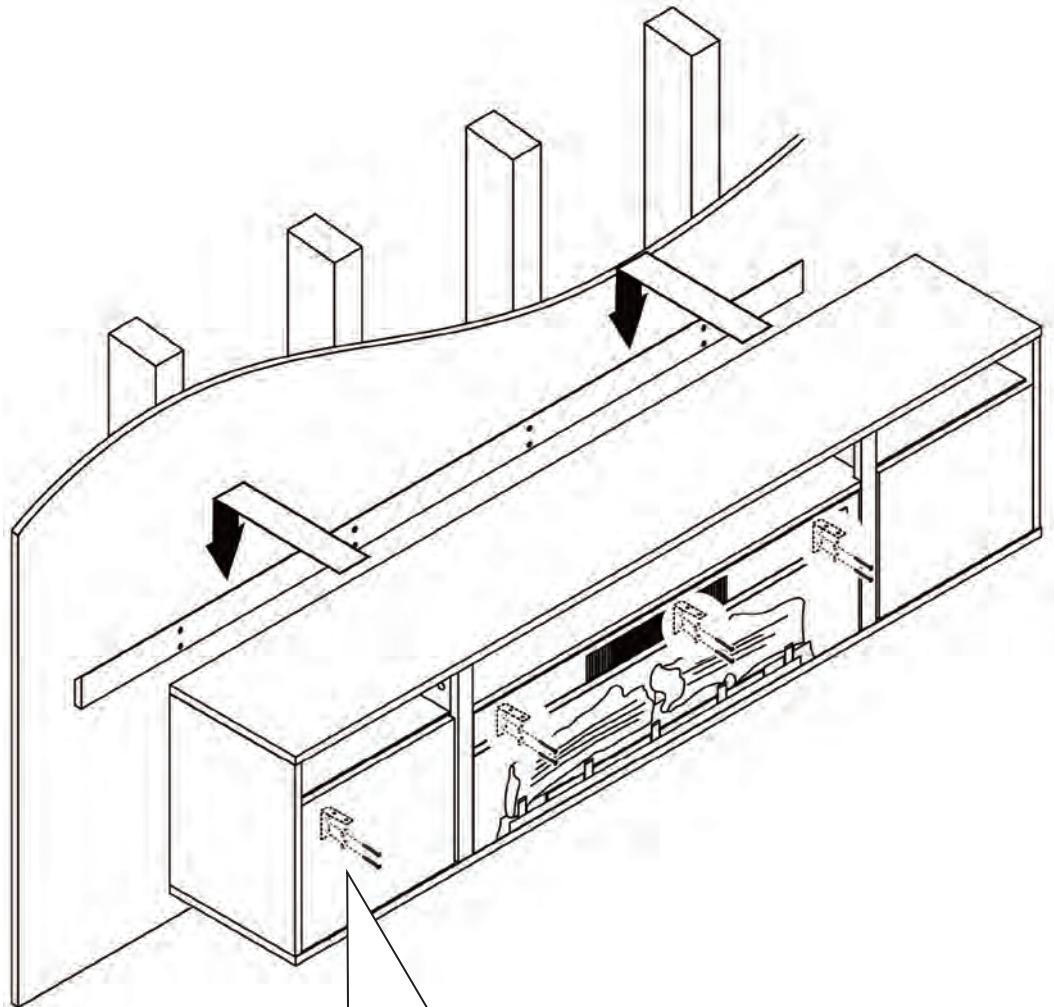
Hang the cabinet onto the wall cleat and secure the metal brackets on the bottom of the cabinet to the wall.



Q 8x



S 8x

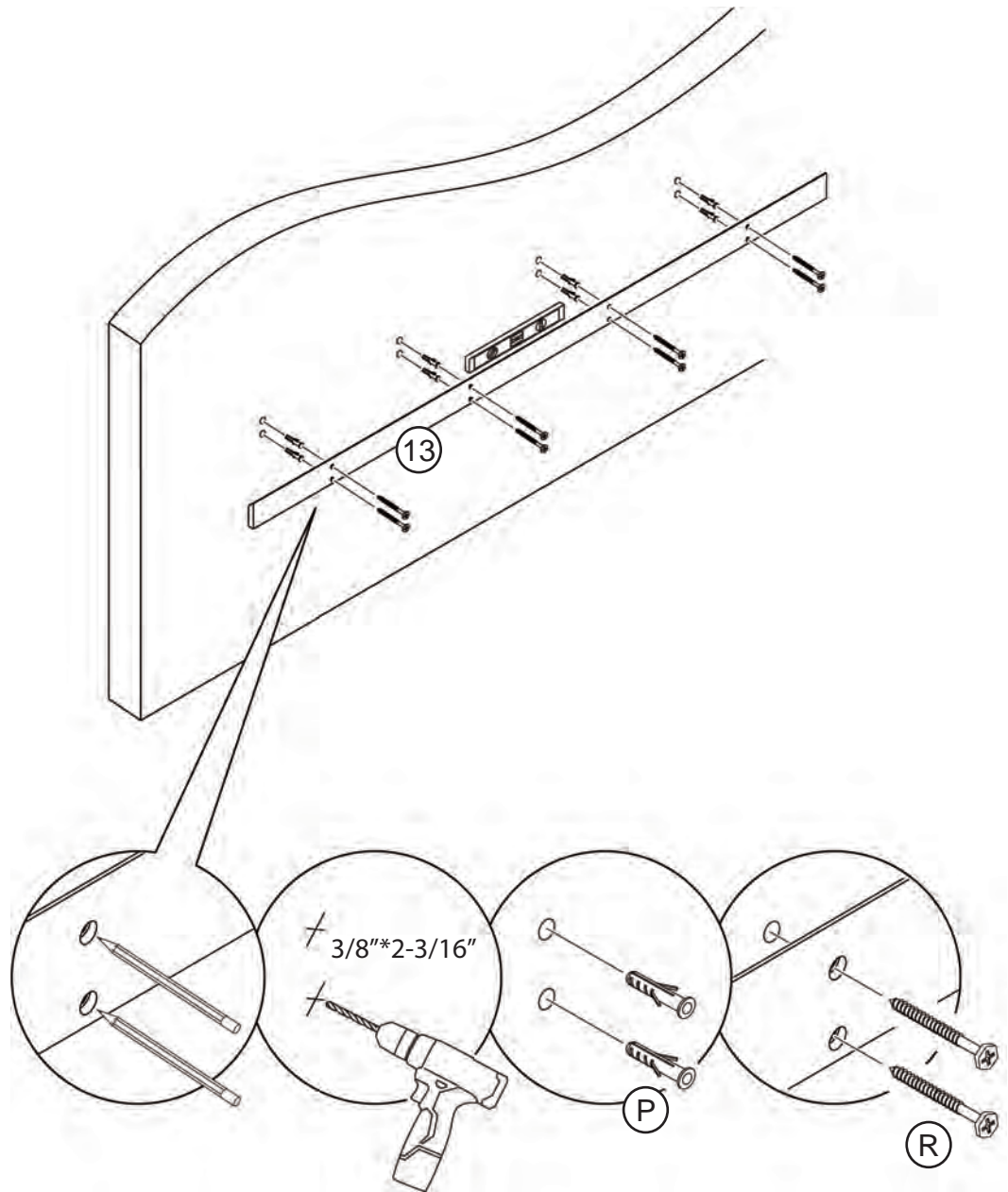
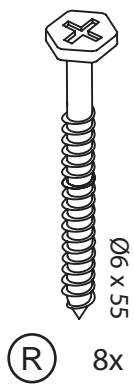
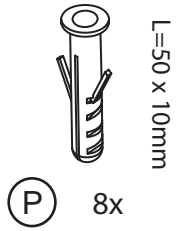


YOU'RE FINISHED!

INSTALLING CABINET ON CONCRETE WALL

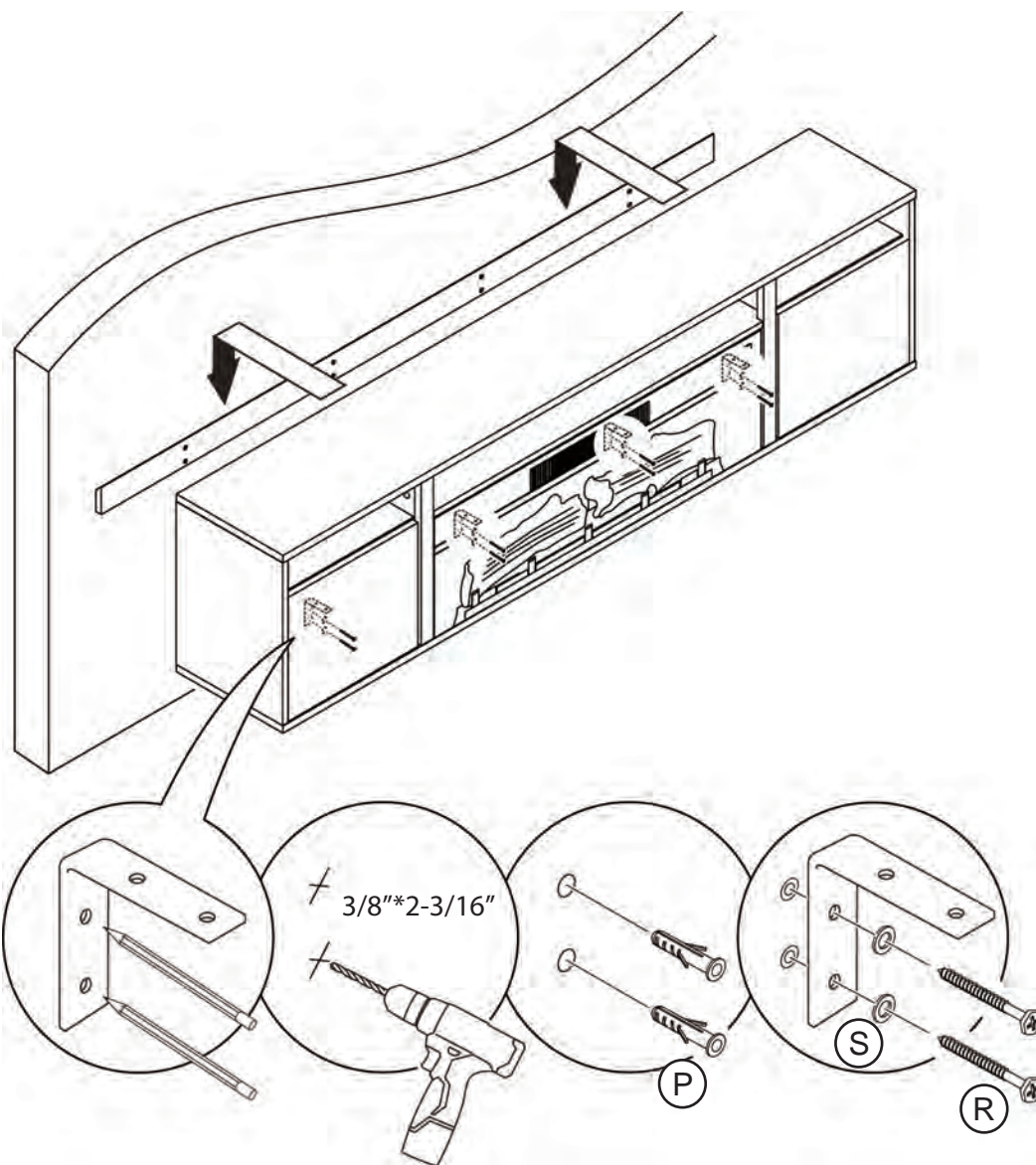
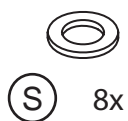
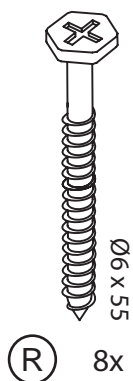
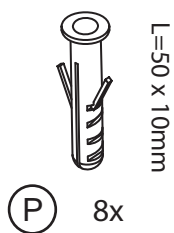
28

Install wall cleat (13) on the wall using screws and concrete anchors.

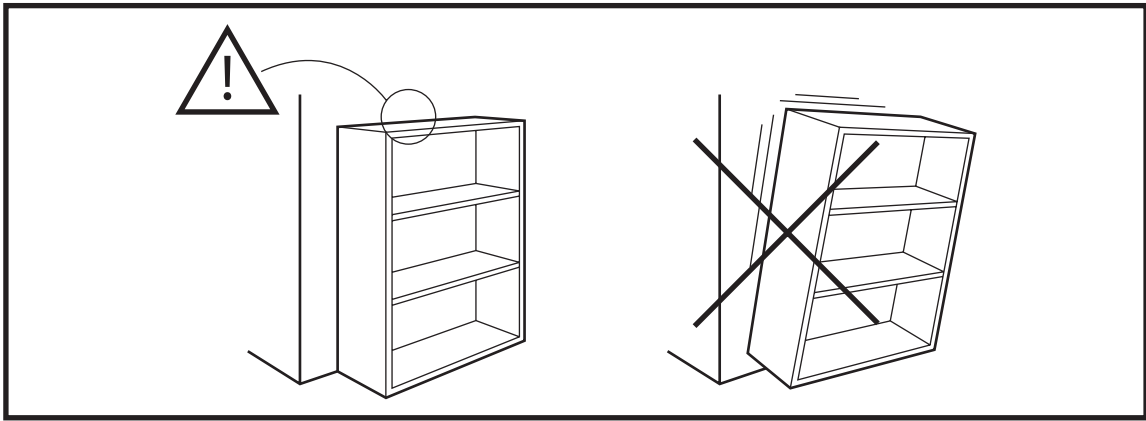


29

Hang the kitchen cabinet on the wall strip and mark the hole position. Then lift the cabinet down, drill pilot holes according to the marks, and install rubber plugs, Finally, hang the cabinet up and fix the metal bracket under it with screws.



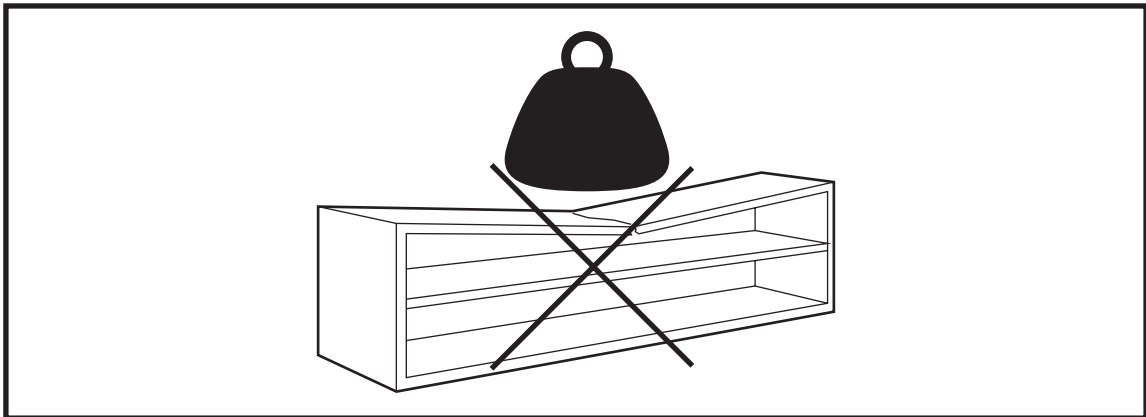
YOU'RE FINISHED!



Warning

Serious or fatal crushing injuries may occur if the furniture tip-over. Furniture must permanently affixed to the wall with included anti-tipping device in order to prevent the furniture from tipping over.

Different wall materials requires different types of wall anchors or screws. Use a suitable wall anchors or screws for your specific wall in order to secure the stability and load bearing capacity of the furniture. If you are uncertain about which type of device to use, please contact us or your local hardware store.



Warning

Only place items on top of the product if they meet the recommended size and weight limits.

Climbing on, stepping on, or placing overweighted objects on the product may cause property damage and/or injuries.

Items placed onto this product must be resting on a support surface without hanging over the edges.

WARNING

For use with televisions weighing 70lbs (31.8kg) or less. Use with heavier televisions may result in instability, causing tip over resulting in death or serious injury.

Death or serious injury may occur when children climb on audio and/or video equipment furniture. A remote control or toys placed on the furnishing may encourage a child to climb on the furnishing and as a result the furnishing may tip over on to the child.

Relocating audio and/or video equipment to furniture not specifically designed to support audio and/or video equipment may result in death or serious injury due to the furnishing collapsing or over turning onto a child.

NOTICE

The recommended maximum width of the television is 75 inches. Do not exceed the maximum load capacity.

This product is designed for flat panel TVs only.

FURNITURE CARE AND MAINTENANCE

Medium - Density Fiberboard

Thank you for your purchase. We want your item to last as long as possible. To ensure the product gives you years of longevity, please follow the recommendations in this care and maintenance guide.



MAINTENANCE

- Tighten all bolts and screws again within the first 2 weeks of assembly.
- Check the tightness of all bolts every 2 months and tighten them if necessary.



CLEANING

- Clean the surface of the MDF (medium - density fiberboard) with a lightly dampened cloth.
- A small amount of mild soap can be used if necessary.
- Dry the surface immediately after cleaning.

- ⚠ DO NOT use bleach or alcohol to clean the surface.
- ⚠ DO NOT apply wood treatment on parts made with MDF.

MDF will swell and distort when exposed to water damage. Make sure to dry the furniture immediately after cleaning.

⚠ WARNING

The manufacturer and seller are not responsible for any and all liability relating to personal injury, property damage or losses, whether direct, indirect, or incidental, resulting from the incorrect attachment, improper use, inadequate maintenance, unapproved modification or neglect of this product.

WARRANTY

Our products come with a 1-year warranty from the date of delivery. **Register your product on our website to enjoy our limited lifetime warranty!**

AFTER-SALE SERVICE



Encounter any difficulties or missing parts?



Contact our customer service.



We will send you replacement.



Hassle free!
No need to worry about repackaging and sending your item back.