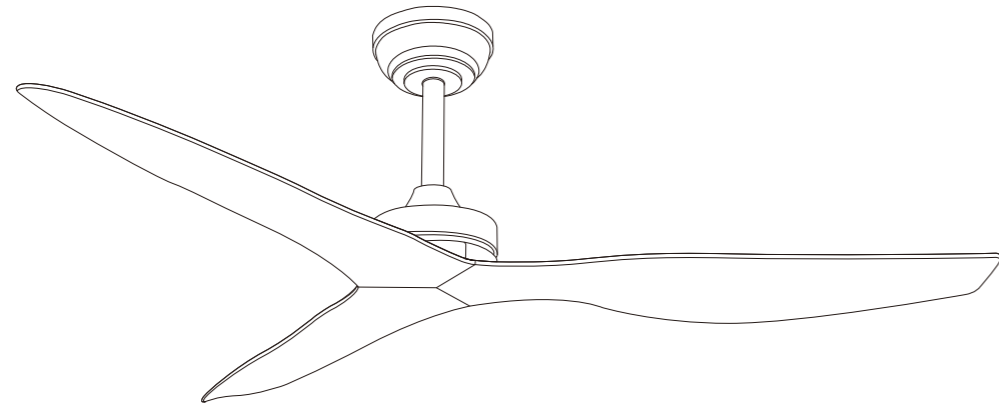


# Ceiling Fan without Light

Model: DS20002W



## CEILING FAN INSTRUCTION MANUAL

### SAFETY RULES

1. To reduce the risk of electric shock, ensure electricity has been turned off at the circuit breaker or fuse box before beginning.
  2. All wiring must be in accordance with the National Electrical Code "ANSI/NFPA 70-1999" and local electrical codes. Electrical installation should be performed by a qualified licensed electrician.
  3. The outlet box and support structure must be securely mounted and capable of reliably supporting a minimum of 53lbs. Use only UL-listed outlet boxes marked "FOR FAN SUPPORT."
  4. The fan must be mounted with a minimum of 7 ft. clearance from the trailing edge of the blades to the floor.
  5. Avoid placing objects in the path of the blades.
  6. To avoid personal injury or damage to the fan and other items, be cautious when working around or cleaning the fan.
  7. Do not use water or detergents when cleaning the fan or fan blades. A dry dust cloth or lightly dampened cloth will be suitable for most cleaning.
  8. After making electrical connections, spliced conductors should be turned upward and pushed carefully up into the outlet box. The wires should be spread apart with the grounded conductor and the equipment-grounding conductor on one side of the outlet box and ungrounded conductor on the other side of the outlet box.
  9. All setscrews must be checked and retightened where necessary before installation.
  10. Turn the fan off and wait for the blades to stop completely before performing any maintenance or cleaning.
- NOTE:** The important safeguards and instructions appearing in this manual are not meant to cover all possible conditions and situations that may occur. It must be understood that common sense, caution and care are factors which cannot be built into this product. These factors must be supplied by the person (s) installing, caring for and operating the unit.

### WARNING

1. TO REDUCE THE RISK OF FIRE, ELECTRIC SHOCK, OR OTHER PERSONAL INJURY, MOUNT FAN ONLY ON AN OUTLET BOX OR SUPPORTING SYSTEM MARKED ACCEPTABLE FOR FAN SUPPORT OF 35 LBS (15.9 KG) OR MORE NOTLESS AND USE MOUNTING SCREWS PROVIDED WITH THE OUTLET BOX, MOST OUTLET BOXES COMMONLY USED FOR THE SUPPORT OF LIGHTING FIXTURES ARE NOT ACCEPTABLE FOR FAN SUPPORT AND MAY NEED TO BE REPLACED. CONSULT A QUALIFIED ELECTRICIAN IF IN DOUBT.
2. TO REDUCE THE RISK OF PERSONAL INJURY, DO NOT BEND THE BLADE HOLDERS WHILE INSTALLING, BALANCING THE BLADES OR CLEANING THE FAN. DO NOT INSERT FOREIGN OBJECTS BETWEEN ROTATING FAN BLADES.
3. THE CEILING FAN LIGHT CAN ONLY BE CONTROLLED BY THE REMOTE CONTROL. IF CONNECTED TO A WALL SWITCH, THERE IS A POSSIBILITY OF DEVICE ERRORS OR MISSING FUNCTIONS.

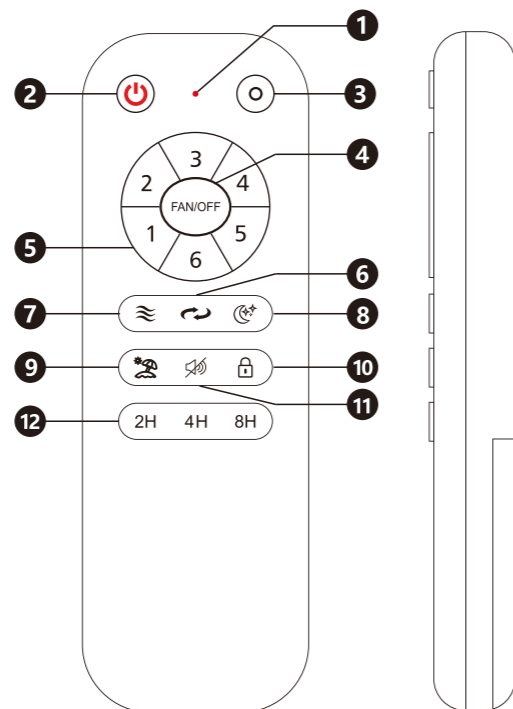
### OPERATING THE REMOTE CONTROL

Remote Control only: Install an 1.5V(AAA) x 2 Battery . To prevent damage to transmitter remove the battery if not used for long periods of time

**WARNING:** Non-rechargeable batteries are not to be recharged. Batteries are to be inserted with the correct polarity. Exhausted batteries are to be removed from the product. DO NOT DISPOSE OF BATTERIES IN FIRE. BATTERIES MAY EXPLODE OR LEAK

#### Operation buttons on the panel of the remote control transmitter.

- 1-LED indicated light
- 2-Total ON/OFF key
- 3-Matching keys
- 4-To turn fan OFF
- 5-Fan speeds: To turn fan ON 1 (lowest) to 6 (highest)
- 6-Reverse function for winter & summer
- 7-Breeze: fan speeds automatic cycle between 1 to 6 speeds
- 8-Sleep mode: starts at level 6 and decreases one level every hour. When it reaches level 2, the fan will continue to operate at level 2 speed.
- 9-Vacation mode: switch on the light kit 5 minutes each 2 hours
- 10-Lock key: Pressing this button will disable all other buttons. Press it twice in quick succession to unlock the keyboard.
- 11-Mute key: Pressing this button will silence all sound notifications from the device. Press it again to cancel the mute function.
- 12-Timer: Fan stops after 2h/4h/8h



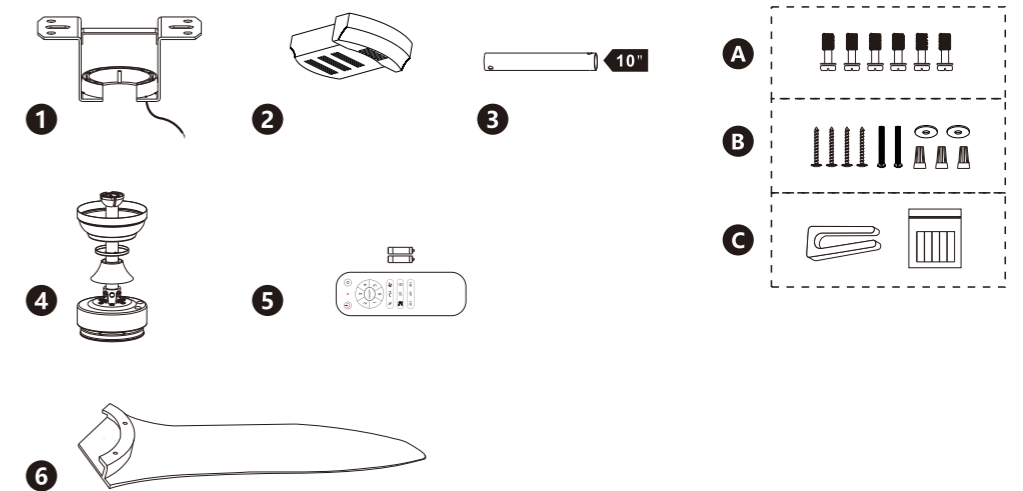
#### FINAL INSTALLATION

If you wish to use the remote control bracket from remote pack on a wood surface, install bracket screws from remote pack through bracket and into the desired installation site.

### PACKAGE CONTENTS

Unpack your fan and check the contents. You should have the following items:

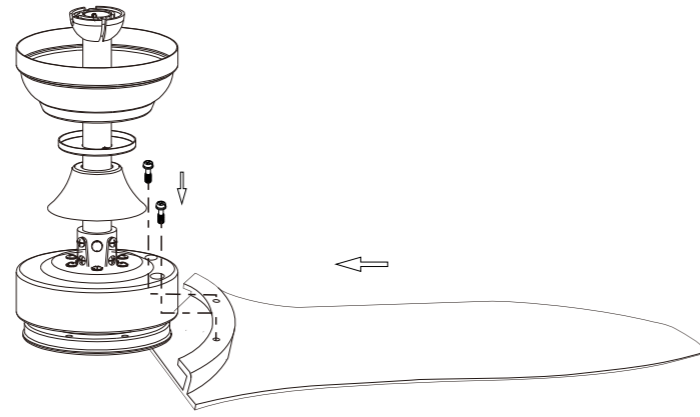
1. Hanger bracket
  2. Receiver
  3. Downrod assembly (5" Downrod Pre-installed)
  4. DC Motor + 2 Mounting Screws + 23A 12 volt battery
  5. Remote control + holder
  6. Fan blade (3 pcs)
- A. Blade attachment hardware  
B. Mounting hardware  
C. Dynamic bladebalancing kit



## Installation Instruction

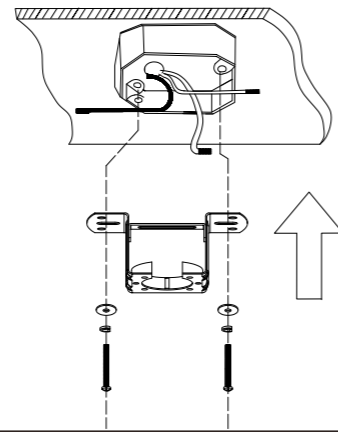
### Step 1

Install the fan blade to the motor with screws provided, then tight all the screws.



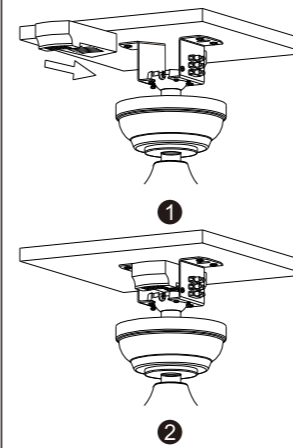
### Step 2

Secure the Hanger Bracket to the ceiling outlet box using the screws provided with your outlet box in conjunction.



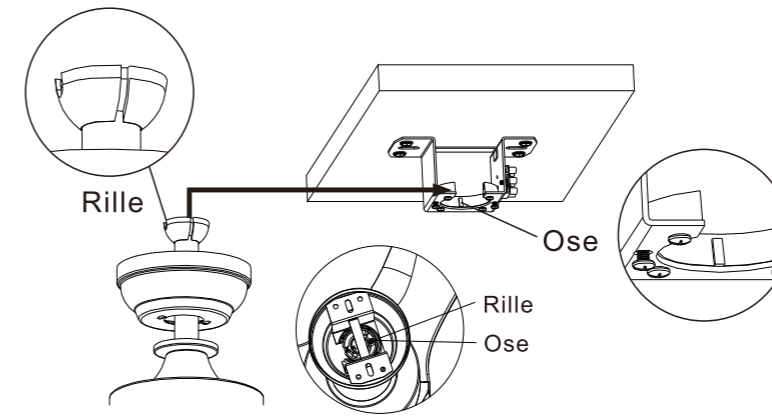
### Step 4

Place the receiver on the hanger bracket



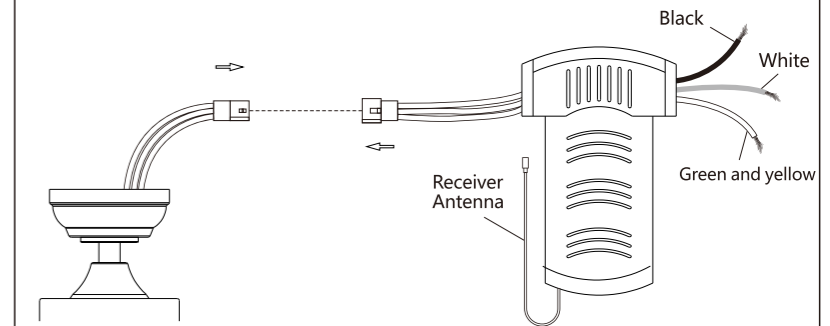
### Step 3

Hang the fan by placing the hanger assembly into the ceiling hanger bracket.



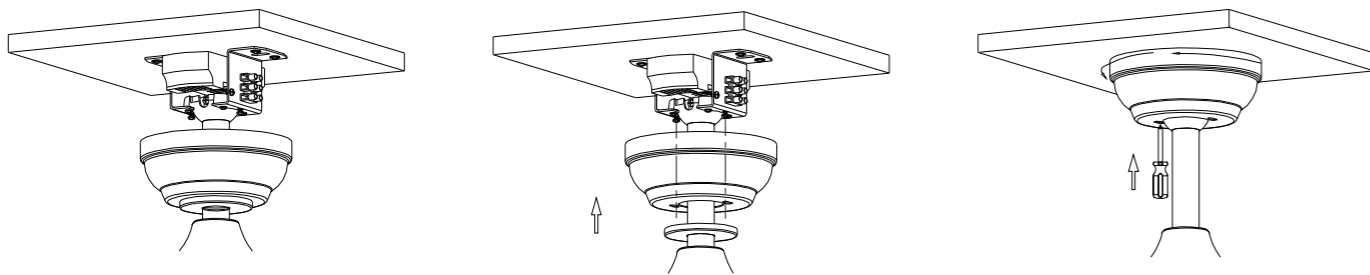
### Step 5

Connect wires as picture.



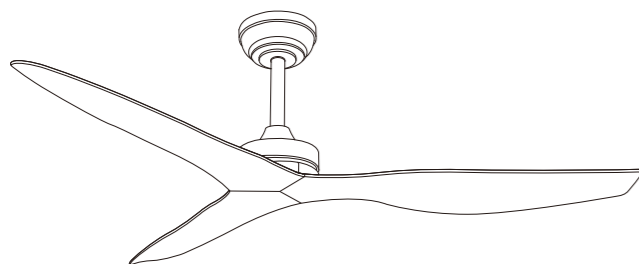
### Step 6 Install the canopy

- Insert the receiver into the hanger bracket.
- Loosen the two screws on the hanger bracket.
- Lift up the canopy to the hanger bracket.
- Tighten the two screws properly.



### Step 7

Finish.



## TROUBLE SHOOTING

If you experience any trouble during assembly, installation, or wiring, please check this Trouble Shooting Table. If a problem cannot be remedied, please contact our customer center.

### Q1

If the fan does not start

- Check main and branch circuit fuses or circuit breakers.
- Check line wire connections to fan and switch wire connections in the switch housing.  
Caution: Make sure the main power is turned off.
- If this fan uses a manual forward/reverse switch, make sure the switch is pushed firmly either way.

### Q2

If the fan sounds noisy

- Check to make sure all screws in motor housing are snug (not overtightened).
- Check to make sure the screws which attach the fan blade holders to the motor are tight.
- Check to make sure wire nut connectors in switch housing are not rattling against each other or against the interior wall of the switch housing.  
Caution: Make sure the main power is turned off before entering switch housing.
- Some fan motors are sensitive to signals from Solid State variable speed controls. Allow a "break-in" period of 24 hours. Most noises associated with a new fan will disappear after this period.

### Q3

If the fan wobbles

- If this is a downrod mount fan, make sure the loop and hanger bolt properly fitted.
- Make sure the canopy, hanger bolt tightened securely to the ceiling.
- Check that all blades are screwed firmly into blade shank.  
Check all blades hank are tightened to the motor.

### Q4

If the light does not work

- Check for loose or disconnected wires in the light kit.
- Remove light lit and check the plug connections if they are present.
- If this fan uses a remote controller, make sure dip switches are setting properly and make sure the battery is effective.  
Caution: Make sure the main power is turned off before entering switch housing and / or canopy.