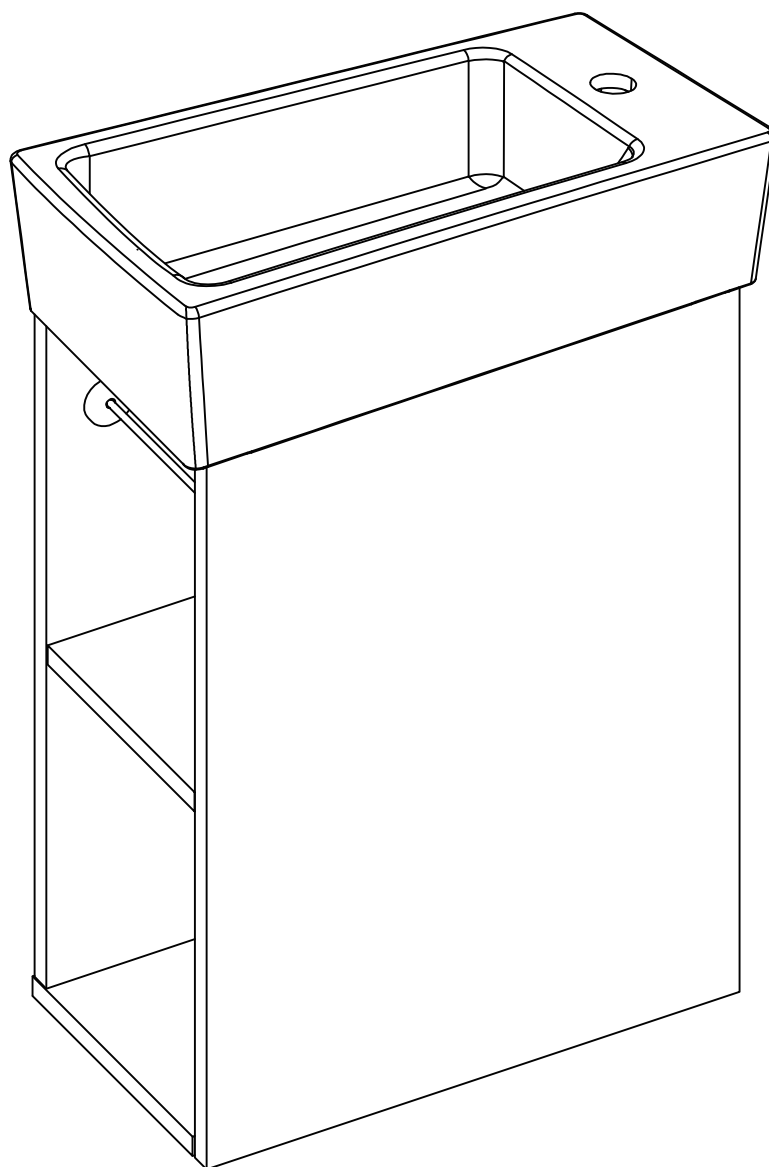


INSTALLATION INSTRUCTIONS

DeerValley®

Wall-Hung Bathroom Vanity with Sink





Before Installation:

1. Check that all parts and accessories are included.
2. Ensure the wall is solid and can support the cabinet and sink.
3. Shut off the water supply and prepare necessary plumbing connections.
4. Installation must be done by qualified personnel.
5. Read the instructions carefully before starting.
6. Handle ceramic parts with care.
7. Do not overtighten screws.

**If you have any questions or concerns,
please contact us**

+44 7883 319408
service@deervalleybath.com

1. RECOMMENDED TOOLS



Electric drill



Screwdriver



Spirit level



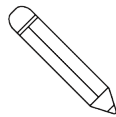
Silicone sealant



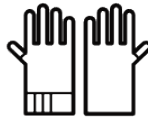
Safety goggles



Tape measure



Pencil



Protective gloves



Hammer

Note: The tools listed are not included in the package.

2. CARE & MAINTENANCE

(1) Routine Cleaning

Wipe the surface regularly with a soft, damp cloth. Mild soap or non-abrasive cleaners are recommended.

(2) Avoid Harsh Chemicals

Do not use bleach, ammonia, acidic, or abrasive cleaners, as they may damage the finish.

(3) Prevent Water Damage

Dry any water spills promptly, especially around seams and edges, to prevent moisture from seeping in.

(4) Protect the Surface



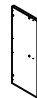



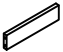




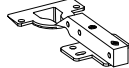







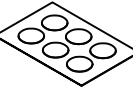
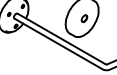


Avoid placing heavy or sharp objects directly on the cabinet or sink to prevent scratches and dents.

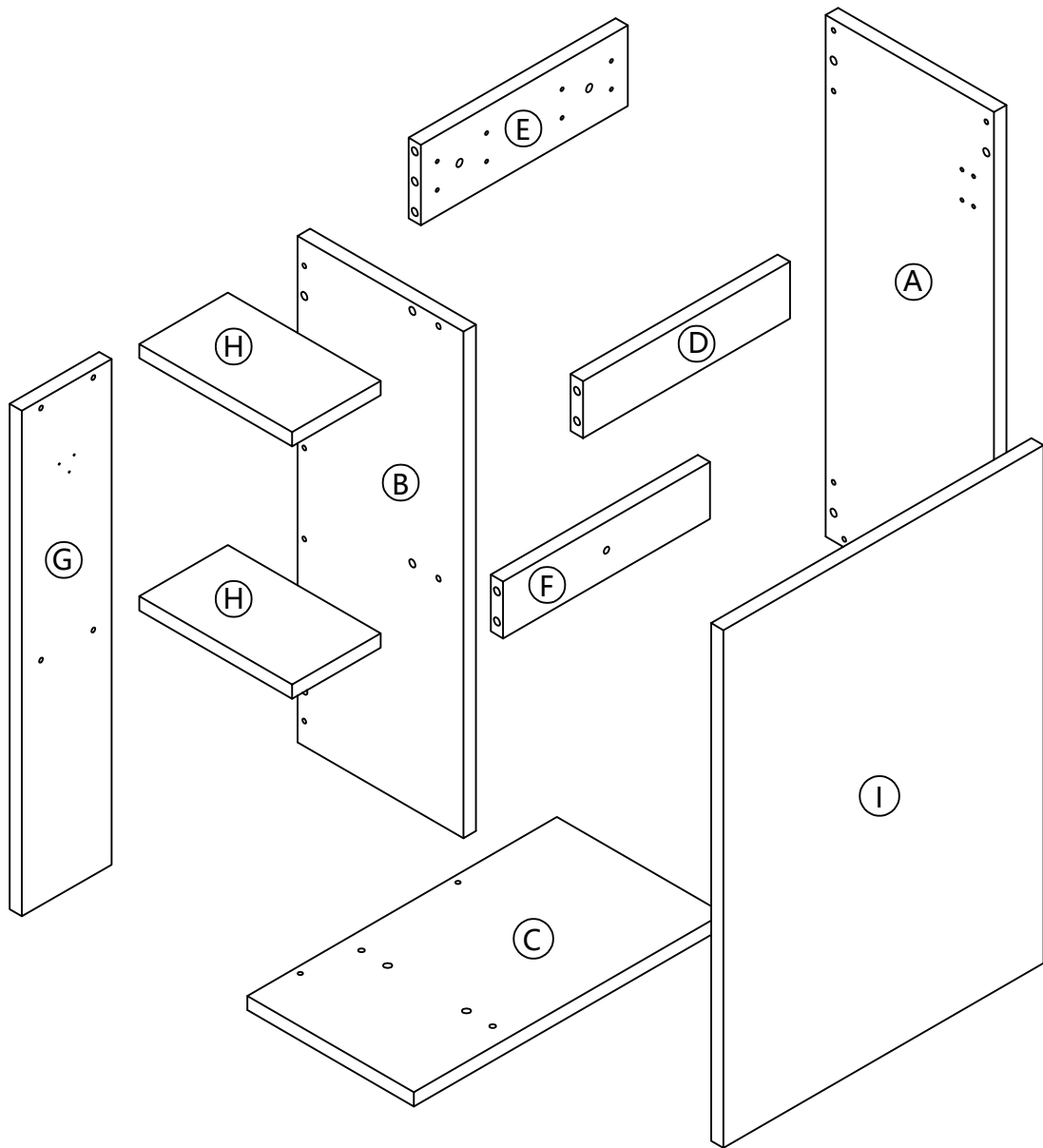
(5) Clean Basin Gently

Use non-abrasive cleaners and a soft sponge to clean the ceramic sink. Rinse thoroughly and dry with a soft cloth.

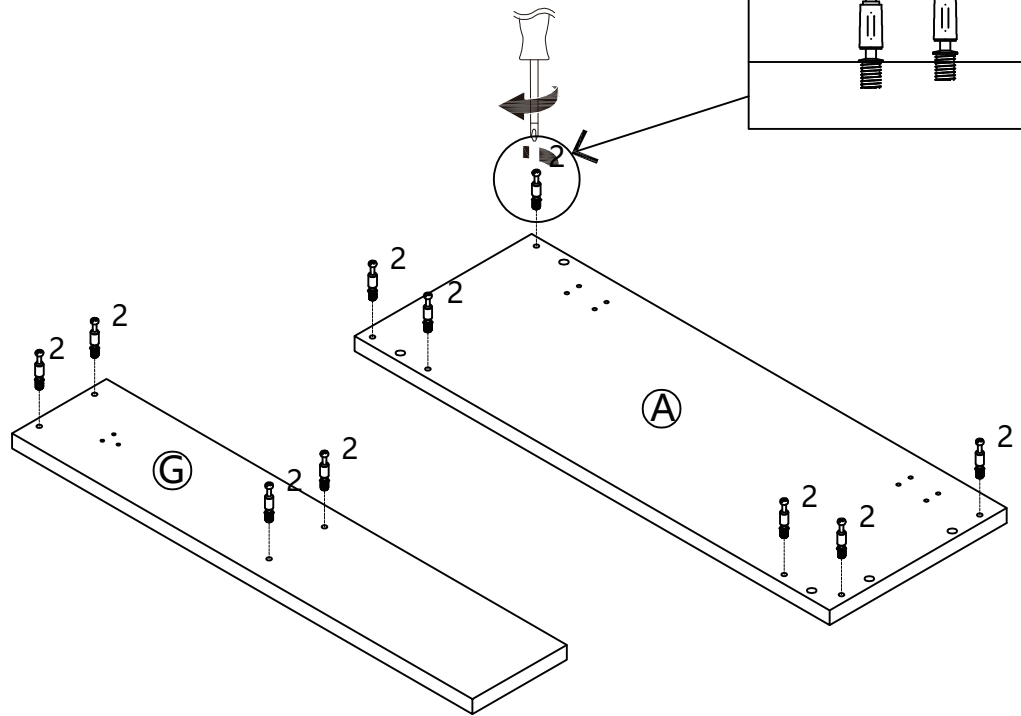
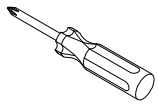
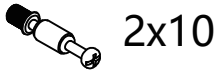
(6) Check Wall Fixings Periodically

Periodically inspect wall brackets and mounting hardware to ensure they remain secure.

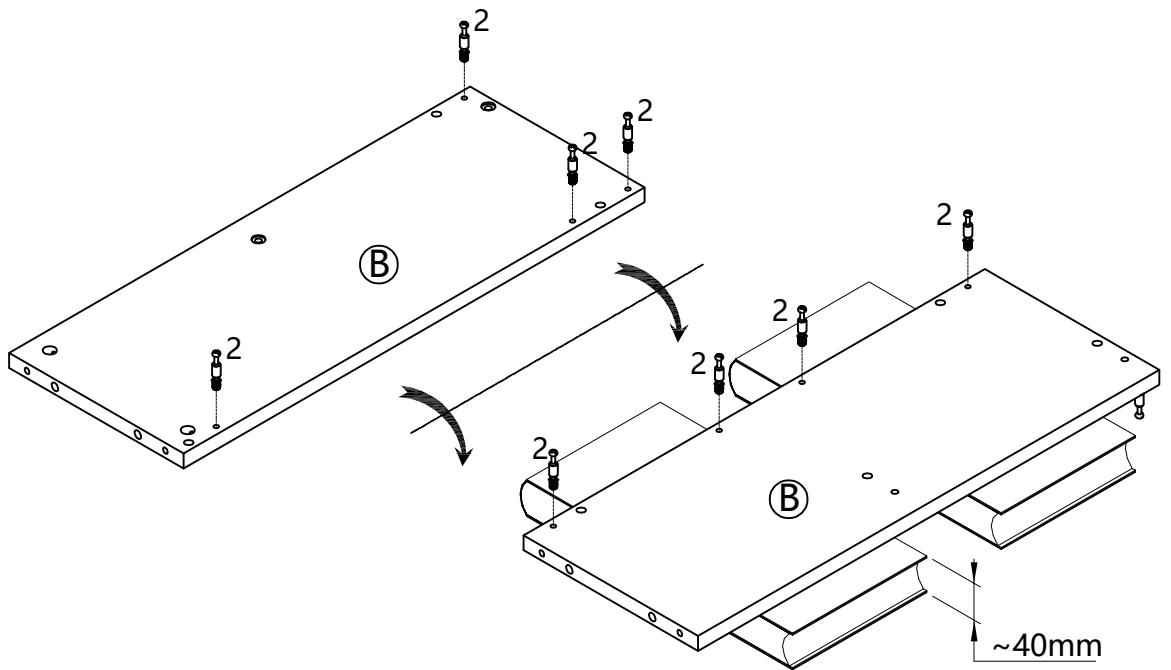
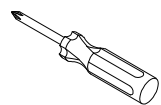
PRODUCT PARTS				HARDWARE LIST			
A		550*205*15(mm)	1PC	1		8*40(mm)	14PCS
B		534*202*15(mm)	1PC	2		Φ7*10(mm)	18PCS
C		377*203*15(mm)	1PC	3		Φ15*11(mm)	18PCS
D		252*60*15(mm)	1PC	4		Φ10.5*11(mm)	4PCS
E		252*85*15(mm)	1PC	5		Φ5*40(mm)	4PCS
F		252*60*15(mm)	1PC	6		Hinge 109(mm)	2PCS
G		533*109*15(mm)	1PC	7		Φ8*4*14(mm)	29PCS
H		186*108*15(mm)	2PCS	8		Φ8*4*30(mm)	2PCS
I		546*390*15(mm)	1PC	9		50*90*1.5(mm)	2PCS
				10		EP Φ10*1.5(mm)	2PCS
				11		Φ21(mm)	28PCS
				12		L150(mm)	1PC
				13		Φ10*40(mm)	3PCS
				14		Φ12*6*64(mm)	3PCS



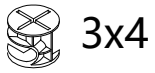
01



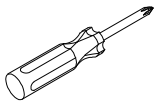
02



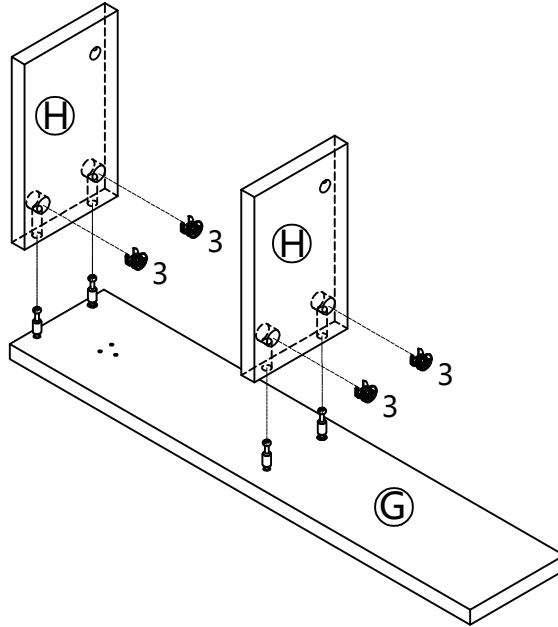
03



3x4



(Not Included)



04



1x4



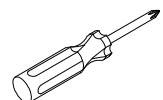
3x4



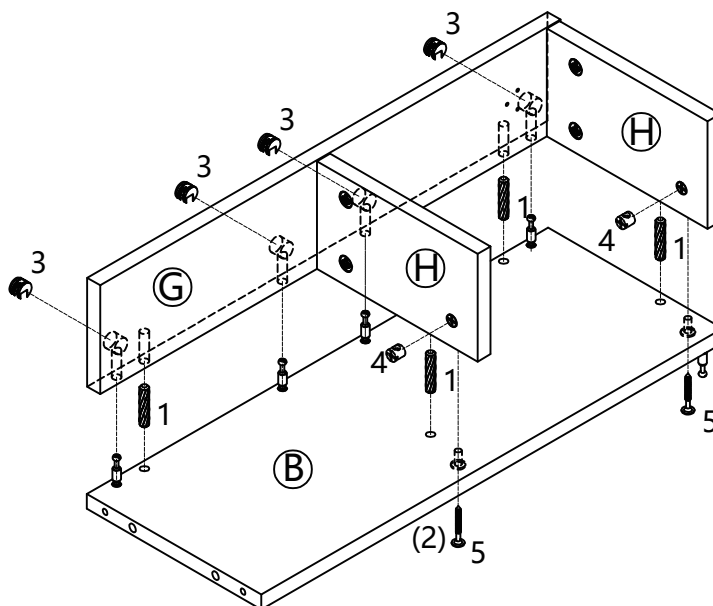
4x2



5x2



(Not Included)



05



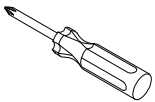
1x2



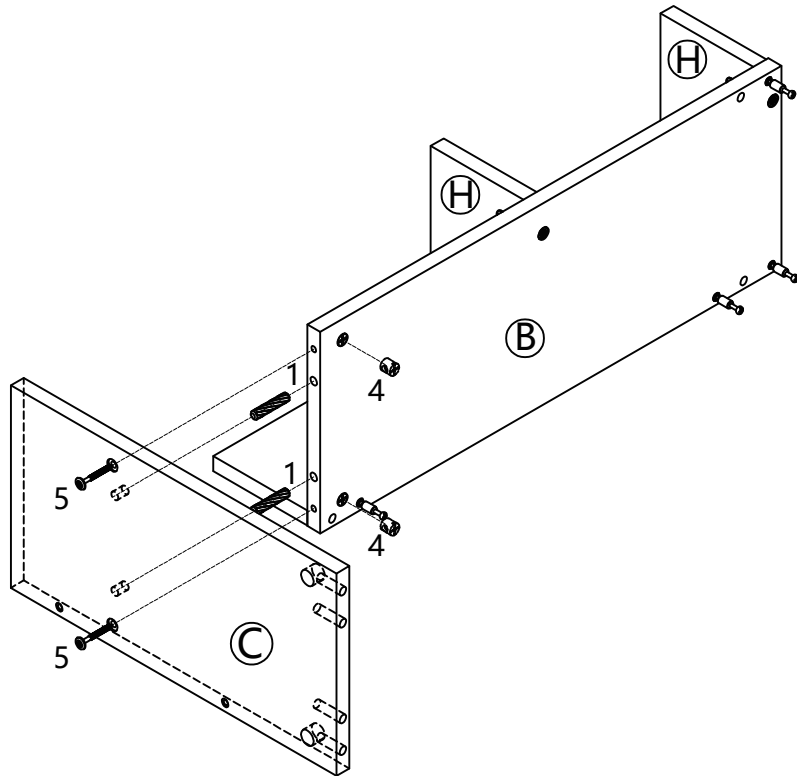
4x2



5x2



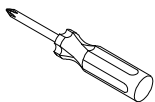
(Not Included)



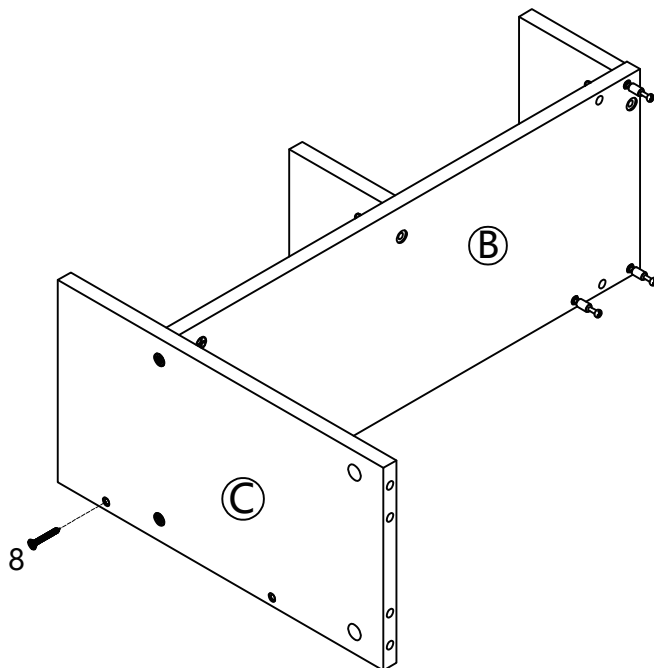
06



8x1



(Not Included)



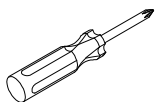
07



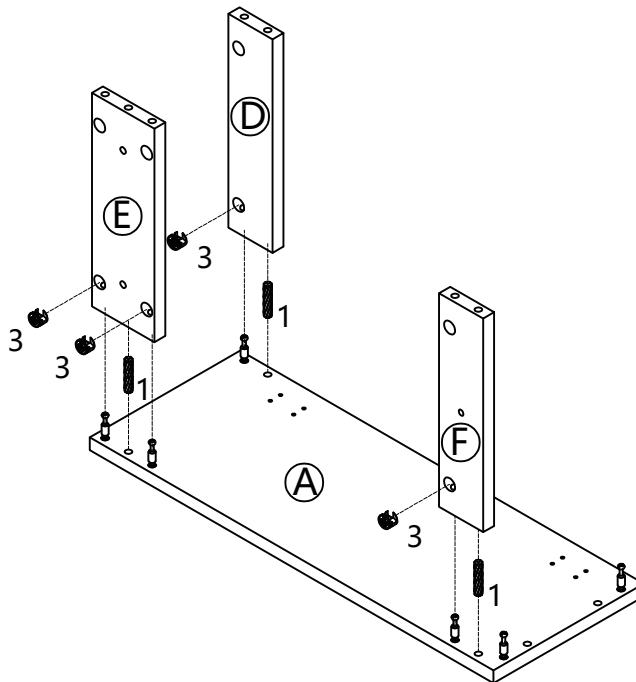
1x3



3x4



(Not Included)



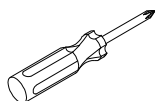
08



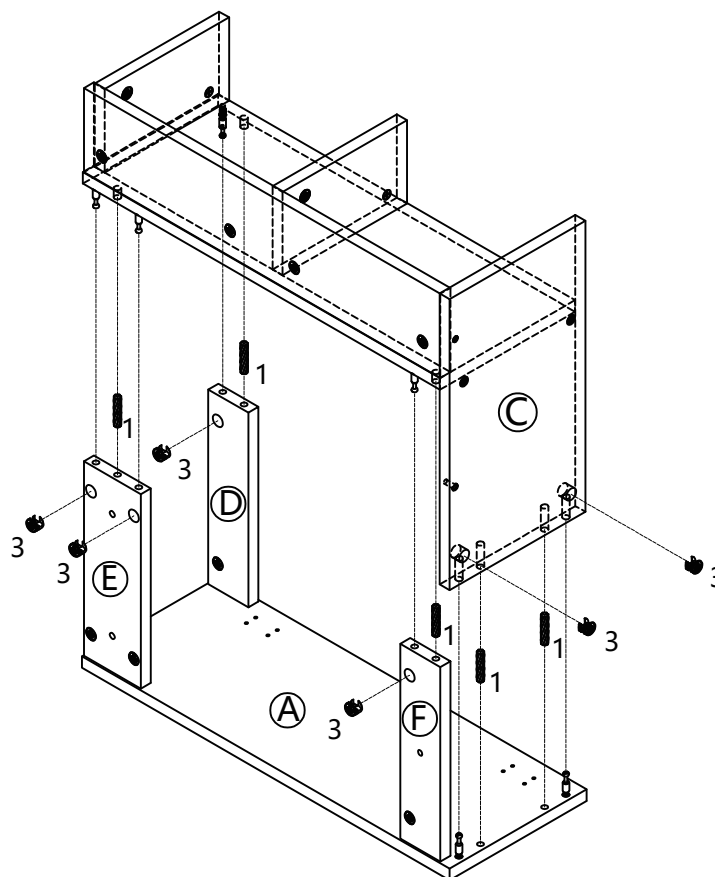
1x5



3x6




(Not Included)

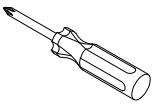


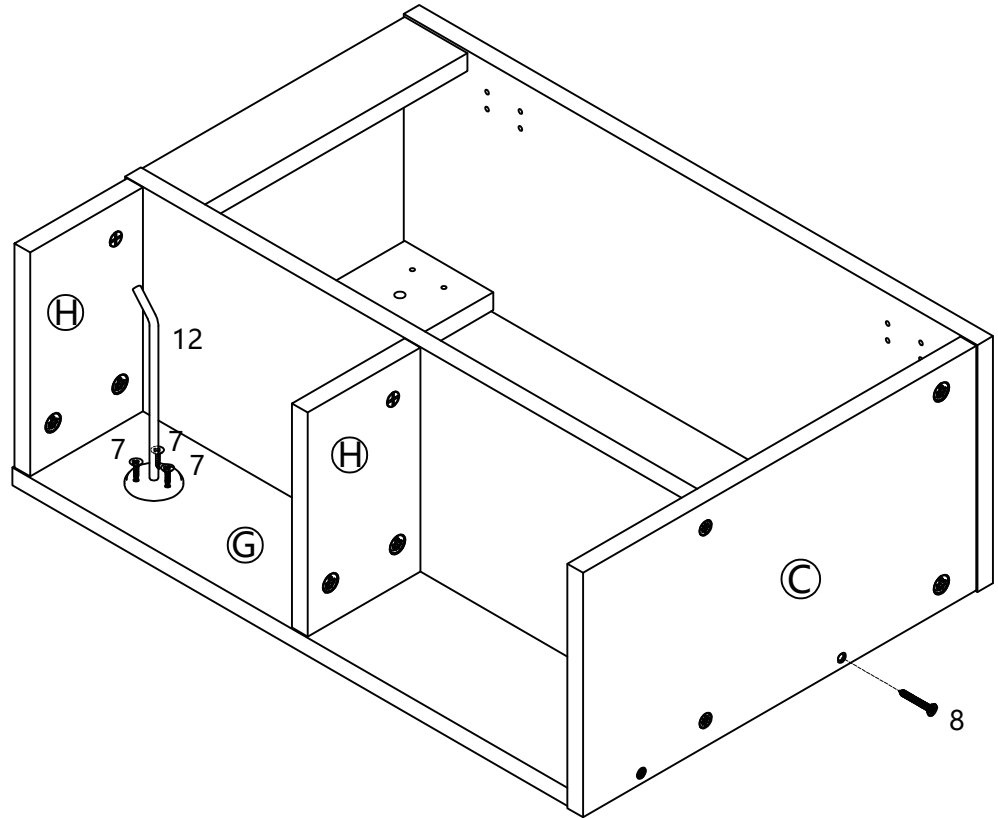
09

 7x3

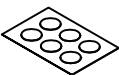
 8x1

 12x1

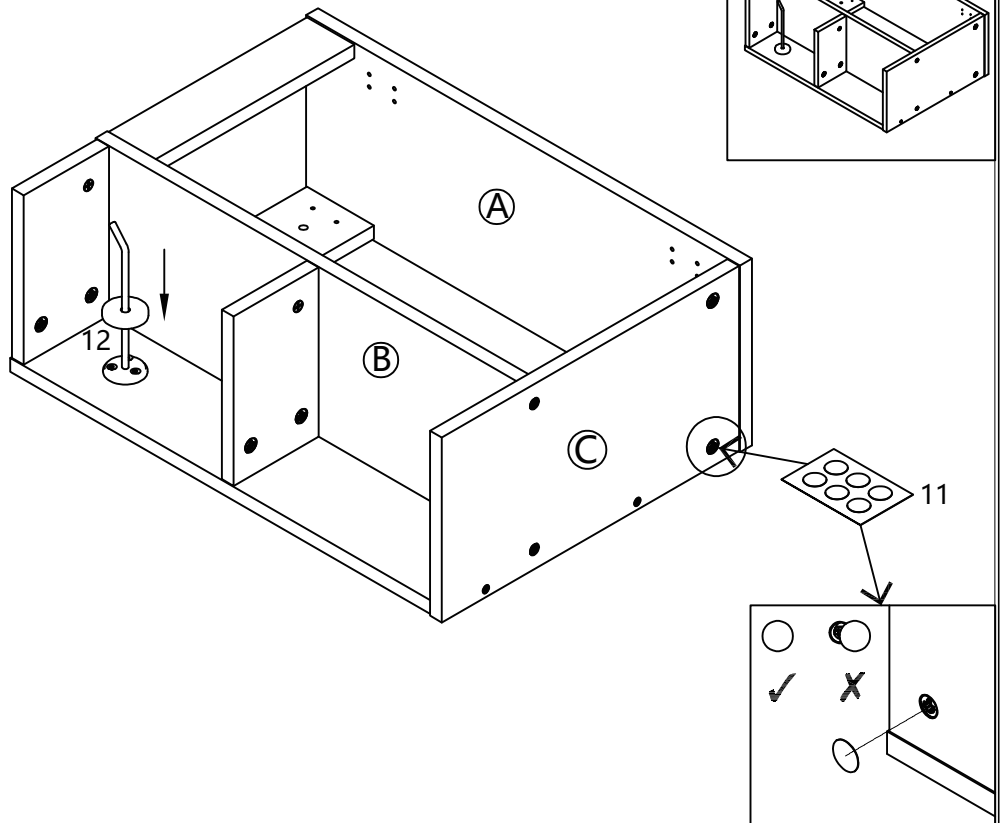

(Not Included)



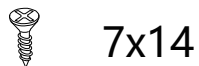
10

 11x28

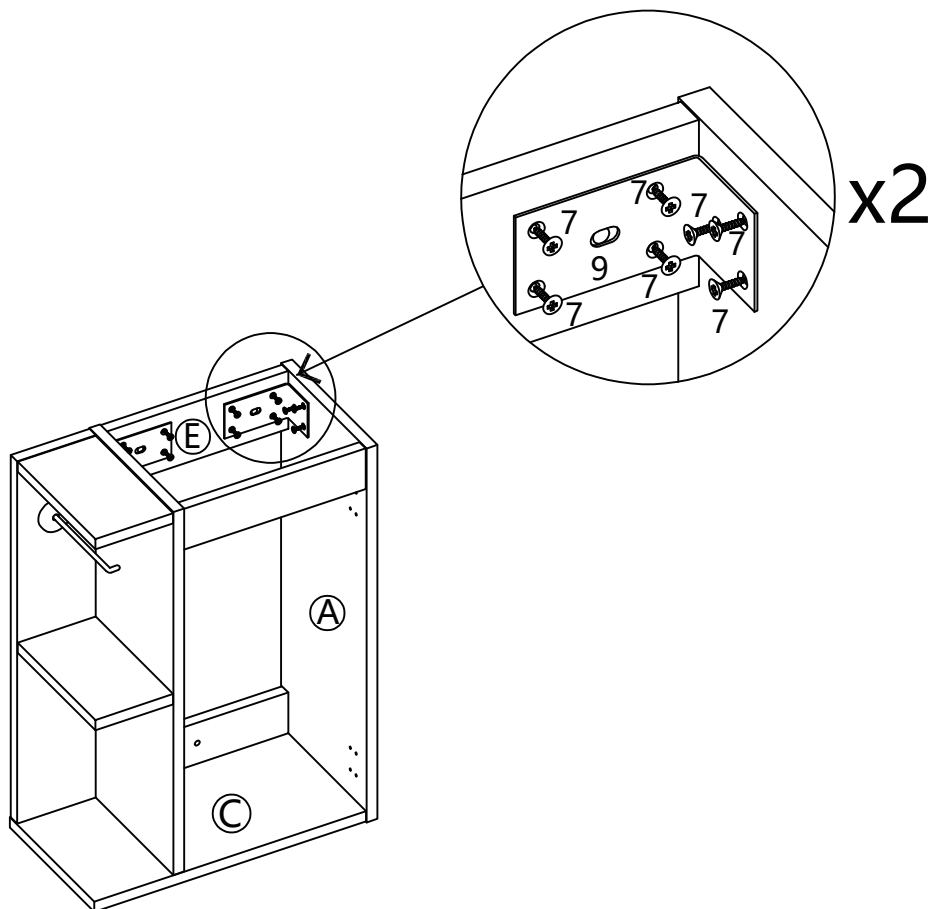
 12x1



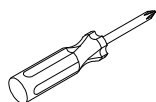
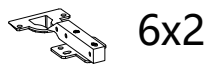
11



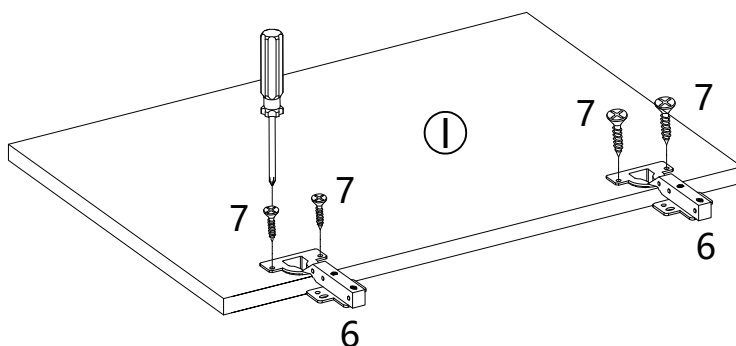
(Not Included)



12



(Not Included)



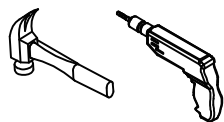
13



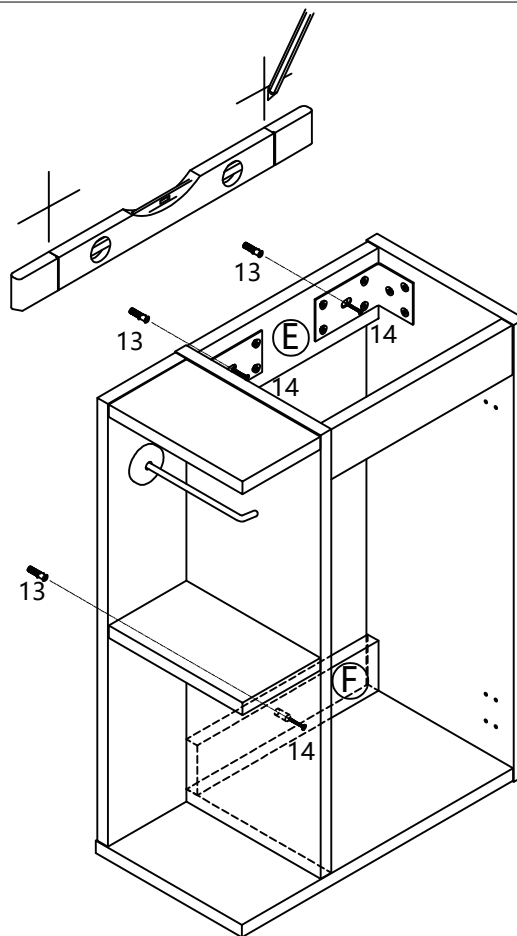
13x3



14x3



(Not Included)



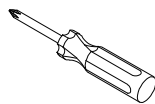
14



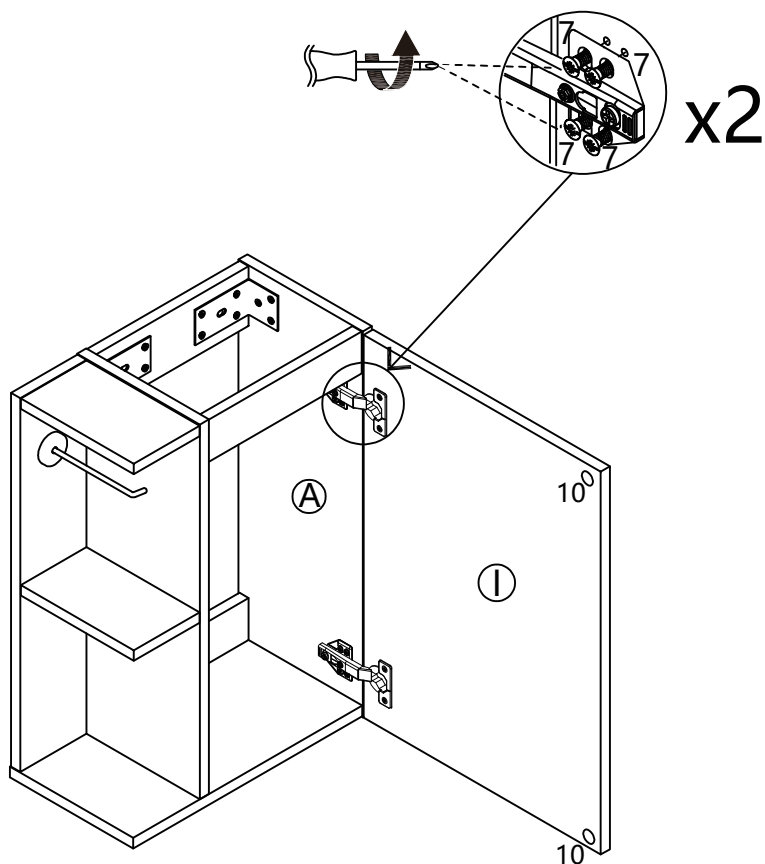
7x8



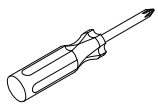
10x2



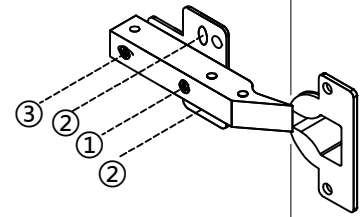
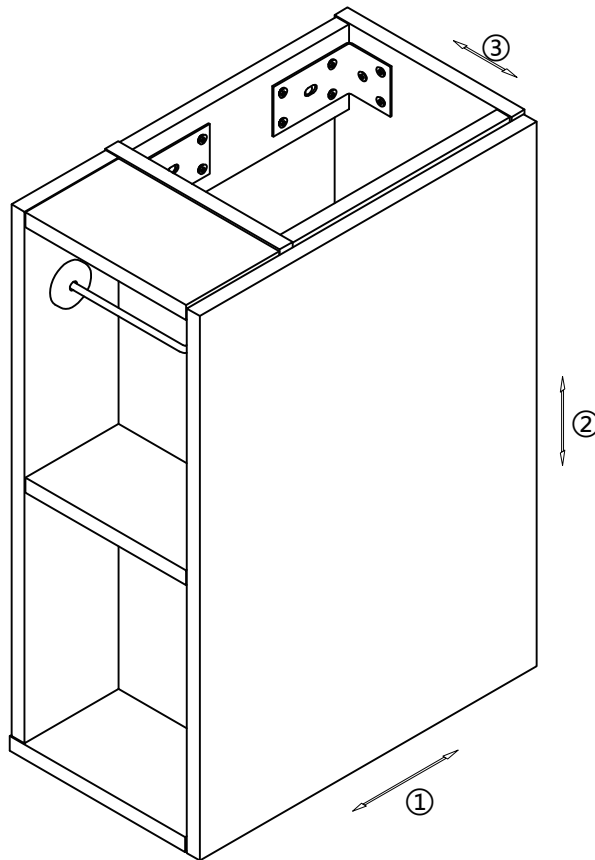
(Not Included)



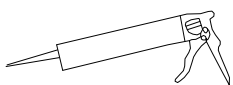
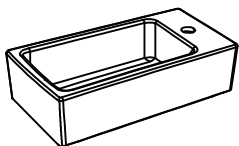
15



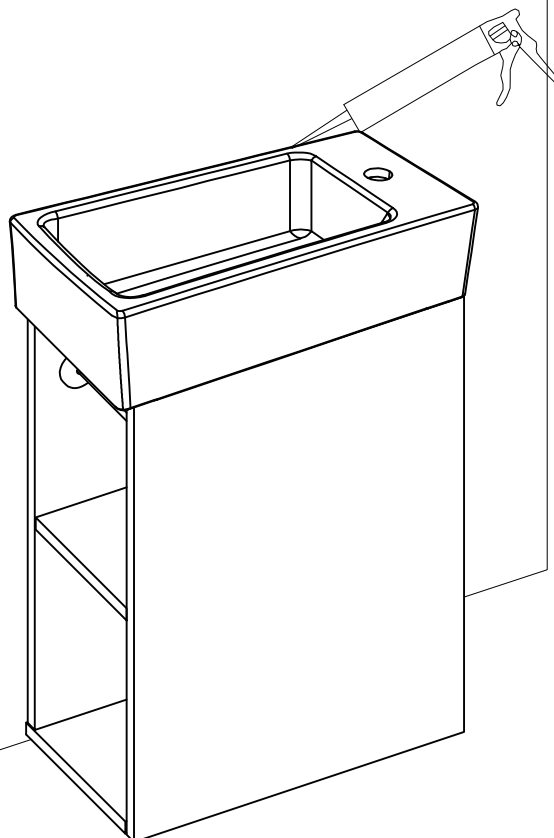
(Not Included)



16



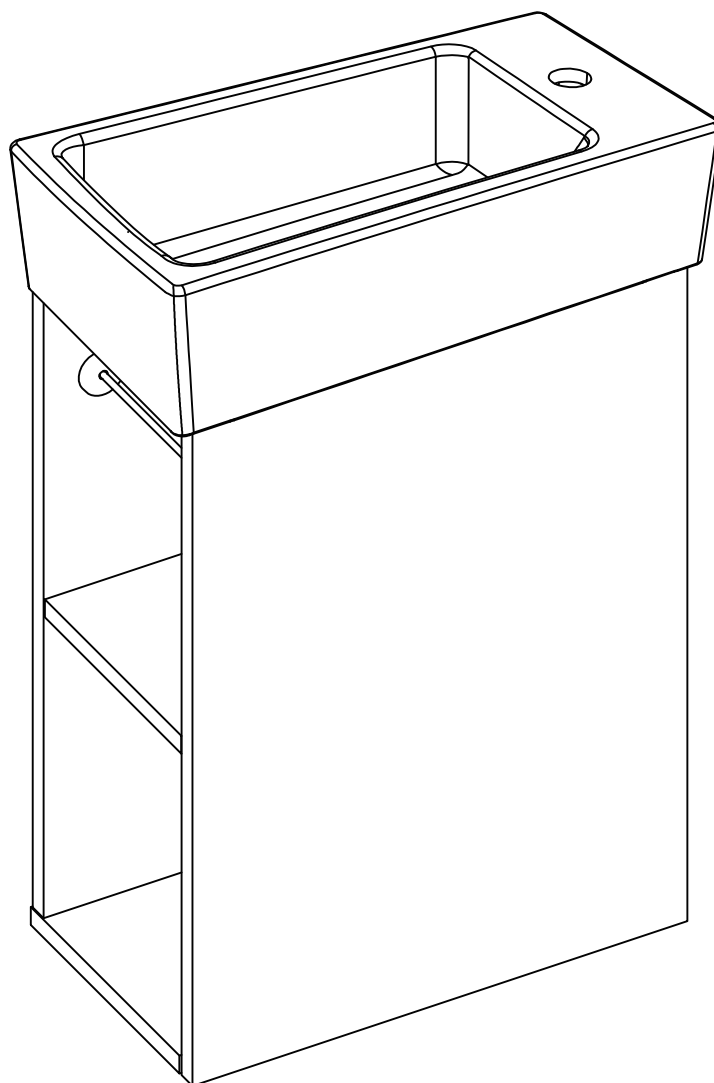
(Not Included)



Positioning the Basin and Sealing

After assembling and mounting the vanity cabinet securely to the wall, place the basin gently on top of the cabinet.

Apply silicone sealant along the joints between the basin and the wall, as well as between the basin and the cabinet surface, as shown in the diagram.



LIMITED WARRANTY COVERAGE

1-YEAR LIMITED WARRANTY

DeerValley products are made from high-quality materials and crafted with care to provide long-lasting durability. If defects in material or craftsmanship are found under normal use within the first year of delivery, DeerValley will provide replacement parts at no charge, or, at its discretion, replace any defective product or part, assuming it has been installed, used, serviced, and maintained properly. This warranty applies only to the original purchaser and proof of purchase is required for any claims. **SCRATCHES ARE NOT COVERED UNDER WARRANTY.**

The manufacturer warrants that this product will be free from manufacturing defects for the duration of the above-mentioned warranty period. Please retain a copy of the original invoice as proof of purchase.

DeerValley will, at its discretion, (1) repair or replace the defective part(s) or product(s) free of charge; (2) issue a refund for the original purchase price (valid within 30 days from delivery date); or (3) issue a credit towards a new DeerValley product purchase. Shipping and delivery charges may apply and are at DeerValley's discretion.

DeerValley recommends installation by a licensed professional plumber. DeerValley is not responsible for damage or failure resulting from improper installation, misuse, or failure to hire a licensed professional. Additionally, DeerValley is not responsible for any removal or installation costs.

This warranty does not cover products subjected to accidents, negligence, improper installation, abuse, misuse, or the use of abrasive cleaners, alcohol, or organic solvents. These exclusions apply regardless of whether the actions were performed by a contractor, service company, or the purchaser.

DeerValley's responsibility under this limited warranty is limited solely to the replacement of parts and does not cover any other costs. DeerValley is not responsible for labor charges, damage incurred during installation, repair, or replacement, nor for any indirect, incidental, or consequential damages, losses, injuries, or costs related to this product. Except as required by law, this limited warranty replaces and excludes all other warranties, whether express, implied, statutory, or otherwise, including but not limited to warranties of merchantability or fitness for a particular purpose.

RESPONSIBILITIES OF OTHERS

It is the responsibility of the installer or contractor acting on behalf of the user to inspect the unit before installation. They must ensure the unit is free from defects or damage.

Notices are placed on the unit and packaging to inform the installer of this responsibility.

If a problem is found, the unit must not be installed. DeerValley is not responsible for damage or failure that could have been identified, repaired, or prevented through proper inspection prior to installation.

Damage occurring during transit is the responsibility of the carrier. The user or installer must inspect the unit upon delivery. If damage is found, it must be reported immediately to both the seller and the carrier in writing, and an inspection must be requested. If the carrier does not respond, the issue should be reported to both parties. Freight claims should be filed promptly thereafter.

LIMITATIONS AND EXCLUSIONS

This warranty does not cover damages resulting from negligence, misuse, abuse, improper installation, accidents, hard water, mineral deposits, exposure to corrosive materials, misapplication, improper maintenance, product alteration, or failure to follow care and installation instructions. The warranty is void if the DeerValley product is altered or if repairs are attempted with unauthorized accessories or parts not provided by DeerValley.

DeerValley is not liable for the loss of use, inconvenience, or any incidental or consequential costs, expenses, or damages. Some states do not allow the exclusion or limitation of incidental damages.

DISCLAIMER

Except as expressly stated, no warranties or obligations, whether express, implied, oral, or statutory, are provided. No dealer or individual has the authority to make any warranties or representations regarding DeerValley or its products. DeerValley is not responsible for any unauthorized warranties or representations.

WARRANTY SERVICE

NOTE: When requesting warranty service, please provide the following:

- A copy of the original invoice
- Date of installation
- Description and pictures of the defect
- Model number or product description

To obtain warranty service or replacement parts, please contact DeerValley Customer Service. DeerValley will determine whether to repair or replace the product, issue a refund, or provide a credit.