

ASSEMBLING & INSTALLATION INSTRUCTIONS

The drawing shown may not exactly match the product enclosed.
However, the installation instructions do apply to this product.

- ◆ **WARNING! SHUT POWER OFF AT FUSE OR CIRCUIT BREAKER.**
- ◆ **ATTENTION! COUPER LE COURANT AU FUSIBLE OU UN DISJONCTEUR.**

ASSEMBLING THE FIXTURE (Fig.1)

1. Shut off the power at the circuit breaker box. Remove old fixture and all hardware from Junction Box. Carefully unpack your new fixture and lay out all the parts on a clear area. Take care not to lose any small parts necessary for installation.
2. Attach the pipe thread part way into the center hole of the single bar and secure with hex nut. Attach the single bar to the junction box using two box screws. The side of the single bar marked "GND" must face out. **The junction box is not included.**
3. Please see the Fig 1.1 (round frame Top View). Loosen the tie crystal cluster of cord and organize appropriate. Raise the column(H) to the bottom of the lamp body(I), by turn it clockwise until tight. Raise the acrylic plate(C), round frame (D) to the bottom of the lamp body (I), aligning the center hole with pipe nipple and screw it with the finial (G) until tight.
4. Raise the end grapnel of the crystal cluster(E) hook the middle ring of round frame(D); raise the end grapnel of the crystal cluster(F) hook the inside ring of round frame(D). Holding the hook of shade(B) insert the small hole of the lamp body's plate.
5. While holding the lamp assembly towards the ceiling, connect the electrical wires as Shown in Fig.2, making sure that all wire nuts are secured. You may have to wrap the connections with electrical tape. If your outlet has a ground wire (green or bare copper), connect the fixture ground wire to it. Otherwise connect fixture's ground wire directly to the mounting plate with the green screw provided. After wires are connected, tuck them carefully inside the Junction Box.
6. Raise the lamp assembly onto the junction box, aligning screws on single bar with mounting holes in lamp body(H) and lock it securely with the ball nut (A).
7. Install the light bulbs(Not included) in accordance with the fixture's specifications.

NOTE: DO NOT EXCEED THE SPECIFIED WATTAGE!

Your installation is now complete. Return power to the junction box and test the fixture.

Fig.1

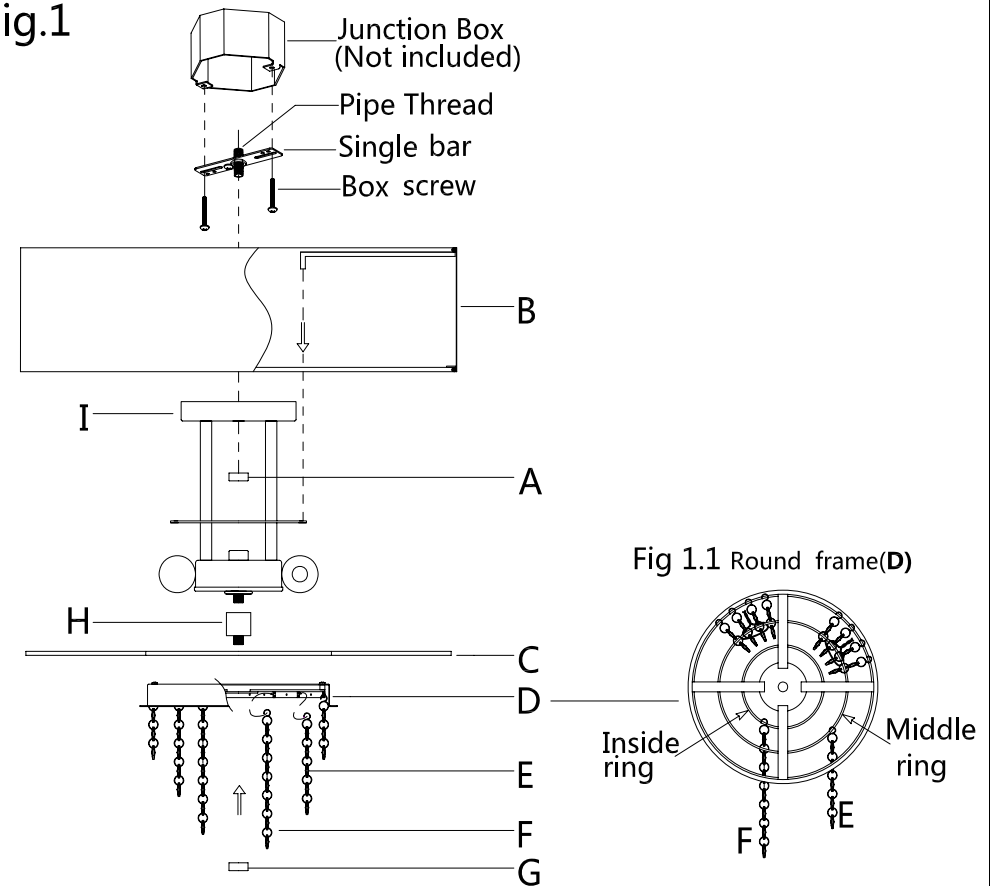


Fig 1.1 Round frame(D)

FIG.2

