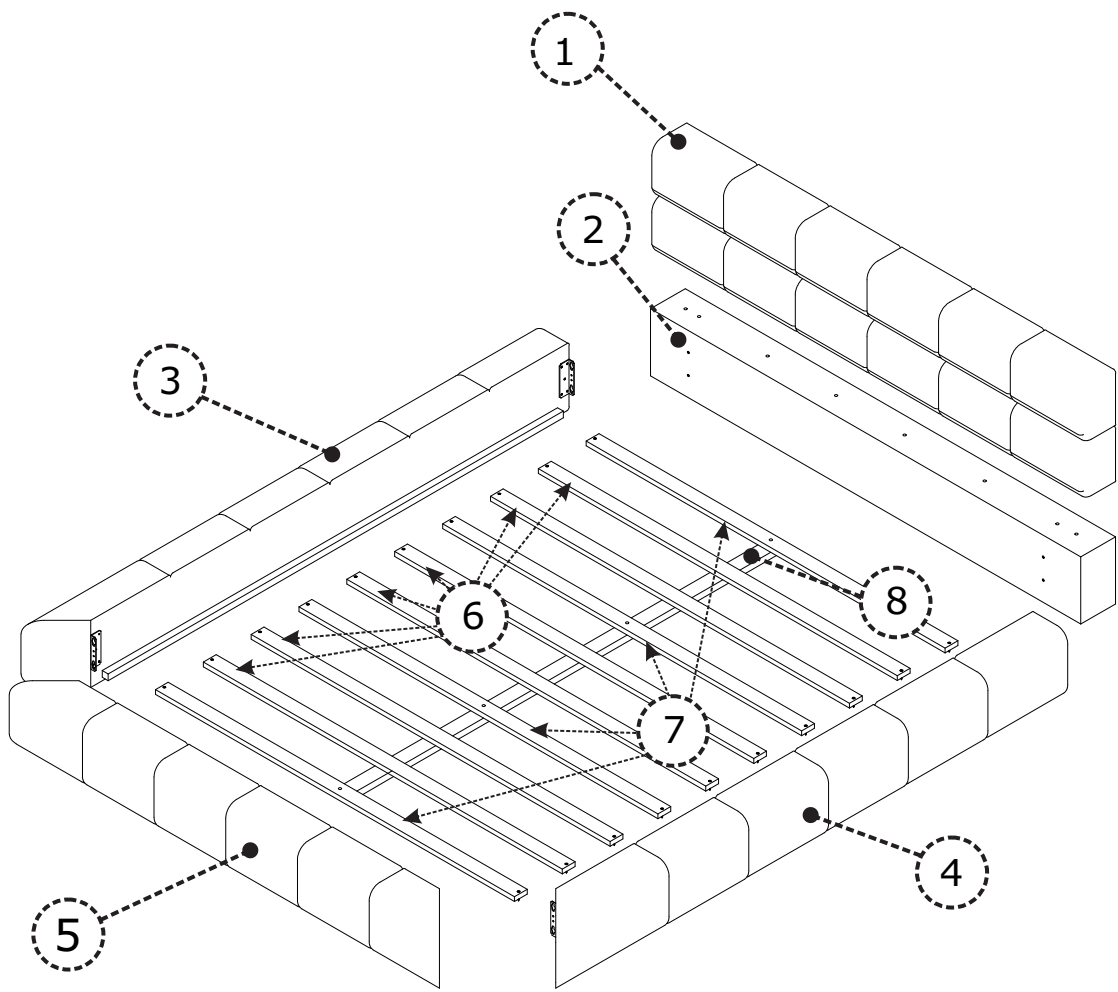


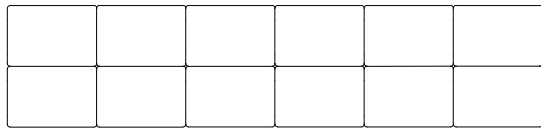
ASSEMBLY INSTRUCTIONS



PARTS

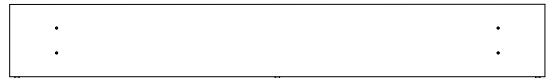
Check that you've received
all parts listed below.

① x 1



Head Board

② x 1



Head legs

⑤ x 1



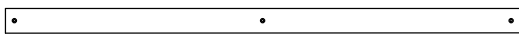
Foot Board

⑥ x 6



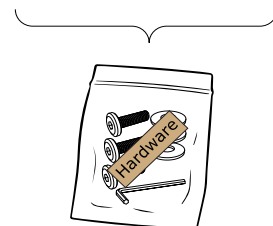
Flats

⑦ x 4



Flats

Hardware



PARTS

Check that you've received
all parts listed below.

3 x 1



Side Board Left

4 x 1



Side Board Right

8 x 1



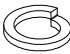







Support Slats

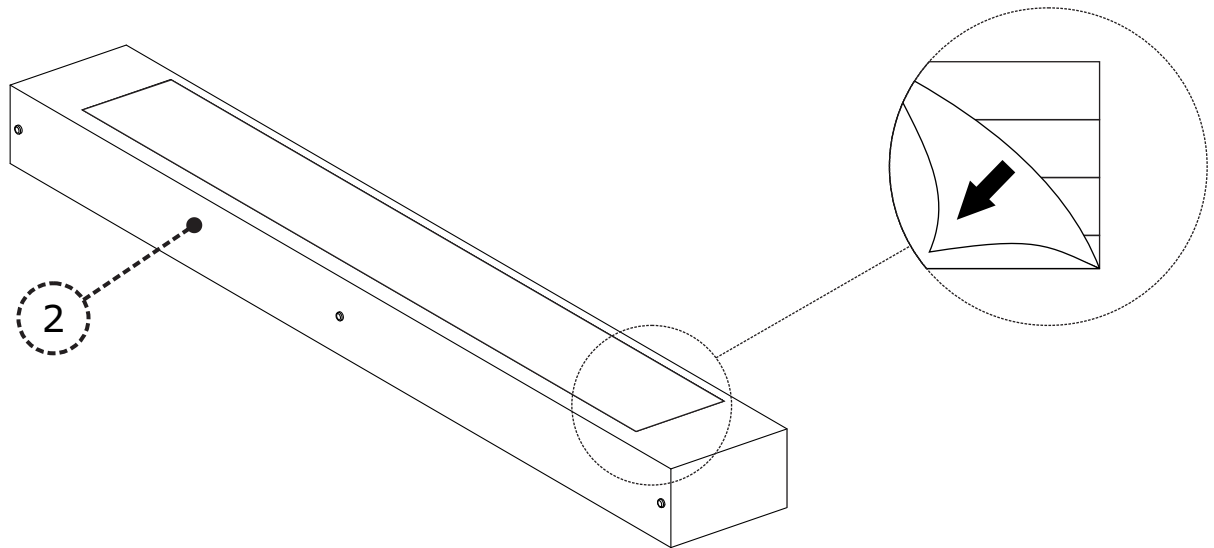
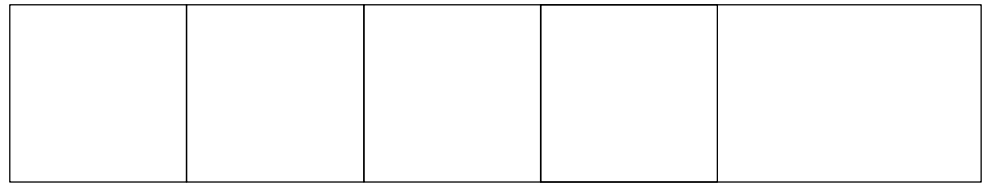
HARDWARE

Check that you've received all hardware listed below.

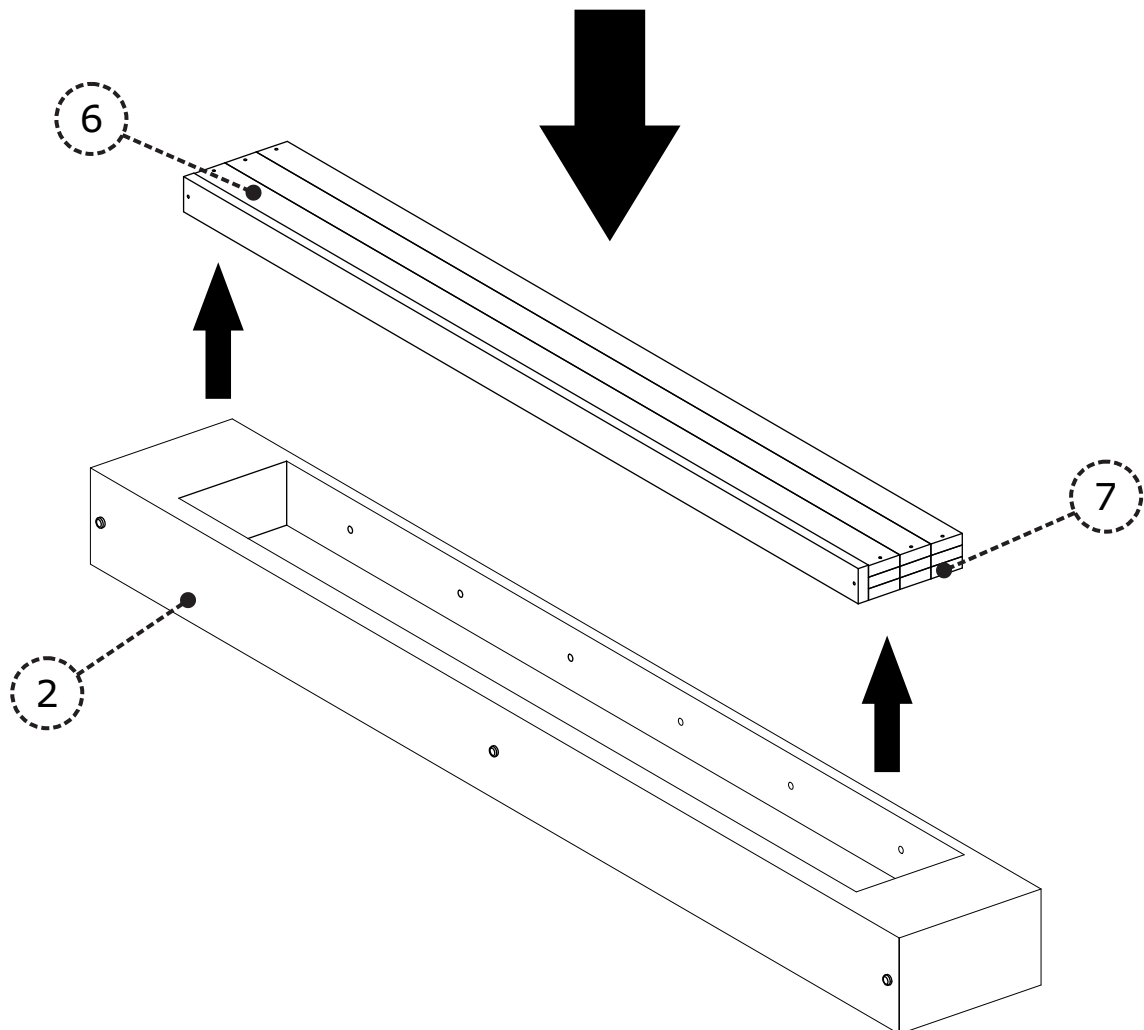
Hardware List

No.	OUTLOOK	DESC	QTY
(A)		Bolts 5/16"x38 mm	12
(B)		Plain washer Ø19x1.5 mm	18
(C)		Spring washer Ø13x1 mm	18
(D)		Allen key 80x30x4 mm	1
(E)		Bolts 5/16"x45 mm	6
(F)		Screws Ø4x30 mm	20
(G)		Dowel Ø10x30 mm	2
(H)		Adjust Foot 1/4"x15 mm	3

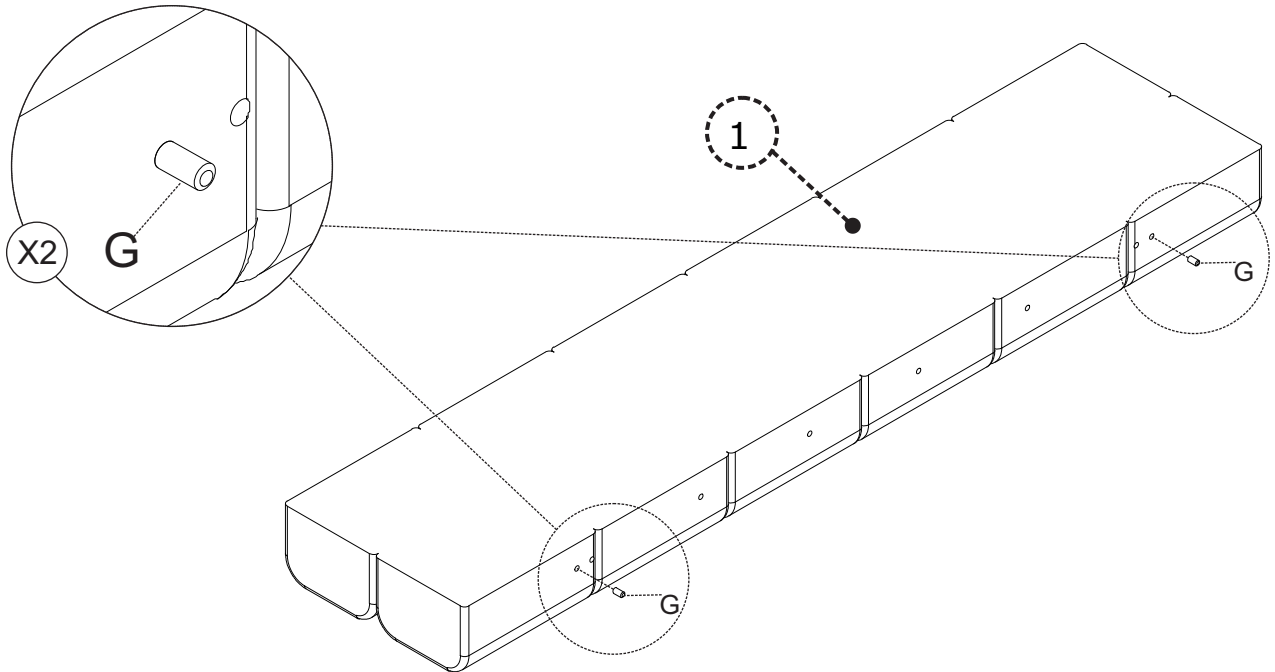
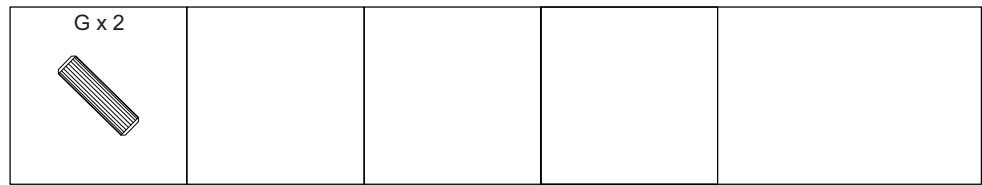
STEP 1



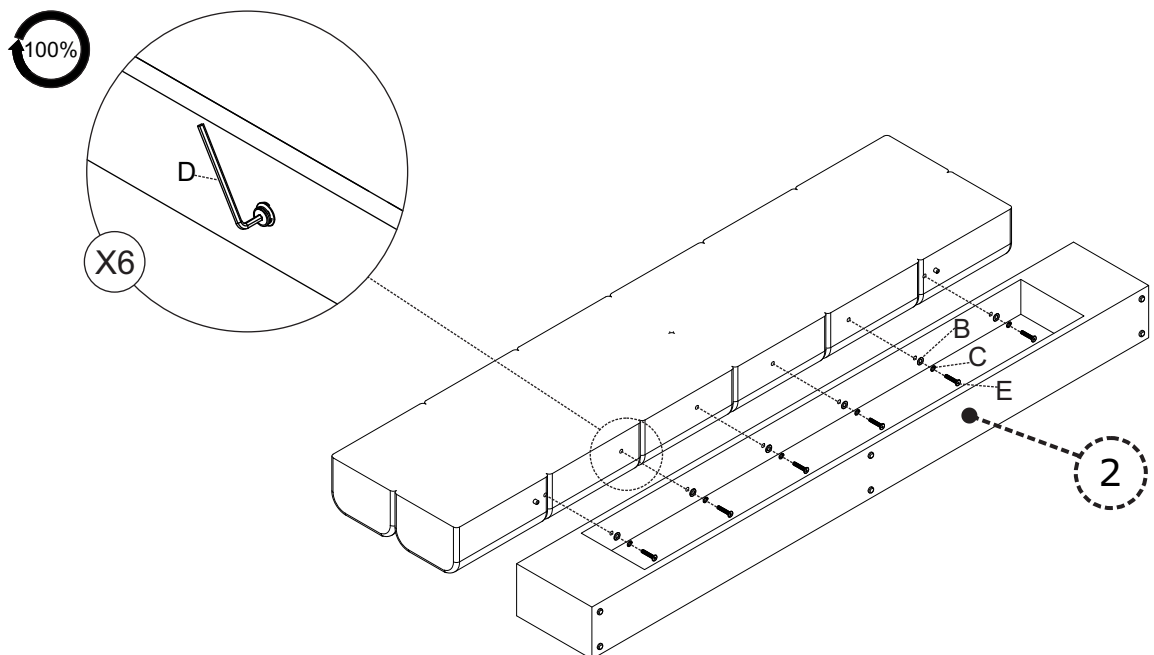
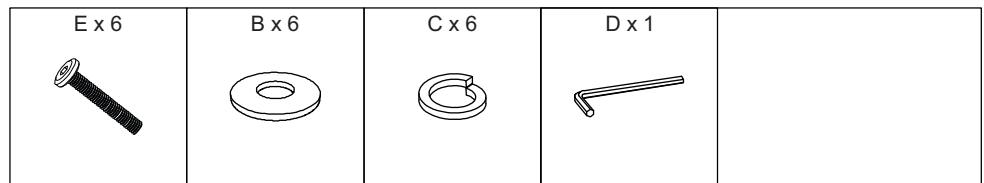
Open up the black fabric and take out details 6+7







STEP 2

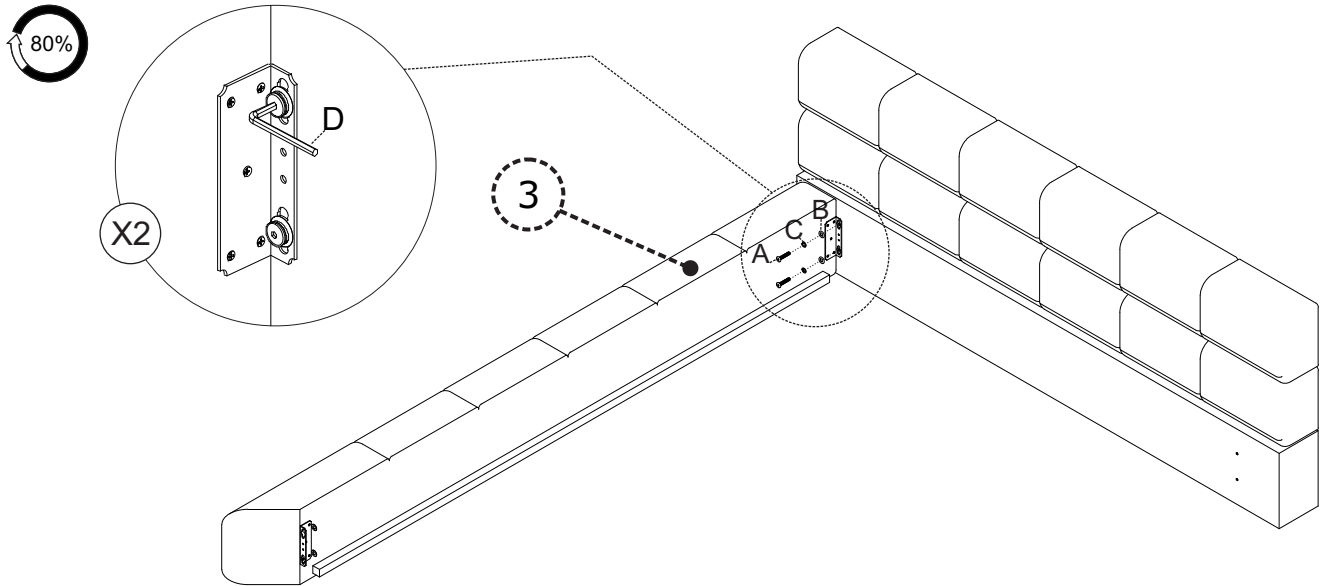


STEP 3







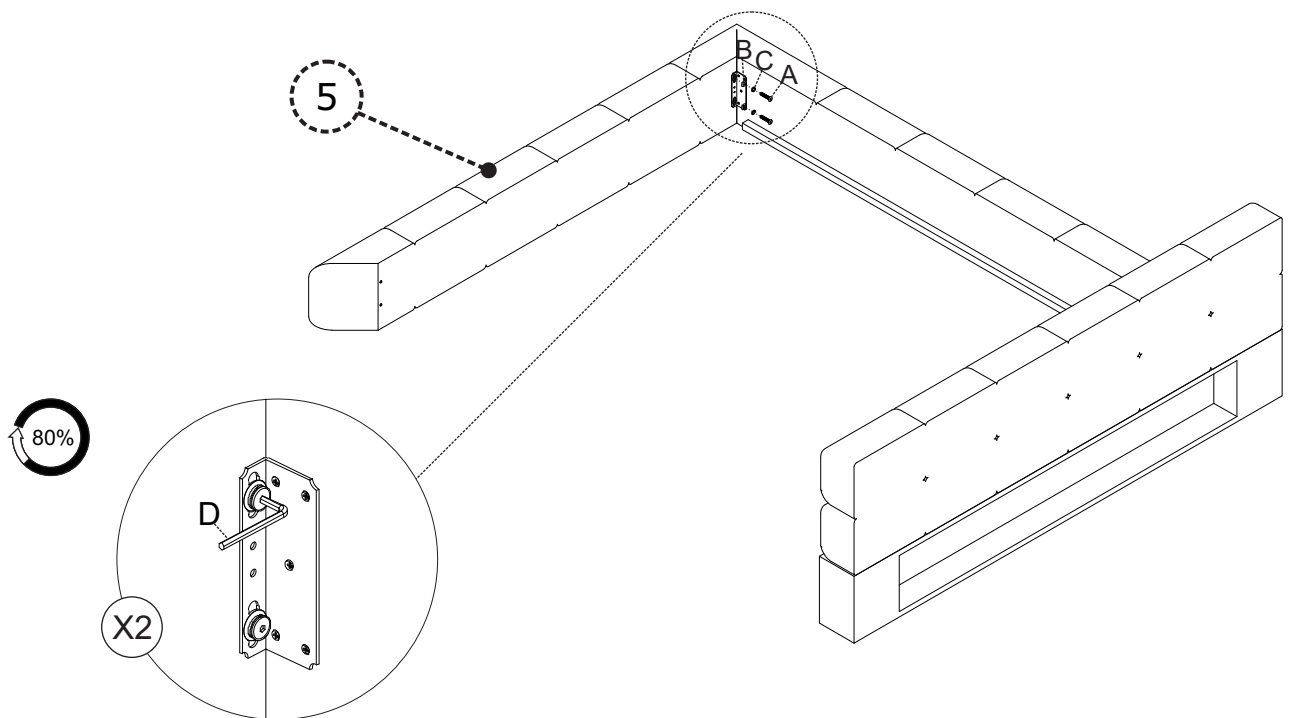
STEP 4

A x 2 	B x 2 	C x 2 	D x 1 	
--	--	--	--	--







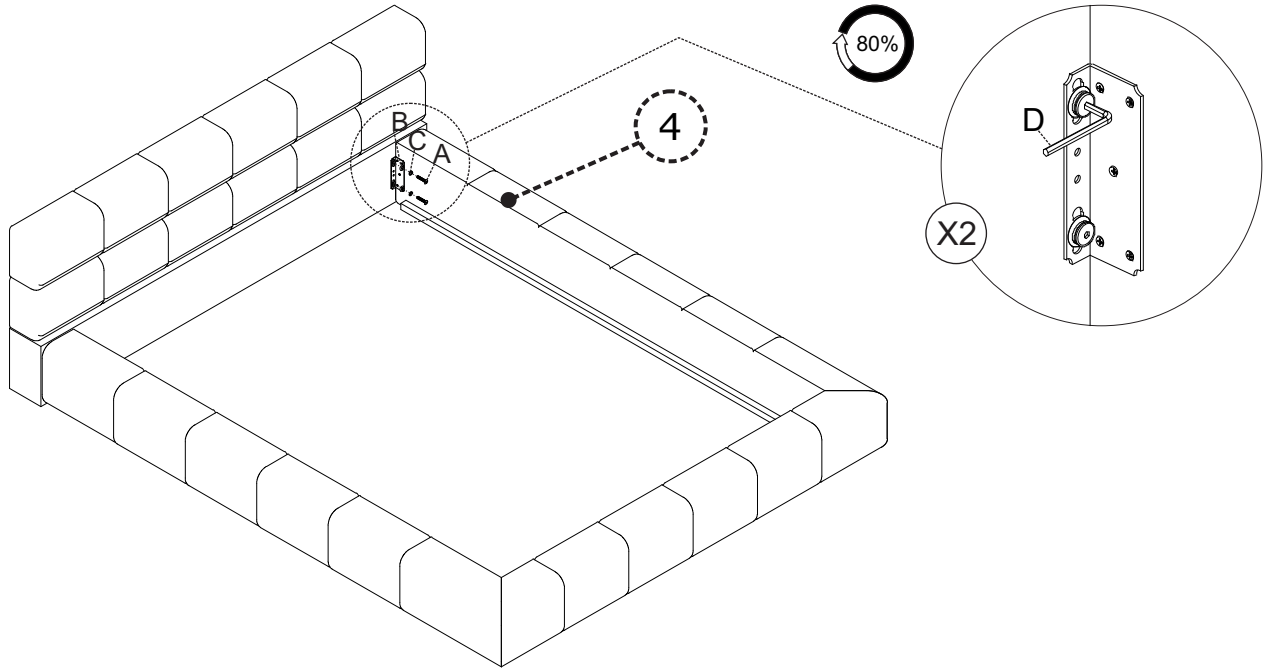
STEP 5

A x 2 	B x 2 	C x 2 	D x 1 	
--	--	--	--	--







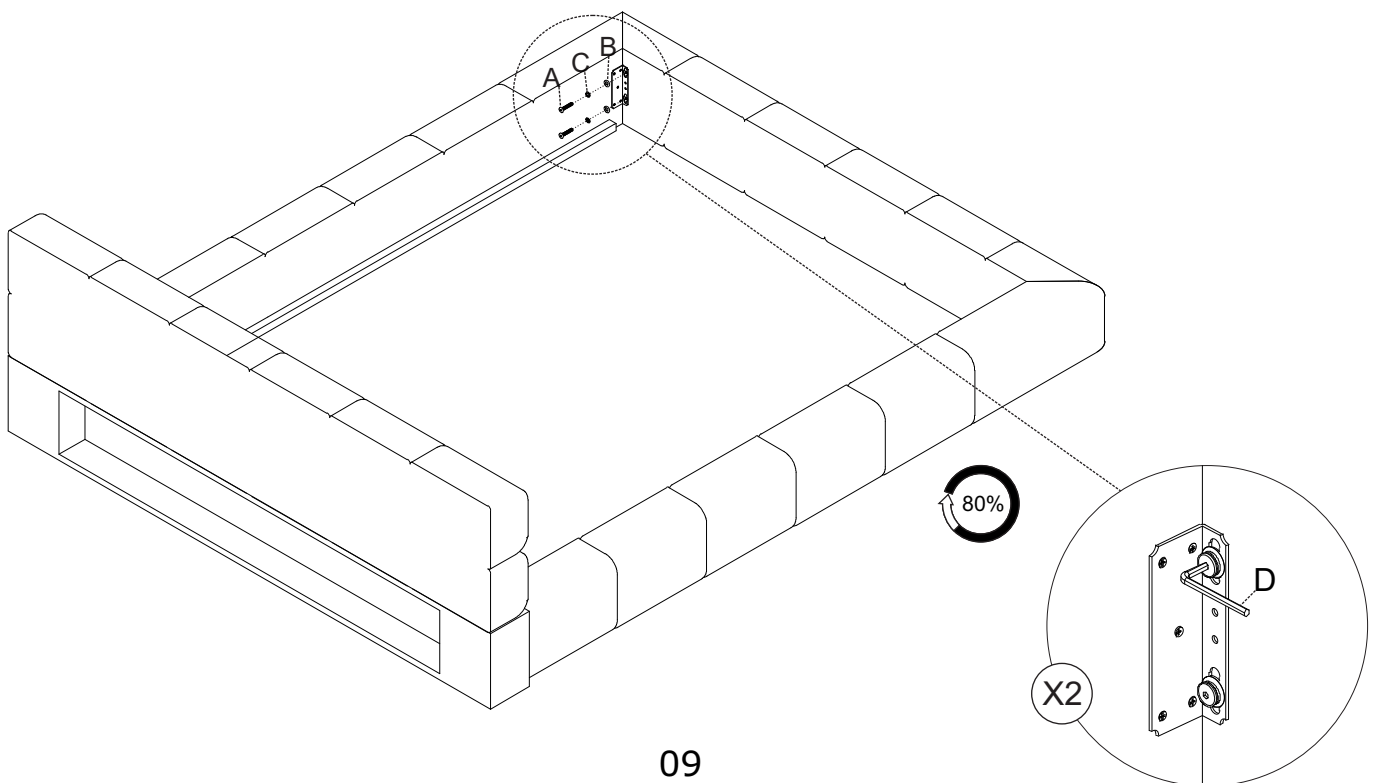
STEP 6

A x 2 	B x 2 	C x 2 	D x 1 	
--	--	--	--	--

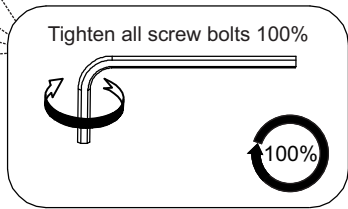
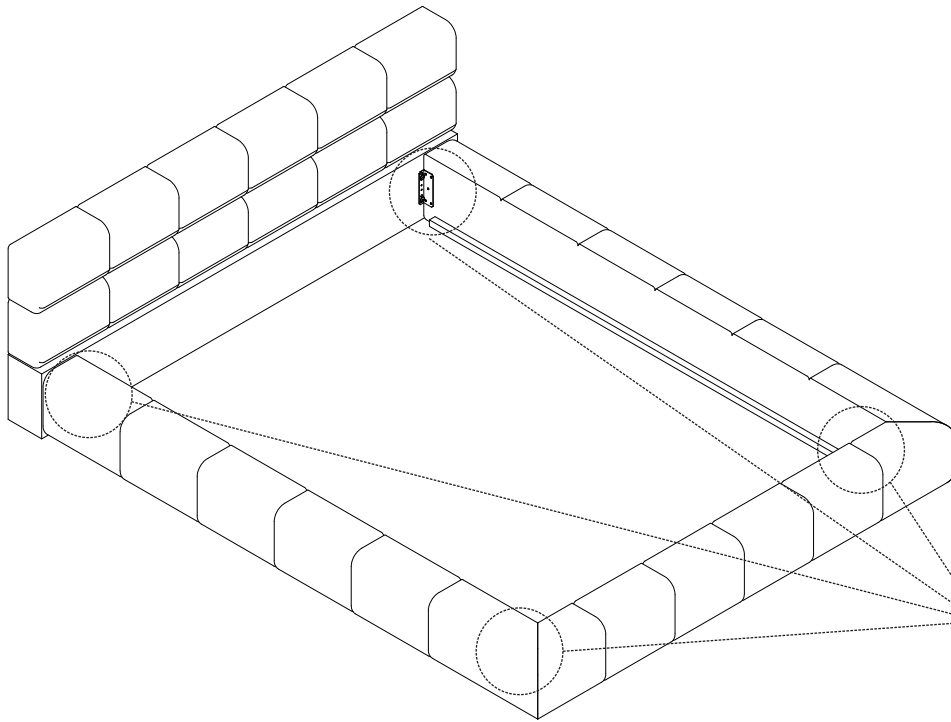
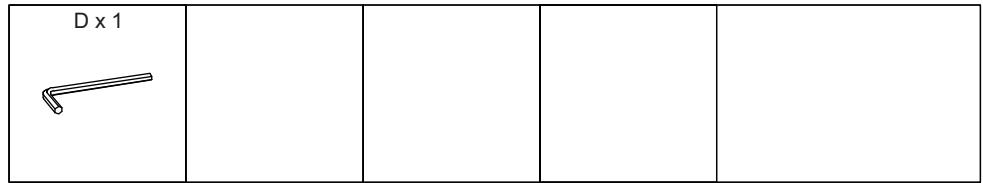


STEP 7

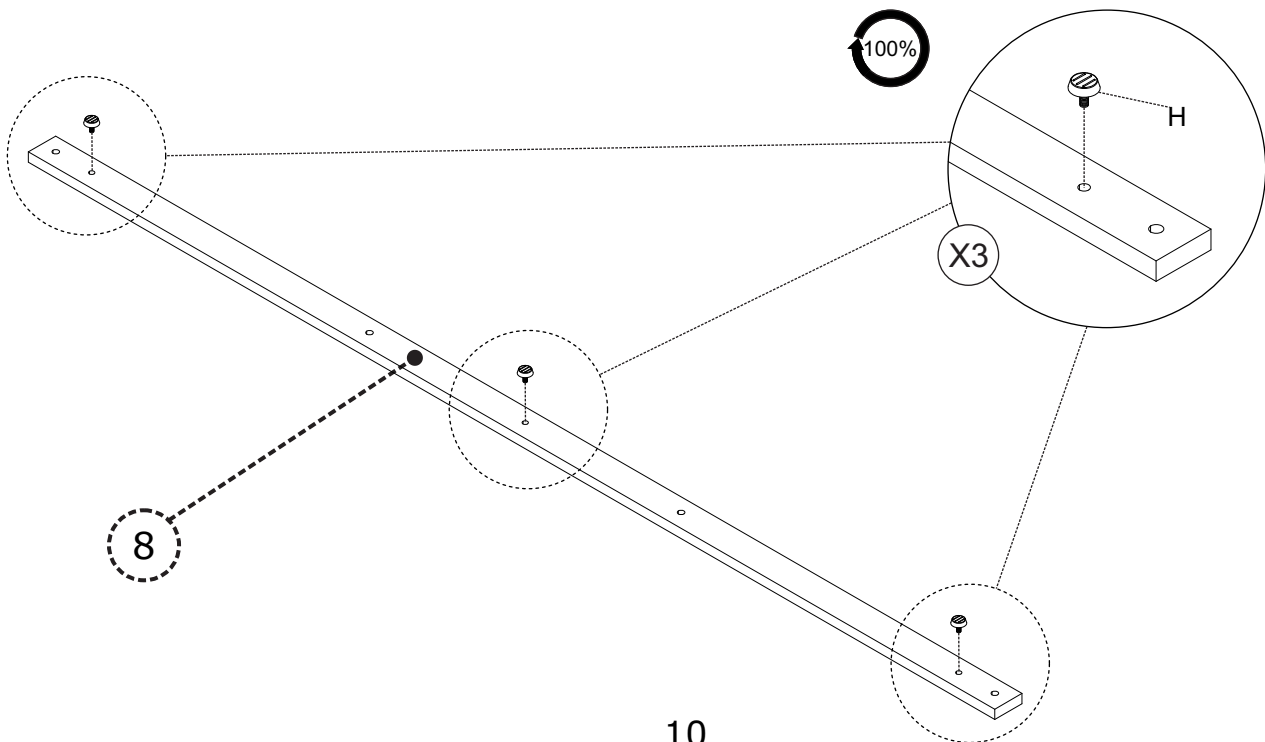
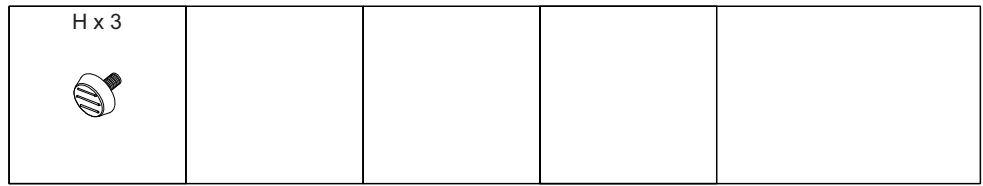
A x 2 	B x 2 	C x 2 	D x 1 	
--	--	--	--	--



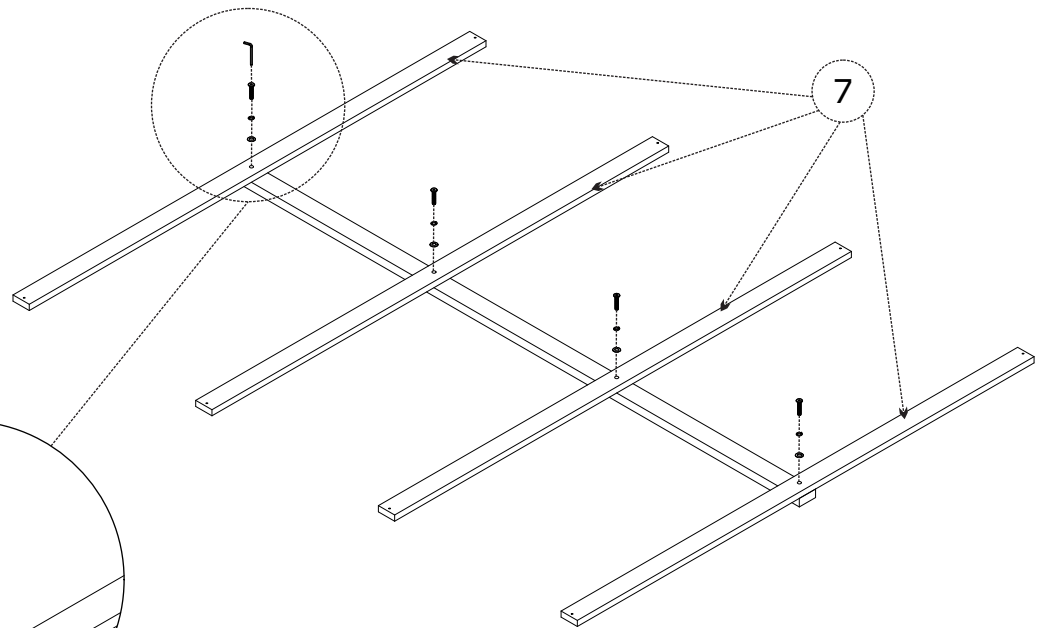
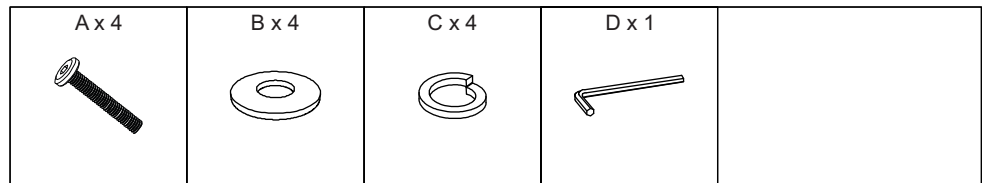
STEP 8



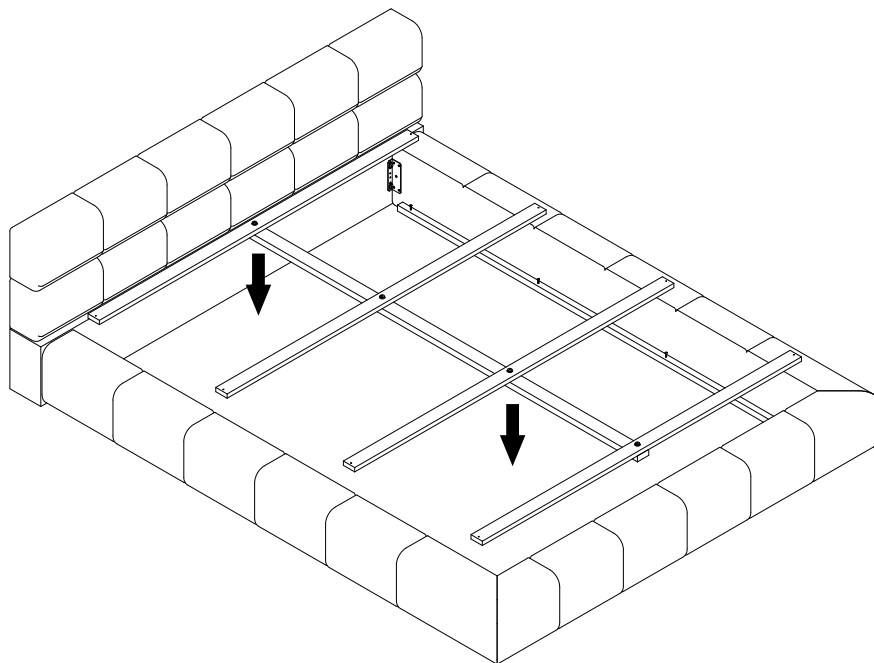
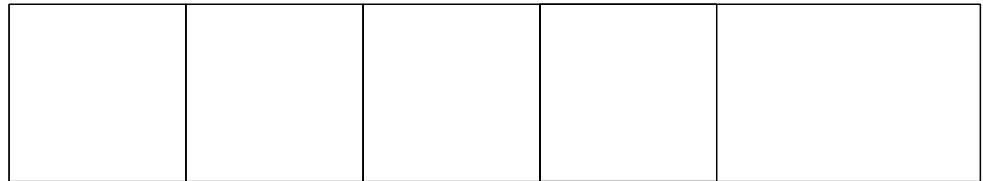
STEP 9



STEP 10



STEP 11



STEP 12

