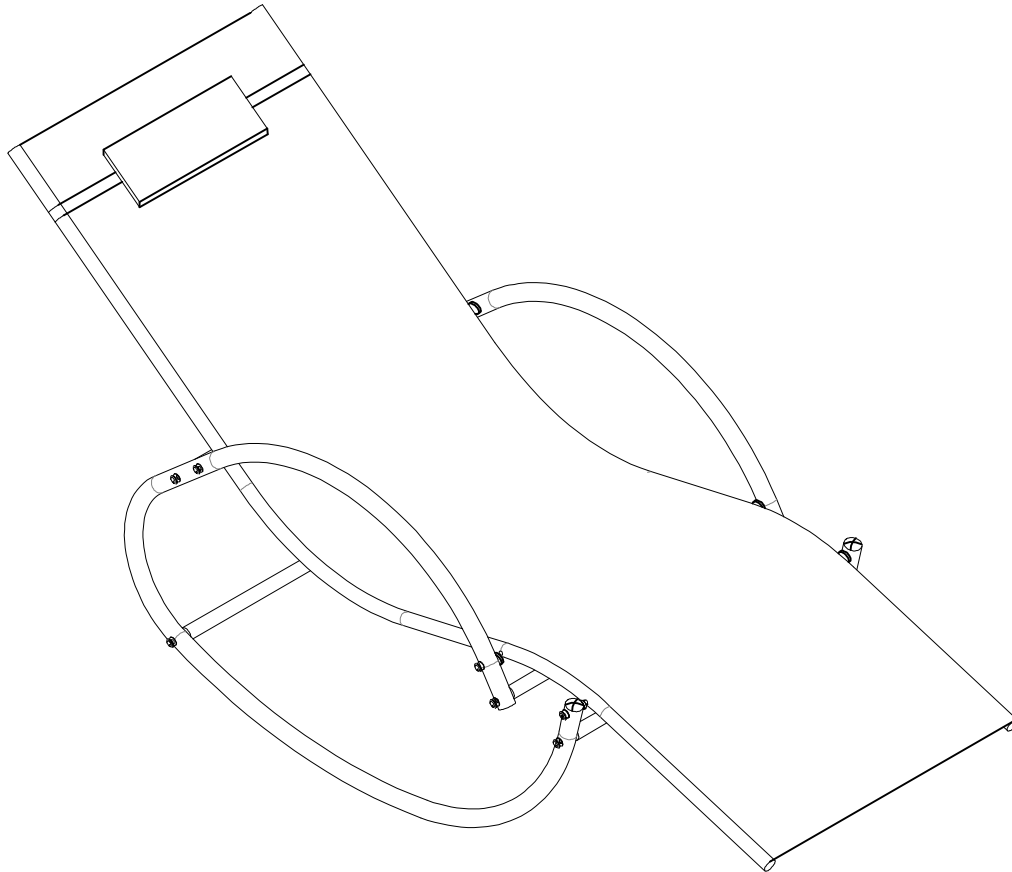
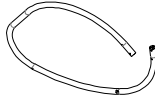
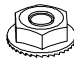




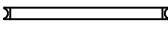





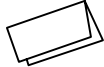
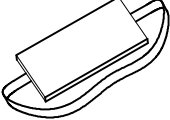
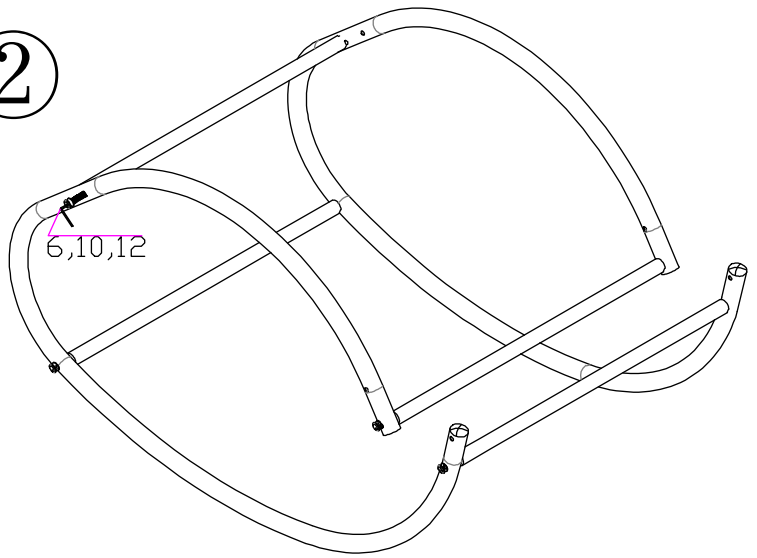


ASSEMBLY INSTRUCTION

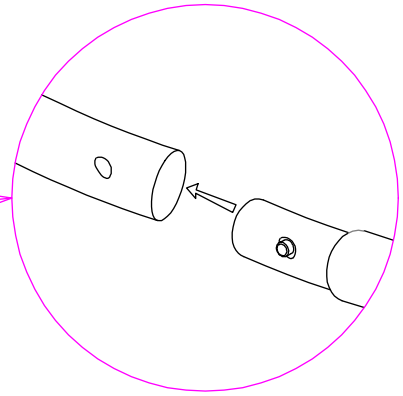
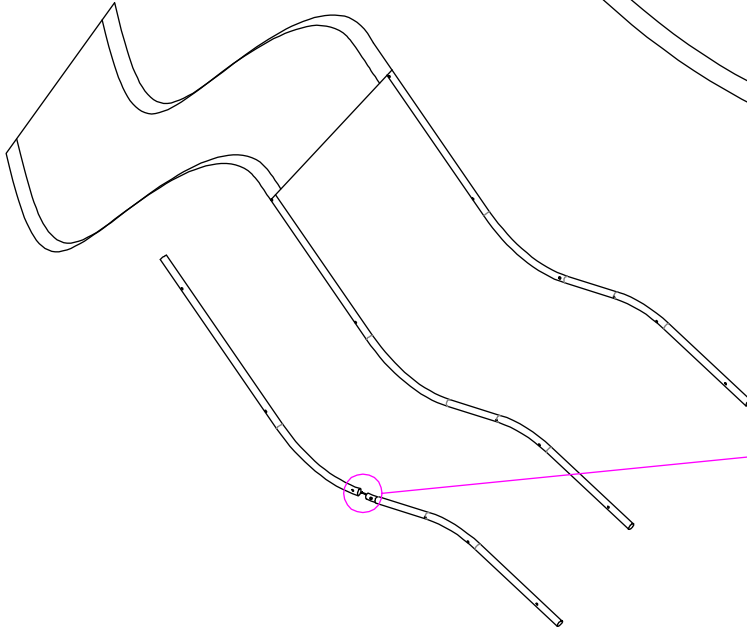


| | | | | | | | |
|---|---|------|--|----|---|----------|-------|
| 1 |  | 2PCS | | 8 |  | M6 | 6PCS |
| 2 |  | 2PCS | | 9 |  | M6*15 | 4PCS |
| 3 |  | 2PCS | | 10 |  | M6*50 | 8PCS |
| 4 |  | 4PCS | | 11 |  | M6*75 | 6PCS |
| 5 |  | 2PCS | | 12 |  | ø6.5*0.8 | 14PCS |
| 6 |  | 1PC | | 13 |  | ø6.5*4 | 6PCS |
| 7 |  | 1PC | | 14 |  | | 1PC1 |

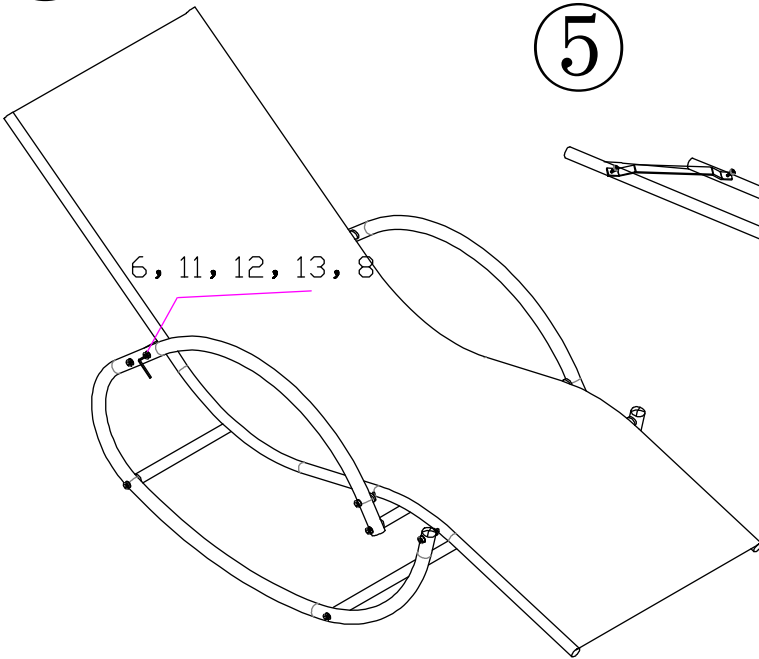
2



3



4



5

