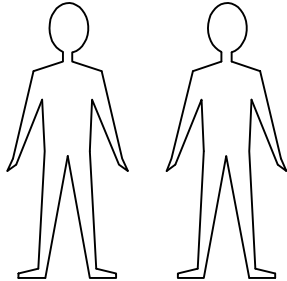


# ASSEMBLY INSTRUCTION



## CAUTION

1. This product requires 2 people for assembling.

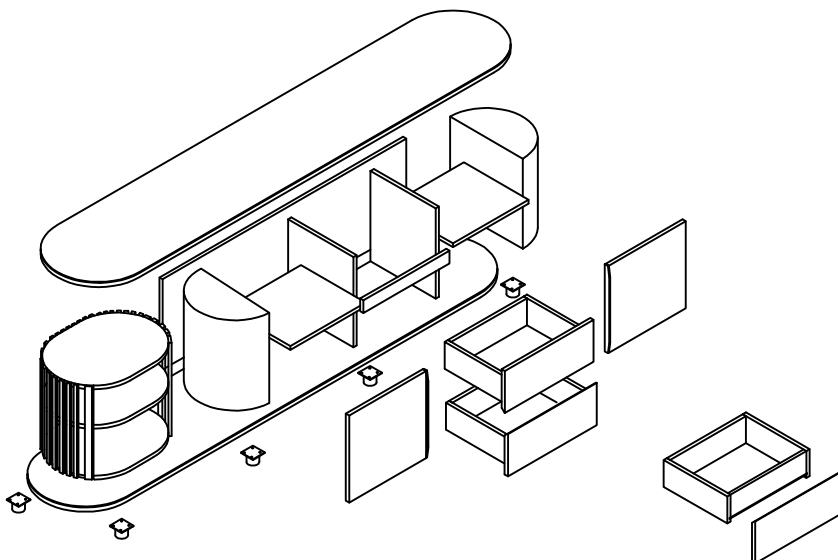


2. Assembling process should proceed on carpets, rug or empty cartons to prevent scratches or damages.

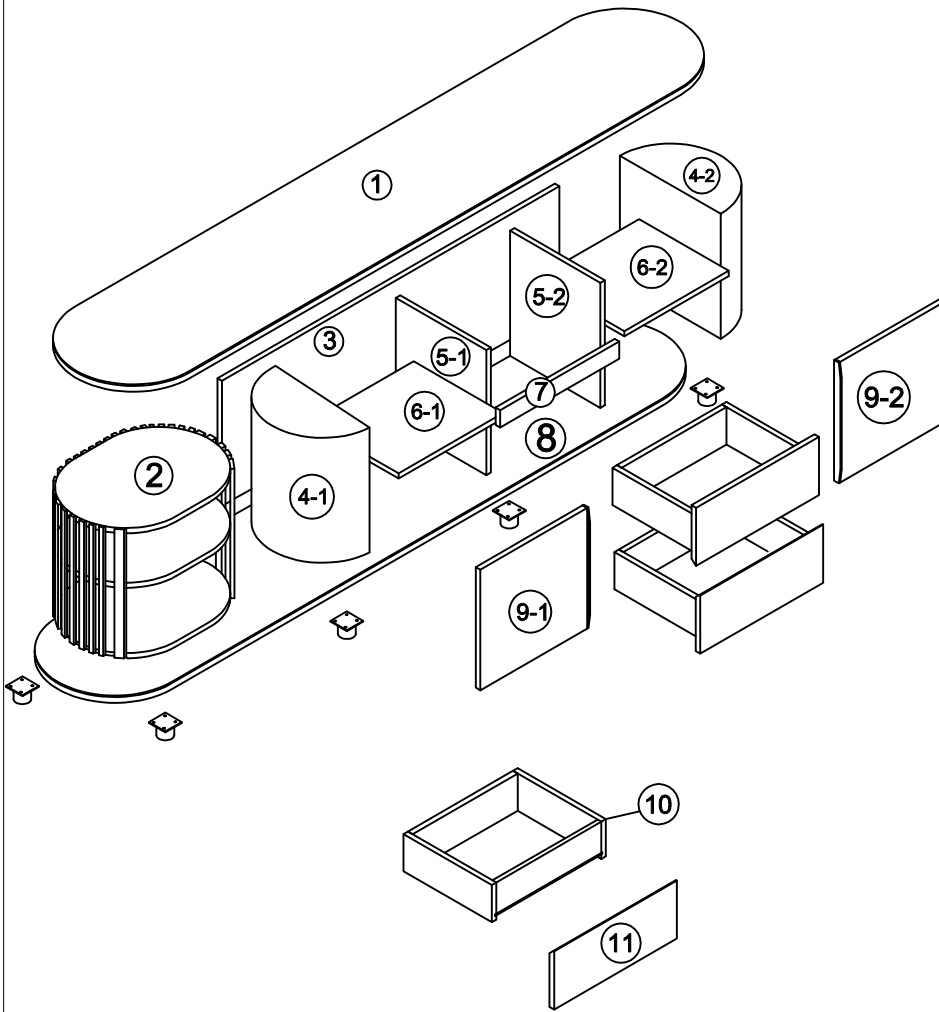
3. Make sure the product is completely assembled before using. If there have any hardware or components unfixed, do not use until you get them and assembled properly.

4. There have small components in the construction of this product. The loose components should be kept away from Children and pets to avoid any choking hazard.

5. There have plastic bags or thin films as packing material of this product, please keep away from children or pets to avoid suffocation

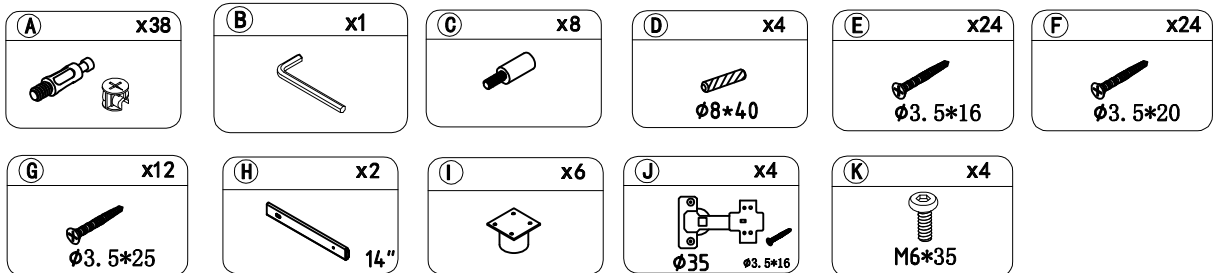


### Parts supplied for assembly

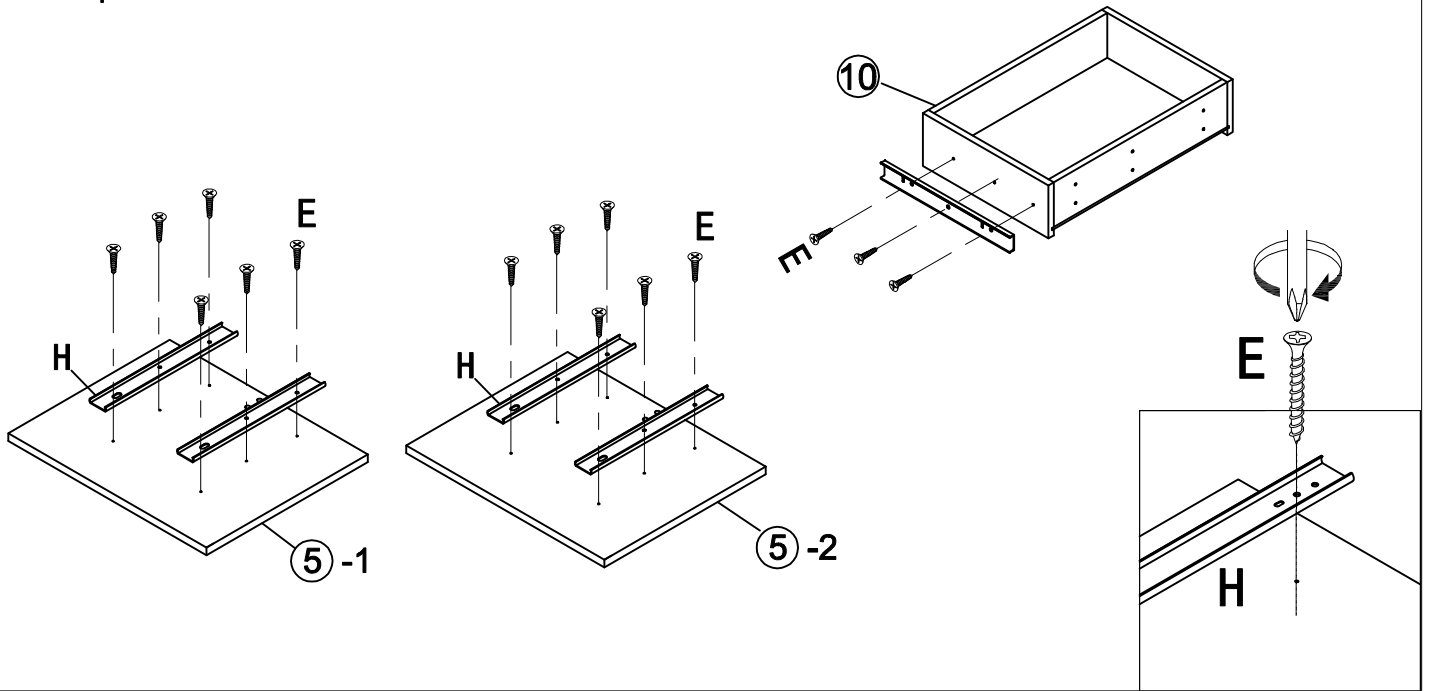


PART NO.	QTY
① x1	1
② x1	1
③ x1	1
④ x2	2
⑤ x2	2
⑥ x2	2
⑦ x1	1
⑧ x1	1
⑨ x2	2
⑩ x2	2
⑪ x2	2

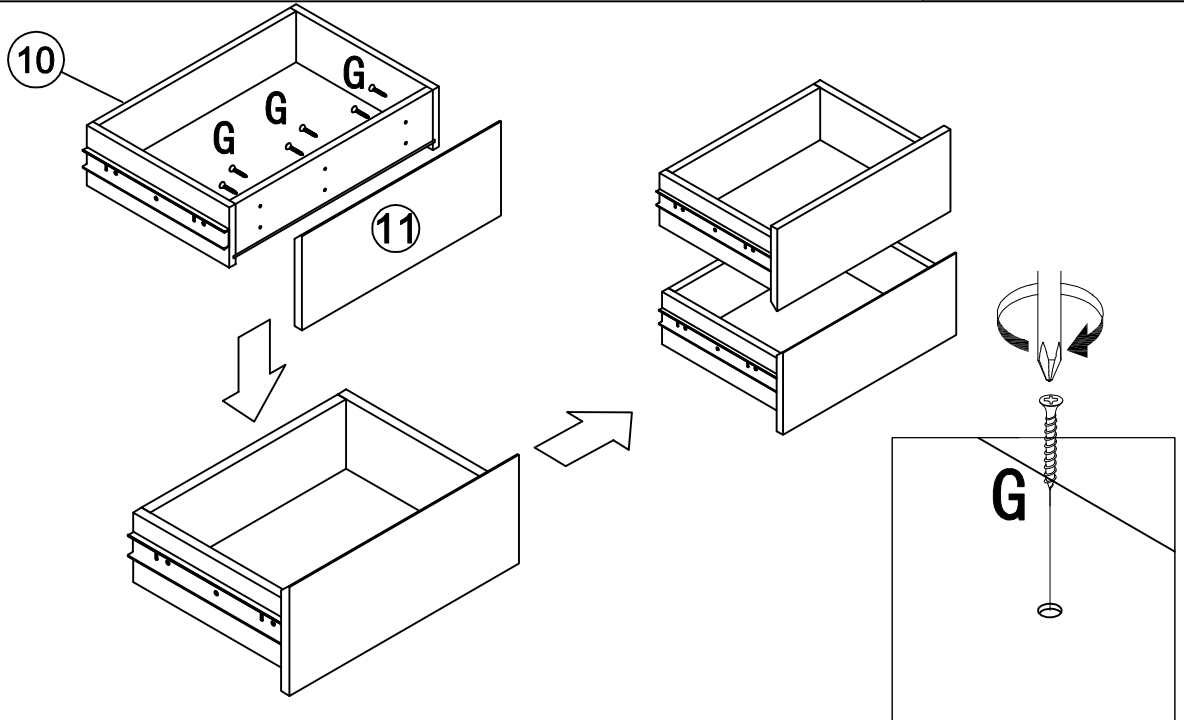
### Hardware supplied for assembly



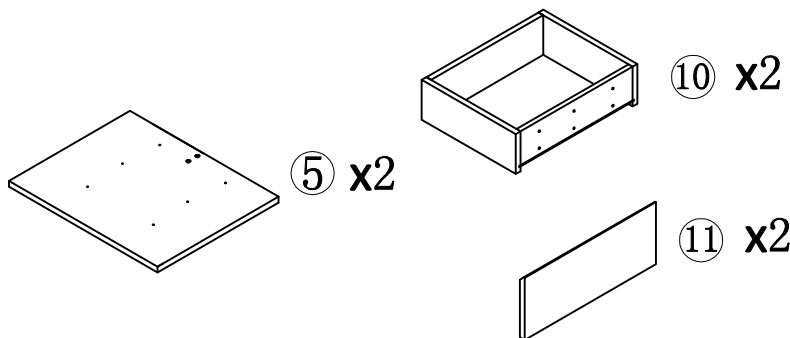
Step 1



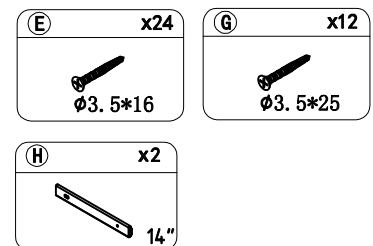
Step 2



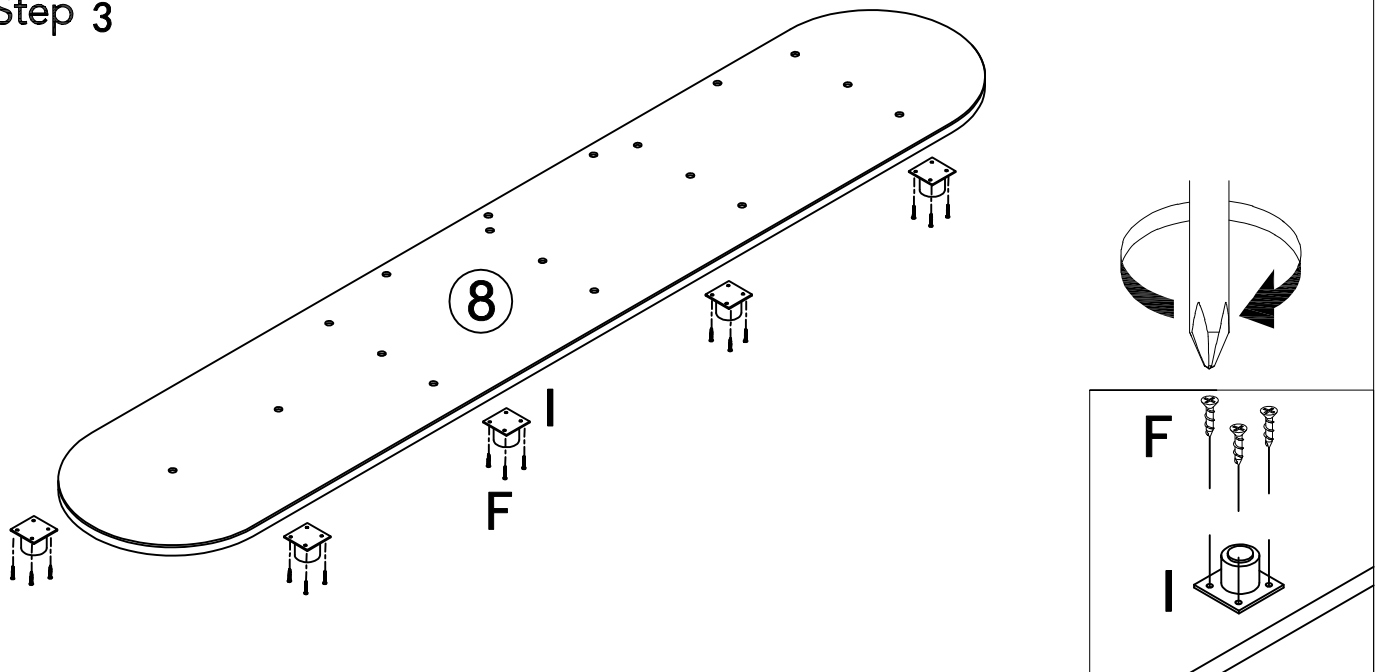
Parts



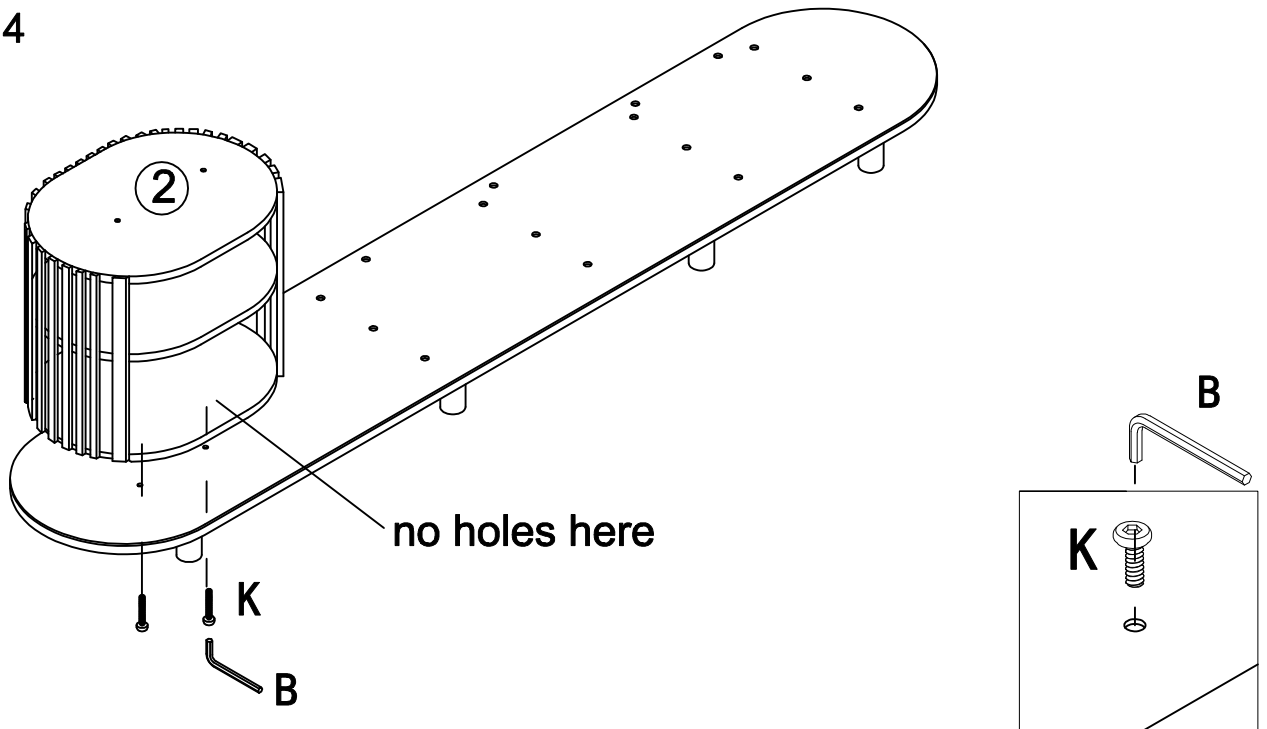
Hardware



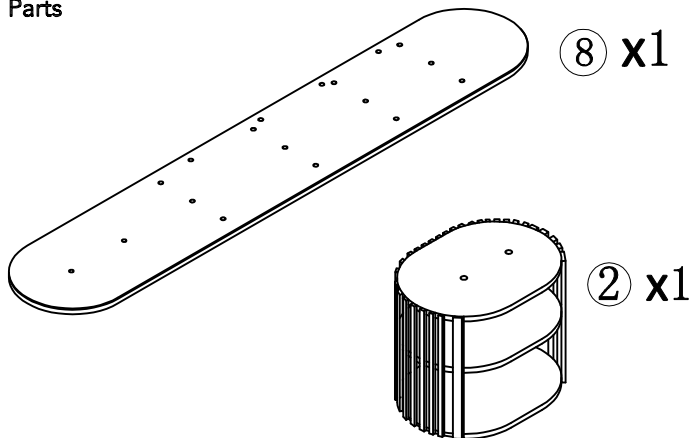
Step 3







Step 4



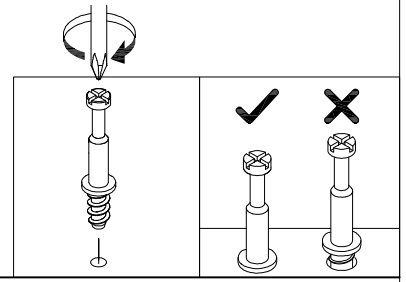
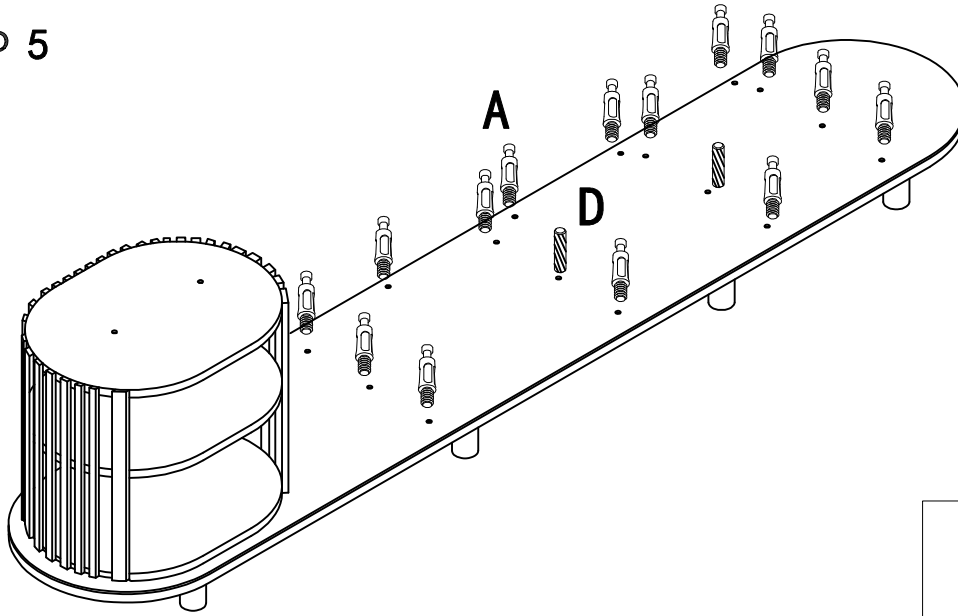
Parts



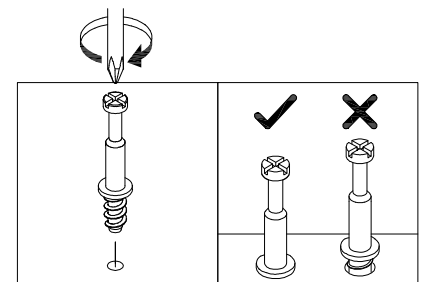
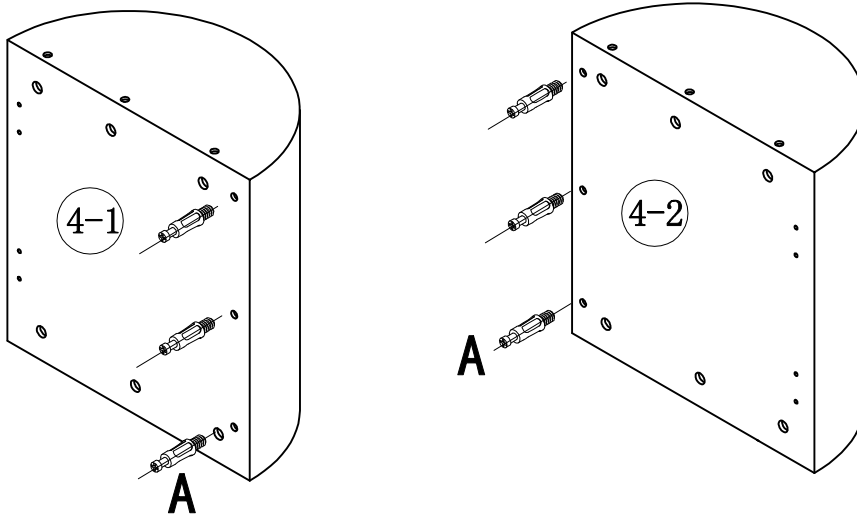
Hardware

<b>F</b>	x24	<b>I</b>	x6
	Ø3.5*20		
<b>K</b>	x4	<b>B</b>	x1
	M6*35		

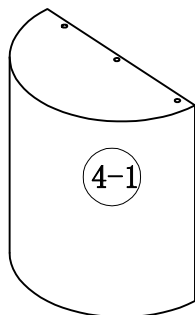
Step 5



Step 6

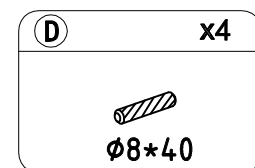
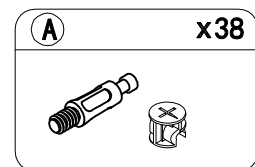


Parts

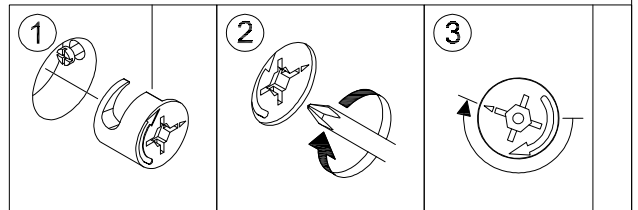
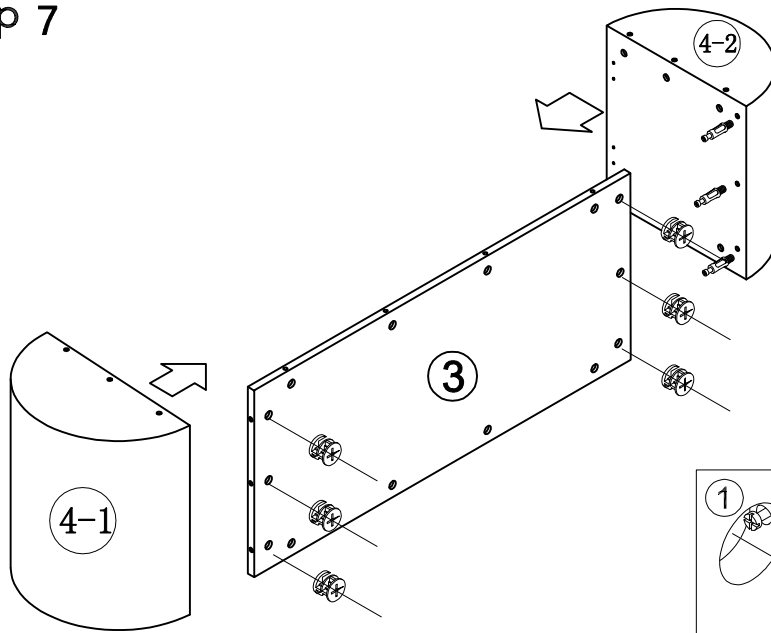


④ x2

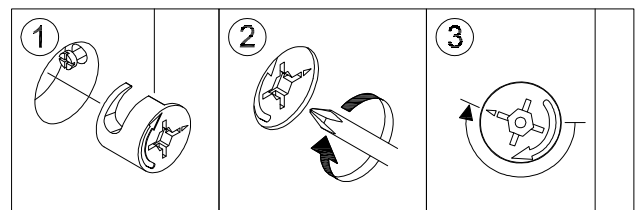
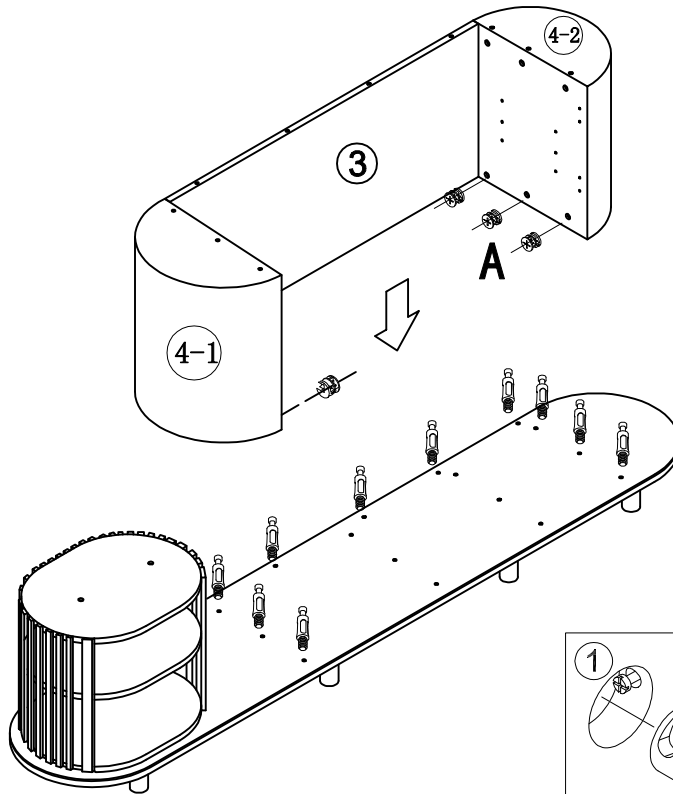
Hardware



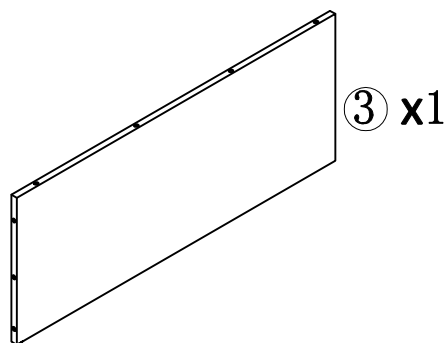
Step 7



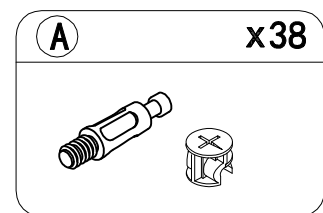
Step 8



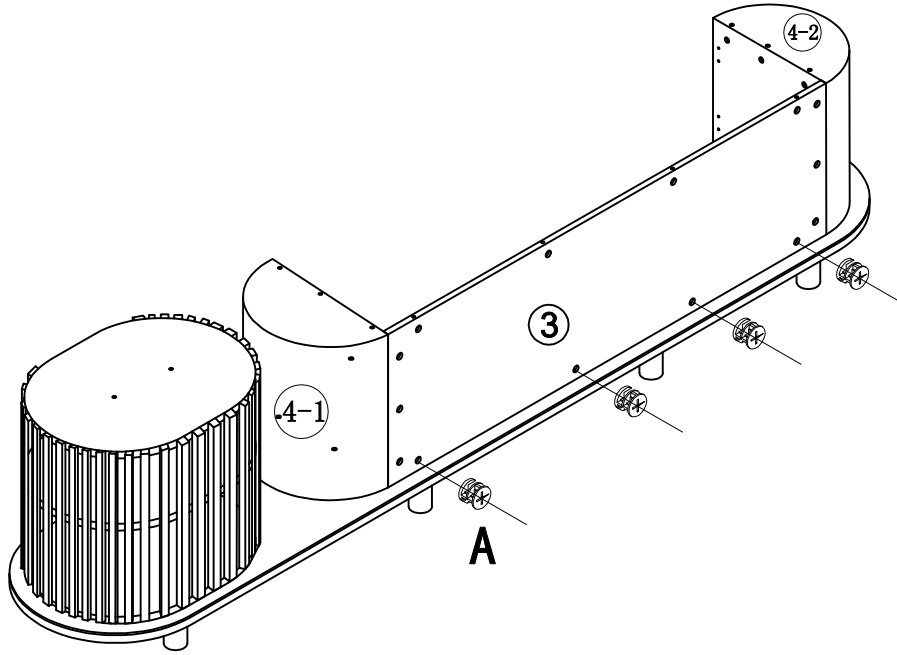
Parts



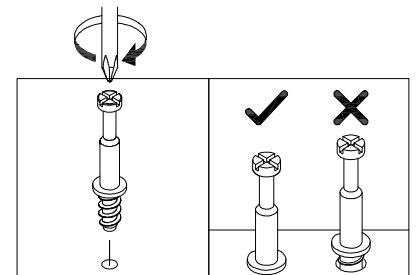
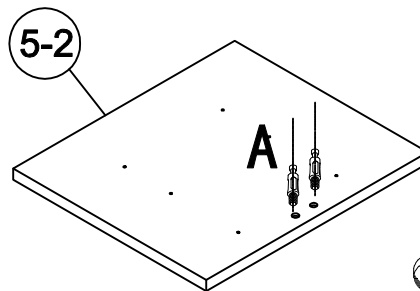
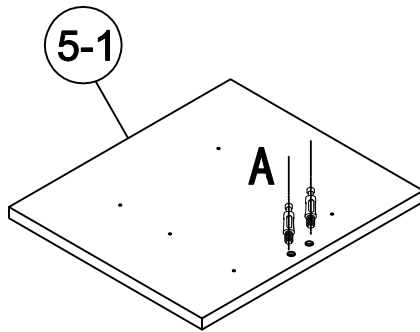
Hardware



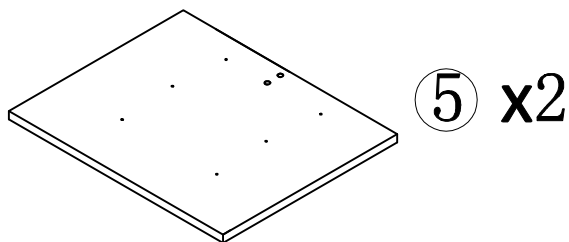
### Step 9



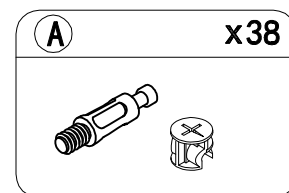
### Step 10



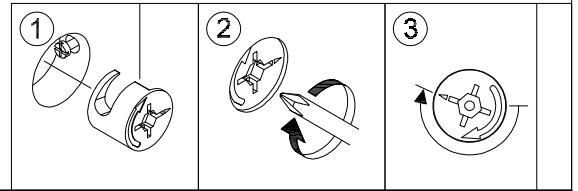
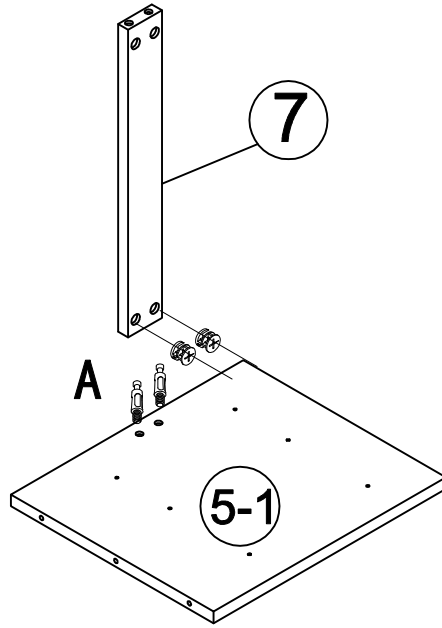
#### Parts



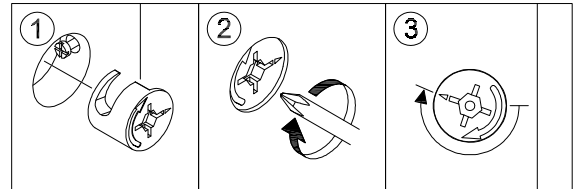
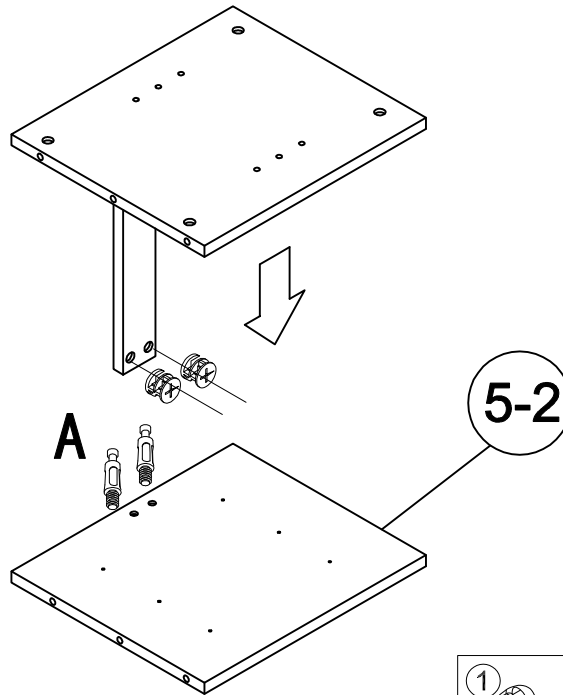
#### Hardware



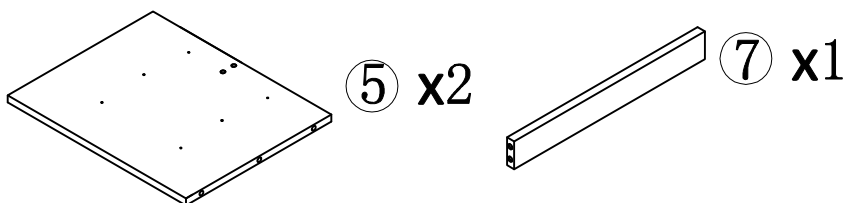
### Step 11



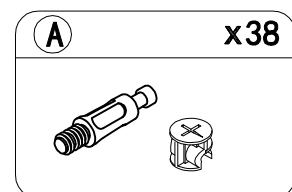
### Step 12



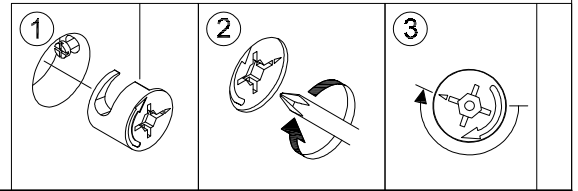
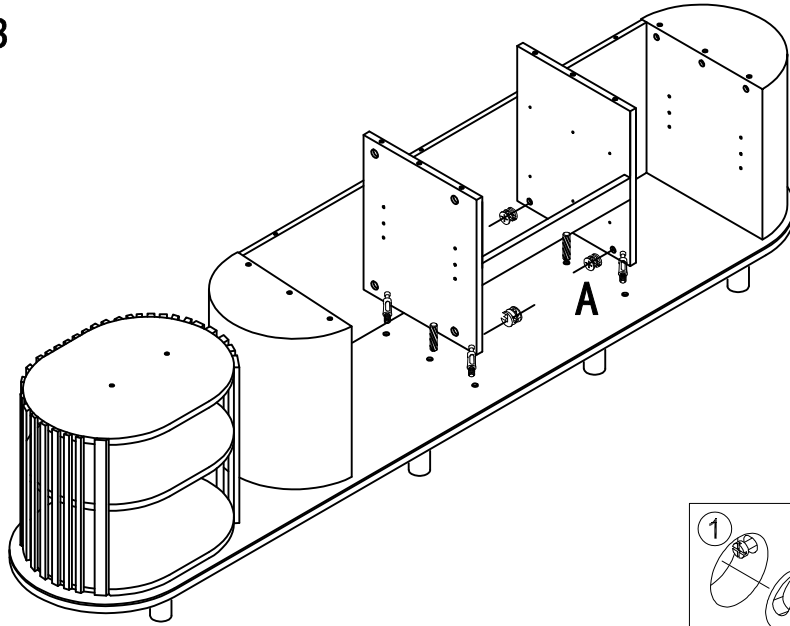
#### Parts



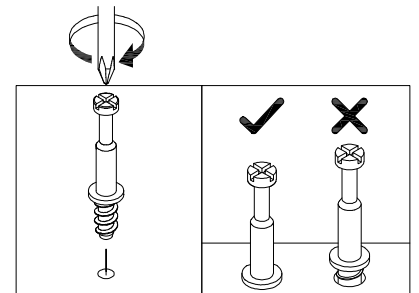
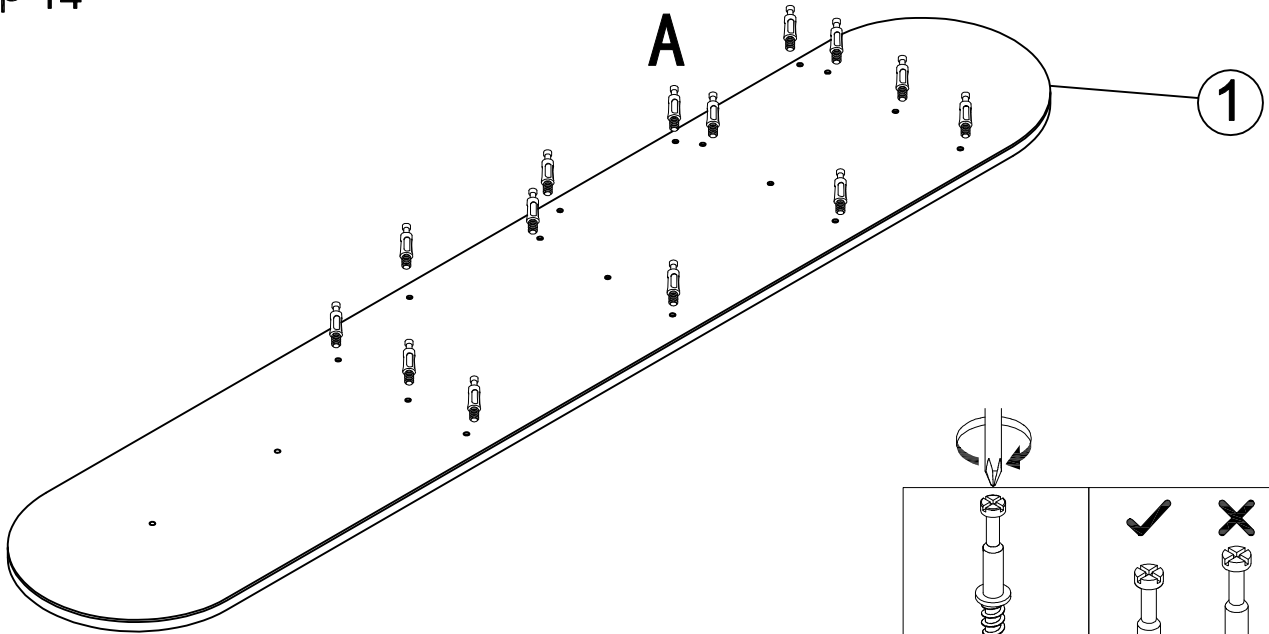
#### Hardware



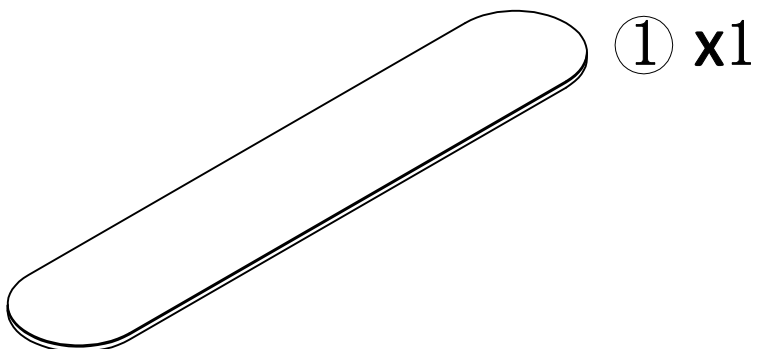
### Step 13



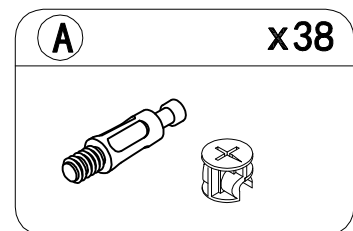
### Step 14



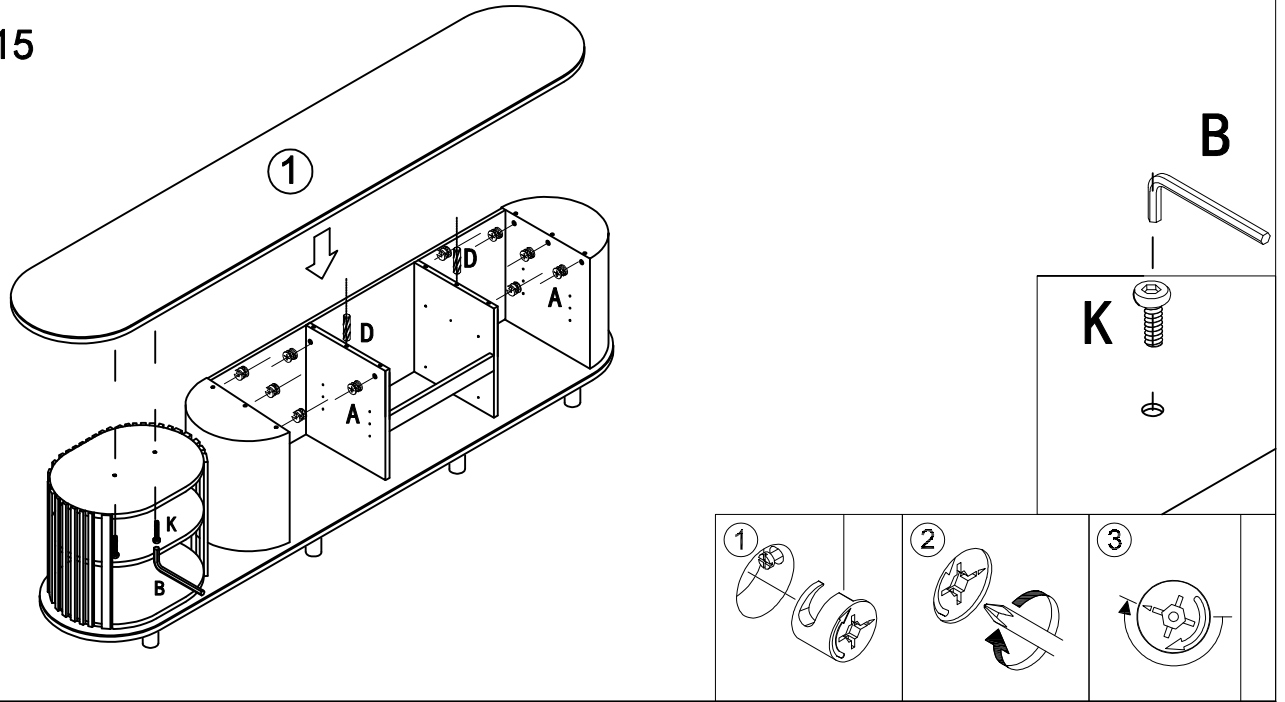
#### Parts



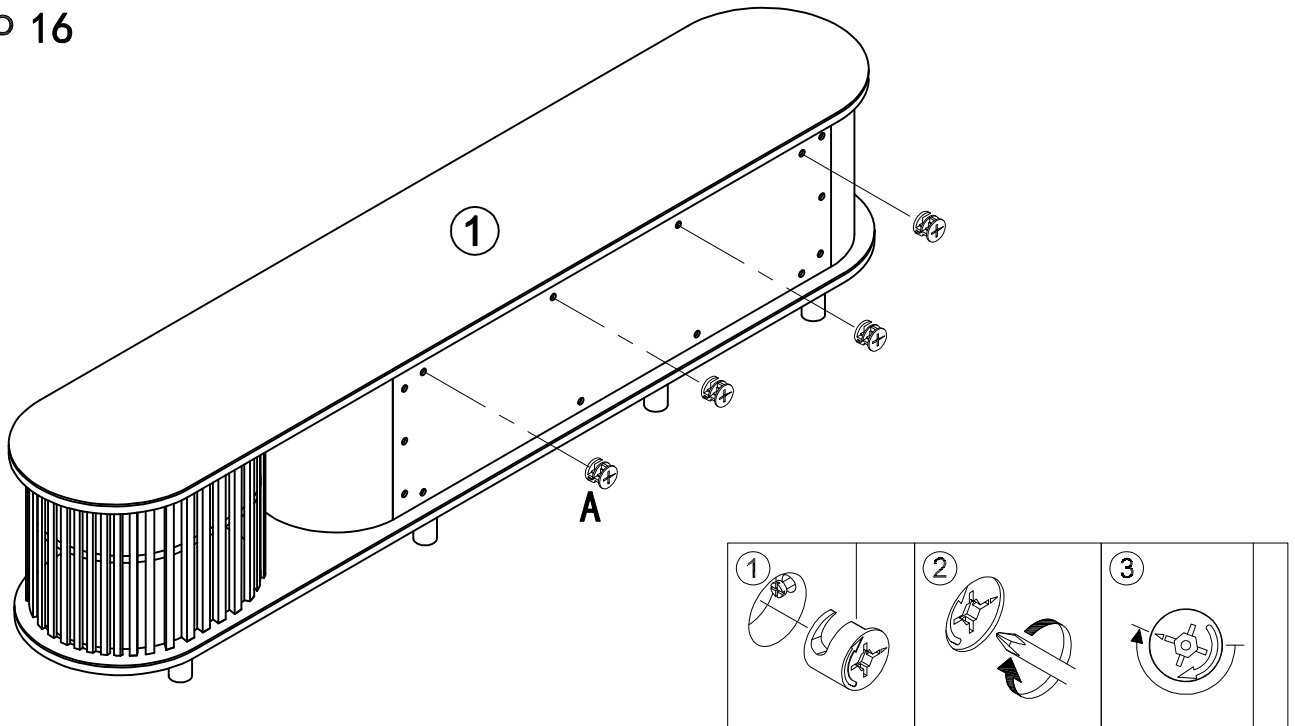
#### Hardware



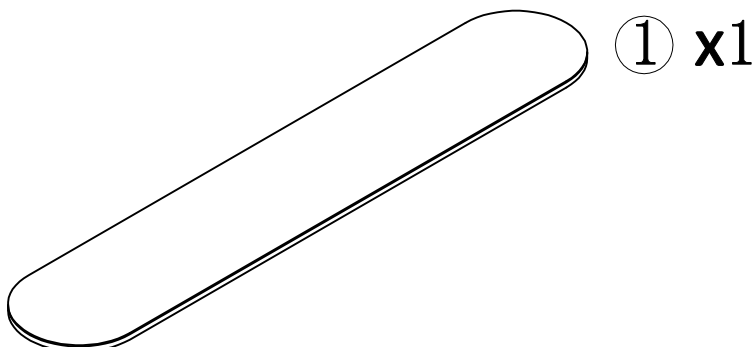
Step 15



Step 16



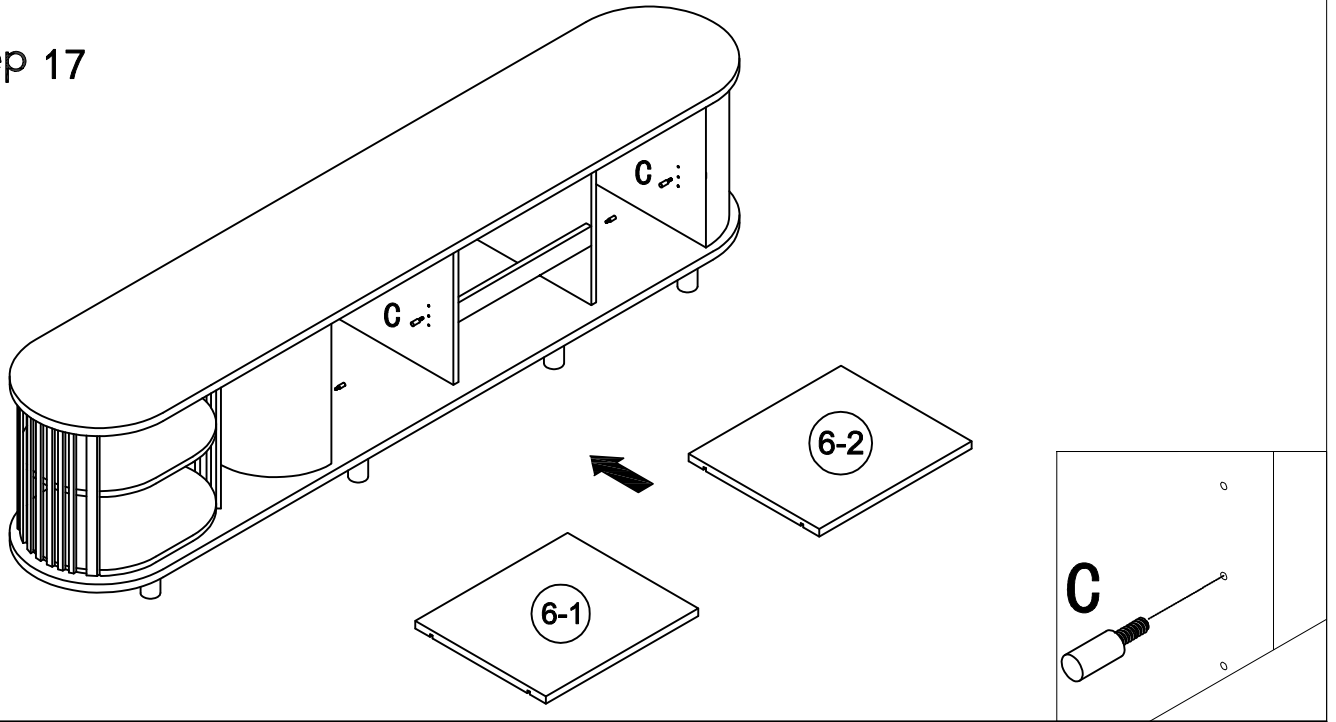
Parts



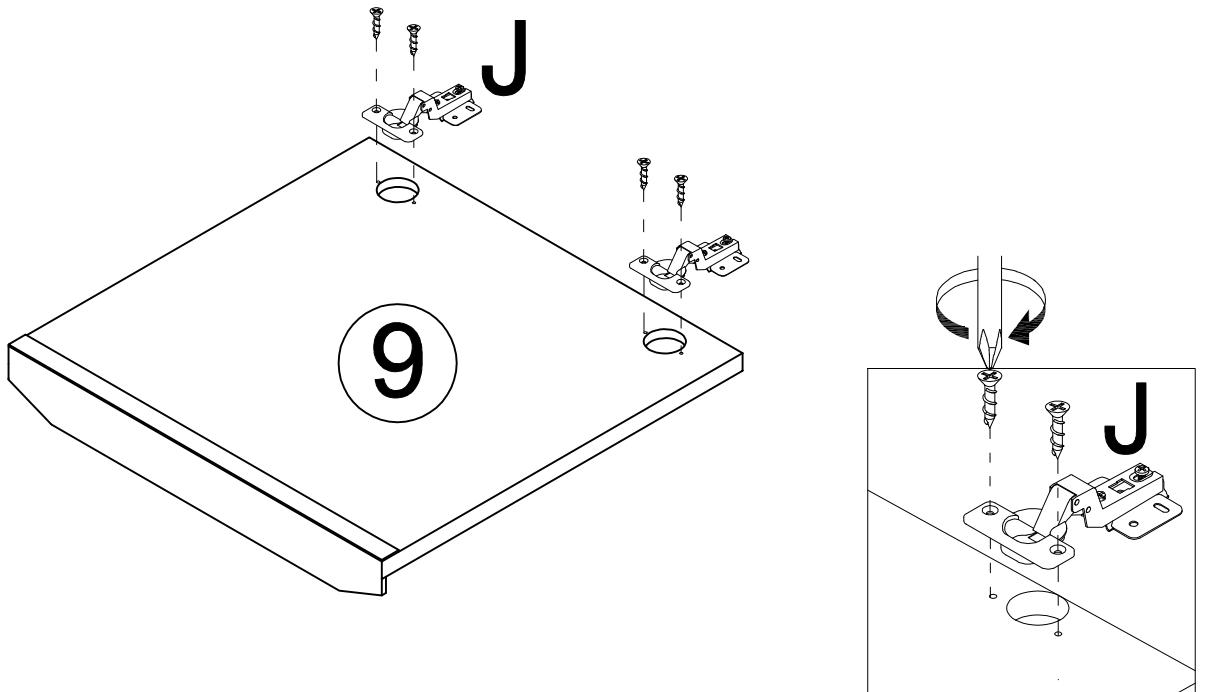
Hardware

<p><b>(A)</b> x38</p>	<p><b>(D)</b> x4</p> <p>Ø8*40</p>
<p><b>(K)</b> x4</p> <p>M6*35</p>	<p><b>(B)</b> x1</p>

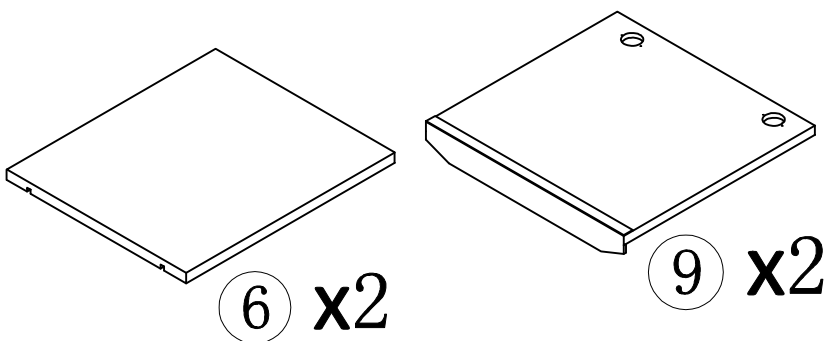
Step 17



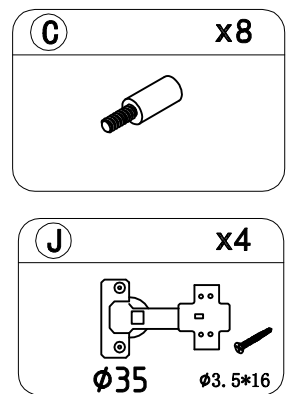
Step 18



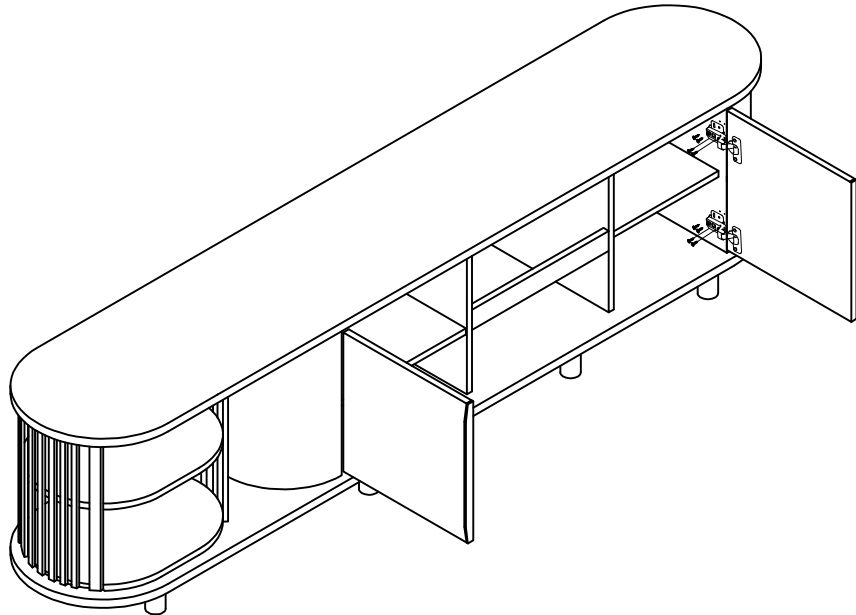
Parts



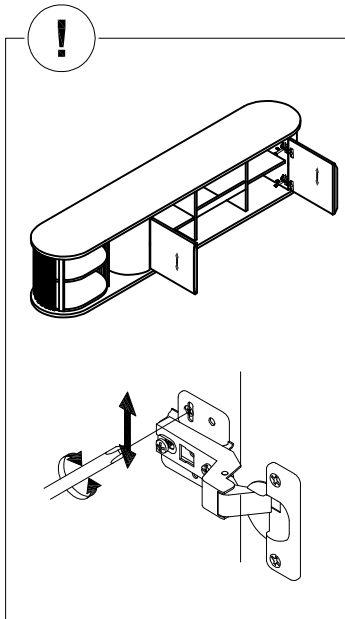
Hardware



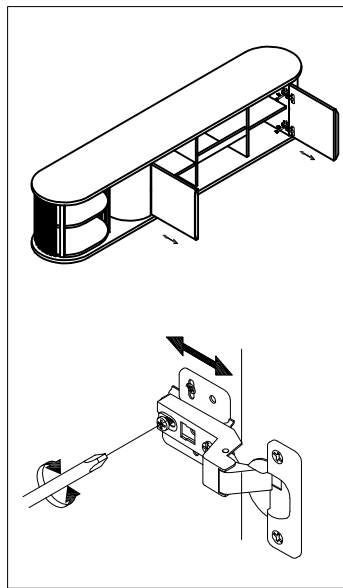
### Step 19



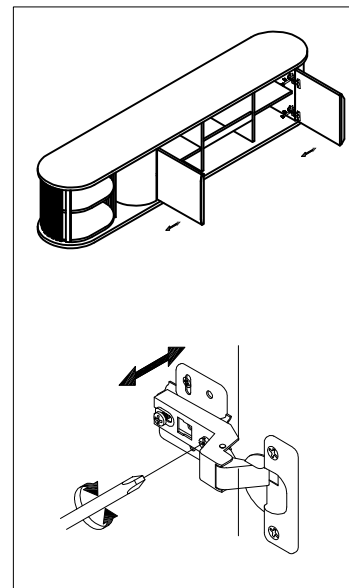
The Hinges can be adjusted in 3 directions when necessary



**Door Up and Down Adjustment -**  
Loosen or Tighten the screws on the mounting plate.



**Door In and Out Adjustment -**  
Loosen or Tighten the back screw of hinge

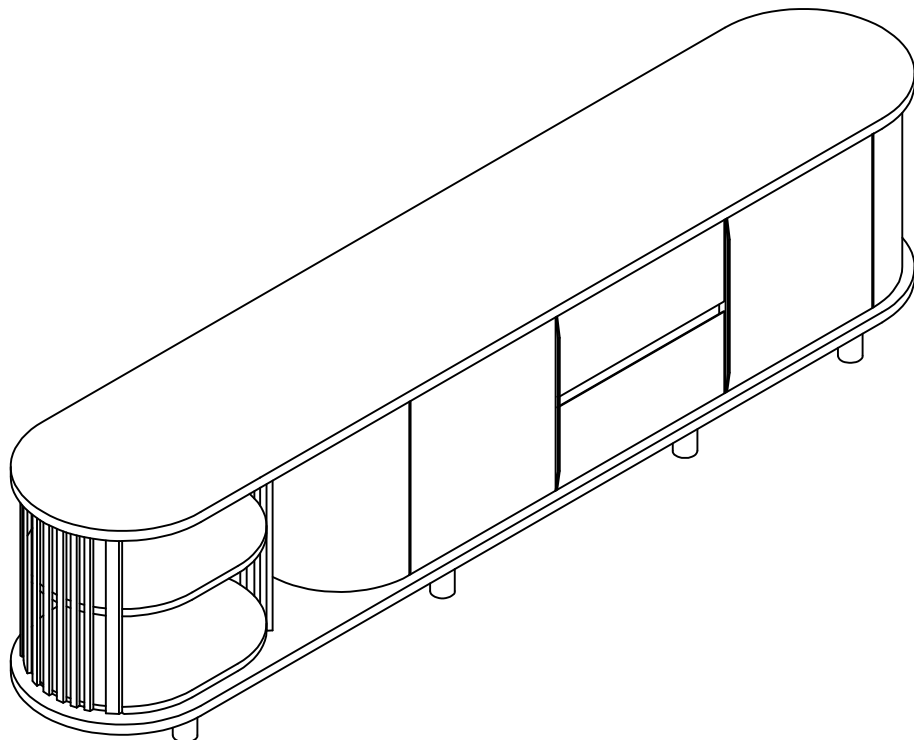
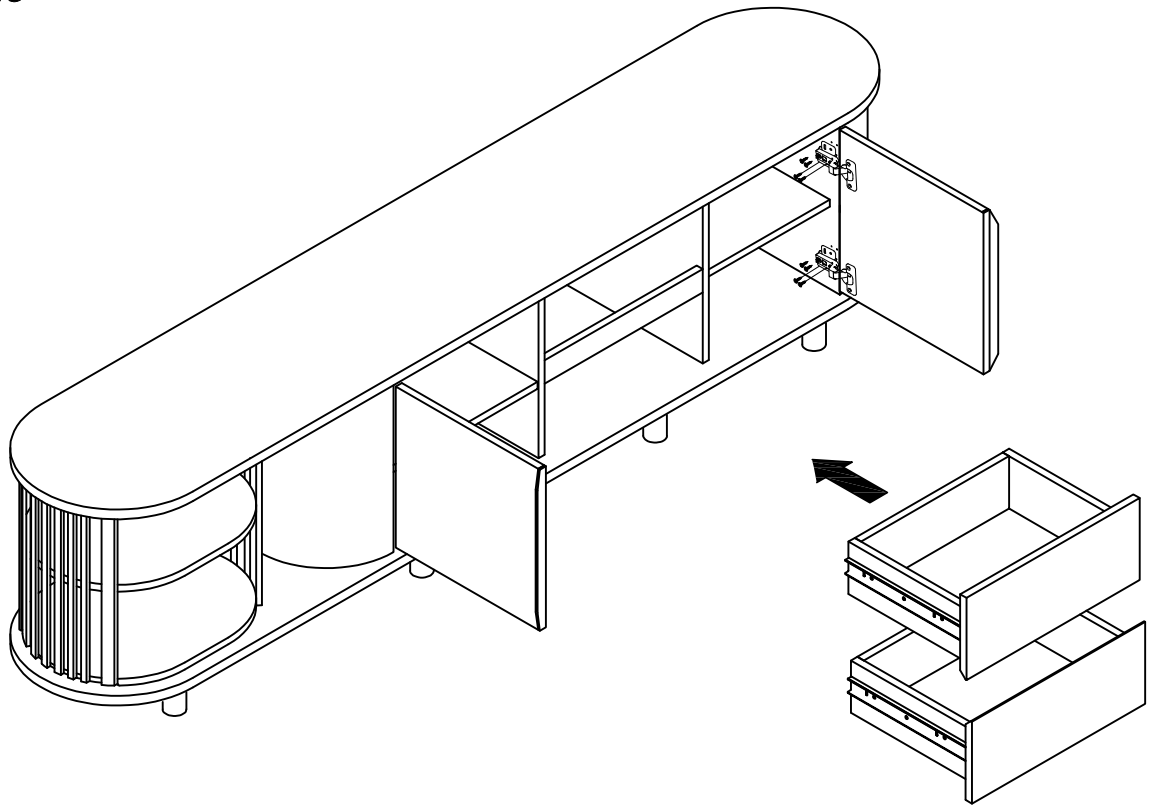


**Door Left and Right Adjustment -**  
Loosen or Tighten the front screw of hinge

Parts

Hardware

Step 20



# I Illustration of Drawer Slides Taking apart and Installation

