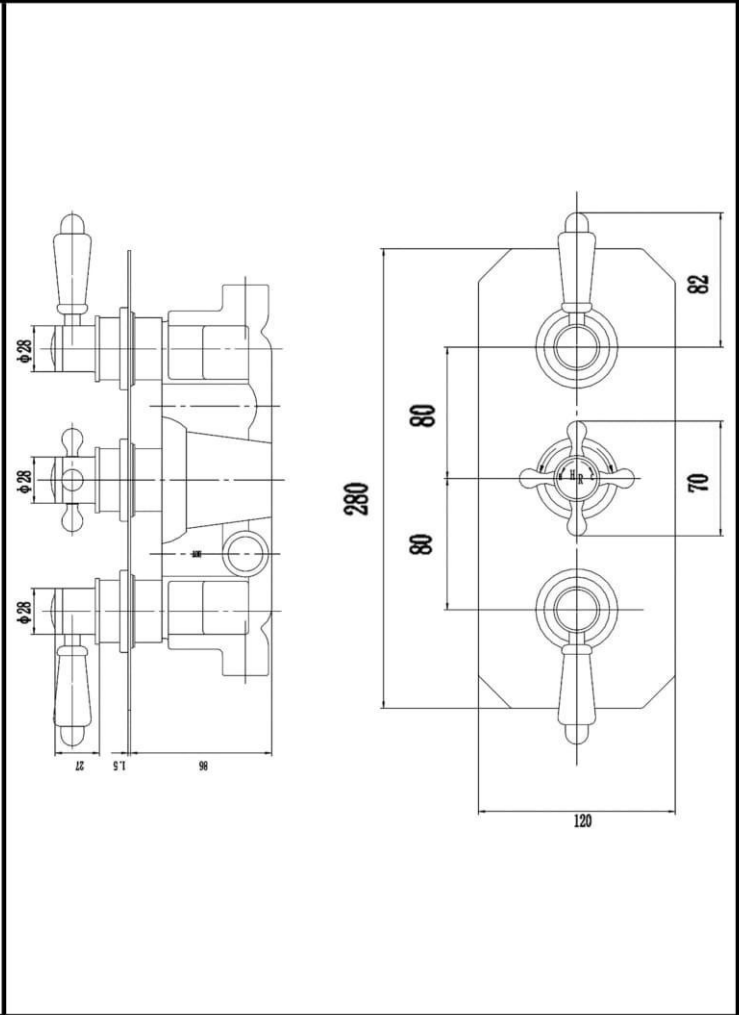


CUSTOMER DATA SHEET - SHOWERS

DESCRIPTION:

Traditional Triple Diverter Valve



PRODUCT DIMENSIONS				
Length(mm)	Width (mm)	Height (mm)	Depth (mm)	Nett Wgt Kg
	120	320	135	3.3

PACKAGING DIMENSIONS				
Length (mm)	Width (mm)	Depth (mm)	Gross Wgt Kg	
320	250	110	3.5	

PACKAGING DATA			
Box Colour	White Cardboard Box		
Box Qty	1	Label Colour	White Label
Label Size	100 x 50	Label Qty	1

OUTER BOX DIMENSIONS (If Applicable)				
Length (mm)	Width (mm)	Height (mm)	Depth (mm)	Gross Wgt Kg

PRODUCT DETAILS	
Country of Origin	
Fitting Instruction	Yes
Product Material	Brass/ABS
Mount Type	Wall
Outlet Elbow Supplied	Not Applicable
Easy Clean	Not Applicable
Head Included	No
Handset Included	No
Body Jets Included	Not Applicable
No of Body Jets	Not Applicable
Operating Pressure (bar)	0.1
Valve/Cartridge Type	1/4 Turn Ceramic Disc

Flow Rates (L/min)	0.1 bar	5.5	0.5 bar	14	1 bar	20	2 bar	29	3 bar	44
TMV2 Approved	No		Approval No.	N/A						
TMV3 Approved	No		Approval No.	N/A						
WRAS Approved	No		Approval No.	N/A						
Head Function	Not Applicable									
Handset Function	Not Applicable									
Body Jet Info	Not Applicable									
Pipe Size	15 mm (1/2" Bsp)									
Pipe Centres	N/A									
Colour/Finish	Chrome									
Hose Included	Not Applicable									