



# LED Flood Light





Type C



Type A



Type B



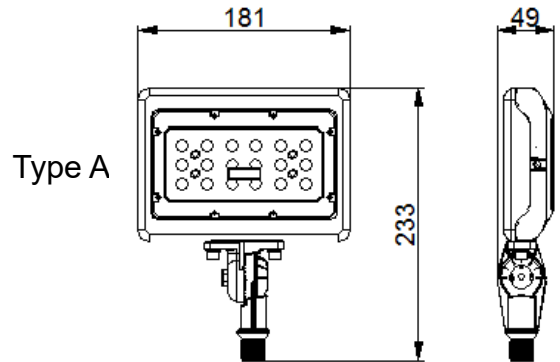
NAME: LED Flood Light

P/N: WEN-FL06-30WCT1A1-aaK

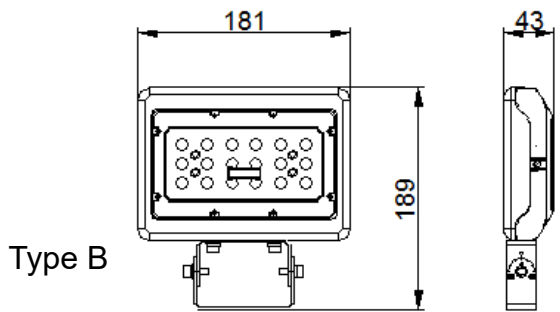
[Any color] [S,Blank] [Bracket,A,B,C]

Note: aa in P/N represent CCT, can be 30,35,  
40,45,50,57

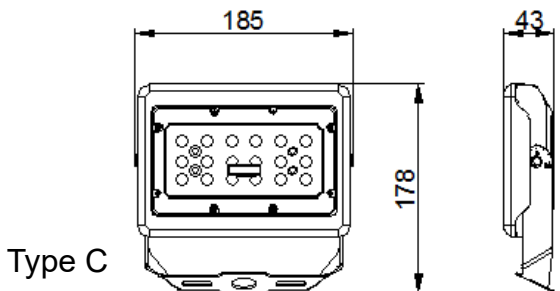
[S,Blank] represent Surge-Protective Device or none.



Type A



Type B



Type C

### Advantage:

- ☒ UL cUL DLC certificate
- ☒ Seoul Semiconductor Chip, high CRI
- ☒ China brand IP65 driver, Input voltage 100-277Vac
- ☒ No UV or IR in the beam
- ☒ Easy to install and operate
- ☒ Energy saving, Long lifespan
- ☒ Instant start, NO flickering, NO humming
- ☒ Green and eco-friendly without mercury.

### Application:

- ☒ Factory floor, libraries, square, park;
- ☒ Supermarkets, railway stations;
- ☒ Advertising lighting, etc.

## Product Specifications

|              |                       |
|--------------|-----------------------|
| Product name | LED Flood Light       |
| Part No      | WEN-FL06-30WCT1A1-aaK |
| Dimension    | Type A: 233*181*49 mm |
|              | Type B: 189*181*43mm  |
|              | Type C: 178*185*43 mm |

## Technical Characteristic

|                   |                                     |
|-------------------|-------------------------------------|
| Color temperature | 3000K/3500K/4000K/4500K/5000K/5700K |
| CRI               | >80                                 |
| Lumen             | 3450-3750 LM                        |
| Input Power       | 30W                                 |
| Beam Angle(10%)   | 150°                                |
| Beam Angle(50%)   | 110°                                |
| Input Voltage     | 100-277Vac 50/60Hz                  |
| Driver model      | Driver                              |
| Optional          | Surge Protection Device             |
| PF                | >0.9                                |
| Waterproof Rating | WET (IP65)                          |

## Materials

|               |                     |
|---------------|---------------------|
| LED Brand     | SEOUL SEMICONDUCTOR |
| LED Type      | Acrich MJT- 3030    |
| LED QTY       | 36PCS               |
| Housing       | Aluminum +PC+Steel  |
| Housing color | Black、 Brown        |

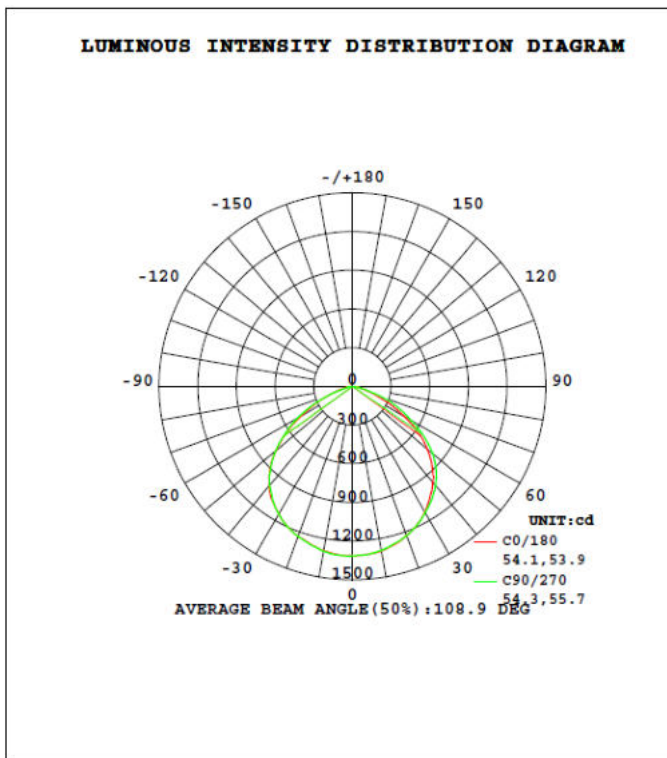
## Others

|                       |                  |
|-----------------------|------------------|
| Operating Temperature | -20°C TO 45°C    |
| Operating Humidity    | 20%-90% RH       |
| Storage Temperature   | -30°C TO 80°C    |
| Storage Humidity      | 10%-95%          |
| Application           | Outdoor / Indoor |
| Safety Certification  | UL、 cUL、 DLC     |
| Warranty Time         | 5 Years          |

## Light Distribution Testing Parameters

| DATA OF LAMP      |         | PHOTOMETRIC DATA <span style="float: right;">Eff: 114.98 lm/W</span> |        |                     |           |
|-------------------|---------|--|--------|---------------------|-----------|
| MODEL             |         | I <sub>max</sub> (cd)  | 1317   | S/MH (C0/180)       | 1.30      |
| NOMINAL POWER (W) | 30      | LOR (%)  | 100.0  | S/MH (C90/270)      | 1.29      |
| RATED VOLTAGE (V) | 120     | TOTAL FLUX (lm)  | 3423.1 | η UP, DN (C0-180)   | 0.0, 50.7 |
| NOMINAL FLUX (lm) | 3423.12 | CIE CLASS  | DIRECT | η UP, DN (C180-360) | 0.0, 49.3 |
| LAMPS INSIDE      | 1       | η up (%)   | 0.0    | CIBSE SHR NOM       | 1.25      |
| TEST VOLTAGE (V)  | 120.0   | η down (%)   | 100.0  | CIBSE SHR MAX       | 1.35      |

Flux out: 2654 lm

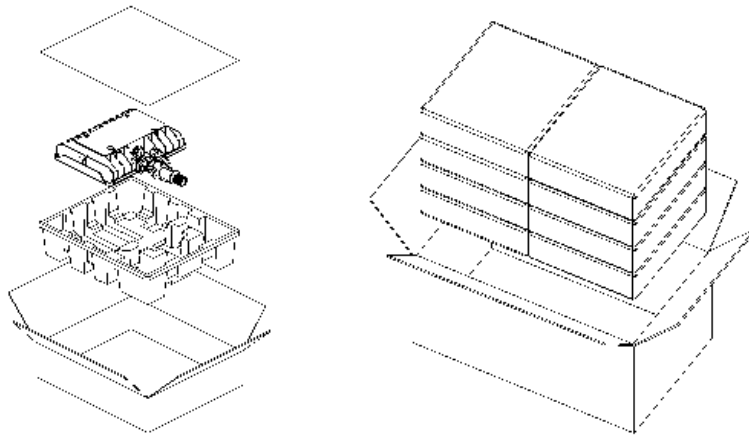


| Height | E <sub>avg</sub> , E <sub>max</sub> | Angle: 107.79deg | Diameter  |
|--------|-------------------------------------|------------------|-----------|
| 1m     | 445.9, 1318lx                       |                  | 274.22cm  |
| 2m     | 111.5, 329.4lx                      |                  | 548.44cm  |
| 3m     | 49.54, 146.4lx                      |                  | 822.66cm  |
| 4m     | 27.87, 82.36lx                      |                  | 1096.87cm |
| 5m     | 17.84, 52.71lx                      |                  | 1371.09cm |
| 6m     | 12.39, 36.61lx                      |                  | 1645.31cm |
| 7m     | 9.100, 26.89lx                      |                  | 1919.53cm |
| 8m     | 6.967, 20.59lx                      |                  | 2193.75cm |
| 9m     | 5.505, 16.27lx                      |                  | 2467.97cm |
| 10m    | 4.459, 13.18lx                      |                  | 2742.19cm |

Note: The Curves indicate the illuminated area and the average illumination when the luminaire is at different distance.

## Package

|                  |                | Type A         | Type B  | Type C  |
|------------------|----------------|----------------|---------|---------|
| Lamps Net Weight |                | 1.14 kg        | 1.10 kg | 1.12 kg |
| Inner box        | size           | 280*225*72mm   |         |         |
|                  | Qty/ Carton    | 1 PCS          |         |         |
|                  | Weight/ Carton | 1.43 kg        | 1.39 kg | 1.41 kg |
| Outer box        | size           | 465*295*315 mm |         |         |
|                  | Qty/ Carton    | 8 PCS          |         |         |
|                  | Weight/ Carton | 12.2 kg        | 11.9 kg | 12.1 kg |



## Notice For User

- ☒ Please turn off power before install or change assembly parts.
- ☒ The input voltage and lamps should be matched, after connecting the power line, Please make sure the wiring section is insulated.
- ☒ No-professionals, must not install and disassemble the lamps.

## Trouble Shootings

| Troubles                | Check points   |
|-------------------------|--|
| Flickering of the light | Turn off the power and turn on again in 3 minutes. If same phenomena occur, then call agencies |
| Out of working          | Please check the connection  |