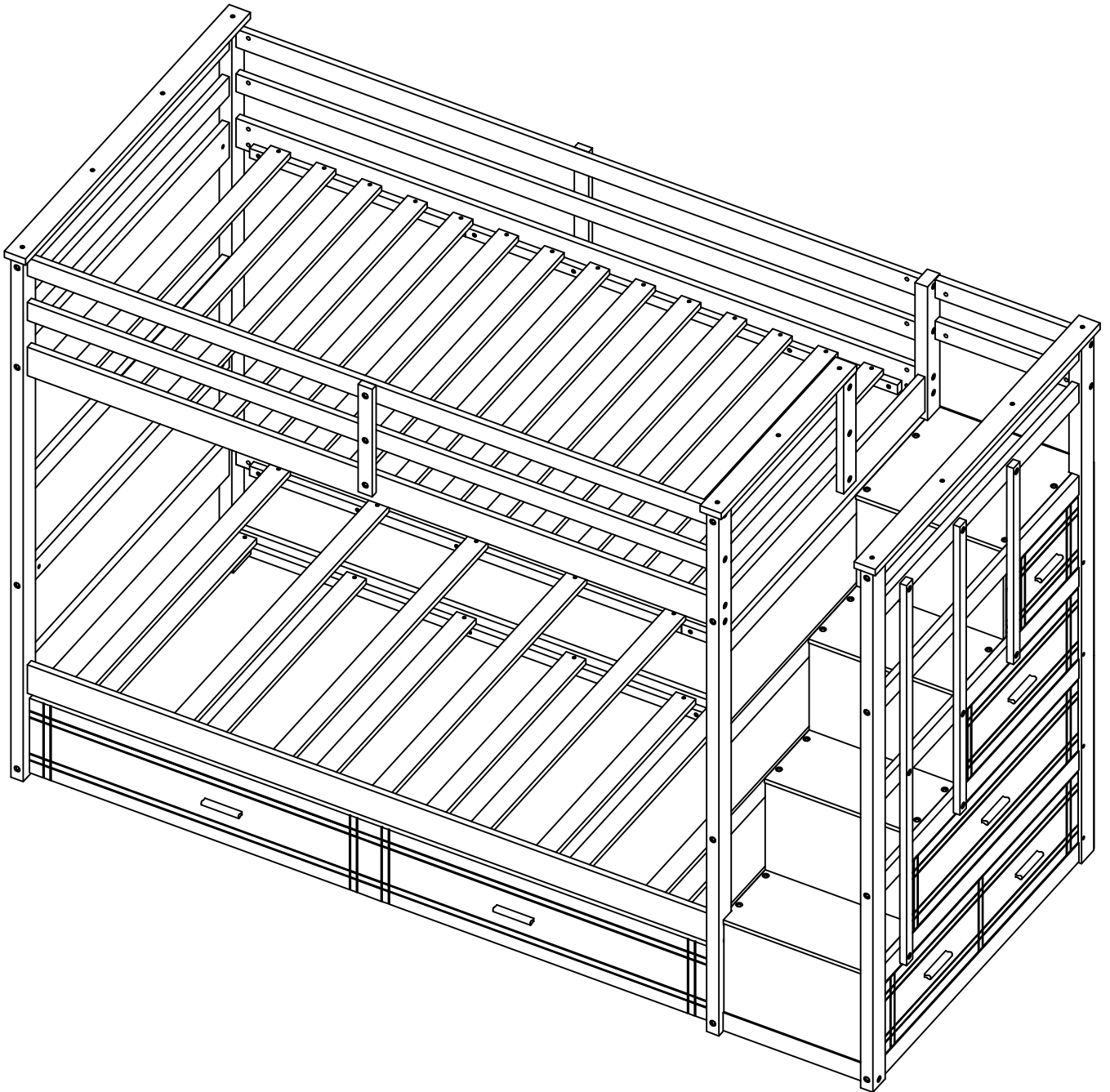


ASSEMBLY INSTRUCTION
SKU CODE: (WF309392-WF309393-WF309394)



1. This bed is designed for use only mattress (es) meeting the following specifications on the upper bunk, and lower bunk

Upper bed

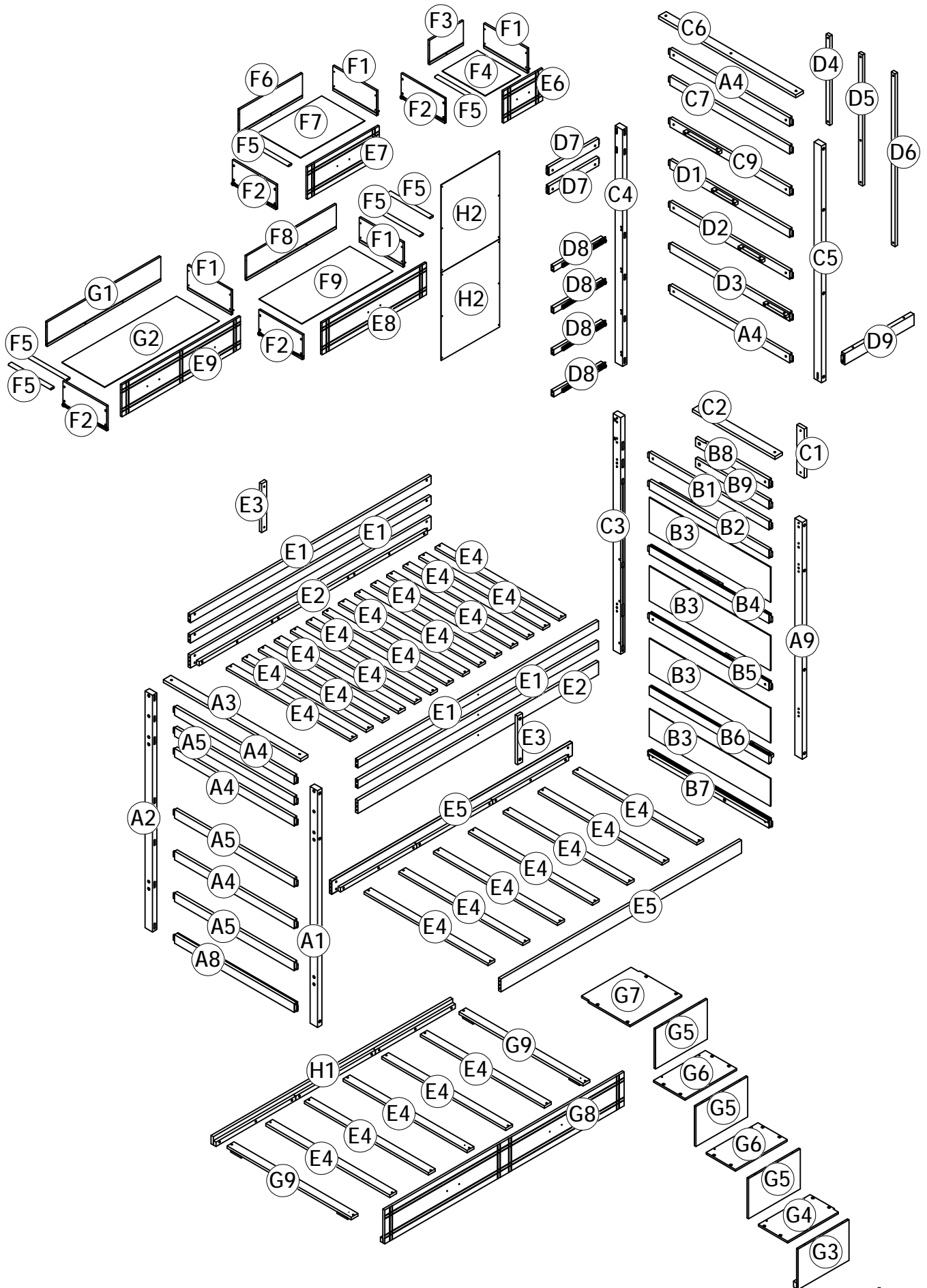
Bed Type	Length	Width	Thickness
<i>Twin Standard</i>	<i>74" - 75"</i>	<i>38 1/2"</i>	<i>6" max</i>

Lower bed

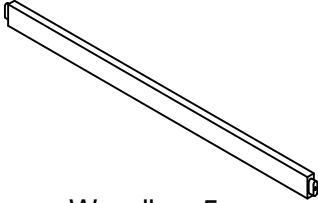


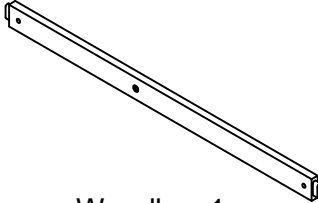


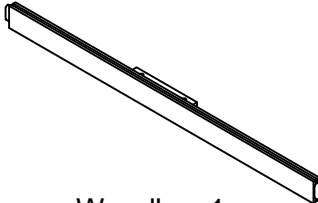
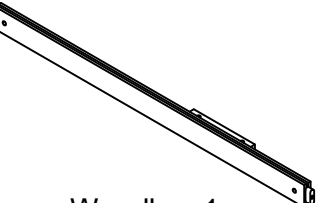


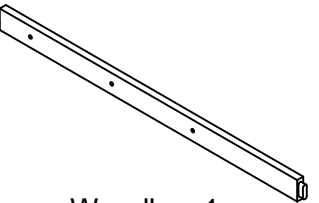
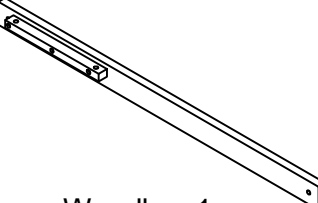
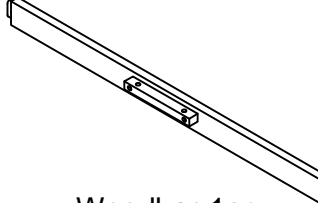
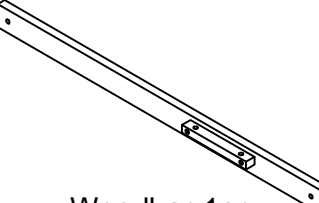
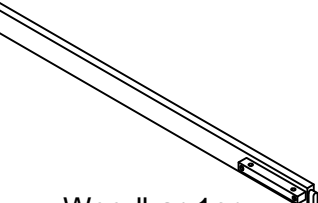
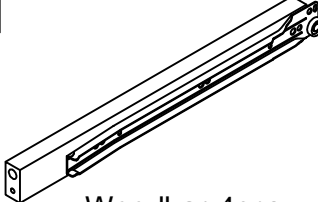
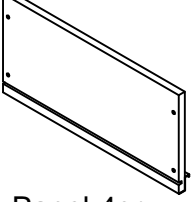
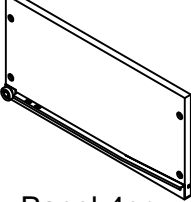
Bed Type	Length	Width	Thickness
<i>Twin Standard</i>	<i>74" - 75"</i>	<i>38 1/2"</i>	<i>8" max</i>

2. Replacement parts, including additional guardrails, maybe obtained from any of our (GIGACLOUD TECHNOLOGY (USA) INC. 18961 ARENTH AVENUE CITY OF INDUSTRY, CA, 91748) dealers
3. Follow the information on the warnings appearing on the upper bunk bed end structure and on the carton. Do not remove warning label from bed
4. Always use the recommended size mattresses or mattress supports, or both, to help prevent the likelihood of entrapment or falls.
5. Surface of mattress must be at least 5" (127mm) below the upper edge of guardrails
6. Do not allow children under 6 years of age to use the upper bunk.
7. Periodically check and ensure that the guardrail, ladder, and other components are in their proper position, free from damage, and that all connectors are tight.
8. Do not allow horseplay on or under the bed and prohibit jumping on the bed.
9. Always use the ladder for entering and leaving the upper bunk.
10. Do not use substitute part. Contact the manufacture or dealer for replacement part
11. Use of a night light may provide added safety precaution for a child using the upper bunk..
12. Always use guardrails on both long sides of the upper bunk. If the bunk bed will be placed next to the wall, the guardrail that runs the full length of the bed should be placed against the wall to prevent entrapment between the bed and wall.
13. The use of water or sleep flotation mattresses is prohibited
14. STRANGULATION HAZARD - Never attach or hang items to any part of the bunk bed that are not designed for use with the bed; for example, but not limited to, hook, belts and jump ropes
15. Keep these instruction for future reference
16. Prohibit more than one person on upper bunk
17. We recommend assembling your bunk bed on the shipping carton to protect your floor or carpet
18. Be certain all staples are out of the box before beginning assembly on the shipping carton.

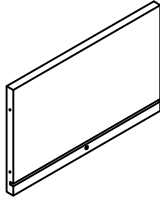
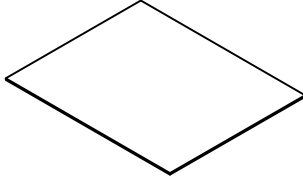
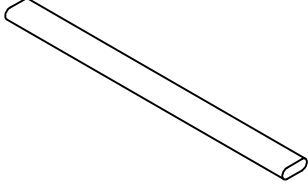
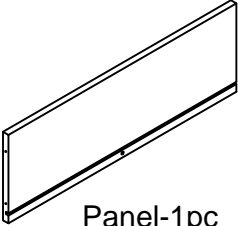
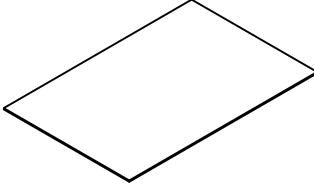
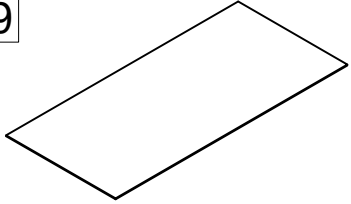
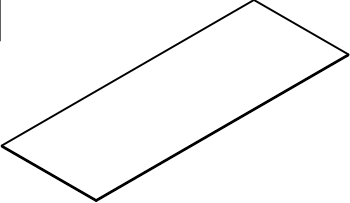
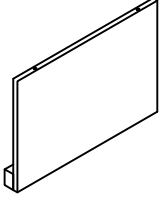
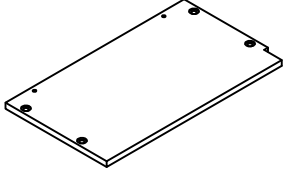
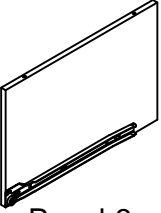
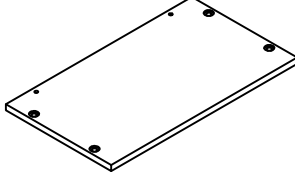
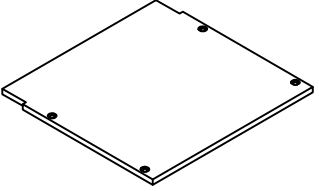
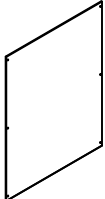
ASSEMBLY INSTRUCTION



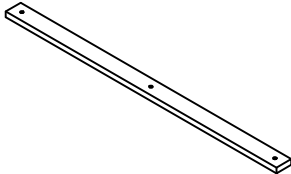
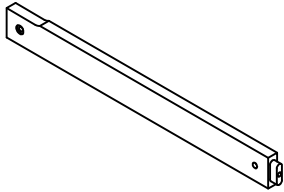

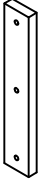
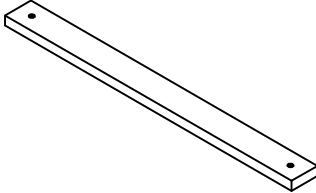



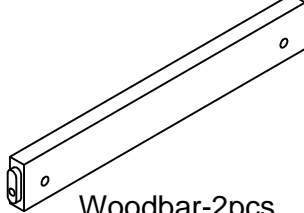
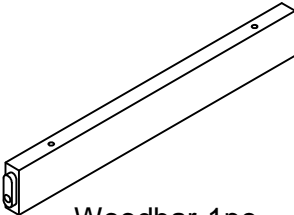

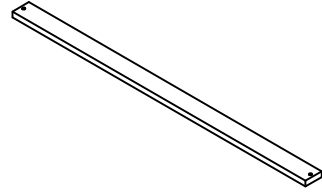
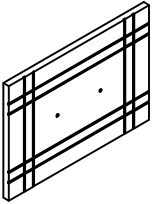
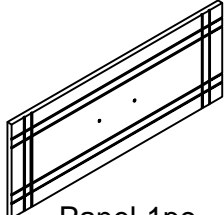
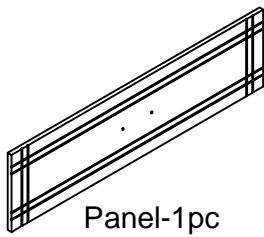
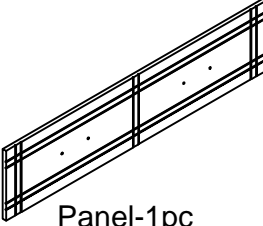
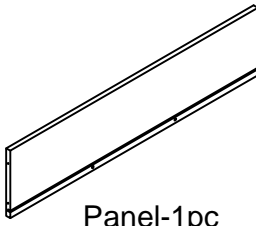
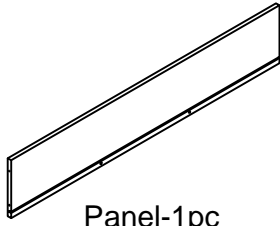
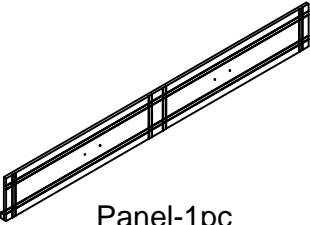
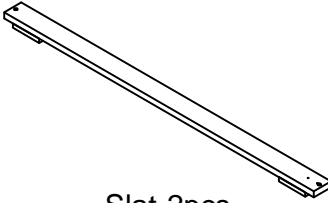
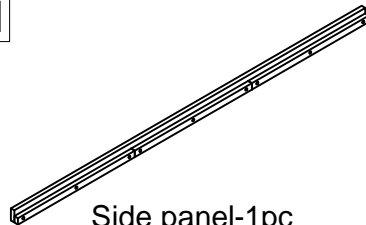
Part List (Box 1-WF309392)

<p>A4</p>  <p>Woodbar-5pcs</p>	<p>A5</p>  <p>Woodbar-3pcs</p>	<p>A8</p>  <p>Woodbar-1pc</p>
<p>B1</p>  <p>Woodbar-1pc</p>	<p>B2</p>  <p>Woodbar-1pc</p>	<p>B3</p>  <p>Panel-4pcs</p>
<p>B4</p>  <p>Woodbar-1pc</p>	<p>B5</p>  <p>Woodbar-1pc</p>	<p>B6</p>  <p>Woodbar-1pc</p>
<p>B7</p>  <p>Woodbar-1pc</p>	<p>C7</p>  <p>Woodbar-1pc</p>	<p>C9</p>  <p>Woodbar-1pc</p>
<p>D1</p>  <p>Woodbar-1pc</p>	<p>D2</p>  <p>Woodbar-1pc</p>	<p>D3</p>  <p>Woodbar-1pc</p>
<p>D8</p>  <p>Woodbar-4pcs</p>	<p>F1</p>  <p>Panel-4pc</p>	<p>F2</p>  <p>Panel-4pc</p>







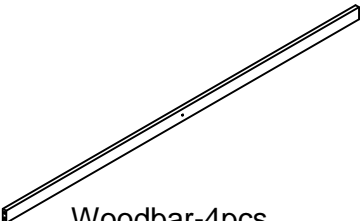
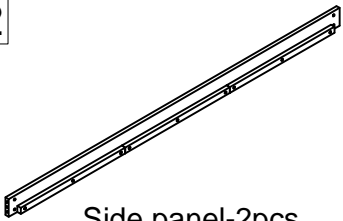
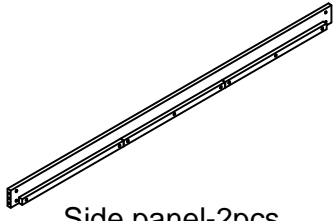
Part List (Box 1-WF309392)

<p>F3</p>  <p>Panel-1pc</p>	<p>F4</p>  <p>Panel-1pc</p>	<p>F5</p>  <p>Woodbar-6pcs</p>
<p>F6</p>  <p>Panel-1pc</p>	<p>F7</p>  <p>Panel-1pc</p>	<p>F9</p>  <p>Panel-1pc</p>
<p>G2</p>  <p>Panel-1pc</p>	<p>G3</p>  <p>Panel-1pc</p>	<p>G4</p>  <p>Panel-1pc</p>
<p>G5</p>  <p>Panel-3pcs</p>	<p>G6</p>  <p>Panel-2pcs</p>	<p>G7</p>  <p>Panel-1pc</p>
<p>H2</p>  <p>Panel-2pcs</p>		

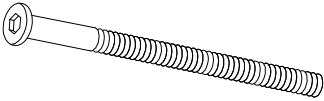

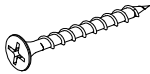
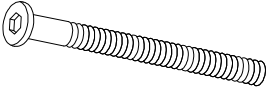
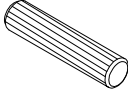
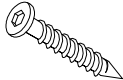
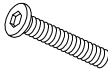

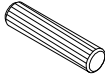
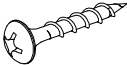
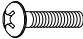
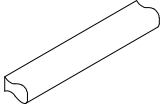
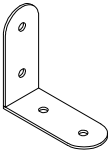
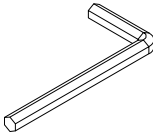
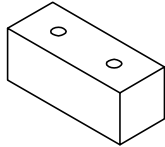
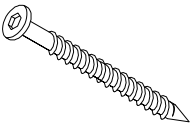

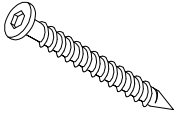
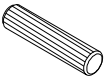
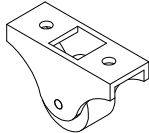
Part List (Box 2-WF309393)

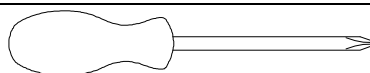
<p>A3</p>  <p>Woodbar-2pcs</p>	<p>B8</p>  <p>Woodbar-1pc</p>	<p>B9</p>  <p>Woodbar-1pc</p>
<p>C1</p>  <p>Woodbar-1pc</p>	<p>C2</p>  <p>Woodbar-1pc</p>	<p>D4</p>  <p>Woodbar-1pc</p>
<p>D5</p>  <p>Woodbar-1pc</p>	<p>D6</p>  <p>Woodbar-1pc</p>	<p>D7</p>  <p>Woodbar-2pcs</p>
<p>D9</p>  <p>Woodbar-1pc</p>	<p>E3</p>  <p>Woodbar-2pcs</p>	<p>E4</p>  <p>Slat-26pcs</p>
<p>E6</p>  <p>Panel-1pc</p>	<p>E7</p>  <p>Panel-1pc</p>	<p>E8</p>  <p>Panel-1pc</p>
<p>E9</p>  <p>Panel-1pc</p>	<p>F8</p>  <p>Panel-1pc</p>	<p>G1</p>  <p>Panel-1pc</p>
<p>G8</p>  <p>Panel-1pc</p>	<p>G9</p>  <p>Slat-2pcs</p>	<p>H1</p>  <p>Side panel-1pc</p>

Part List & Hardware List (Box 3-WF309394)

<p>A1</p>  <p>Woodleg-1pc</p>	<p>A2</p>  <p>Woodleg-1pc</p>	<p>A9</p>  <p>Woodleg-1pc</p>
<p>C3</p>  <p>Woodleg-1pc</p>	<p>C4</p>  <p>Woodleg-1pc</p>	<p>C5</p>  <p>Woodleg-1pc</p>
<p>E1</p>  <p>Woodbar-4pcs</p>	<p>E2</p>  <p>Side panel-2pcs</p>	<p>E5</p>  <p>Side panel-2pcs</p>

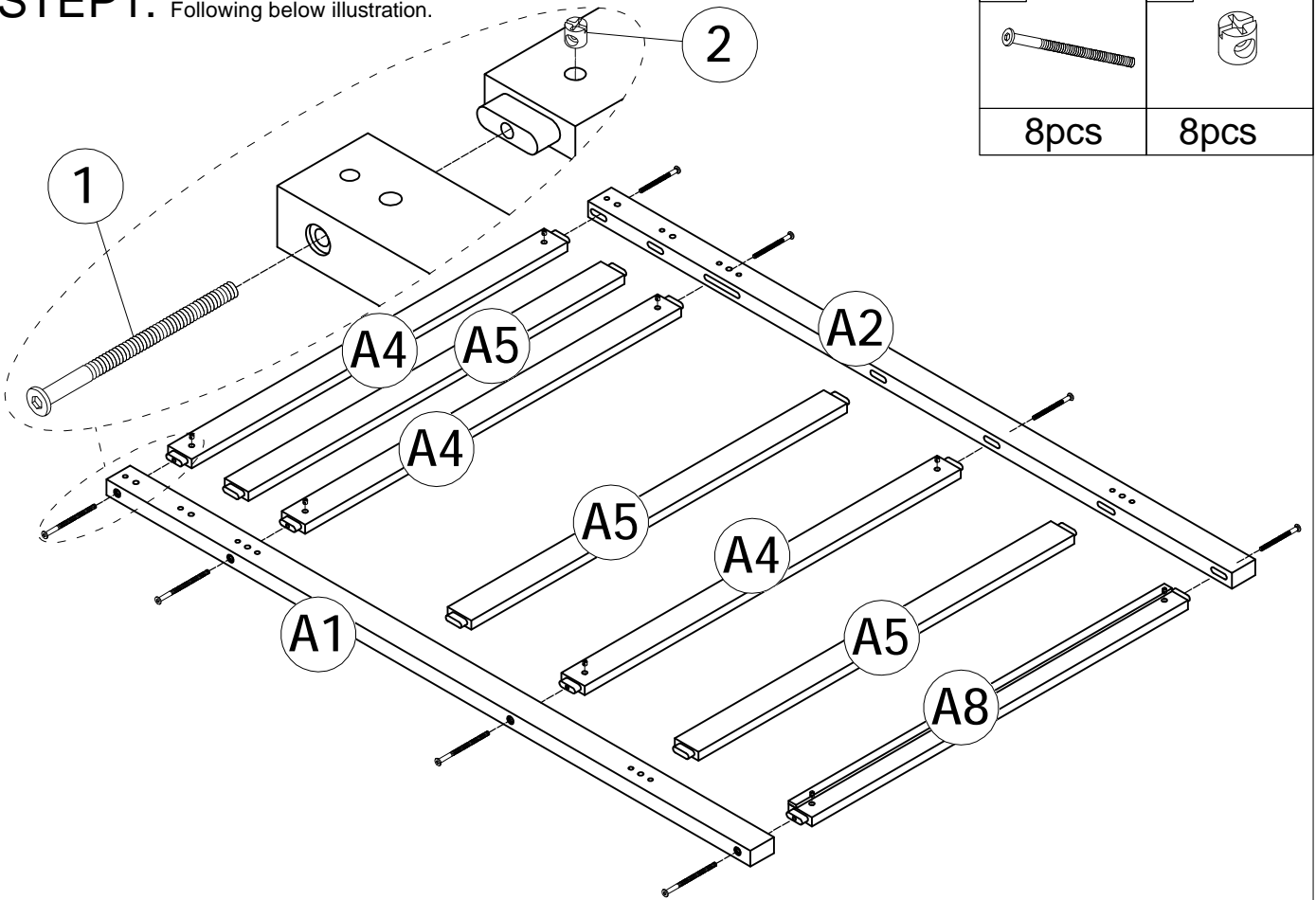
Hardware List (Box 3-WF309394)



<p>1</p>  <p>Ø1/4" x 100 mm Hex-Head bolts 23pcs</p>	<p>2</p>  <p>Ø1/4" x 12 mm Horizontal-Hole bolts 47pcs</p>	<p>3</p>  <p>M4 x 30 mm Wood Screws 106pcs</p>
<p>4</p>  <p>Ø1/4" x 80 mm Hex-Head bolts 24pcs</p>	<p>5</p>  <p>Ø10 x 40 mm Wood dowel 16pcs</p>	<p>6</p>  <p>Screws 1/4" x30 14pcs</p>
<p>7</p>  <p>Ø1/4" x 25 mm Hex-Head bolts 19pcs</p>	<p>8</p>  <p>Ø1/4" x 15 mm T-nut 3pcs</p>	<p>9</p>  <p>Ø8 x 30 mm Wood dowel 8pcs</p>
<p>10</p>  <p>M4 x 15 mm Wood Screws 12pcs</p>	<p>11</p>  <p>Bolt Ø1/6" x 15 mm 14pcs</p>	<p>12</p>  <p>Handle 7pcs</p>
<p>13</p>  <p>2x25x60x60 Metal L patt 3pcs</p>	<p>14</p>  <p>Allen Key 1pc</p>	<p>15</p>  <p>Block Drawer - 2pcs</p>
<p>16</p>  <p>Screws 1/4" x60 8pcs</p>	<p>17</p>  <p>M4 x 15 mm Wood Screws 20pcs</p>	<p>18</p>  <p>Screws 1/4" x50 4pcs</p>
<p>19</p>  <p>Ø6 x 30 mm Wood dowel 16pcs</p>	<p>20</p>  <p>Wheels - 4pcs</p>	



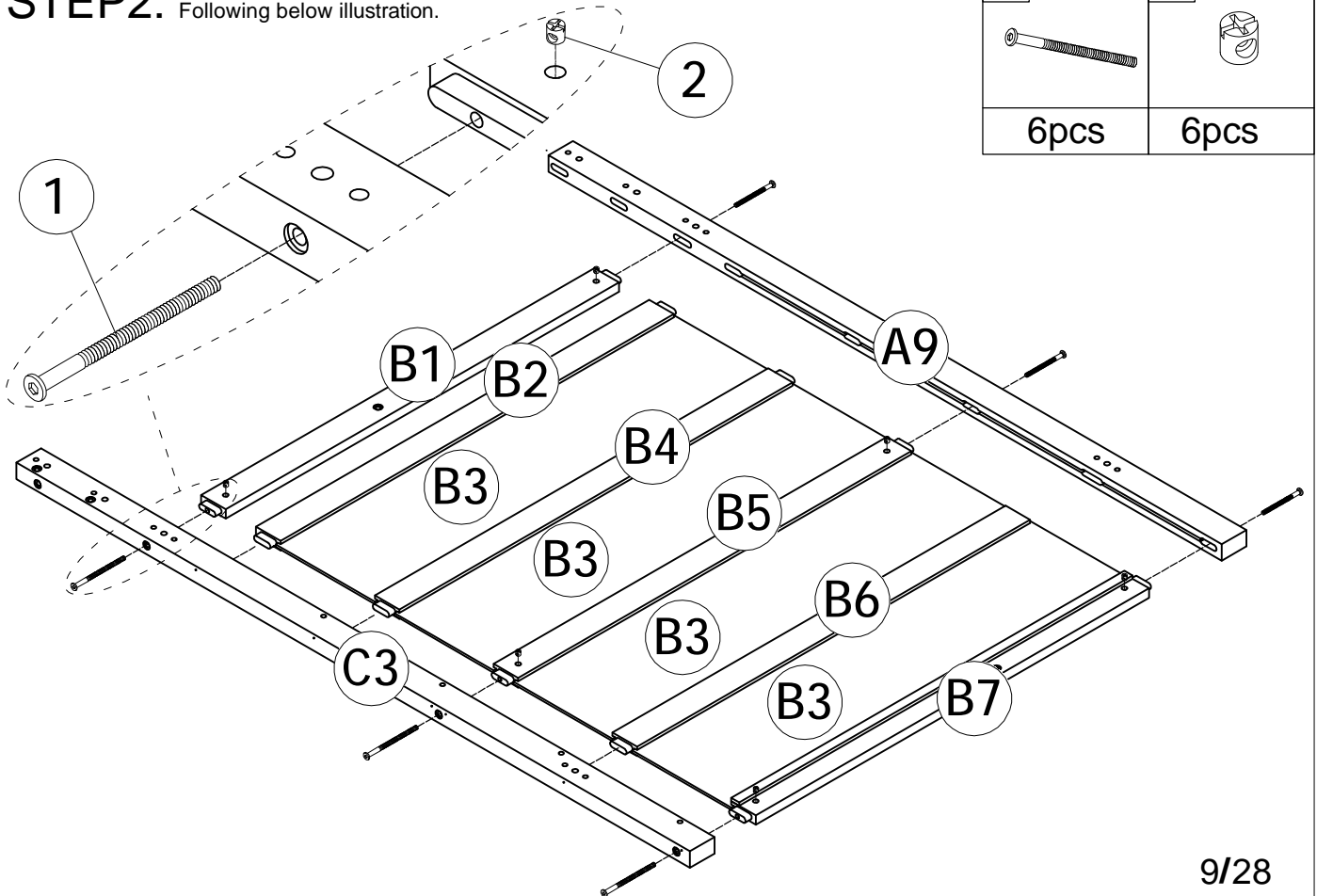
Assembly Tools Required (Not Included)



STEP1: Following below illustration.





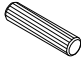
1	2
	
8pcs	8pcs

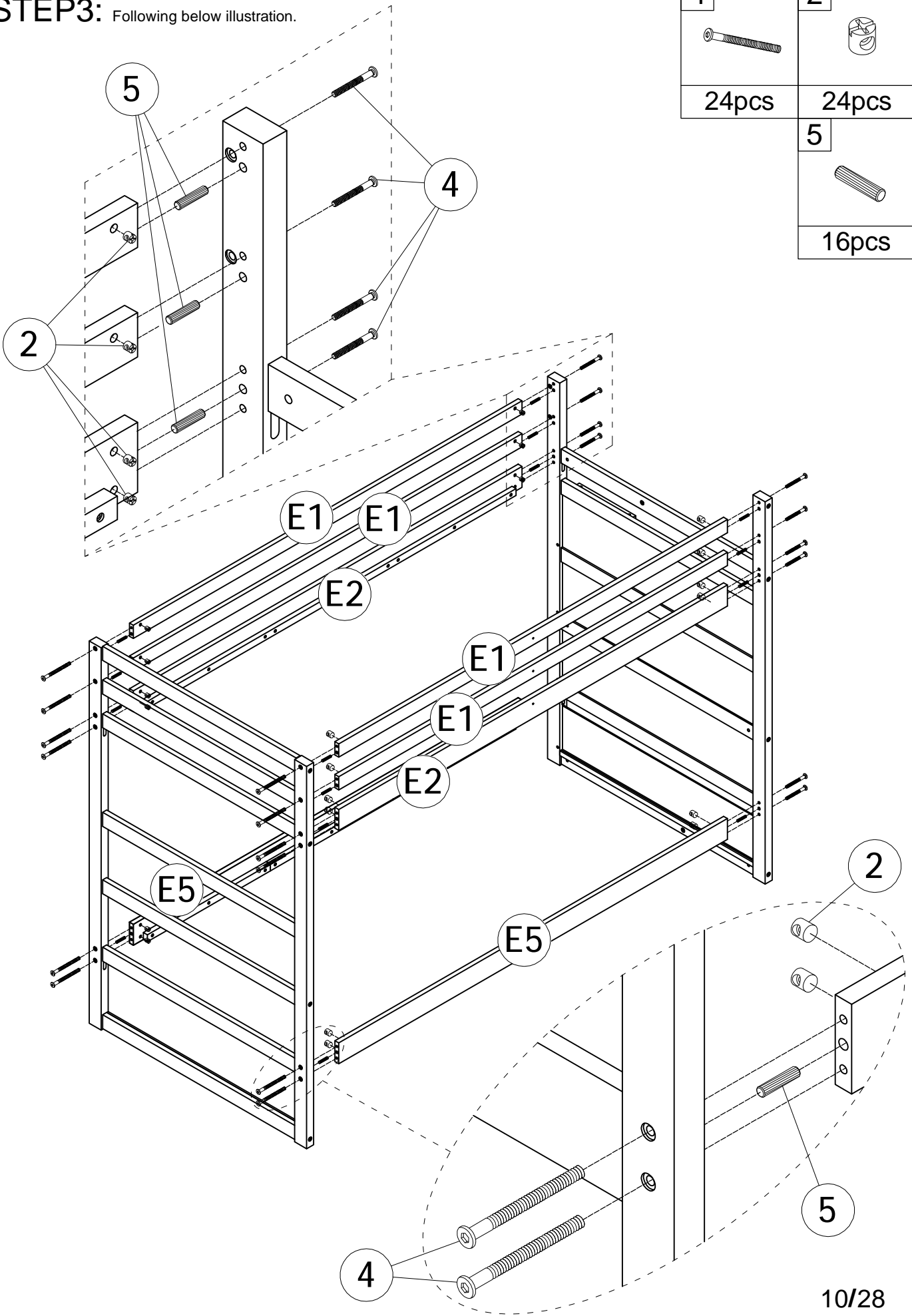
STEP2: Following below illustration.



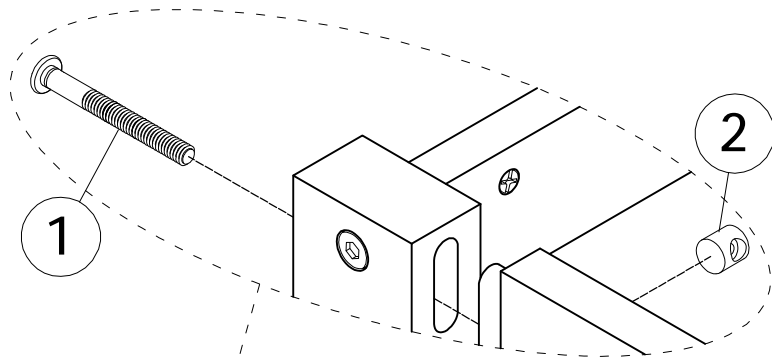
1	2
	
6pcs	6pcs





STEP3: Following below illustration.

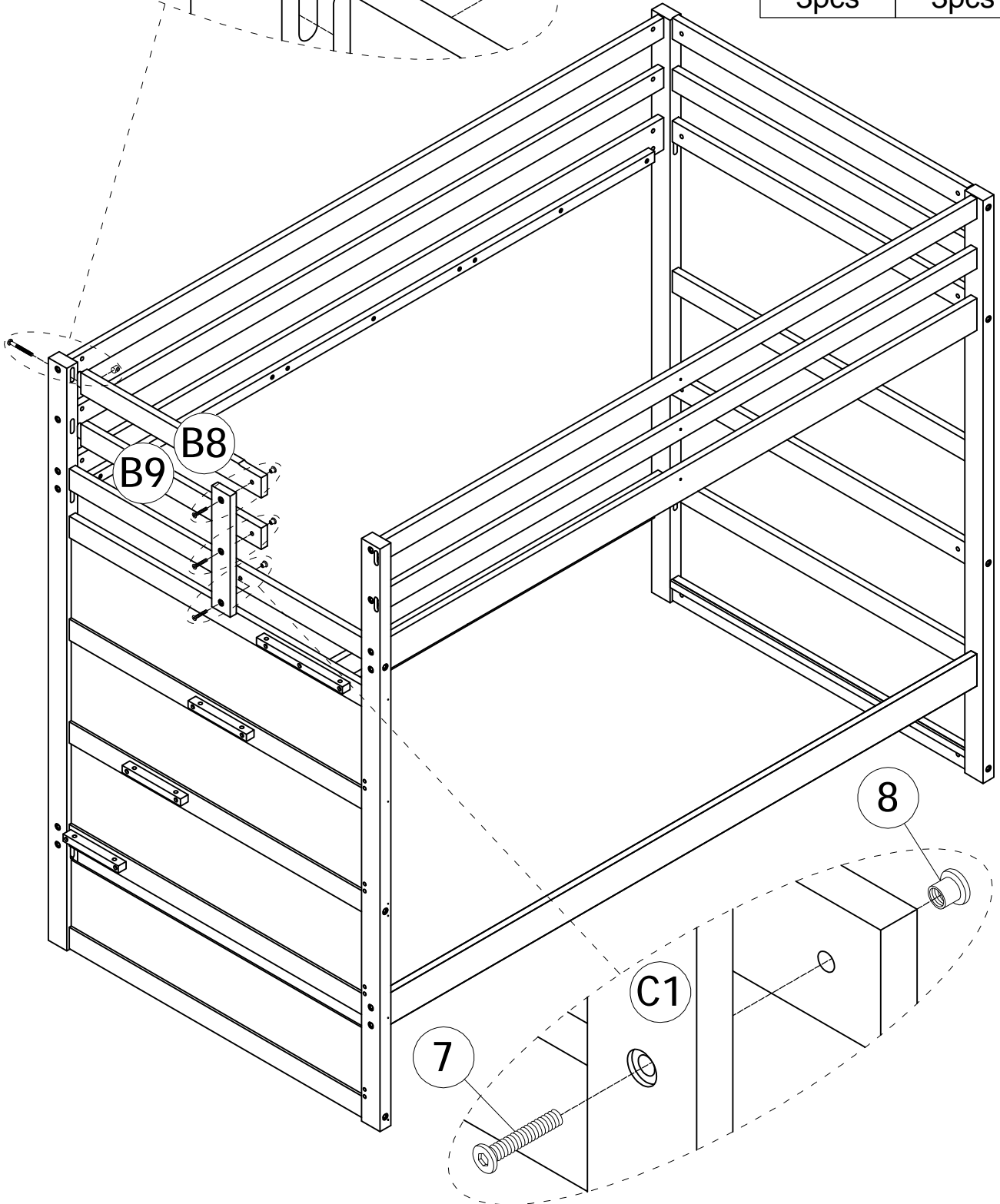
<p>4</p> 	<p>2</p> 
<p>24pcs</p>	<p>24pcs</p>
<p>5</p> 	
<p>16pcs</p>	





STEP4: Following below illustration.

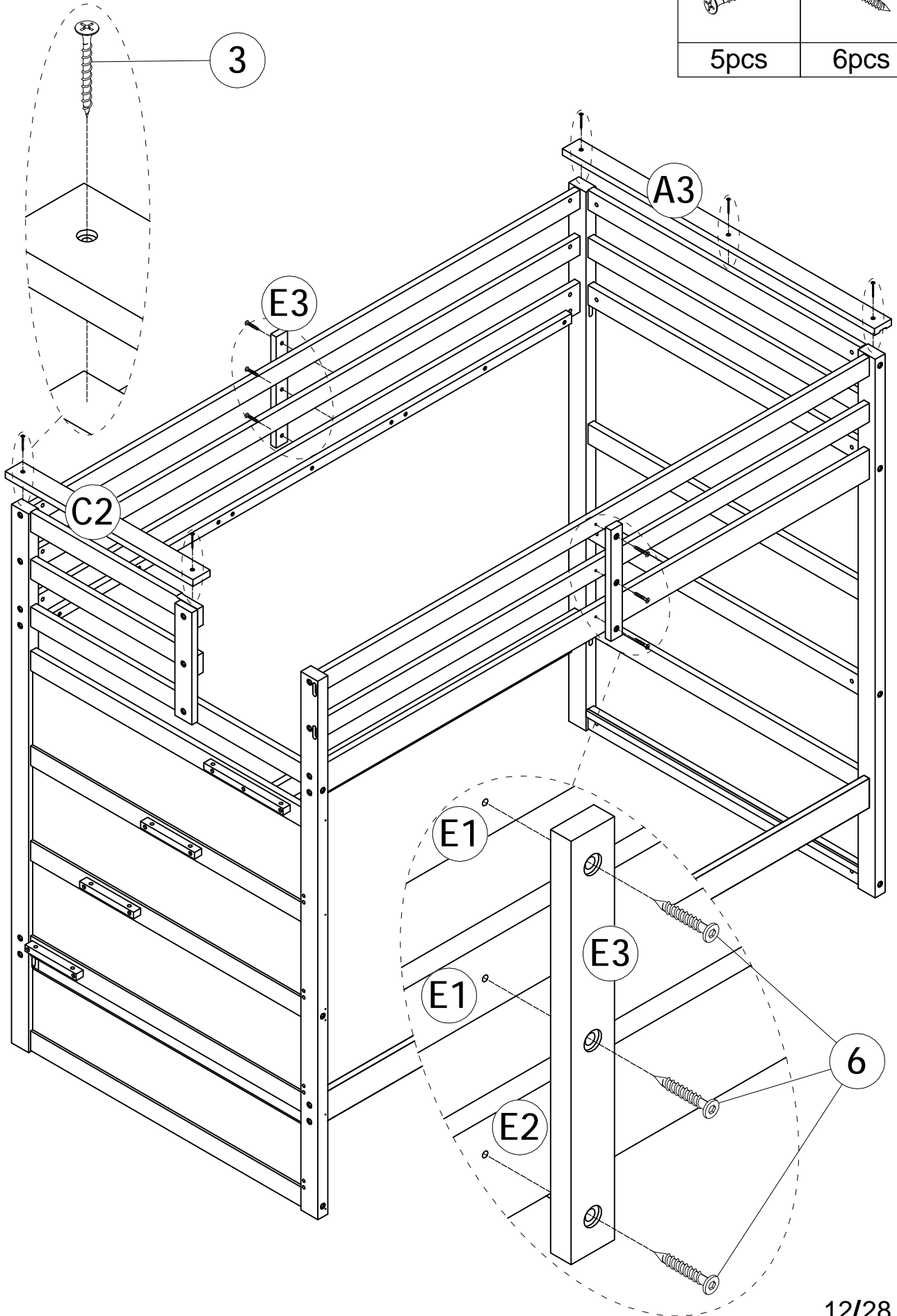


1	2
	
1pc	1pc
7	8
	
3pcs	3pcs





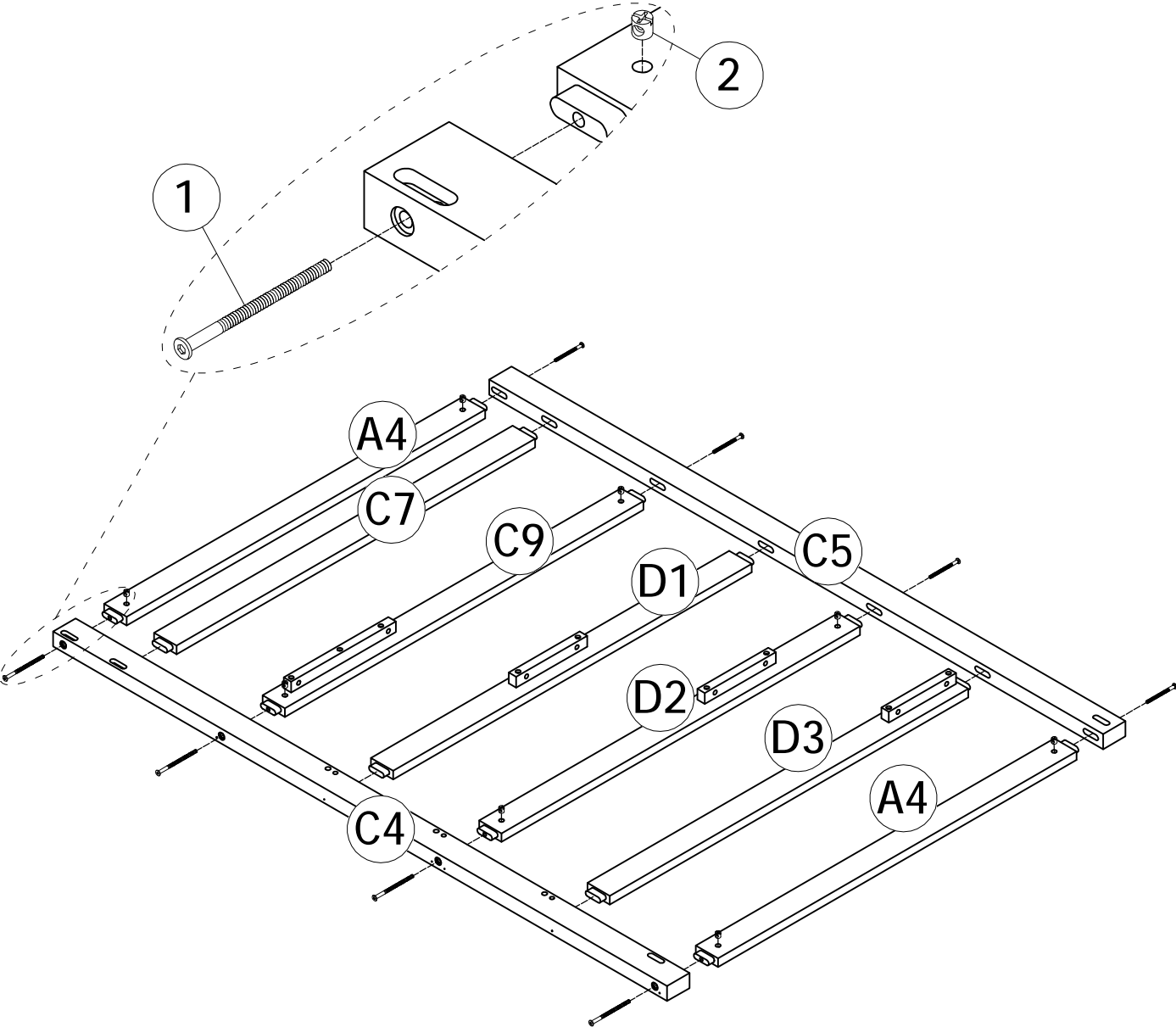
STEP5: Following below illustration.

3	6
	
5pcs	6pcs

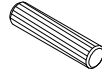




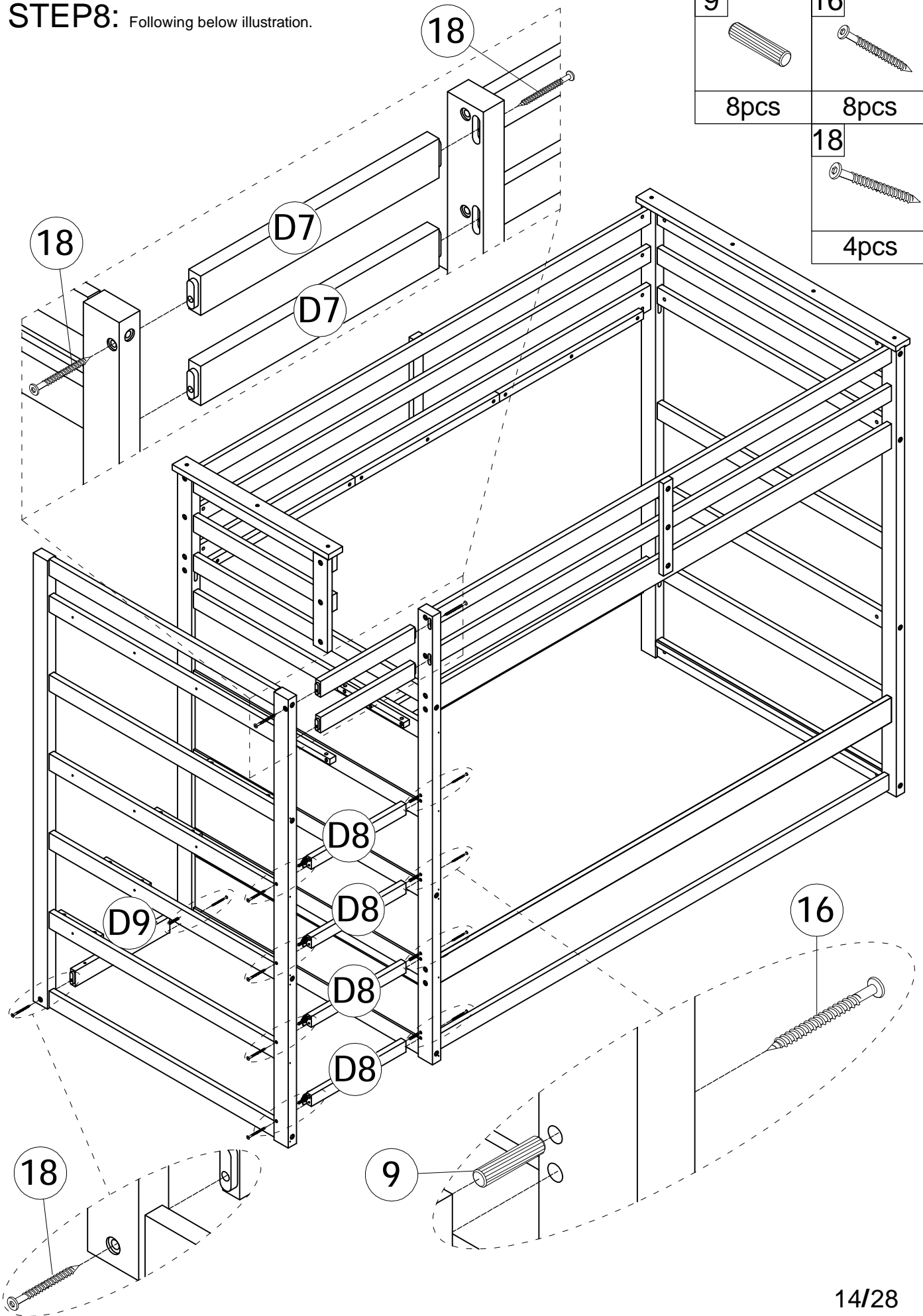
STEP6: Following below illustration.

1	2
	
8pcs	8pcs





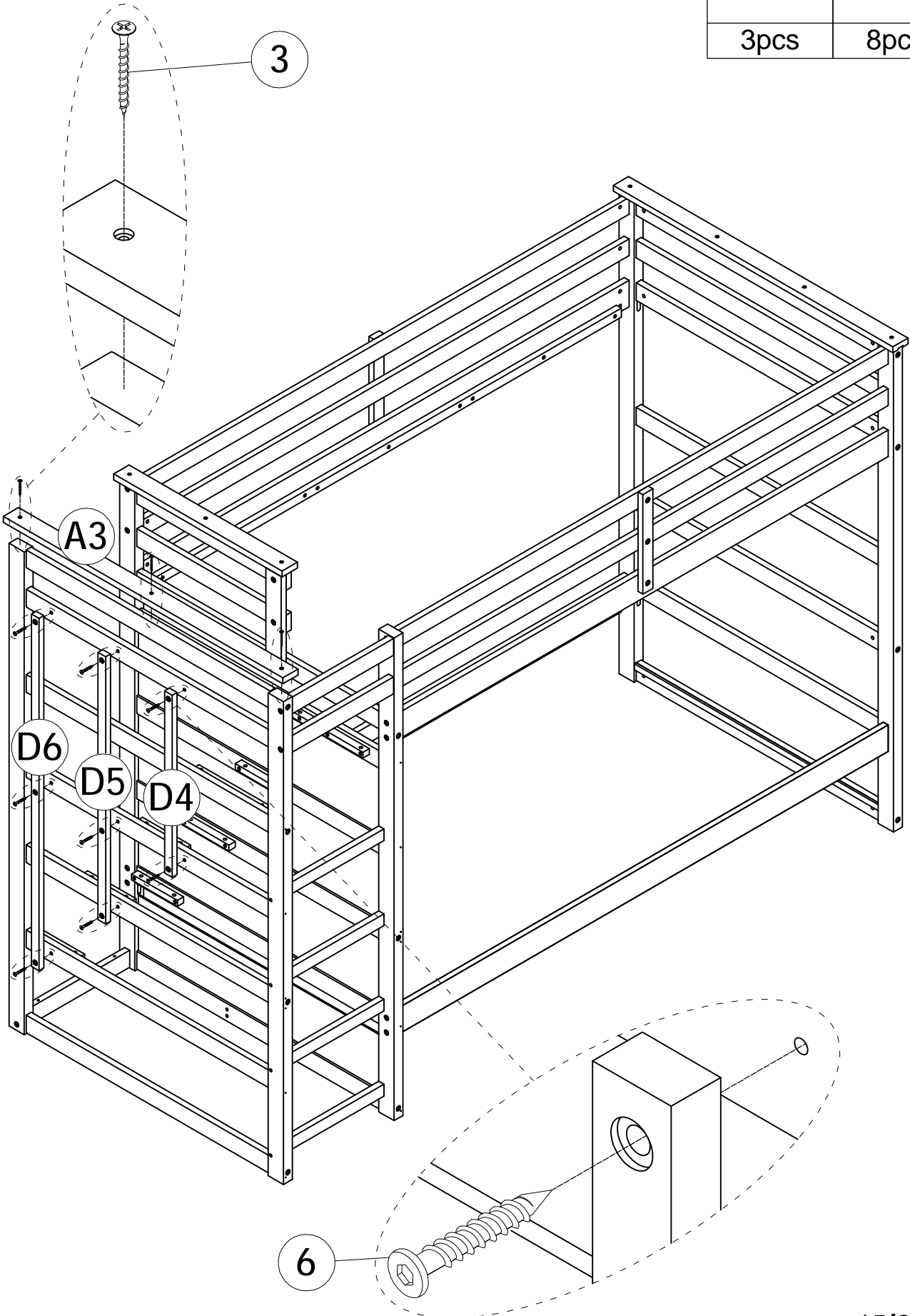
STEP8: Following below illustration.

9		16	
8pcs		8pcs	
		18	
		4pcs	

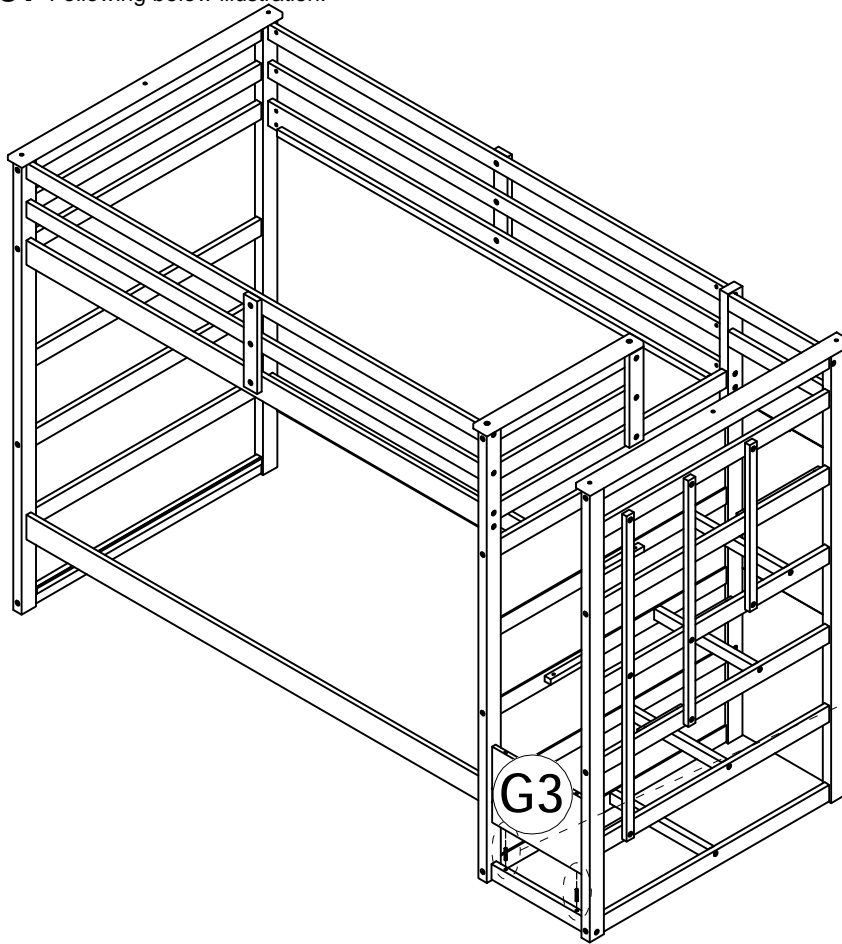


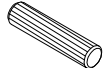
STEP9: Following below illustration.

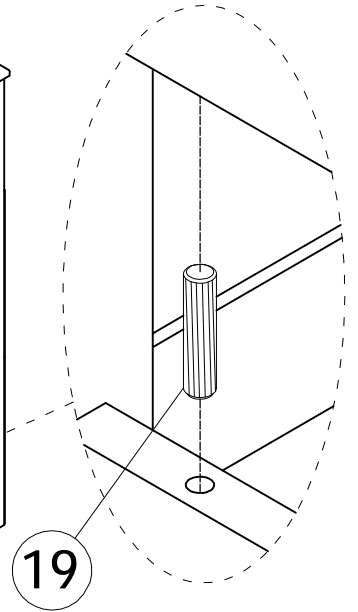
3	6
	
3pcs	8pcs



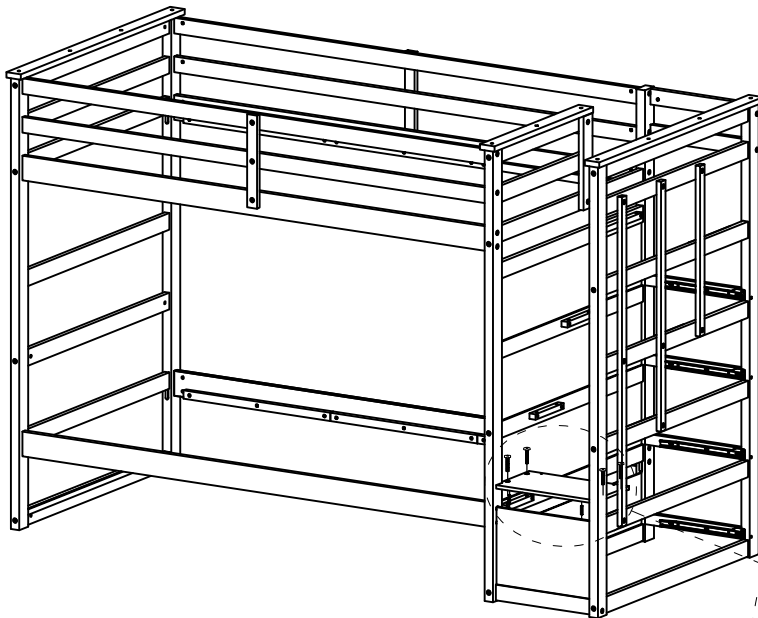
STEP10: Following below illustration.


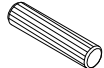


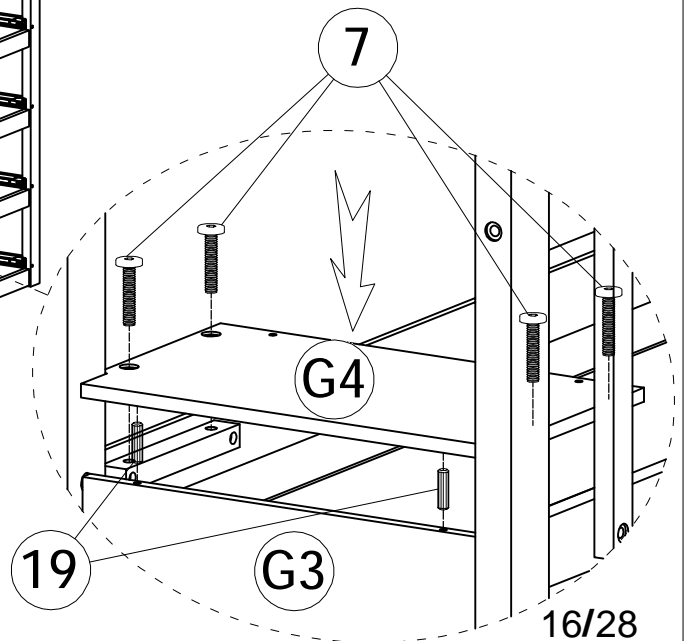
19

2pcs



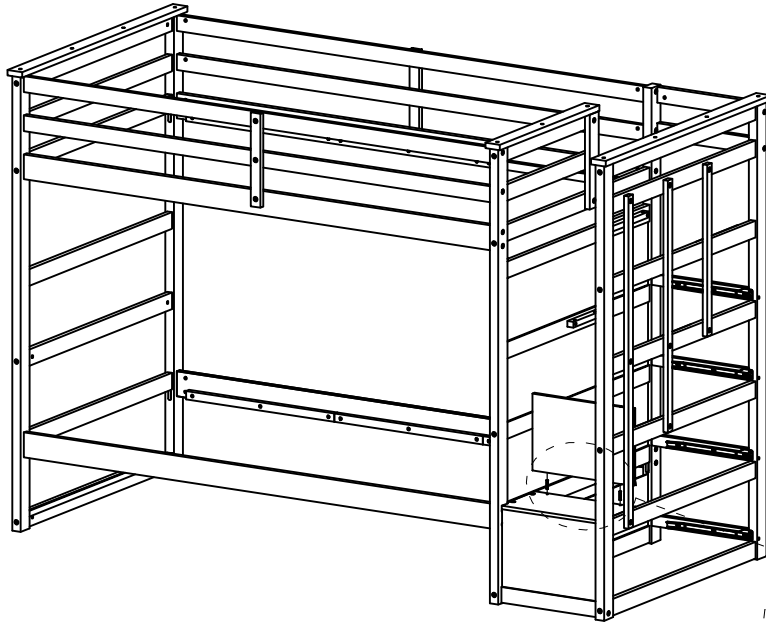
STEP11: Following below illustration.

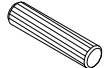


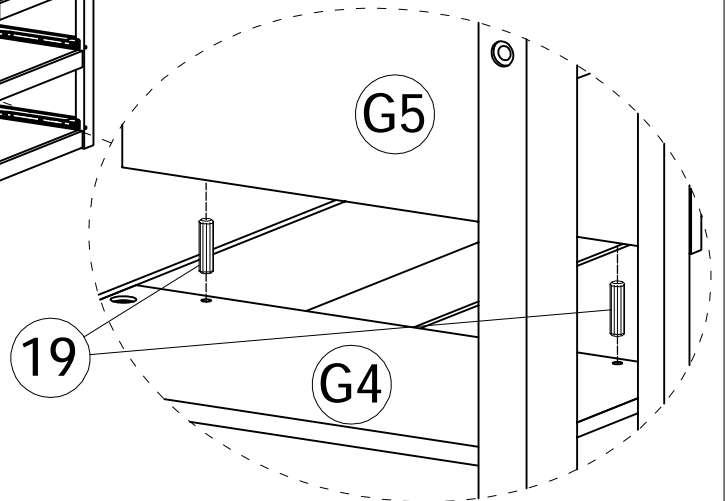
7	19
	
4pcs	2pcs



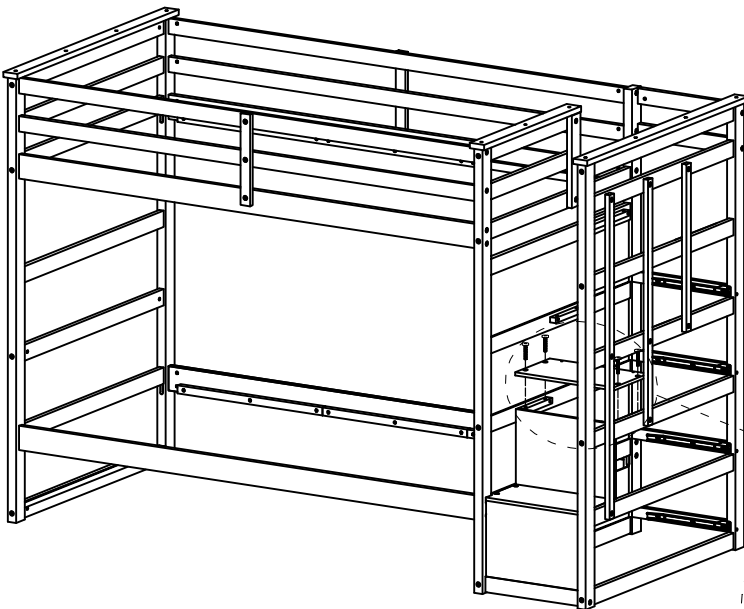
STEP12: Following below illustration.


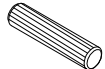


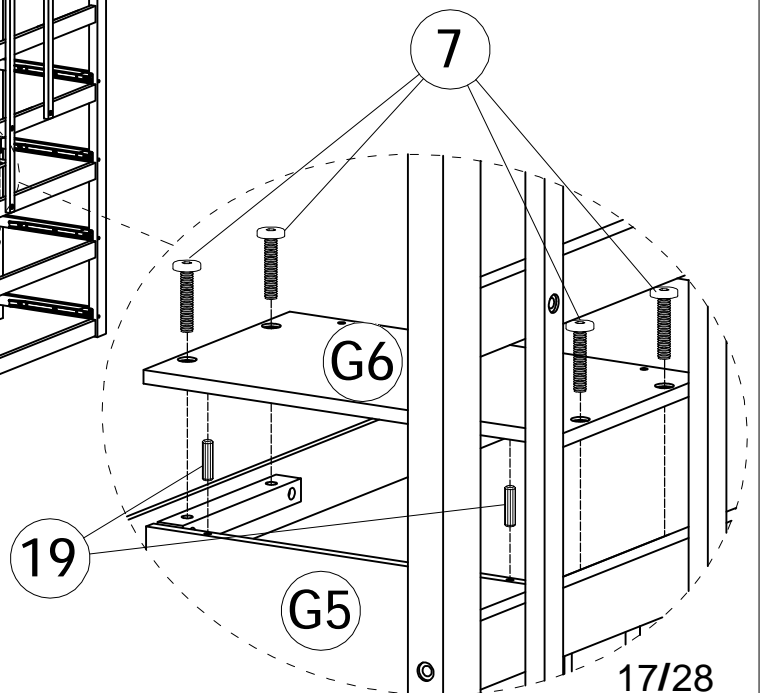
19

2pcs



STEP13: Following below illustration.

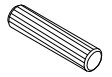


7	19
	
4pcs	2pcs

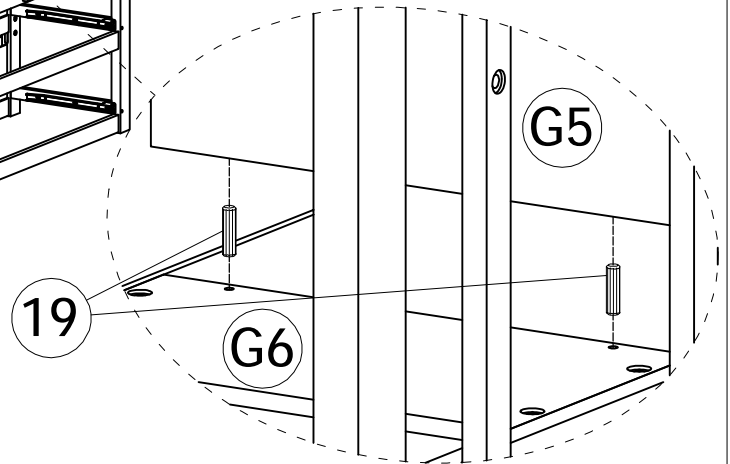
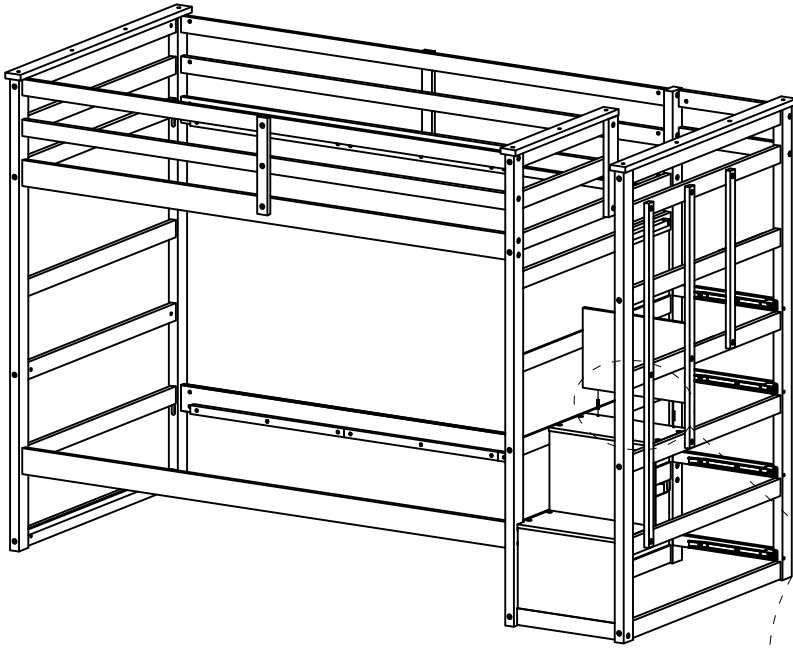


STEP14: Following below illustration.

19



2pcs



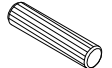
STEP15: Following below illustration.

7

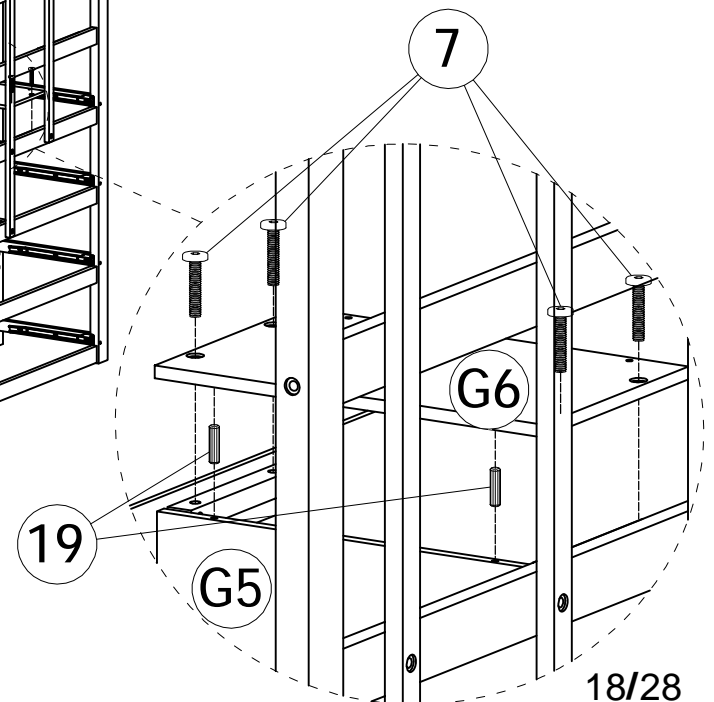
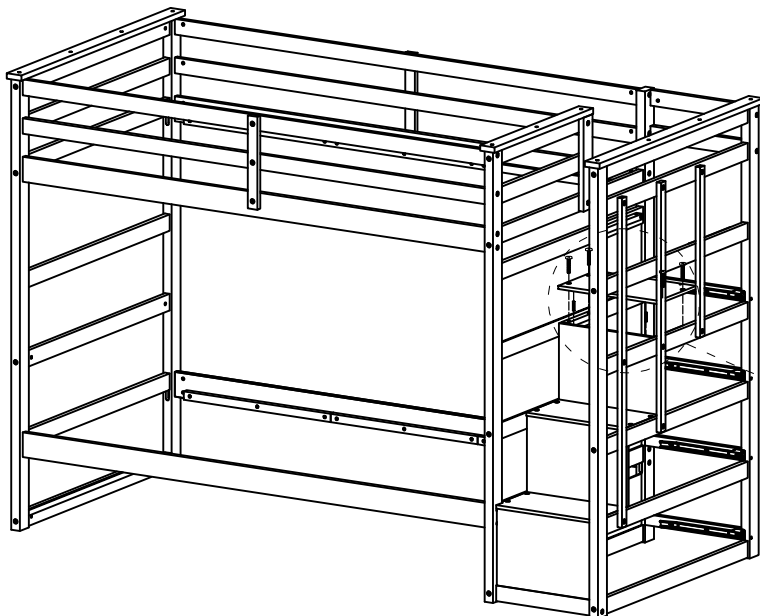


4pcs

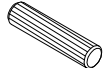
19

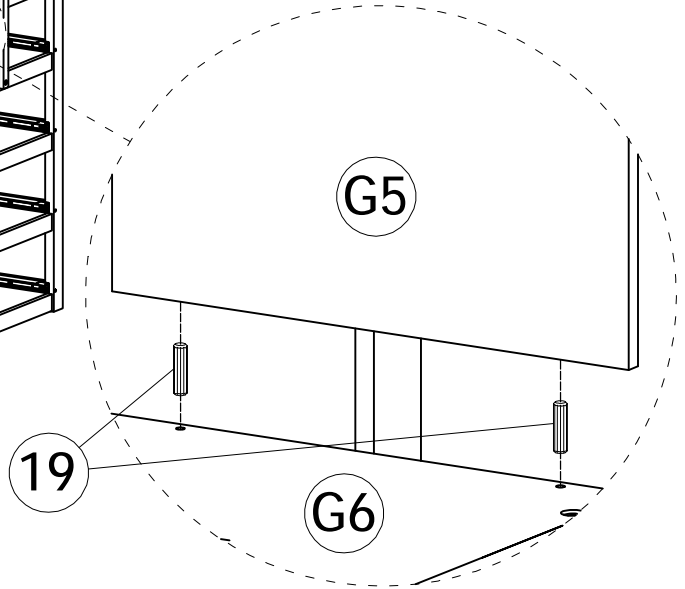
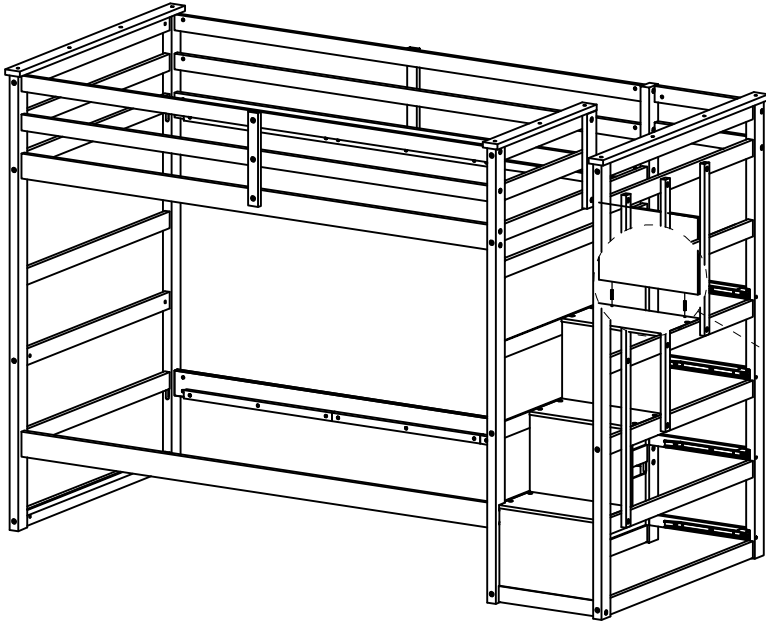


2pcs


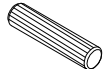


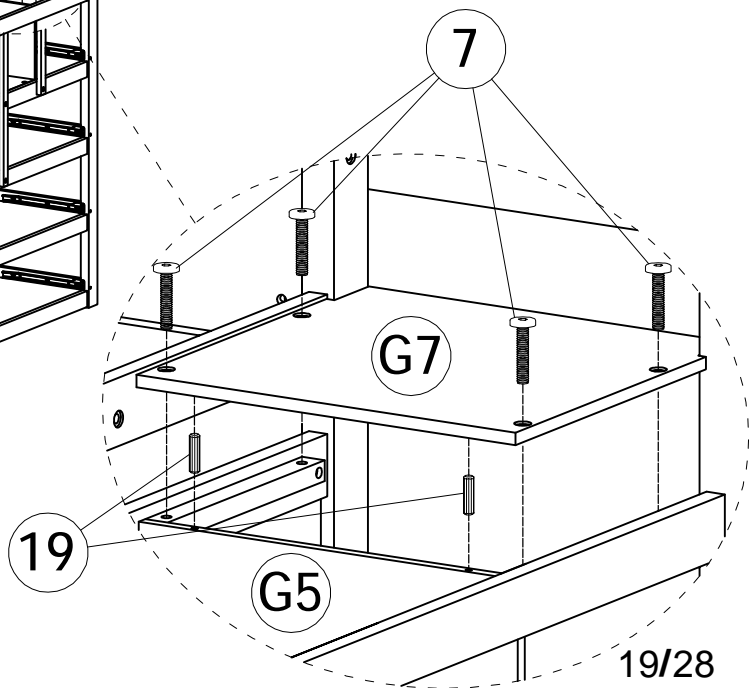
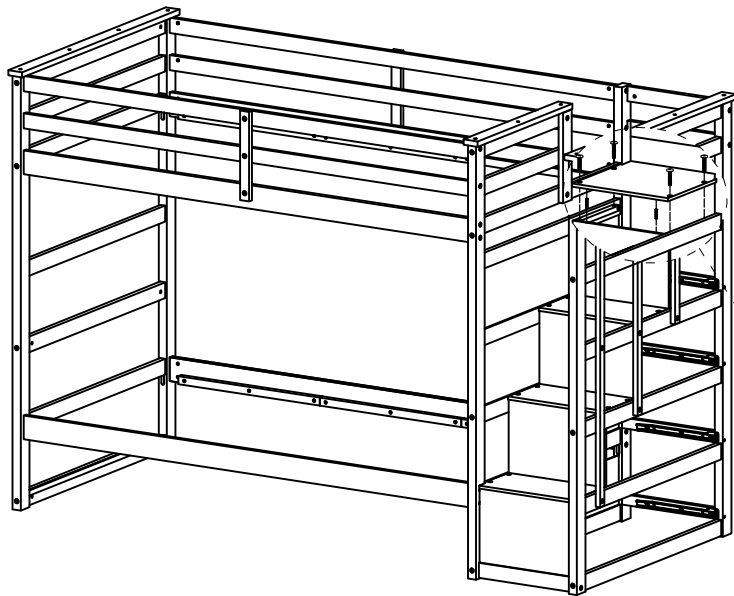
STEP16: Following below illustration.

19

2pcs

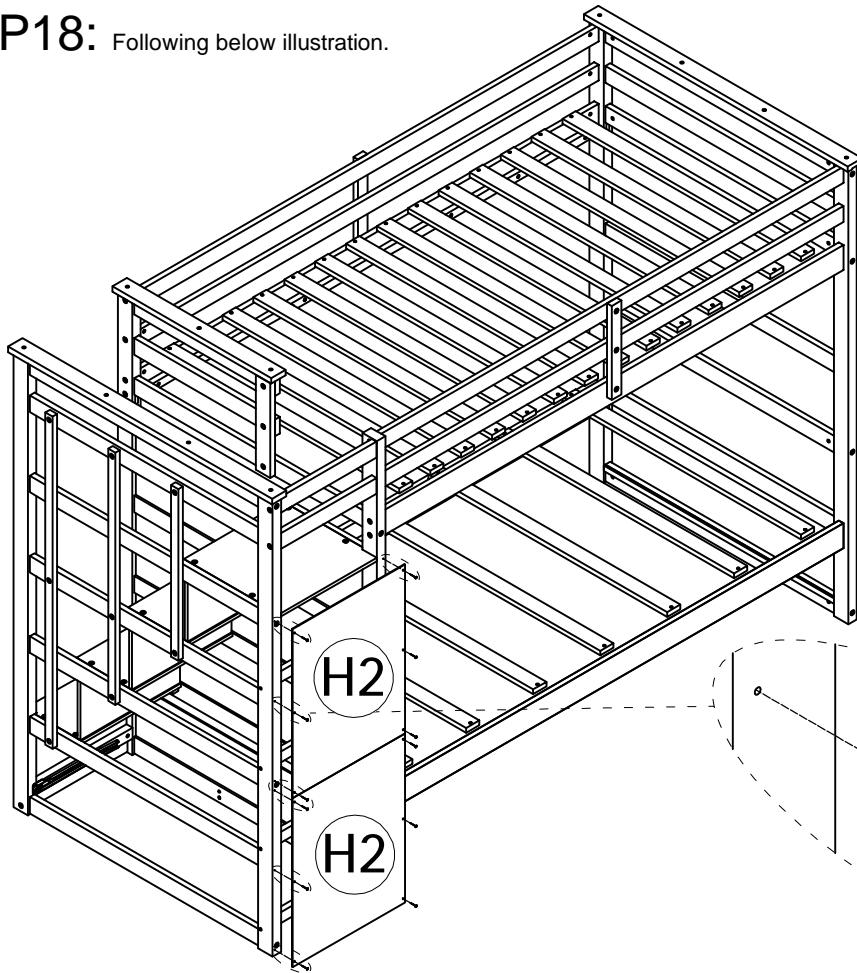


STEP17: Following below illustration.

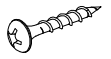
7	19
	
4pcs	2pcs



STEP18: Following below illustration.

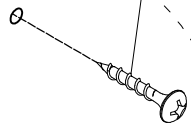


10

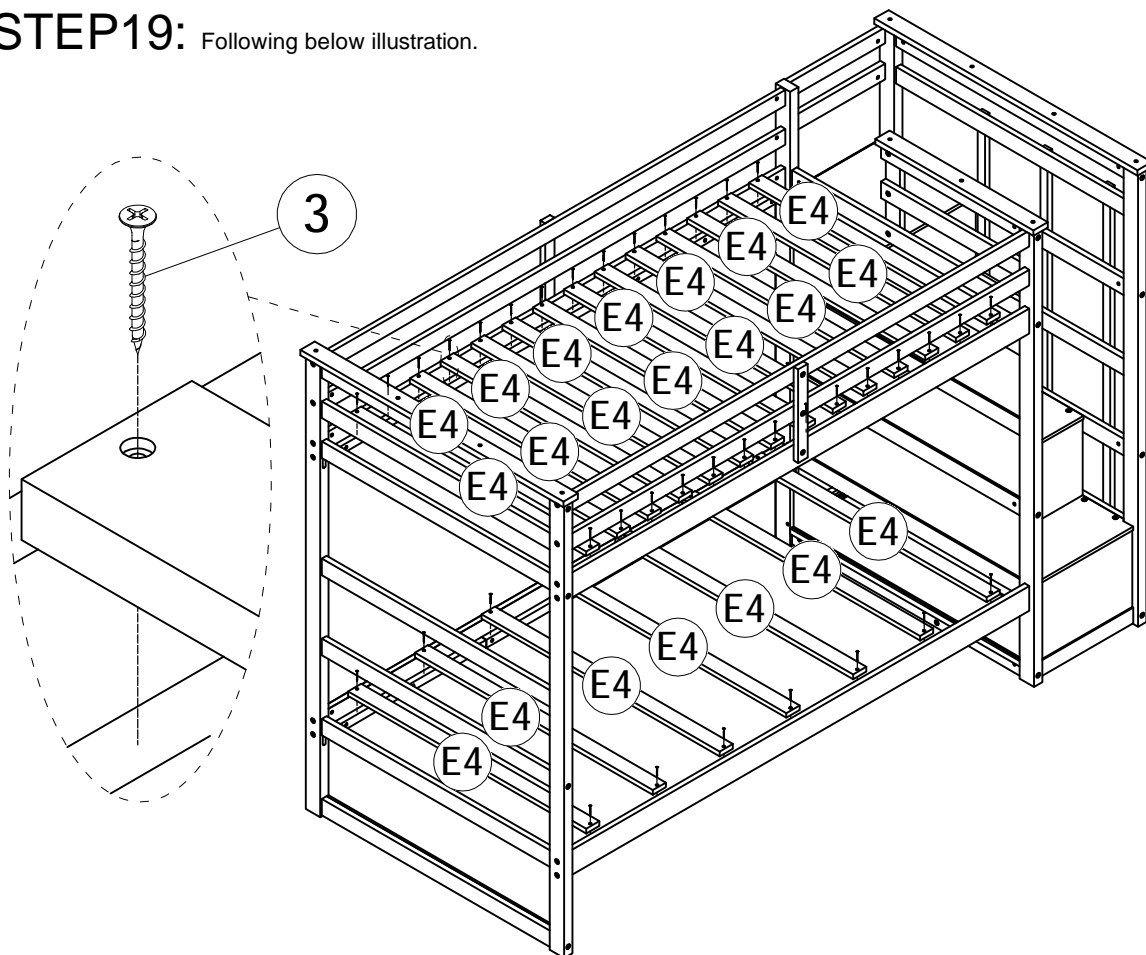


12pcs

10



STEP19: Following below illustration.



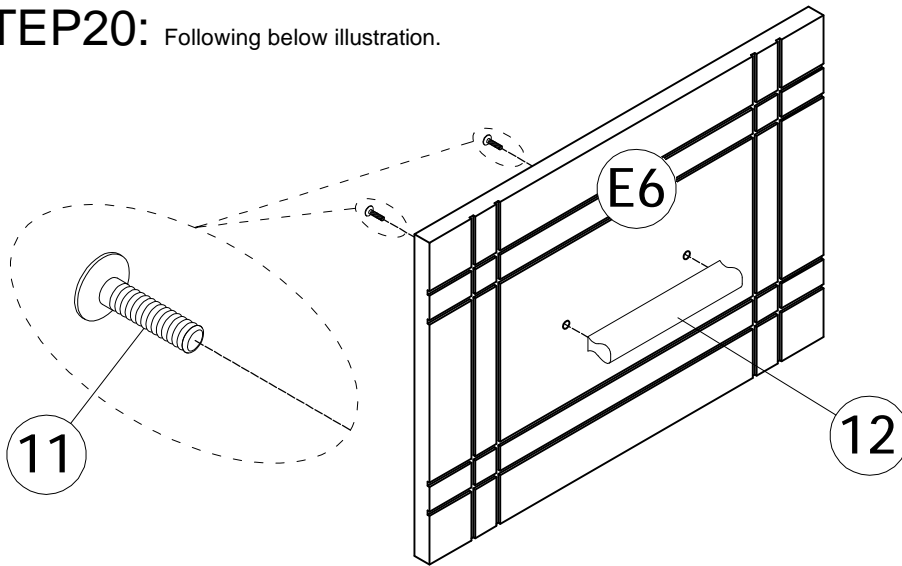
3

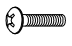
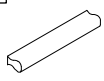


42pcs

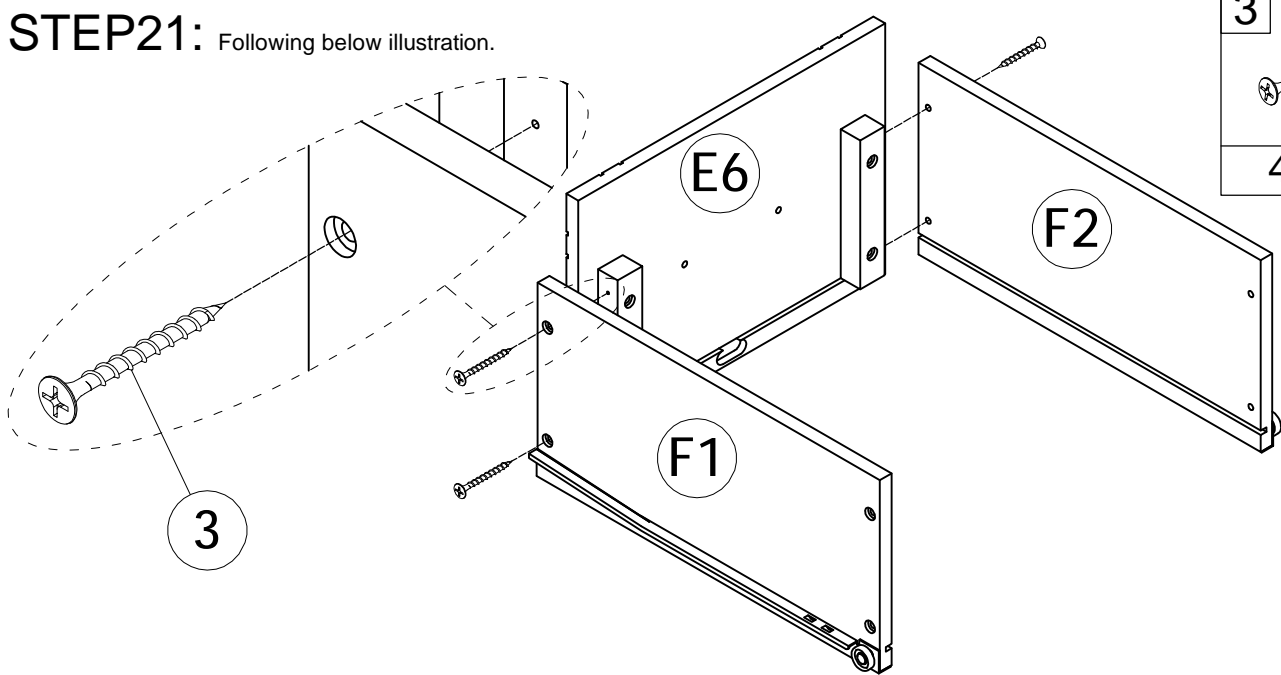
3


STEP20: Following below illustration.



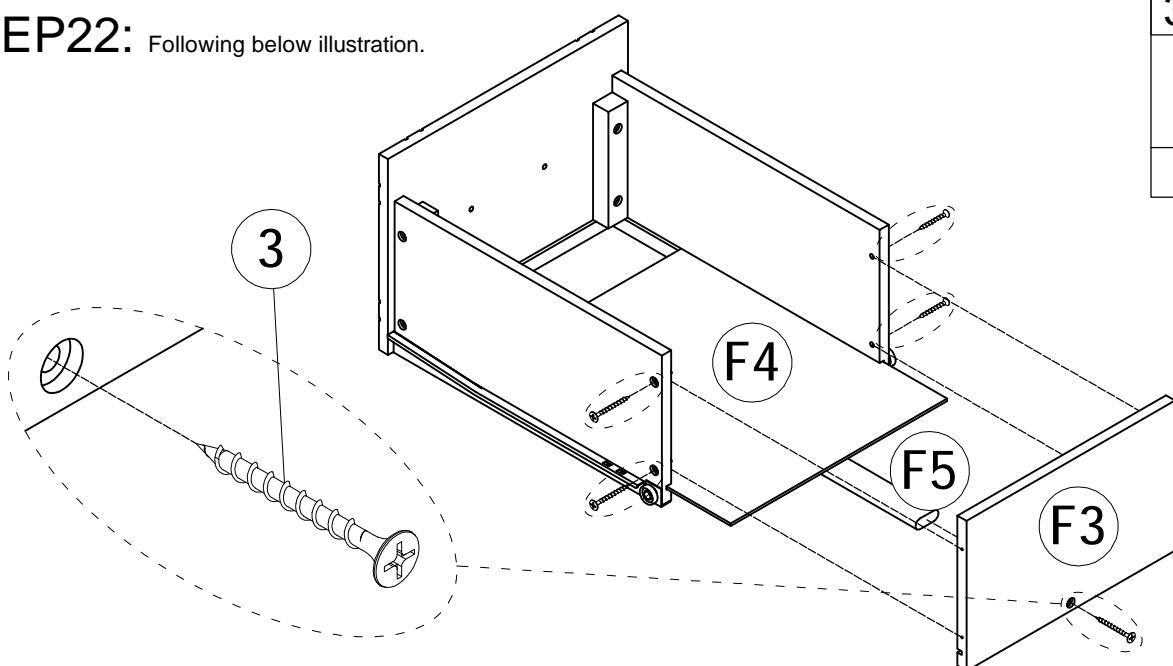
11	
2pcs	
12	
1pc	


STEP21: Following below illustration.



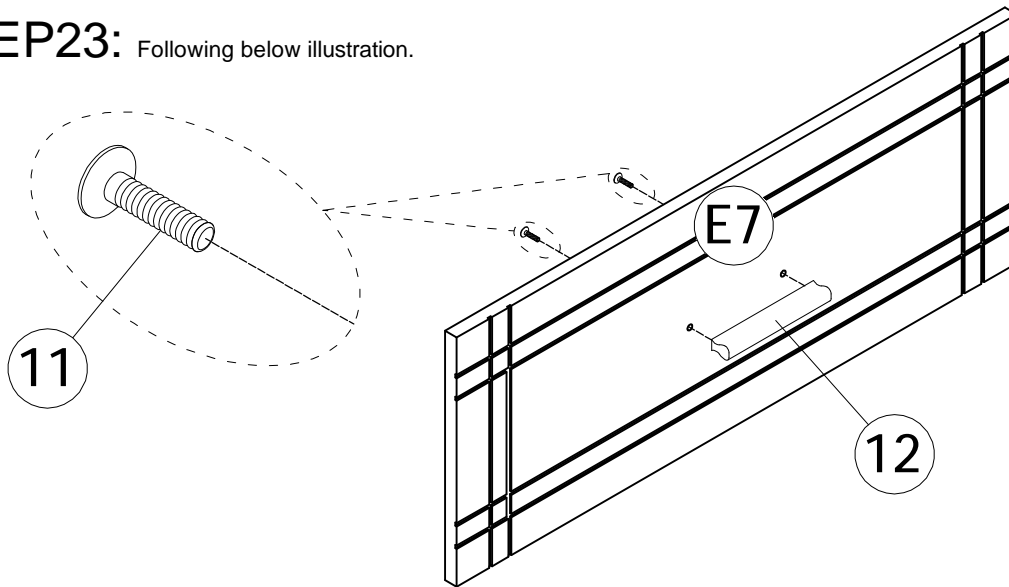
3	
4pcs	

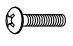
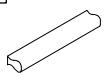
STEP22: Following below illustration.



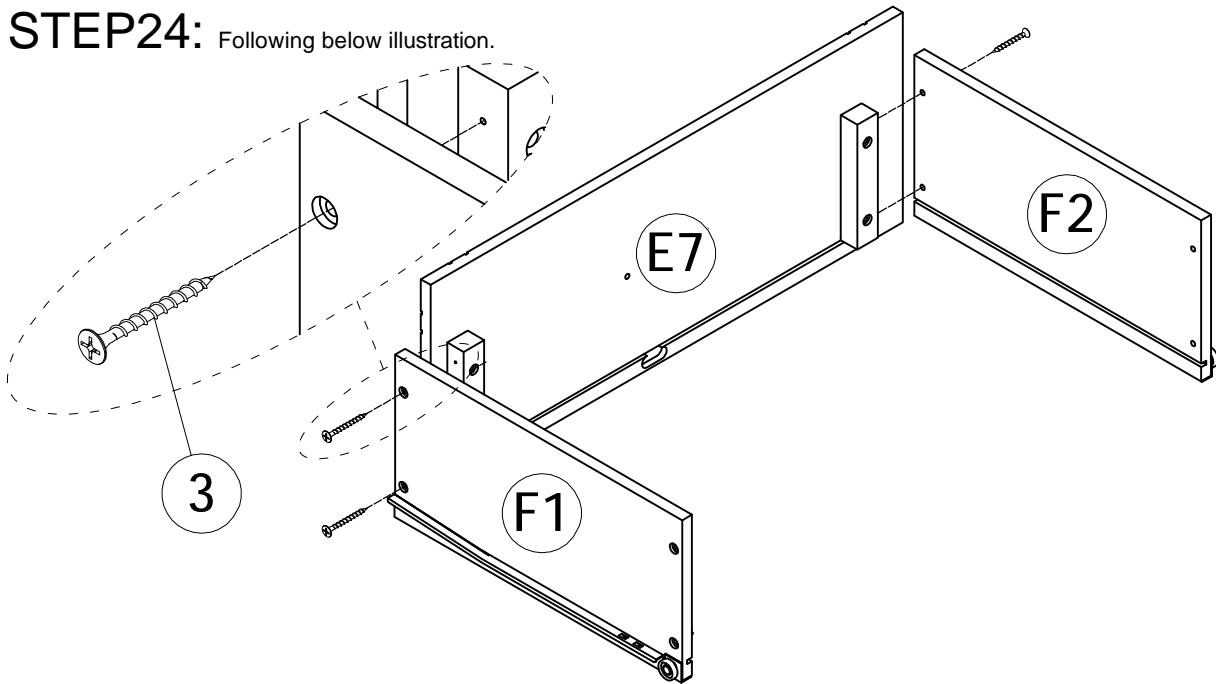
3	
5pcs	

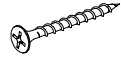
STEP23: Following below illustration.



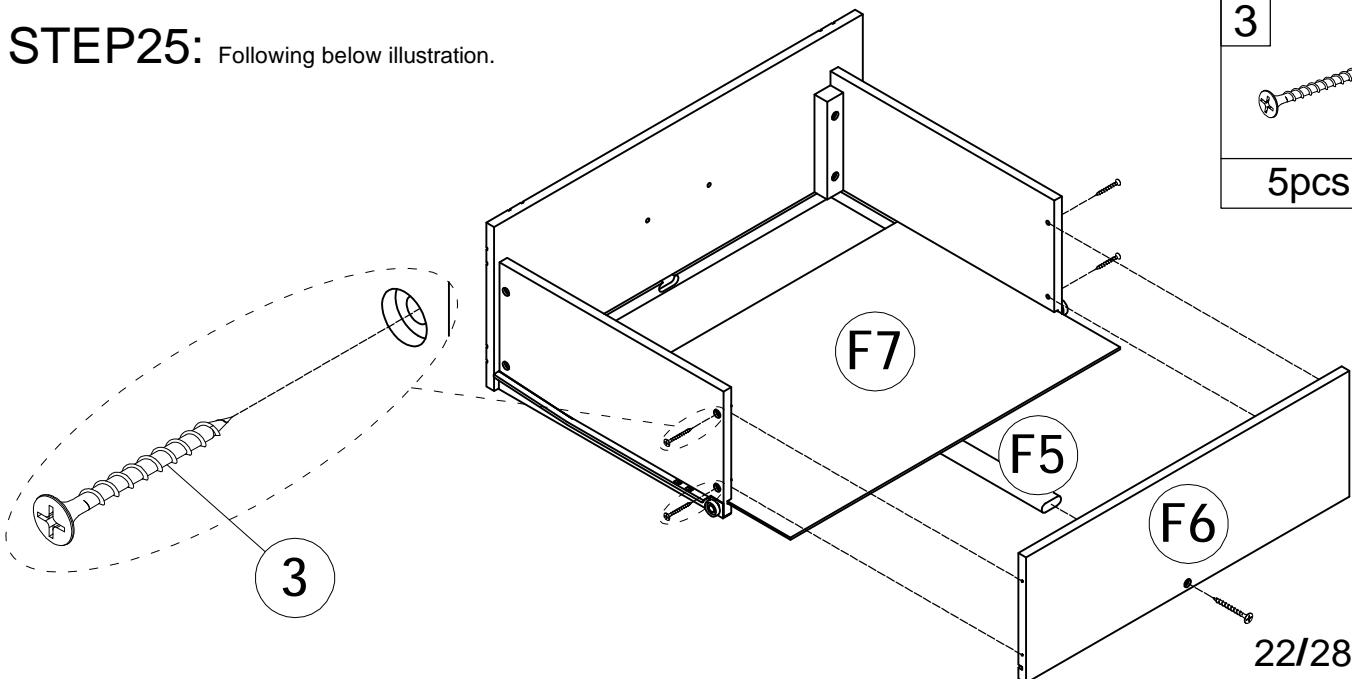
11

2pcs
12

1pc

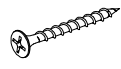
STEP24: Following below illustration.



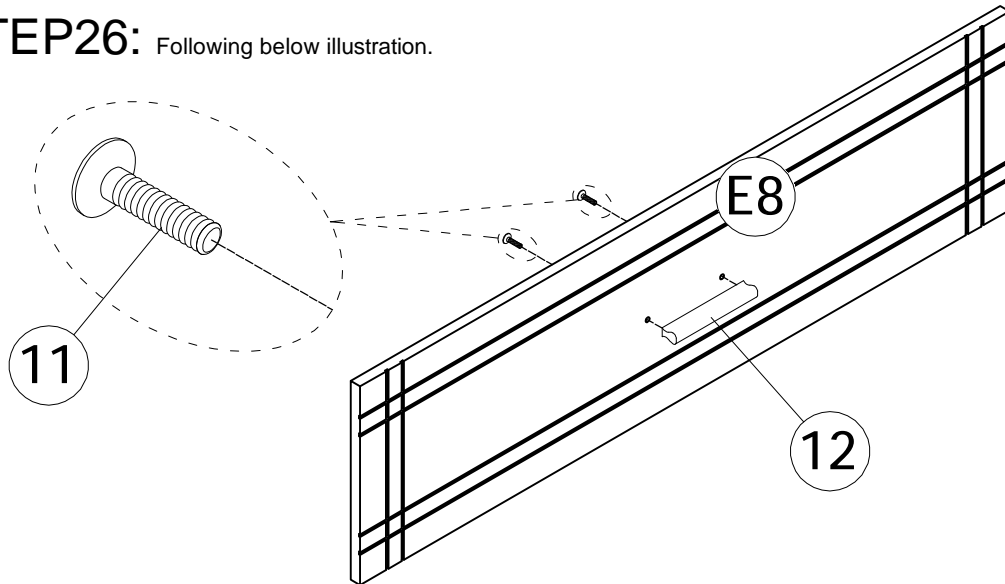
3

4pcs

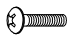
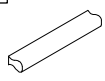
STEP25: Following below illustration.



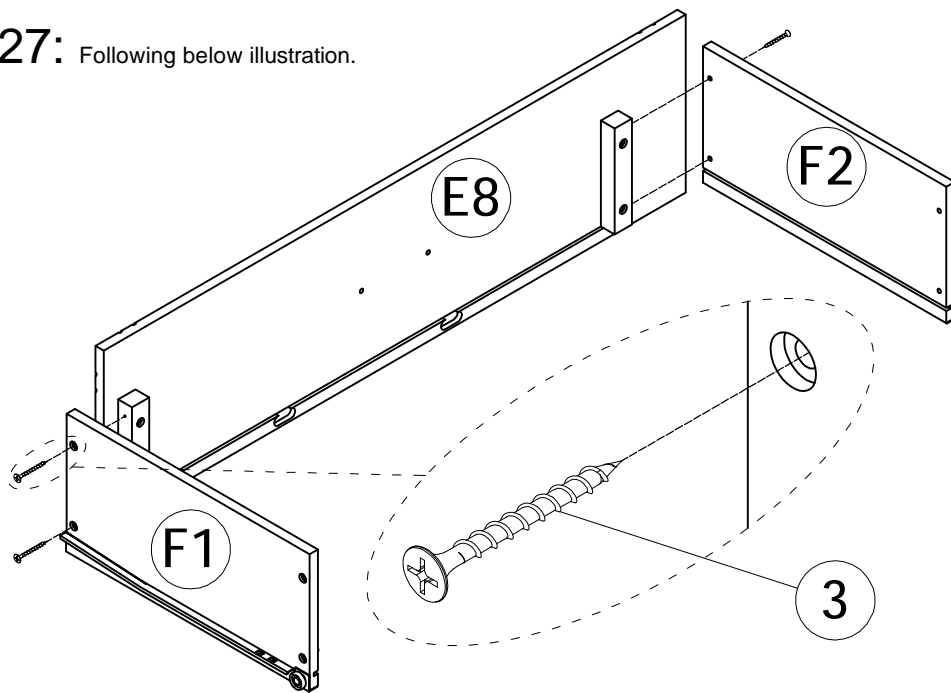
3

5pcs


STEP26: Following below illustration.



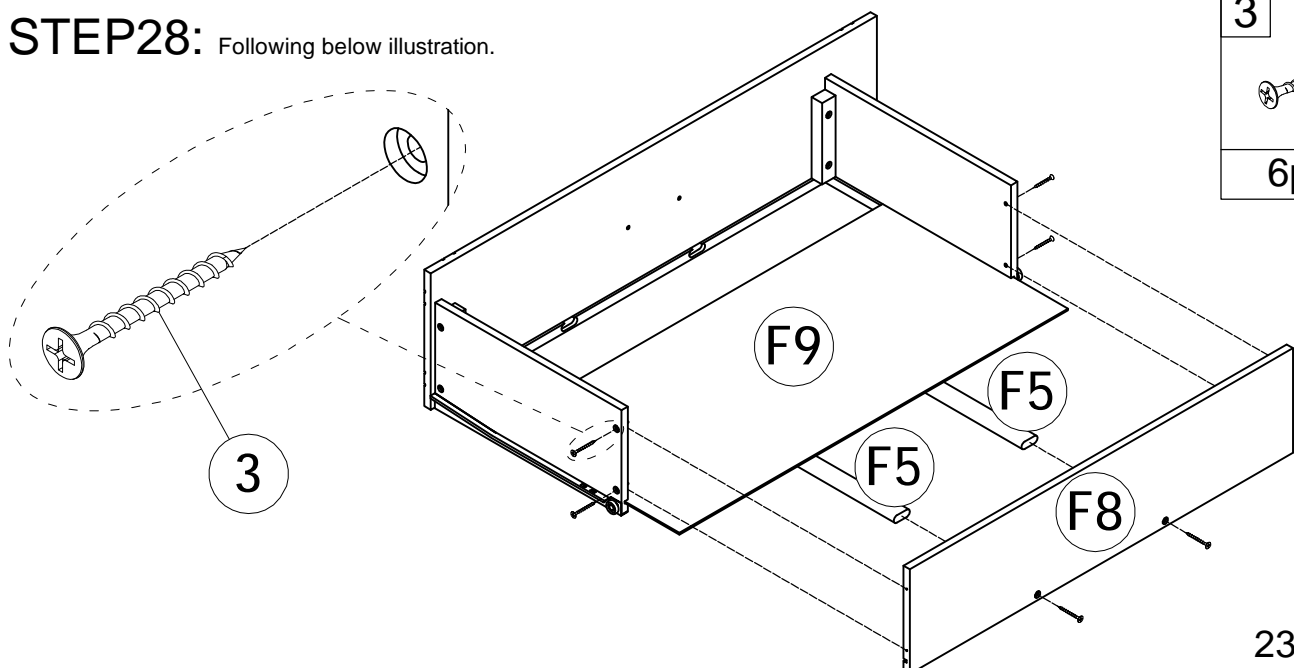
11

2pcs
12

1pc


STEP27: Following below illustration.



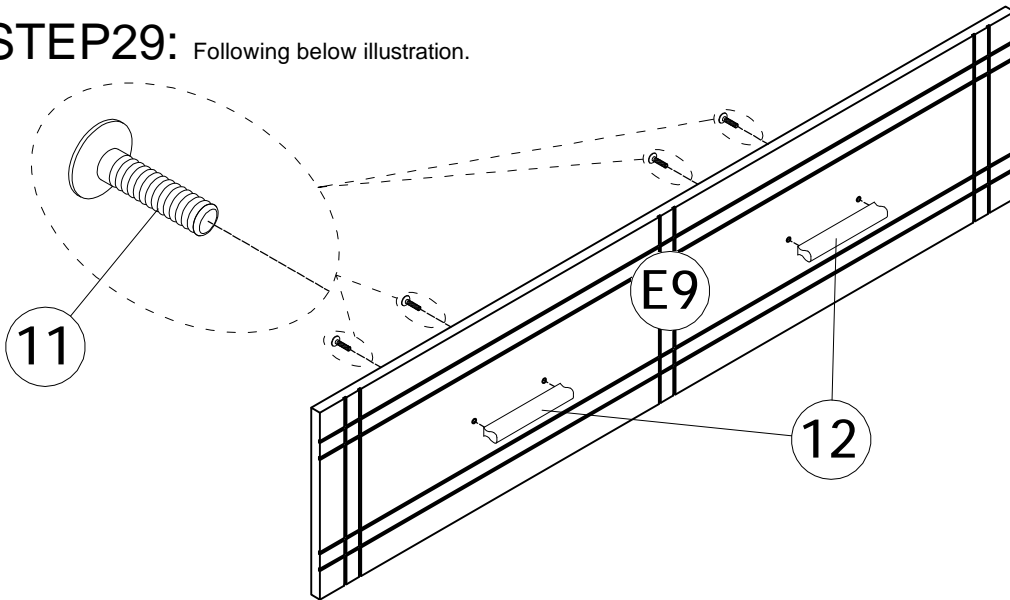
3

4pcs

STEP28: Following below illustration.



3

6pcs

STEP29: Following below illustration.

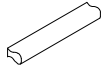


11



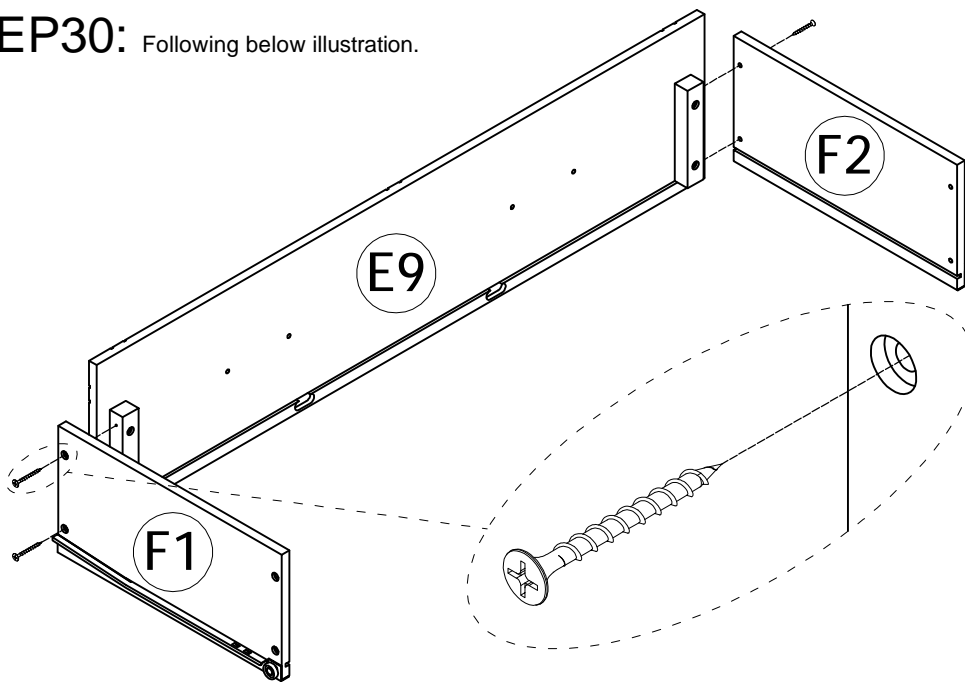
4pcs

12



2pc

STEP30: Following below illustration.

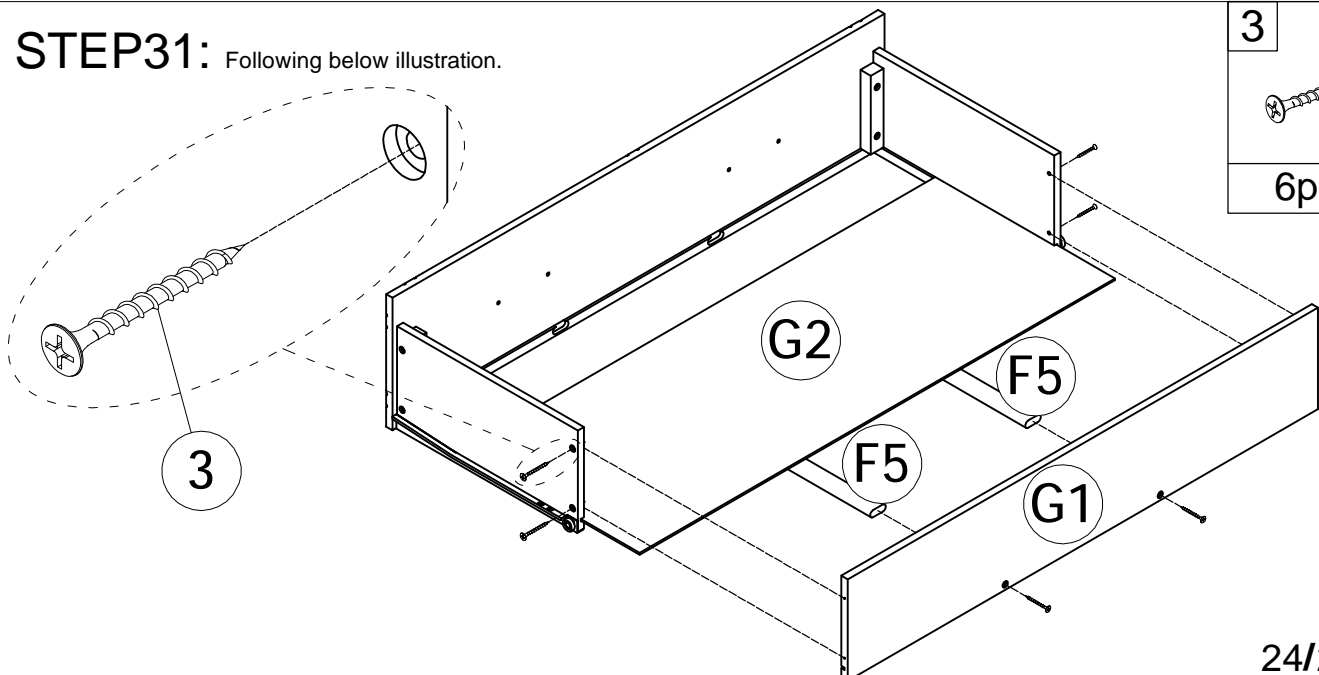


3



4pcs

STEP31: Following below illustration.

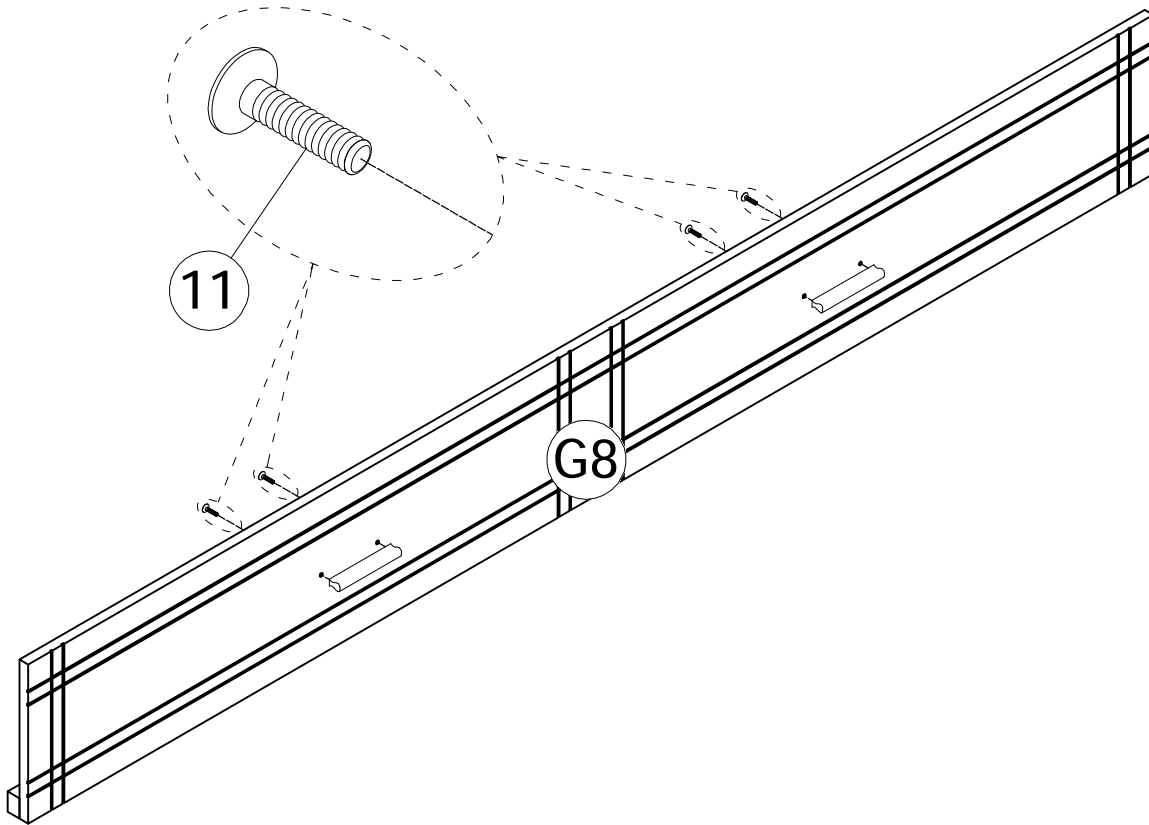


3



6pcs

STEP32: Following below illustration.

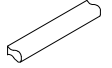


11



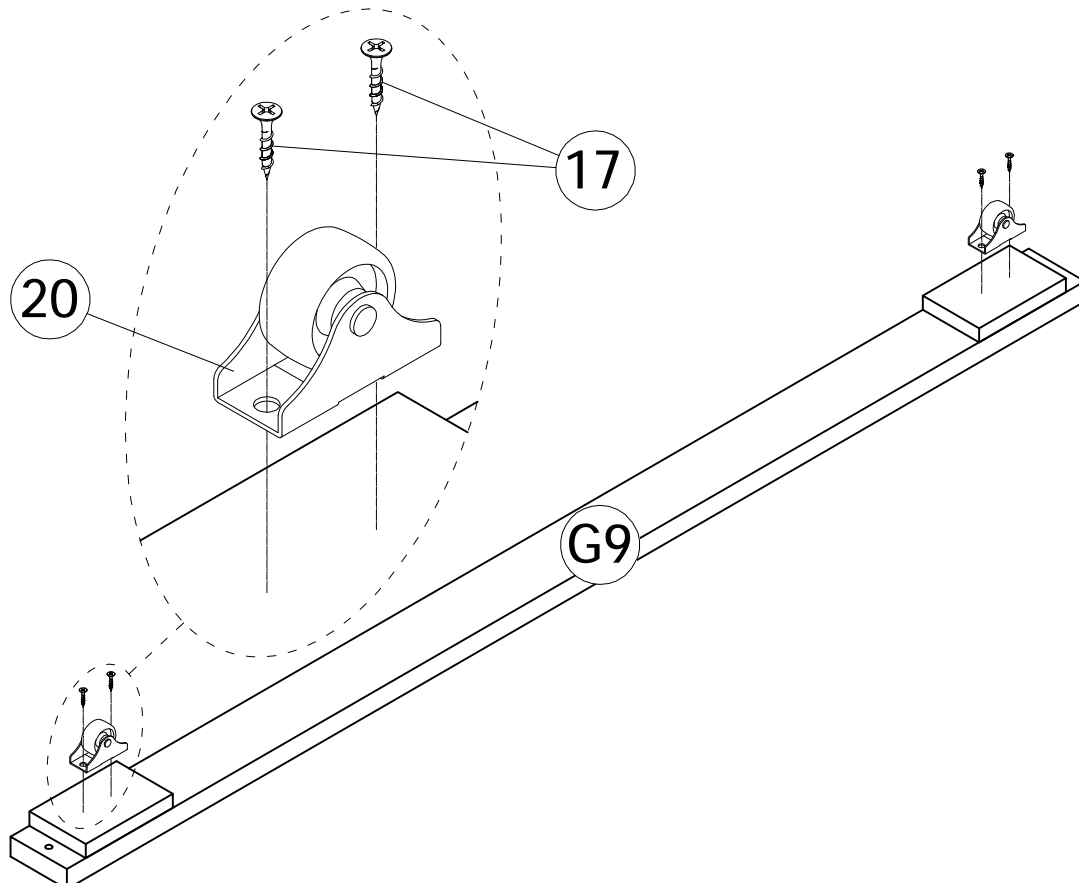
4pcs

12



2pc

STEP33:x2 Following below illustration.

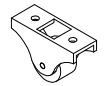


17



8pcs

20



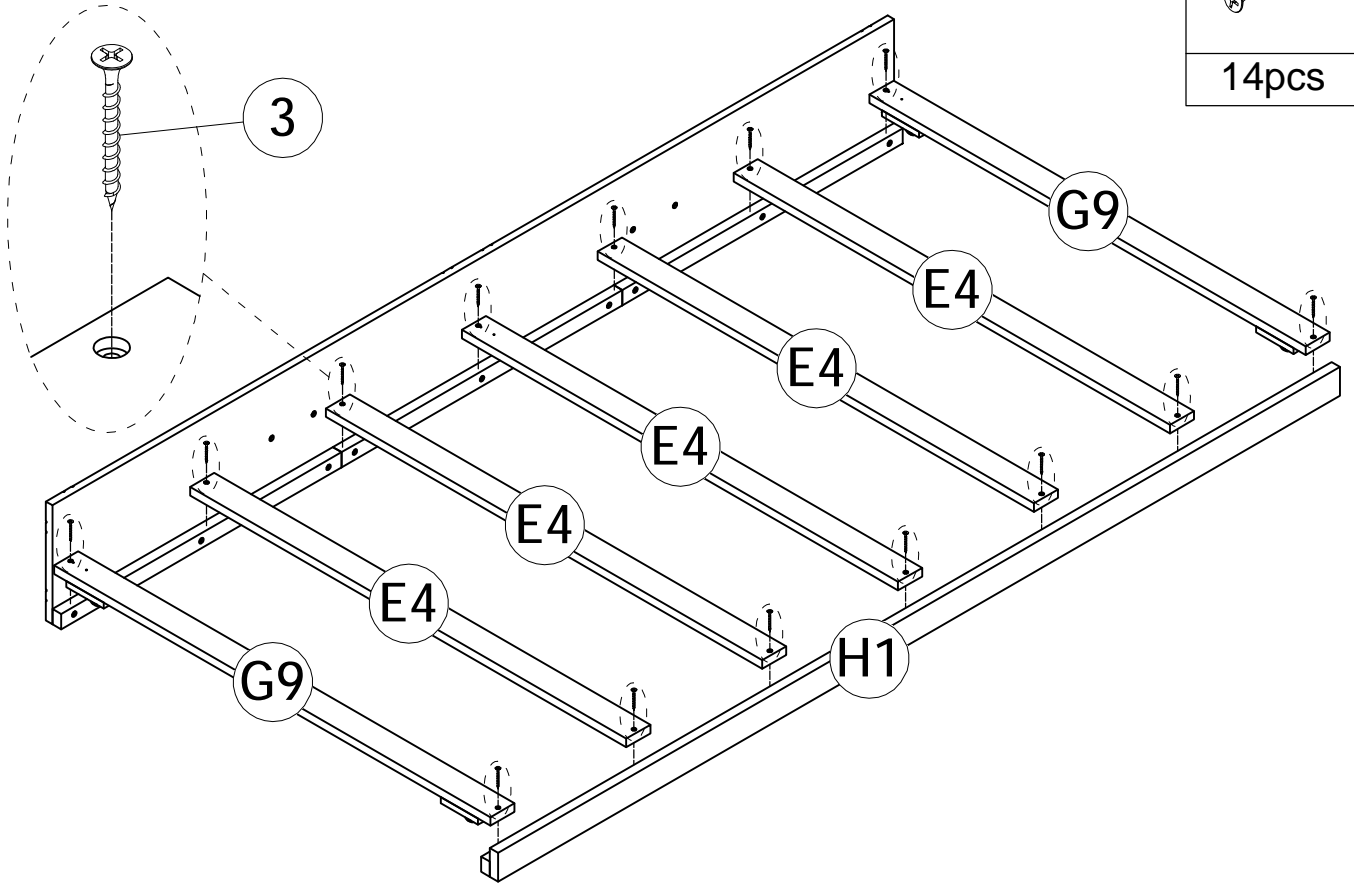
4pc

STEP34: Following below illustration.

3



14pcs



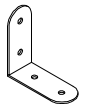
STEP35: Following below illustration.

17

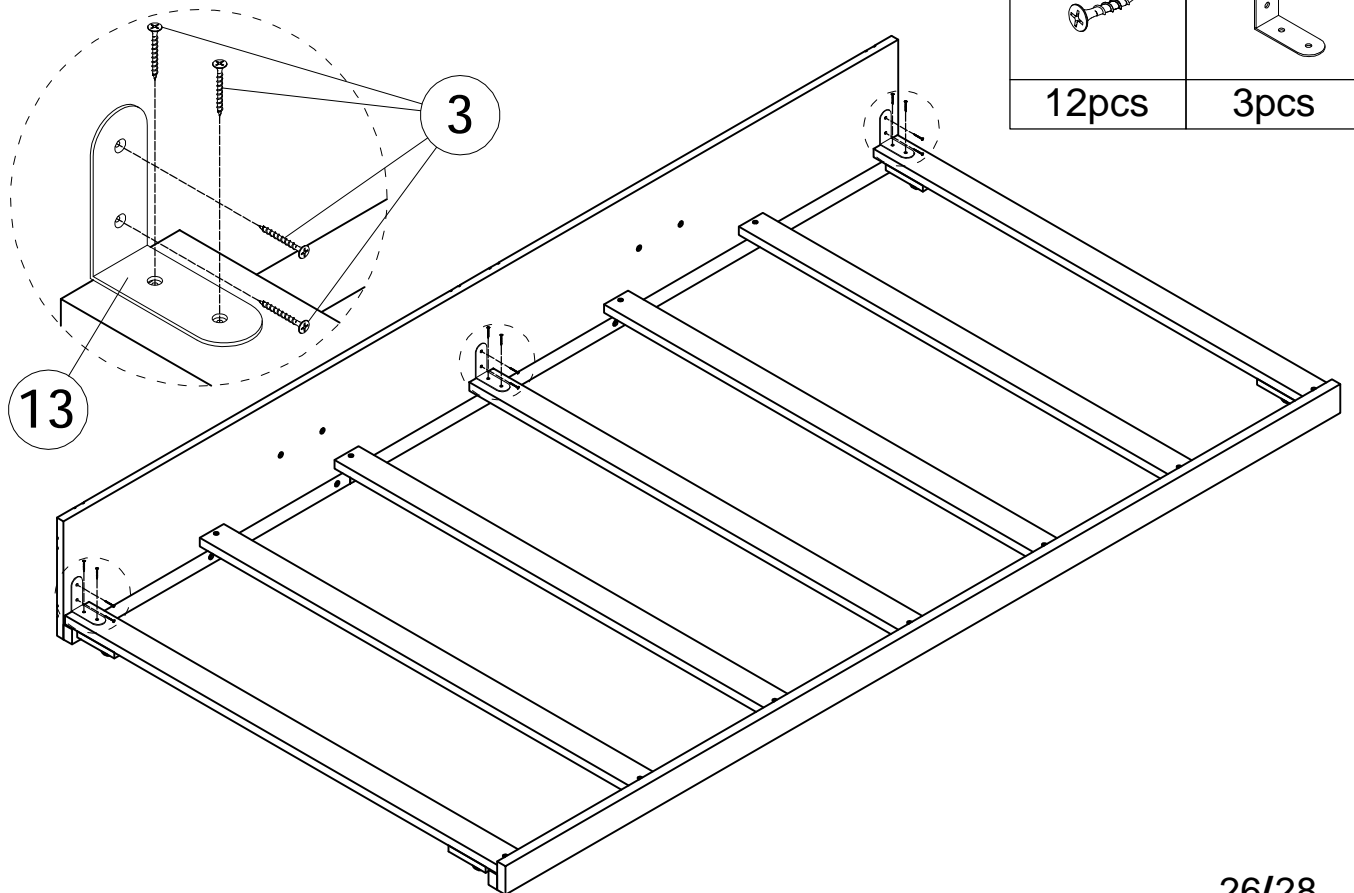


12pcs

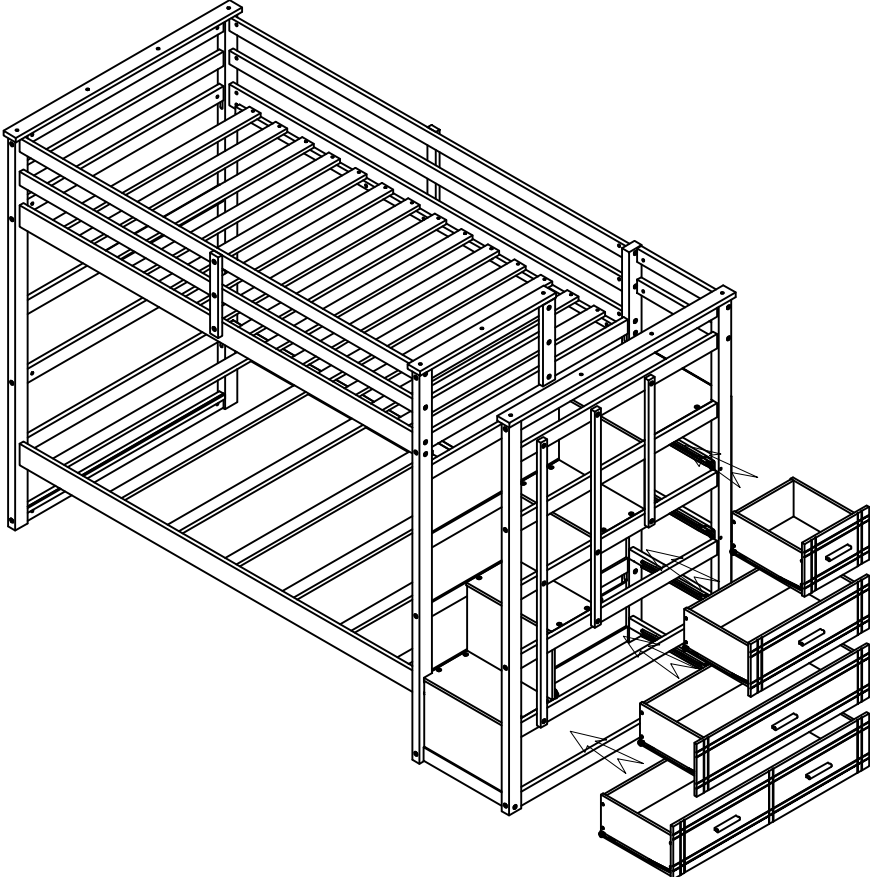
13



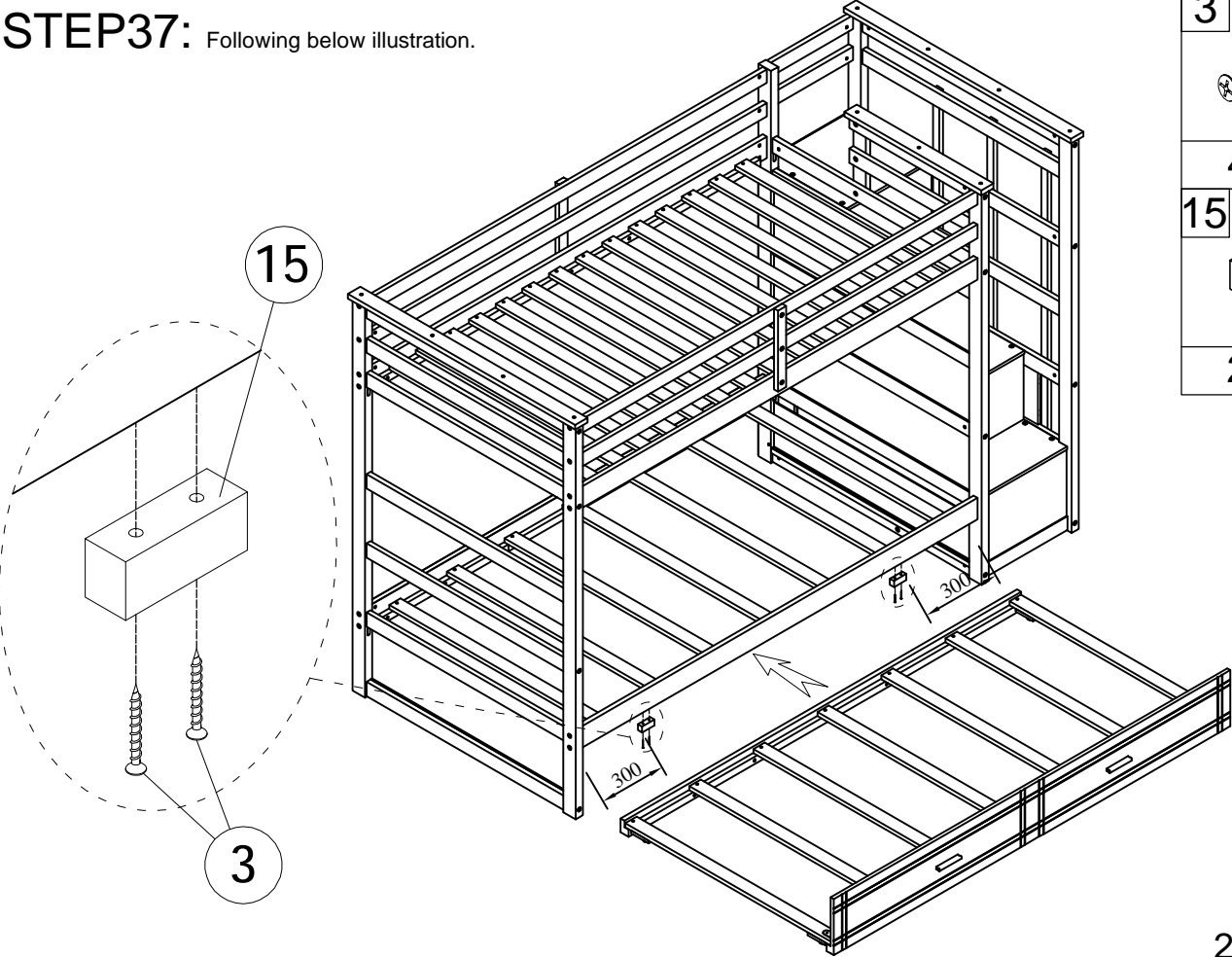
3pcs


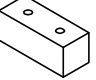


STEP36: Following below illustration.



STEP37: Following below illustration.



- 3 
- 4pcs
- 15 
- 2pcs

FINISH:

