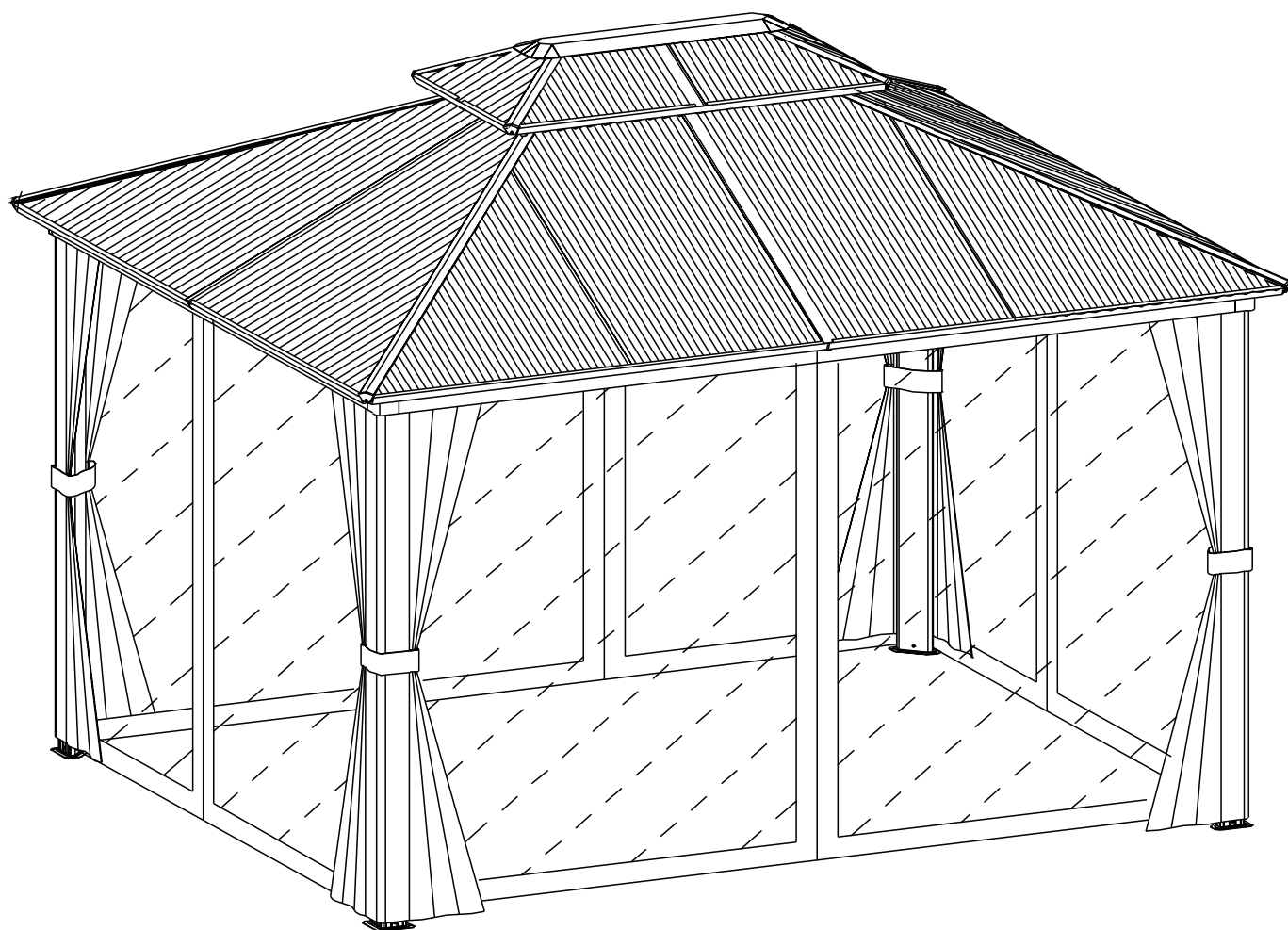


INSTALLATION INSTRUCTIONS

10x14 ft Gazebo



Our team is available 24/7 to help with any product questions. Contact us anytime!

Warning

- Please read and understand this manual carefully before assembly. Before starting to assemble the product, please ensure that all parts are present. Please check the parts against the packing list. If you find any missing parts, please contact us.
- Any assembly or maintenance work on this product must be performed by adults. We recommend that at least two adults be involved.
- Please check your state and local regulations before purchasing. Some areas may require a permit for the installation and use of this product. There may be specific procedures in your area.
- Please install the Pergola on a flat surface. Ground stakes are included with the product to secure the Pergola to the ground.
- Do not assemble the Pergola on sandy, muddy, or loose soil, as the ground stakes will not provide sufficient anchoring in these types of soil.
- If you wish to secure the Pergola to a wooden deck or concrete surface, please use anchor bolts suitable for these surfaces.
- Some parts may contain sharp edges. Protective gloves are recommended.
- Keep children and pets away while assembling the Pergola.
- Regularly check all nuts and bolts to ensure they are tightened.
- Before starting assembly, carefully read each step and ensure you understand each step.
- Please refer to the diagrams. Place all parts from the box in a clean area and lay them flat on the floor in front of you.
- Remove all packaging materials and place them back in the box. Do not discard the packaging materials until assembly is complete.

Maintenance

- Snow must be removed regularly during snowy weather. Remove snow when the snow accumulation on the roof exceeds 2 inches (5 cm). To avoid damage, use a plastic snow rake to remove excess snow and ice from the roof, and be careful to stay clear of falling debris.
- This Pergola is for decorative and shading purposes only and is not designed to withstand severe weather conditions, including strong winds, heavy rain, and heavy snow.
- The steel components of this Pergola are coated with rust-resistant paint. However, due to the inherent properties of steel, oxidation (rusting) may still occur on the surface if the protective coating is scratched. This is not a product defect and is therefore not covered under warranty.
- To minimize this occurrence, it is recommended to handle the product carefully during assembly and handling to avoid scratching the paint. If any scratches or damage occur, it is recommended to immediately repair the scratches with rust-resistant paint (not included).
- Do not use bleach, acid, or other abrasive cleaners on the roof or frame components.
- Please keep these instructions for future reference.

Pre-assembly

TOOLS THAT MAY BE REQUIRED (included in boxes)

***NOTE: Tools /equipment are not shown to actual size and scale.**



ALLEN KEY



Wrench



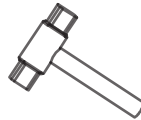
GLOVES

EQUIPMENT REQUIRED (Not included in boxes)

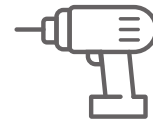
***NOTE: Equipment are not shown to actual size and scale.**



LEVEL



RUBBER MALLET



DRILL



SAFETY HAT



SAFETY GOGGLES



STEPLADDER

Matters needing attention



1. Two or more people are required for assembly.



2. Do not fully tighten screws prior to complete assembly.



3. Use a spirit level. Before proceeding, check that the device or component is perfectly level.



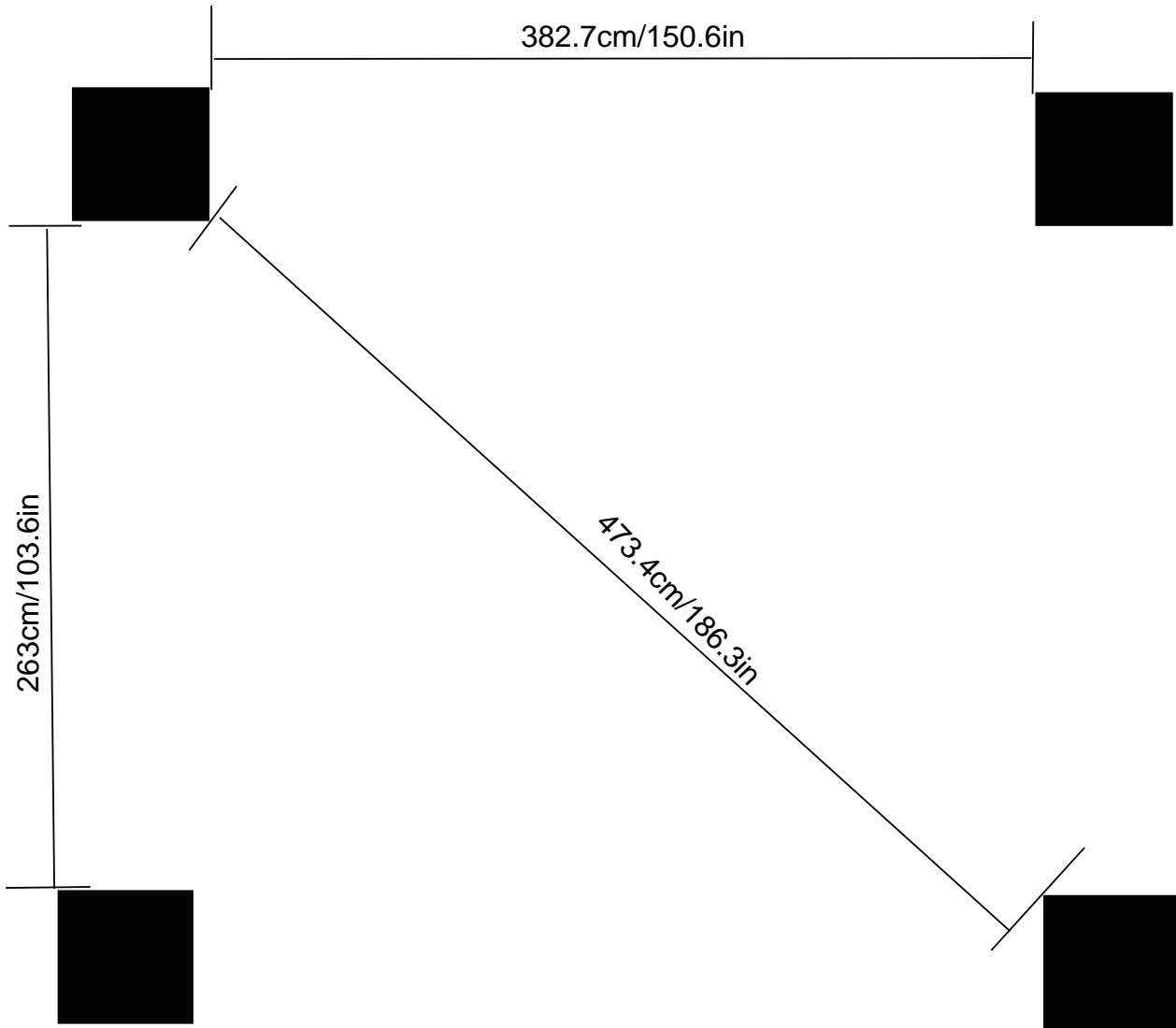
4. Use a square to check: Before tightening the bolts, check that the assembly is square.



5. Do not overtighten the mounting bolts. Overtightening can cause the wood to crack, splinter, and result in other structural damage.

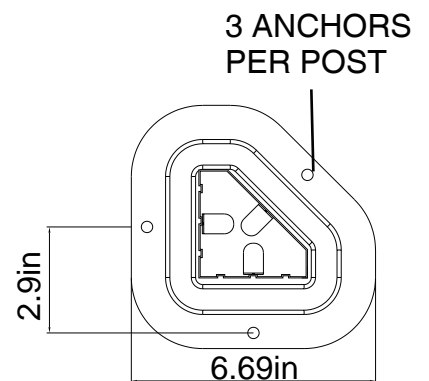
INSTALLATION BLUEPRINT

10'x14'



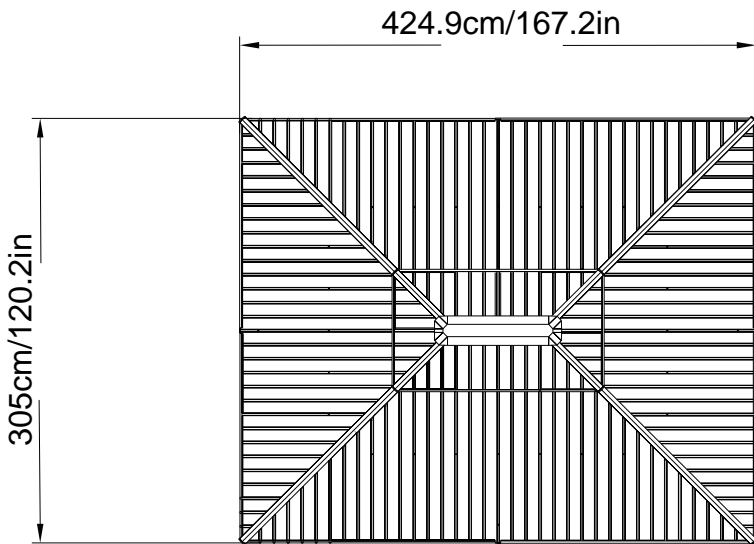
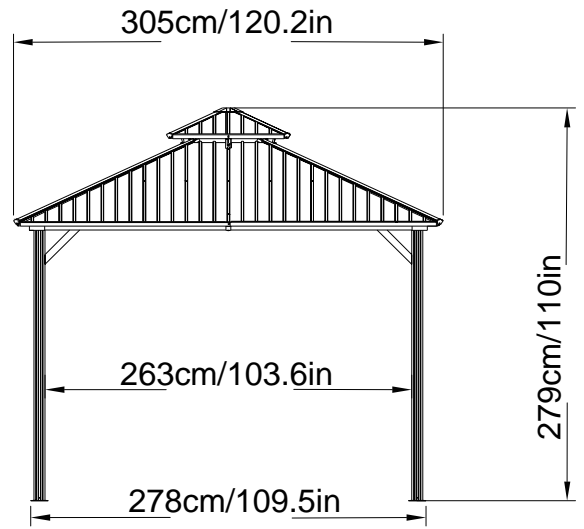
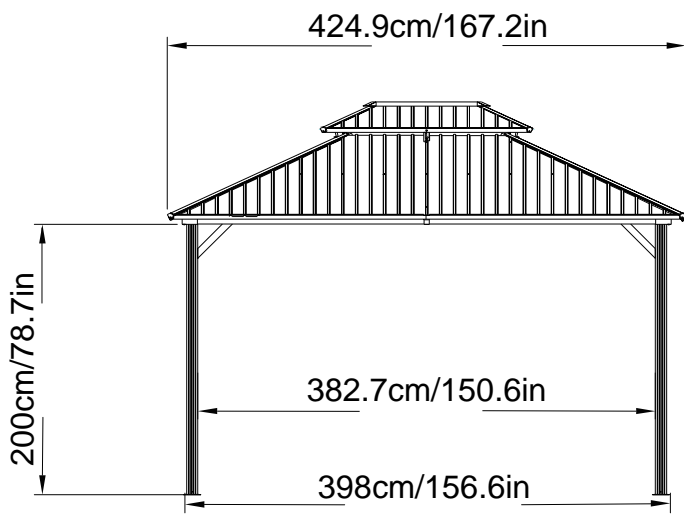
The width dimension error is restricted to 0.19"

Diagonal line error should be limited to 0.39"

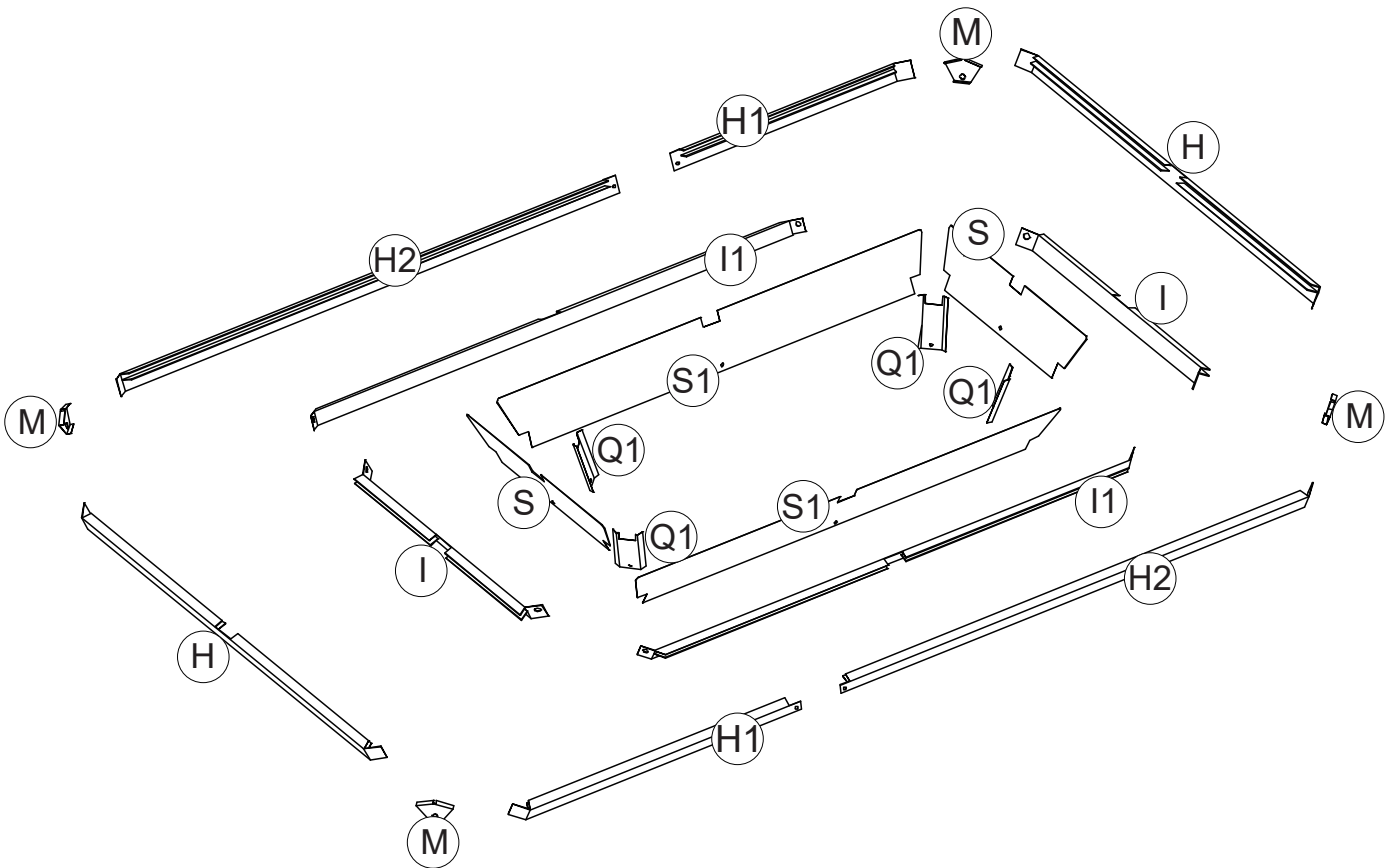
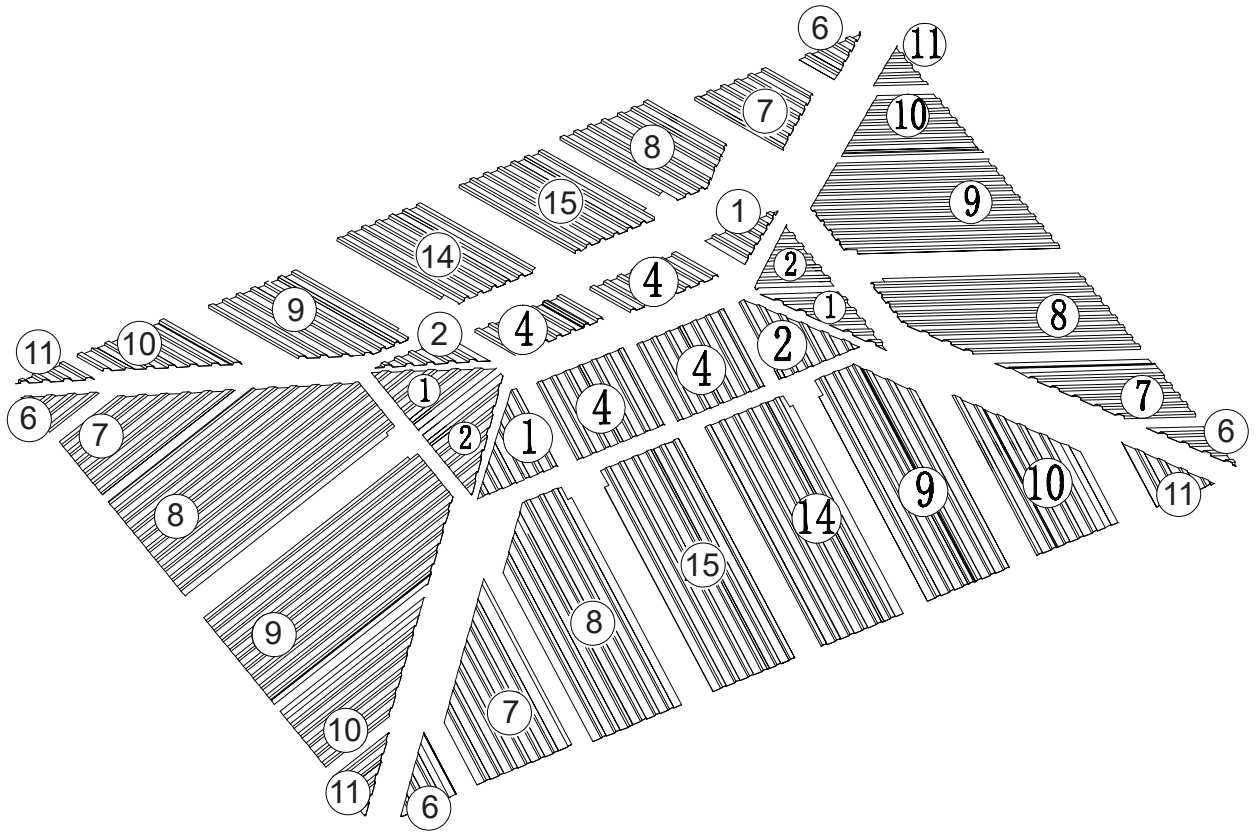


PRODUCT DIMENSIONS

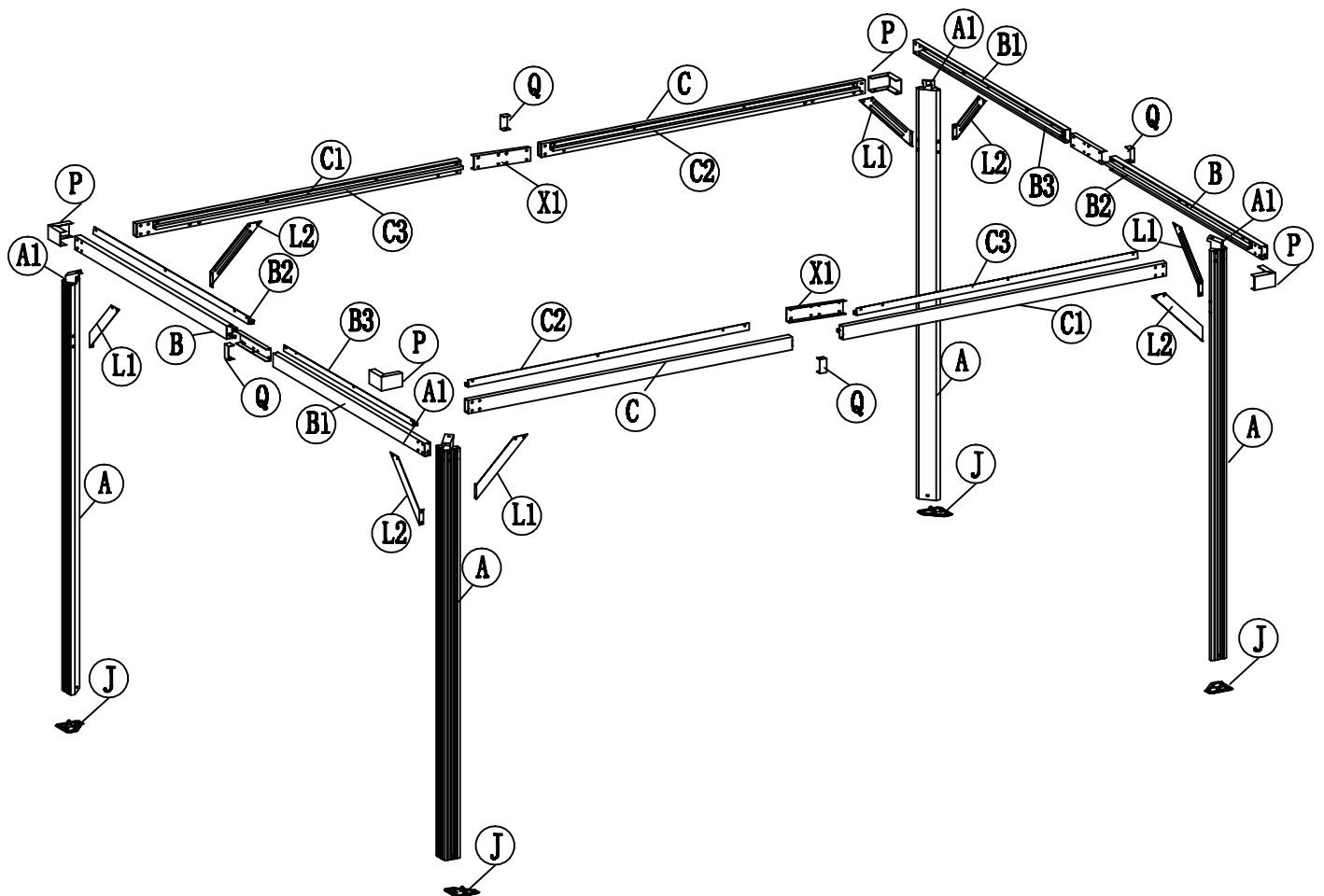
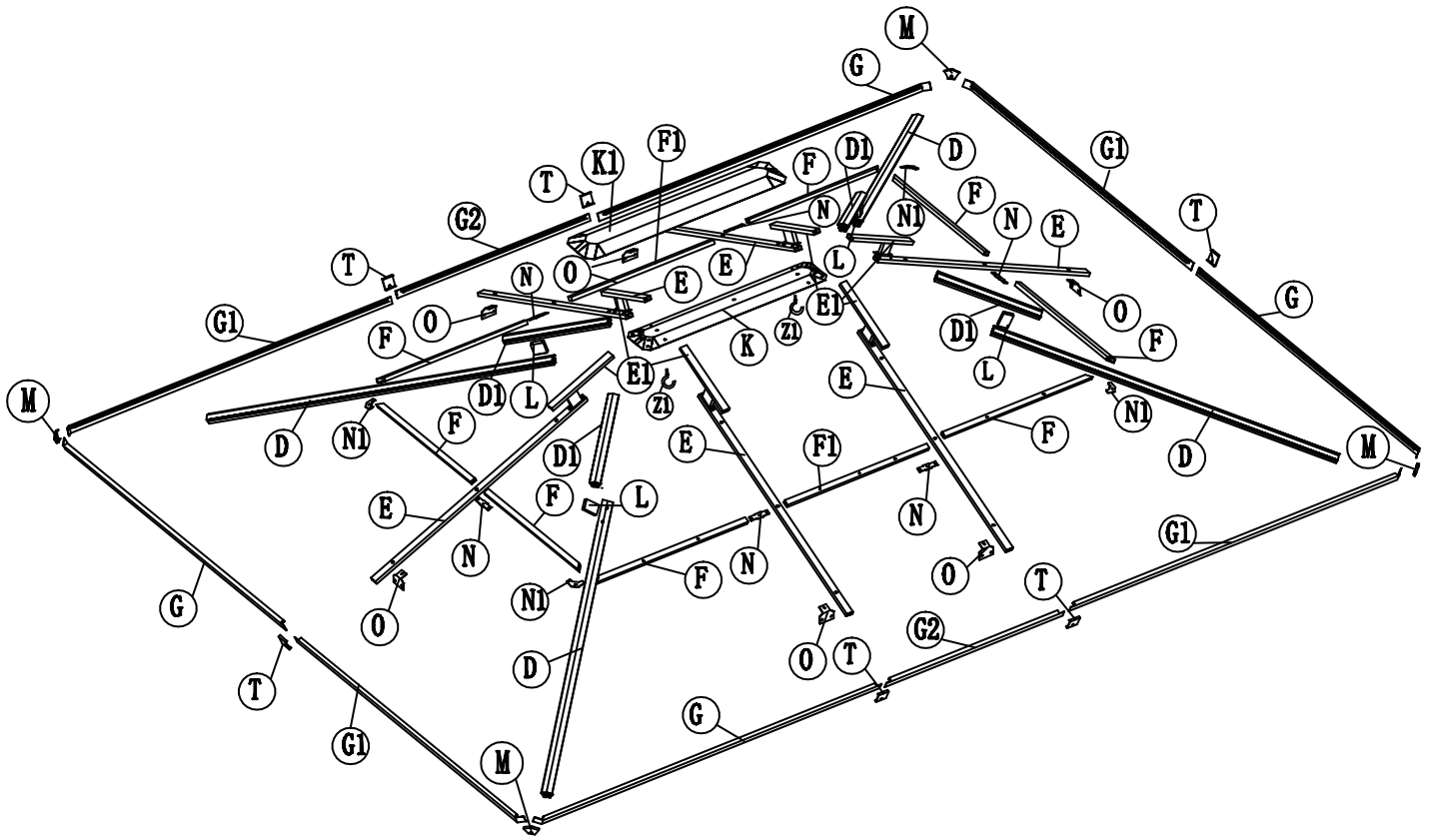
10'x14'
















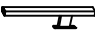
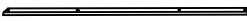

EXPLODED DRAWING




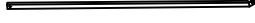







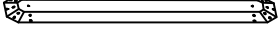
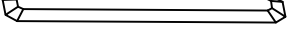





EXPLODED DRAWING





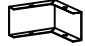
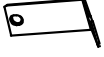



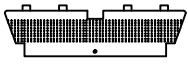
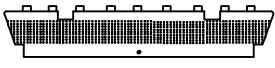


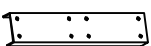


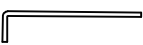

Part Lists

| Part Number | Part Image | Description | QTY |
|-------------|-------------------------------------------------------------------------------------|-------------------|-----|
| A |  | Pillar | 4 |
| A1 |  | connector | 4 |
| B |  | Beam | 2 |
| B1 |  | Beam | 2 |
| B2 |  | Track | 2 |
| B3 |  | Track | 2 |
| C |  | Beam | 2 |
| C1 |  | Beam | 2 |
| C2 |  | Track | 2 |
| C3 |  | Track | 2 |
| D |  | corner beam | 4 |
| D1 |  | Short corner beam | 4 |
| E |  | rafter | 6 |
| E1 |  | Short rafter | 6 |
| F |  | purlin | 8 |
| F1 |  | purlin | 2 |



Part Lists

| Part Number | Part Image | Description | QTY |
|-------------|-------------------------------------------------------------------------------------|----------------------------|-----|
| G |  | Edge Trim | 4 |
| G1 |  | Edge Trim | 4 |
| G2 |  | Edge Trim | 2 |
| H |  | Edge Trim | 2 |
| H1 |  | Edge Trim | 2 |
| H2 |  | Edge Trim | 2 |
| I |  | Edge Trim | 2 |
| I1 |  | Edge Trim | 2 |
| J |  | Chassis | 4 |
| K |  | Bottom piece | 1 |
| K1 |  | Top piece | 1 |
| L |  | connection block | 4 |
| L1 |  | Diagonal bracing | 4 |
| L2 |  | Diagonal bracing | 4 |
| M |  | Corner Beam Cover Plate | 8 |
| N |  | Purlin Connection | 6 |




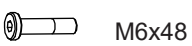
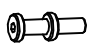



Part Lists

| Part Number | Part Image | Description | QTY |
|-------------|-------------------------------------------------------------------------------------|-------------------------------|-----|
| N1 |  | Four-corner Purlin Connection | 4 |
| O |  | Rafter Connection | 6 |
| P |  | corner piece | 4 |
| P1 |  | Bracket | 8 |
| Q |  | Beam decorative parts | 4 |
| Q1 |  | Four corner baffle | 4 |
| R |  | Curtain hook | 112 |
| S |  | Hollow out baffle | 2 |
| S1 |  | Hollow out baffle | 2 |
| T |  | Rafter Cover Plate | 6 |
| U |  | Tile Pad | 40 |
| X1 |  | Connection | 4 |
| Z1 |  | Hook | 2 |
| Z2 |  | Hex key | 1 |
| Z4 |  | Ground spike | 12 |
| Z7 |  | Track Cap | 8 |




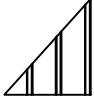
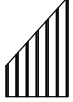
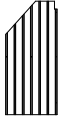

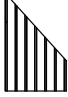
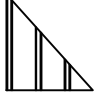
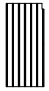
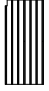
Hardware Pack

| Part Number | Part Image | Description | QTY |
|-------------|-----------------------------------------------------------------------------------|-------------|-----|
| 18 |  | Mesh | 4 |
| 19 |  | Curtain | 4 |

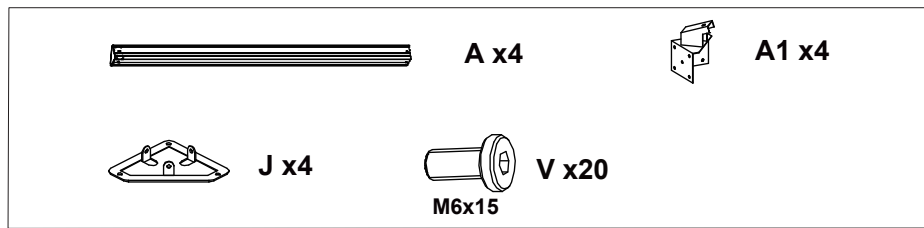
Hardware Pack

| Part Number | Part Image | Description | QTY |
|-------------|--------------------------------------------------------------------------------------------|----------------|-----|
| V |  M6x15 | Screw | 203 |
| V1 |  M6x130 | Screw | 8 |
| W |  M6x25 | Screw | 12 |
| X |  M6x48 | Screw | 28 |
| Y |  | Screw | 32 |
| Z |  | Screw | 8 |
| Z3 |  | Nut | 36 |
| 20 |  | Expansion bolt | 12 |

Part Lists

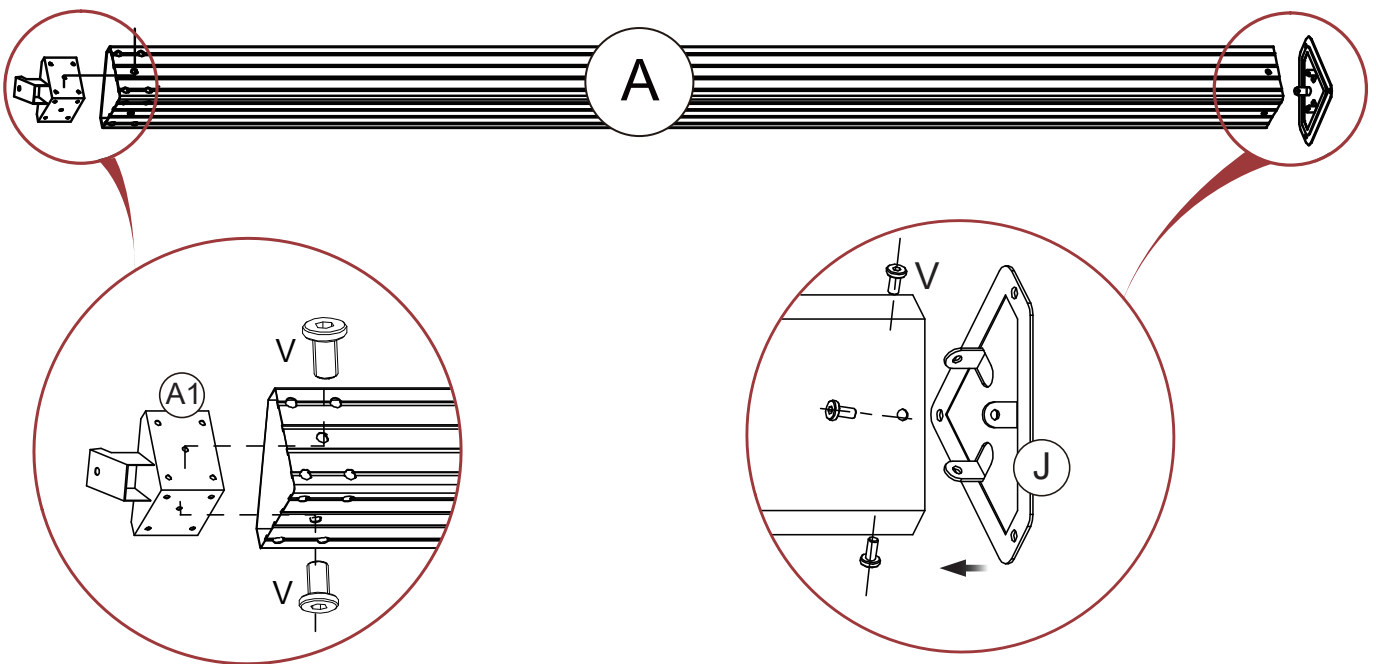
| Part Number | Part Image | QTY |
|-------------|-------------------------------------------------------------------------------------|-----|
| ① |  | 4 |
| ② |  | 4 |
| ④ |  | 4 |
| ⑥ |  | 4 |
| ⑦ |  | 4 |
| ⑧ |  | 4 |
| ⑨ |  | 4 |
| ⑩ |  | 4 |
| ⑪ |  | 4 |
| ⑭ |  | 2 |
| ⑮ |  | 2 |

STEP 1: Install upright posts

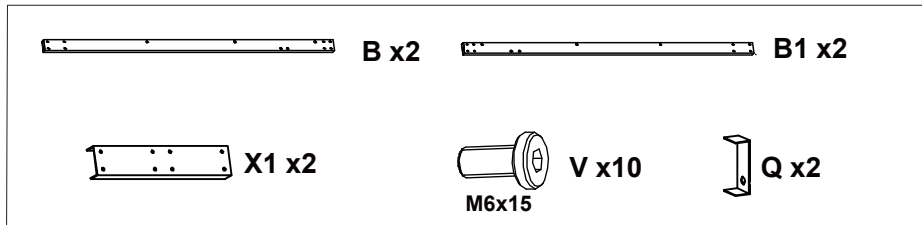


X4

1. Insert connector A1(4pcs) into Pillar A(4pcs) and secure with V(8pcs).
2. Place Chassis J under Pillar A(4pcs) and connect it with V Screw(12pcs)

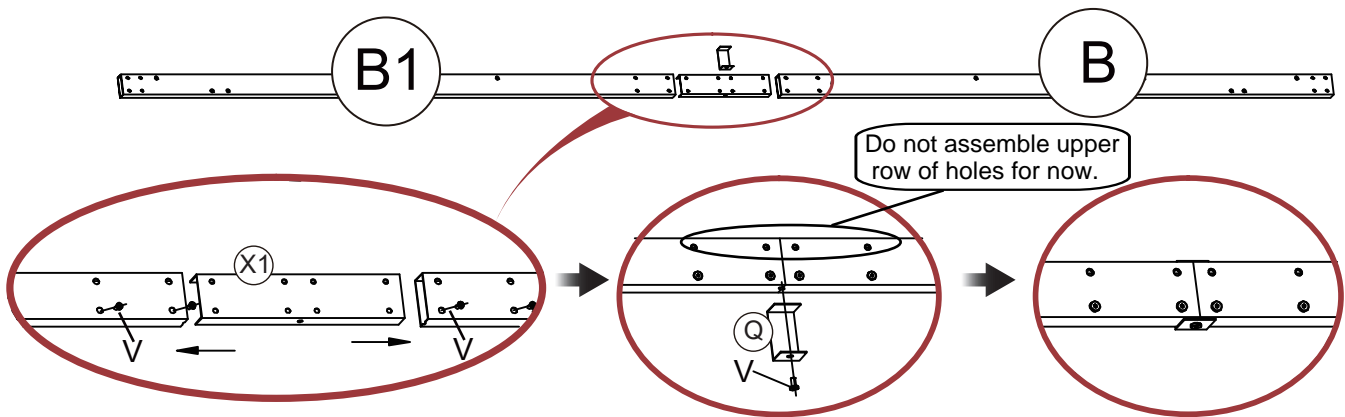


STEP 2: Install the crossbeam

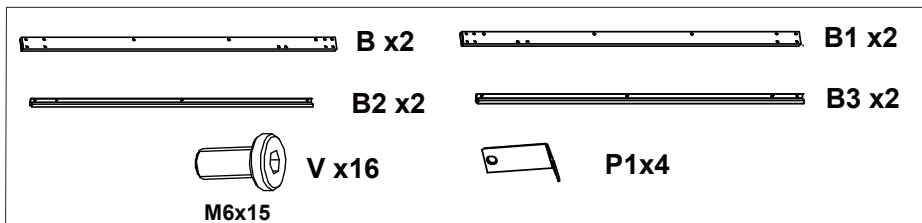


X2

1. Insert connector X1 (2pcs) into both beam B (2pcs) and B1 (2pcs), and secure with screw V (8pcs).
2. Place decorative part Q (2pcs) in the middle of the beam and secure with V (2pcs).

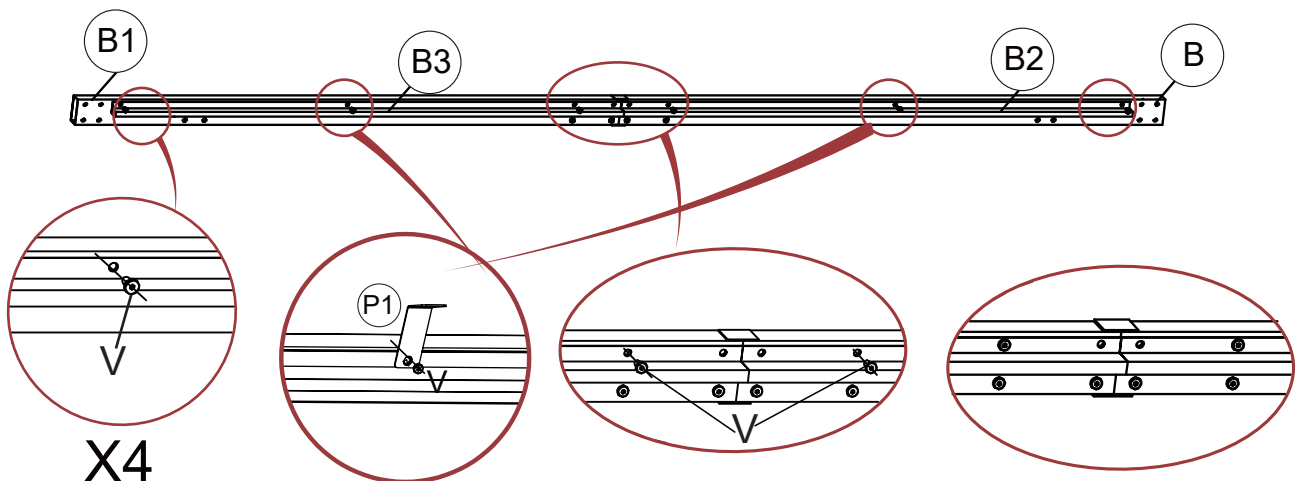


STEP 3: Install the crossbeam

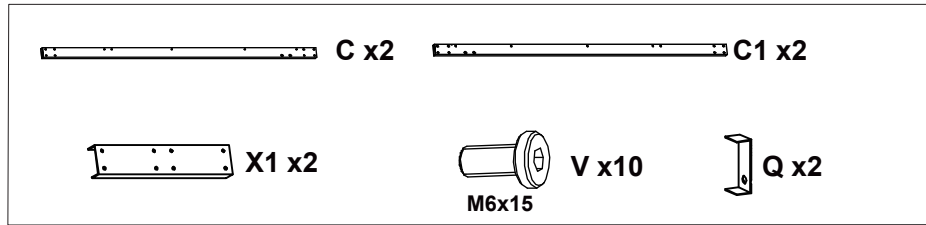


X2

1. Secure Track B2 (2pcs) and Track B3 (2pcs) to assembled beam B (2pcs) and beam B1 (2pcs) with V (16pcs).
2. Place bracket P1 (4pcs) over B2/B3, sharing one screw hole.

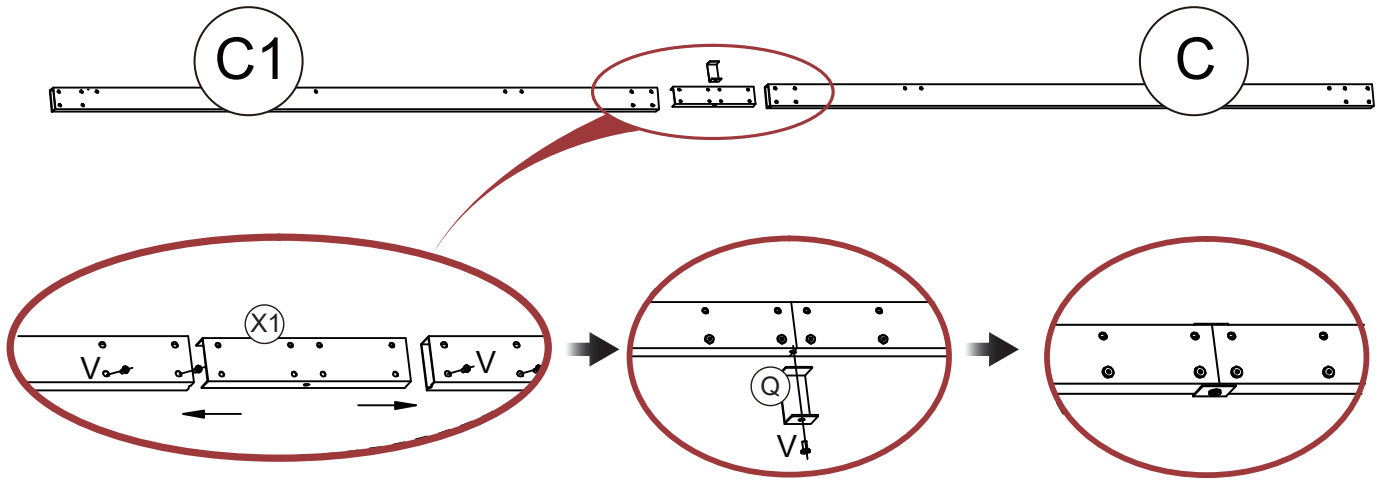


STEP 4: Install the crossbeam

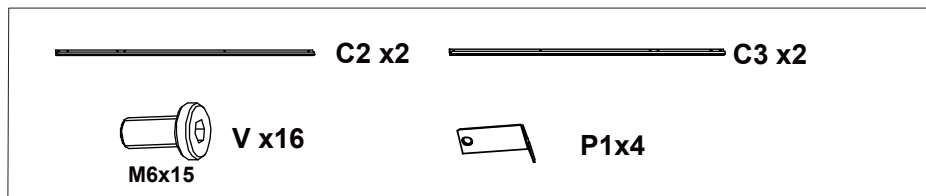


X2

1. Insert connector X1 (2pcs) into both beam C (2pcs) and C1 (2pcs), and secure with screw V (8pcs).
2. Place decorative part Q (2pcs) in the middle of the beam and secure with V (2pcs).

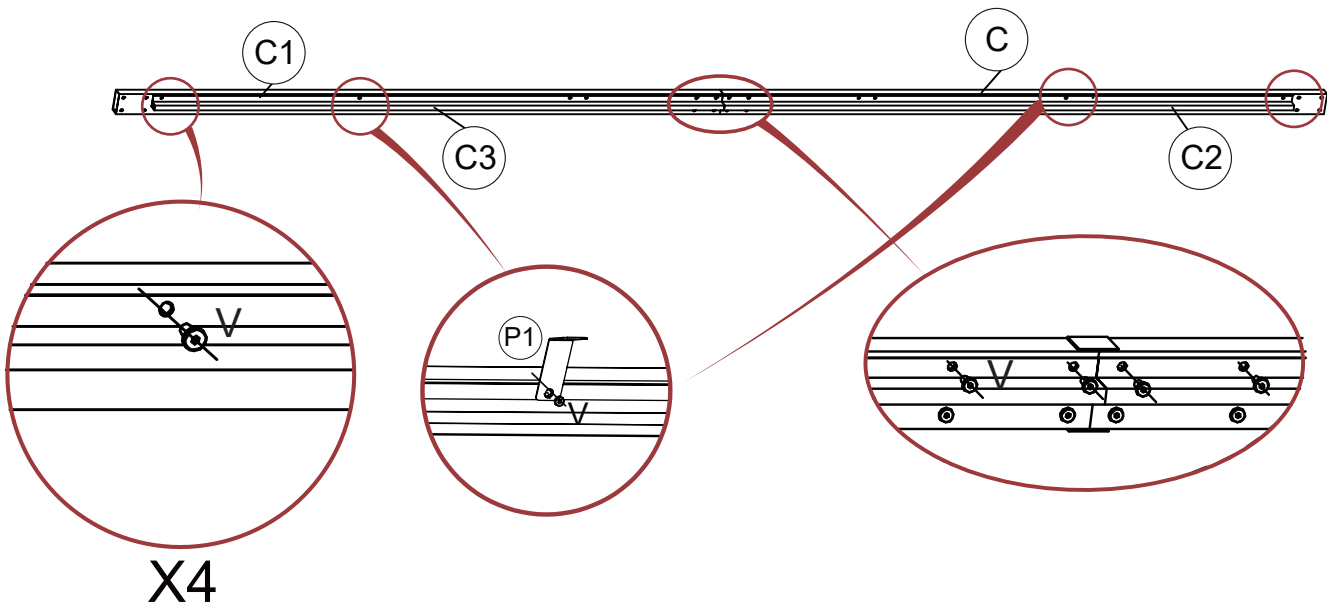


STEP 5: Install the crossbeam



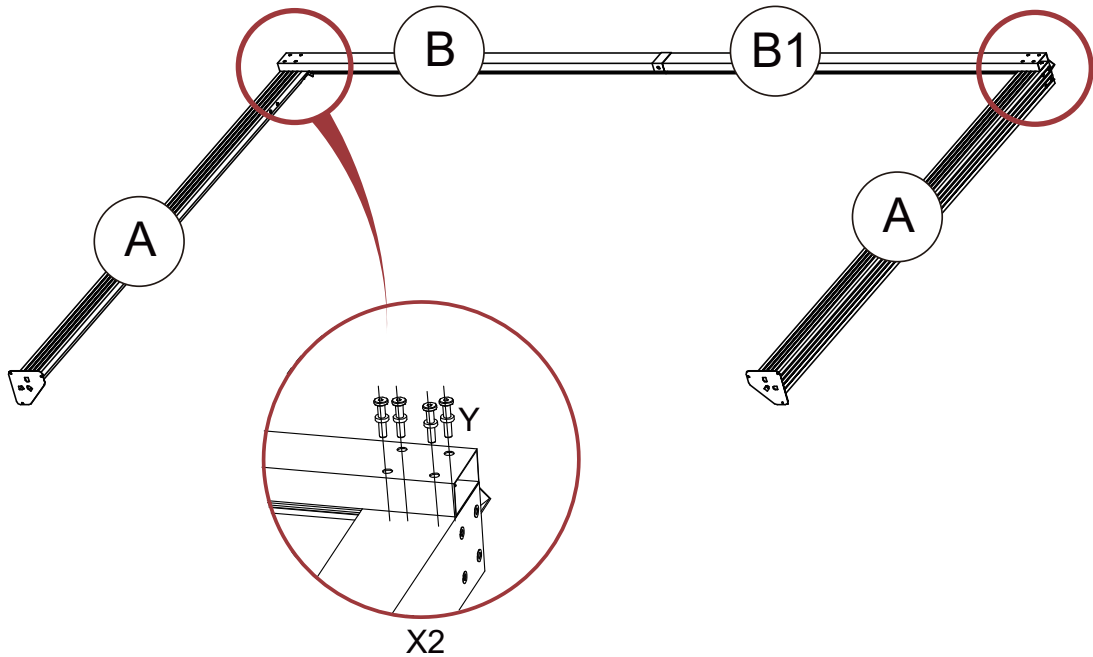
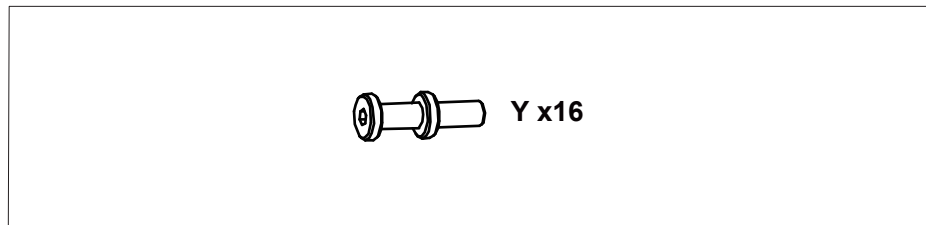
X2

1. Secure Track C2 (2pcs) and Track C3 (2pcs) to assembled beam B (2pcs) and beam B1 (2pcs) with V (16pcs).
2. Place bracket P1 (4pcs) over C2/C3, sharing one screw hole.



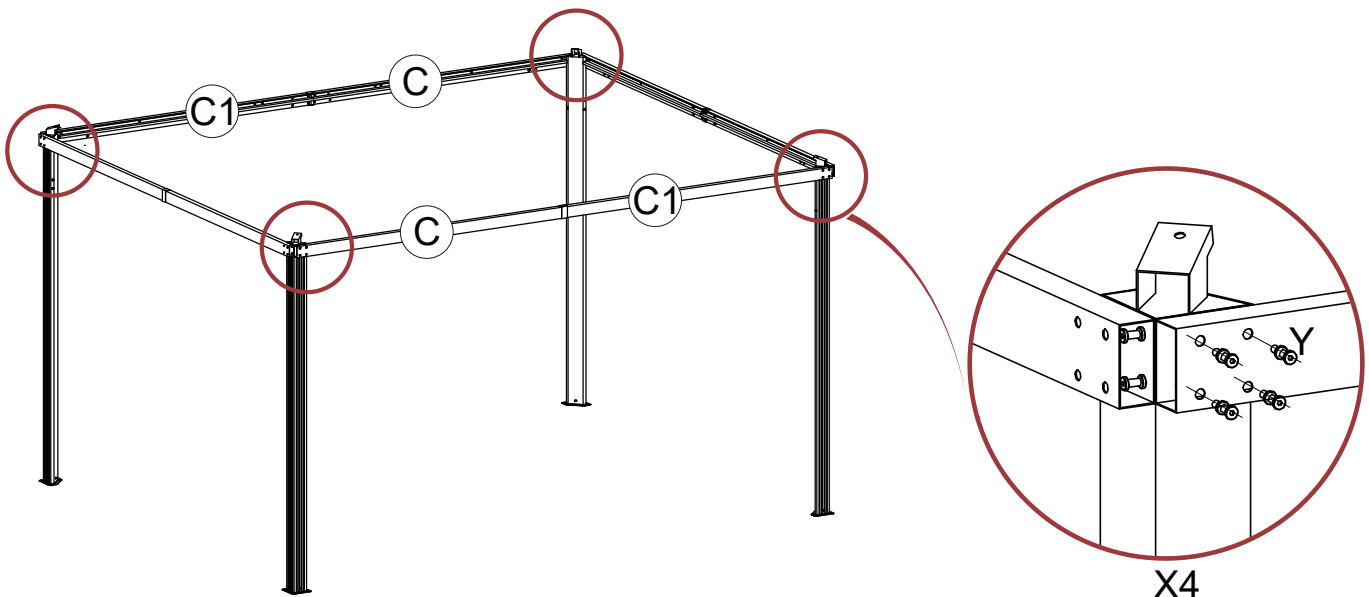
STEP 6: Install the crossbeam

X2



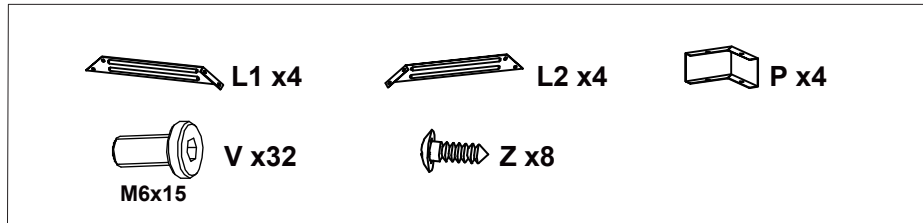
1. Secure Step1 and Step2 with screw Y(16pcs).

STEP 7: Install the crossbeam

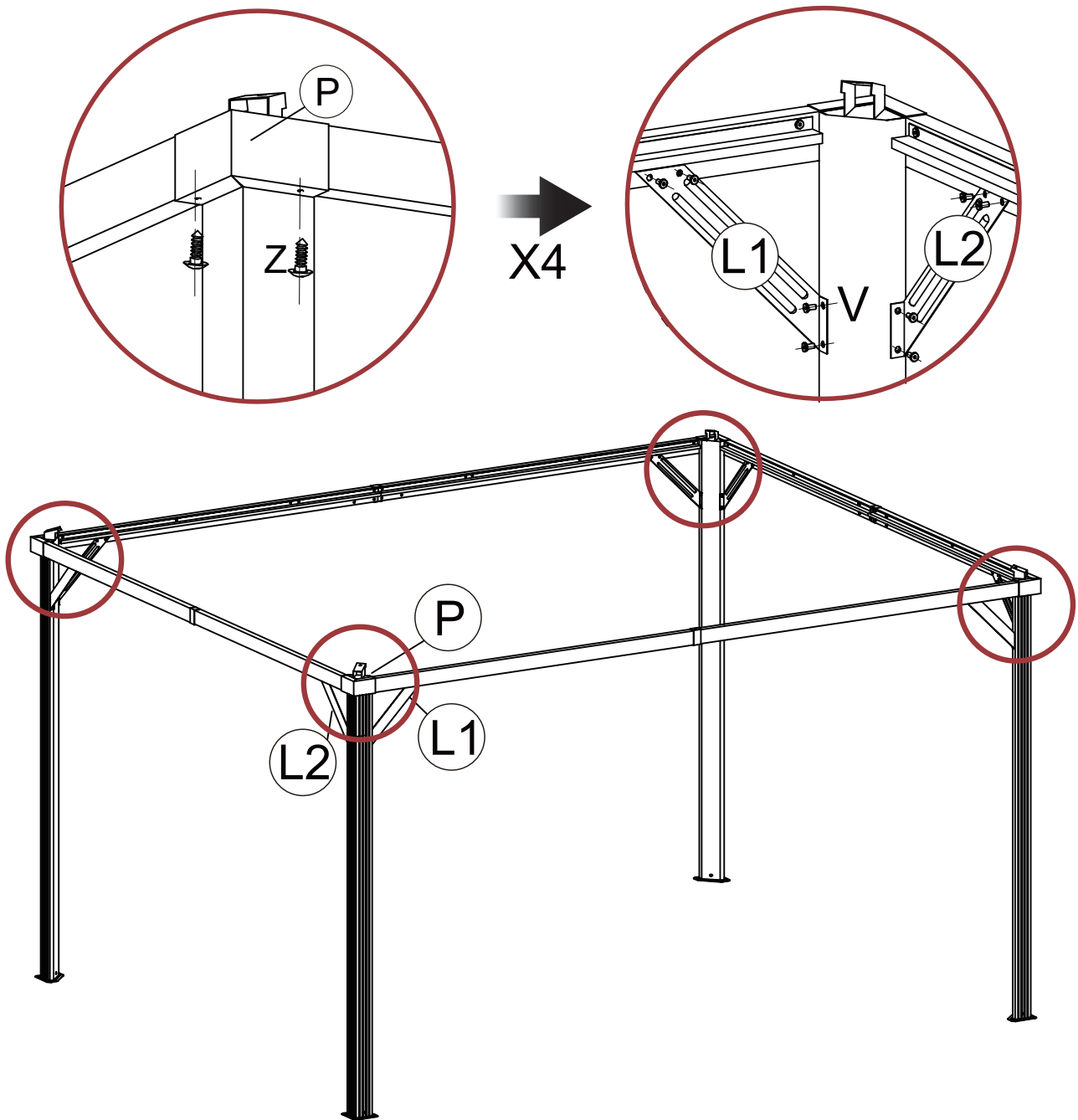


1. Secure Step4 and Step6 with screw Y(16pcs).

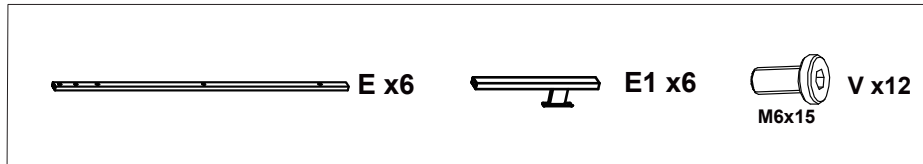
STEP 8: Install the crossbeam



1. Place corner piece P (4pcs) on four corners of the beam and secure with screw Z (8pcs).
2. Place diagonal bracing L1 (4pcs) and L2 (4pcs) at the beam-column corner and secure with screw V (32pcs).

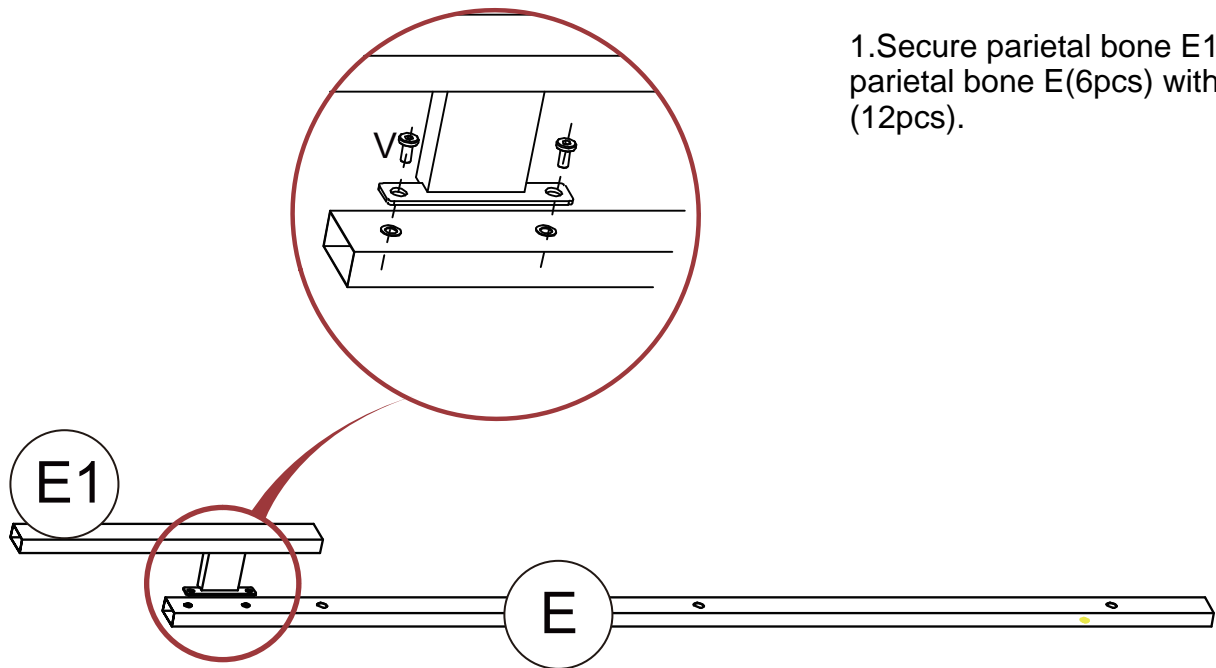


STEP 9: Install the crossbeam

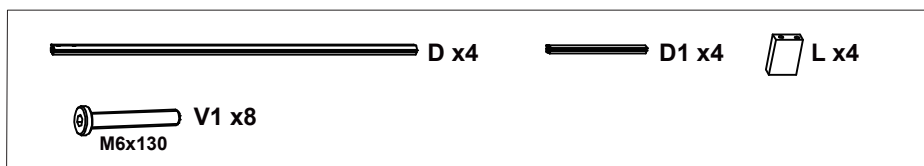


X6

1. Secure parietal bone E1 (6pcs) to parietal bone E (6pcs) with screw V (12pcs).

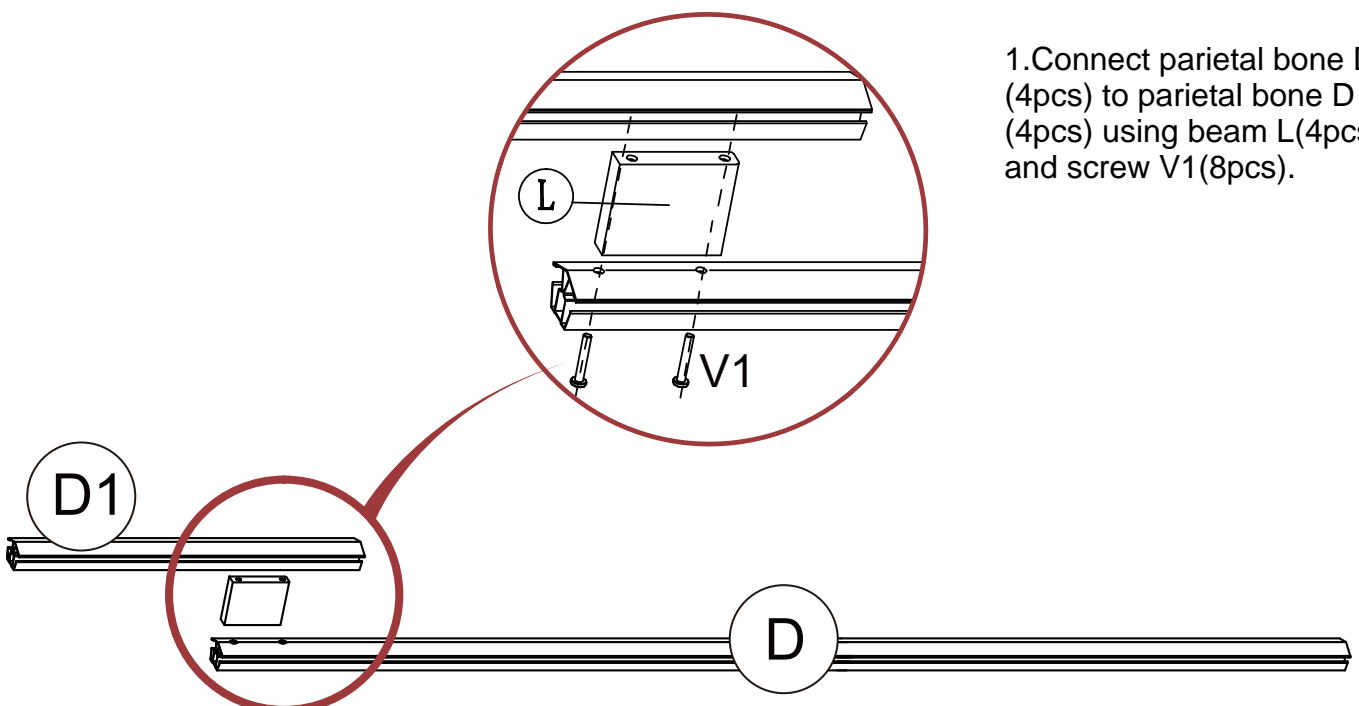


10: Install the crossbeam

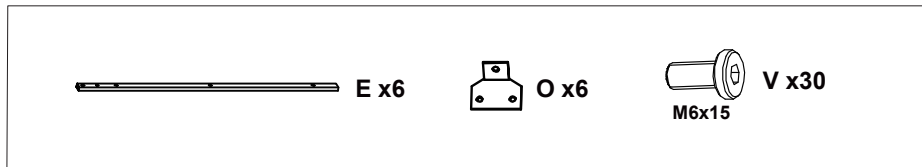


X4

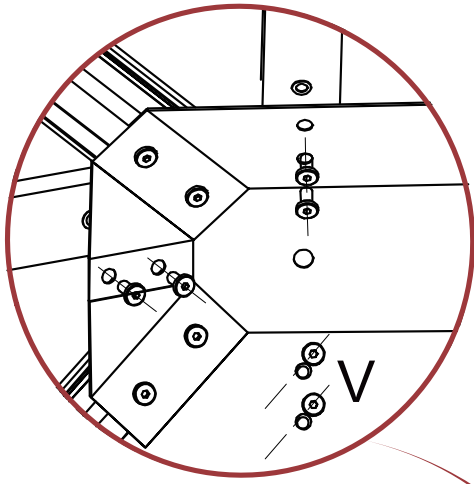
1. Connect parietal bone D1 (4pcs) to parietal bone D (4pcs) using beam L (4pcs) and screw V1 (8pcs).



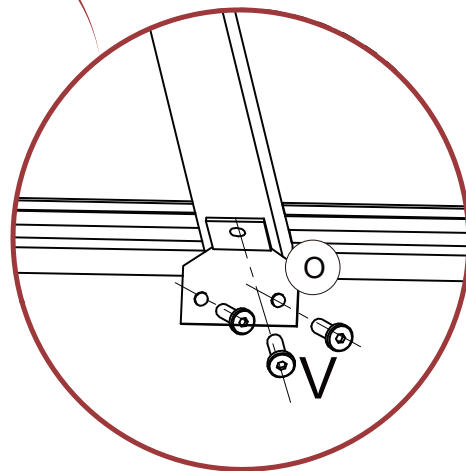
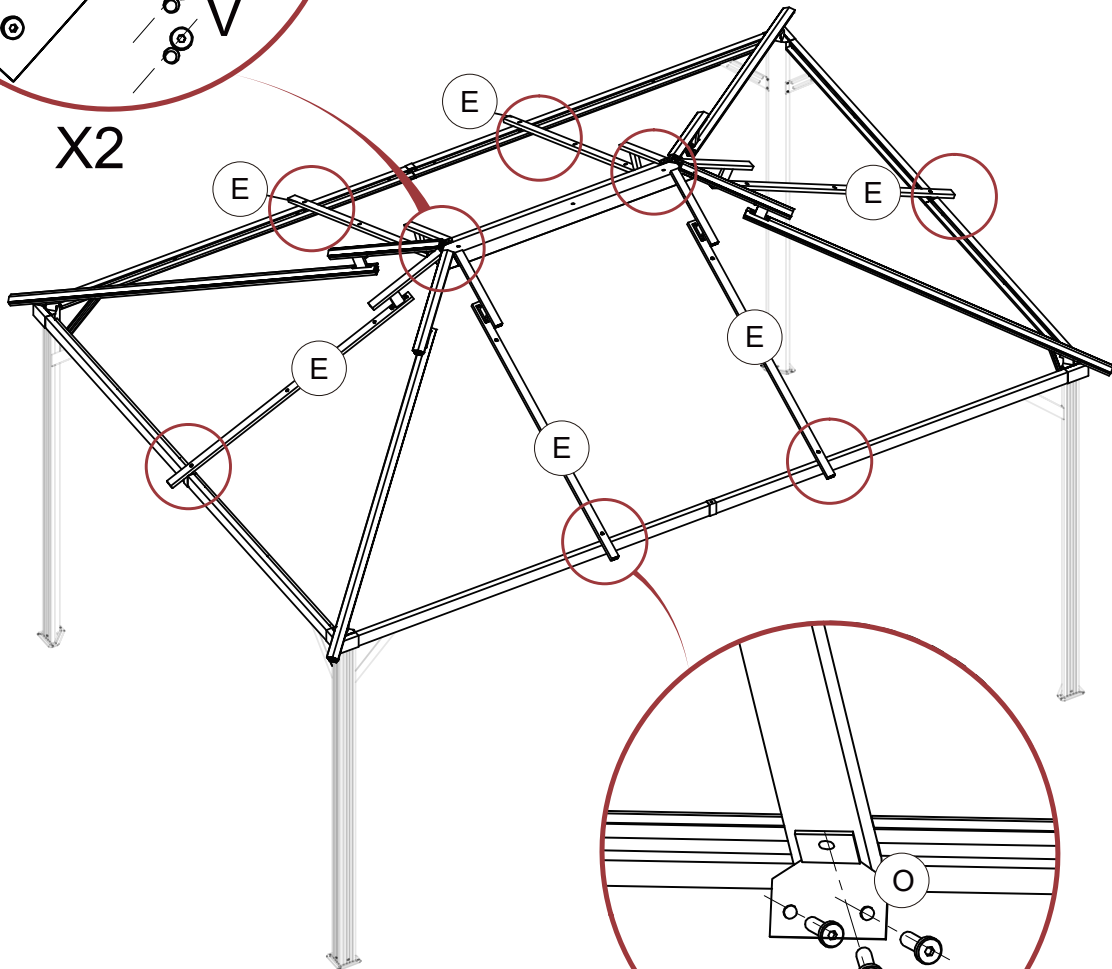
STEP 12: Install the crossbeam



1. Secure connector O(6pcs) to beam B and beam B1 and beam C and beam C1 with V(12pcs).
2. Secure parietal bone E to connector O with screw V(6pcs) and parietal bone E1 to bottom piece K with screw V(12pcs).

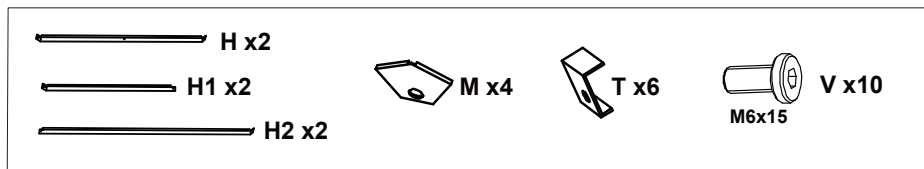


X2

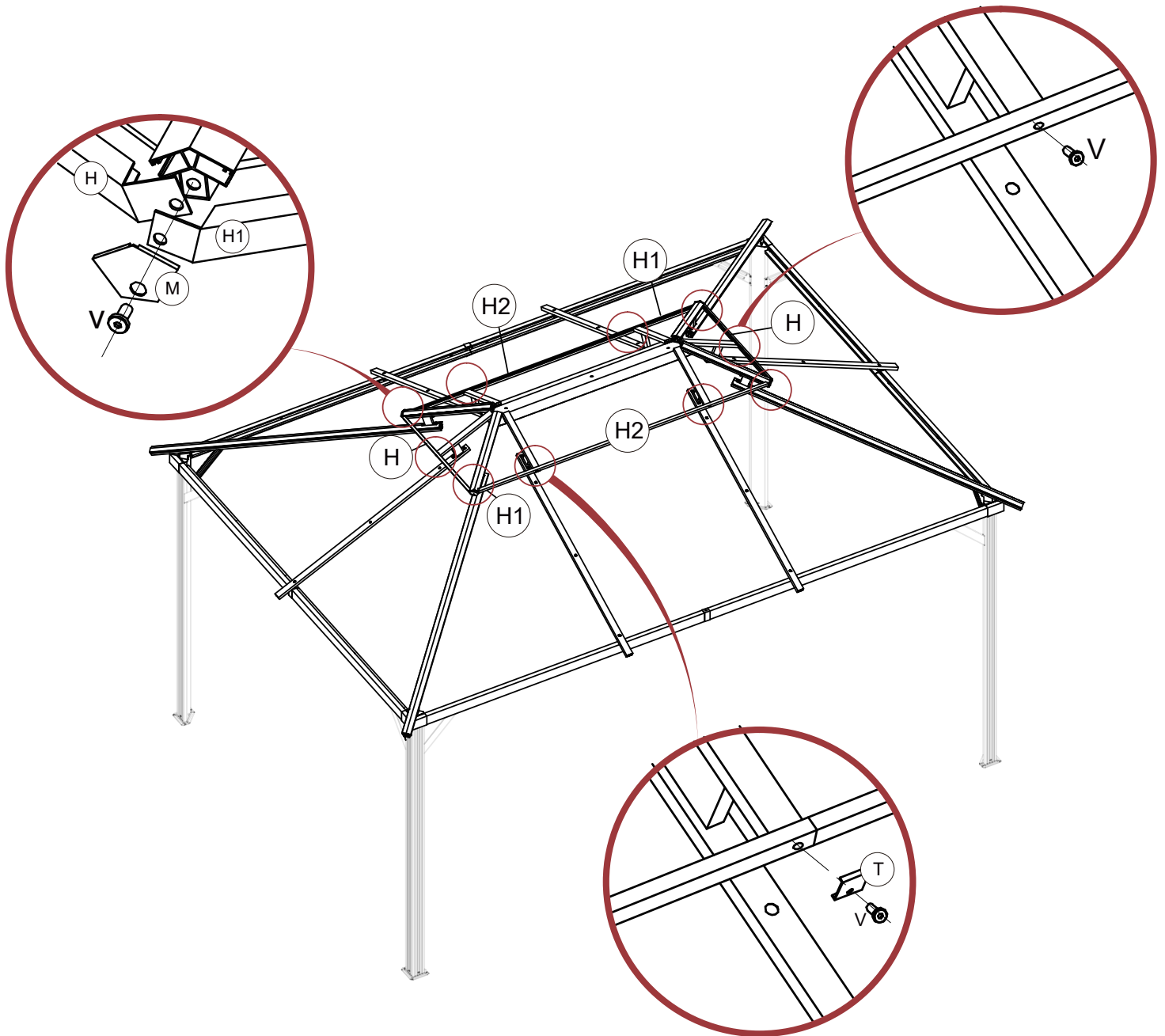


X6

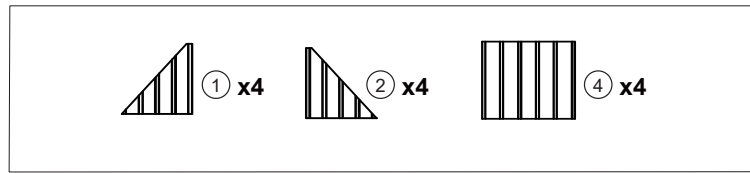
STEP 13: Install the crossbeam



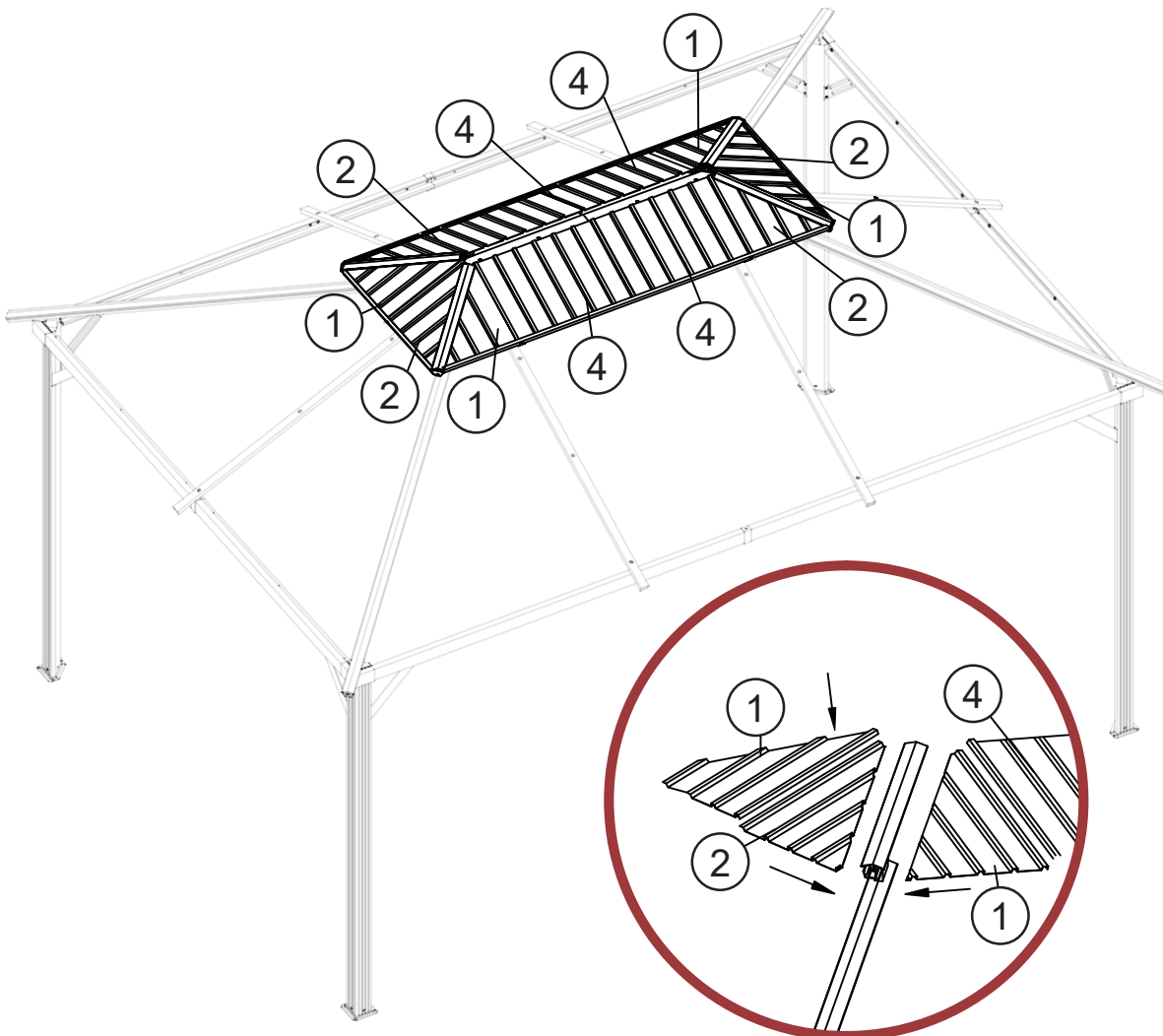
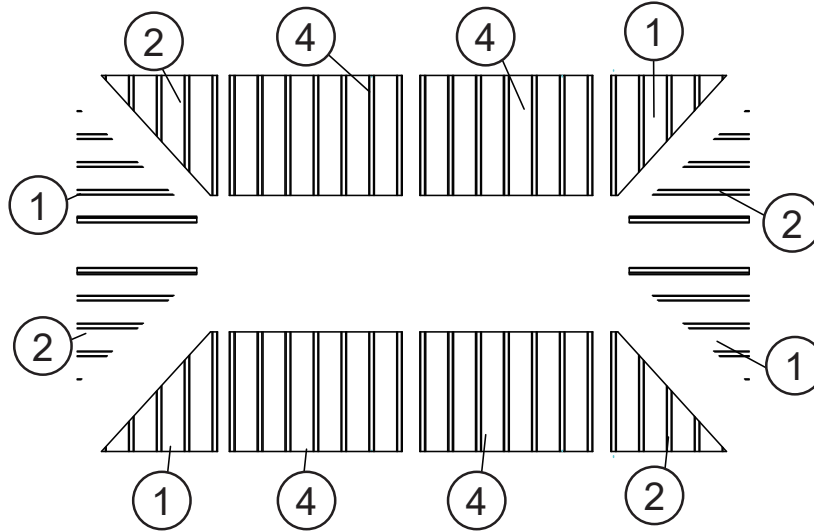
1. The edge Trim of H (2pcs) and edge Trim H1 (2pcs) overlap at the four corners, and are fixed together with V (4pcs)
2. Edge Trim H1, edge Trim H2, and T (2pcs) overlap and are connected with V (6pcs), H and E1 are connected with screw V (3pcs).



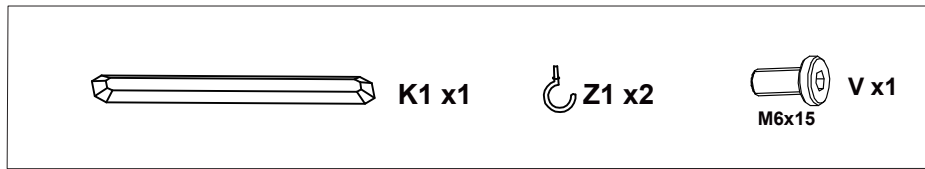
STEP 14: Install the crossbeam



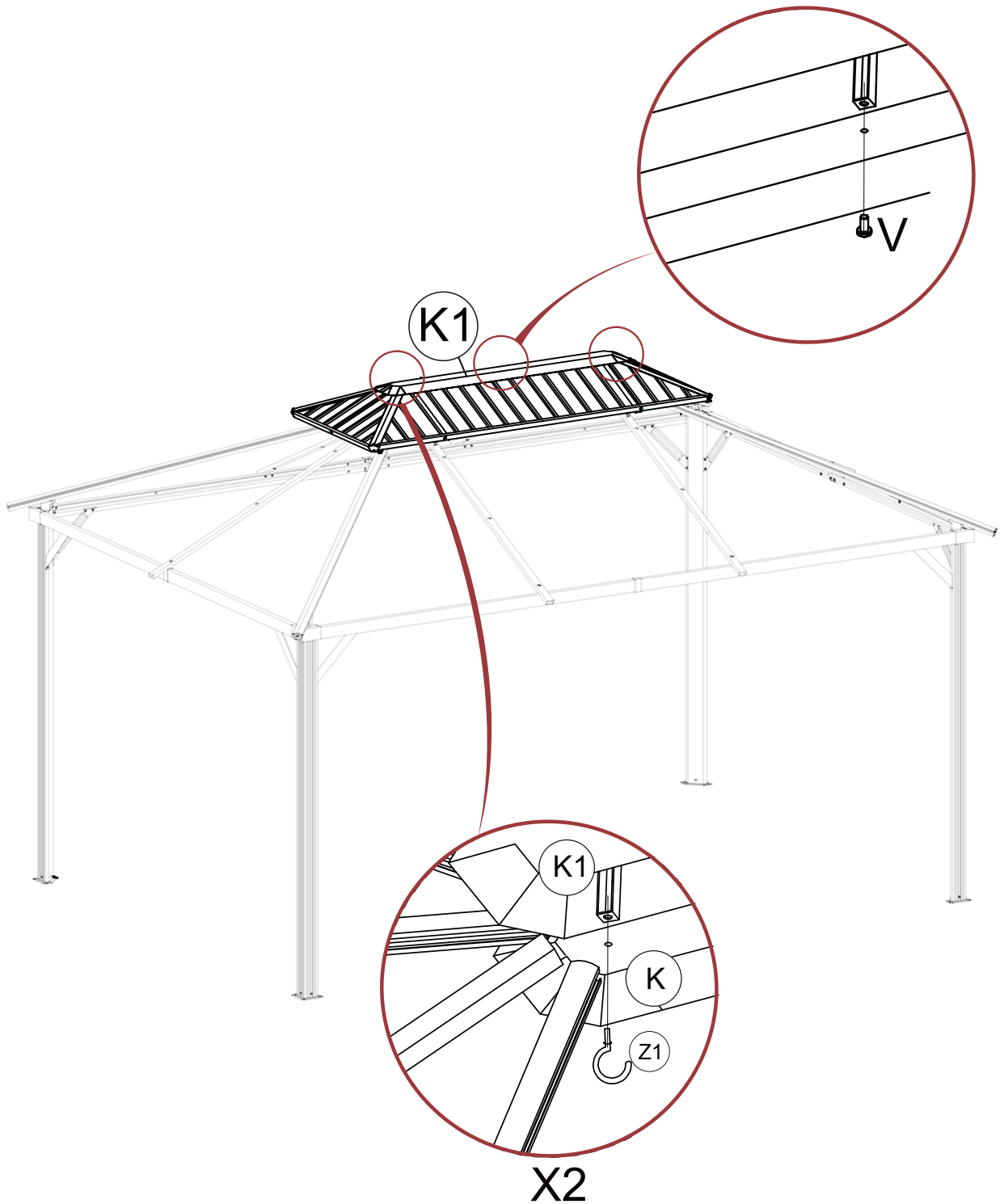
1. Press the edges of **1** and **2** together and insert them into the D1 card slot;
2. Press the edges of **2**, **4**, and **1** together and insert them into the D1 card slot;



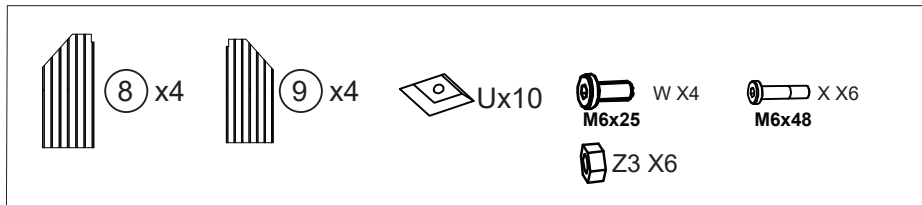
STEP 15: Install the crossbeam



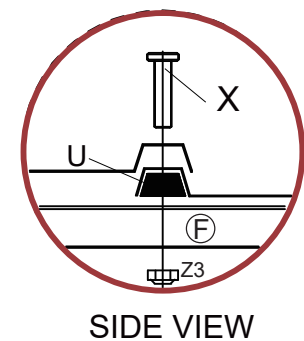
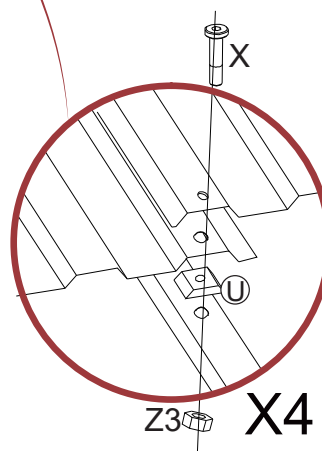
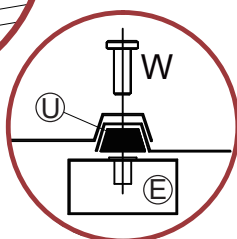
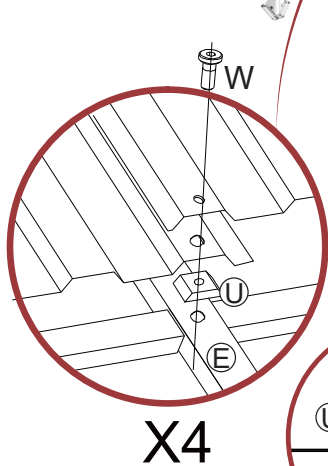
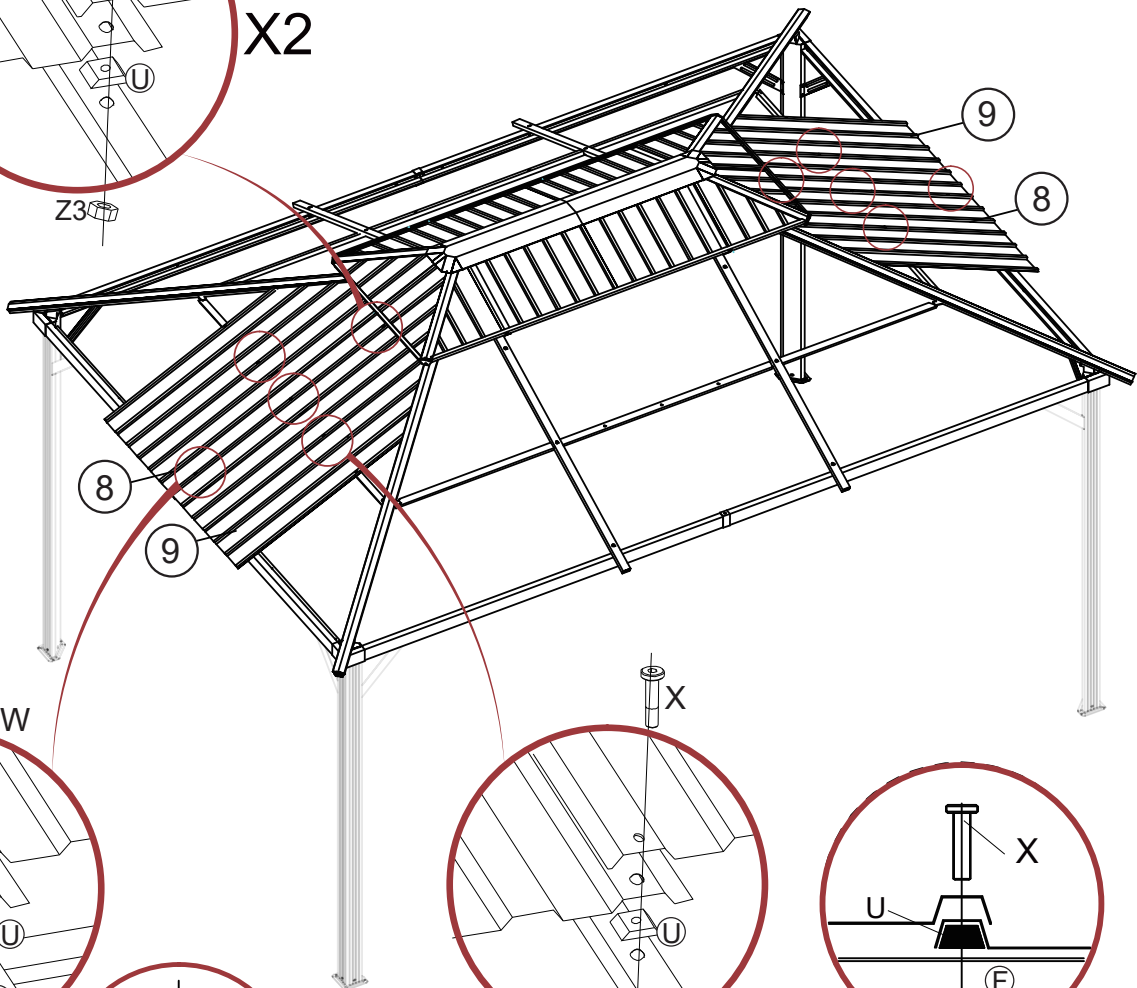
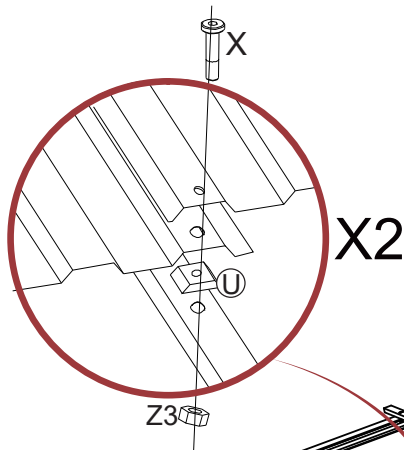
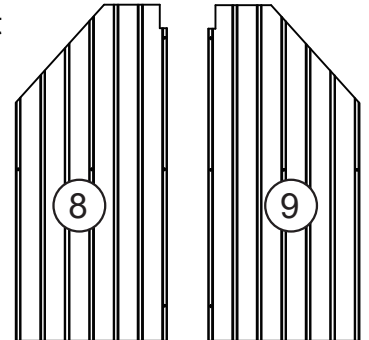
1. Connect to bottom pieces K and bottom pieces K1 using hook Z1 (2pcs) with screw V (1pcs).



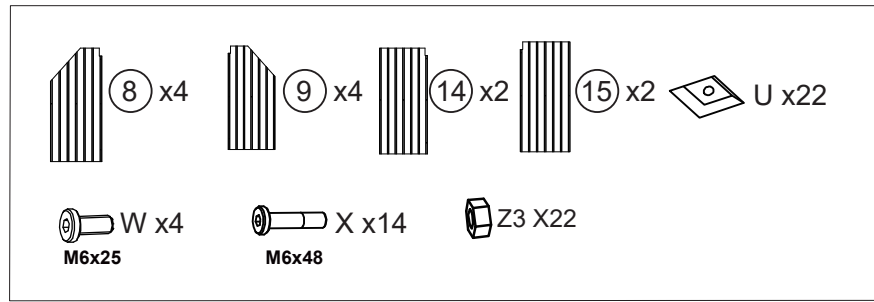
STEP 17: Install the crossbeam



1. Press the edges of (2pcs) and (2pcs) together and insert into the D slot
2. Use X(2pcs) to pass through the hole position at the top of the overlapping area of and , place U(2pcs) on it, and fix it on E together with Z3(2pcs).
3. Use W(4pcs) to pass through the hole at the lowest part of the overlapping area of and , and then place a U (4pcs) to fix it on top of E;

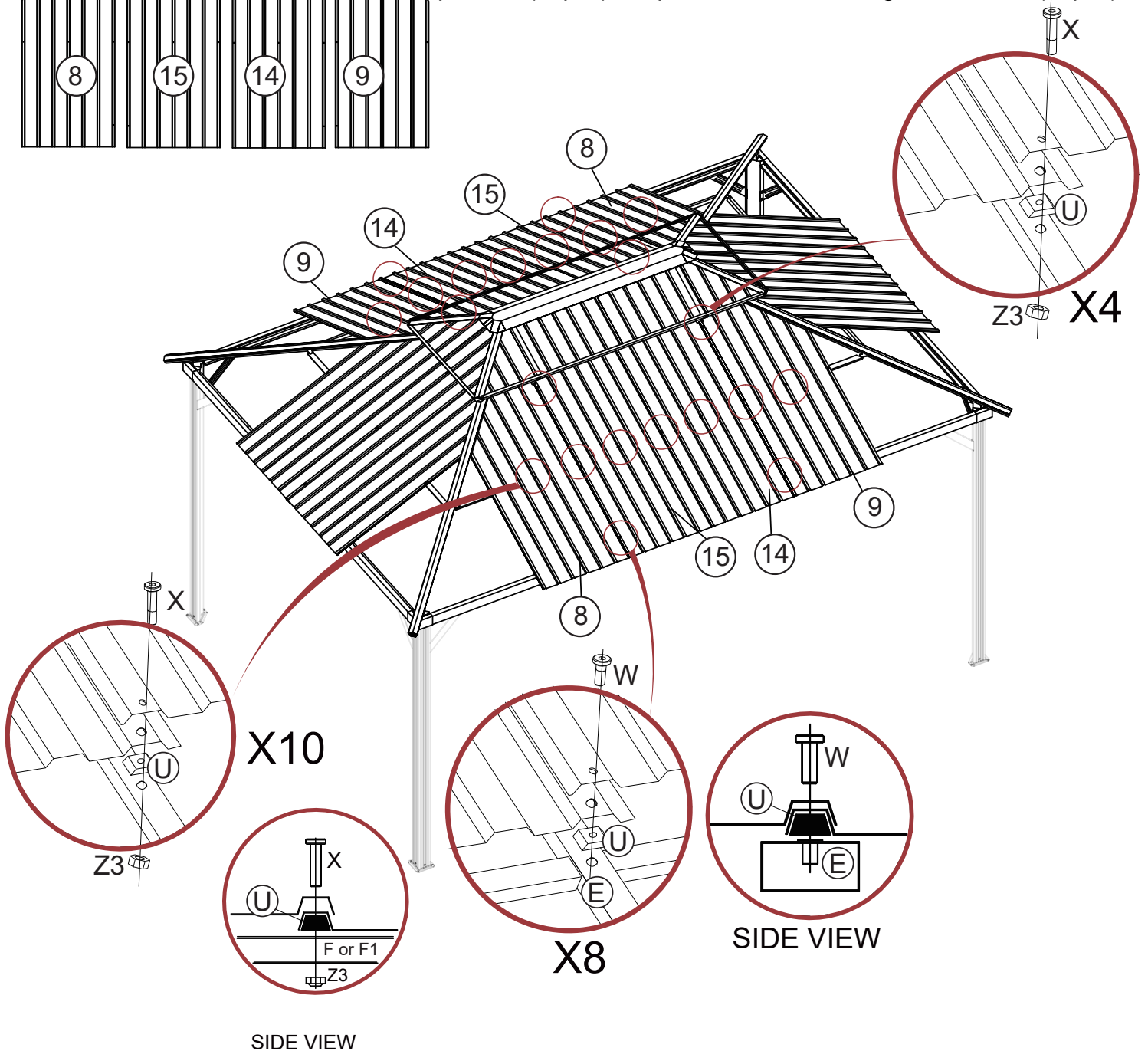
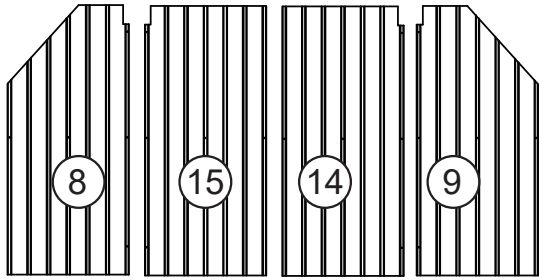


STEP 18: Install the crossbeam

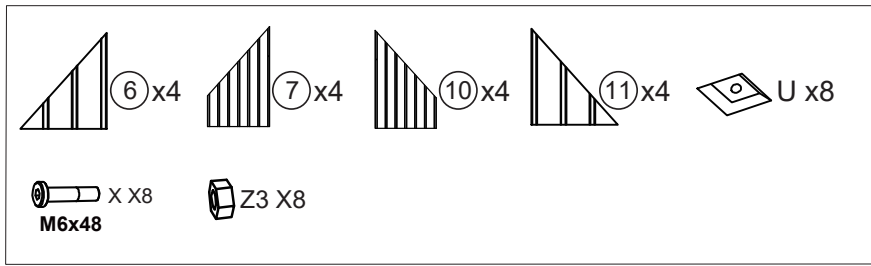


1. Press the edges of / / // (in the order shown in the diagram) together ;

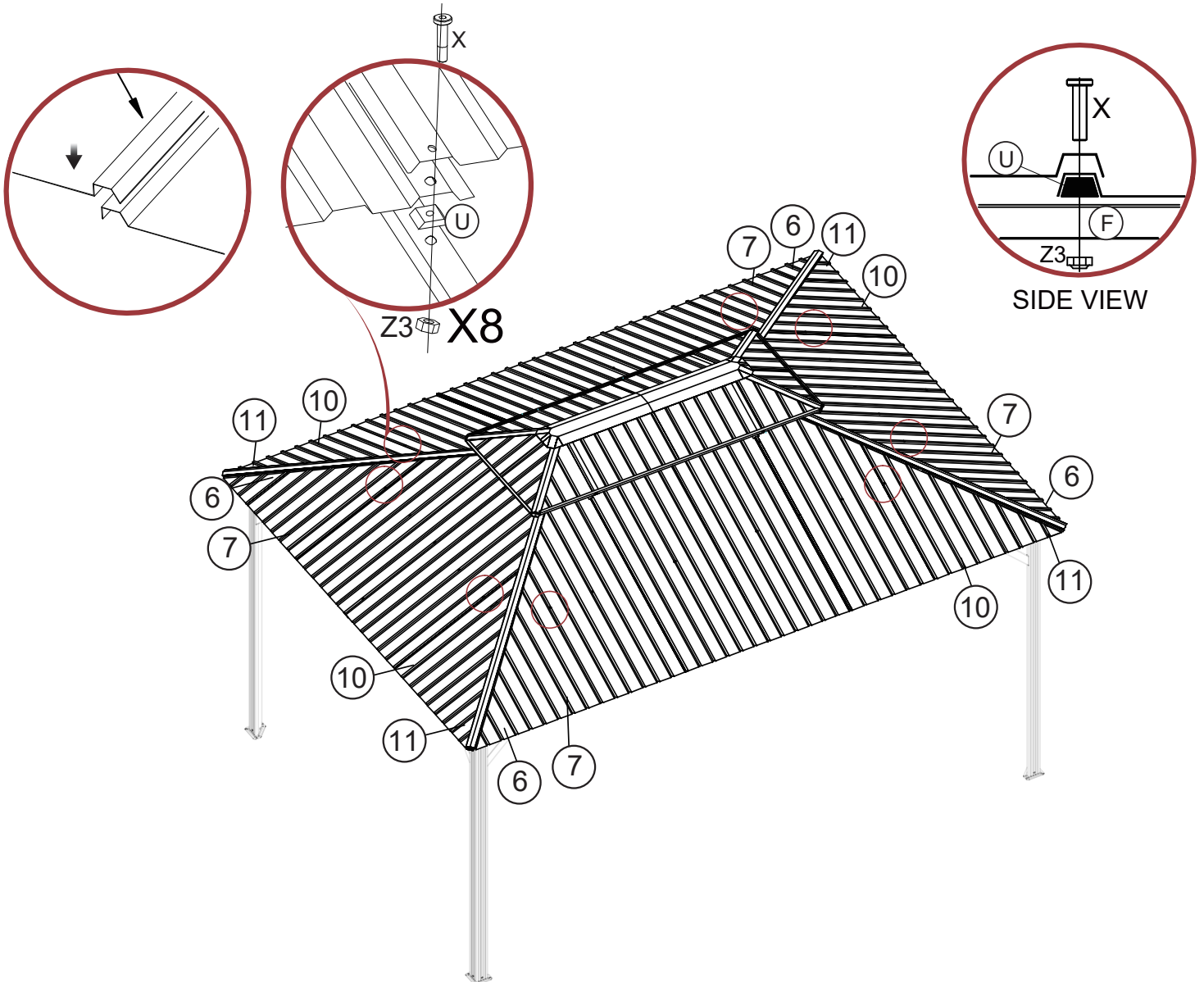
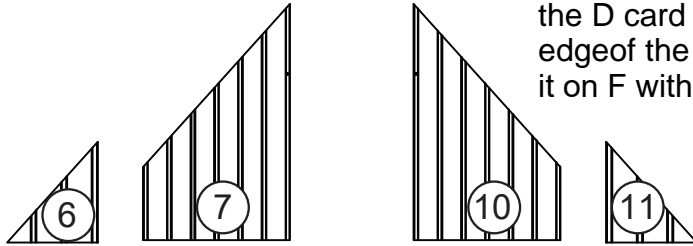
2. Use W(4pcs) to pass through the hole at the lowest part of the overlapping area of and , and then place a U (4pcs) to fix it on top of E; 3. Use X (10pcs) to pass through the overlapping holes, place U (10pcs) on top, and fix it on F/E together with Z3(10pcs);



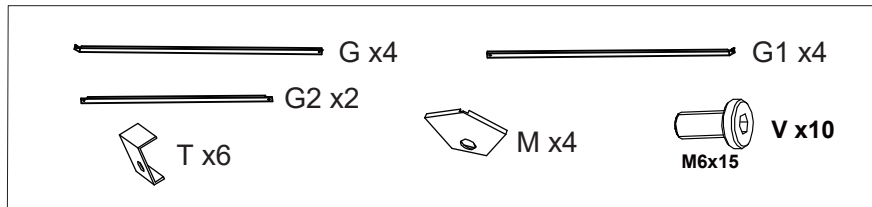
STEP 19: Install the crossbeam



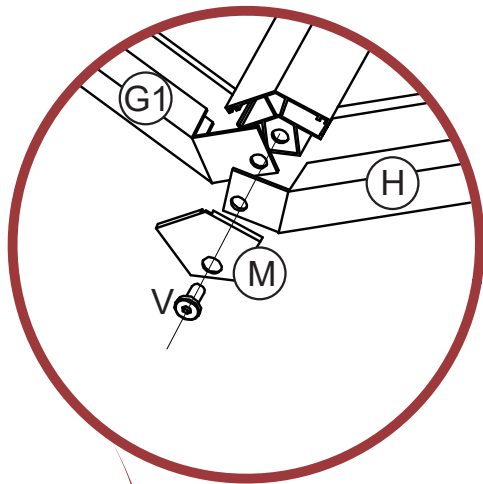
1. Insert (4pcs) / (4pcs) / (4pcs) / (4pcs) into the D card slot. 2. Pass X (12pcs) through the overlapping edge of the iron sheet, then place U (12pcs) on top and fix it on F with Z3 (12pcs) .



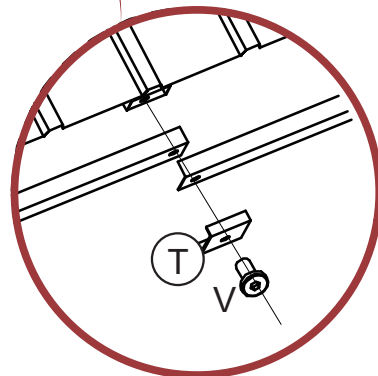
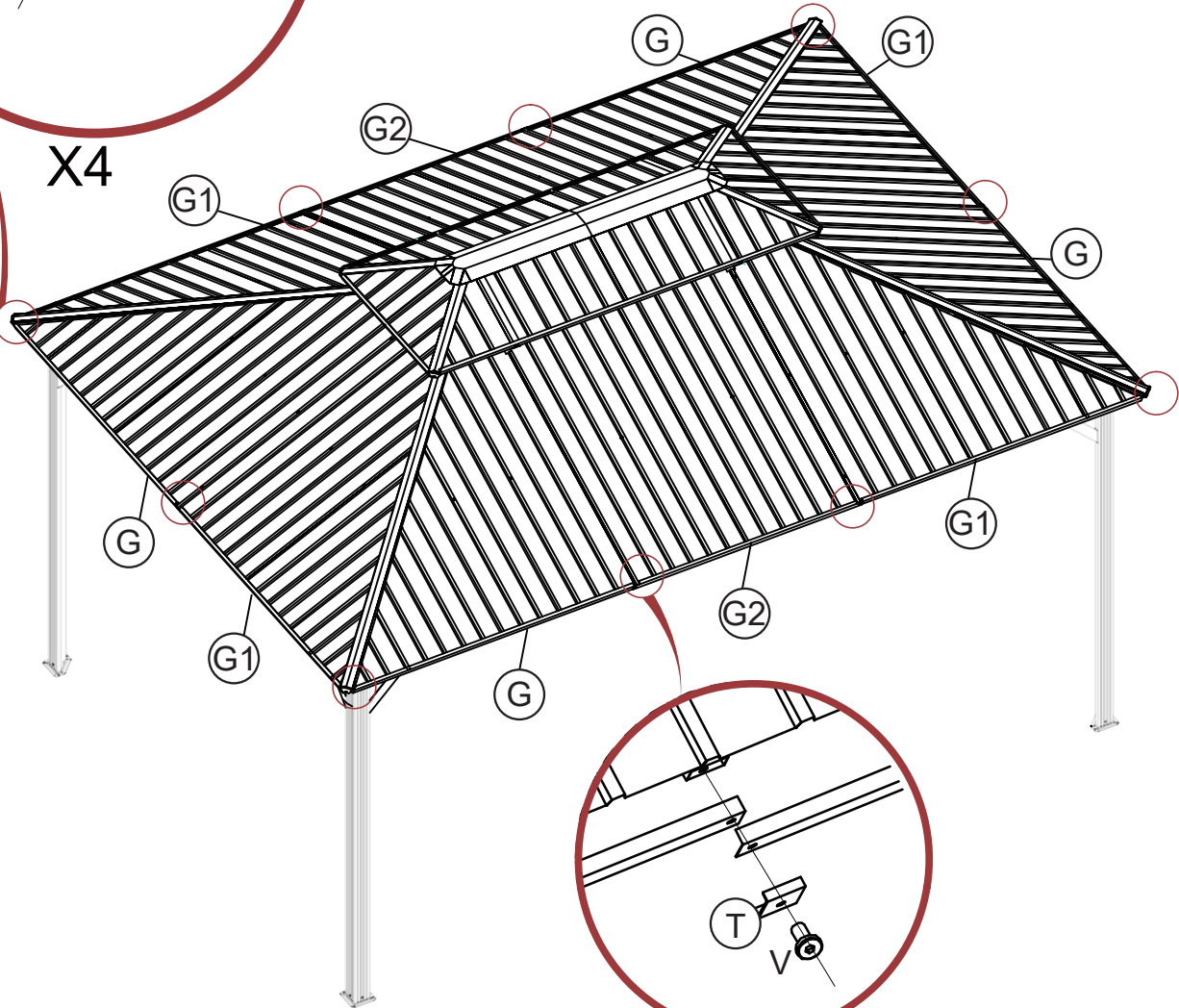
STEP 20: Install the crossbeam



1. Insert the G/G1/G2(4pcs) cards into the edge of the iron tile, overlap the middle part with T(6pcs), and fix it on E with V(6pcs).
2. Overlap the two G/G1 folded edges at the four corners, put on M (4pcs) , and fix it on D with V (4pcs) ;

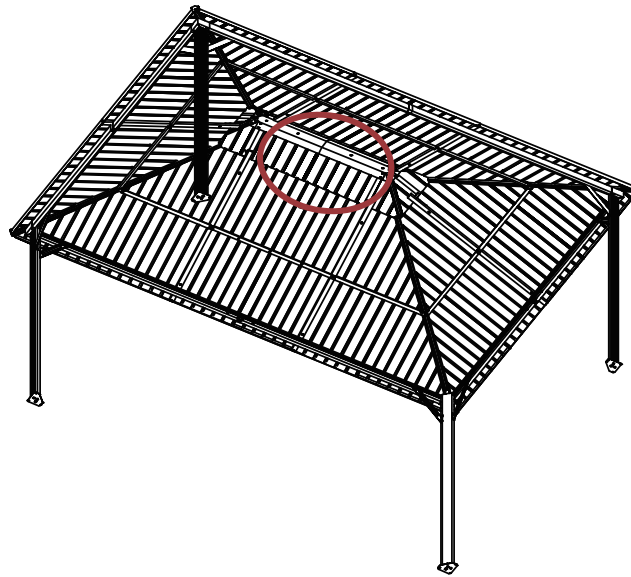
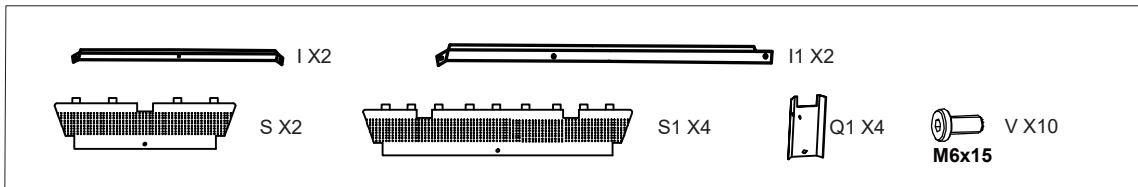


X4



X6

STEP 21: Install the crossbeam

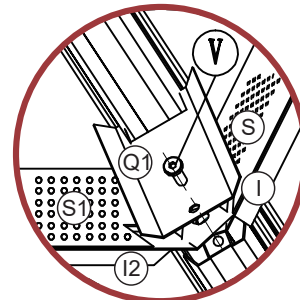
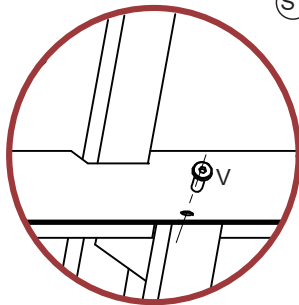
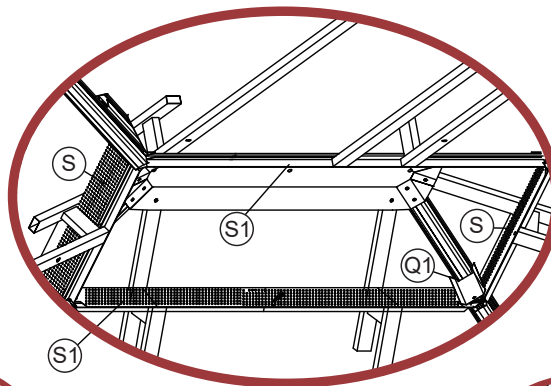
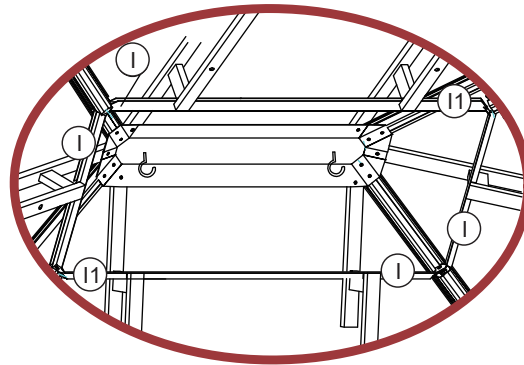


1. Inside the gazebo, insert the I card into the edge above the roof.

2. Stack S on top of I, and use V to pass through the middle hole of S/I and fix it on.

3. Stack S1 on top of I, and use V to pass through the middle hole of S1/I1/I2 and fix it on E.

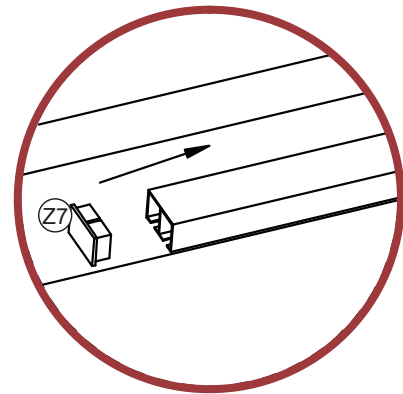
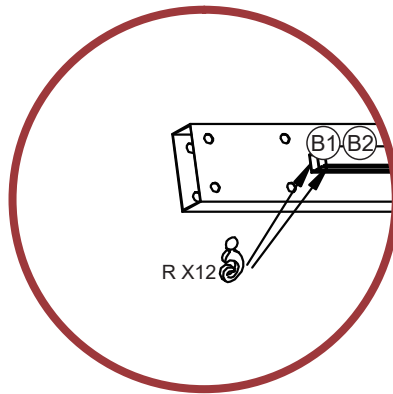
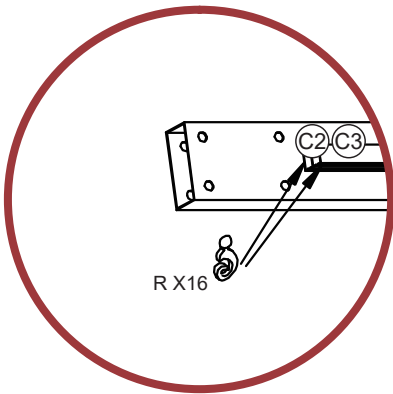
4. Place Q1 at the overlapping position of the four corners of I, and fix it to D with screws V (10 pcs);



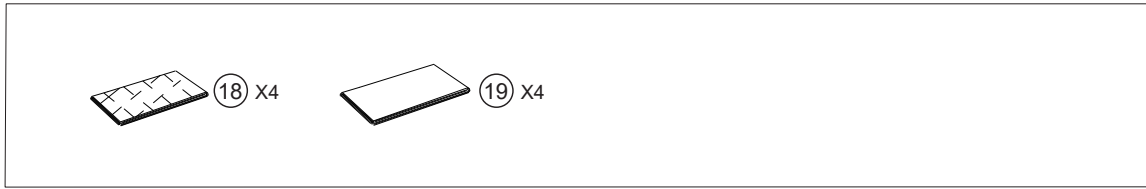
STEP 22: Install the crossbeam



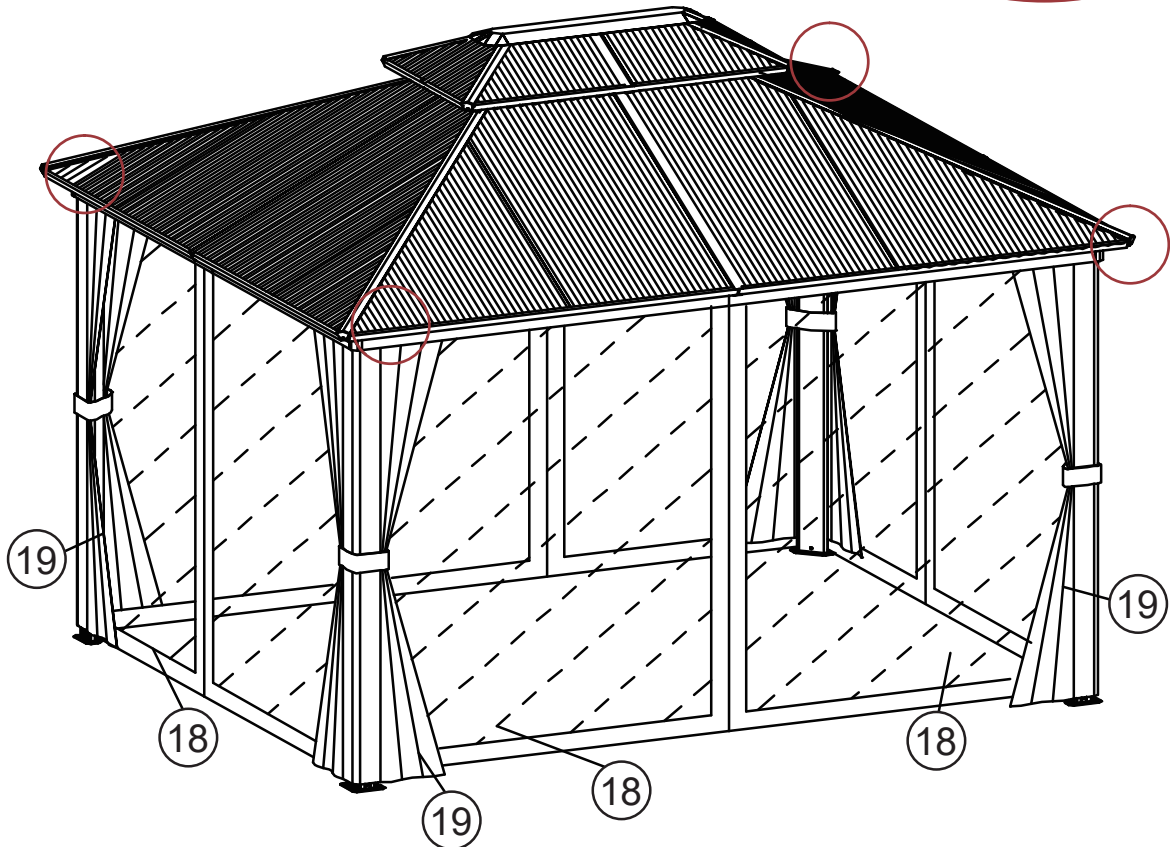
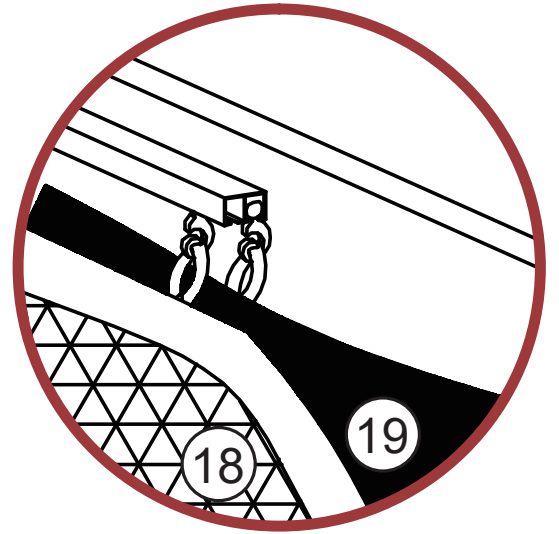
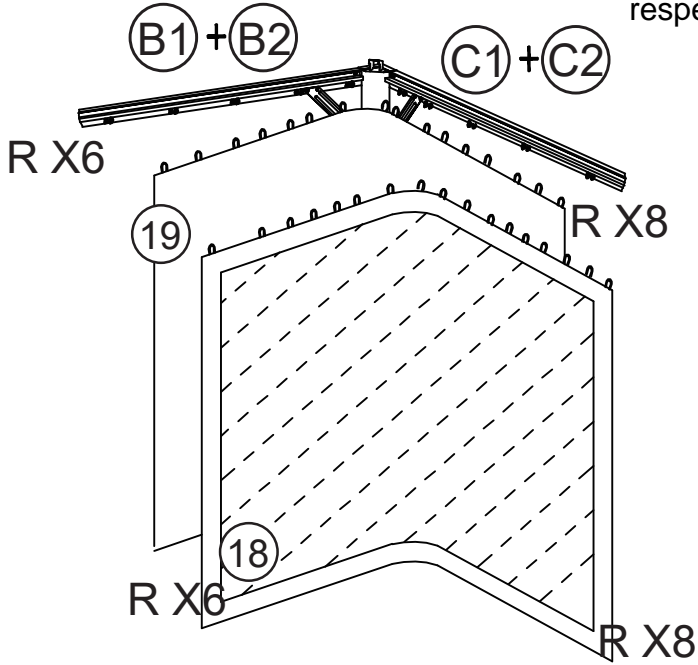
1. Thread R(112s) into the two cloth curtain tracks of C3/C4/B1/B2 and Knock Z7 (8pcs) into the cloth curtain track port;



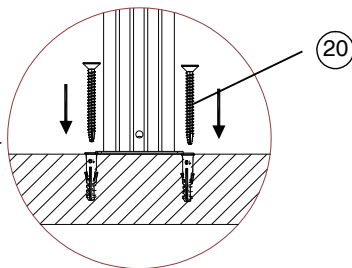
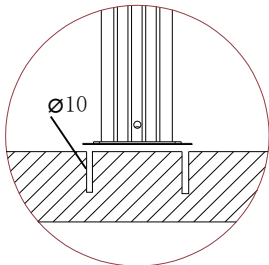
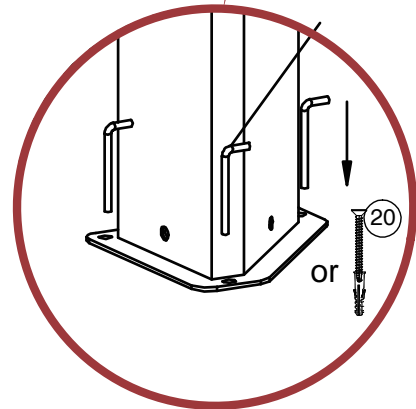
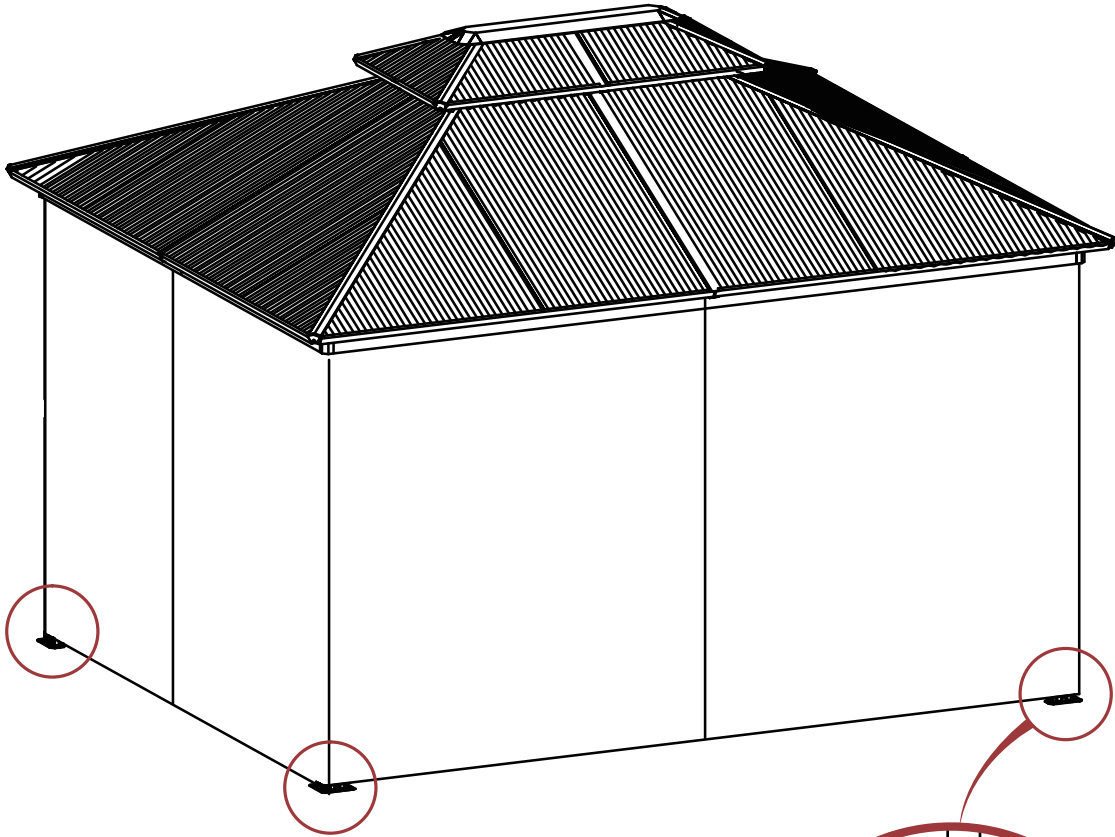
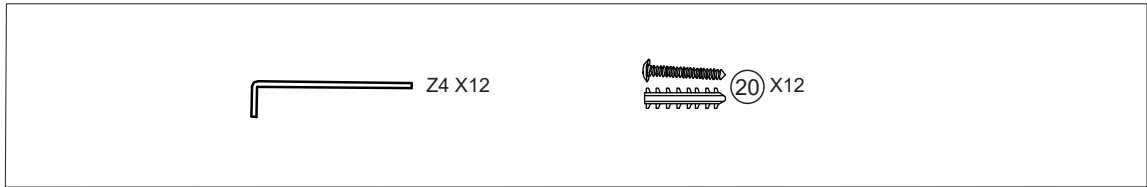
STEP 23: Install the crossbeam



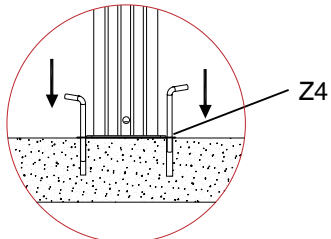
Hang 18(4pcs) and 19(4pcs) on the crossbeam through R respectively



STEP 24: Install the crossbeam



OR



The Z4 (12pcs) ground nail fastener can be used in garden soil terrain, and the expansion screw (12pcs) can be used in concrete terrain, requiring the use of a 10 bit drill to drill holes