

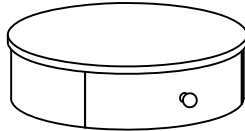
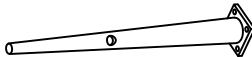
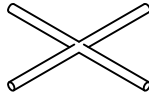



## CARE AND MAINTENANCE

Wipe clean with a soft, dry cloth. The seat board can be cleaned with a mild cleaner. Test the cleaning method on a hidden area before using them over the entire area.

## NOTICE

- \* Please make sure that you have all parts indicated before you begin assembly of this item.
- \* This item should be assembled on a soft surface to prevent scratching the finished product during assembly.
- \* This item may require periodic tightening.
- \* Do not tighten bolts until completely assembled.

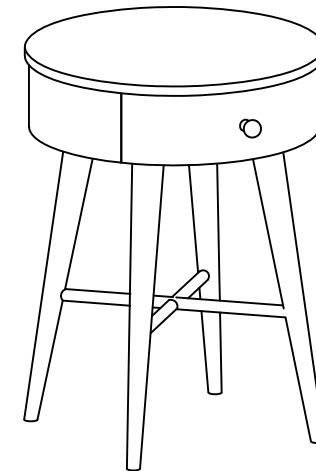
### Part List and Hardware List

PIECE	DESCRIPTION	PICTURE	QUANTITY
A	Drawer		1 X
B	Leg		4 X
C	Cross Bar		1 X
HW1	Hex Socket Bolt 1/4"-20 x 1"		16 X
HW2	Allen Key M4		1 X
HW3	Anti-Tip Hardware		1 X

 **SAFAVIEH**  
FURNITURE

Model# NST6406

Product Dimensions: 18"D x 24"H



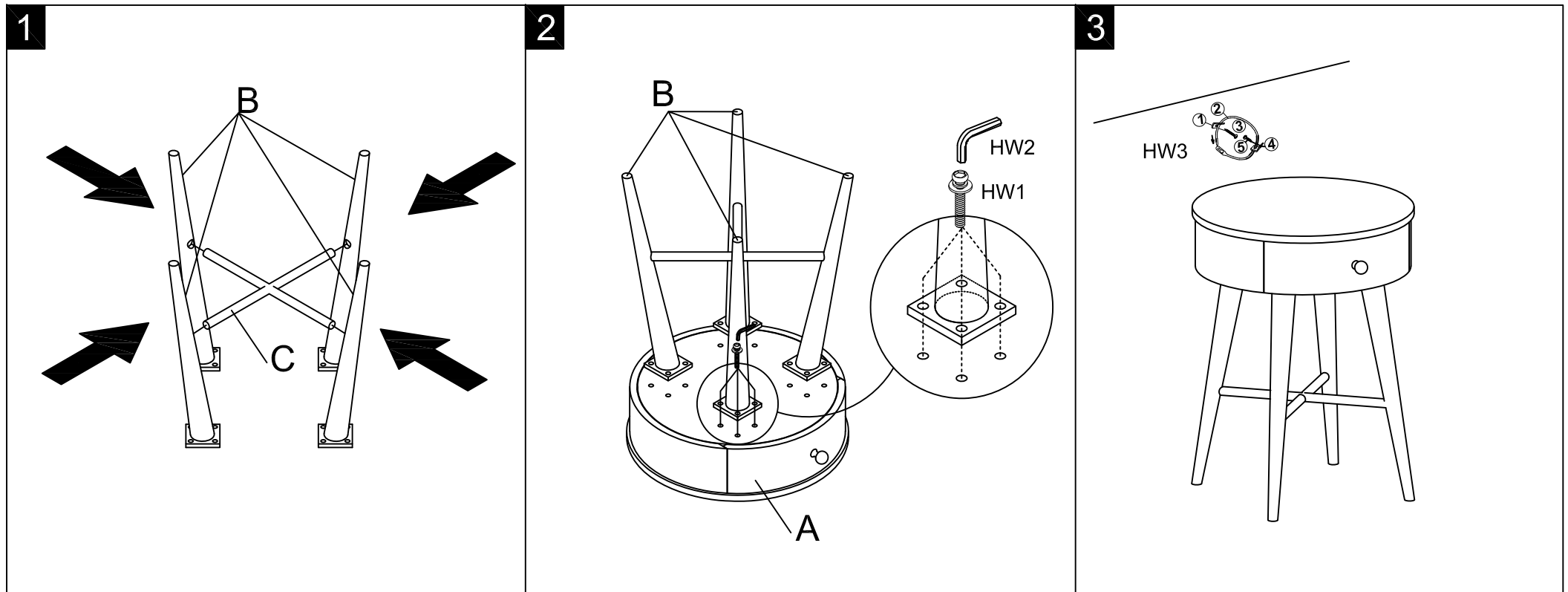
Weight Capacity : 25 lbs on top of the product  
Warning : Do not stand on the product  
Warning : Do not over torque bolts

## PREPARATION

Before beginning assembly of product, make sure all parts are present. Compare parts with package contents list and hardware contents list. If any part is missing or damaged, do not attempt to assemble the product.

Estimated Assembly Time:20 minutes.

Tools Required for Assembly (included):Allen Key.



### Step 1

Insert the Cross Bar (C) into the hole in the 4\*Legs (B).

### Step 2

Attach the assembled base frame(step1) to the bottom side of Drawer (A), And use the Allen Key (HW2) to lock with 16\*Hex Socket Bolts (HW1), as picture.

### Step 3

Straighten up the assembled product. Following the installation instructions of anti-tipping (HW3) to fix the product in the wall by strap. Assembly is completed.