

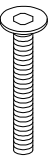
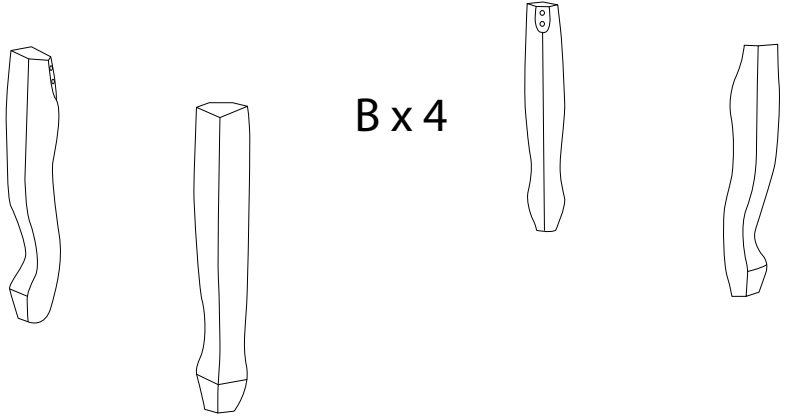
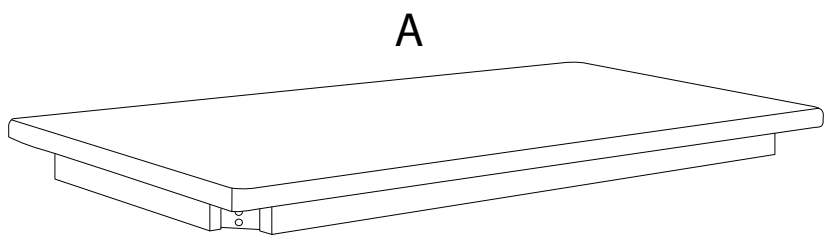


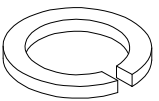
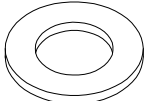
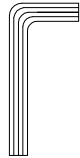


Diagram illustrating assembly instructions and safety warnings:



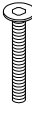
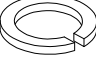


- Warning 1:** A warning triangle with an exclamation mark is positioned above a box containing:
 - An icon of an L-shaped bracket.
 - An icon of a power drill with a diagonal line through it, indicating that a power drill should not be used.
- Warning 2:** A second warning triangle with an exclamation mark is positioned above a box containing:
 - An icon of a rectangular block being placed on a textured surface.
 - An icon of a rectangular block with a diagonal line through it, indicating that the block should not be placed on a soft or uneven surface.
- Time:** A clock icon is shown next to the text "15'", indicating a 15-minute assembly time.
- Person:** An icon of a person is shown next to the number "1", indicating that one person is required for assembly.

<p>A</p>  <p>x 1</p>	<p>B</p>  <p>x 4</p>	<p>1</p>  <p>M6 x 50</p> <p>x 8</p>
---	---	--



<p>2</p>  <p>x 8</p>	<p>3</p>  <p>x 8</p>	<p>4</p>  <p>x 1</p>
---	---	---

1

<p>A</p>  <p>x 1</p>	<p>B</p>  <p>x 4</p>	<p>1</p>  <p>M6 x 50 x 8</p>	<p>2</p>  <p>x 8</p>	<p>3</p>  <p>x 8</p>	<p>4</p>  <p>x 1</p>
---	---	---	--	---	---

