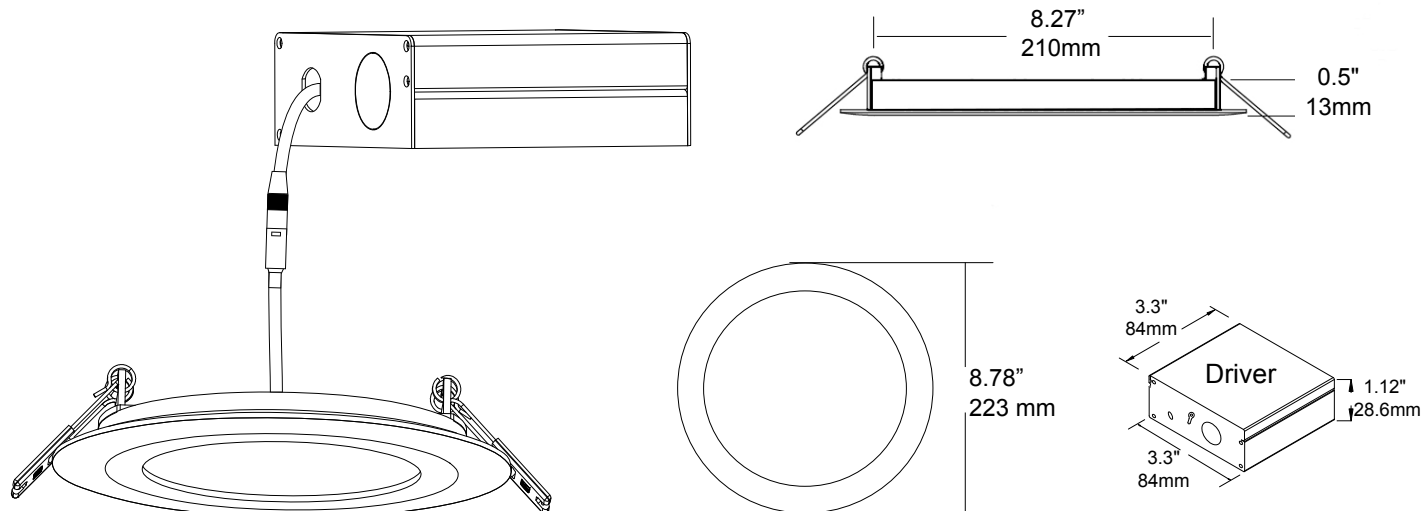


8", 15 watts Thin-line LED Down Light. Designed for retrofit and new construction, damp and wet locations, Thin Line Downlights are a versatile and affordable choice for countless applications.



## Features

- Energy Star rated - up to 80% energy savings
- Dimmable to 5% with most standard dimmers
- Available in standard power and high power versions
- 120° beam spread
- Warm White and Neutral White colour temperatures
- Two spring loaded clips to attach to any ceiling material
- 4 trim finishes available
- Standard Power suitable for damp and wet location
- No IC can required, for direct contact with insulation and combustible materials
- Connects directly to 120V power supply
- Optional 347V Step-Down Transformer
- 50,000 hour life
- 5 year limited warranty
- Airtight
- cETLus and Energy Star listed

## Specifications

LED Colour	White
CTT	WW (3000K) NW (4000K)
Input Voltage	100 - 120V, 60Hz
Output Power(W)	15 Watts
No. SMD2835 LEDs	60
Lumen (lm)	1032 (WW) 1059 (NW)
CRI	>80
Luminous Efficacy (lm/W)	69lm/w (WW) 71lm/w (NW)
Approved Location	Damp / Wet
Dimmable	Yes
Life Span	> 50,000 hrs
Appearance Size	8.78" W x 0.5" D (223mm W x 13mm D)
Installation Hole Size	8.27" (210mm)

## Ordering Code:

LVLDL-08 -  -  - R - L

**LED Colour**

**WW** (Warm White 3000K)  
**NW** (Natural White 4000K)

**Trim Finish**

**WH** = White Gloss Enamel  
**BK** = Black  
**BZ** = Bronze  
**BN** = Brushed Nickel

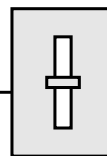
Project		Type	
Date		Contact	
Notes			



# Thin-Line LED Down Light

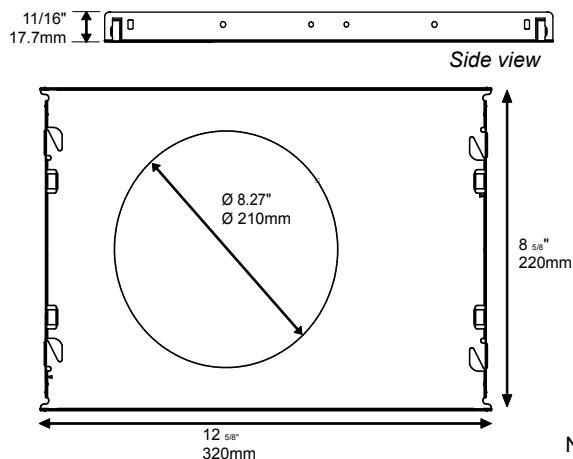


DIMMABLE



8", 15 watts Thin-line LED Down Light. Designed for retrofit and new construction, damp and wet locations, Thin Line Downlights are a versatile and affordable choice for countless applications.

## LVLDL-08-NCH (Base plate / Hanger Bar) Assembly for new construction



Note: this item is sold separately.

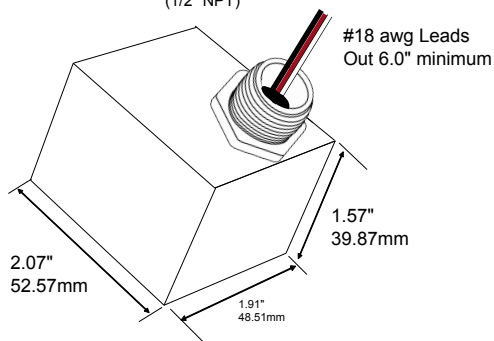
## Compatible dimmers

Dimmable to 5% with most standard dimmers

Compatible dimmers	
Lutron	C.L™ Dimmers
	DVELV-300
	SELV-3600P
	NTELV-300/600
	MAELV-300/600
Leviton	MRF2-6ND-120
	VPE04
	6615
	VPE06
	VRE06
	6672
	6674
	IPE04



Approx. Dimensions  
 - 0.47" heads above  
 - 0.13" shoulder  
 - Nipple Dia. 0.82"  
 (1/2" NPT)



## 347V Specifications

Primary / Input	347V, 60Hz, 28W, 0.08A @ Full / Rated Load.
Secondary / Output	- Open Circuit = 130V ±2%, 0.4W - Full / Rated Load = 115V ±2%, 25VA (25W/ 0.22A resistive load)
Dielectric Strength	Winding to core 3000V, 60Hz, 1 sec.
Efficiency	88% typ. @ 347Vin, 25VA load.
Insulation System	Class A (105°C)
Environmental Temperature Rating	-20°C to + 40°C
MTBF (based on MIL Handbook 217F)	50 years @ rated specification.
Housing	Black Zytel FR50 (plastic)
Approvals	UL Listed to CSA C22.2 No. 66.1, 66.2 and UL5085-1, UL5085-2
Weight	0.75lbs.



[www.magiclite.com](http://www.magiclite.com)

905-825-9592  
888-945-5483

905-825-8334

[lights@magiclite.com](mailto:lights@magiclite.com)