

POT FILLER FAUCETS

2317400

1.8GPM 6.8L/min

unit:inch(mm)

You may need



For easy installation of your faucet you will need:

To READ ALL the instructions completely before beginning.

To READ ALL warnings, care, and maintenance information.

Application

Faucet are designed for delivering cold water from a main supply. Faucet can be positioned above sinks or stoves and the articulated nature of the spout enables the outlet to be conveniently positioned above pots / pans as required.

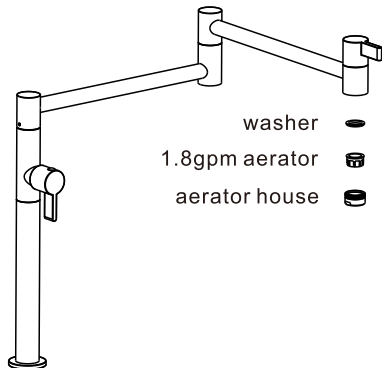
Installation

Note:
When installing on plasterboard walls (not solid walls) it must be assured that an appropriate reinforcement is in place to ensure sufficient strength.

Flush pipes thoroughly!

Cleaning and Care

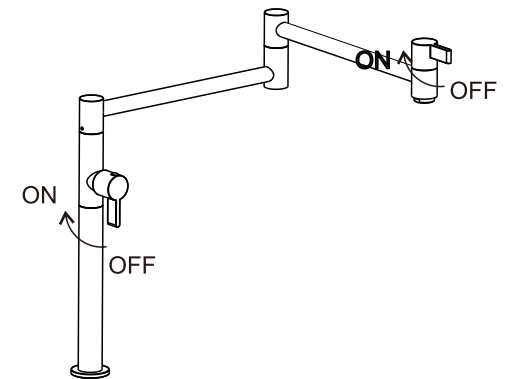
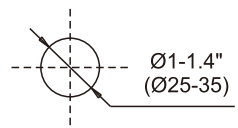
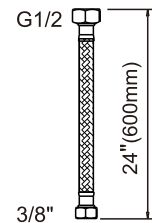
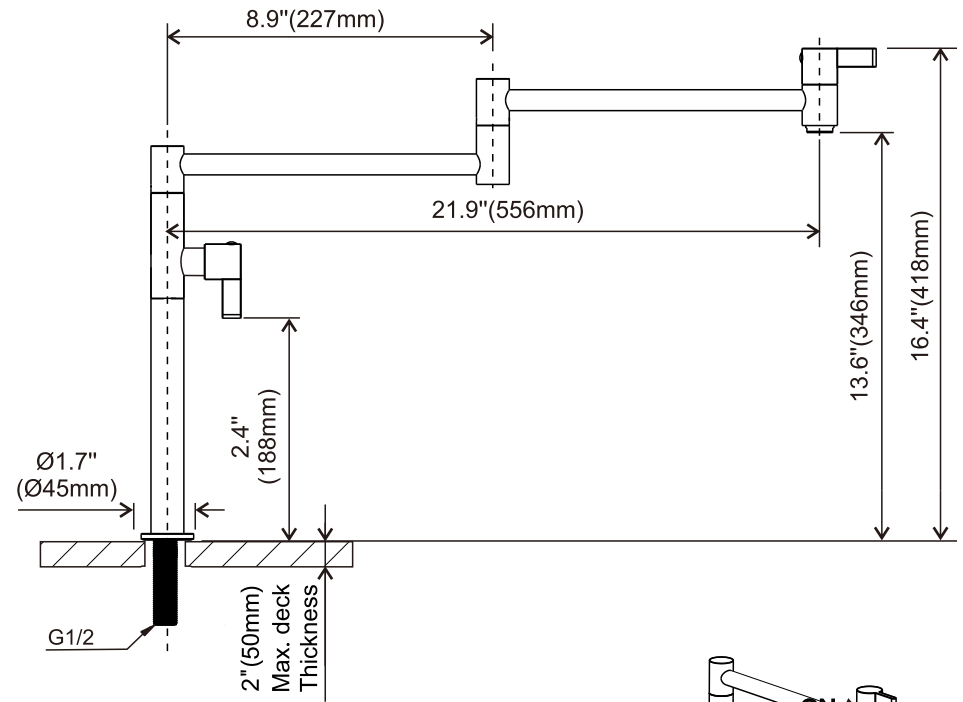
Care should be given to the cleaning of this product. Although its finish is extremely durable, it can be damaged by harsh abrasives or polish. To clean, simply wipe gently with a damp cloth and blot dry with a soft towel.



- washer ●
- 1.8gpm aerator ●
- aerator house ●

With 1.8 gpm are compliant with California water efficiency regulations, Complies with California Proposition 65 and with the Federal Safe Drinking Water Act.

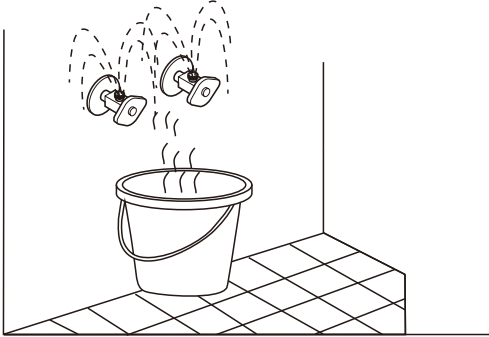
In areas with extremely low water pressure causing the faucet water flow to be unsatisfactory, replace the aerator to improve the water flow in the faucet.



Notice:

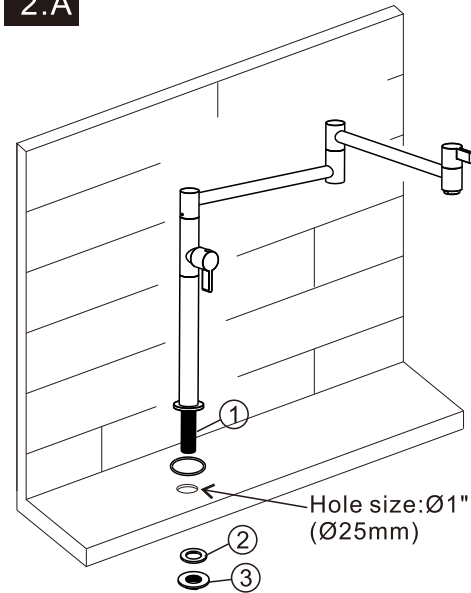
Cold water connection only
Simple on/off control by rotating handle 90 (1/4 turn)
Shut off both handle cartridges when not in use or left unattended. Improper use or inadequate drainage below faucet may cause water damage.

Notice Before installing the valves, clean the water pipe thoroughly to avoid dirt and deposits.



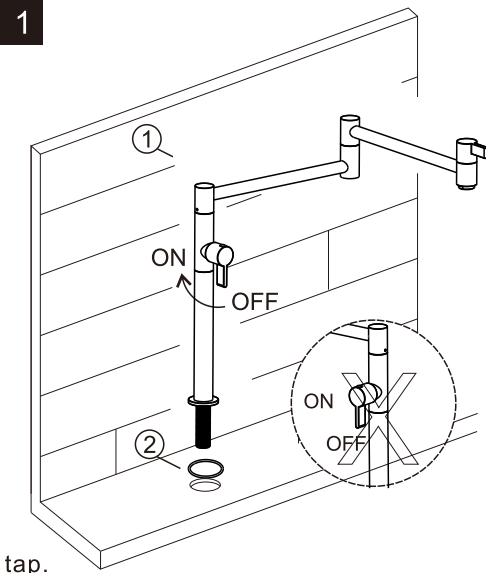
1. Make sure attach the O-ring(2) to the faucet body.
2. Handle stick must point at right when close, turn the handle 90° clockwise to open the tap. Correct installation will avoid the stick touching wall.

2.A

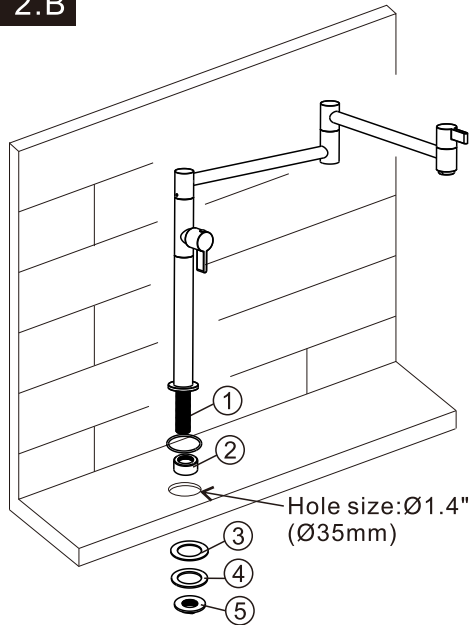


1. Place washer(2) over mounting stud under sink.
2. Screw hexagonal lock nut (3) on to threaded rod (1) and tighten.

1

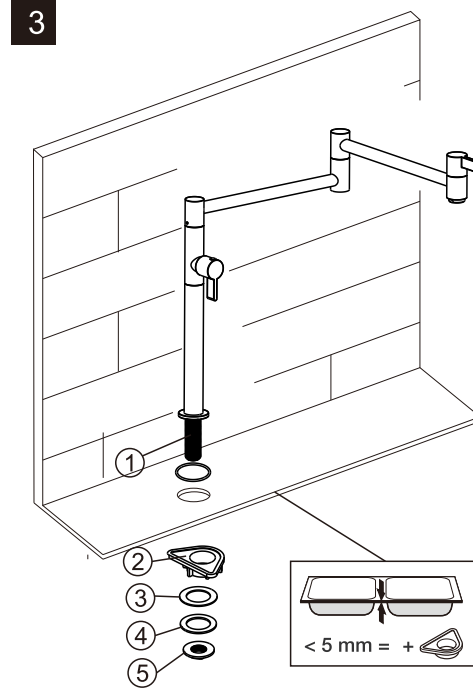


2.B



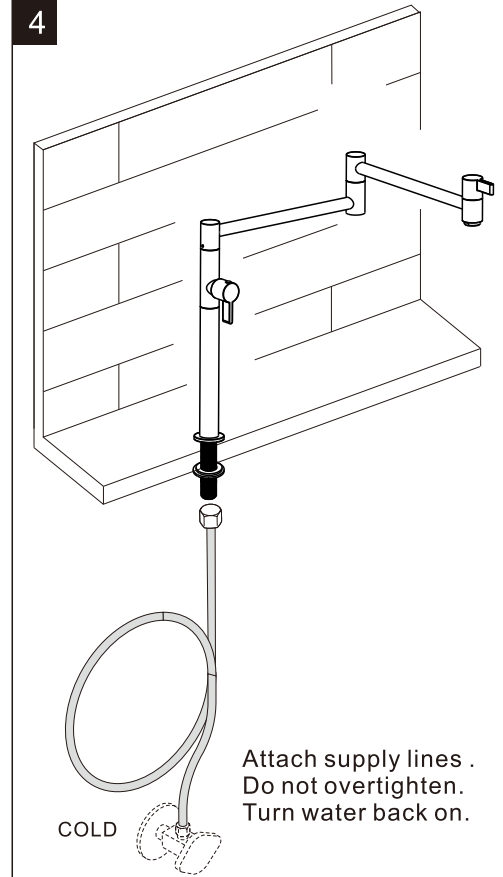
1. When the sink hole size is Ø35mm, please tighten the fixing nut (2) to the thread rod (1) and keep it horizontal with the counter.
3. Place washer(3) and metal plate(4) over mounting stud under sink.
4. Screw hexagonal lock nut (5) on to threaded rod (1) and tighten.

3



1. Use the triangle fastener(2) when the thickness of sink <5mm.
2. Place Triangle fastener(2) and washer(3) and metal plate(4) over mounting stud(1) under sink. Secure with mounting nut(5).

4



Attach supply lines. Do not over-tighten. Turn water back on.

5

Remove aerator (1) and turn faucet handles (2) to the full on position. Turn on cold water supplies and flush water lines for one minute. Important: This flushes away any debris that could cause damage to internal parts. Check all connections at arrow for leaks. Re-tighten if necessary, but do not over-tighten.

