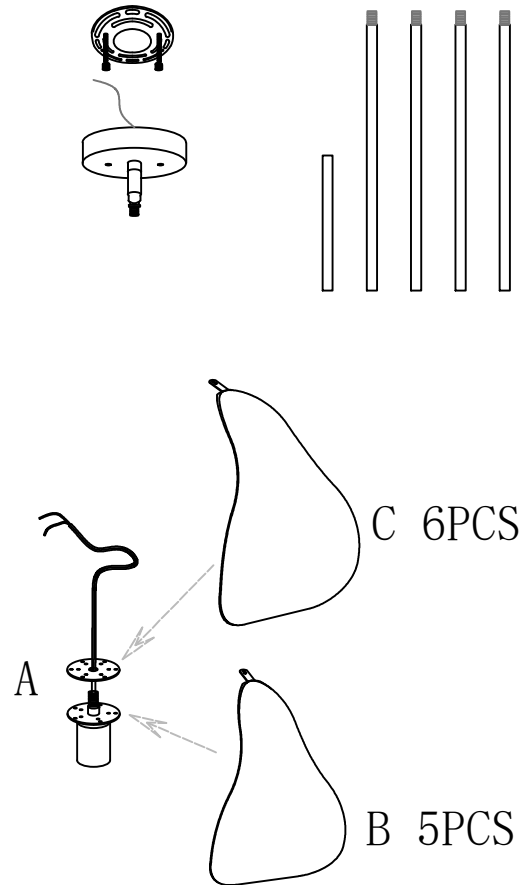
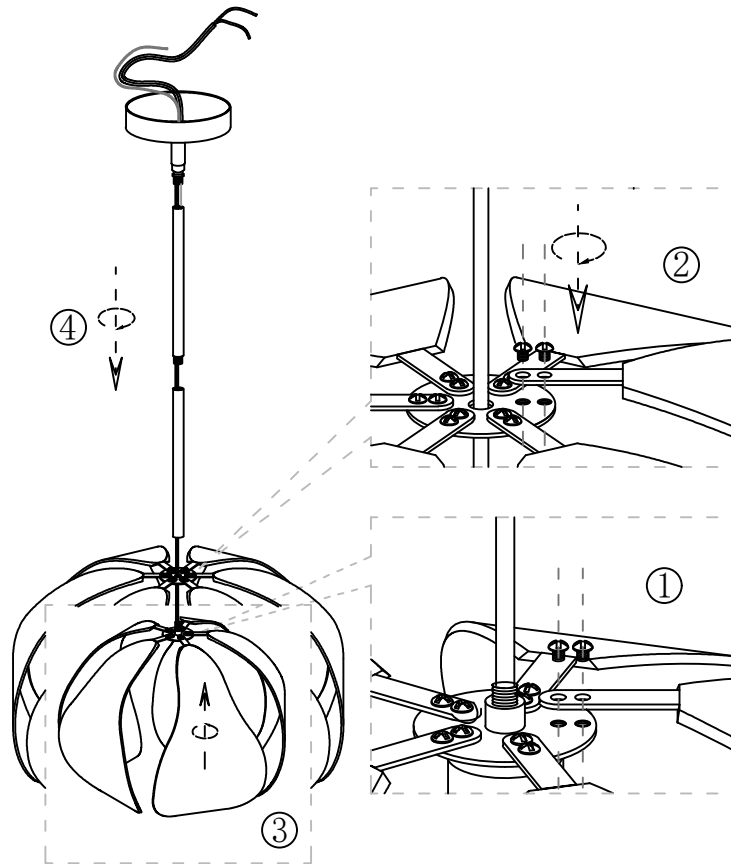


Parts

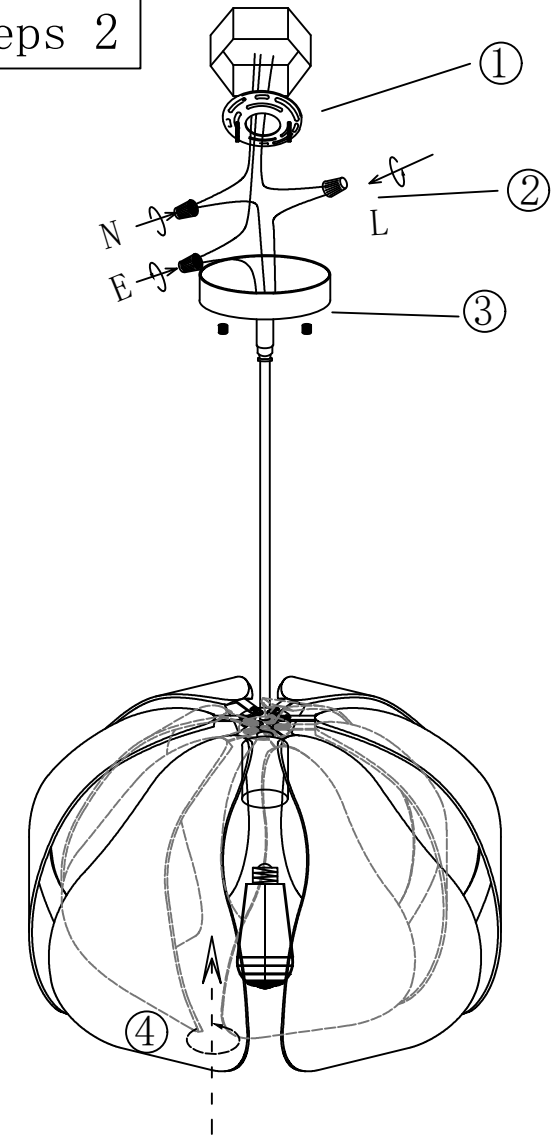


Steps 1



1. Install the short shape B to the down plate which with 10 holes of the fixture with screws.
2. Install the long shape C to the top plate which with 12 holes of the fixture with screws.
3. Rotate to install the two layers lampshades to the fixture.
4. Let the wire of light fixture go through the hanging tubes and canopy, rotate to install all of them to the fixture. (can connect more tubes to get the height you need)

Steps 2



1. Install the bracket to the ceiling junction box with screws.
2. Connect the wire to the home line with cap connectors.
3. Install the fixture to the bracket with cap nuts.
4. Install the bulbs. (bulb is not included in the package)