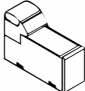



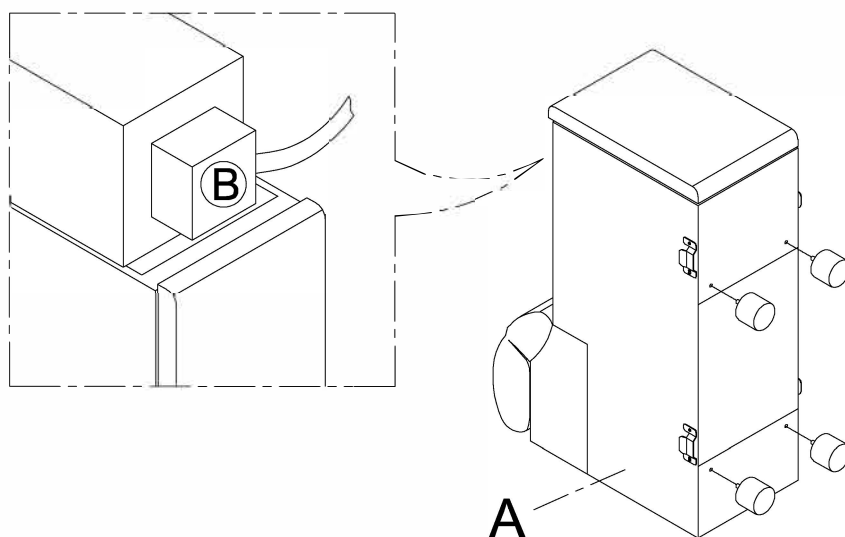
ASSEMBLY INSTRUCTION

Console

NO.	PARTS LIST	QTY	DESCRIPTION
A		1	CONSOLE

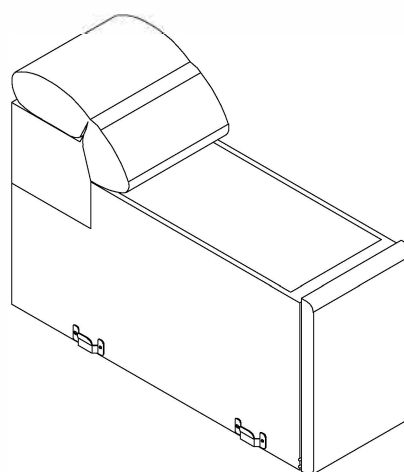
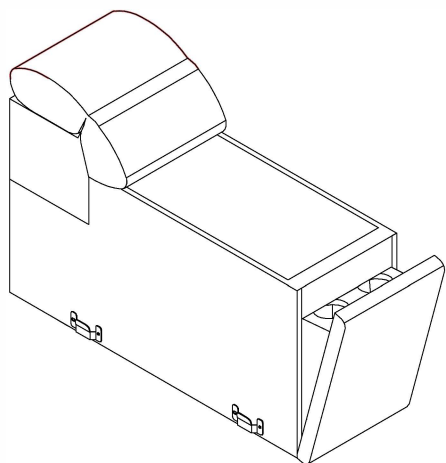
NO.	PARTS LIST	QTY	DESCRIPTION
B	 Ø60*50MM	4	PLASTIC LEG

STEP 1 : Leg box is attached on empty box which put on console top ,
Take out legs to assemble.



STEP 2 (Hidden cup holders):

STEP 3 (Completed) :



CARE INSTRUCTION CHENILLE FURNITURE

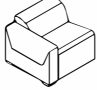
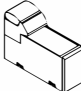

In order to maintain the original appearance of your chenille furniture, please follow below simple care procedures.


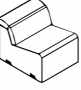
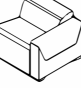
- Avoid exposing furniture directly to sunlight or heating and air conditioning outlets. Exposure to sunlight or heating and air conditioning outlets will fade/damage chenille .

- Wipe gently with a damp soft cloth to remove dust , dirt and any grime build up.

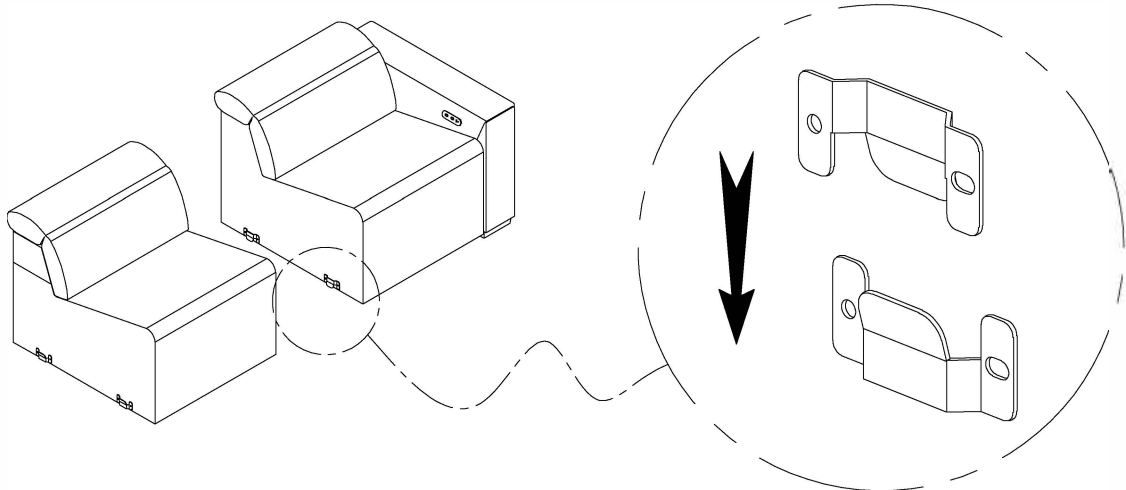
ASSEMBLY INSTRUCTION

Console

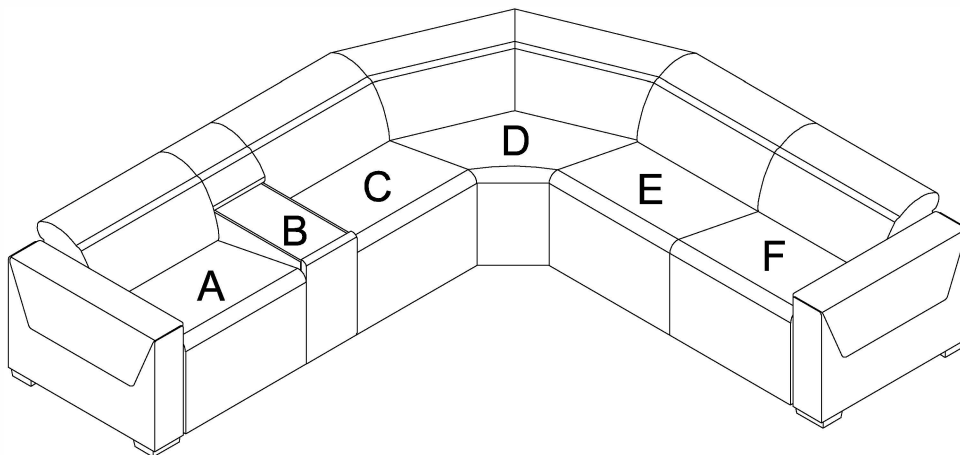
NO.	PARTS LIST	QTY	DESCRIPTION
A		1	Power Left Side Reclining Chair
B		1	Console
C		1	Power Armless Reclining Chair

NO.	PARTS LIST	QTY	DESCRIPTION
D		1	Corner Seat
E		1	Armless Chair
F		1	Power Right Side Reclining Chair

STEP 1 : Assemble each seat.



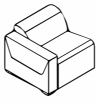

STEP 2 (Completed) :



ASSEMBLY INSTRUCTION

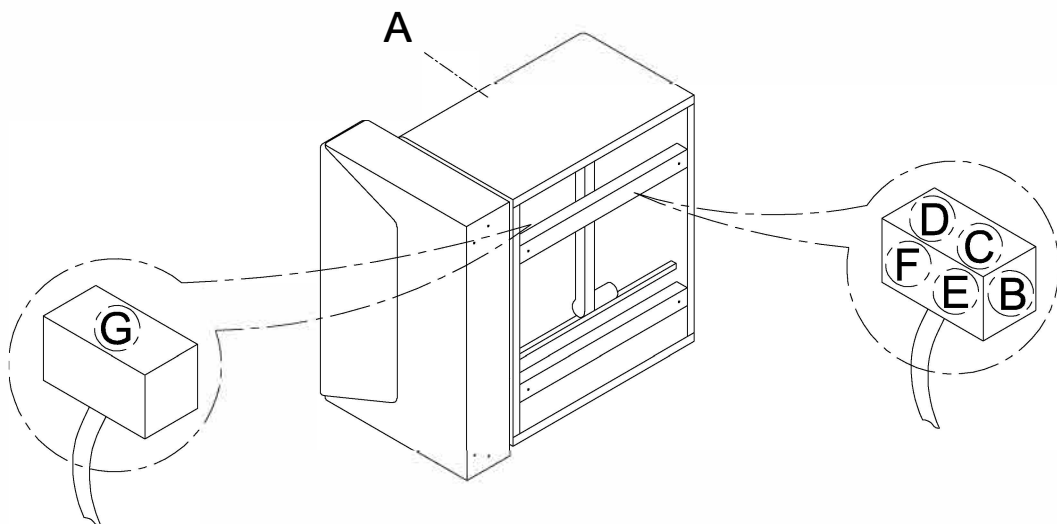
Power Left Side Reclining Chair with Power Headrest, Charging Ports

LEGS AND HARDWARE ARE STORED IN THE BOTTOM OF THE SEAT, PLEASE TAKE OUT FOR ASSEMBLY.

NO.	PARTS LIST	QTY	DESCRIPTION
A		1	LSF-RECLINER
G		1	PLUG WITH WIRE

NO.	PARTS LIST	QTY	DESCRIPTION
B	 Ø60*50MM	4	PLASTIC LEG
C	 183*130*45MM	1	FRONT WOODEN LEG
D	 183*130*45MM	1	REAR WOODEN LEG
E	 M8*60MM	4	ALLEN BOLT
F	 M5*100*38mm	1	ALLEN KEY

STEP 1 : Take out leg box and hardware box for assembly.



CARE INSTRUCTION CHENILLE FURNITURE

In order to maintain the original appearance of your chenille furniture, please follow below simple care procedures.

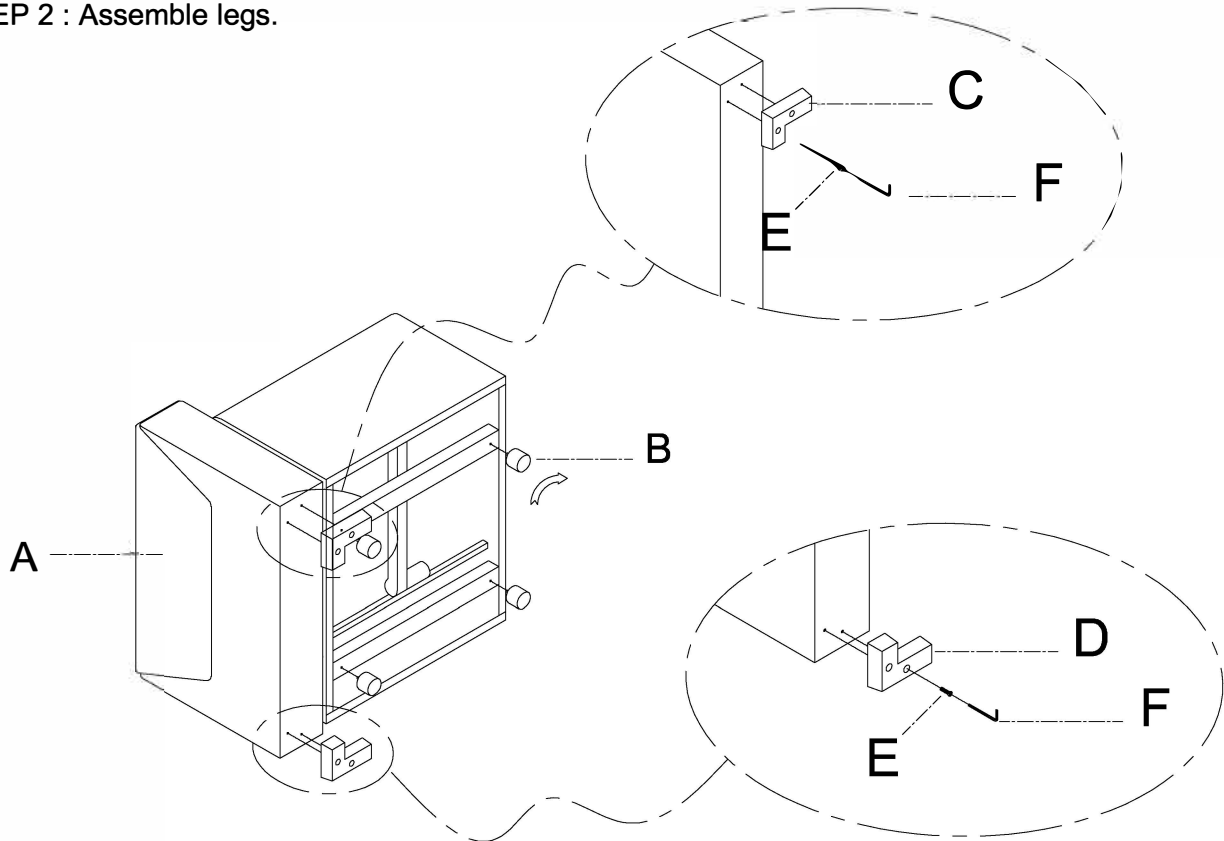
- Avoid exposing furniture directly to sunlight or heating and air conditioning outlets. Exposure to sunlight or heating and air conditioning outlets will fade/damage chenille .

- Wipe gently with a damp soft cloth to remove dust , dirt and any grime build up.

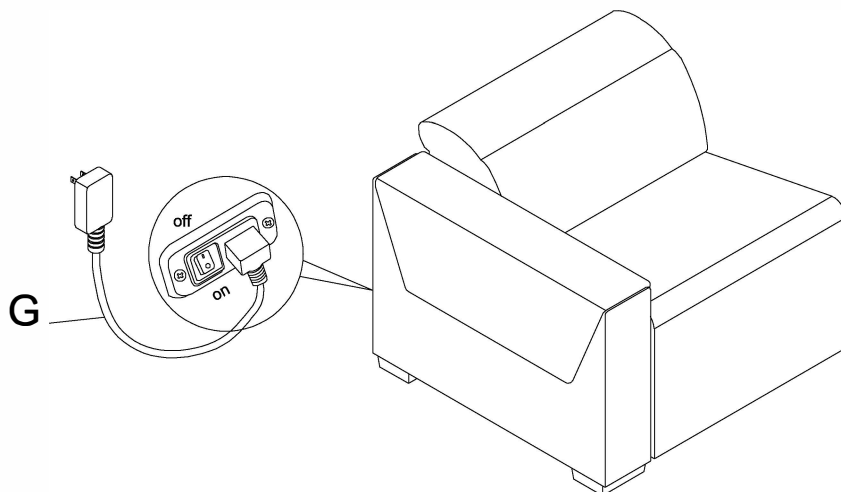
ASSEMBLY INSTRUCTION

Power Left Side Reclining Chair with Power Headrest, Charging Ports

STEP 2 : Assemble legs.



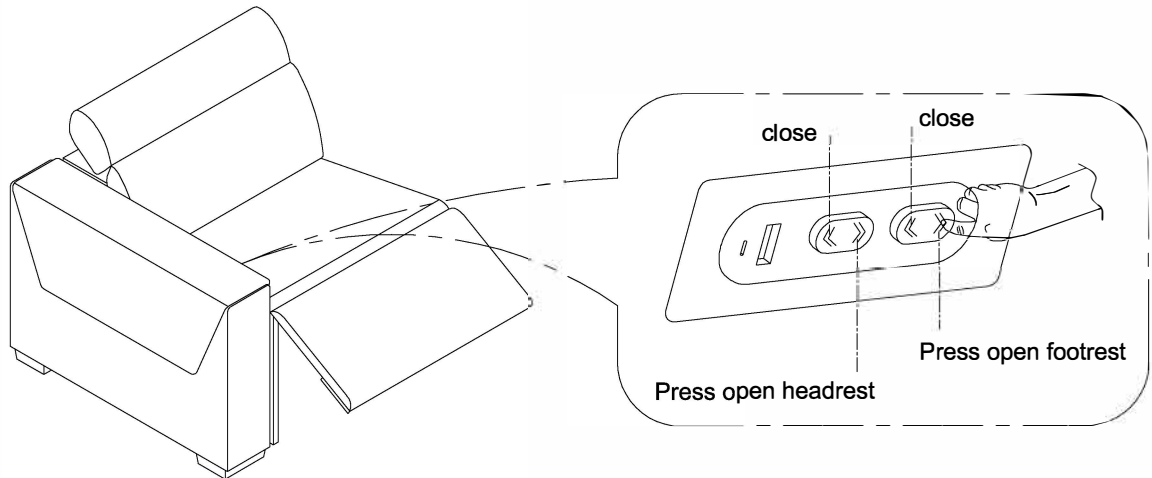
STEP 3 (Completed) :



ASSEMBLY INSTRUCTION

Power Left Side Reclining Chair with Power Headrest, Charging Ports

STEP 4:



● CARE INSTRUCTION FOR POLYESTER:

In order to maintain the original appearance of your polyester furniture, please follow below simple care procedure.

- Avoid exposing furniture directly to sunlight or heating and air conditioning outlets. Exposure to sunlight or heating and air conditioning outlets will fade/damage polyester.
- Wipe gently with a damp soft cloth to remove dust, dirt and any grime build up.

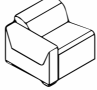
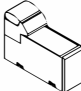





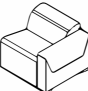
WARNING

- Disconnect the electrical plug from the wall outlet before cleaning, moving, serving or when not in use for an extended period of time.
- Plug directly into a wall outlet. Do not use an extension cord or adaptor.
- Check the condition of the power transformers, electrical cords, plugs and connectors monthly. Keep the power adaptor and electrical cords away from heat sources. Never operate the unit with a damaged power adaptor, electrical cord, plug or connector.
- Before moving the product, please disconnect the electrical plug from the wall outlet and secure the mechanism to prevent unexpected opening or movement. Never move the product by the mechanism, legrest, or reclining back.
- Do not attempt to disassemble or service the adaptor or motor. No serviceable parts are inside.
- Do not allow electrical cord to be pinched between moving parts or between the frame and the floor. Do not place cord under carpet or in location where it could become worn.
- Unplug the power cord immediately if you detect strange odors or fumes coming from the chair.

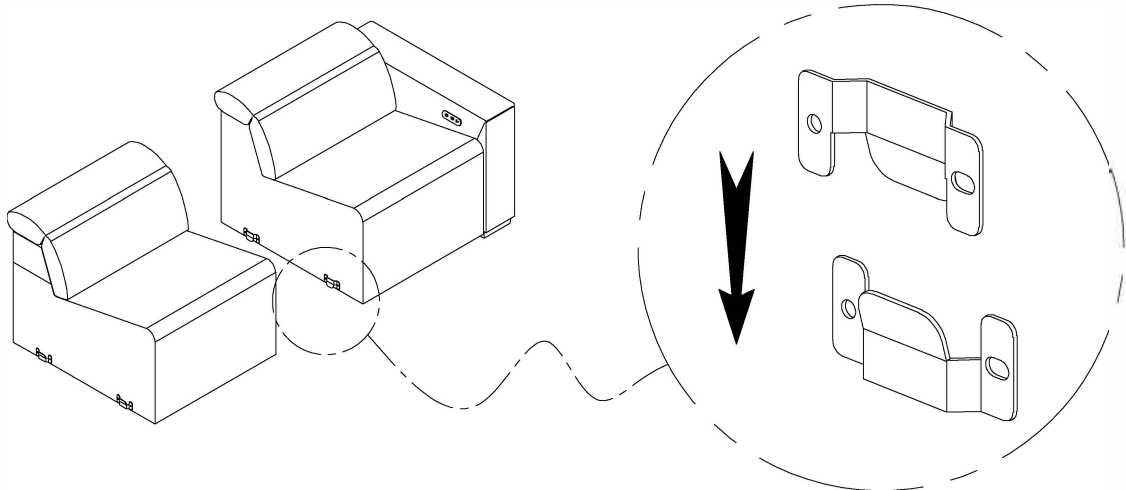
ASSEMBLY INSTRUCTION

Power Left Side Reclining Chair with Power Headrest, Charging Ports

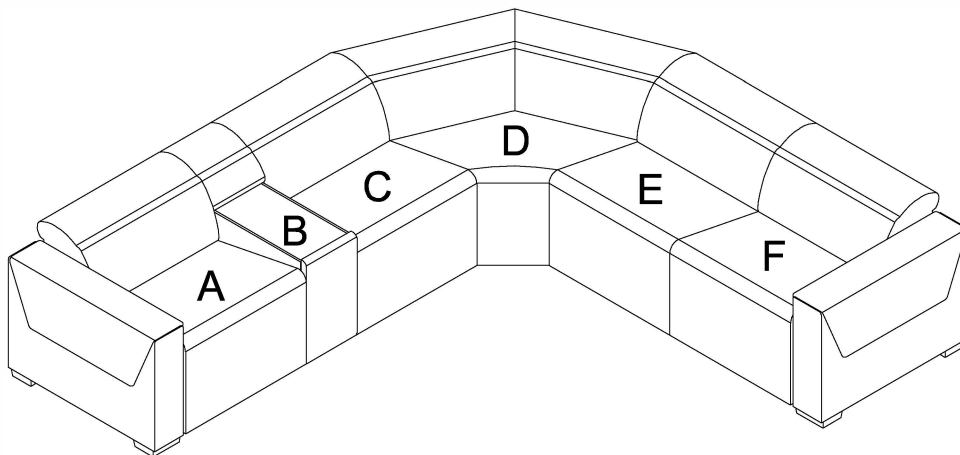
NO.	PARTS LIST	QTY	DESCRIPTION
A		1	Power Left Side Reclining Chair
B		1	Console
C		1	Power Armless Reclining Chair

NO.	PARTS LIST	QTY	DESCRIPTION
D		1	Corner Seat
E		1	Armless Chair
F		1	Power Right Side Reclining Chair

STEP 1 : Assemble each seat.



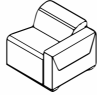

STEP 2 (Completed) :



ASSEMBLY INSTRUCTION

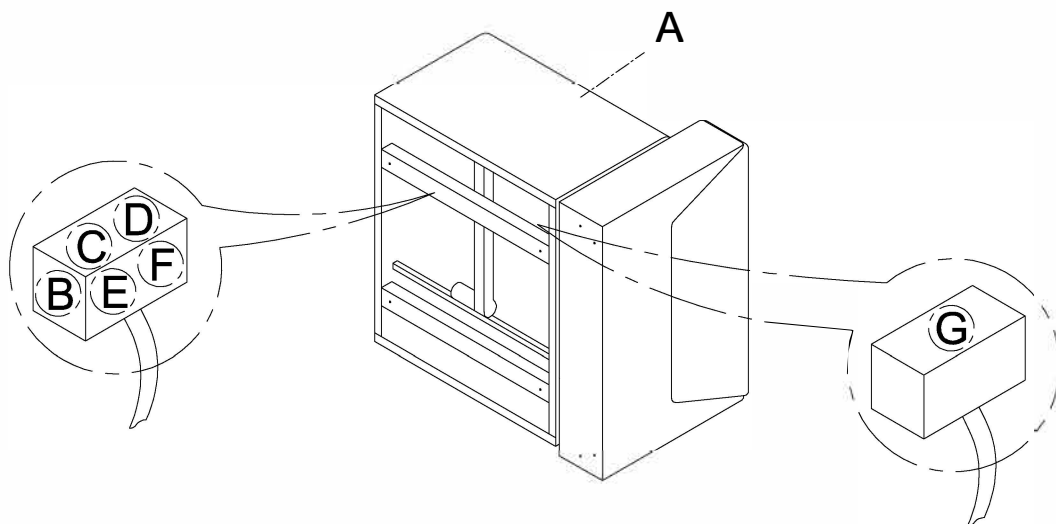
Power Right Side Reclining Chair with Power Headrest, Charging Ports

LEGS AND HARDWARE ARE STORED IN THE BOTTOM OF THE SEAT, PLEASE TAKE OUT FOR ASSEMBLY.

NO.	PARTS LIST	QTY	DESCRIPTION
A		1	RSF RECLINER
G		1	PLUG WITH WIRE

NO.	PARTS LIST	QTY	DESCRIPTION
B	 Ø60*50MM	4	PLASTIC LEG
C	 183*130*45MM	1	FRONT WOODEN LEG
D	 183*130*45MM	1	REAR WOODEN LEG
E	 M8*60MM	4	ALLEN BOLT
F	 M5*100*38MM	1	ALLEN KEY

STEP 1 : Take out leg box and hardware box for assembly.



CARE INSTRUCTION CHENILLE FURNITURE

In order to maintain the original appearance of your chenille furniture, please follow below simple care procedures.

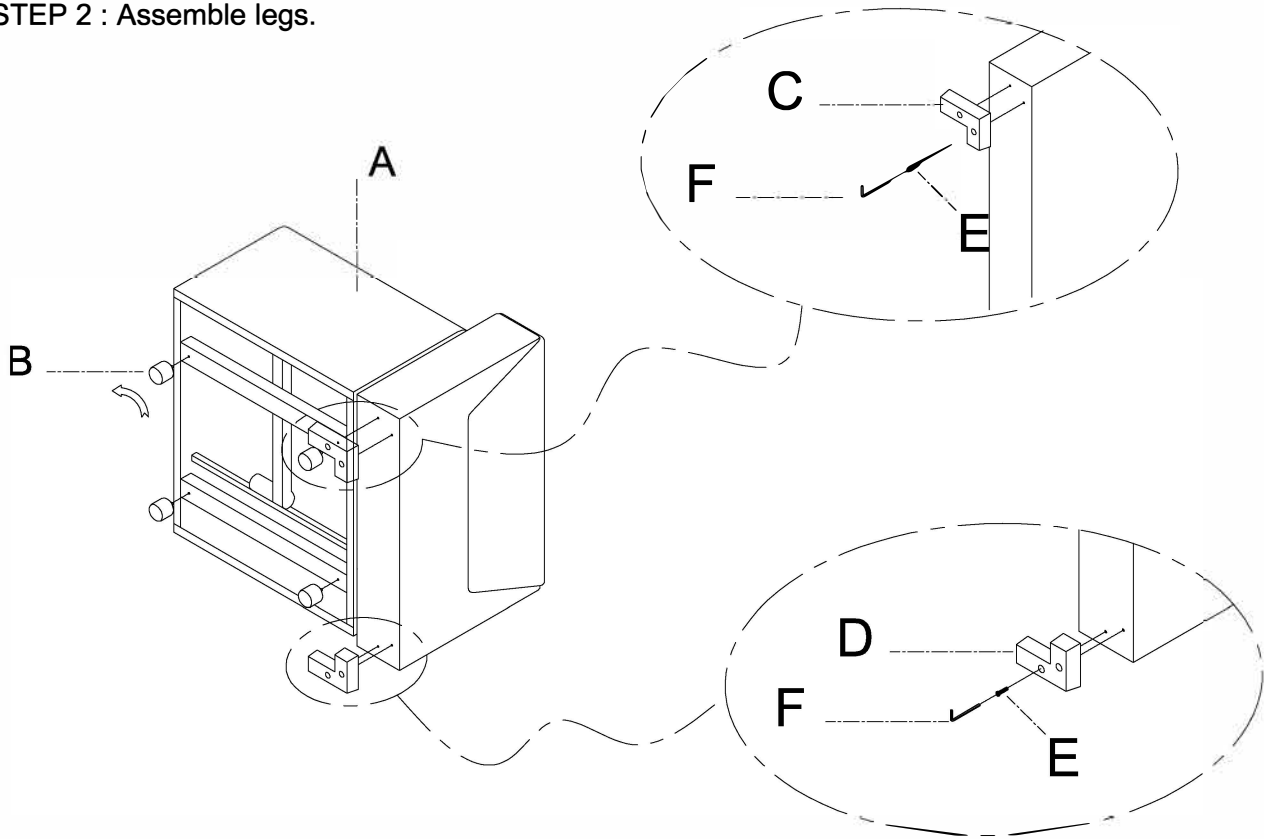
- Avoid exposing furniture directly to sunlight or heating and air conditioning outlets. Exposure to sunlight or heating and air conditioning outlets will fade/damage chenille .

- Wipe gently with a damp soft cloth to remove dust , dirt and any grime build up.

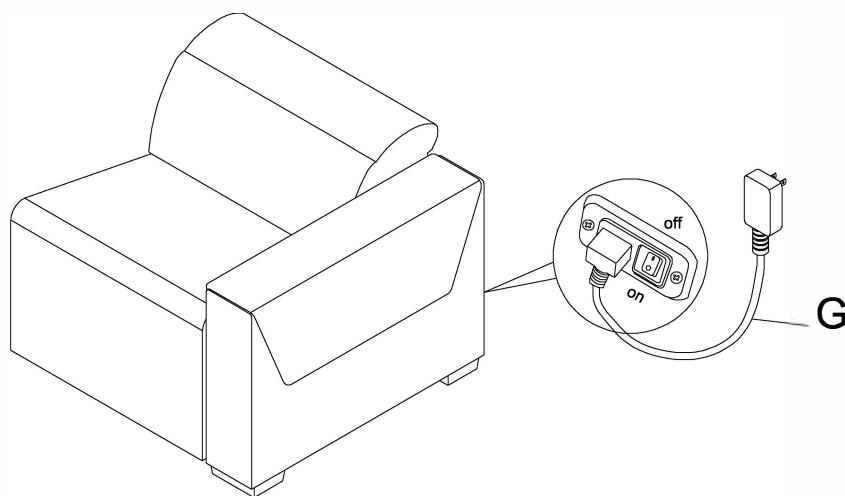
ASSEMBLY INSTRUCTION

Power Right Side Reclining Chair with Power Headrest, Charging Ports

STEP 2 : Assemble legs.



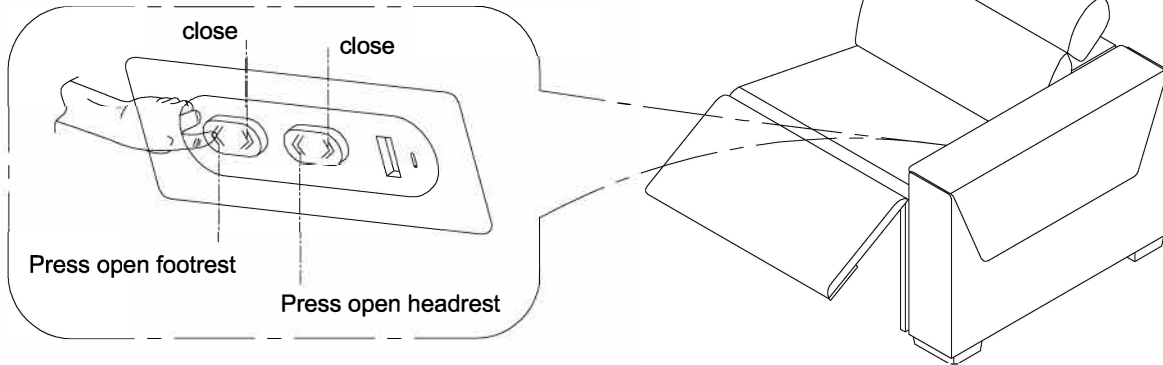
STEP 3 (Completed) :



ASSEMBLY INSTRUCTION

Power Right Side Reclining Chair with Power Headrest, Charging Ports

STEP 4:



● CARE INSTRUCTION FOR POLYESTER:

In order to maintain the original appearance of your polyester furniture, please follow below simple care procedure.

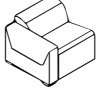
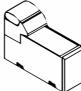

- Avoid exposing furniture directly to sunlight or heating and air conditioning outlets. Exposure to sunlight or heating and air conditioning outlets will fade/damage polyester.
- Wipe gently with a damp soft cloth to remove dust, dirt and any grime build up.


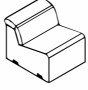
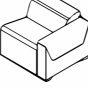
WARNING

- Disconnect the electrical plug from the wall outlet before cleaning, moving, serving or when not in use for an extended period of time.
- Plug directly into a wall outlet. Do not use an extension cord or adaptor.
- Check the condition of the power transformers, electrical cords, plugs and connectors monthly. Keep the power adaptor and electrical cords away from heat sources. Never operate the unit with a damaged power adaptor, electrical cord, plug or connector.
- Before moving the product, please disconnect the electrical plug from the wall outlet and secure the mechanism to prevent unexpected opening or movement. Never move the product by the mechanism, legrest, or reclining back.
- Do not attempt to disassemble or service the adaptor or motor. No serviceable parts are inside.
- Do not allow electrical cord to be pinched between moving parts or between the frame and the floor. Do not place cord under carpet or in location where it could become worn.
- Unplug the power cord immediately if you detect strange odors or fumes coming from the chair.

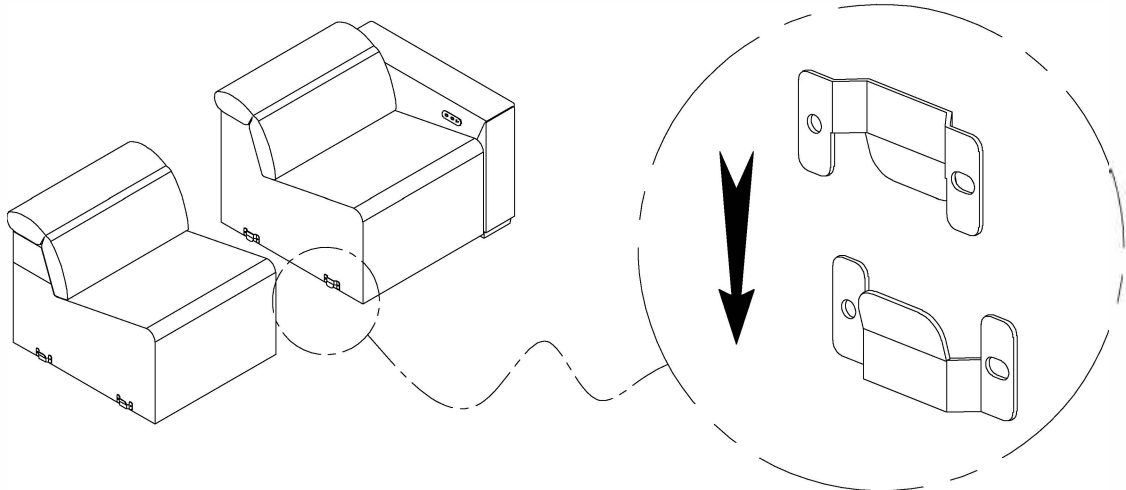
ASSEMBLY INSTRUCTION

Power Right Side Reclining Chair with Power Headrest, Charging Ports

NO.	PARTS LIST	QTY	DESCRIPTION
A		1	Power Left Side Reclining Chair
B		1	Console
C		1	Power Armless Reclining Chair

NO.	PARTS LIST	QTY	DESCRIPTION
D		1	Corner Seat
E		1	Armless Chair
F		1	Power Right Side Reclining Chair

STEP 1 : Assemble each seat.



STEP 2 (Completed) :

