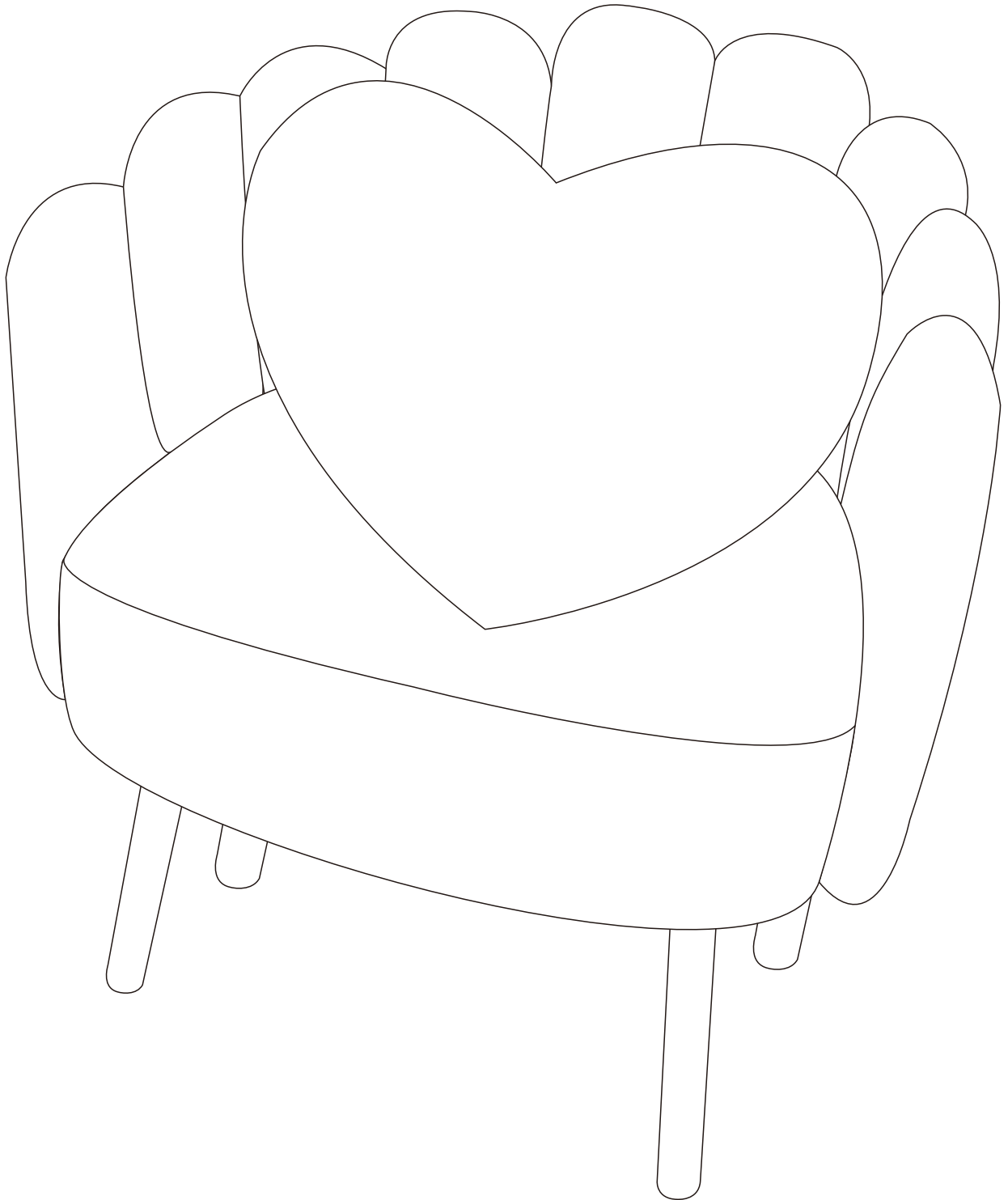


# Assembly Instructions



# Assembly Instructions

## INSTALLATION GUIDE

**ONE PERSON ASSEMBLY: 10 MINUTES (APPROXIMATE)**

**TOOLS REQUIRED: ALLEN WRENCH (PROVIDED)**

## BEFORE ASSEMBLY

1. Remove all packaging materials, staples and packing straps from the carton.
2. Confirm with Parts Checklist in Page 3.

## ATTENTION

1. Leave sufficient room for assembly.
2. Do not assemble on the ground that may hurt the product.
3. Do not over-tighten any fittings as it may cause damage.
4. **DO NOT USE POWER TOOLS TO ASSEMBLE THIS PRODUCT.**
5. Do not sit or stand on it before the assembly is complete.

## DAILY MAINTENANCE

1. Recommended for indoor use only.
2. Wipe with a soft, dry cloth. Keep away from abrasives and household cleaners.
3. Check all the fittings periodically and re-tighten if necessary. Do not use the product if any part is damaged or broken.

# Arm Chair Warranty Policy

**Arm chair are warranted from the date of purchase due to material and workmanship factors. Details as follows:**

- 1 YEAR on all unmovable metal parts;
- 1 YEAR on upholstered fabric and foam;
- 1 YEAR on component parts including chair foot.

To make a warranty claim, please contact us with model number, purchase proof, problem descriptions as well as pictures that shows the problem clearly.

Problem verified, We will:

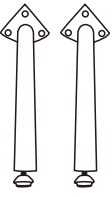
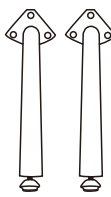


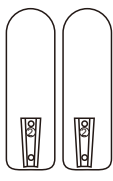
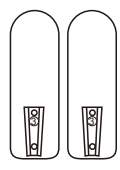
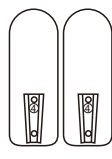
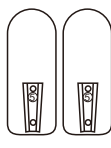


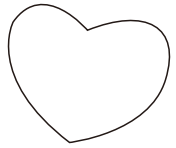
- a) Send replacement parts.
- b) Send a new product if necessary, customer need to return the original item to our warehouse.

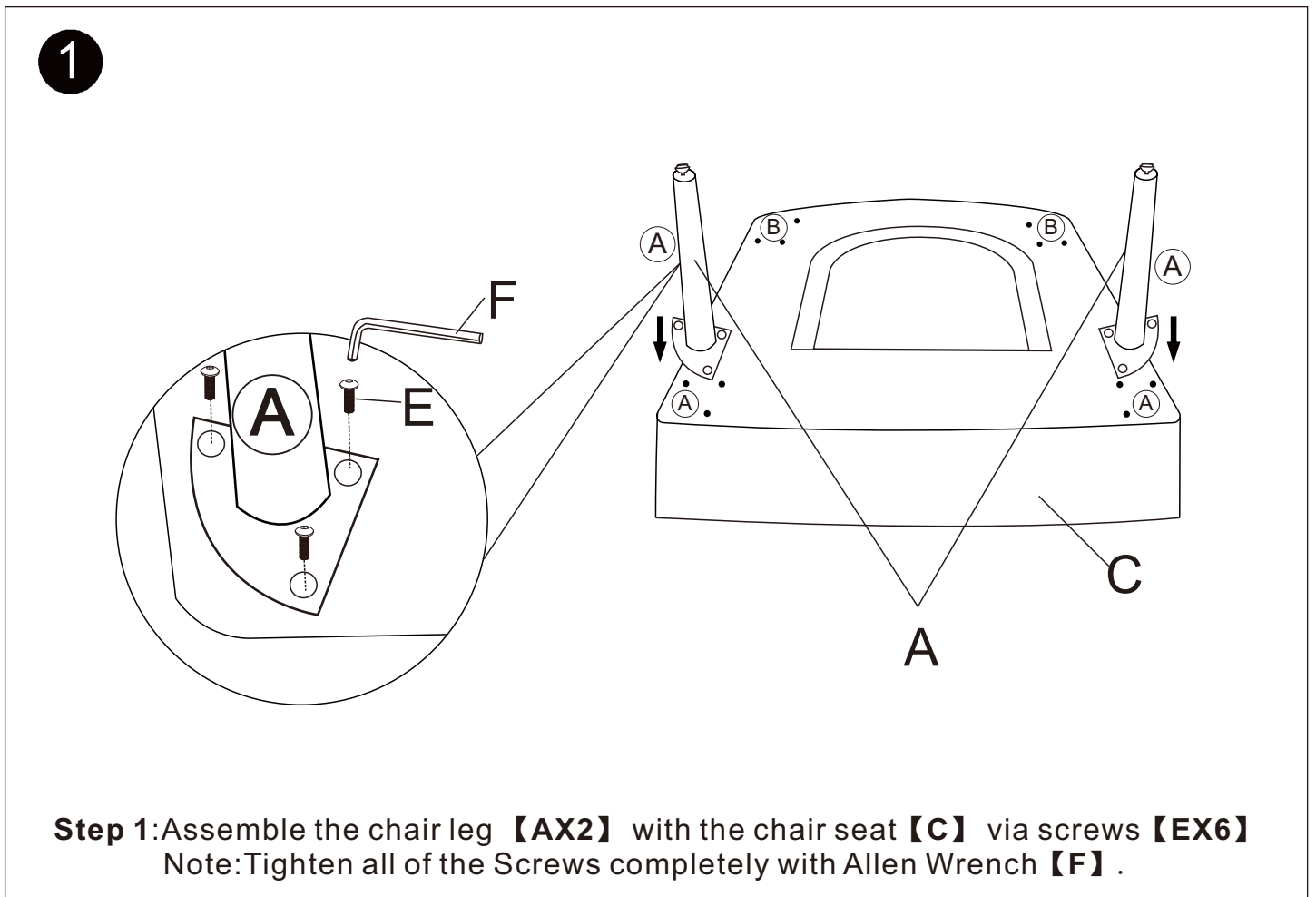
## **RETURN POLICY**

30 days return policy after receiving is provided. We offer prepaid return labels for product quality issues.

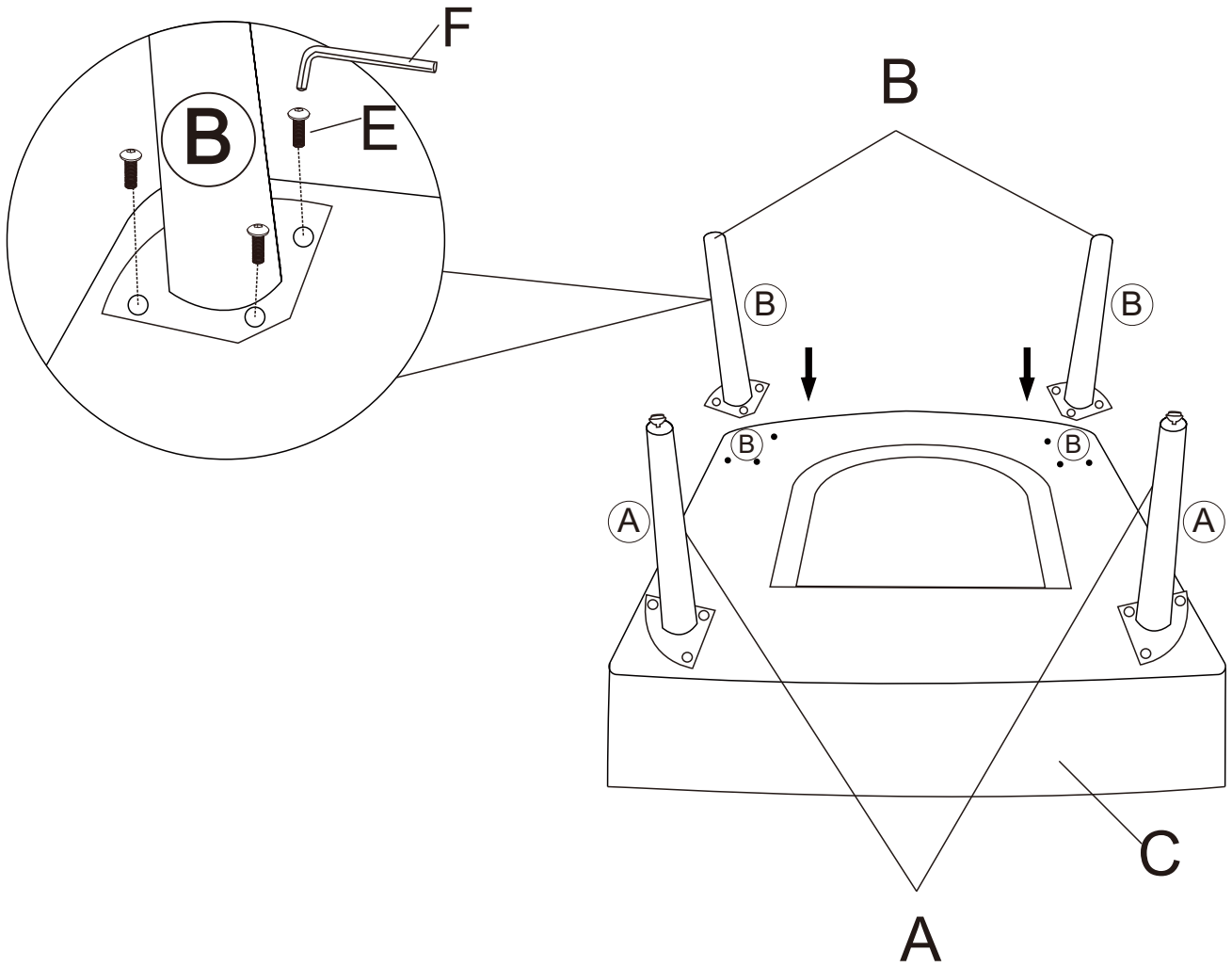
**Note:** Original Box has to be kept for the return until you decide to keep the item.

PARTS CHECK LIST

 <p>Ax2</p>	 <p>Bx2</p>	 <p>Cx1</p>	 <p>D1x1</p>	 <p>D2x2</p>	 <p>D3x2</p>
 <p>D4x2</p>	 <p>D5x2</p>	 <p>M6x20mm</p> <p>Ex12</p>	 <p>Fx1</p>	 <p>Gx1</p>	

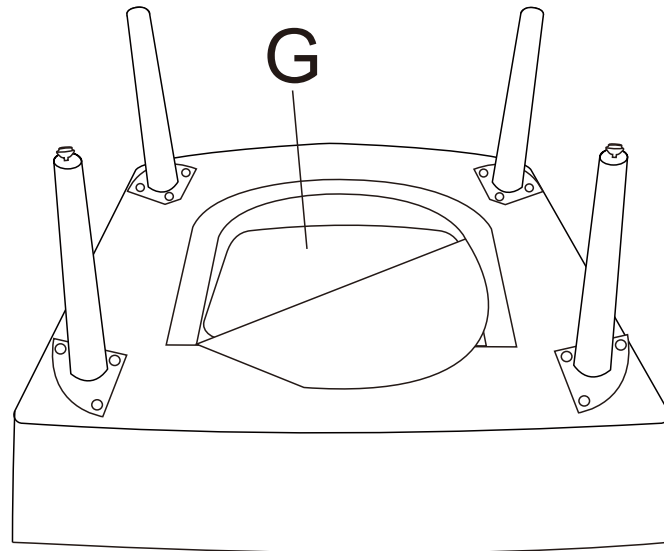


2



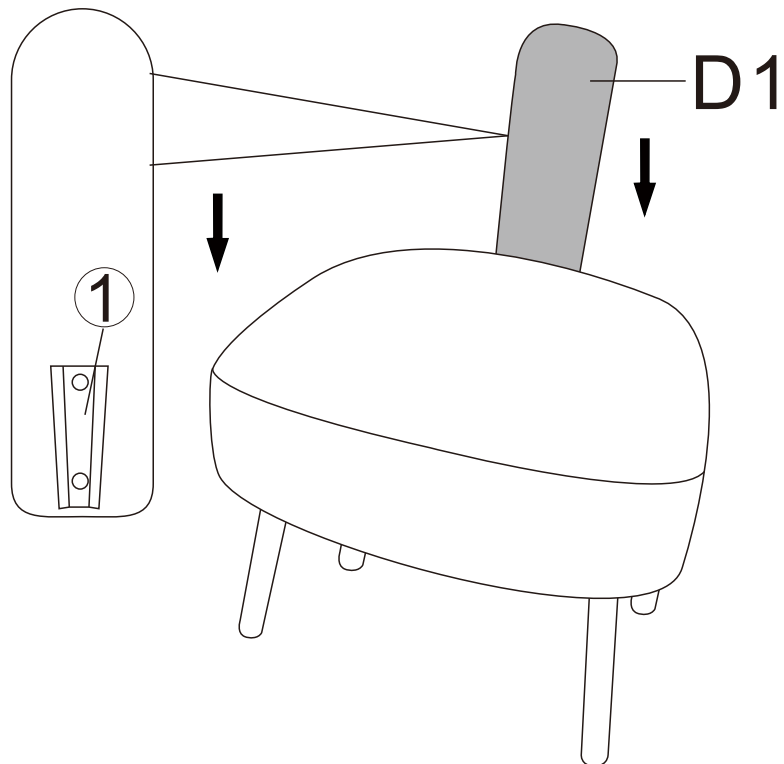
**Step 2:** Assemble the chair leg **【BX2】** with the chair seat **【C】** via screws **【EX6】**  
Note: Tighten all of the Screws completely with Allen Wrench **【F】** .

3



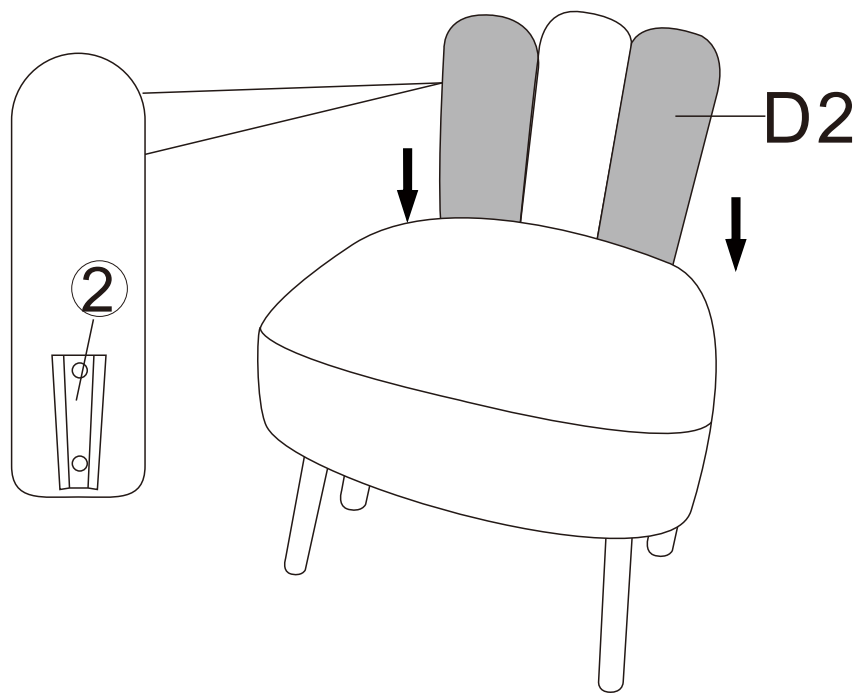
**Step 3:** Take out the pillow **【G】** from the bottom of the chair seat **【C】**

4



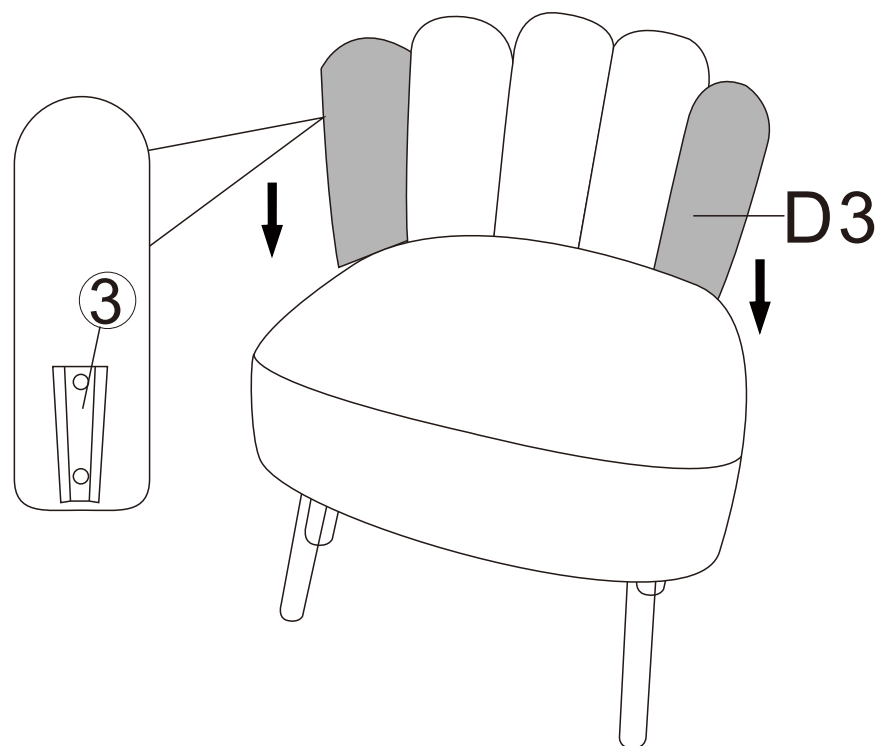
**Step 4:** Insert the backrest insert **【D1】** into the corresponding pin of the chair seat **【C】**. This may take significant force.

5



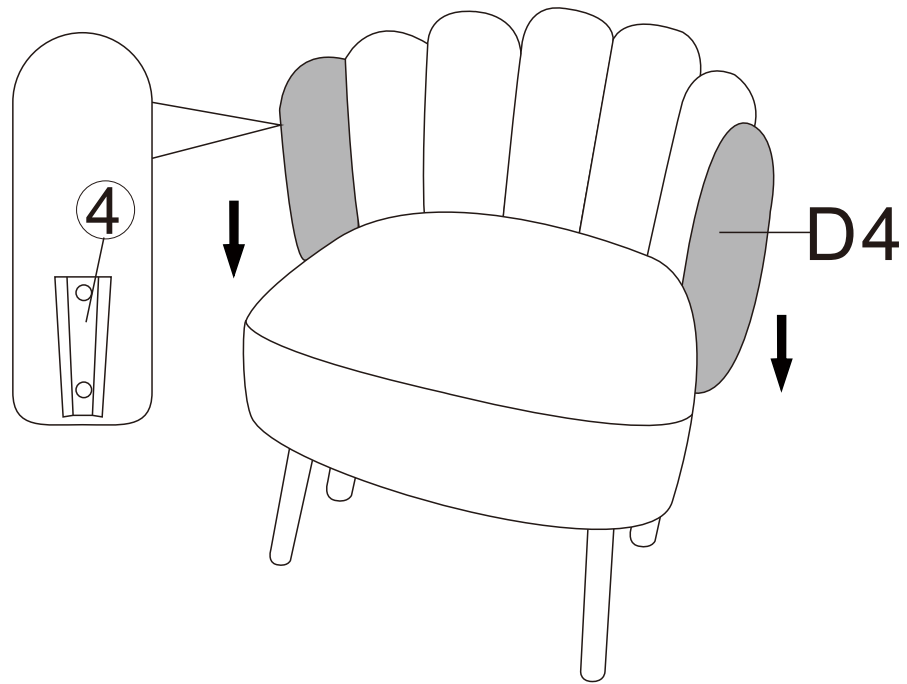
**Step 5:** Insert the backrest insert **【D2x2】** into the corresponding pin of the chair seat **【C】** .

6



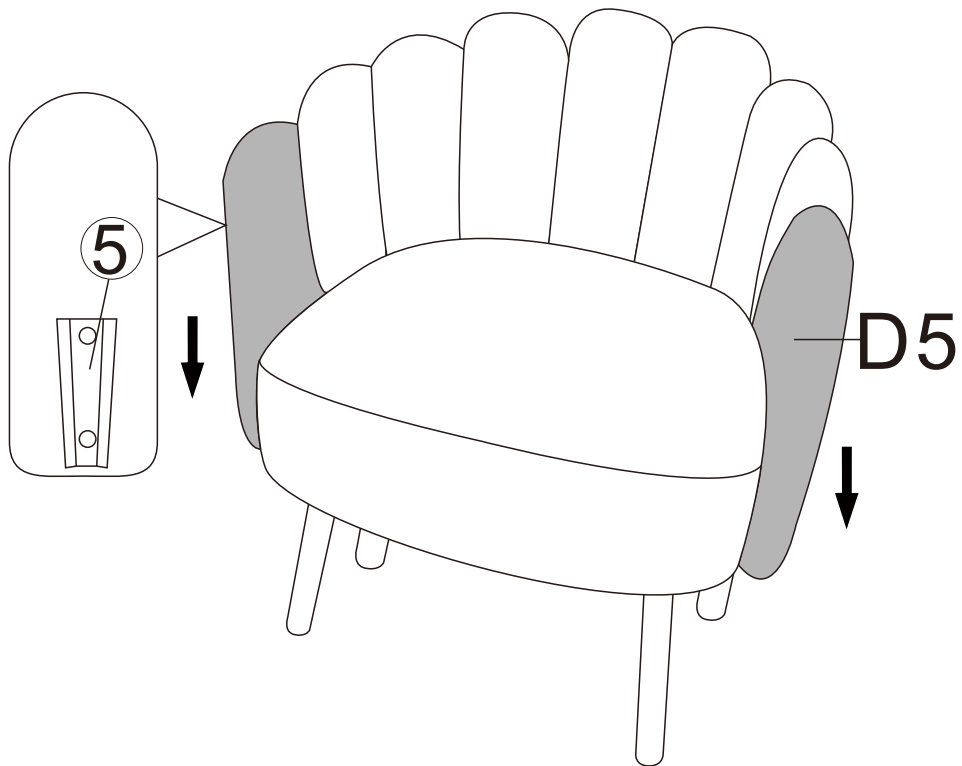
**Step 6:** Insert the backrest insert **【D3x2】** into the corresponding pin of the chair seat **【C】** .

7



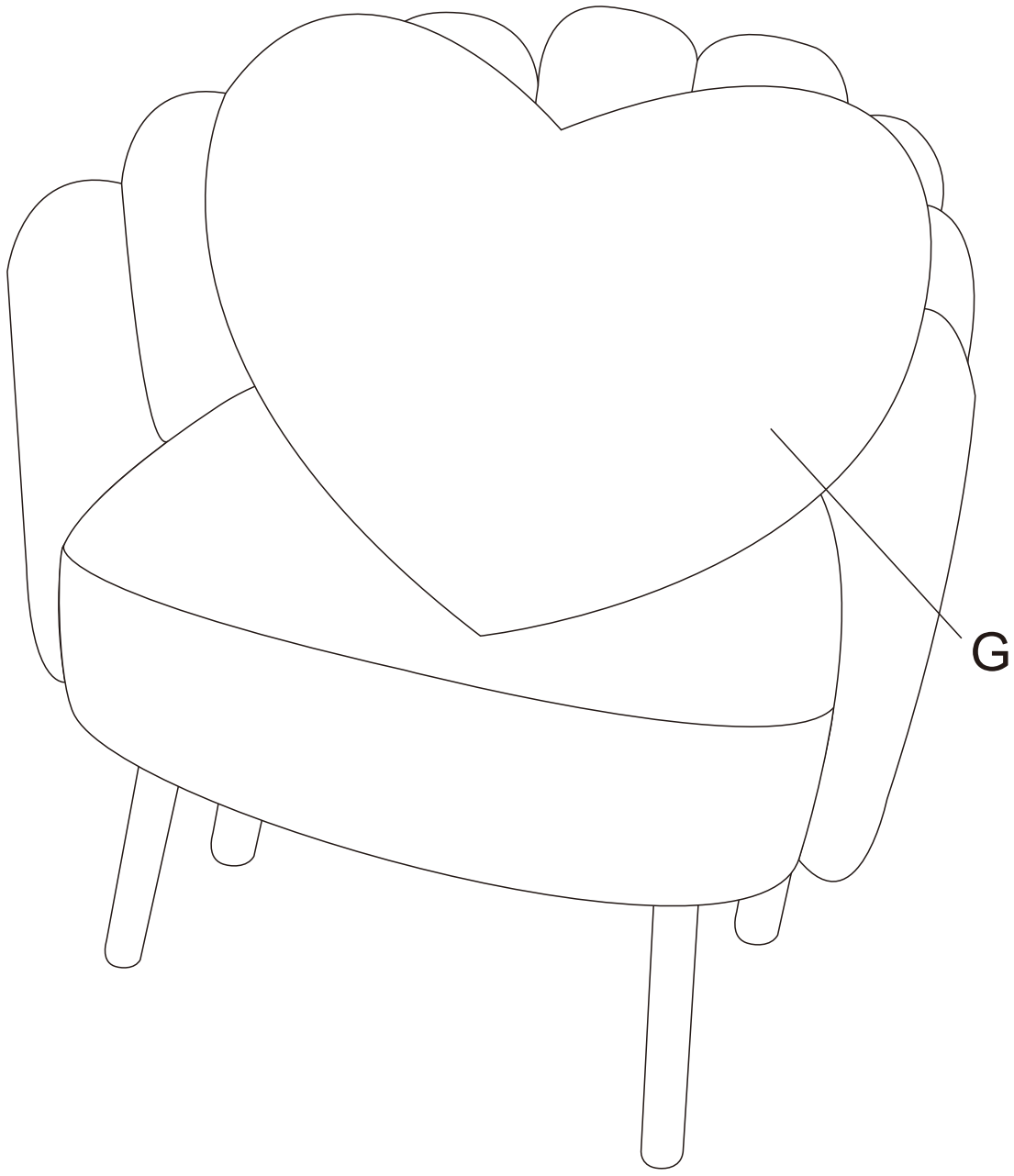
**Step 7:** Insert the backrest insert **【D4x2】** into the corresponding pin of the chair seat **【C】** .

8



**Step 8:** Insert the backrest insert **【D5x2】** into the corresponding pin of the chair seat **【C】** .

9



**Step 9: Enjoy New Chair!**