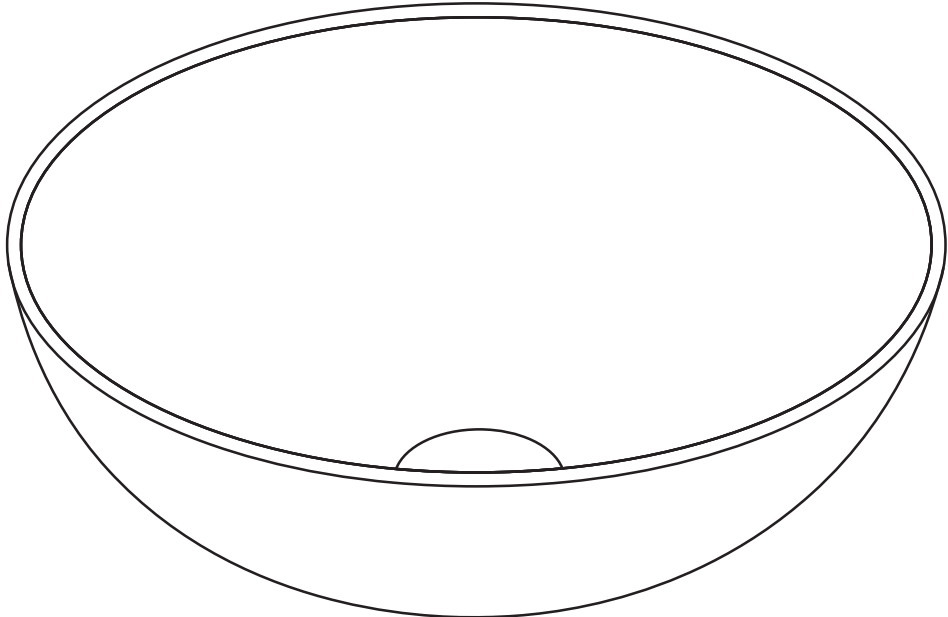


INSTALLATION INSTRUCTIONS

Swiss Madison[®]
well made forever

Vessel Sink



Share your pictures for a feature
using #SwissMadison



Thank you for your purchase!

Thank you for purchasing a Swiss Madison Vessel Sink.

We appreciate your business and know you will enjoy your sink for many years to come.

If you have any questions or require assistance we would be happy to help,
please contact us at 1-434-6234766 or info@swissmadison.com.

To learn more about our products, please visit:

www.swissmadison.com

Sincerely,

The Swiss Madison Team



Prior to Installation:

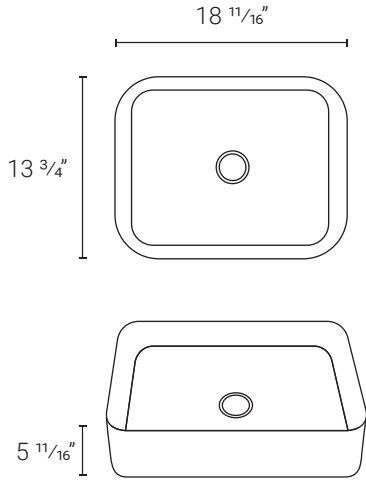
- Inspect sink to ensure no damages have occurred while in shipping.
- Observe all plumbing and building codes in accordance with your state and local requirements.
- Additional floor and wall preparations may be necessary to avoid damage to the product.
- All dimensions are nominal! Be sure to measure your sink prior to installation.

General Recommendations: Read installation and maintenance instructions thoroughly before installing.
Be sure to use proper tools and always wear proper personal safety accessories for your protection.

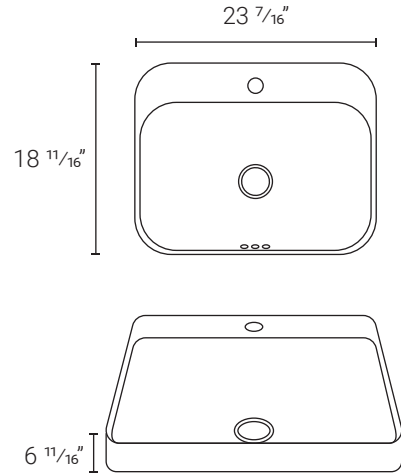
If you have any questions or concerns please contact us:

1-434-623-4766

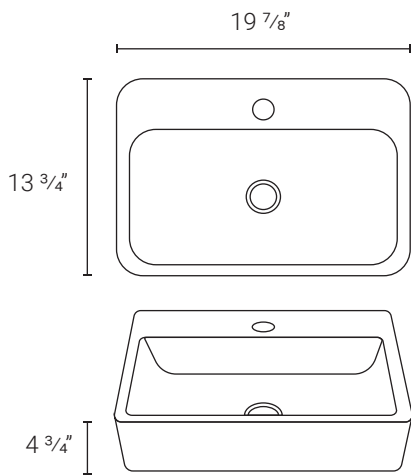
info@swissmadison.com



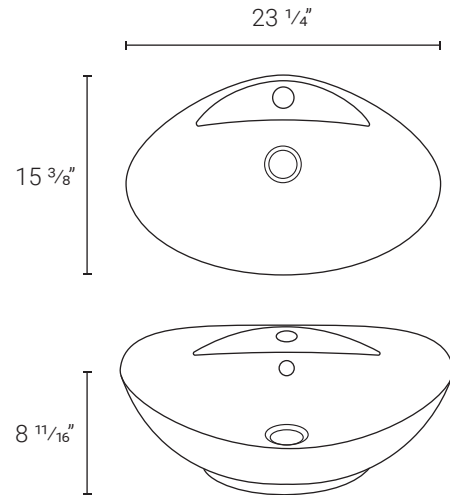
18 11/16" x 13 3/4" x 5 11/16" SM-VS201 - White
 *Matching Drain: SM-PD24
 SM-PD25



23 7/16" x 18 11/16" x 6 11/16" SM-VS202 - White
 *Matching Drain: SM-PD23

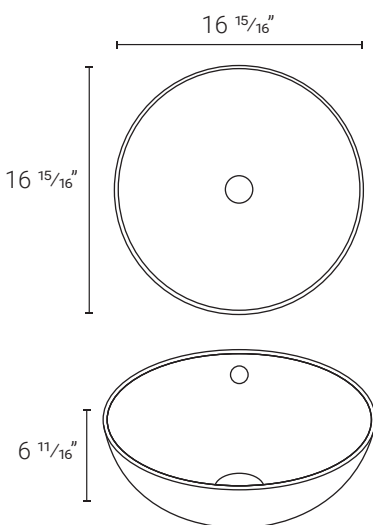


19 7/8" x 13 3/4" x 4 3/4" SM-VS203 - White
 *Matching Drain: SM-PD24
 SM-PD25



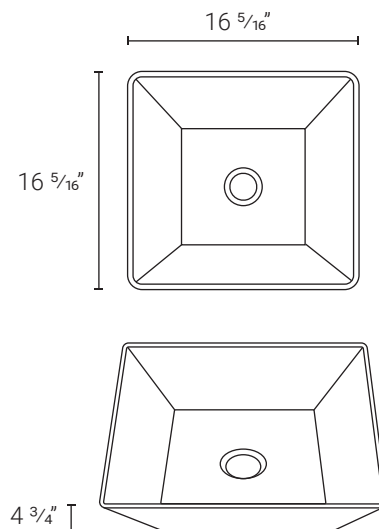
23 1/4" x 15 3/8" x 8 11/16" SM-VS211 - White
 *Matching Drain: SM-PD23

*Compatible drains sold separately - multiple color options available.
 NOTE: Sinks are compatible with all standard vessel sink faucets.



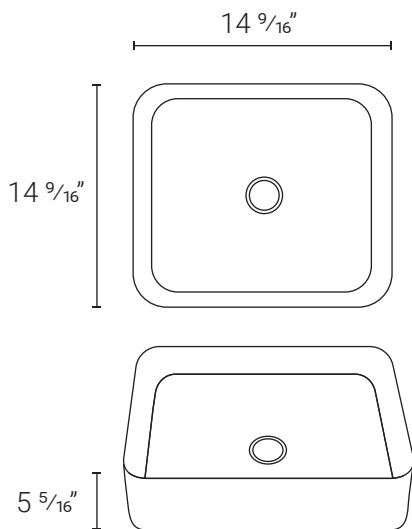
16 15/16" x 16 15/16" x 6 11/16" SM-VS212 - White

*Matching Drain: SM-PD23



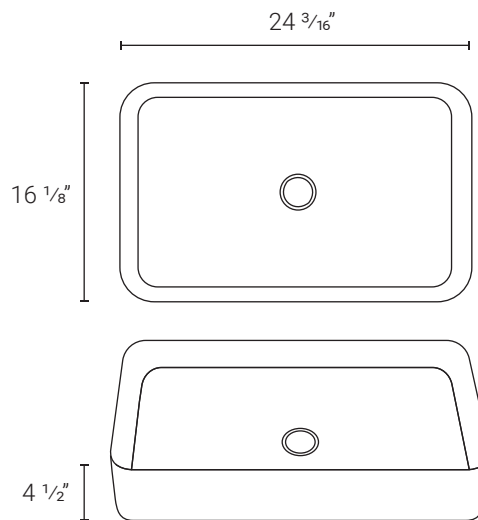
16 5/16" x 16 5/16" x 4 3/4" SM-VS222 - White

*Matching Drain: SM-PD23



14 9/16" x 14 9/16" x 5 5/16" SM-VS230 - White

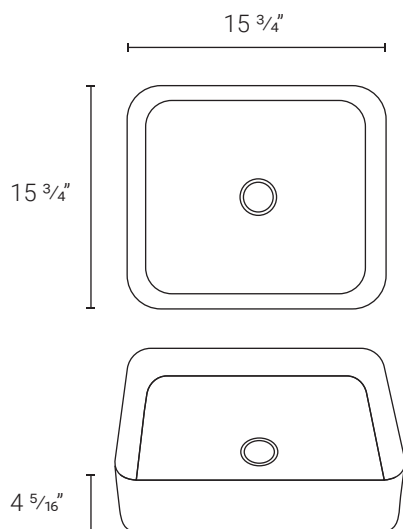
*Matching Drain: SM-PD24
SM-PD25



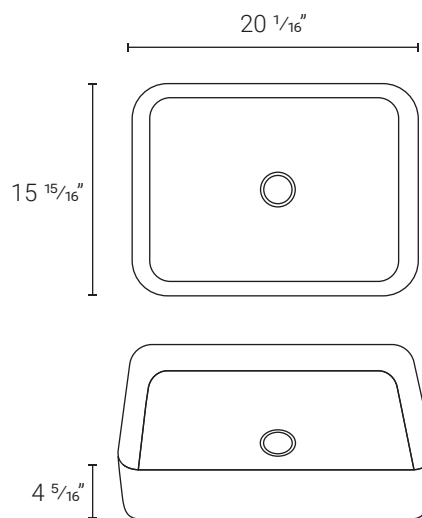
24 3/16" x 16 1/8" x 4 1/2" SM-VS231 - White

*Matching Drain: SM-PD24
SM-PD25

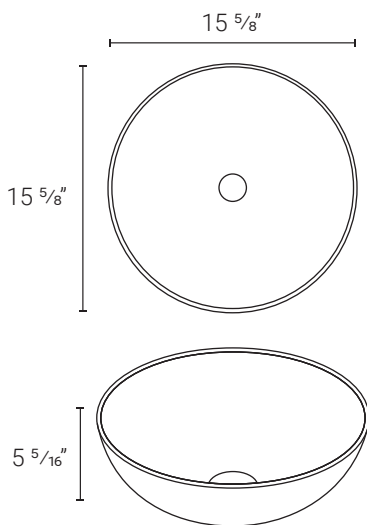
*Compatible drains sold separately - multiple color options available.
NOTE: Sinks are compatible with all standard vessel sink faucets.



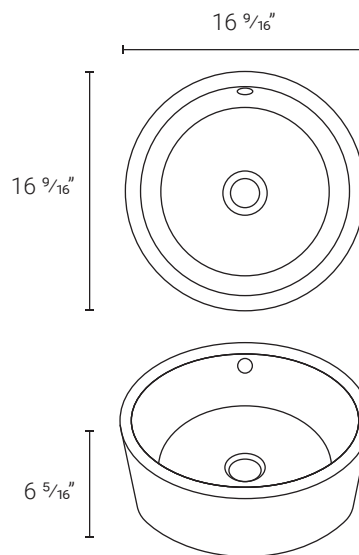
15 3/4" x 15 3/4" x 4 5/16" SM-VS232 - White
 *Matching Drain: SM-PD24
 SM-PD25



20 1/16" x 15 15/16" x 4 5/16" SM-VS242 - White
 SM-VS242MB - Matte Black
 *Matching Drain: SM-PD24
 SM-PD25

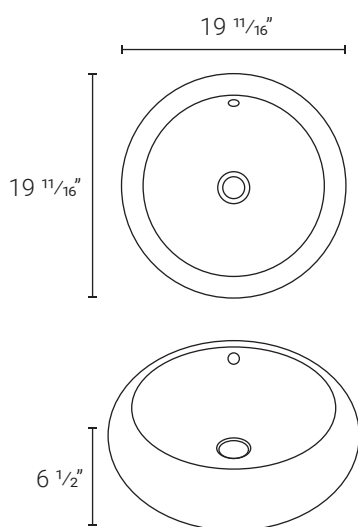


15 5/8" x 15 5/8" x 5 5/16" SM-VS240 - White
 SM-VS241 - Matte Black
 SM-VS243 - Matte Grey
 SM-VS244 - Matte Pink
 SM-VS245 - Matte Red
 *Matching Drain: SM-PD24
 SM-PD25



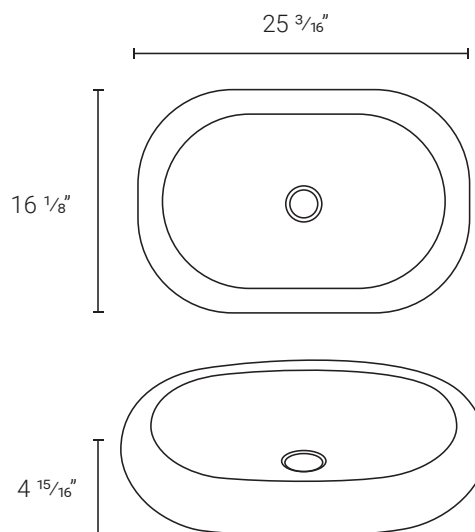
16 9/16" x 16 9/16" x 6 5/16" SM-VS252 - White
 *Matching Drain: SM-PD23

*Compatible drains sold separately - multiple color options available.
 NOTE: Sinks are compatible with all standard vessel sink faucets.



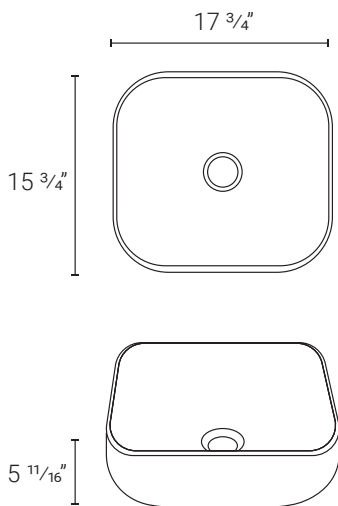
19 11/16" x 19 11/16" x 6 1/2" SM-VS262 - White

*Matching Drain: SM-PD23



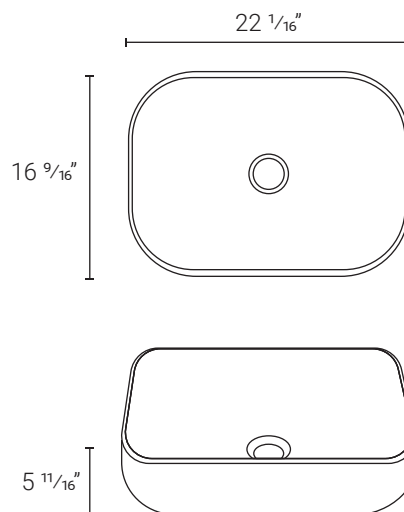
25 3/16" x 16 1/8" x 4 15/16" SM-VS272 - White

*Matching Drain: SM-PD24
SM-PD25



17 3/4" x 15 3/4" x 5 11/16" SM-VS273 - White

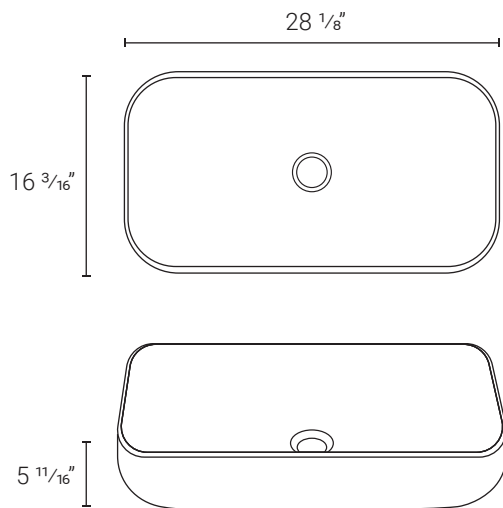
*Matching Drain: SM-PD24
SM-PD25



22 1/16" x 16 9/16" x 5 11/16" SM-VS274 - White

*Matching Drain: SM-PD24
SM-PD25

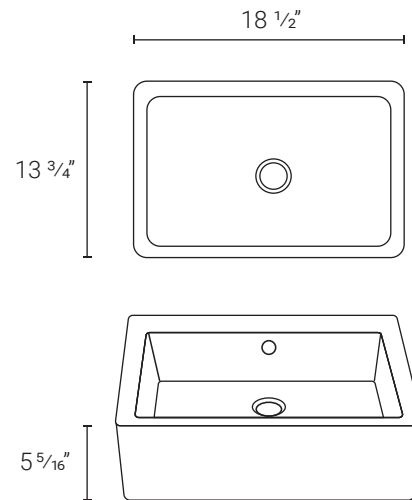
*Compatible drains sold separately - multiple color options available.
NOTE: Sinks are compatible with all standard vessel sink faucets.



28 1/8" x 16 3/16" x 5 11/16"

SM-VS275 - White

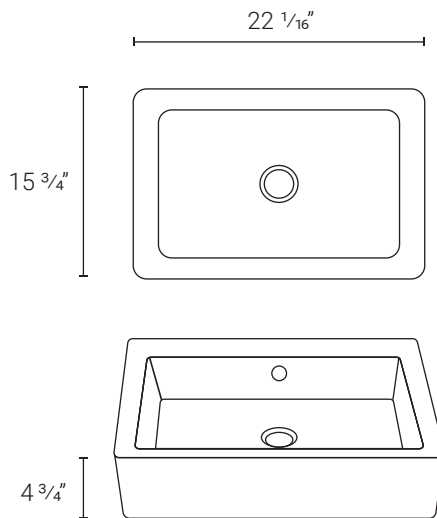
*Matching Drain: SM-PD24
SM-PD25



18 1/2" x 13 3/4" x 5 5/16"

SM-VS277 - White

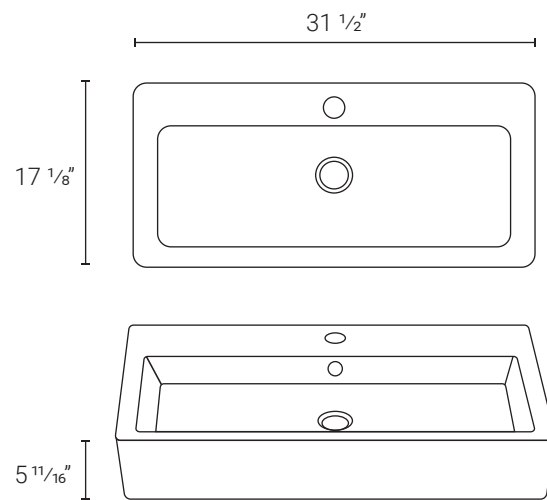
*Matching Drain: SM-PD23



22 1/16" x 15 3/4" x 4 3/4"

SM-VS282 - White
SM-VS282MB - Matte Black

*Matching Drain: SM-PD23

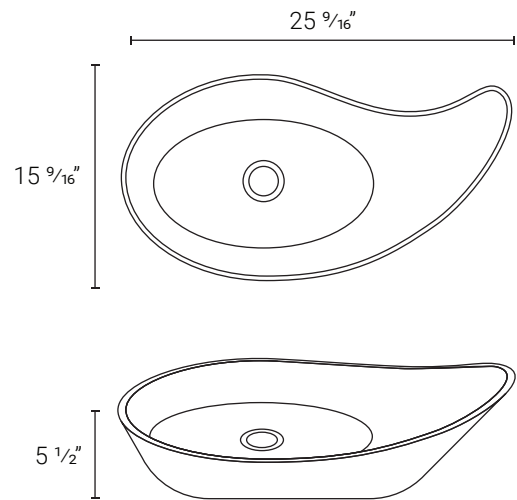
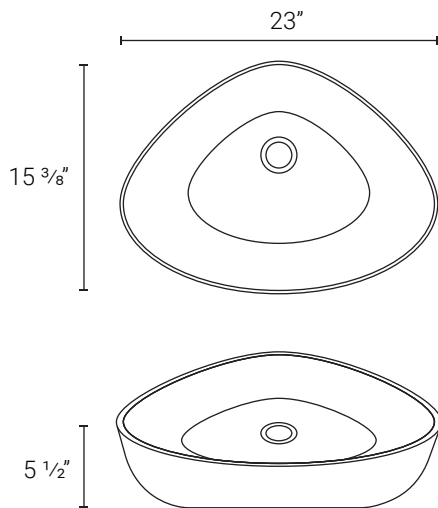


31 1/2" x 17 1/8" x 5 11/16"

SM-VS292 - White

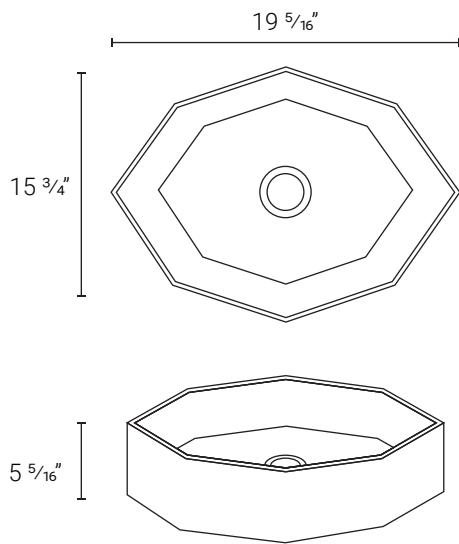
*Matching Drain: SM-PD23

*Compatible drains sold separately - multiple color options available.
NOTE: Sinks are compatible with all standard vessel sink faucets.



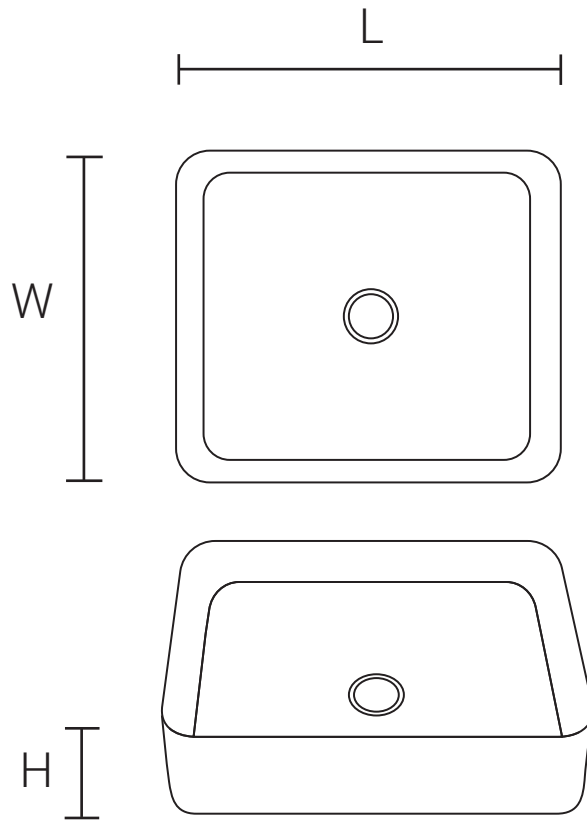
23" x 15 3/8" x 5 1/2" SM-VS278 - White
 *Matching Drain: SM-PD24
 SM-PD25

25 9/16" x 15 9/16" x 5 1/2" SM-VS279 - White
 *Matching Drain: SM-PD24
 SM-PD25



19 5/16" x 15 3/4" x 5 5/16" SM-VS280 - White
 *Matching Drain: SM-PD24
 SM-PD25

*Compatible drains sold separately - multiple color options available.
 NOTE: Sinks are compatible with all standard vessel sink faucets.



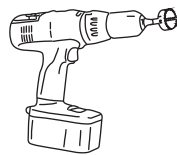
SUGGESTED TOOLS AND MATERIALS



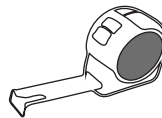
Pencil



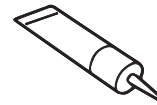
Safety Glasses



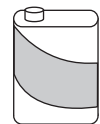
Drill



Tape Measure



Silicone Adhesive



Acetone

PARTS LIST

- Swiss Madison Sink
- Sink Faucet (not included)
- Sink Drain (not included)

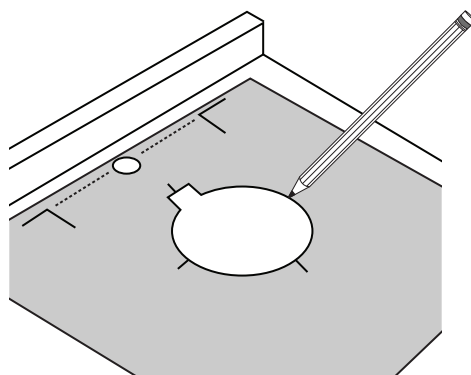
NOTE: Specialized tools may be necessary to install a Swiss Madison Vessel Sink with countertop materials other than wood, marble, or granite.

The step-by-step guidelines in the installation instructions are a general reference for installing a Swiss Madison Sink. Should there be any discrepancies, Swiss Madison cannot be held liable. It is recommended to install all Swiss Madison products by hiring a licensed professional.

1. Read the complete instruction manual before beginning installation.
2. Confirm that your model will fit in intended location and plumbing fixtures are located where legally required before beginning installation.
3. Not all drawings on this manual are drawn to scale. Please refer to the model chart.
4. Two people are recommended to install and move this product.

1. Mark Faucet Holes and Drain Location

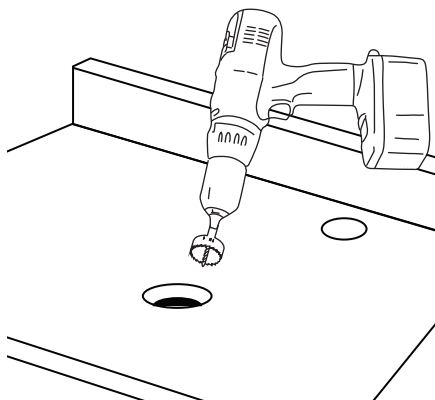
- Place sink in desired location on countertop and mark the drain hole and faucet hole with a pencil.
- NOTE:** Make sure clearance is suitable for backsplash, faucet, and plumbing for the sink.



2. Drill Countertop

- Cut the opening for the drain in the countertop.

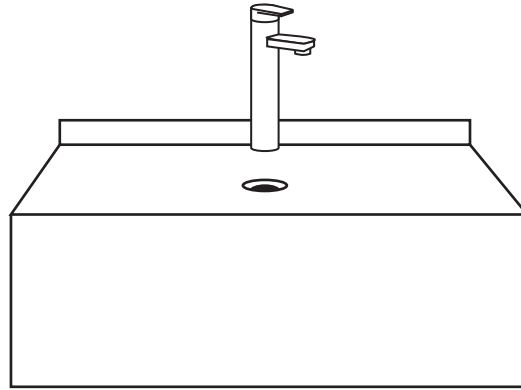
ALWAYS WEAR PROTECTIVE GEAR WHEN USING DANGEROUS MATERIALS



NOTE: Drawings may not exactly define contour of china.

3. Install Faucet

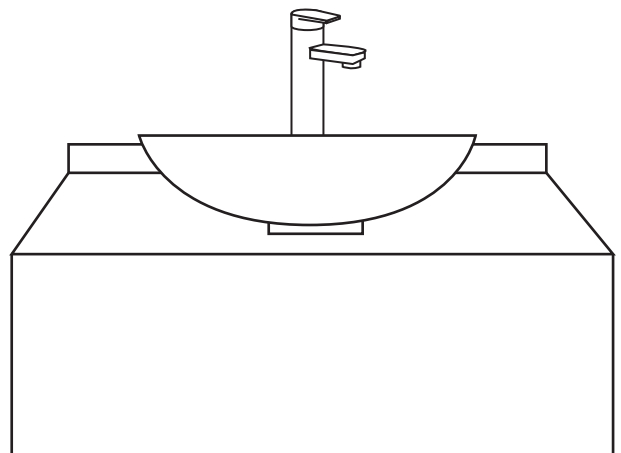
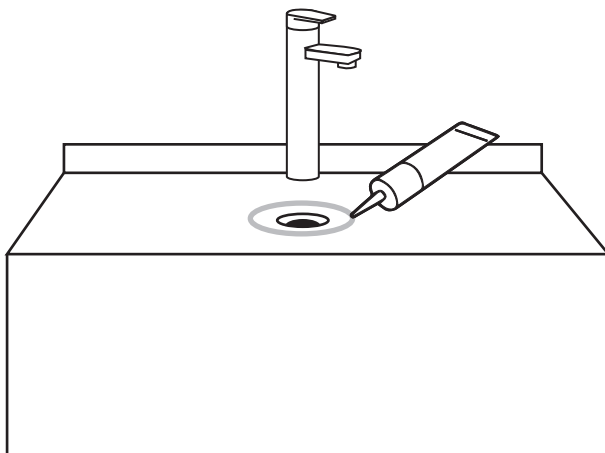
- Install faucet and its components.



4. Install Sink

- Check alignment of the sink to the opening in the countertop.
- Use a bead of clear silicone (or preferred adhesive) around the underside of the sink.
- Carefully place the sink on the countertop, align, and press firmly.
- Allow sealant to set above 60 minutes.

Installer Tip: Use acetone or denatured alcohol to remove any excess sealant immediately after application.



NOTE: Drawings may not exactly define contour of china.

ONE YEAR LIMITED WARRANTY

Swiss Madison® products are made with quality materials and excellent craftsmanship to provide our customers with beautiful, durable, long-lasting products. Should there be any defects in materials or craftsmanship under regular use that are discovered within the first year of installation, Swiss Madison® will provide replacement parts at no charge, or at its discretion, replace any product or part of the product that is deemed defective, under normal installation, use, service or maintenance. This warranty applies only to the original purchaser. Proof of purchase will be required in the instance of a claim.

Swiss Madison® recommends all installations of Swiss Madison® products to be conducted by a licensed, professional plumber or contractor. Swiss Madison® will not be held responsible for any damage or product failure due to improper installation, misuse, or failure to utilize a licensed professional for installation. Swiss Madison® is not responsible for any installation or removal costs.

This One Year Limited Warranty Will Be Voided If:


- The installation recommendations were not followed by the installer
- The product has been moved from its initial place of installation
- The product has in any way been modified from its packaged state
- The product has been subjected to improper maintenance, abuse, misuse, excessive use of chemicals, accidents, or other damages, etc.

Swiss Madison® makes no implication that its products comply with any local building or plumbing codes. It is the consumer's responsibility and obligation to determine local code compliance prior to and during installation. This warranty extends only to the original purchaser and first consumer.

Swiss Madison® is not responsible for any special, incidental or consequential damages associated with the installation, replacement, return or use of the original purchaser's product. This includes, but is not limited to: freight costs, labor, travel time, lost profit, home damages and other contingent liabilities and costs (including, without limitation, costs associated with 'professionals' or 'experts', investigations, audits, analyses, attorneys and any other professional/hired services).

The Swiss Madison® warranty is a comprehensive and explicit limit of liability. All items not disclosed within the warranty are not addressable within the responsibility of Swiss Madison®. Certain states have variances regarding implied warranties; in those situations, we remain fully compliant.

**If you have any questions or concerns, please contact us directly at
1-434-MADISON (623-4766)**

 **WARNING:** Contents of your order may contain sharp and possibly other harmful pieces and may cause hazard to children and adults. Swiss Madison® is not responsible in any way for personal damages.