

SAFETY PRECAUTION:

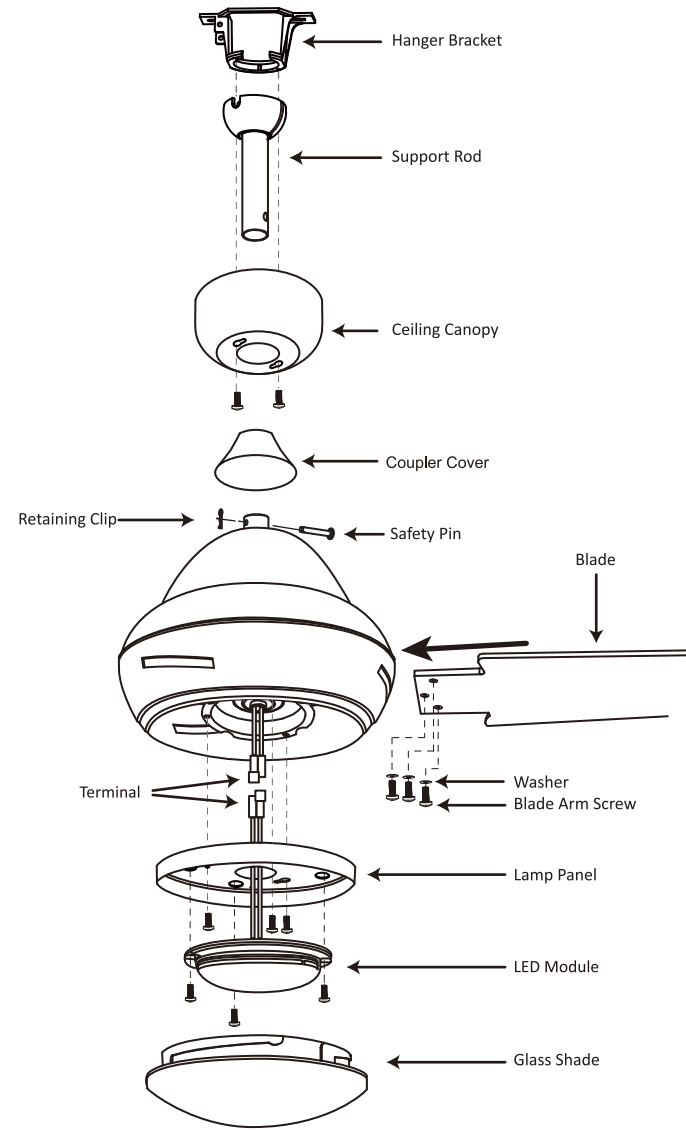
IMPORTANT: PLEASE READ BEFORE INSTALLATION:

- Before you begin installing the fan, shut power off at the circuit breaker of the fuse box.
- CAUTION:** Read all instructions and safety information before installing your new fan. Review accompanying assembly diagrams.
- Make sure that all electrical connections are in accordance with National Electrical Code, ANSI/NFPA 70 and local codes. Hire a licensed electrician if you are unfamiliar with installing electrical wiring.
- Make sure the installation site you choose allows the fan blades to rotate without any obstructions. Allow a minimum clearance of 2.1m (7 feet) from the floor and 18 inches from the tip of the blades to the wall.
- WARNING:** To reduce the risk of fire, electric shock, or personal injury, mount to outlet box marked "Acceptable for Fan Support of 15.9 kg (35 lbs) or less" and use mounting screws provided with the outlet box.
- CAUTION:** To reduce the risk of injury, use only the screws provided with the outlet box in conjunction with the lock washers provided with the fan.
- The outlet box and support structure must be securely mounted and capable of reliably supporting a minimum of 35 pounds. Use only U.L. listed outlet boxes marked "Acceptable for Fan Support of 15.9 kg (35 lbs) or less".
- After you install the fan, make sure that all mounting components are secured to prevent the fan from falling.
- Do not insert anything into the fan blades while the fan is operating.
- To change the direction of the rotation of the blades the fan must be in operation mode.
- All set screws must be checked and retightened where necessary before installation.
- WARNING:** To reduce the risk of personal injury, do not bend the blade bracket when installing the brackets, balancing the blades, or cleaning the fan. Do not insert foreign objects in between rotating fan blades.
- CAUTION:** To reduce the risk of electric shock, disconnect the electrical supply circuit to the fan before installing light kit.
- After making the wire connections, the wires should be spread apart with the grounded conductor and the equipment-grounding conductor on one side of the outlet box and the ungrounded conductor on the other side of the outlet box.
- The splices after being made should be turned upward and pushed carefully up into the outlet box. Conductor wiring identified as grounded is to be connected to a grounded conductor of power supply. Conductor wiring identified as ungrounded conductor is to be connected to an ungrounded conductor. Conductor wiring identified for equipment grounding is to be connected to an equipment-grounding conductor.
- This device complies with part 15 of the FCC Rules. Operation is subject to the following two conditions: (1) This device may not cause harmful interference, and (2) this device must accept any interference received, including interference that may cause undesired operation.
 - WARNING:** To reduce the risk of fire or electric shock, this fan must be installed with a general use, isolating wall control/switch.
 - WARNING:** To reduce the risk of fire or electric shock, do not use this fan with any solid-state speed control device.
- NOTE:** The important safeguards and instructions appearing in this manual are not meant to cover all possible conditions and situations that may occur. It must be understood that common sense, caution and care are factors which cannot be built into this product. These factors must be supplied by the person (s) installing, caring for and operating the unit.
- CAUTION:** The light source is designed for this specific application and can overheat if serviced by untrained personnel. If any servicing is required, the product should be returned to an authorized service facility for examination or repair.

BEFORE YOU START

Contact a licensed electrician if you are uncomfortable performing electrical work. A licensed electrician must install the fan if required by local code. Do not use the fan with a dimmer switch. Turn off power at breaker.

Product instruction:



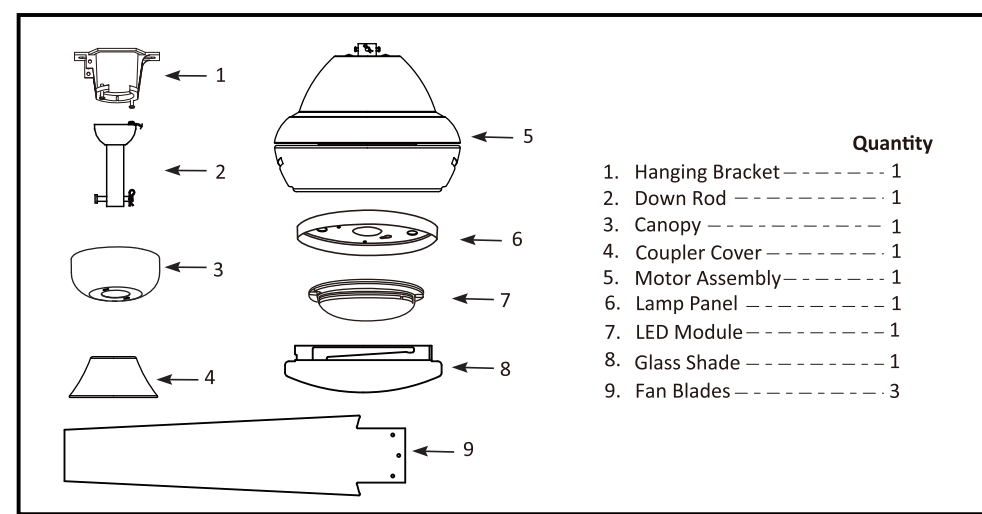
Tools and Materials Required



Hardware Package Included:

Item	Quantity
S1. Blade Screws & Washers (3 Each Per Fan Blade)	10
S2. Machine Screws	2
S3. Machine Screws	2
S4. Wood Screws	2
S5. Washers	2
S6. Lock Washers	2
S7. Star Washers	2
S8. Wire Nuts	3
S9. Balance Kit	1

Fan Parts Included:



Installation:

Step 1 MOUNTING OPTIONS

If there isn't an existing UL listed mounting box, then read the following instructions. Disconnect the power by removing fuses or turning off circuit breakers.

Secure the outlet box directly to the building structure. Use appropriate fasteners and building materials. The outlet box and its support must be able to fully support the moving weight of the fan (at least 35 lbs). Do not use plastic outlet boxes.

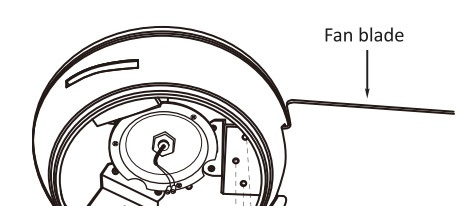
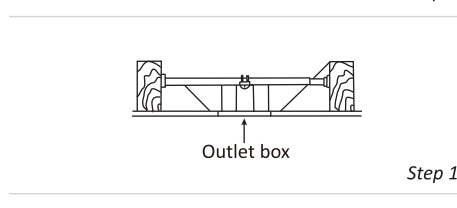
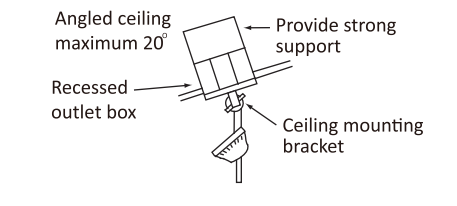
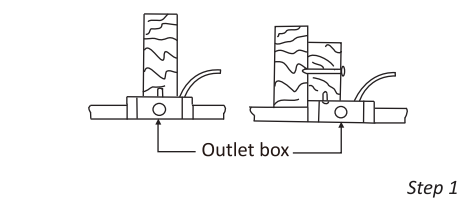
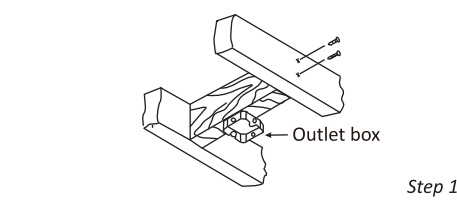
Step 1.1, 1.2 and 1.3 are examples of different ways to mount the outlet box.

Note: You may need a longer downrod to maintain proper blade clearance when installing on a steep, sloped ceiling. (See Step 1.3)

To hang your fan where there is an existing fixture but no ceiling joist, you may need an installation hanger bar as shown in Step 1.4.

Step 2 Fan Assembly

- Attach each blade to the blade bracket using three screws & washers. (See Step 2.1)
- Tighten each screw and make sure the blade keep straight.
- Fasten the blade to the motor using the provided screw & washer. Repeat above procedure for the remaining blades. Please ensure that the blades do not get bent during the installation process while the fan may be on the ground, as this will affect the performance and balance of the fan.



Step 3 Install Mounting Bracket

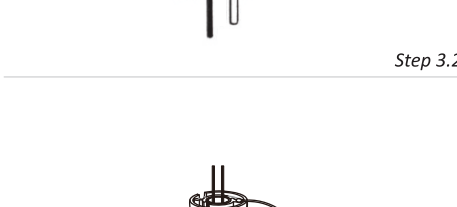
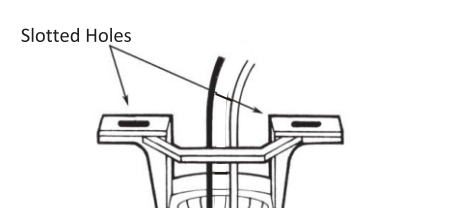
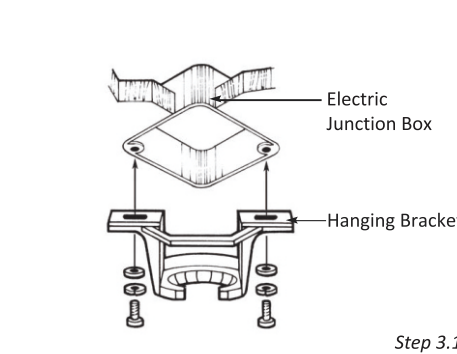
- Install hanging bracket onto the electrical junction box in the ceiling using two machine screws, two washers and two lock washers. (See Step 3.1)
- The hanging bracket has slotted holes which enable the fan to move laterally for proper alignment. Be sure that the hanging bracket is centered over the electrical junction box and the attaching screws are tightened.
- Pull the electrical wires in the junction box down and through the hanging bracket. (See Step 3.2)

WARNING
The hanging bracket must be firmly attached to the junction box.

Step 4 Standard Ceiling Installation

- Loosen the set screws in the downrod coupler until the inside tunnel is clear. (See Step 4.1)
- Remove and save the retaining clip and safety pin at the end of the down rod. Slide the canopy onto the down rod, followed by the down rod coupler cover.
- Feed the electrical wires from the fan housing through the down rod.
- Insert the down rod into the down rod coupler with screw holes lined up. Insert the safety pin through the aligned holes, then add a washer to another side of safety pin and attach retaining clip.
- Securely tighten two set screws on the downrod coupler.

WARNING
Do not bend fan blades during installation. It is critical that the down rod safety pin, retaining clip and washer are securely installed.



Step 5 Hanging Fan Body

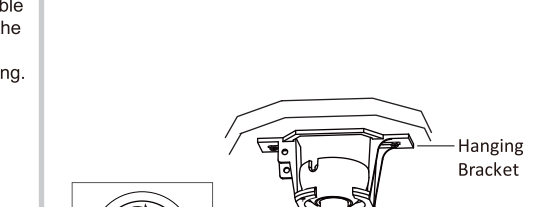
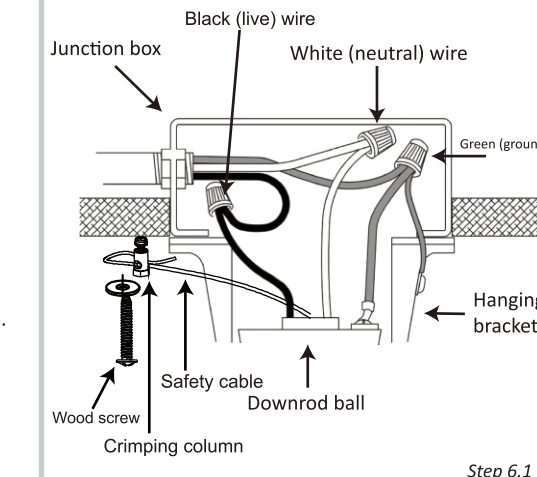
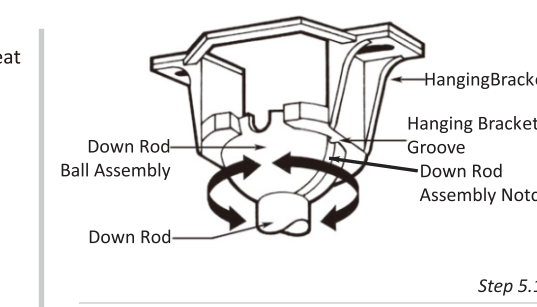
Using a step ladder carefully lift the fan and seat the down rod ball assembly on the hanging bracket. Rotate fan so that down rod ball assembly notch engages with the hanging bracket groove. (See Step 5.1)

Step 6 Making electrical connections

- Attach the green wire from down rod ball assembly to the green wire from hanging bracket to the ground wire in the junction box. The ground wire is typically either an uninsulated (bare) copper wire or a green wire. (See Step 6.1)
- Attach the black wire from the ceiling fan to the black (live) wire in the junction box.
- Attach the white wire from the fan to the white (neutral) wire in the junction box.
- Each of the above connections should be made using the proper size plastic wire nuts.
- Carefully push the connected wires into the electrical junction box with the black and white wires to one side and the green wires to the opposite side.
- Put the the safety cable through the holes of the crimping column and form a small loop of suitable size. Then tighten the crimping screws to lock the cable. Use a wood screw with a metal washer through the cable loop and secure it at the ceiling.

Step 7 Installing Ceiling Canopy

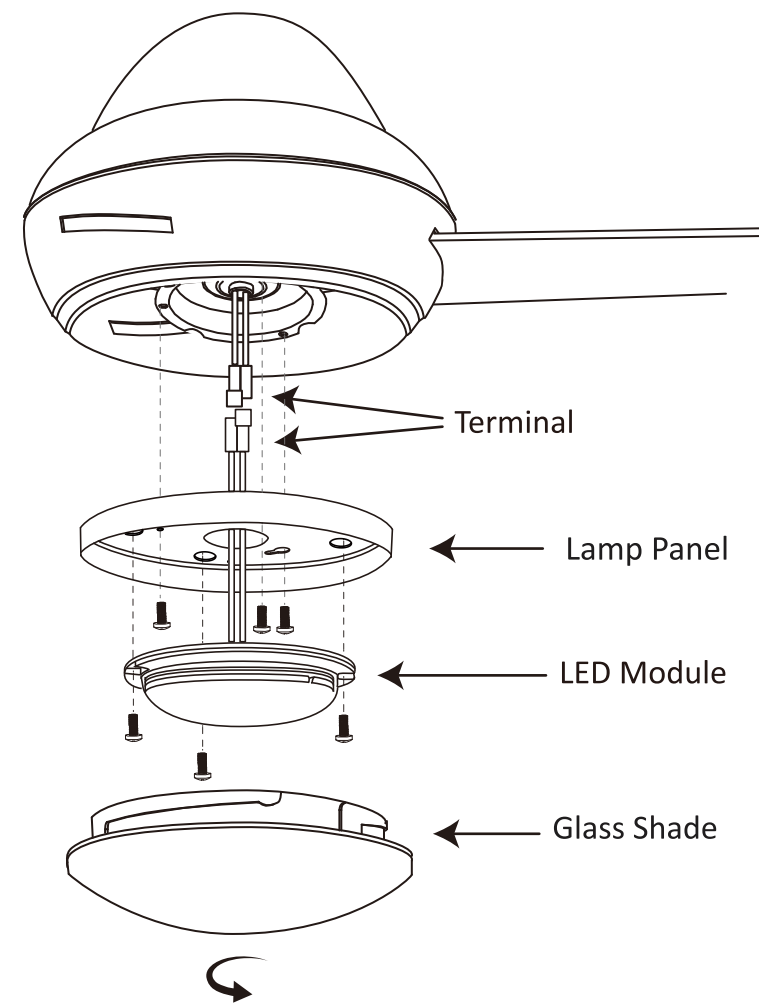
Loosen two hanging bracket shoulder screws located at the bottom of the mounting bracket. Assemble ceiling canopy by rotating ceiling canopy slots over the hanging bracket shoulder screws. Tighten the two shoulder screws. (See Step 7.1)



Step 8 Installing Light Kit and Glass Shade

1. Connect the wires (terminal) on the LED Module through the Lamp panel and the wires (terminal) on the motor. (see Step 8.1)
2. Lock the Lamp panel with 3 screws, and then lock the LED Module on the Lamp panel with 3 screws.
3. Turn the glass shade clockwise to secure the glass, avoid using over strength.


Your new ceiling fan is now ready for use. Reset your circuit breaker and restore power to the circuit.




Step 8.1


Remote Control Operating Instructions:


Pairing the Remote Control to Your Fan


Within 1 min. of plugging fan to power source, press and hold  button for 5 sec. to pair remote control and fan. Successful pairing will trigger the fan light off.

Remote Control button definitions

 OFF Stops the fan from rotation.


 F/R Switches between summer mode and winter mode.
 - Summer mode - (Counter-clockwise) A downward airflow creates a cooling effect.
 - Winter mode - (Clockwise)
 An upward airflow moves warm air away from the ceiling area and redistributes it around the living space.


 Turns the fan on and decreases fan speed.

 Turns the fan on and increases fan speed.

Speed 10 Turns the fan on at highest speed.

Speed 1 Turns the fan on at lowest speed.


 Turns off the fan and the fan light.
Note: Press/hold button for 5 sec. within 1 min. of plugging fan to power source to pair remote and fan. Successful pairing will trigger the fan light off.

 When the fan is on, press this button and the fan will be shut down 1 hour later.

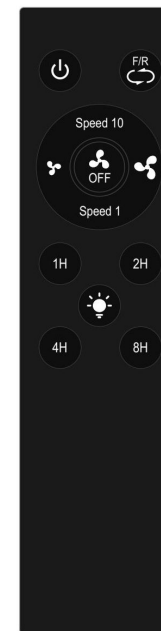
 When the fan is on, press this button and the fan will be shut down 2 hours later.

 When the fan is on, press this button and the fan will be shut down 4 hours later.

 When the fan is on, press this button and the fan will be shut down 8 hours later.

 Turns on or off the fan light.

Warning: Do not expose the remote control to direct contact of water.



Care and cleaning:

1. Check the support connections, brackets, and airfoil attachments twice a year. Make sure they are secure. Because of the fan's natural movement, some connections may become loose over time. It is not necessary to remove the fan from the ceiling.
2. Clean your fan periodically. Use only a soft brush or lint-free cloth to avoid scratching the finish. The plating is sealed with a lacquer to minimize discoloration or tarnishing.
3. (Optional) Apply a light coat of furniture polish to the wood blades.
4. (Optional) Cover small scratches with a light application of shoe polish.

Do not:

1. Use water when cleaning. Water could damage the motor, or the wood, or possibly cause an electrical shock.
2. Apply oil to your fan or motor. The motor has permanently lubricated sealed ball bearings.

Note: Power off the fan before product maintenance or cleaning the fan.

FCC Statement:

NOTE: This equipment has been tested and found to comply with the limits for a Class B digital device, pursuant to part 15 of the FCC Rules, These limits are designed to provide reasonable protection against harmful interference in a residential installation. This equipment generates, uses and can radiate radio frequency energy and, if not installed and used in accordance with the instructions, may cause harmful interference to radio communications. However, there is no guarantee that interference will not occur in a particular installation. If this equipment does cause harmful interference to radio or television reception, which can be determined by turning the equipment off and on, the user is encouraged to try to correct the interference by one or more of the following measures:

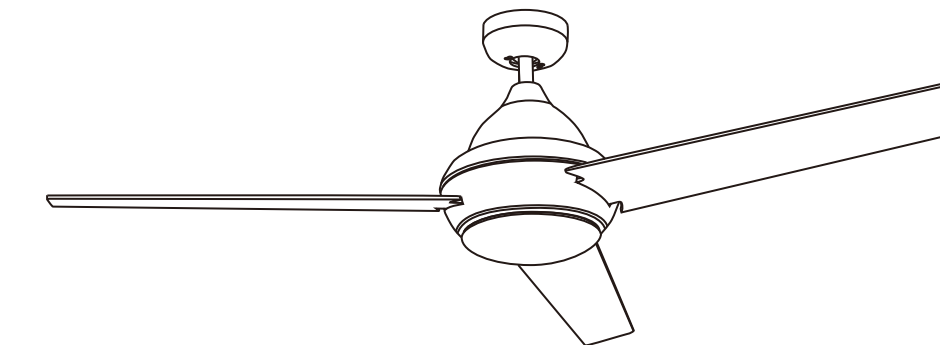
- Reorient or relocate the receiving antenna.
- Increase the separation between the equipment and receiver.
- Connect the equipment into an outlet on a circuit different from that to which the receiver is connected.
- Consult the dealer or an experienced radio/TV technician for help.

WARNING: Changes or modifications to this unit not expressly approved by the party responsible for compliance could void the user's authority to operate the equipment.

Troubleshooting:

Try these troubleshooting steps before contacting the Customer Service. For additional operation, maintenance, and troubleshooting information, please contact our customer service center.

SYMPTOM	POSSIBLE SOLUTION
Fan not spinning	<ol style="list-style-type: none"> 1. Make sure the fan is getting power. 2. Check your circuit breaker or fuse panel and wall switch for functionality. 3. Fan wires are connecting with the house wires correctly. 4. Remote control must be paired with the fan within 1 minutes after the fan getting power. 5. Use a multi-meter and test the wiring harness to see if there is any electrical output. 6. All the pin wiring on the circuit board are inserted tight and in the right position. 7. Remote need to pair with the fan first. 8. Make sure the fan blades spin freely. 9. If you're using a wall control, check the power to the breaker from your control and try working your ceiling fan manually. (Normal switch only for the fan power on/off)
Fan light not working	<ol style="list-style-type: none"> 1. Make sure LED light kit/light bulb connected well. 2. Make sure the whole fan is powered. 3. Remote need to pair with the fan first. correctly and in the retention slot.
The fan is noisy and wobbling	<ol style="list-style-type: none"> 1. Check if the blade screws are NOT rubbing against the round plastic part of the motor. 2. Check the pin wire are NOT connected against the moving part. 3. Check the down fan cup is NOT hitting the motor. 4. Confirm the canopy is NOT touching the ceiling while the fan is in operation. 5. Check the down rod is NOT slanted. 6. Tighten any loose screws on the light kit, fan blades, motor coupling, down rod, brackets and mounting hardware. 7. Confirm the hanger ball is firmly seated in the mounting bracket. 8. The ceiling beam must meet the minimum tensile test strength of 30KG for installation. 9. Make sure the airfoils and brackets are NOT bent or deformed. 10. Verify the wire connections are not rattling against each other. 11. Verify the fan blades are not cracked. If the fan blades are cracked, replace the damaged blades with a new blade set from the same brand as your ceiling fan to ensure compatibility. 12. The light kit is NOT slanting and hitting the motor.
Unable to pair remote	<ol style="list-style-type: none"> 1. Check if the wires are connected in the right position or not. 2. Check the batteries in the remote. 3. Disconnect the power for 10 minutes, reconnect the power and pair the remote with the fan immediately.
Fan or light turning on or off by themselves	<ol style="list-style-type: none"> 1. Confirm the circuit breaker is not malfunctioning. 2. Verify the wire connections are not frayed. 3. Cut the fan power for 10 minutes then power on again. 4. All the pins wiring on the circuit board are inserted tight and in the right position.



ITEM: WGA-523QL

Technical Parameter: AC 120V 60Hz

CEILING FAN INSTALLATION GUIDE

Please read and follow all the Instructions carefully before using this product
 The product image shown here is indicative only.
 Actual product you receive may differ.