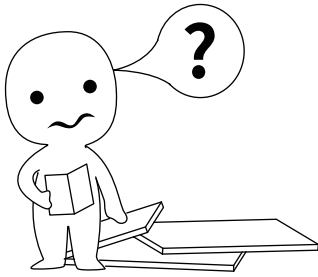


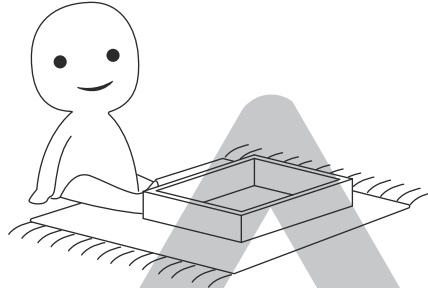
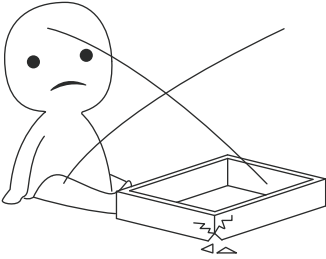
INSTALLATION

Product Manual



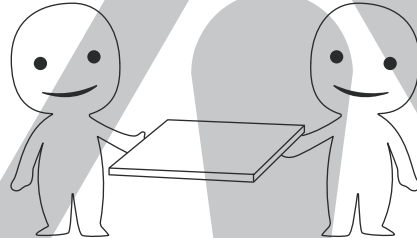
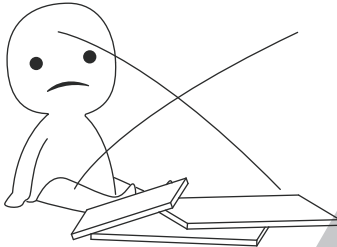
IMPORTANT INFORMATION!

Please read the entire manual before starting to assemble and/or using this product. Follow the manual thoroughly and keep it for further reference.



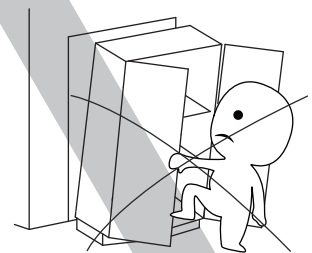
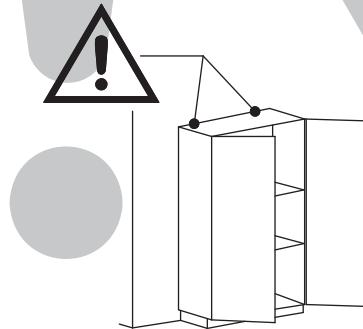
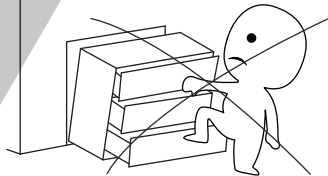
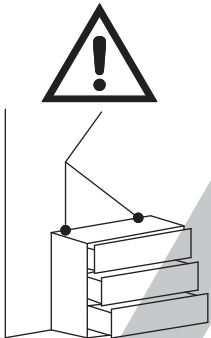
AVOID SCRATCHES!

In order to avoid scratching this furniture should be assembled on a soft layer-could be a rug.



IMPROVE EFFICIENCY !

Try to find a partner to install with you, which can speed up the installation efficiency and shorten the time.



ANTI-TOPPLE WARNING !

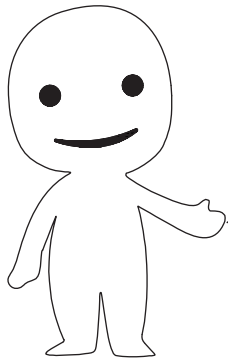
Overturnd furniture can cause serious or fatal crush injuries. To prevent tipping over, be sure to use the wall attachment, if not included with this product. Please purchase the wall attachment that fit your wall. If unsure, seek professional advice. Please read and follow each step of the instructions carefully.

IMPORTANT !

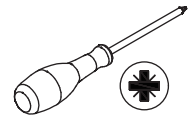
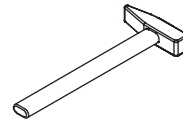
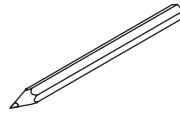
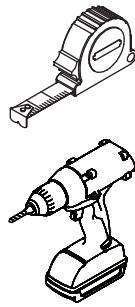
It is important that any product which is assembled using any kind of screw is re-tightened 2 weeks after assembly, and once every 3 months - in order to assure stability through-out the lifespan of the product.

For regular maintenance and cleaning of the product, for the frame, please use a rag dipped in neutral detergent to fully wipe it, and then dry it with a clean rag. For glass materials, wipe with a rag dampened with water glass cleaner, and then dry with a dry rag.

Do not use an electric screwdriver, and do not use too much force when installing, because the board is easy to break.



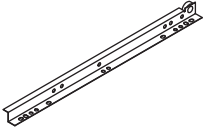
Please prepare the following tools



When installing, please carefully confirm whether each screw corresponds to the manual, accessories with similar shapes can be distinguished by size

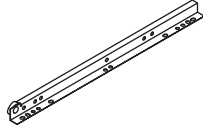
A x 294  CRB1595A	B x 294  CRA0635B	C x 294  CRE0408A	D x 80  CRC0540A	E x 90  CRF0630A
F x 128  CRD3512A	G x 138  CRD3514A	H x 32  CRE0408A	J x 8  CRE0420A	K x 14  CRG0625A
L x 4  CRD3535A	M x 2  CRA0635B	N x 2  CRE0408A	P x 12  DGA861B	Q x 2  CRG0625A
R x 2  CRD3535A	S x 4  CRA0635B	T x 1  Pencil	U x 2  CRE0408A	V x 20  CRD3512A
W x 56  CRD0314A	X x 56  CRA0635B	Y x 1  Hex key	CL x 16  CRD3512A	CR x 16  CRD3512A

DL x 16

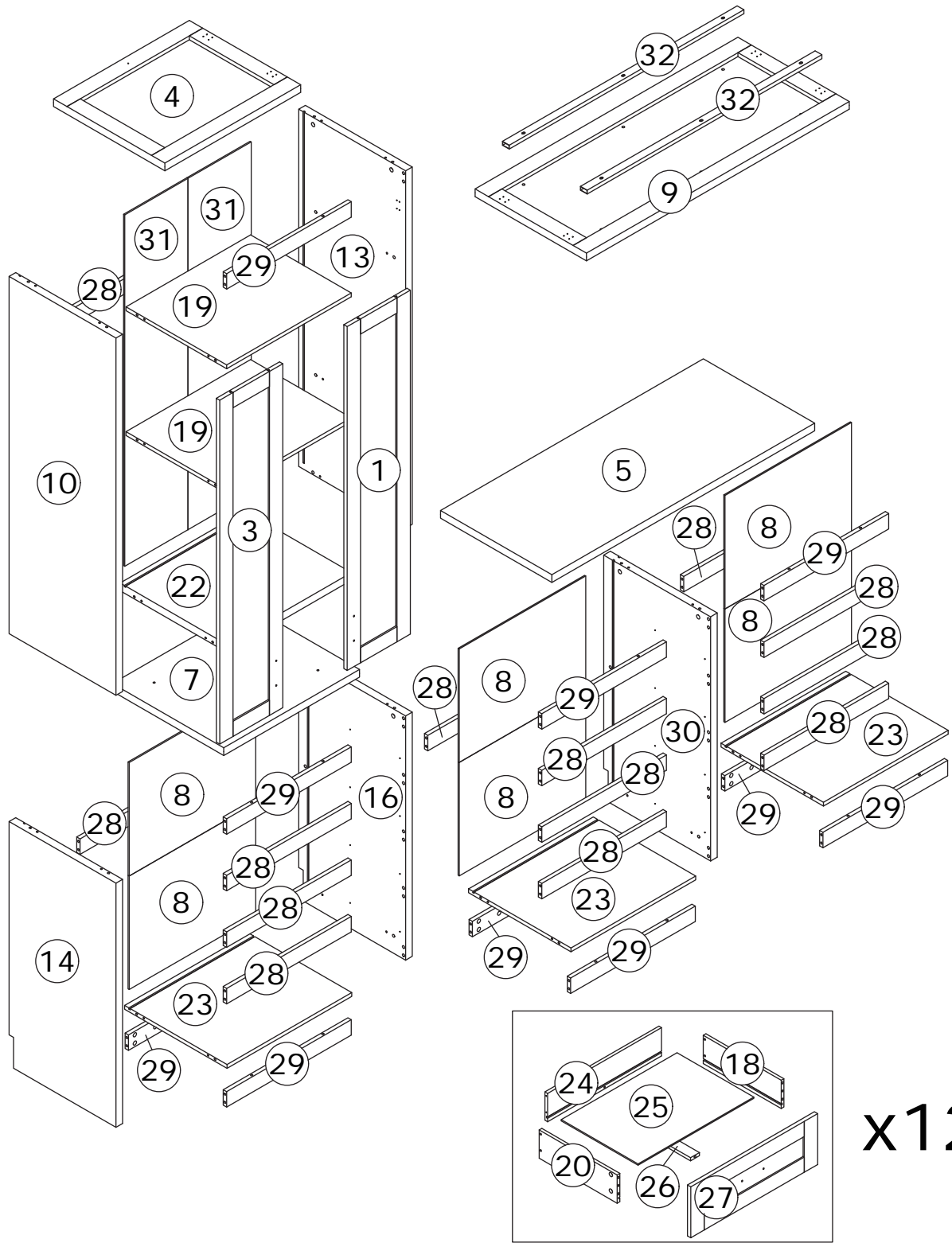


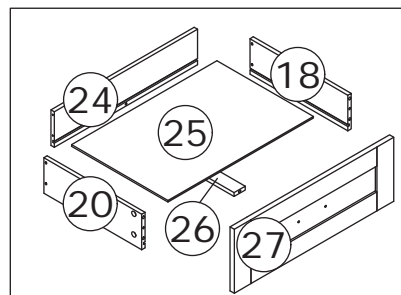
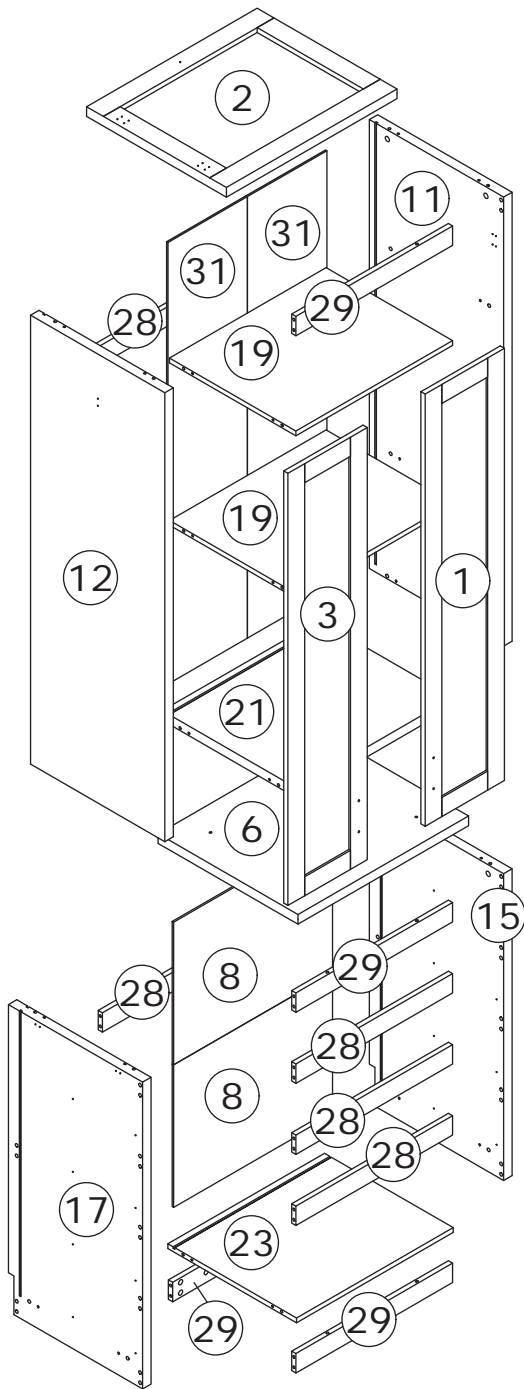
WX1014A

DR x 16

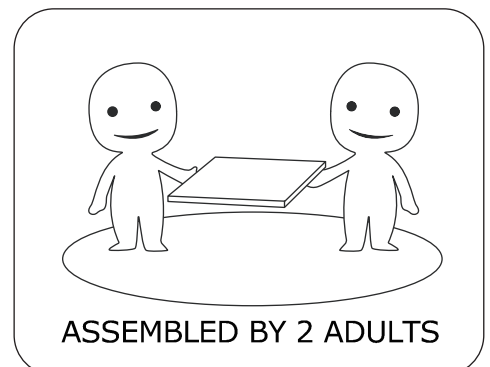


WX1014A





x4



⚠ WARNING



Children have died from furniture tipover. To reduce the risk of furniture tipover:

- ALWAYS install Anti-tip device provided.
- NEVER put a TV on this product.
- NEVER allow children to stand, climb or hang on drawers, doors, or shelves.
- NEVER open more than one drawer at a time.
- Place heaviest items in the lowest drawers.

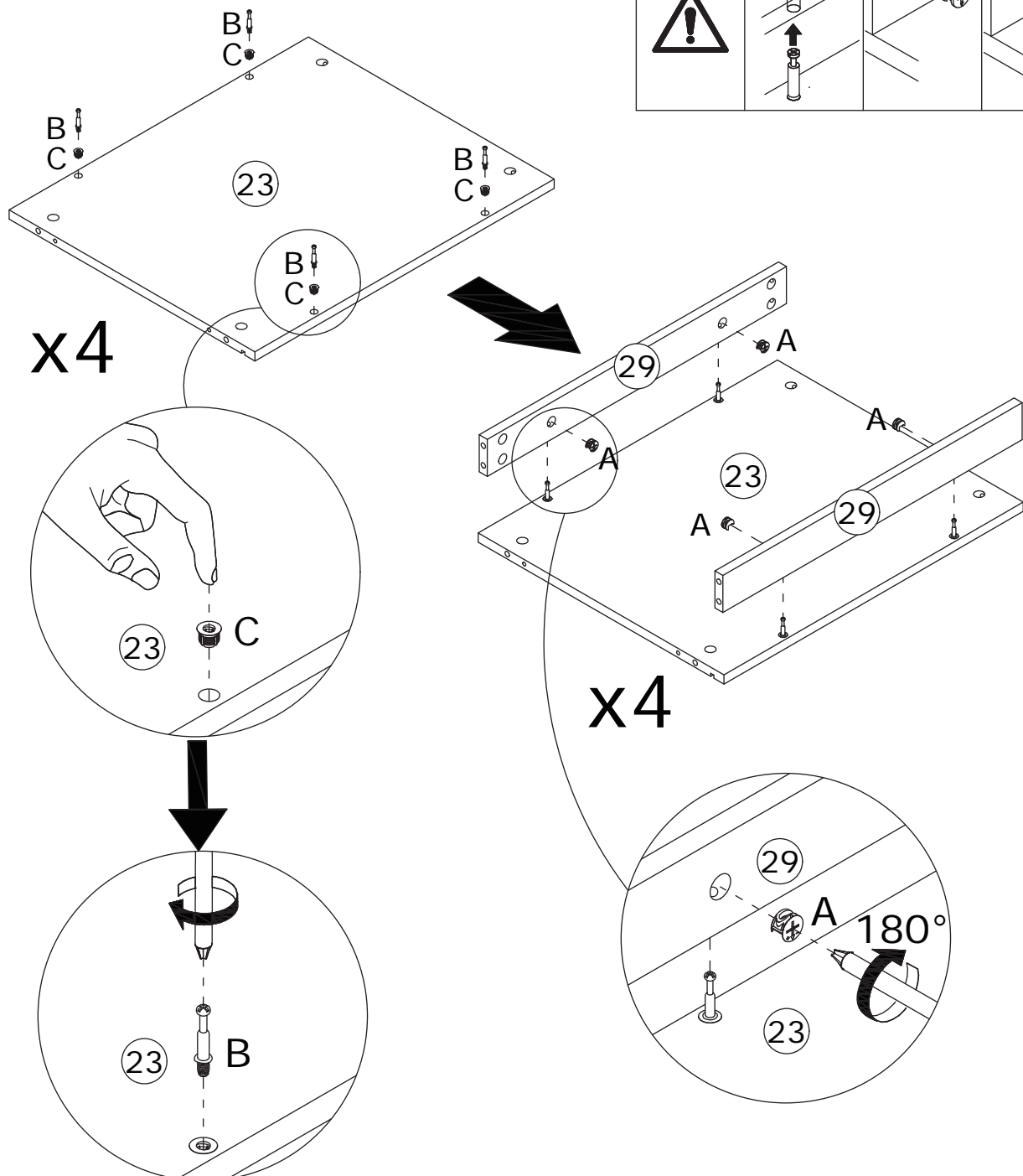
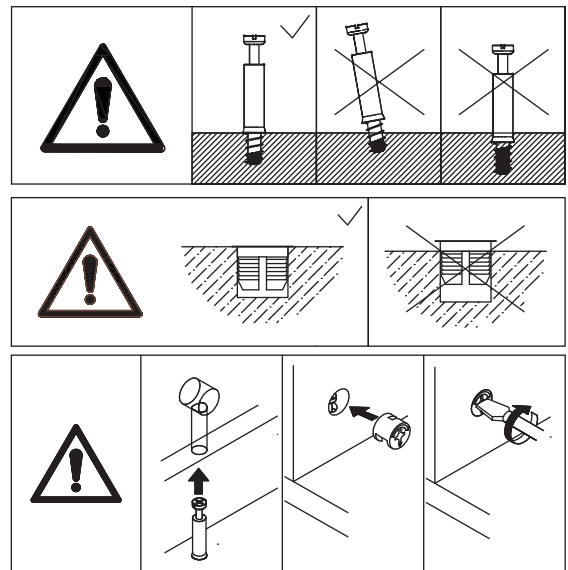


*This is a permanent label.
Do not remove!*



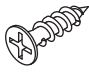
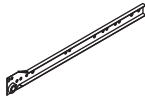
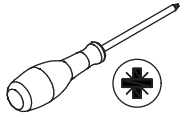
1



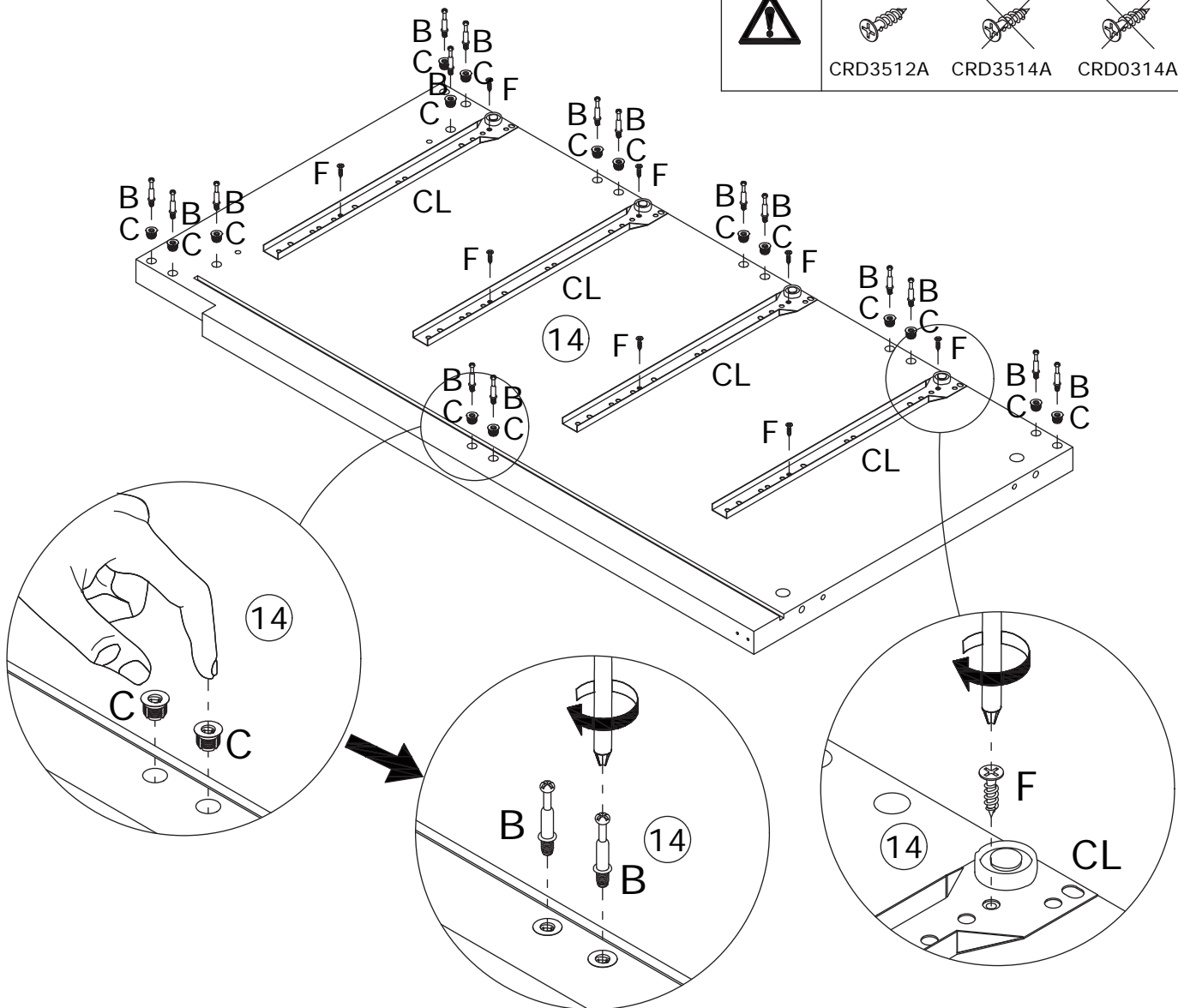
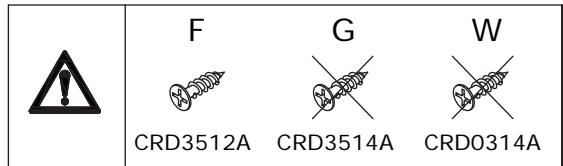
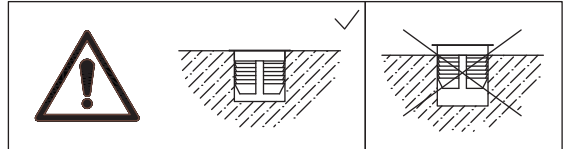
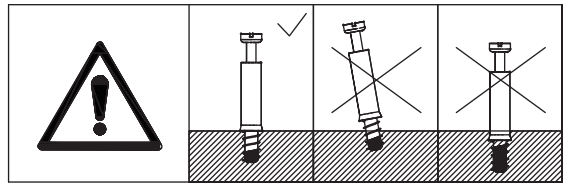
Insert plug (C) to panel 23, then screw self-tapping rod (B) onto.
Connect panel 29 to panel 23, then insert eccentric wheel (A) and tighten it by turning clockwise.



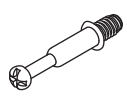


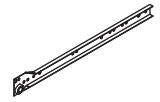
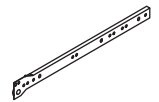
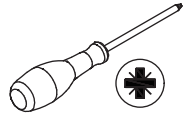
2

<p>B x 16 CRA0635B</p> 	<p>C x 16</p> 	<p>F x 8 CRD3512A</p> 	<p>CL x 4 WX1014A</p> 	
--	---	---	--	---

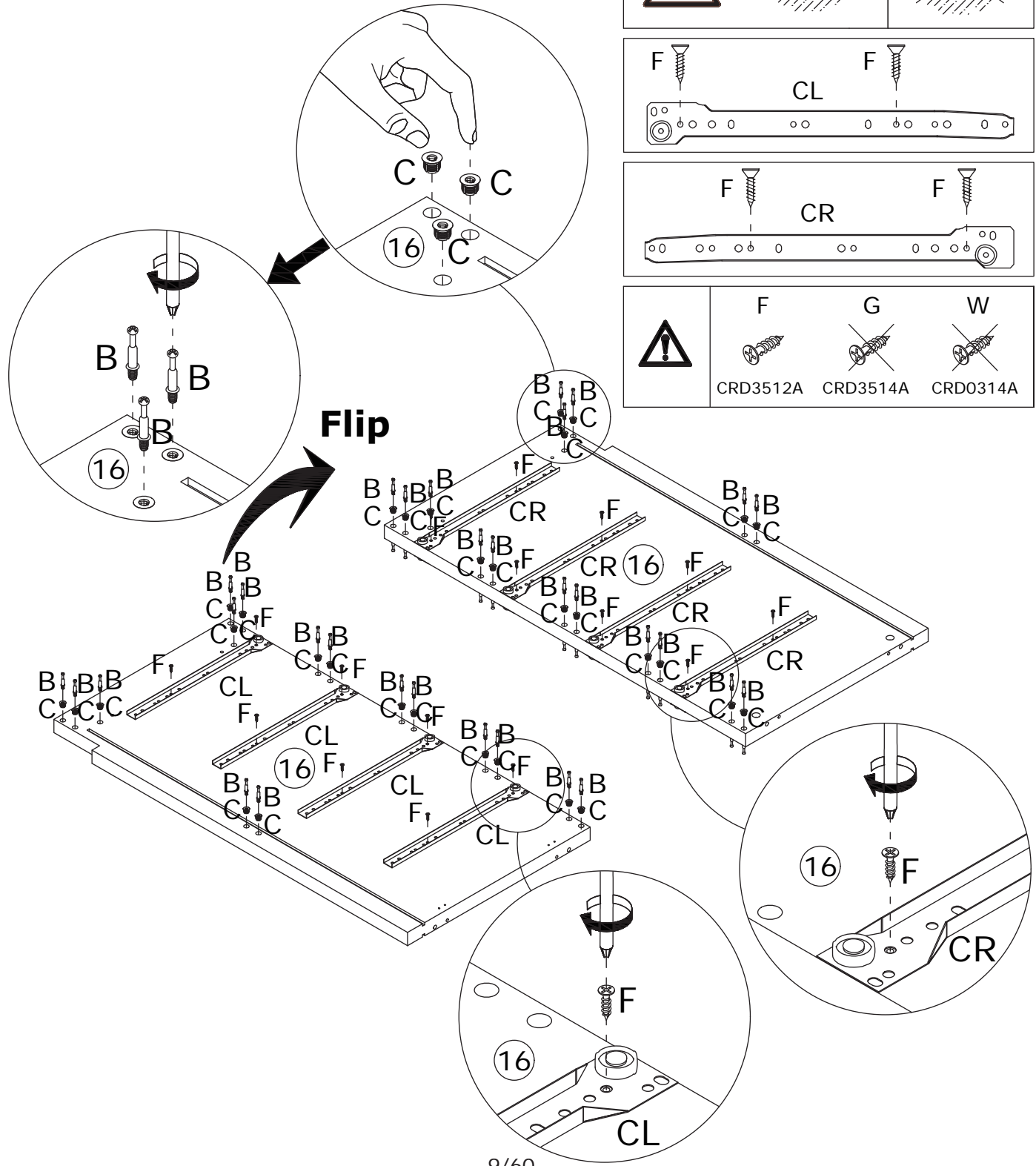
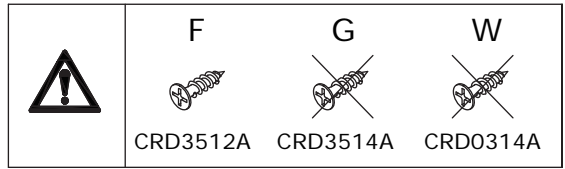
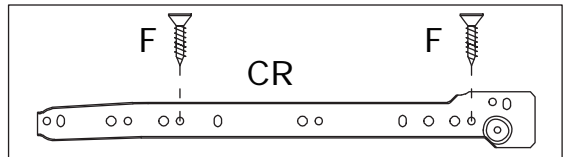
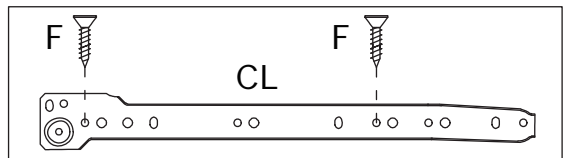
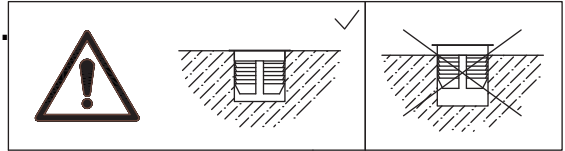
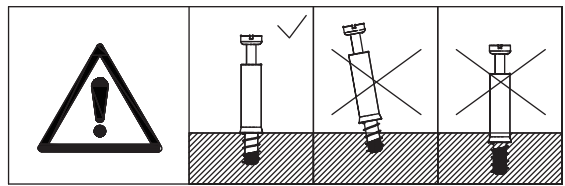
Insert plug (C) to panel 14, then screw self-tapping rod (B) onto.
Secure slide rail (CL) to panel 14 using screw (F).



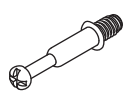

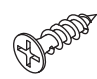
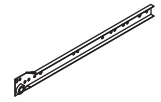
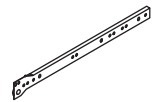
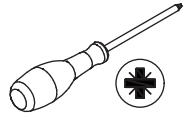
3

<p>B x 32 CRA0635B</p> 	<p>C x 32</p> 	<p>F x 16 CRD3512A</p> 	<p>CL x 4 WX1014A</p> 	<p>CR x 4 WX1014A</p> 	
--	---	--	--	---	---

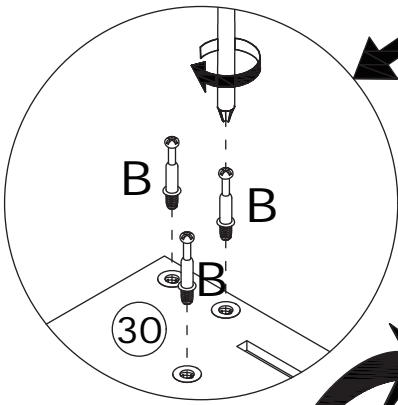
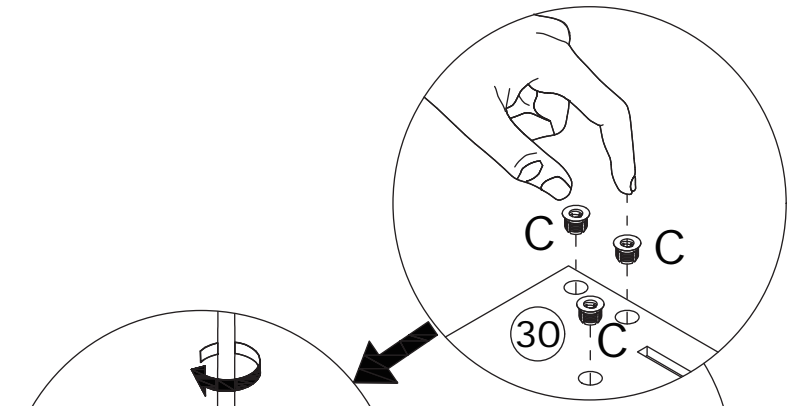
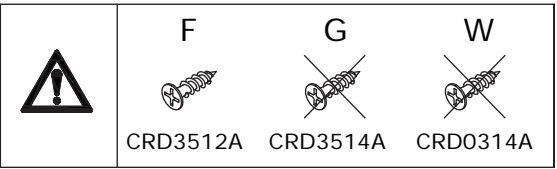
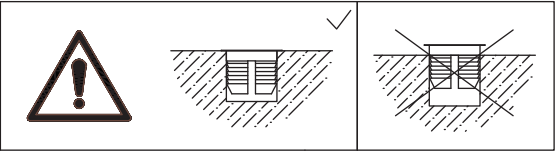
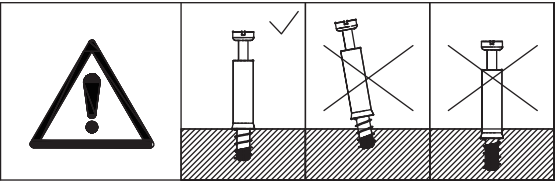
Insert plug (C) to panel 16, then screw self-tapping rod (B) onto. Secure slide rail (CL) to panel 16 using screw (F). **Flip it over**, secure slide rail (CR).



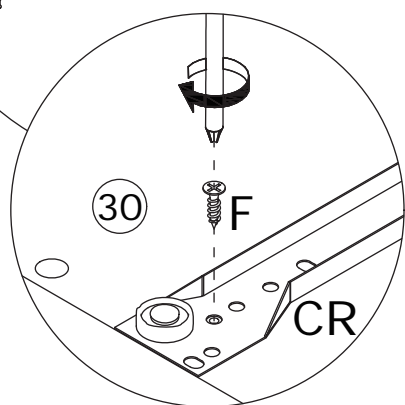
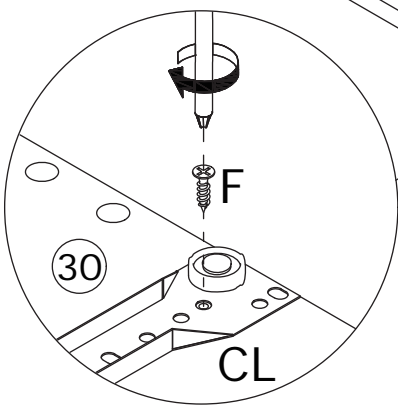
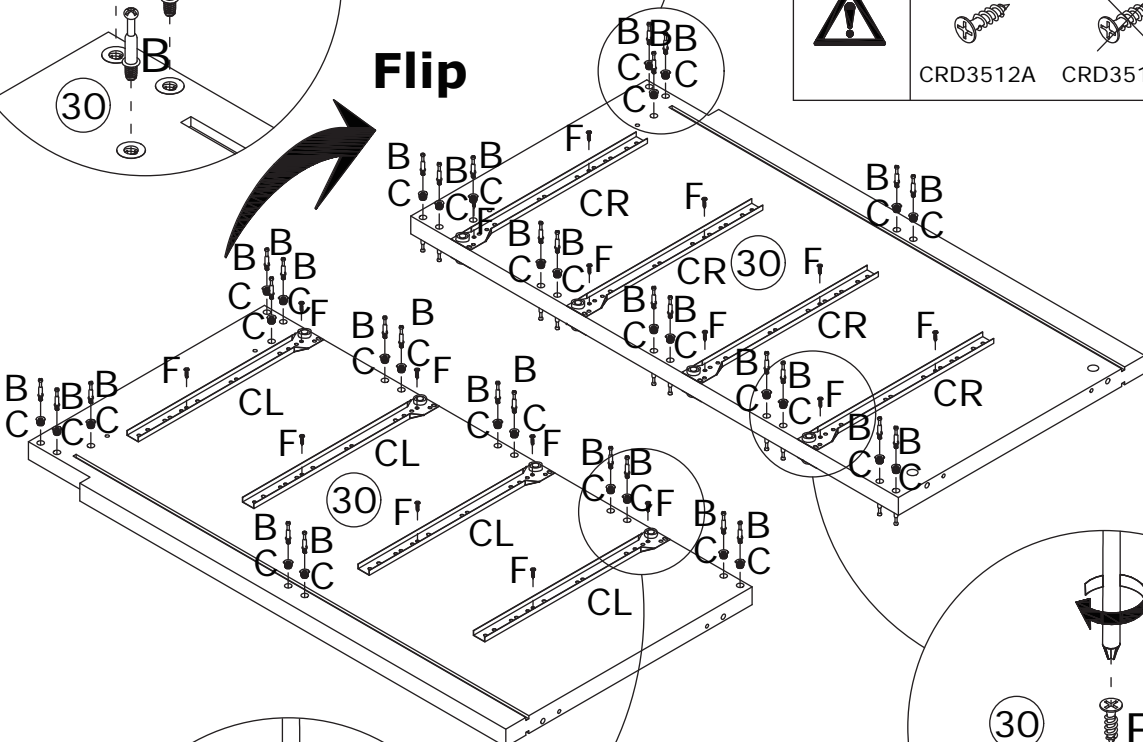
4

<p>B x 32 CRA0635B</p> 	<p>C x 32</p> 	<p>F x 16 CRD3512A</p> 	<p>CL x 4 WX1014A</p> 	<p>CR x 4 WX1014A</p> 	
--	---	--	--	---	---

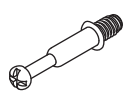

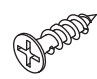
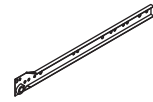
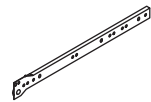
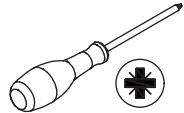
Insert plug (C) to panel 30, then screw self-tapping rod (B) onto. Secure slide rail (CL) to panel 30 using screw (F). **Flip it over**, secure slide rail (CR).



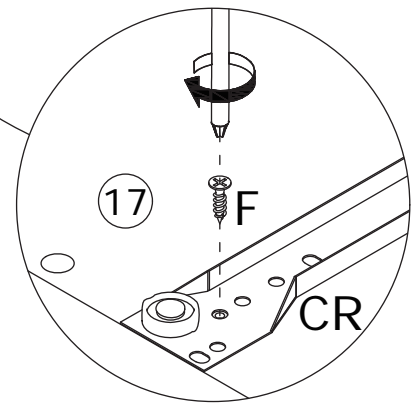
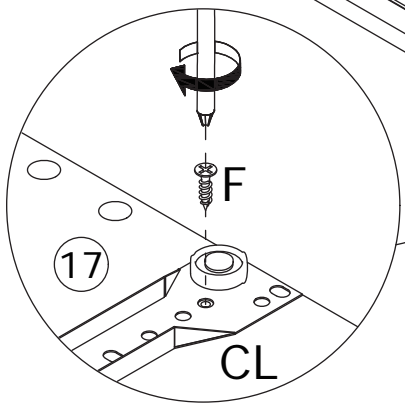
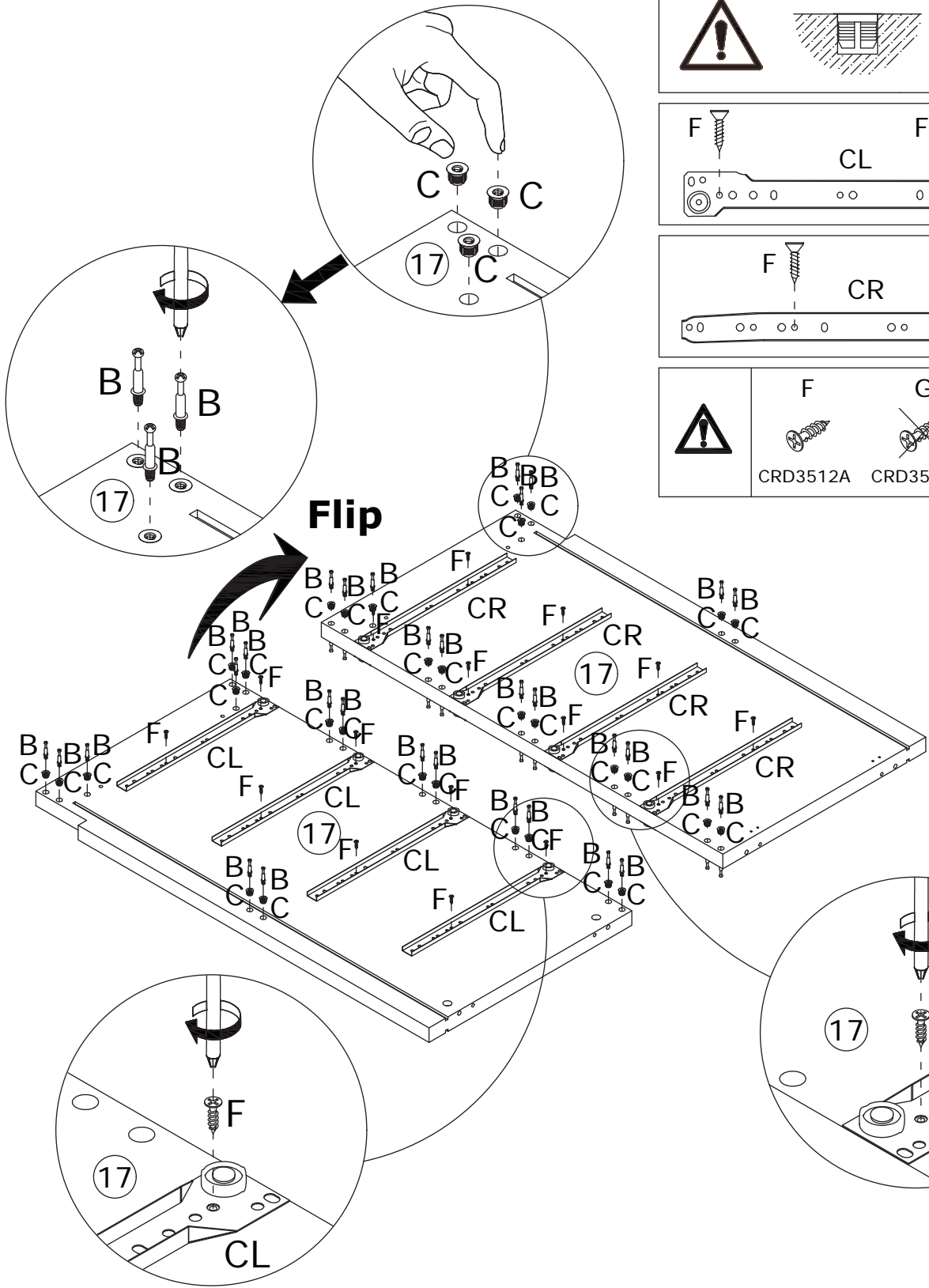
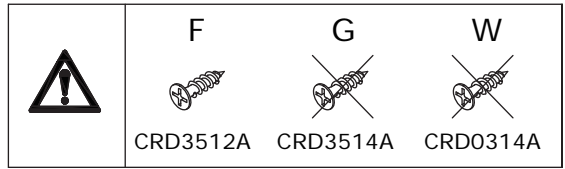
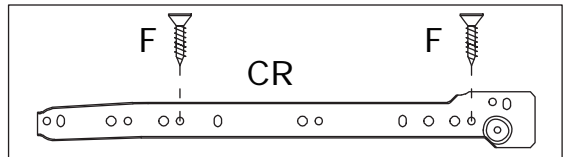
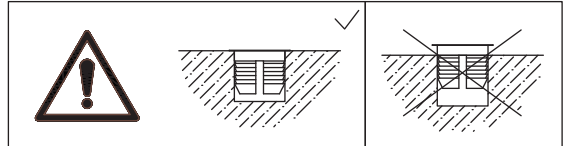
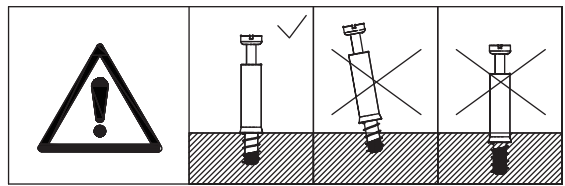
Flip





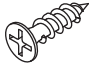
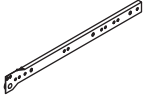
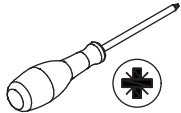
5

<p>B x 32 CRA0635B</p> 	<p>C x 32</p> 	<p>F x 16 CRD3512A</p> 	<p>CL x 4 WX1014A</p> 	<p>CR x 4 WX1014A</p> 	
--	---	--	--	---	---

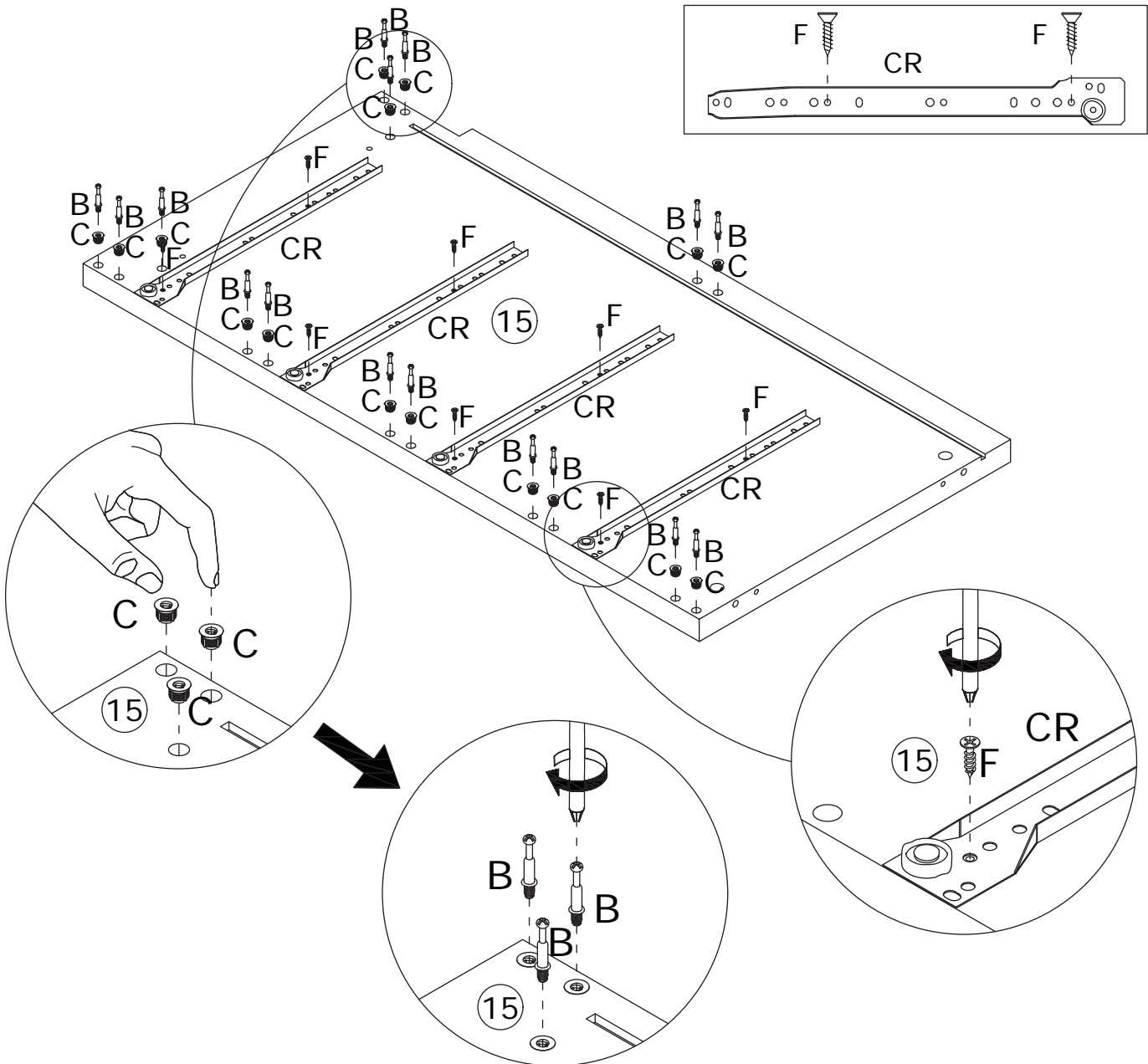
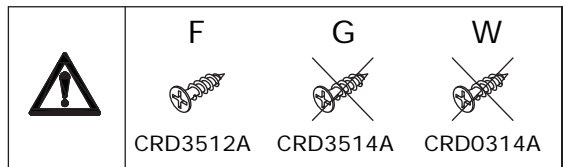
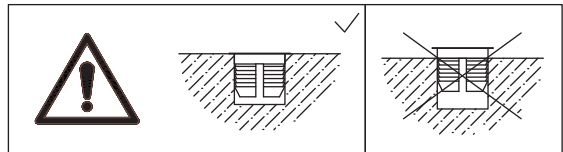
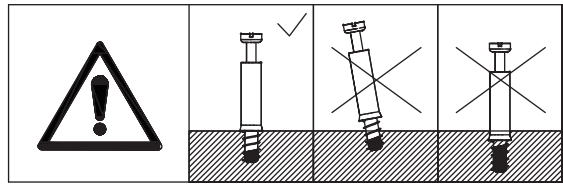
Insert plug (C) to panel 17, then screw self-tapping rod (B) onto. Secure slide rail (CL) to panel 17 using screw (F). **Flip it over**, secure slide rail (CR).



6

<p>B x 16 CRA0635B</p> 	<p>C x 16</p> 	<p>F x 8 CRD3512A</p> 	<p>CR x 4 WX1014A</p> 	
--	---	---	--	---

Insert plug (C) to panel 15, then screw self-tapping rod (B) onto.
Secure slide rail (CR) to panel 15 using screw (F).

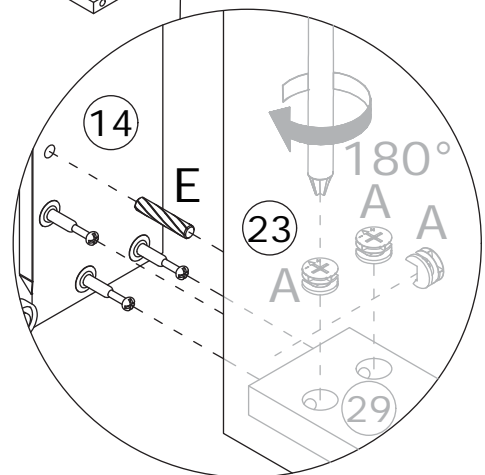
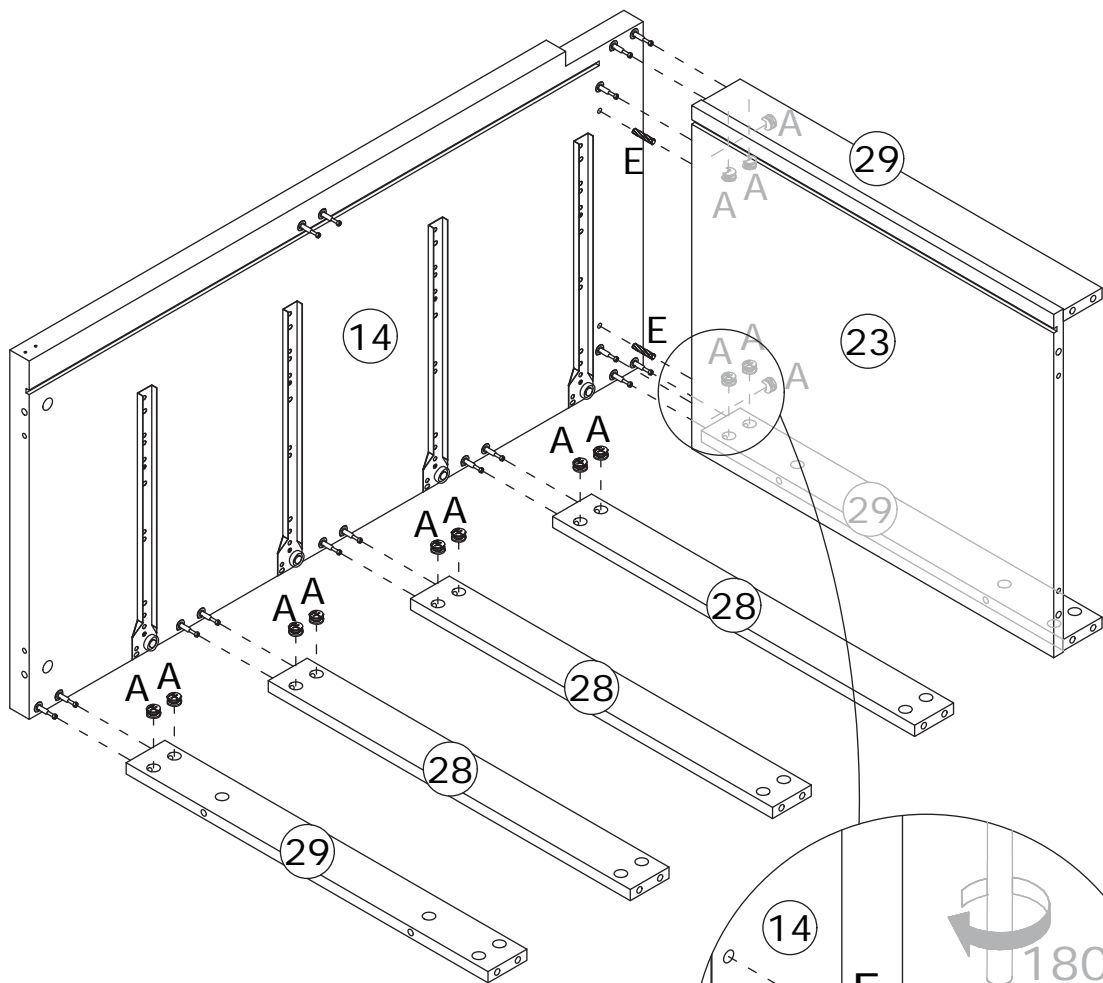
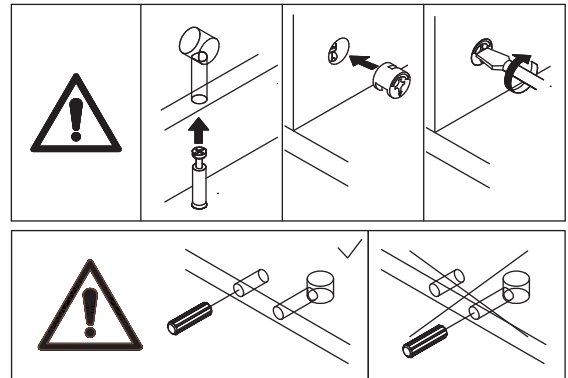


7



Insert wooden dowel (E) into panel 23.

Connect panel 28, 23, and 29 to panel 14, then insert eccentric wheel (A) and tighten it by turning clockwise.

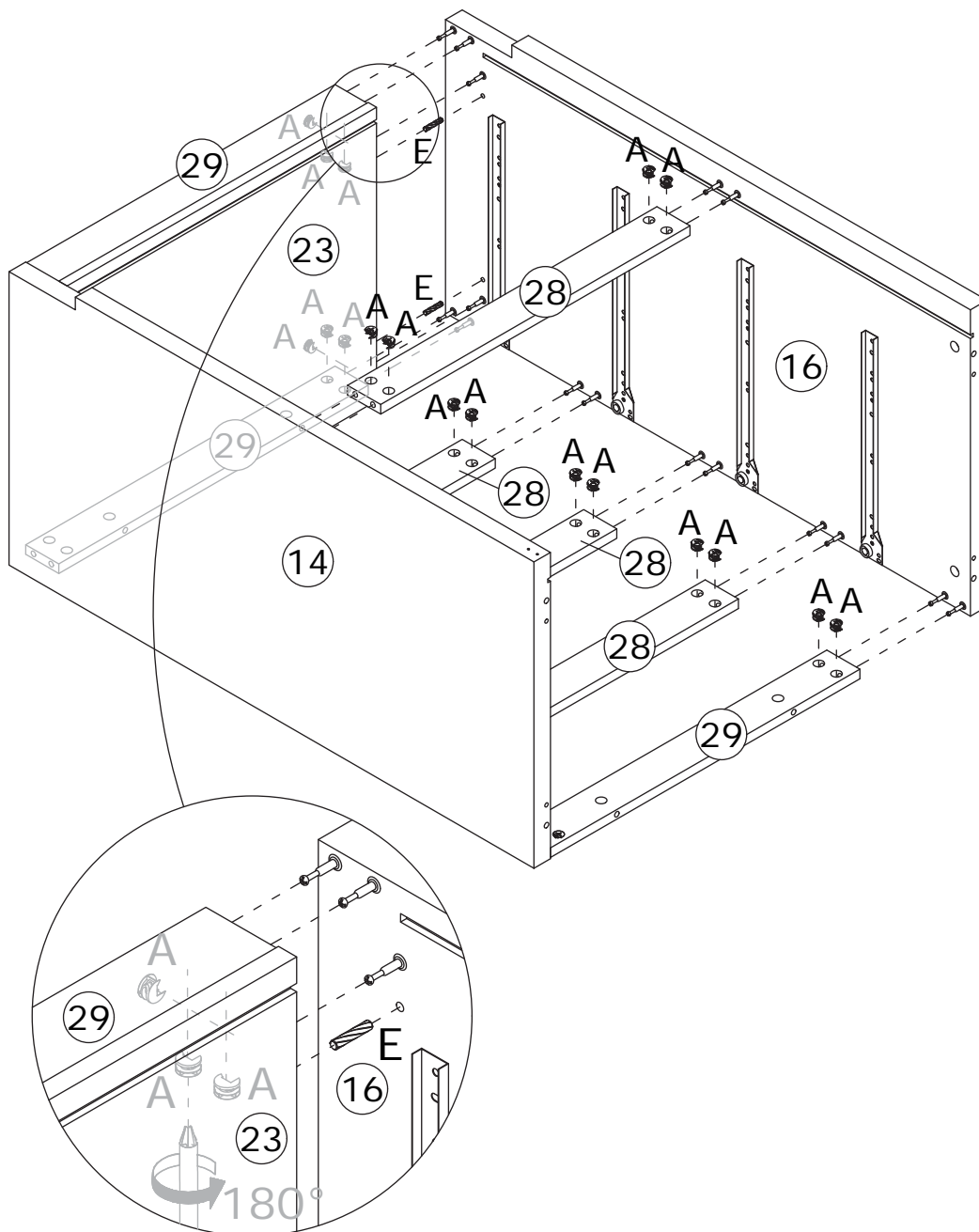
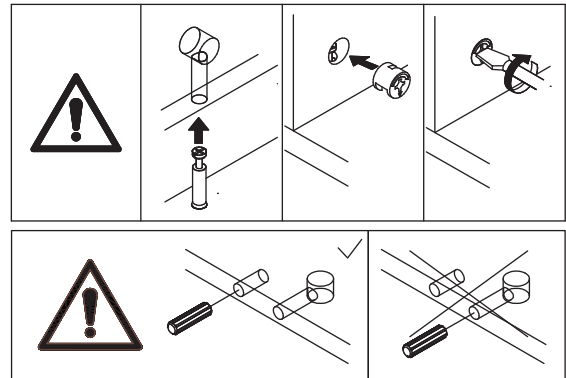


8



Insert wooden dowel (E) into panel 23.

Connect panel 28, 23, and 29 to panel 16, then insert eccentric wheel (A) and tighten it by turning clockwise.

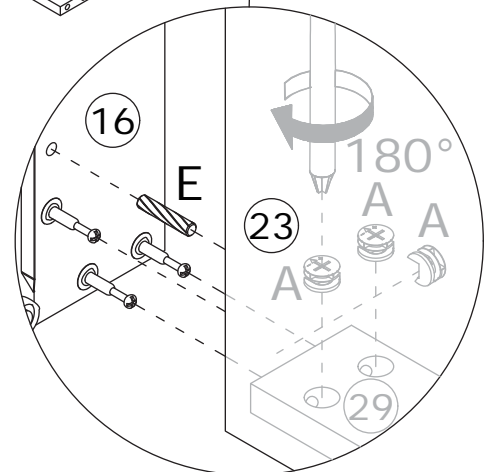
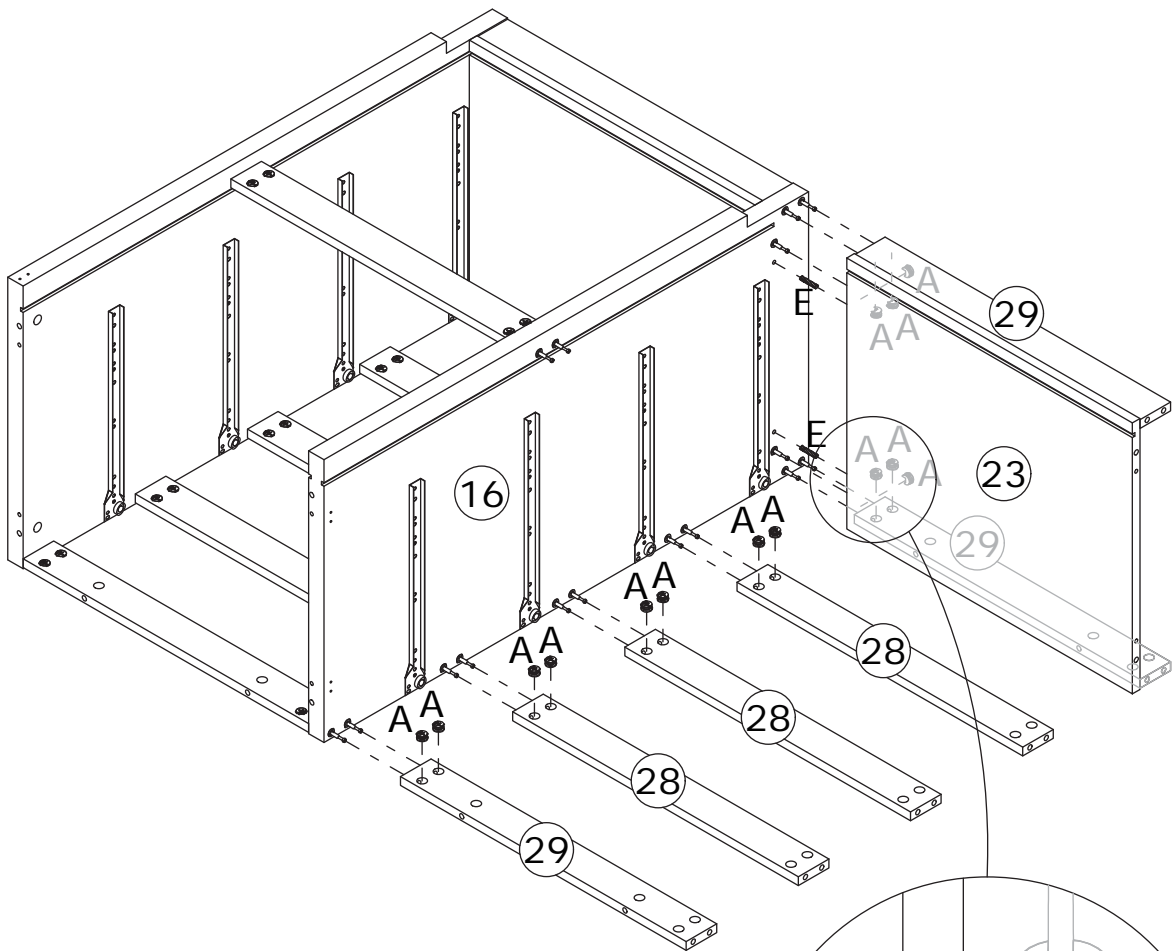
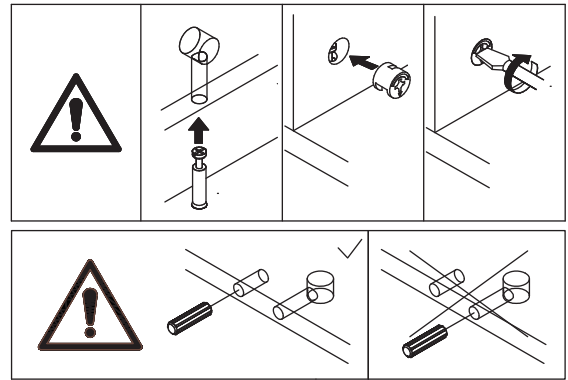


9

A x 14  CRB1595A	E x 2  CRF0630A	
---	--	---

Insert wooden dowel (E) into panel 23.

Connect panel 28, 23, and 29 to panel 16, then insert eccentric wheel (A) and tighten it by turning clockwise.

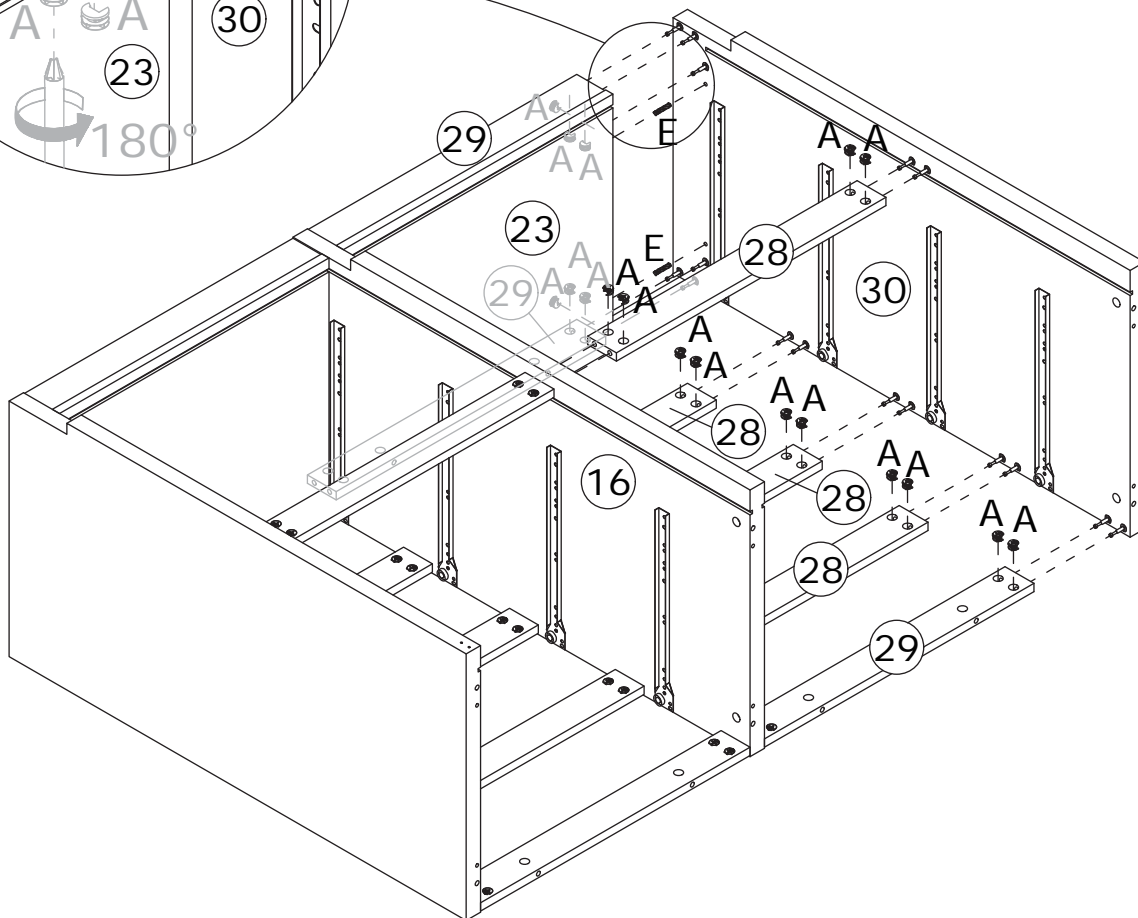
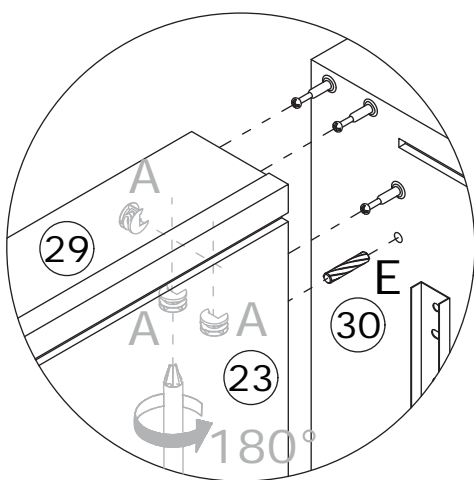
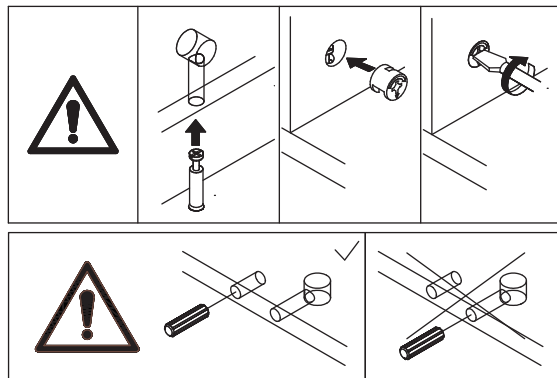


10



Insert wooden dowel (E) into panel 23.

Connect panel 28, 23, and 29 to panel 30, then insert eccentric wheel (A) and tighten it by turning clockwise.

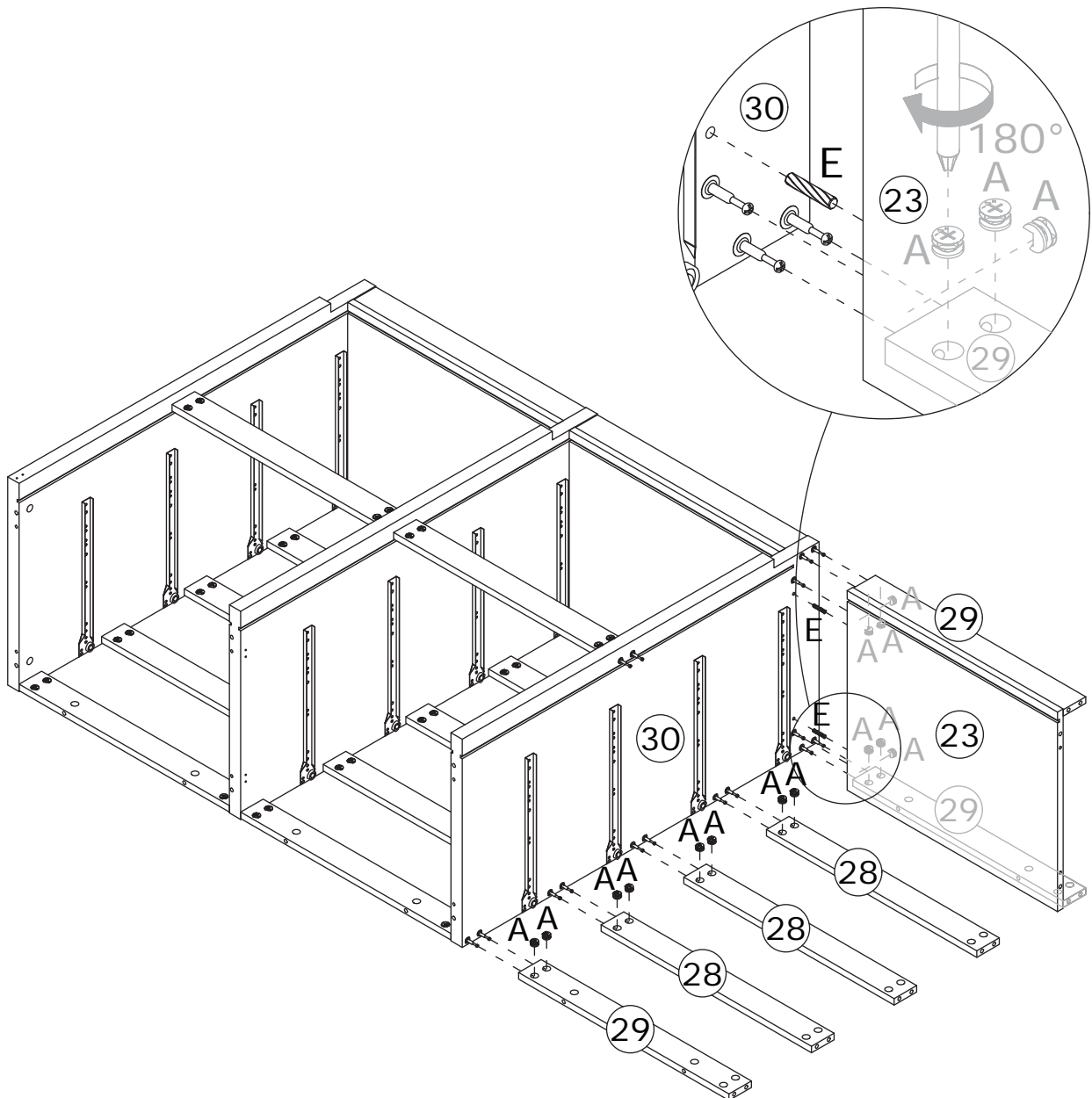
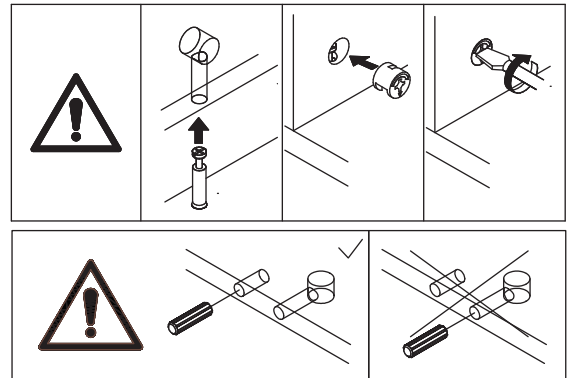


11

A x 14  CRB1595A	E x 2  CRF0630A	
---	--	---

Insert wooden dowel (E) into panel 23.

Connect panel 28, 23, and 29 to panel 30, then insert eccentric wheel (A) and tighten it by turning clockwise.

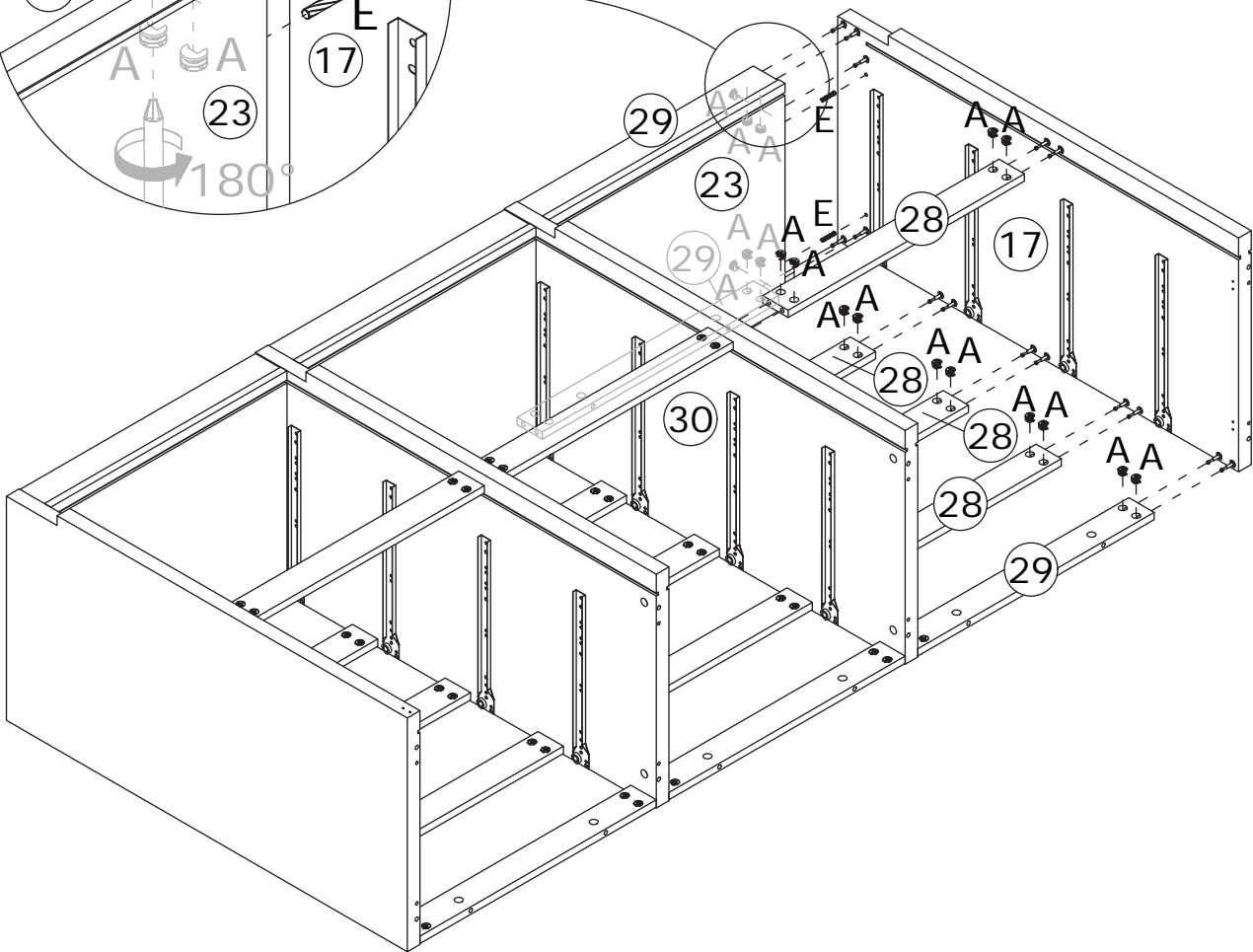
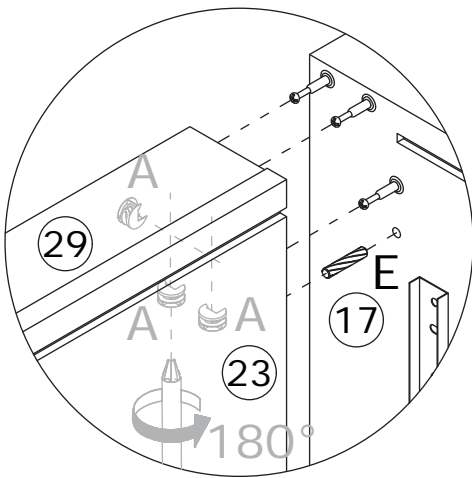
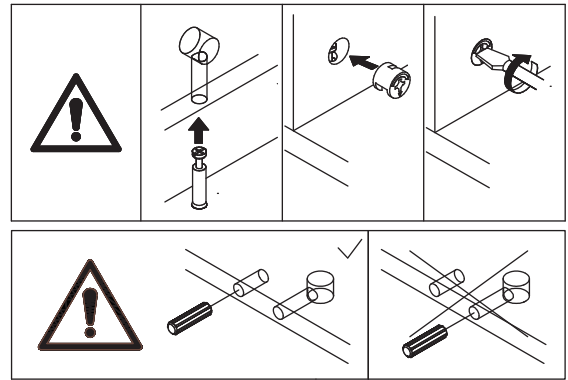


12



Insert wooden dowel (E) into panel 23.

Connect panel 28, 23, and 29 to panel 17, then insert eccentric wheel (A) and tighten it by turning clockwise.

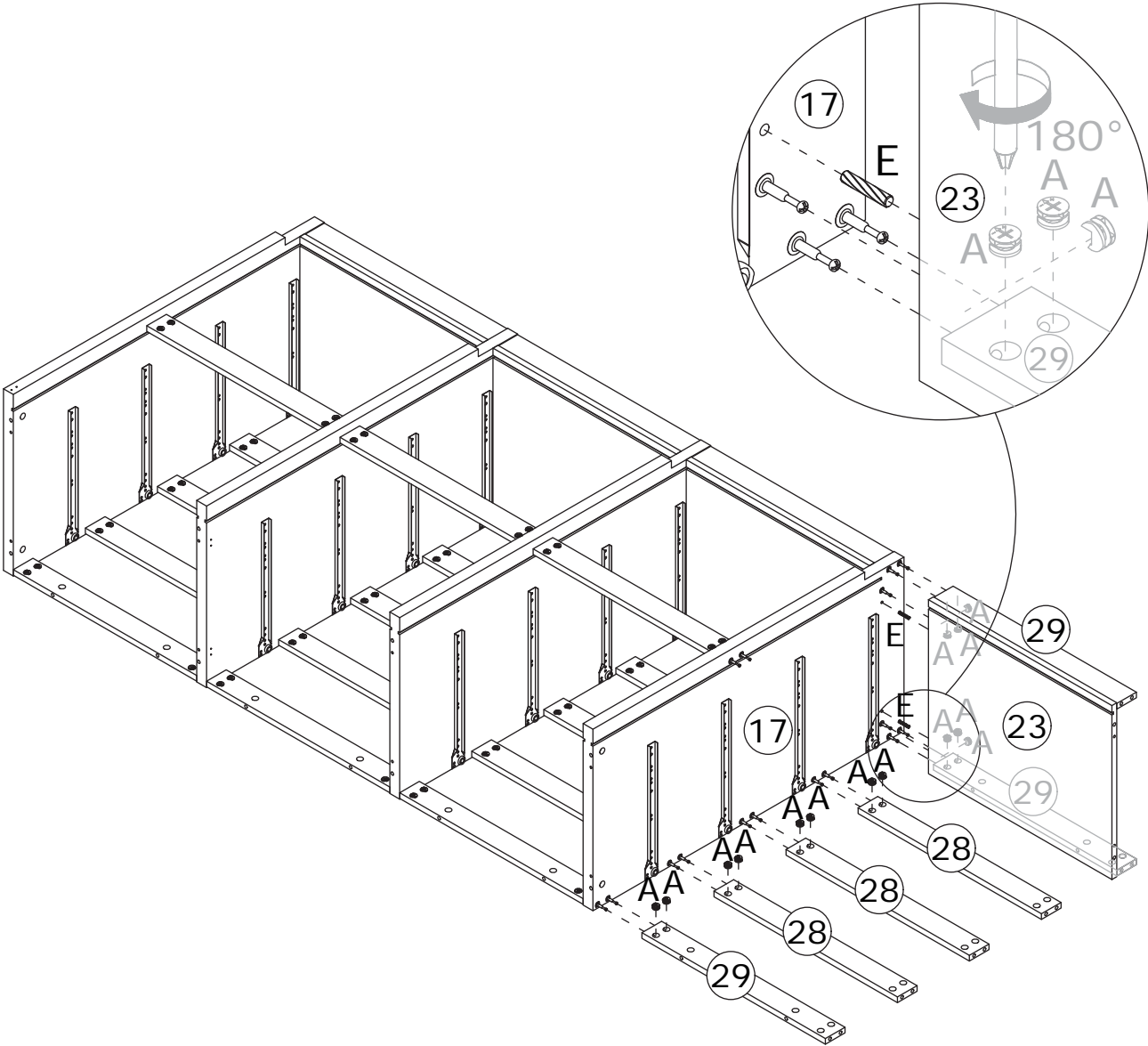
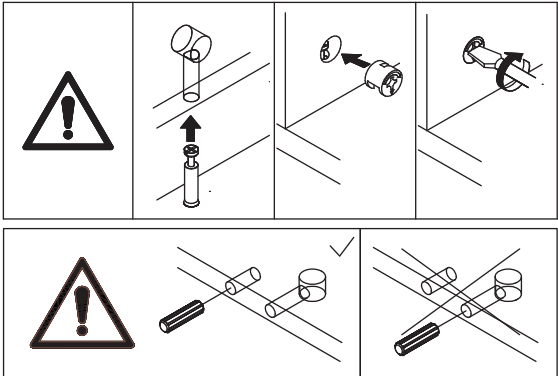


13

A x 14  CRB1595A	E x 2  CRF0630A	
---	--	---

Insert wooden dowel (E) into panel 23.

Connect panel 28, 23, and 29 to panel 17, then insert eccentric wheel (A) and tighten it by turning clockwise.

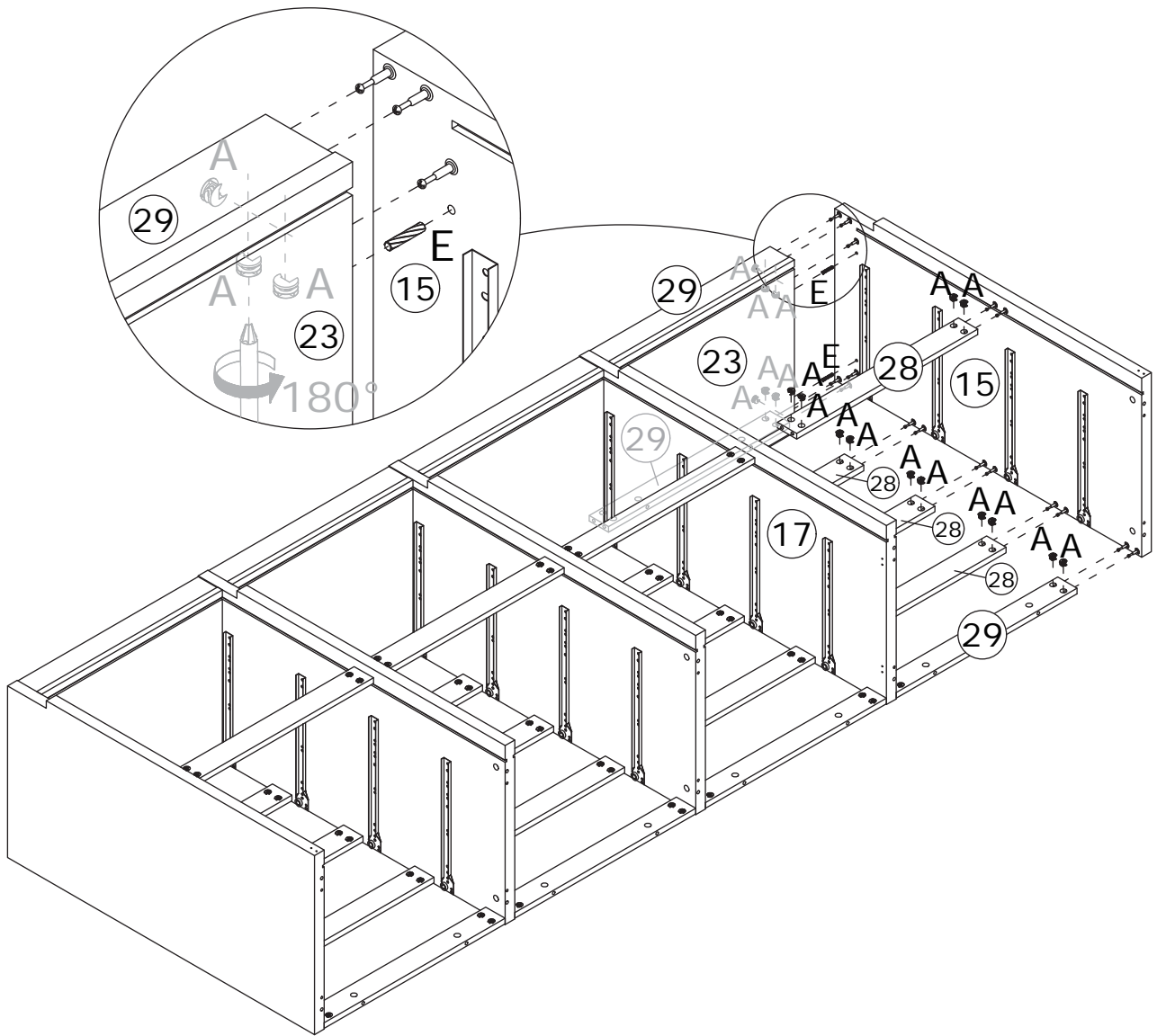
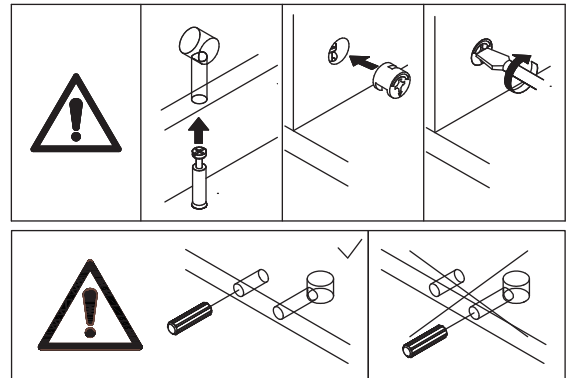


14



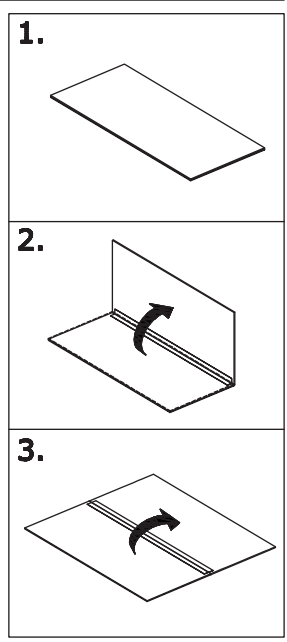
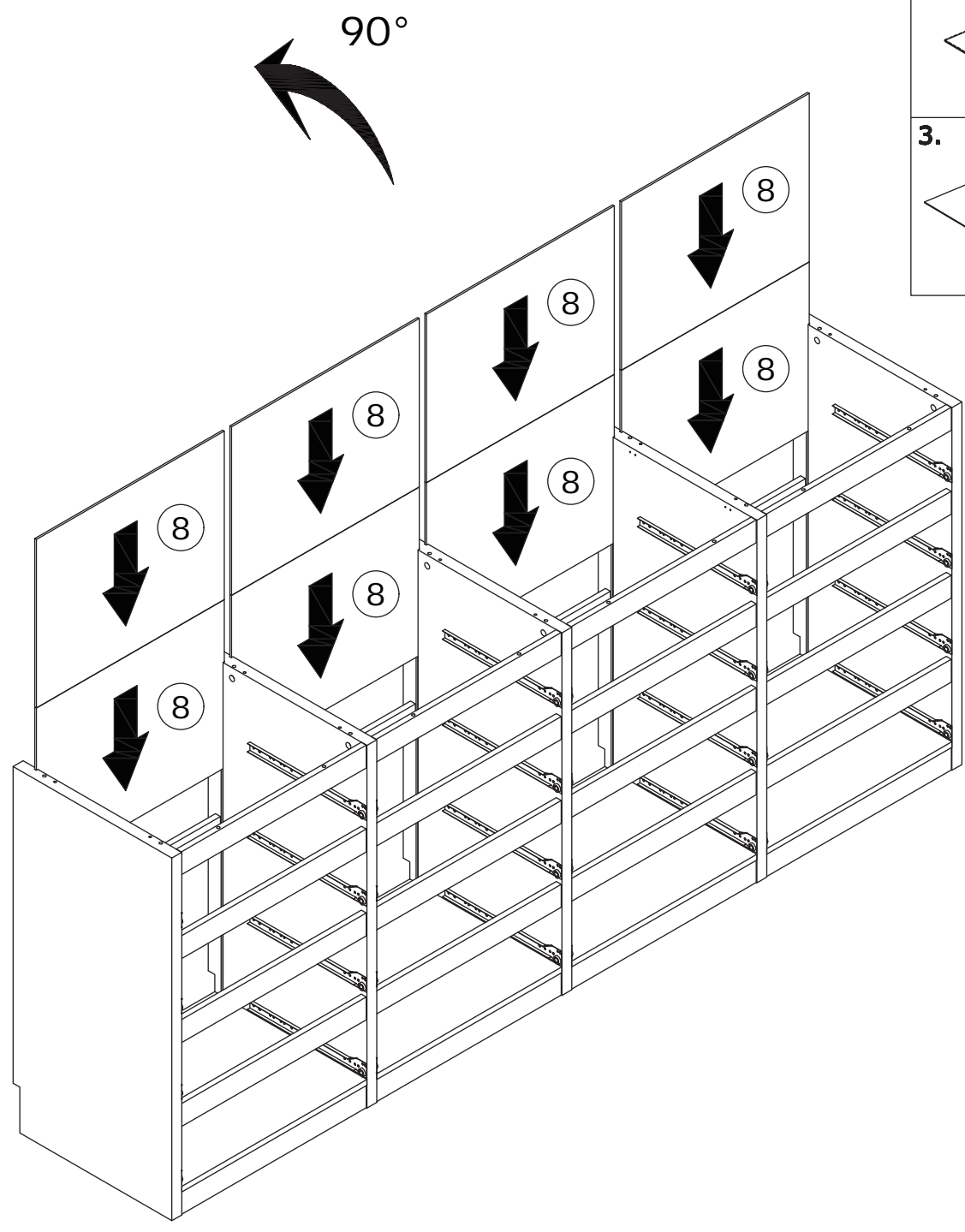
Insert wooden dowel (E) into panel 23.

Connect panel 28, 23, and 29 to panel 15, then insert eccentric wheel (A) and tighten it by turning clockwise.



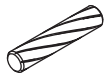
15

Slide panel 8 along the available slots.

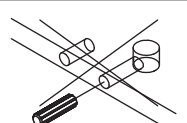
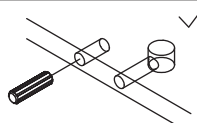


16

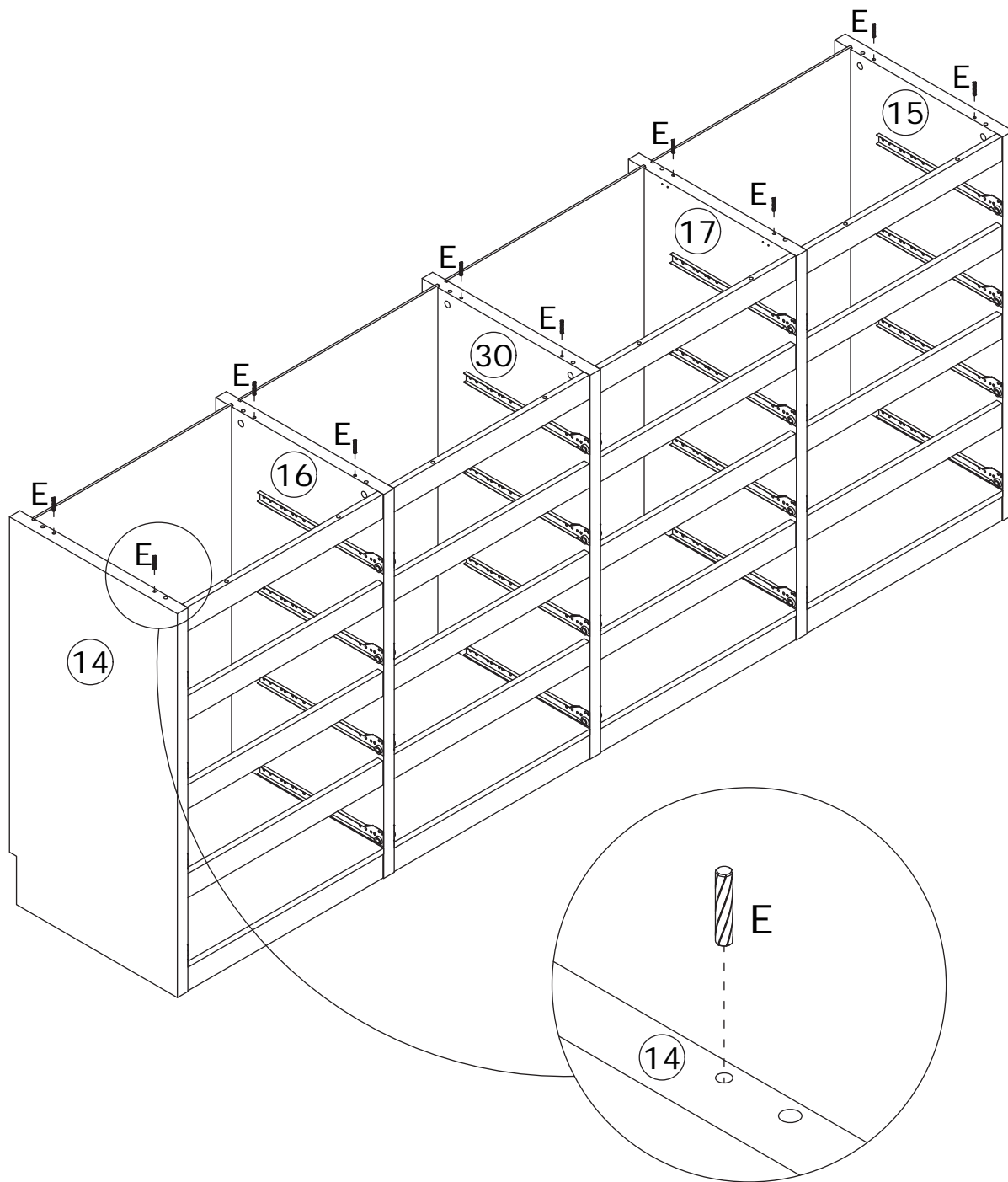
E x 10



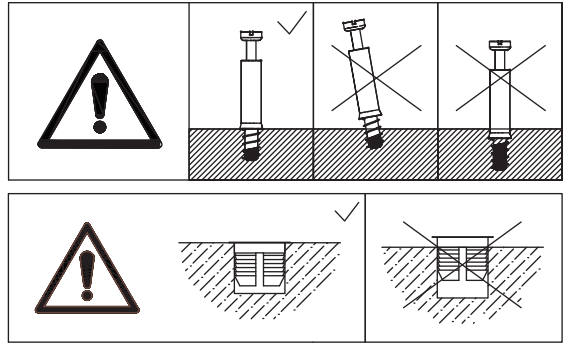
CRF0630A



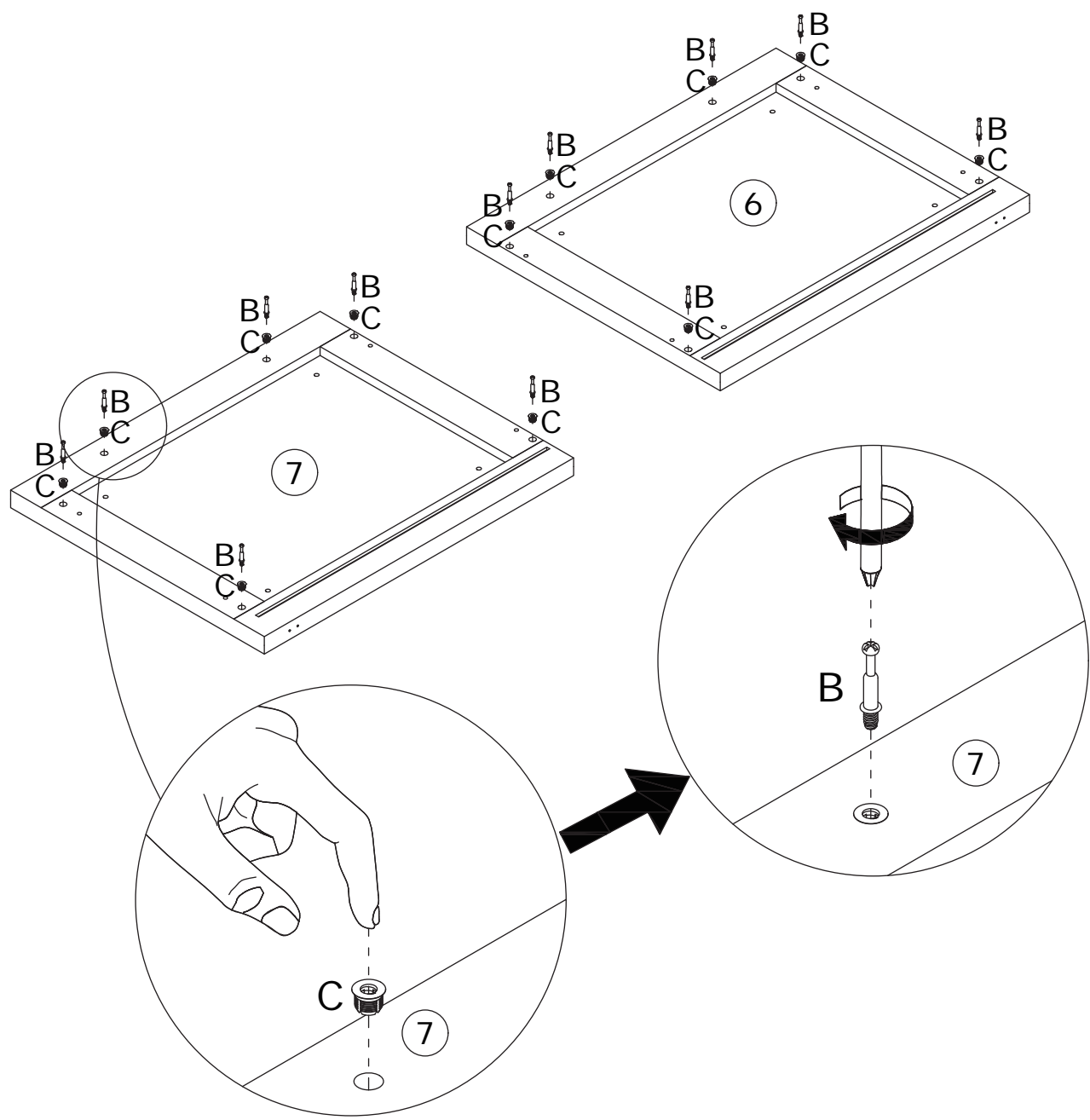
Insert wooden dowel (E) into panel 14, 15, 16, 17, and 30.



17



Insert plug (C) to panel 6 and 7, then screw self-tapping rod (B) onto.

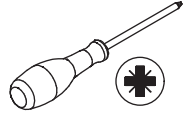


18

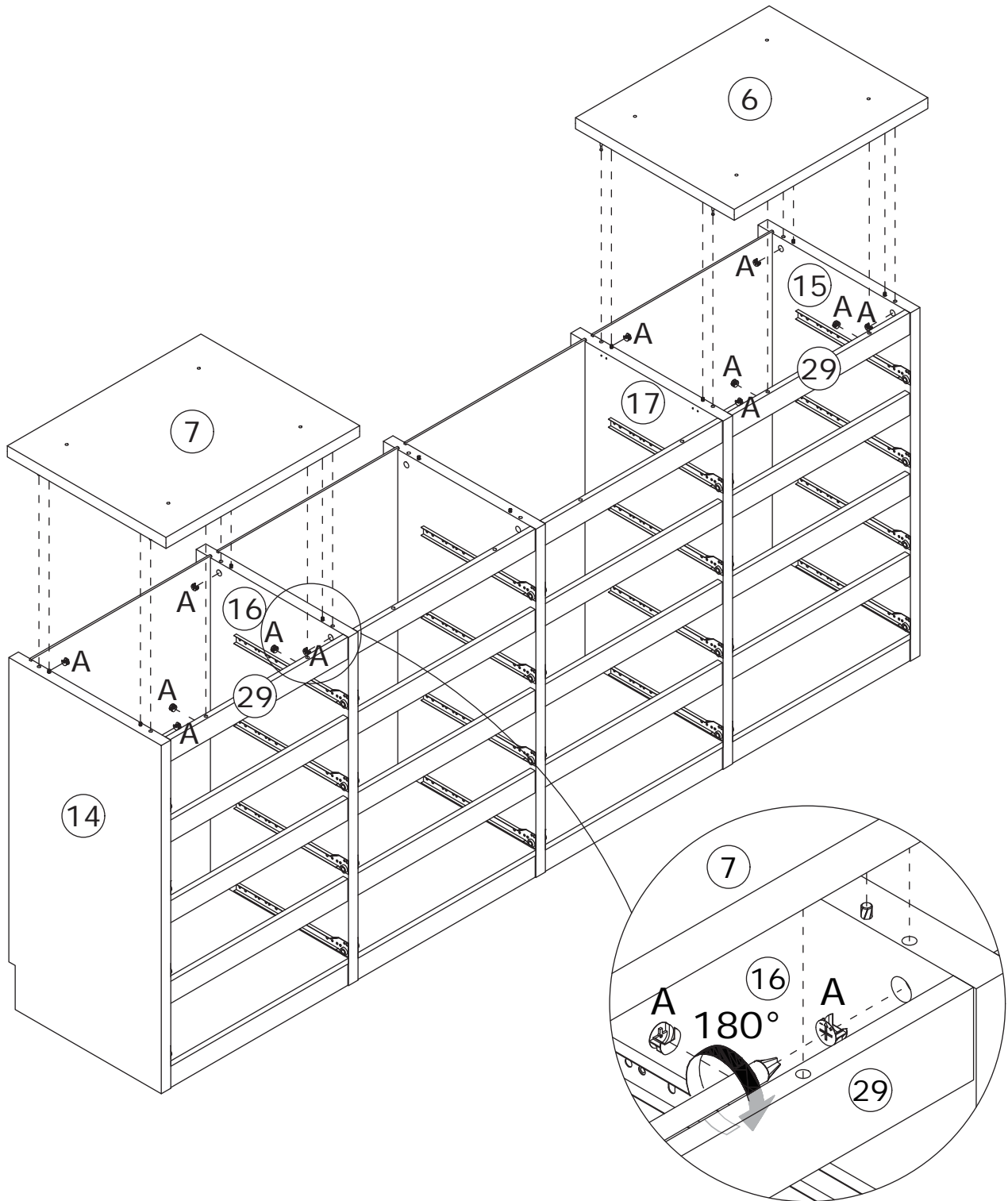
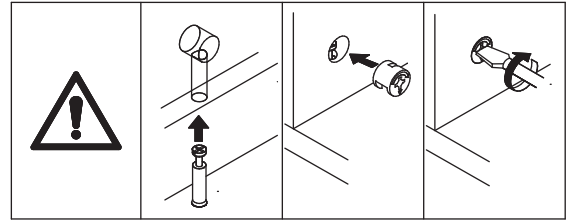
A x 12



CRB1595A



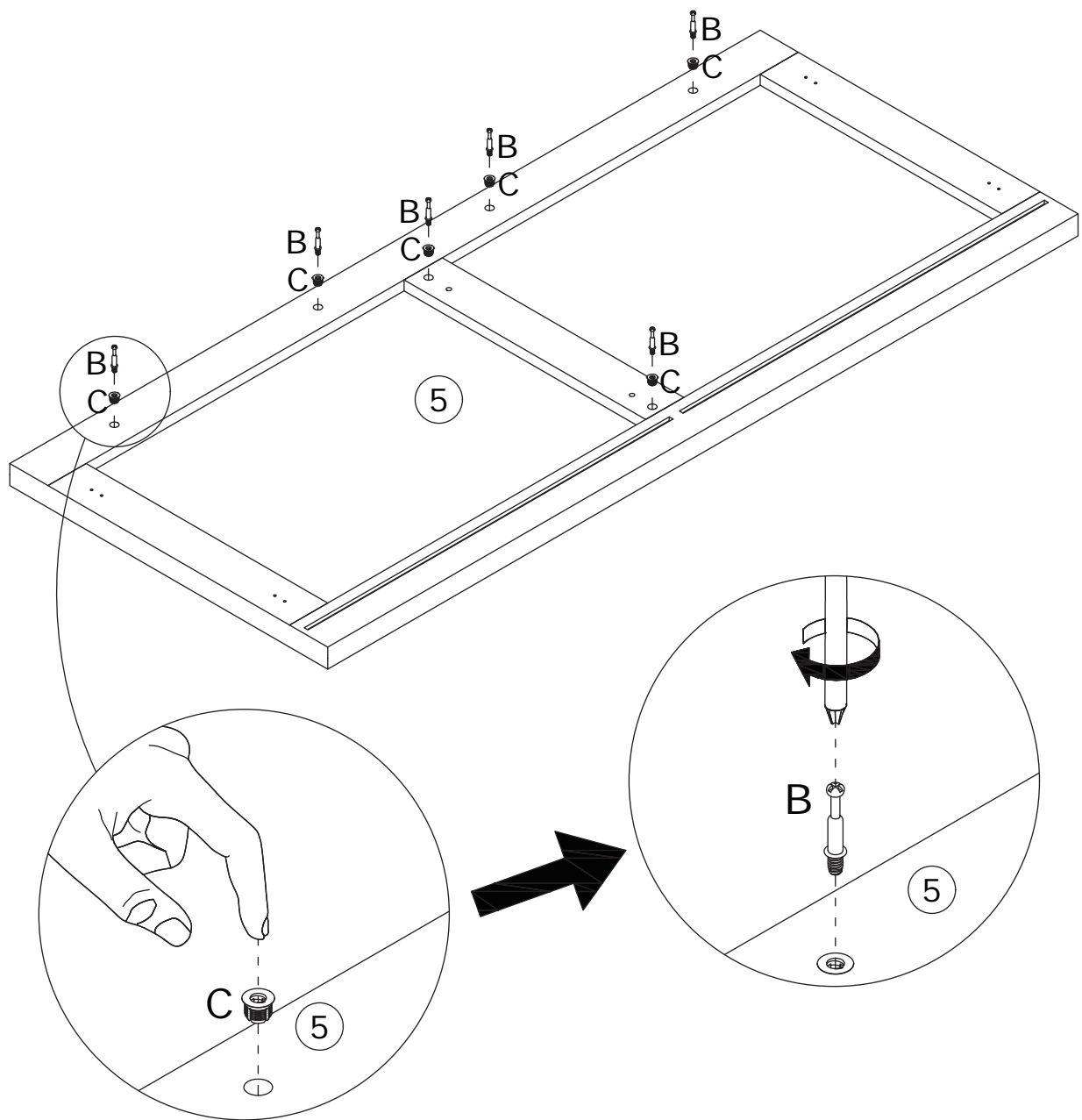
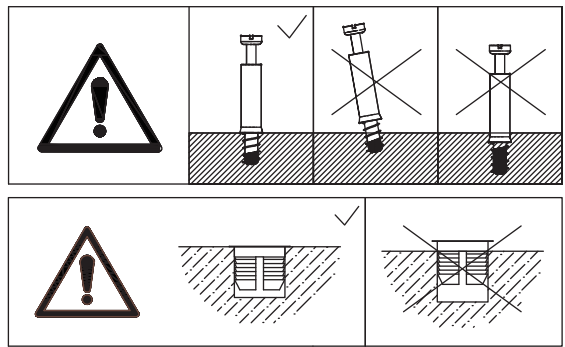
Connect panel 6 and 7 to the top of the unit, then insert eccentric wheel (A) and tighten it by turning clockwise.



19

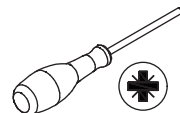


Insert plug (C) to panel 5, then screw self-tapping rod (B) onto.

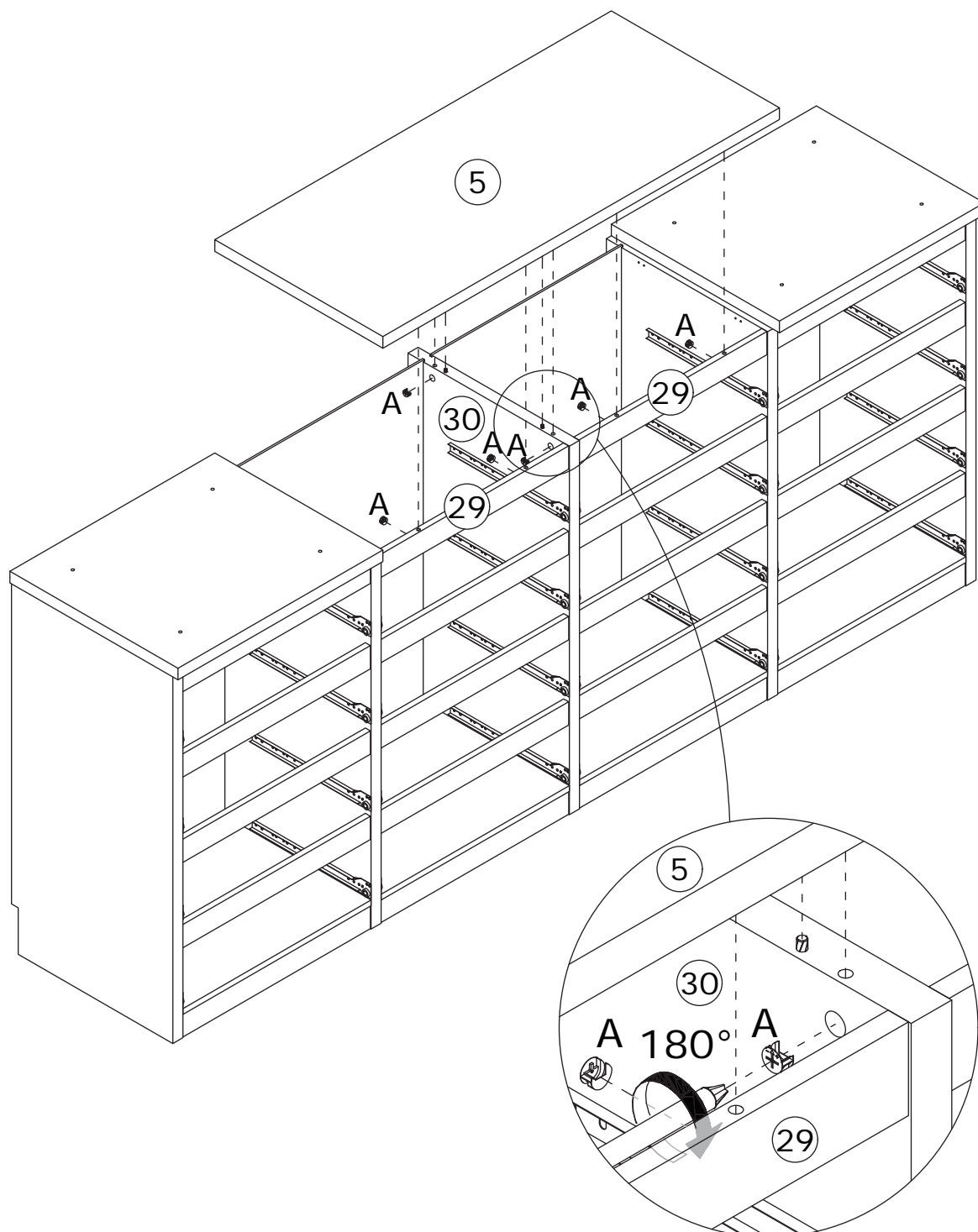
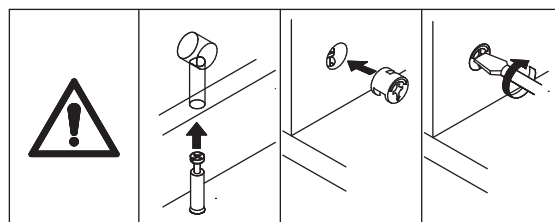


20

A x 6
CRB1595A




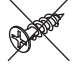


Connect panel 5 to top of the unit, then insert eccentric wheel (A) and tighten it by turning clockwise.

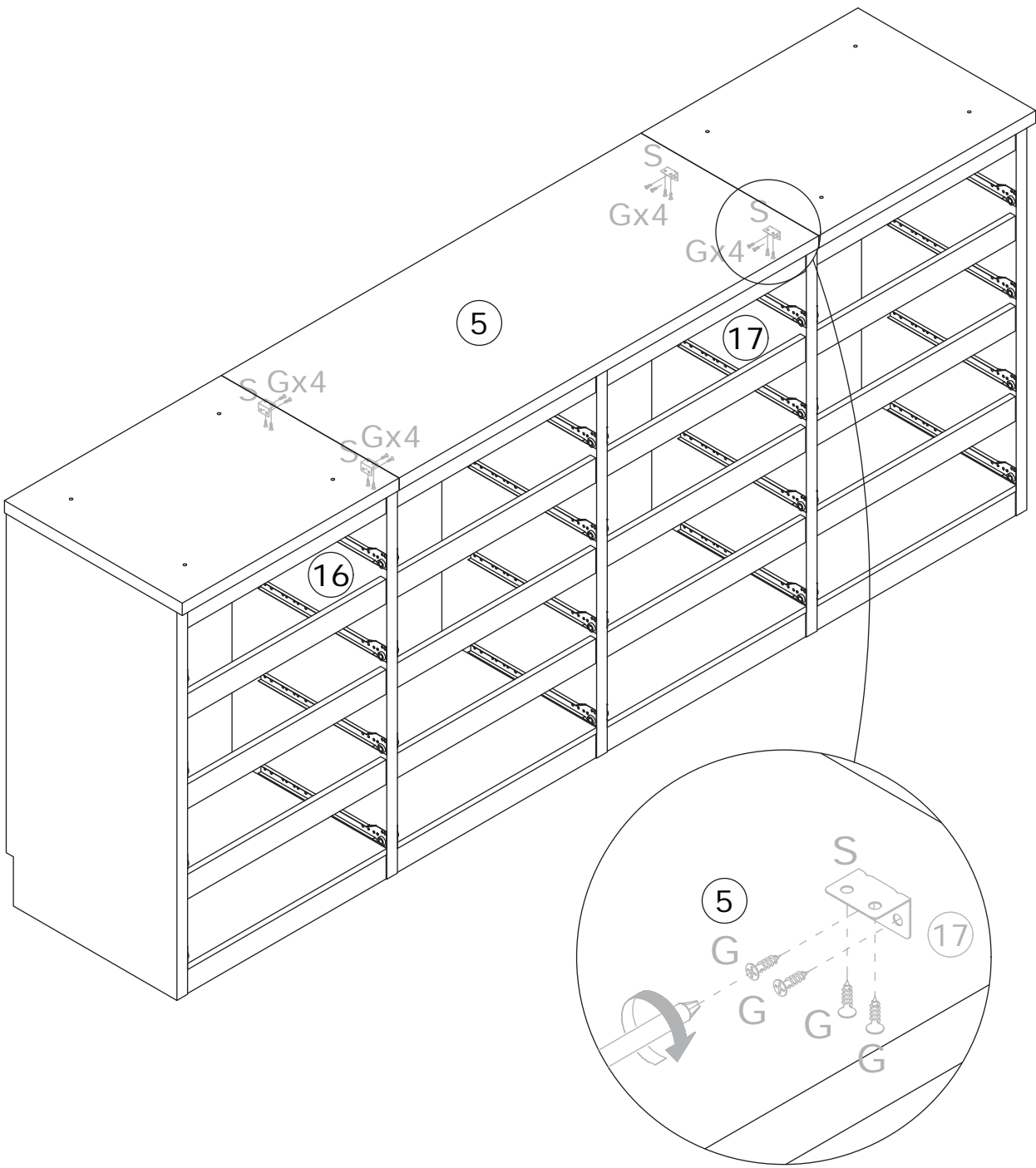


21

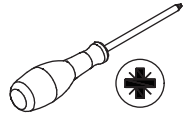
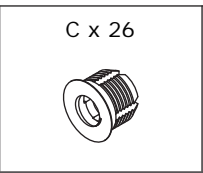
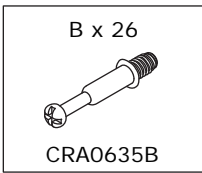
G x 16  CRD3514A	S x 4 	
---	--	---

	F  CRD3512A	G  CRD3514A	W  CRD0314A
--	--	--	--

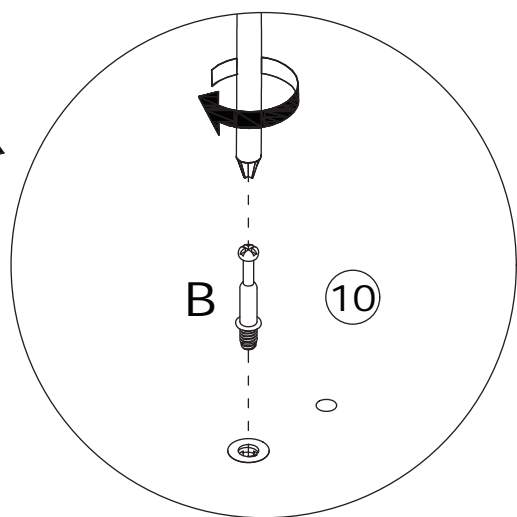
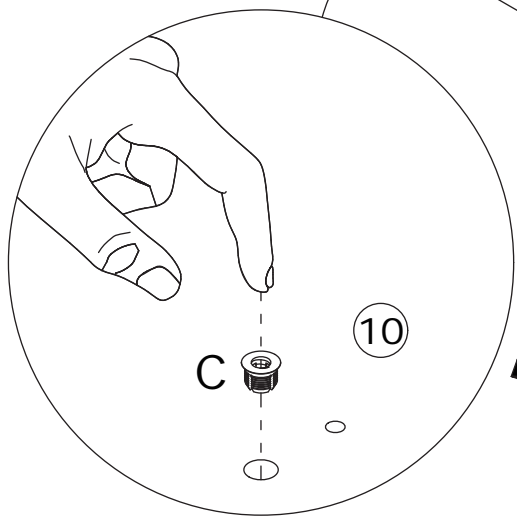
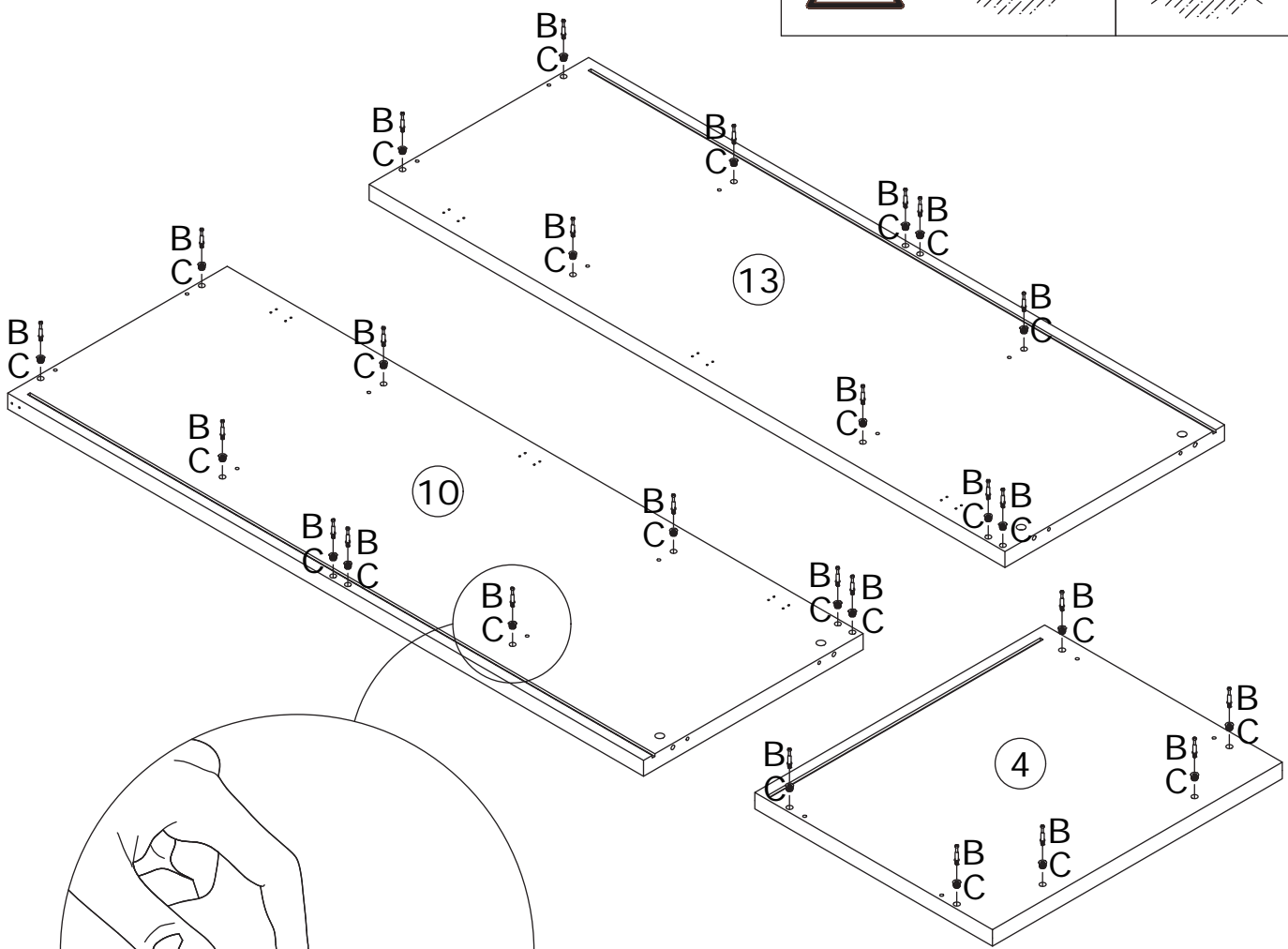
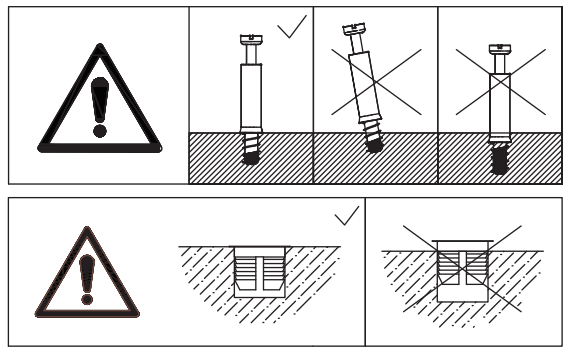
Secure bracket (S) to panel 5, 16, and 17 using screw (G).



22



Insert plug (C) to panel 4, 10, and 13, then screw self-tapping rod (B) onto.

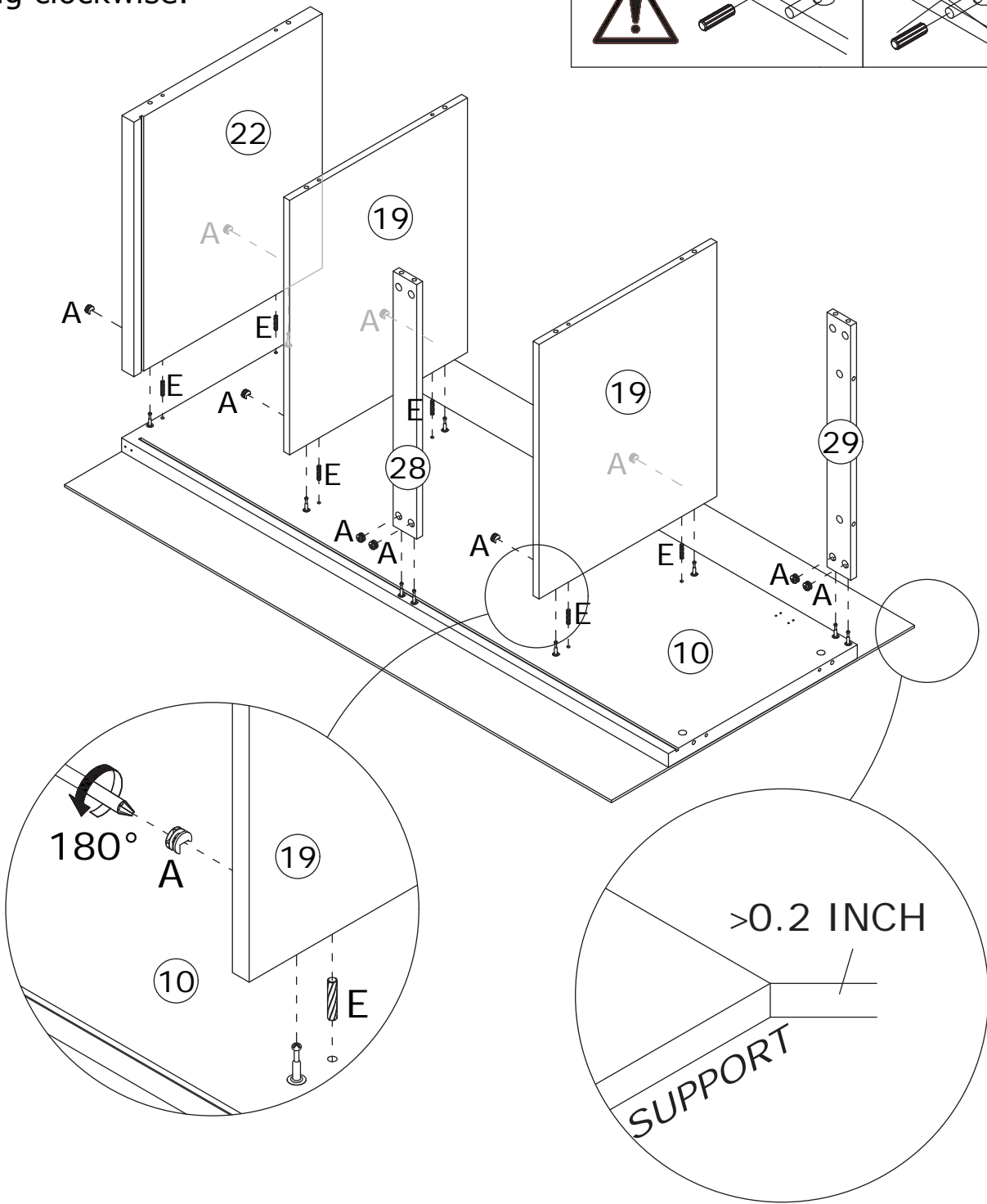
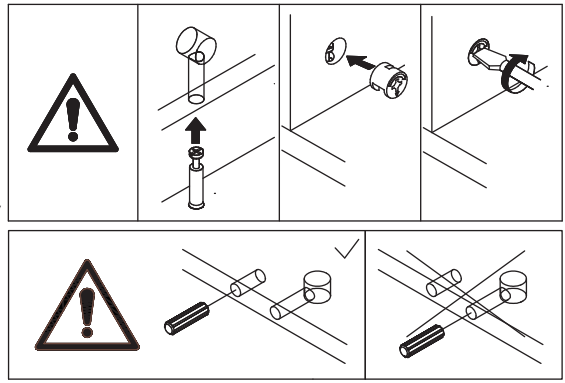


23



Place a shim about 0.2 inches thick under panel 10.

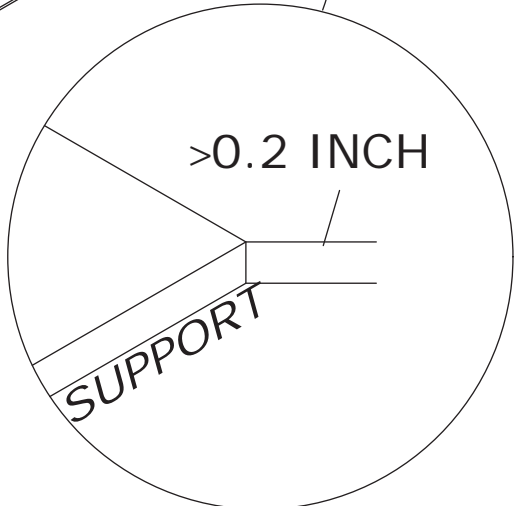
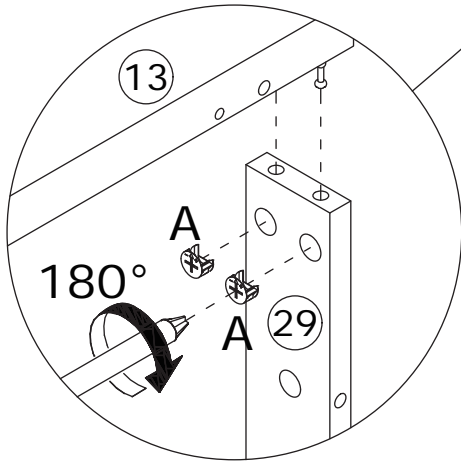
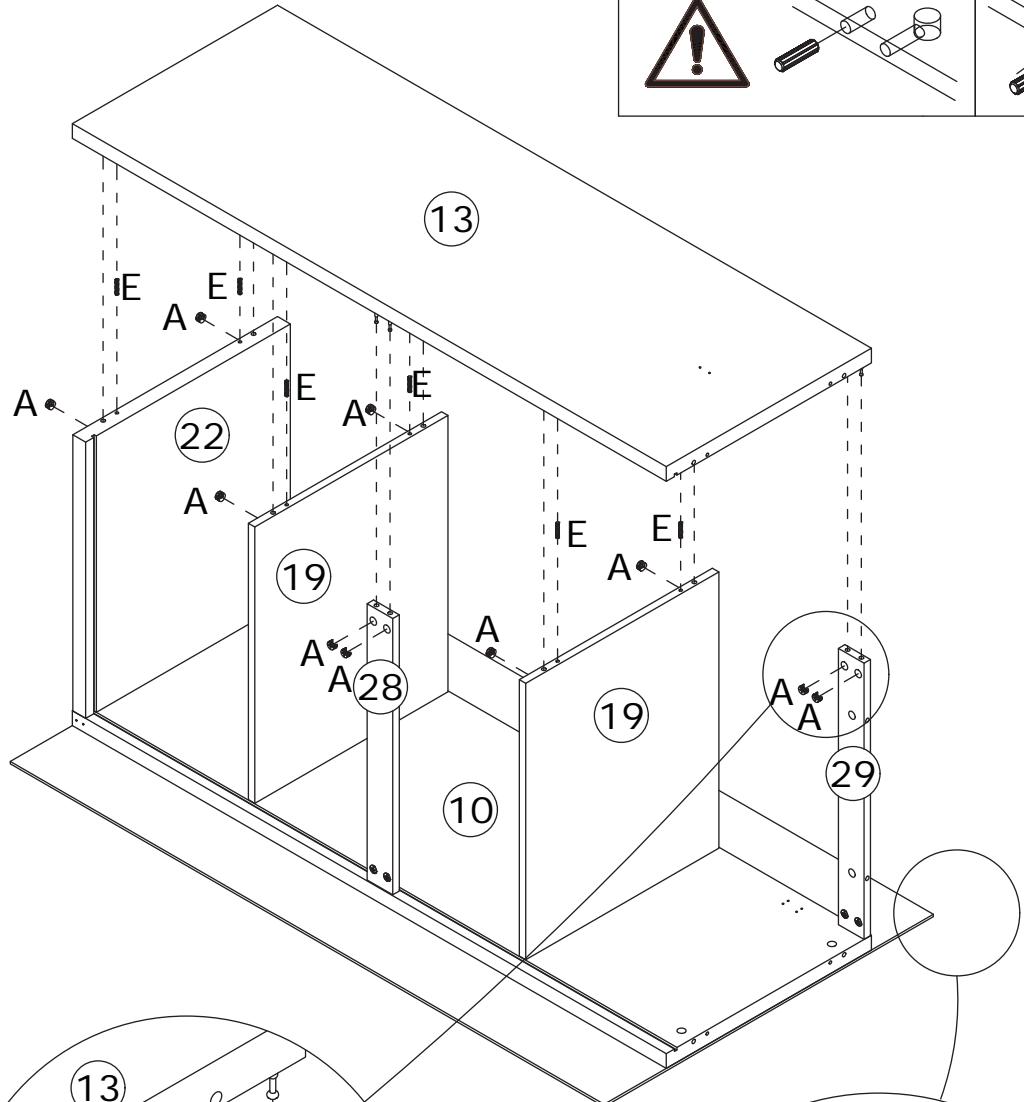
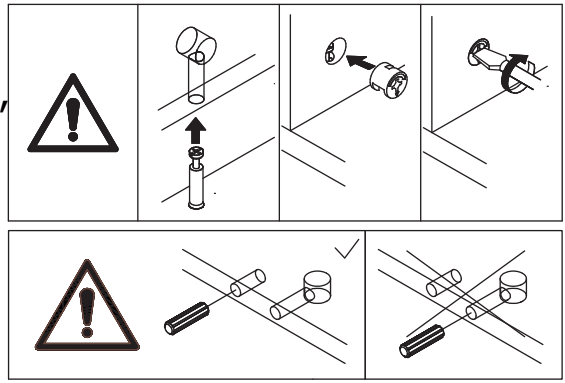
Insert dowel (E) into panel 19 and 22.
Connect panel 28, 29, 19 and 22 to panel 10,
then insert eccentric wheel (A) and tighten it
by turning clockwise.



24

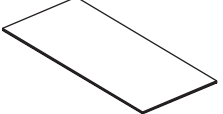
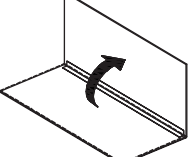
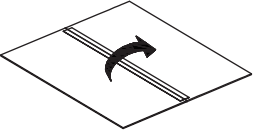
A x 10 CRB1595A	E x 6 CRF0630A	
------------------------	-----------------------	--

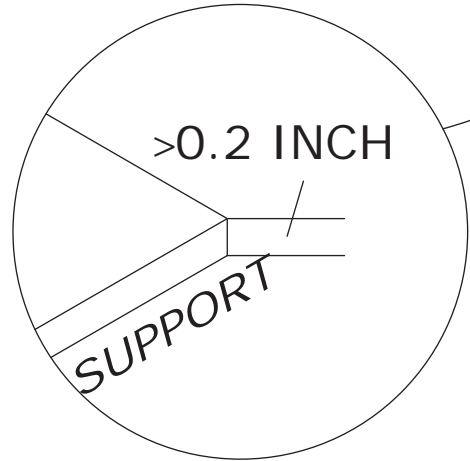
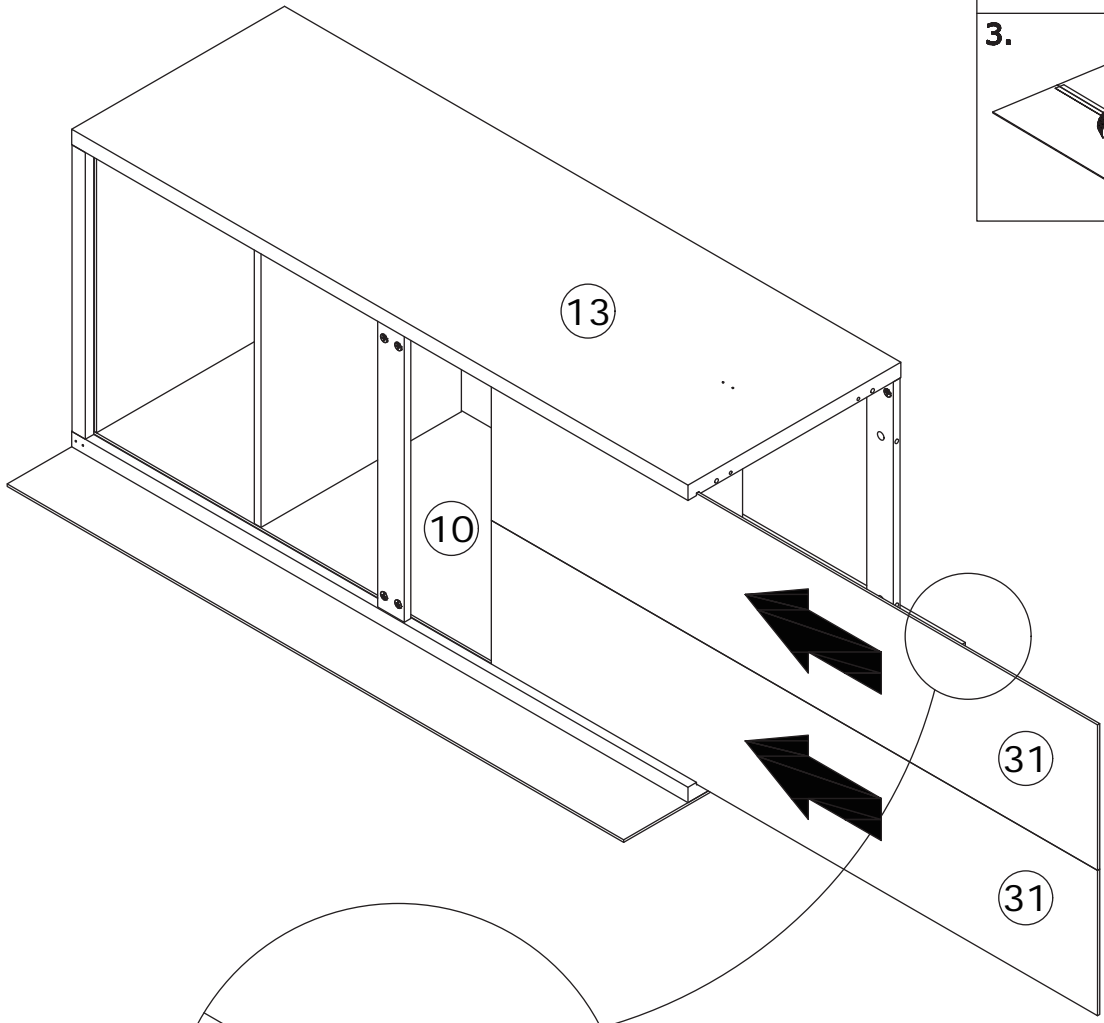
Insert dowel (E) into panel 19 and 22.
Connect panel 28, 29, 19 and 22 to panel 13,
then insert eccentric wheel (A) and tighten it
by turning clockwise.



25

Insert panel 31 along the available slots.

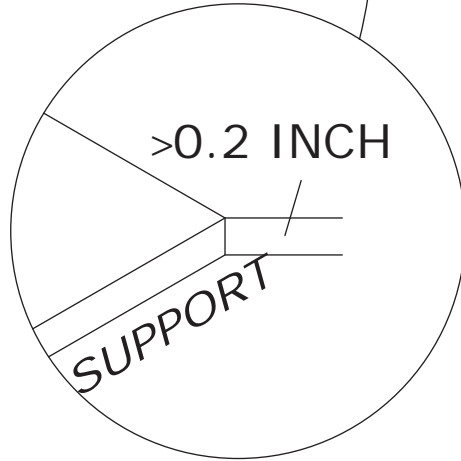
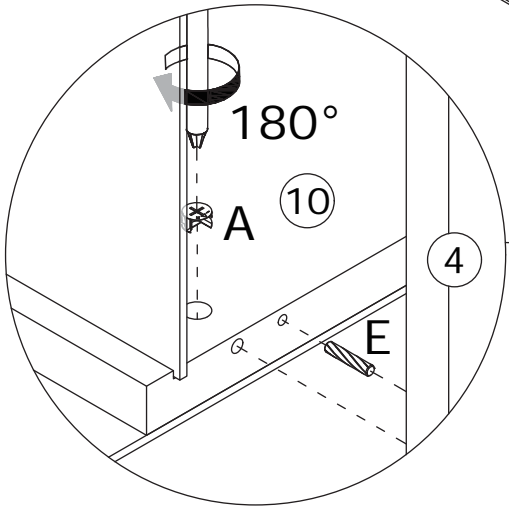
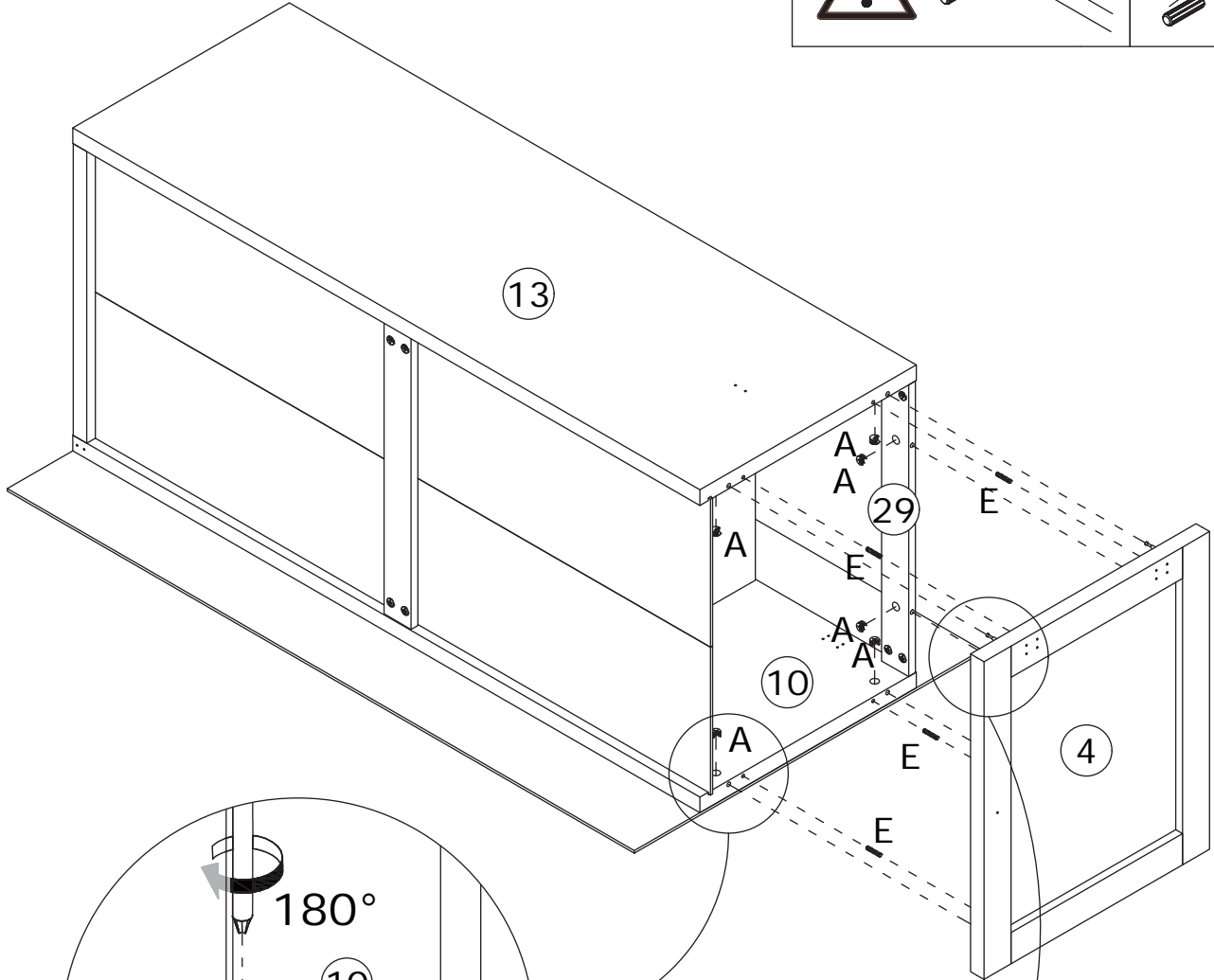
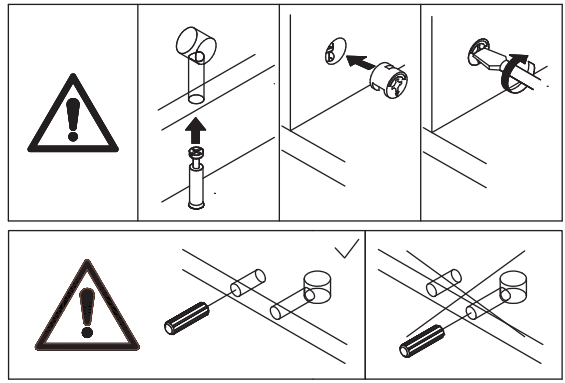
- 1. 
- 2. 
- 3. 



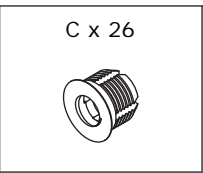
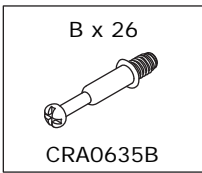
26

A x 6  CRB1595A	E x 4  CRF0630A	
--	--	---

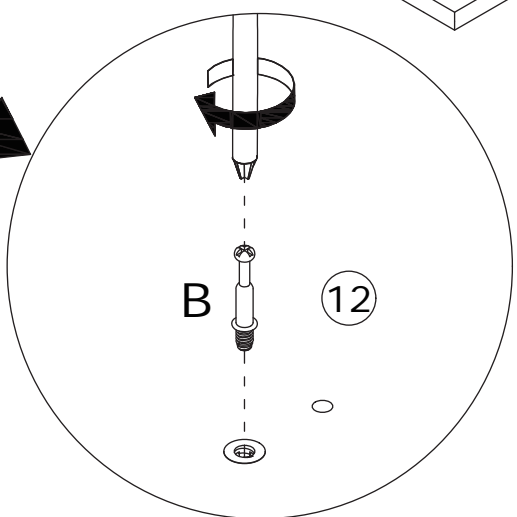
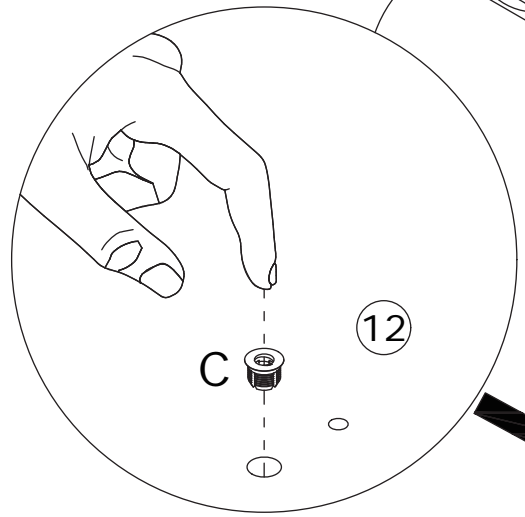
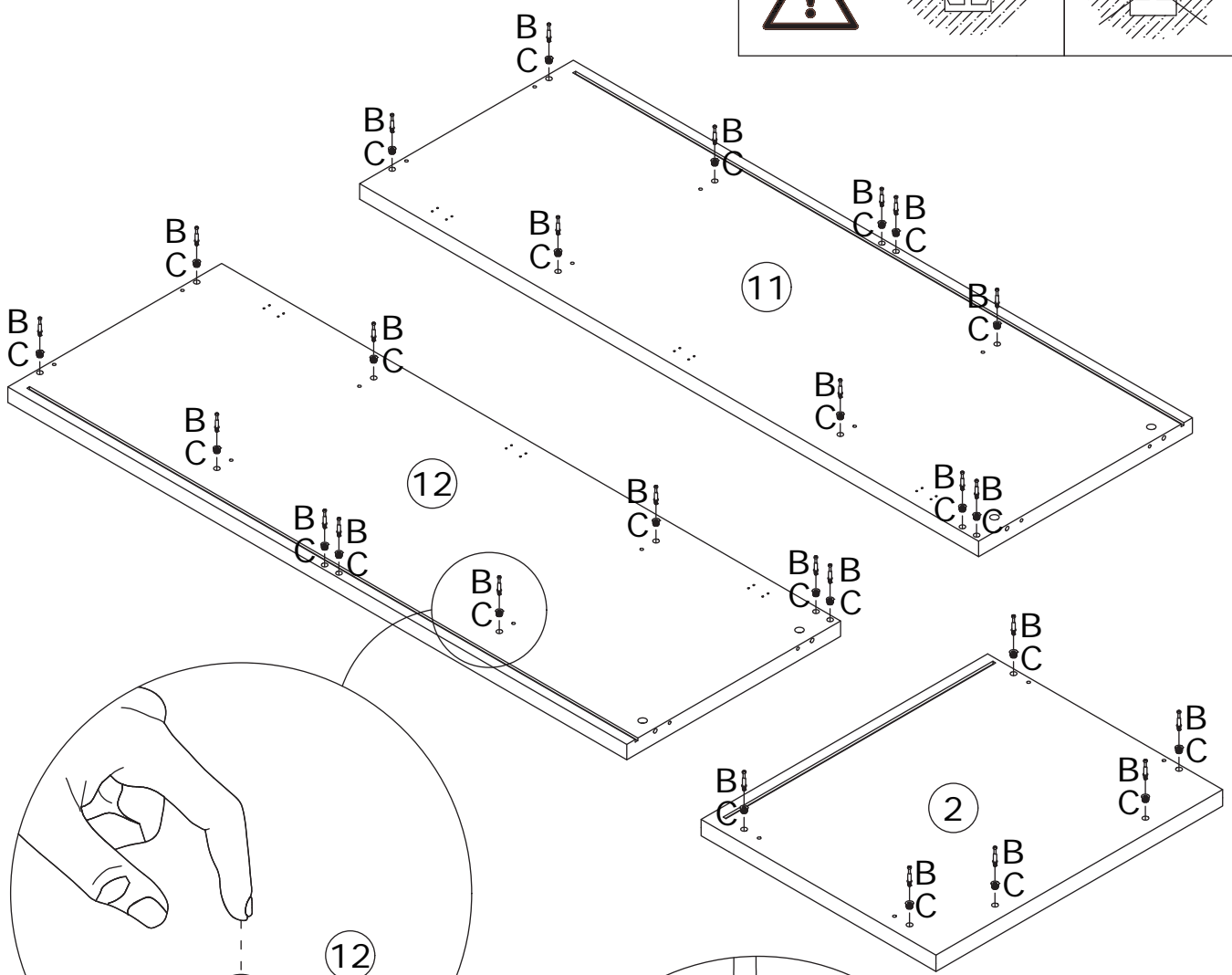
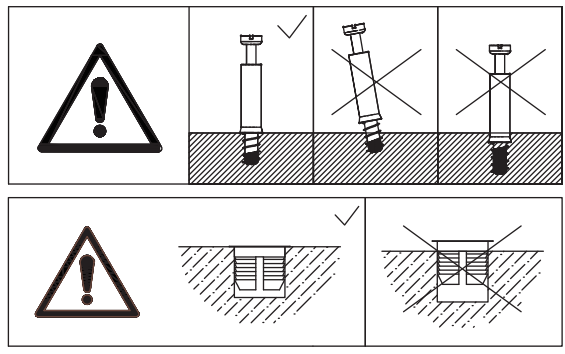
Connect panel 4 to panel 10, 13, and 29 using dowel (E), then insert eccentric wheel (A) and tighten it by turning clockwise.



27



Insert plug (C) to panel 2, 11, and 12,
then screw self-tapping rod (B) onto.

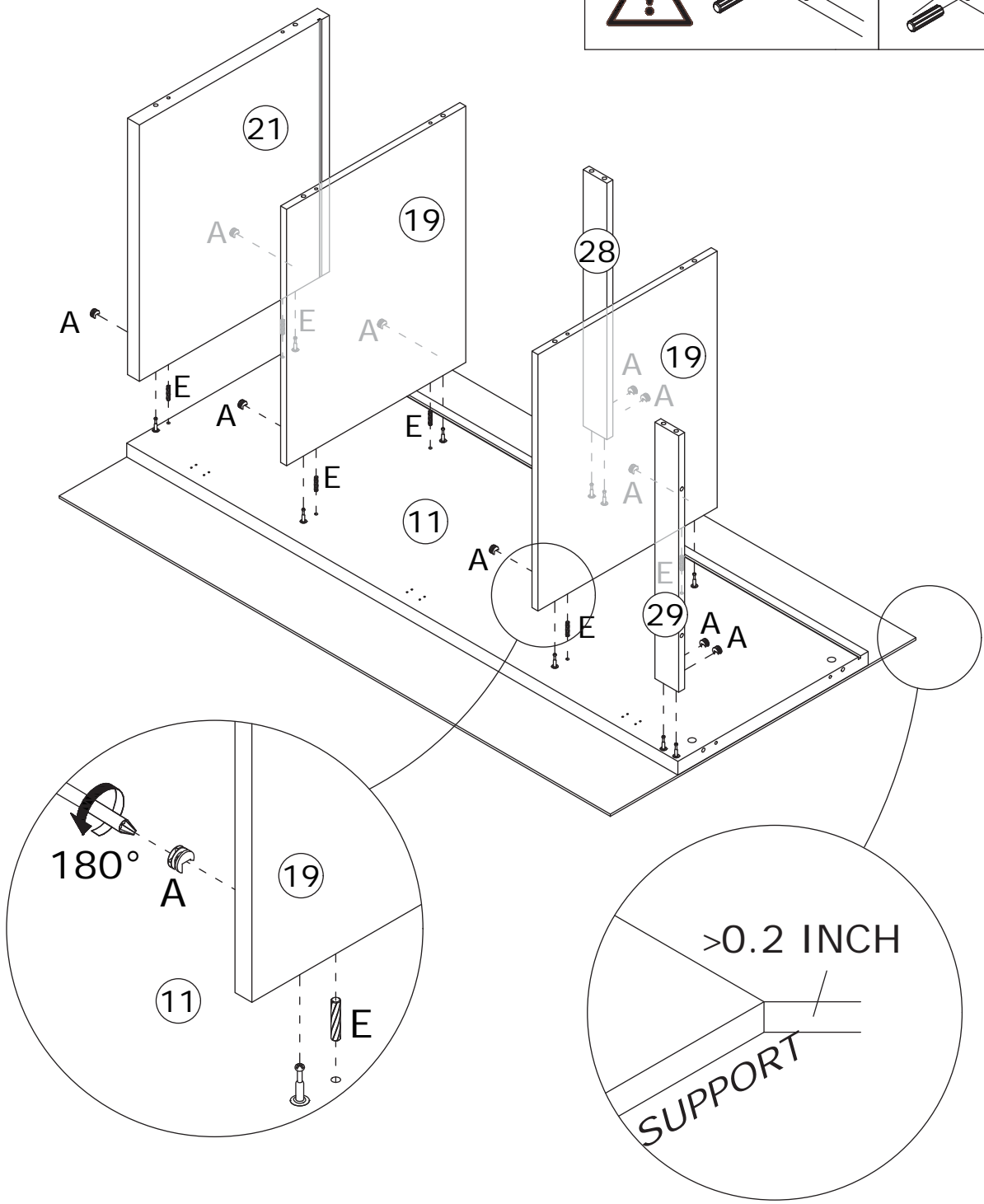
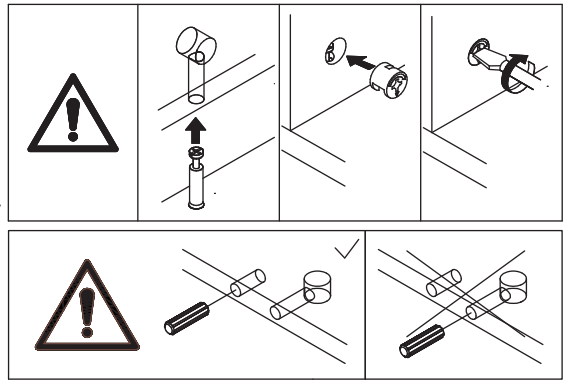


28



Place a shim about 0.2 inches thick under panel 10.

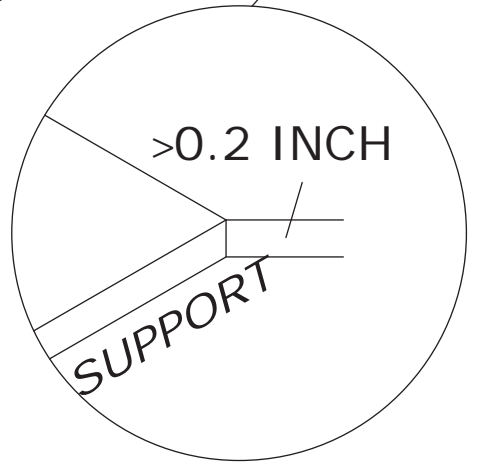
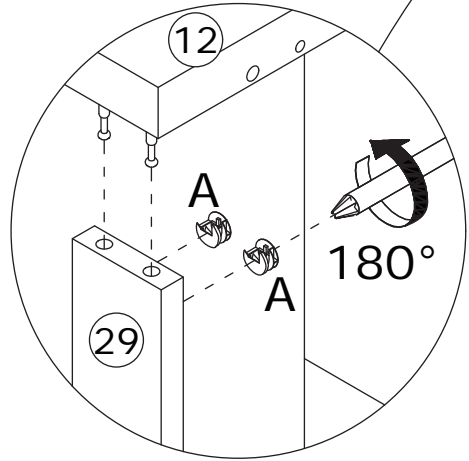
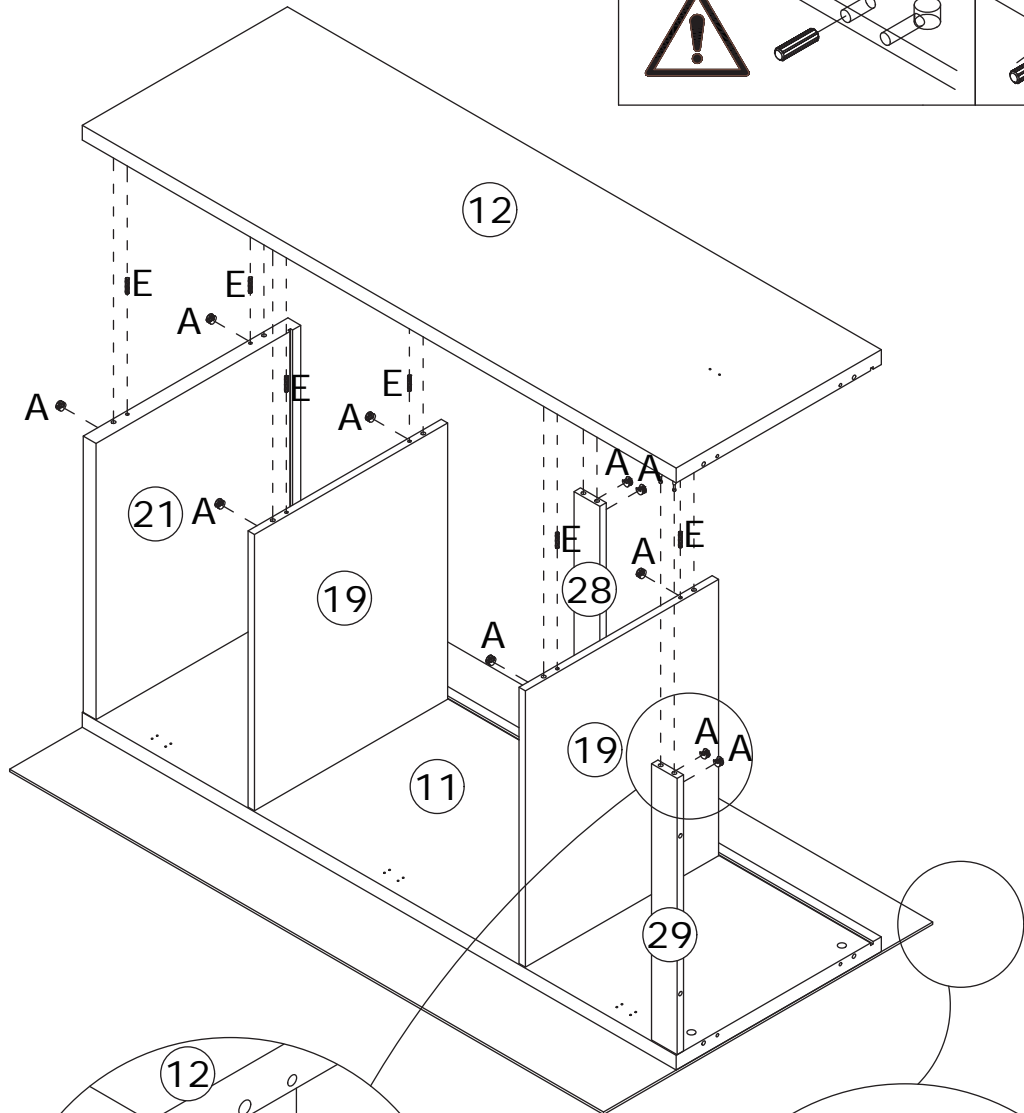
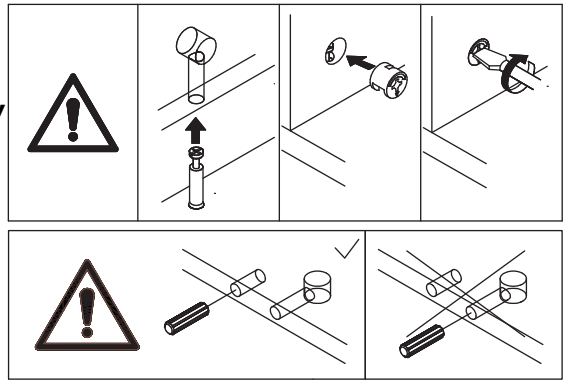
Insert dowel (E) into panel 19 and 21.
Connect panel 28, 29, 19 and 21 to panel 11,
then insert eccentric wheel (A) and tighten it
by turning clockwise.



29

A x 10  CRB1595A	E x 6  CRF0630A	
---	--	---

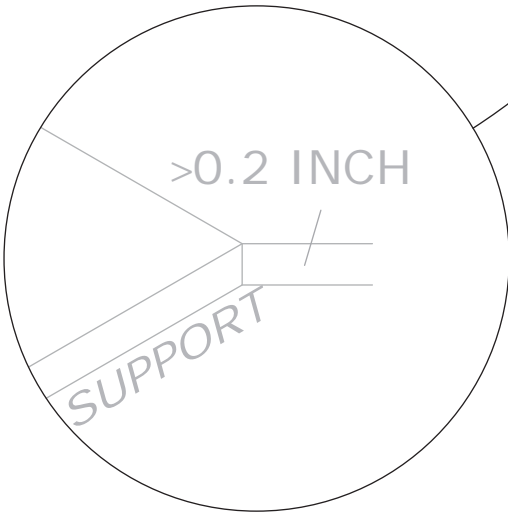
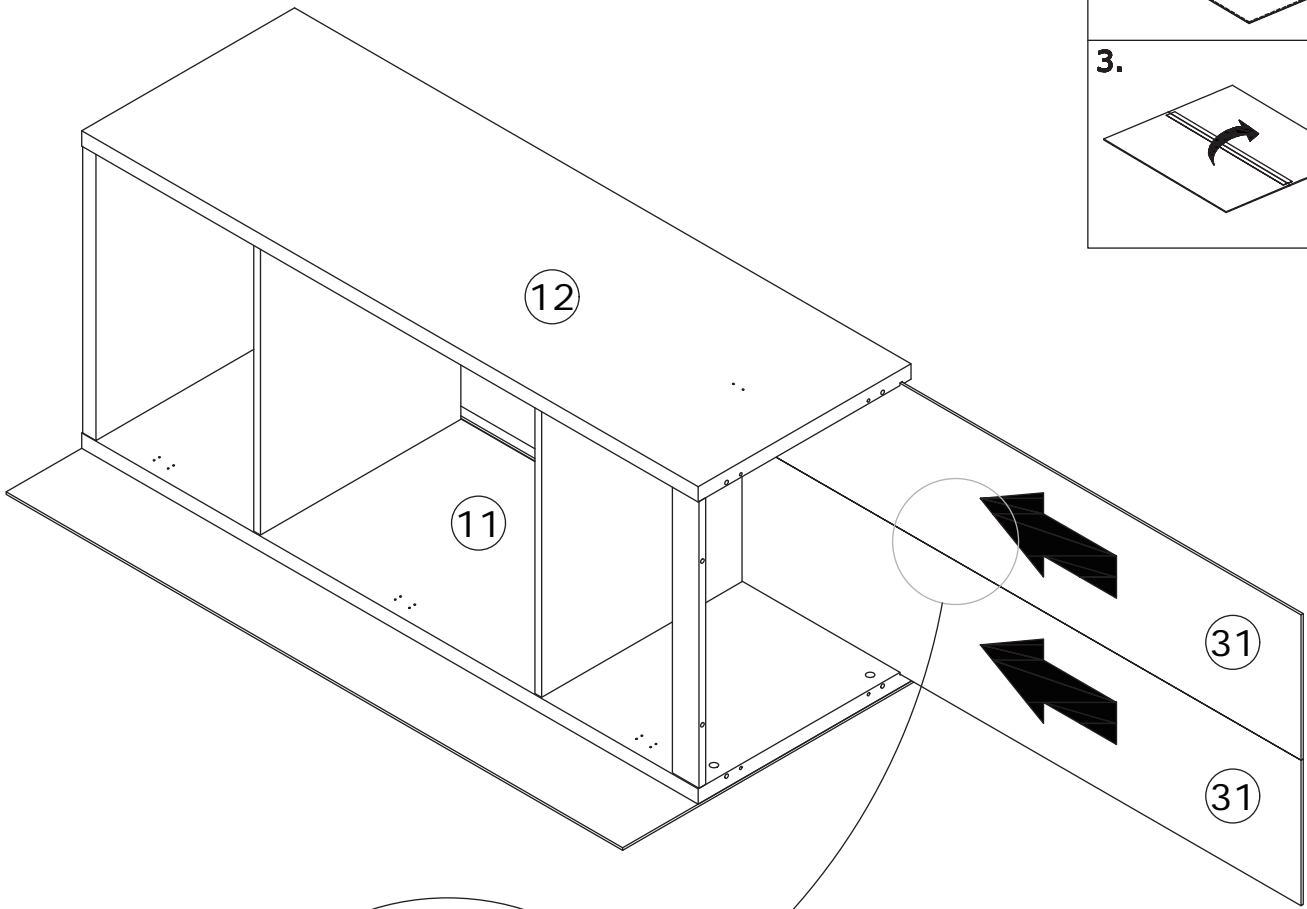
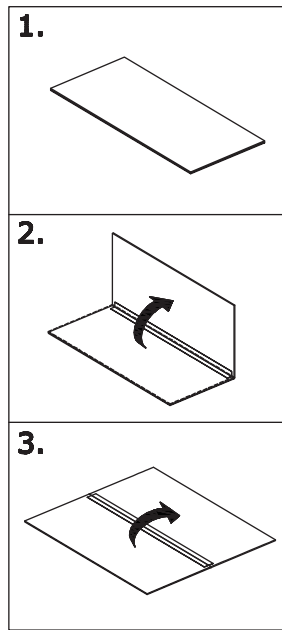
Insert dowel (E) into panel 19 and 21.
Connect panel 28, 29, 19 and 21 to panel 12,
then insert eccentric wheel (A) and tighten it
by turning clockwise.



30



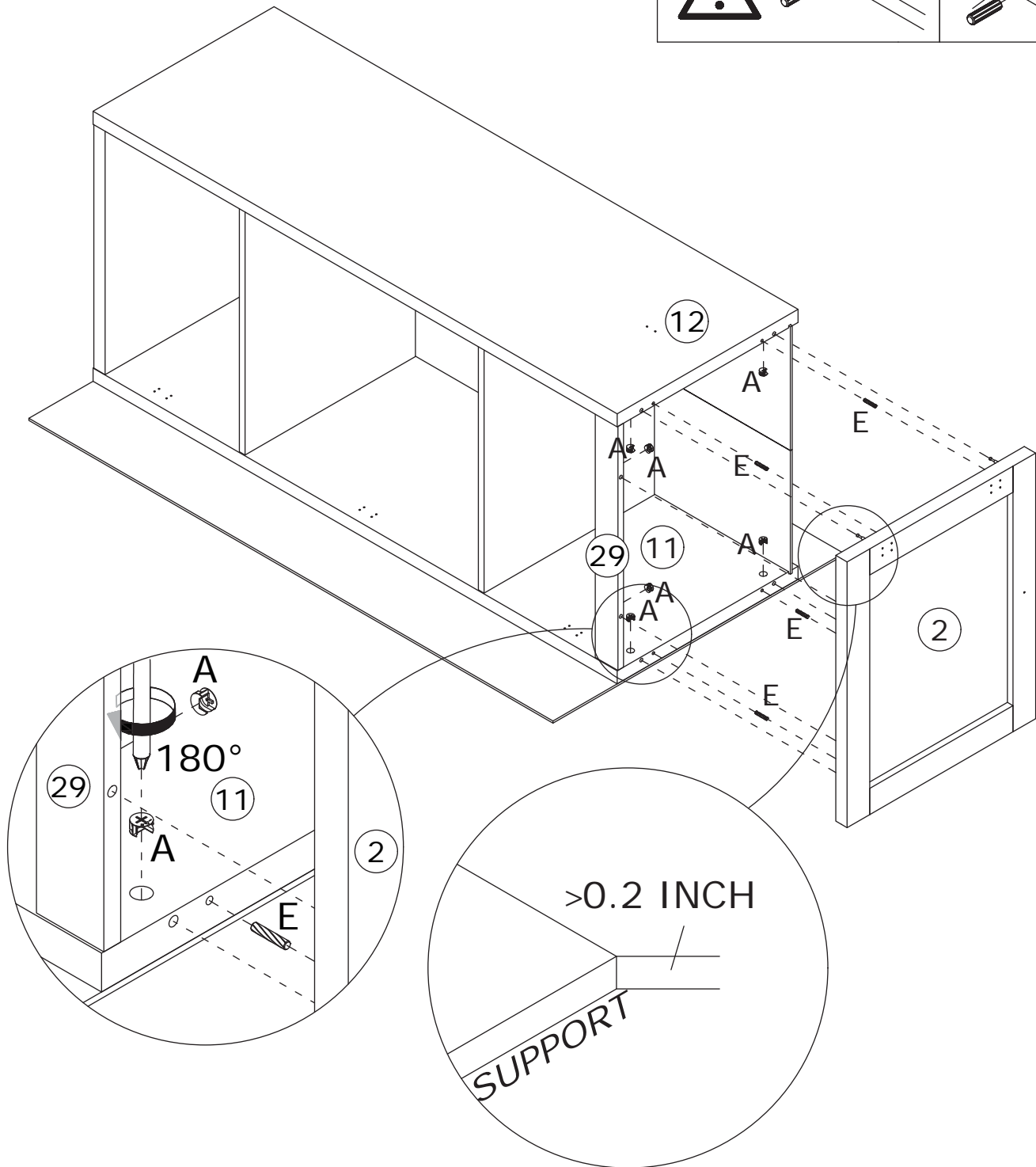
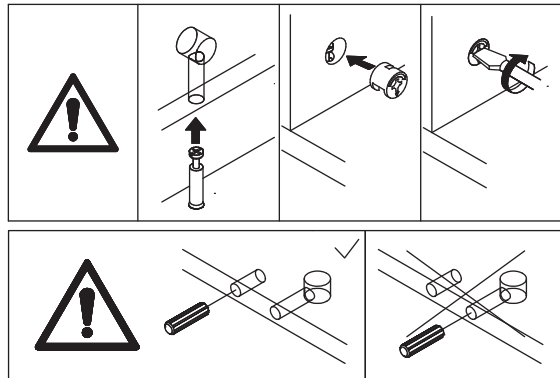
Insert panel 31 along the available slots.



31





A x 6 CRB1595A	E x 4 CRF0630A	
-----------------------	-----------------------	--

Connect panel 2 to panel 11, 12, and 29 using dowel (E), then insert eccentric wheel (A) and tighten it by turning clockwise.

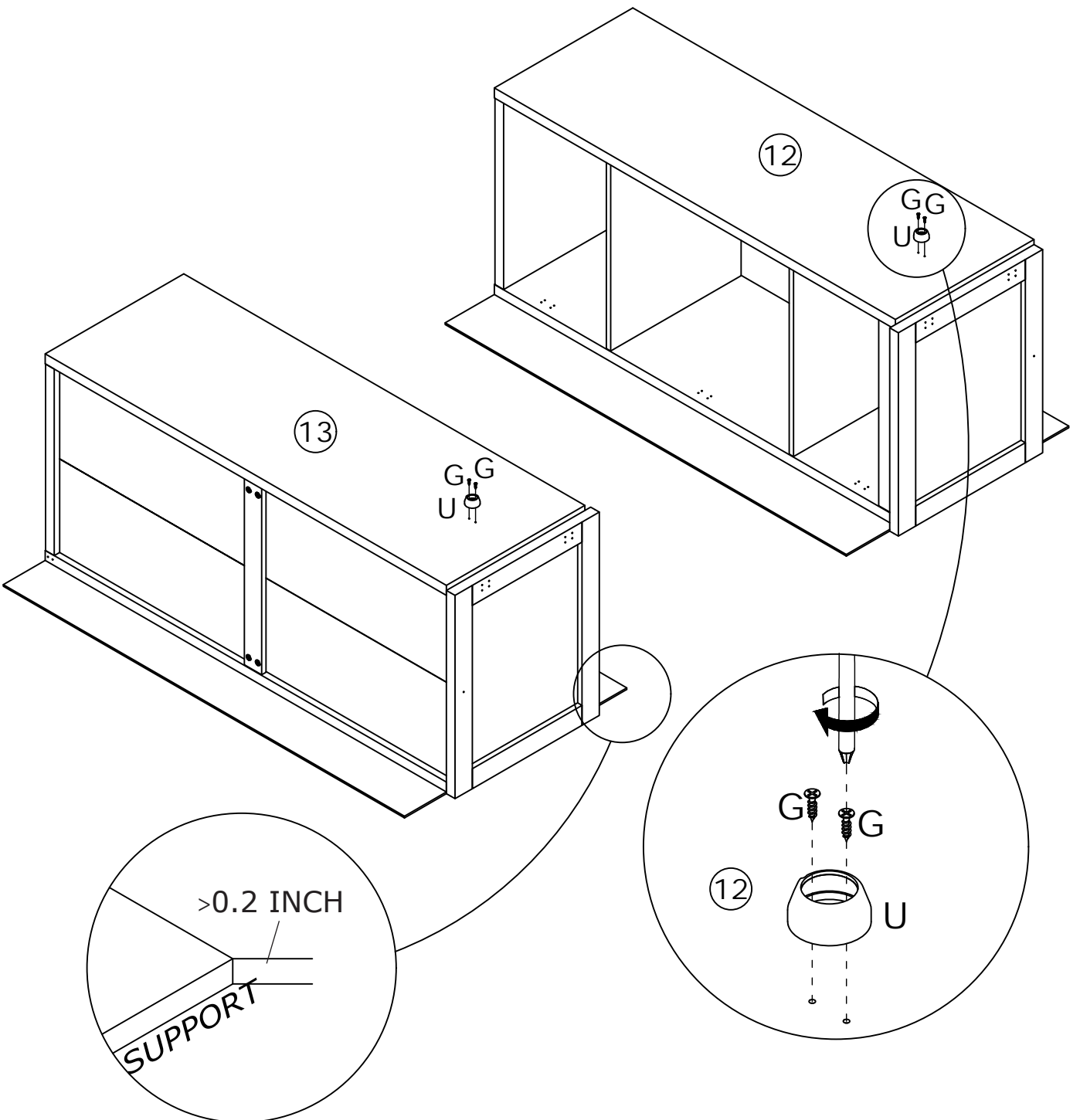


32

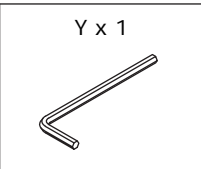
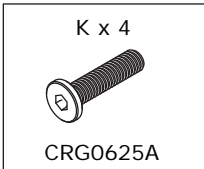
G x 4  CRD3514A	U x 2 	
--	--	---

	F  CRD3512A	G  CRD3514A	W  CRD0314A
--	---	--	---

Secure part (U) to panel 12 and 13 using screw (G).

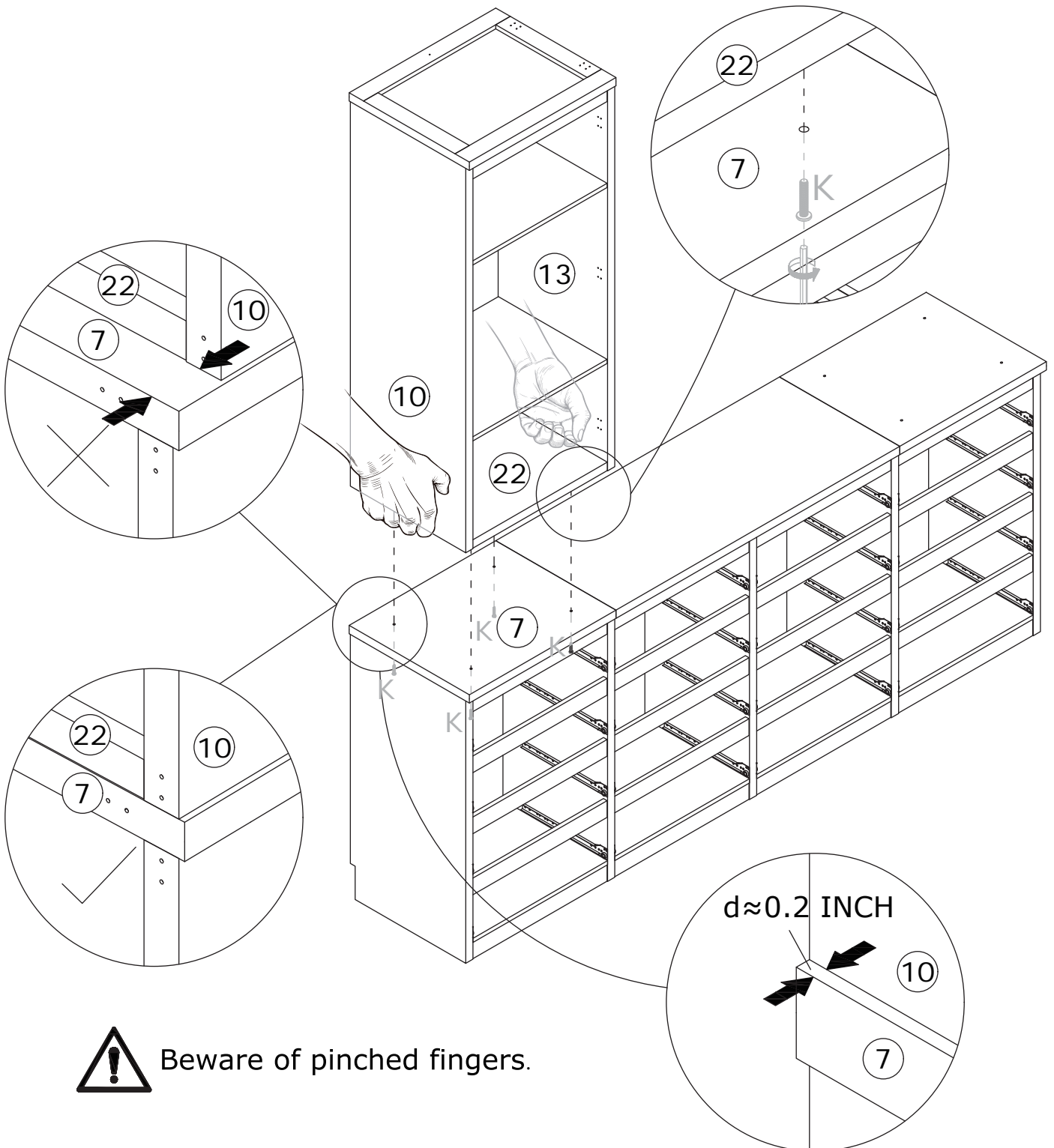


33



Secure panel 22 to panel 7 using screw (K).




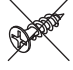
Caution: When moving the cabinet, be careful not to pinch your fingers.



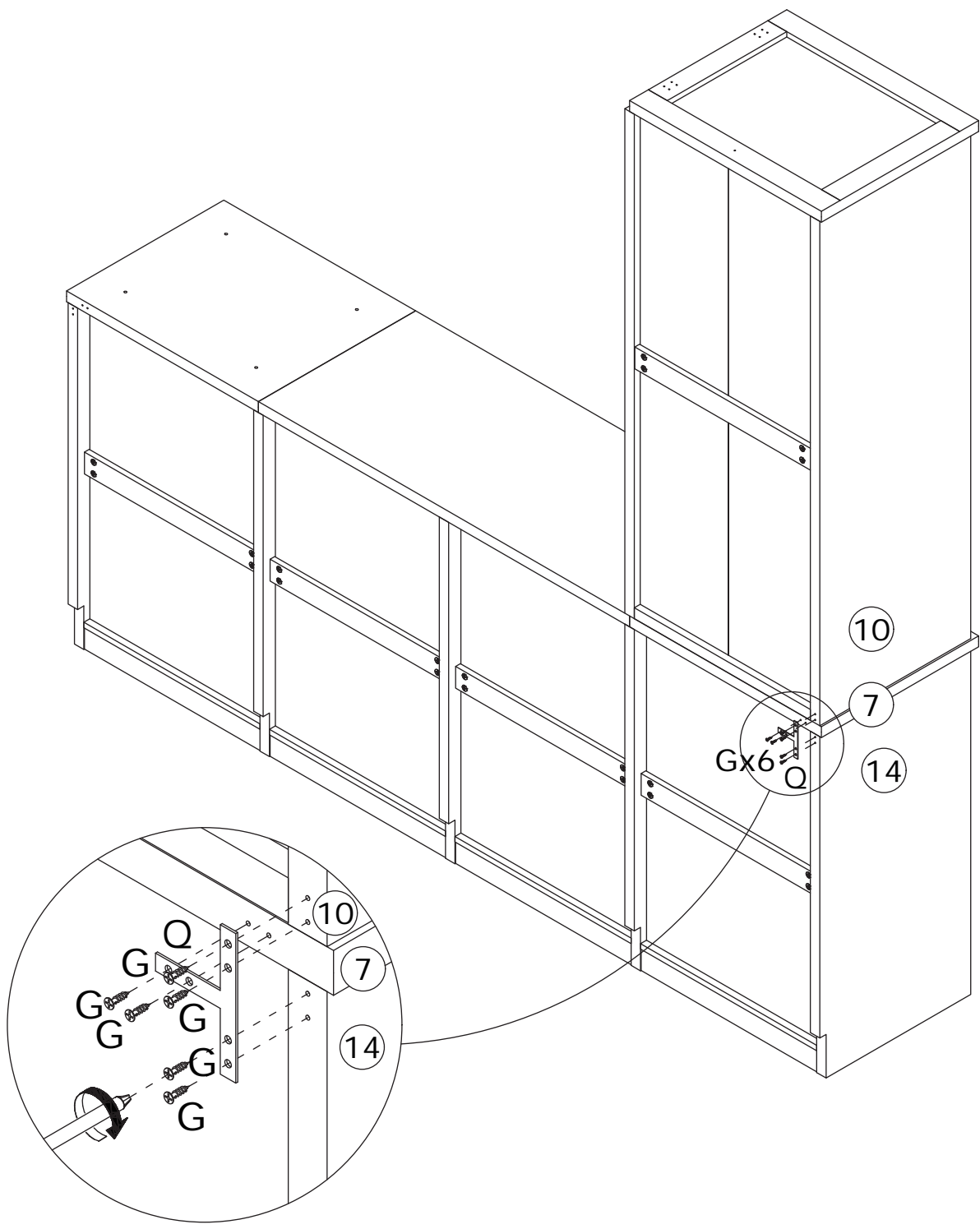
Beware of pinched fingers.

34

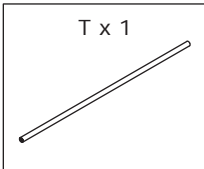
G x 6  CRD3514A	Q x 1 	
--	--	---

	F  CRD3512A	G  CRD3514A	W  CRD0314A
--	--	--	--

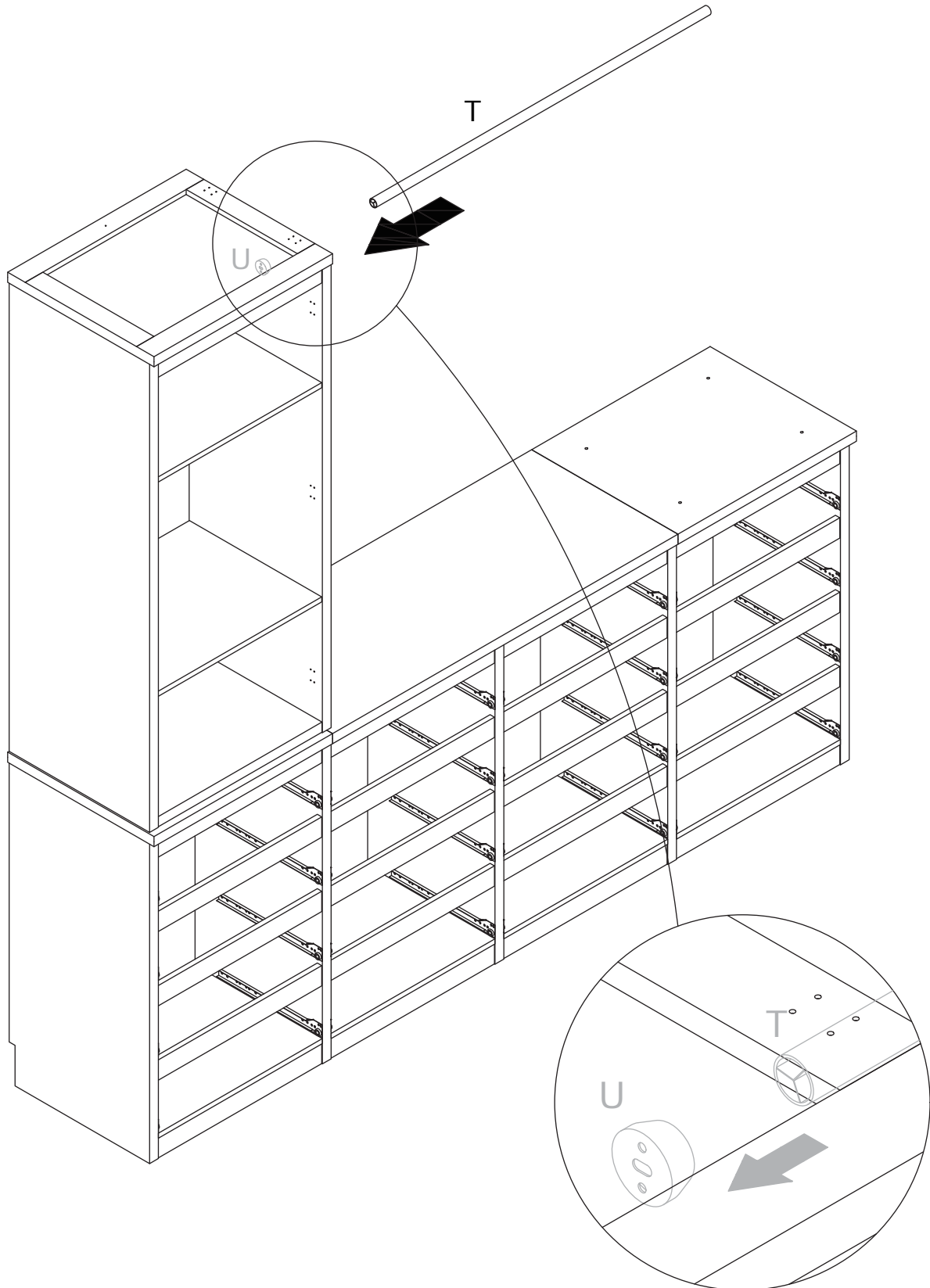
Secure part (Q) to panel 7, 10, and 14 using screw (G).



35



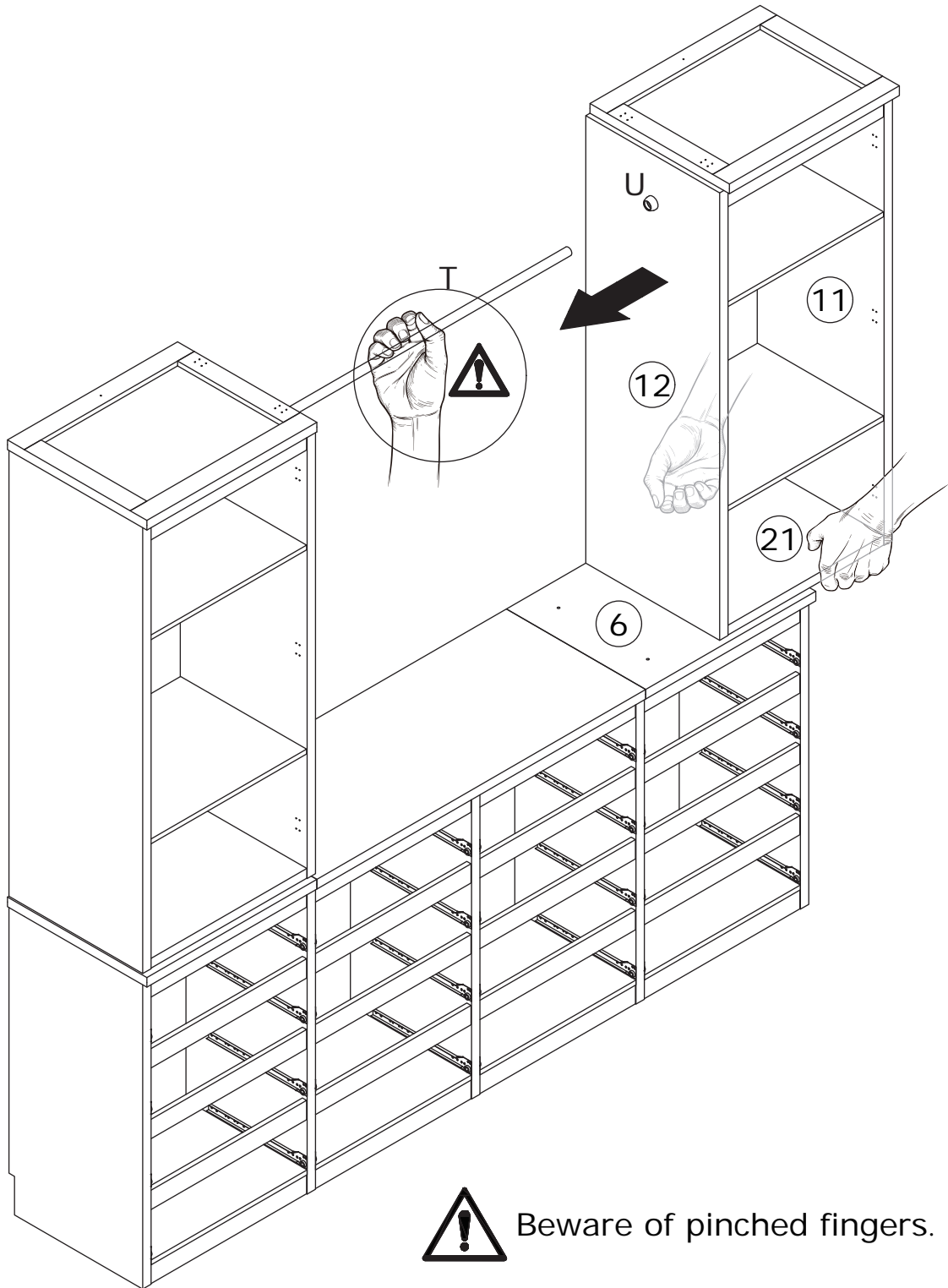
Install part (T) onto part (U).



36

Three or more people are required to install this cabinet.
First, hold the part (T), then slowly move the right cabinet to install
part (U) onto part (T).

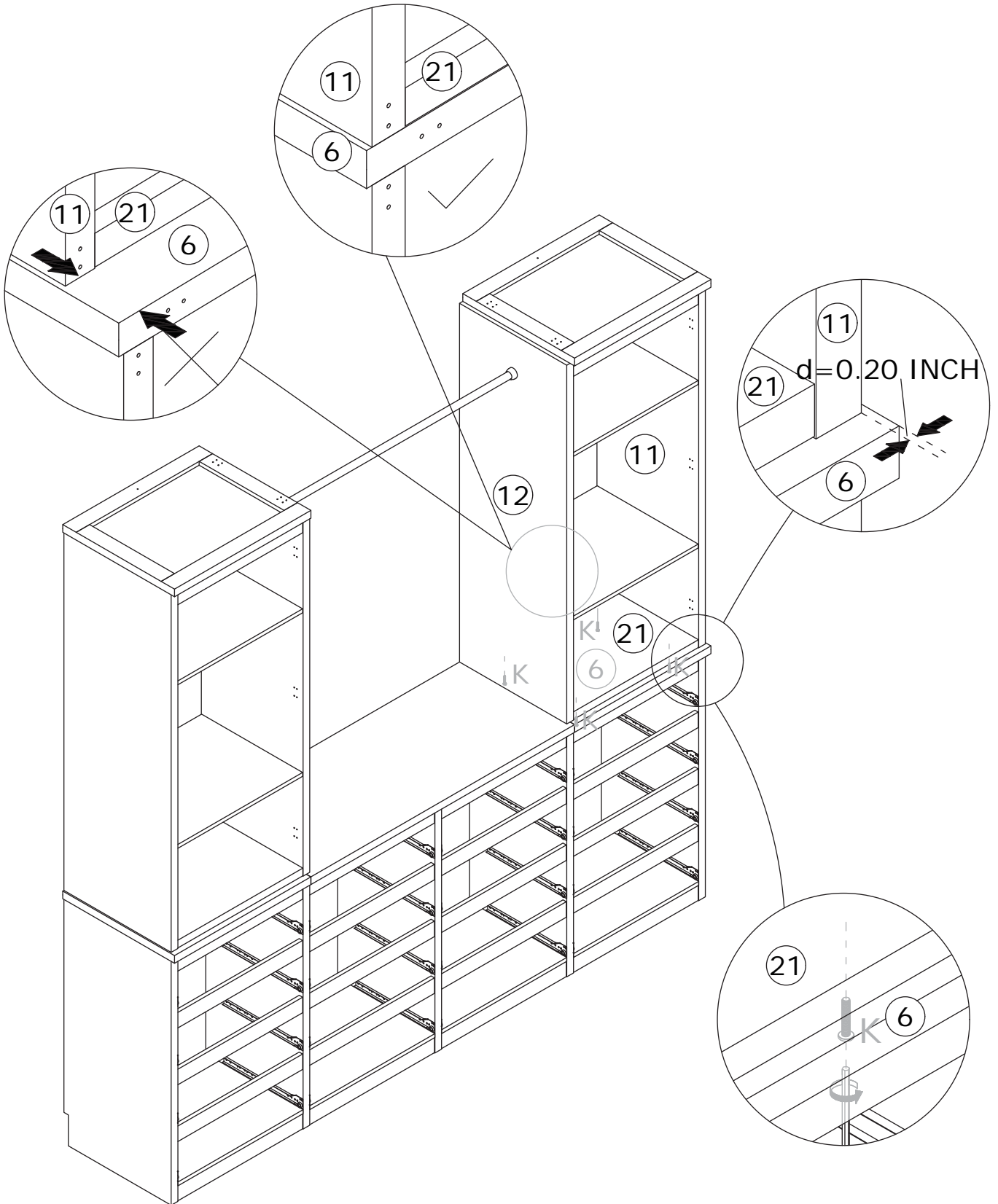
**Caution: When moving the cabinet, be careful not to pinch your
fingers.**



37




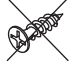
K x 4  CRG0625A	Y x 1 	
--	--	--

Secure panel 21 to panel 6 using screw (K).

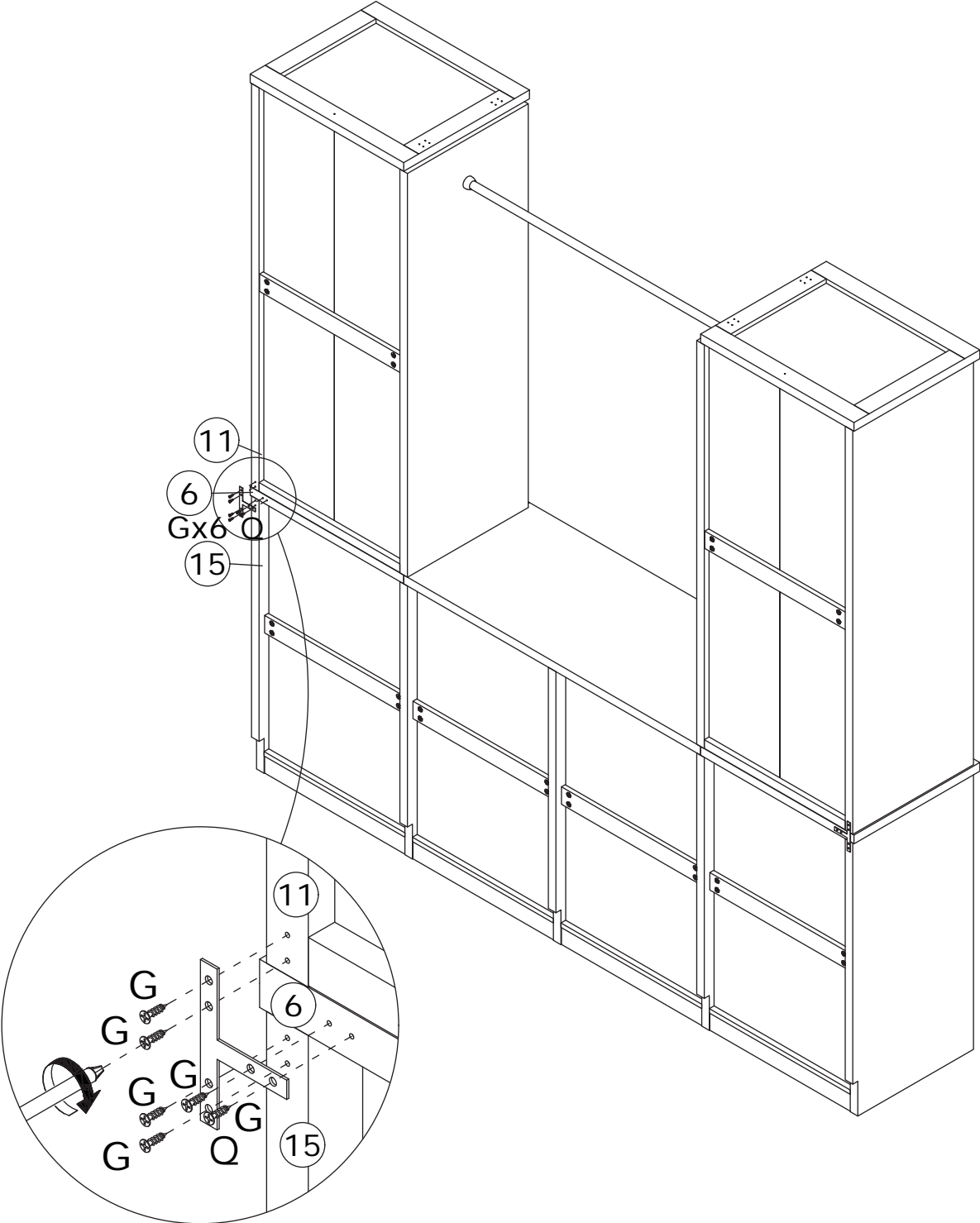


38

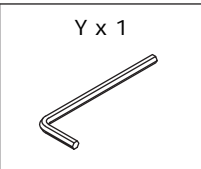
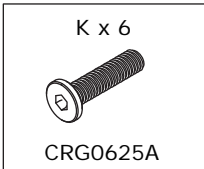
G x 6  CRD3514A	Q x 1 	
--	--	---

	F  CRD3512A	G  CRD3514A	W  CRD0314A
--	---	--	---

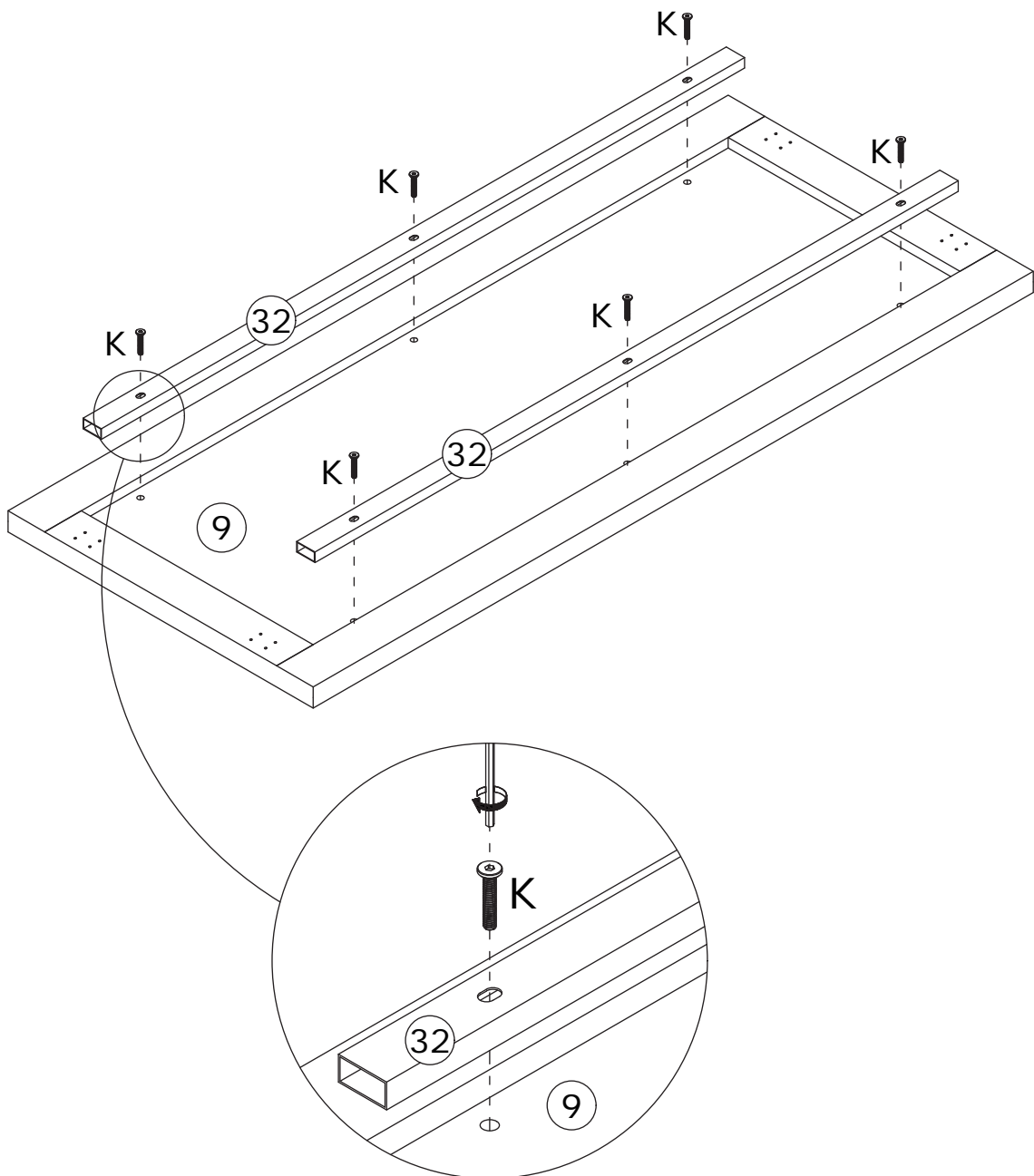
Secure part (Q) to panel 6, 11, and 15 using screw (G).



39







Attach part (32) to panel 9 using screw (K).

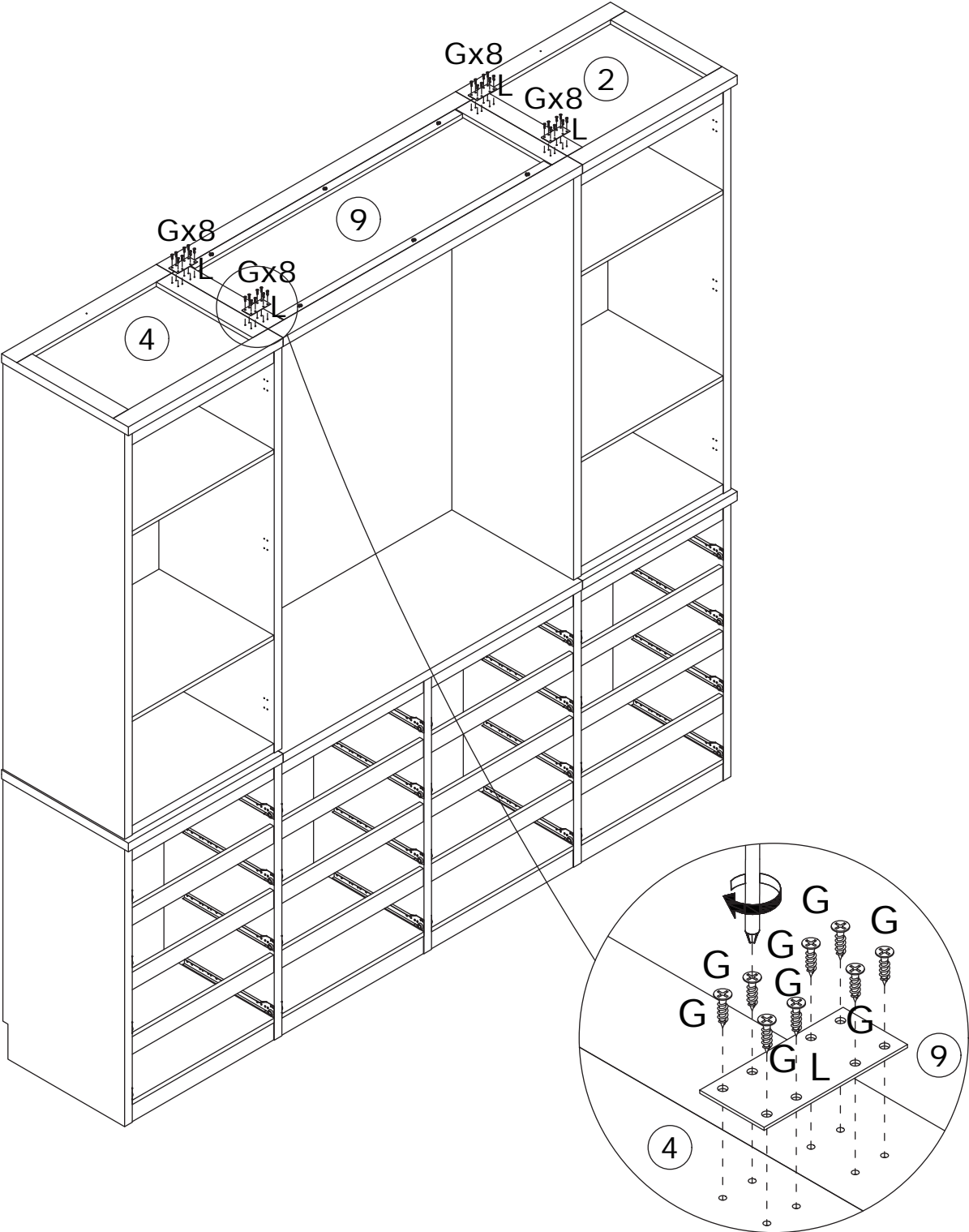


40

G x 32  CRD3514A	L x 4 	
---	--	---




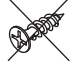
	F  CRD3512A	G  CRD3514A	W  CRD0314A
--	---	--	---

Secure iron sheet (L) to panel 2, 4, and 9 using screw (G).

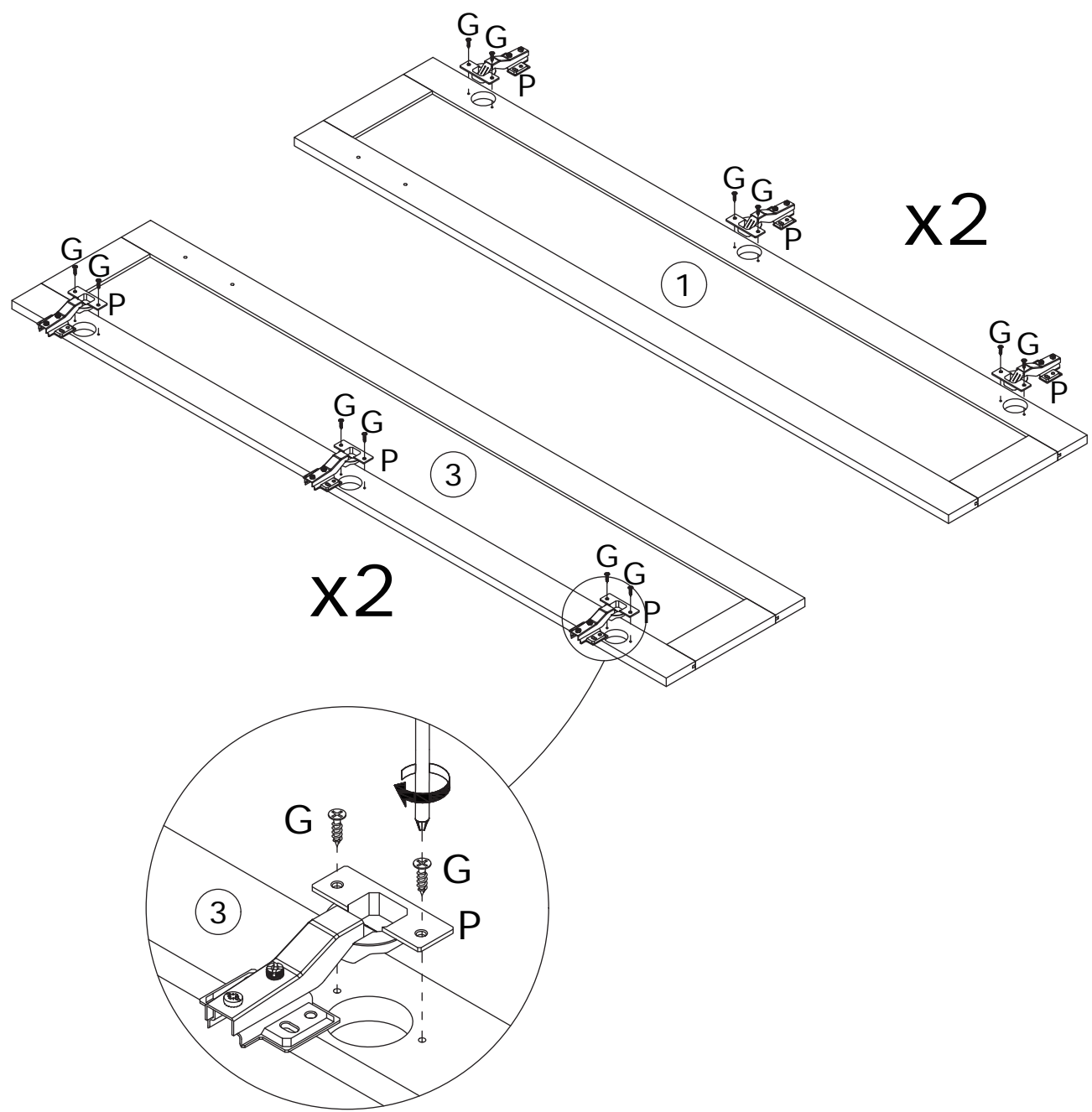


41

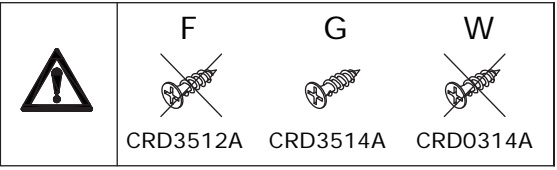
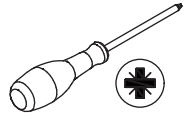
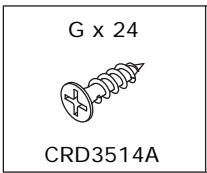
G x 24  CRD3514A	P x 12  DGA861B	
---	--	---

	F  CRD3512A	G  CRD3514A	W  CRD0314A
--	---	--	---

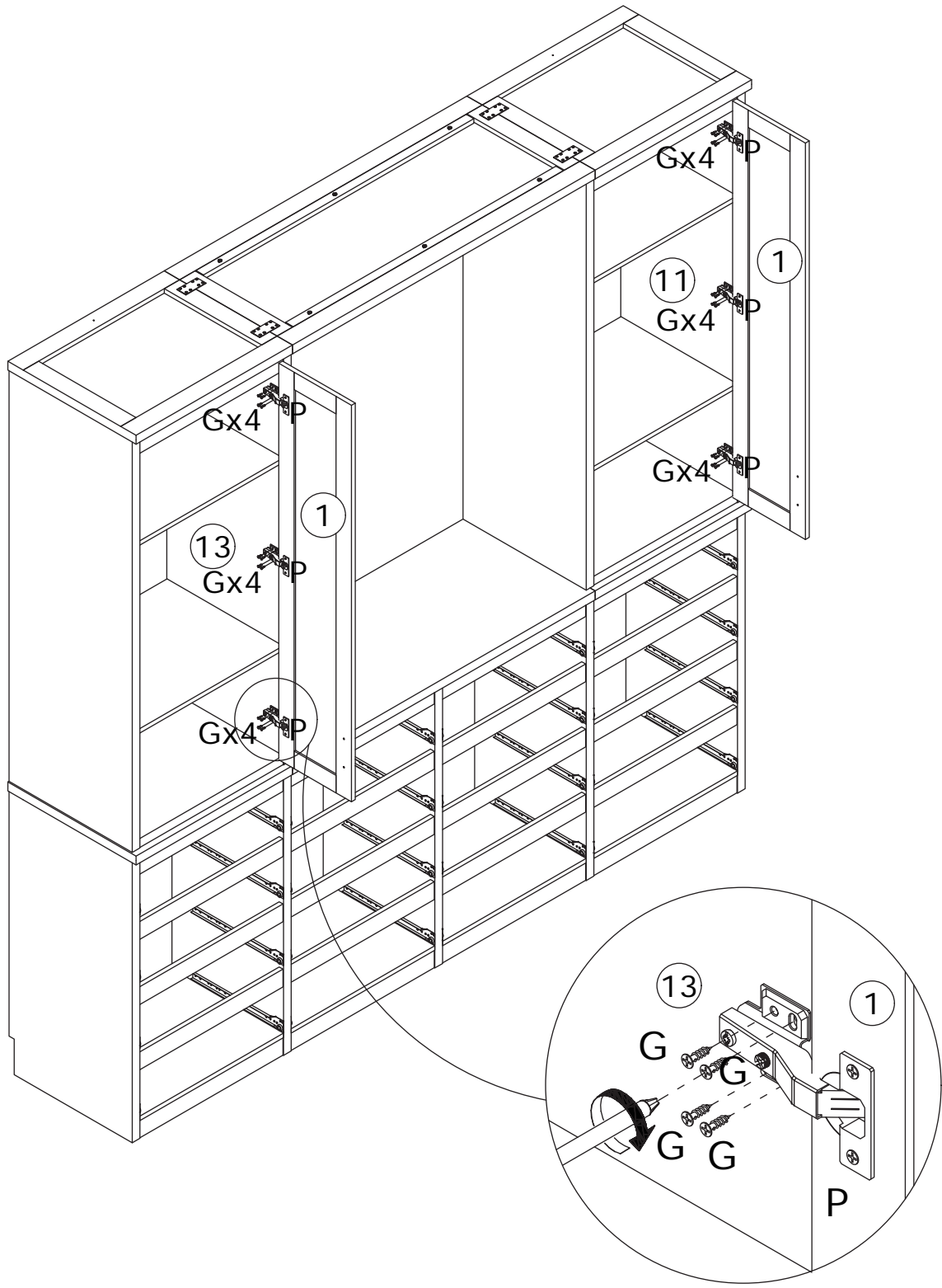
Secure hinge (P) to panel 1 and 3 using screw (G) .



42



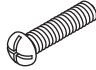


Secure panel 1 to panel 11 and 13 by securing hinges using screw (G) .

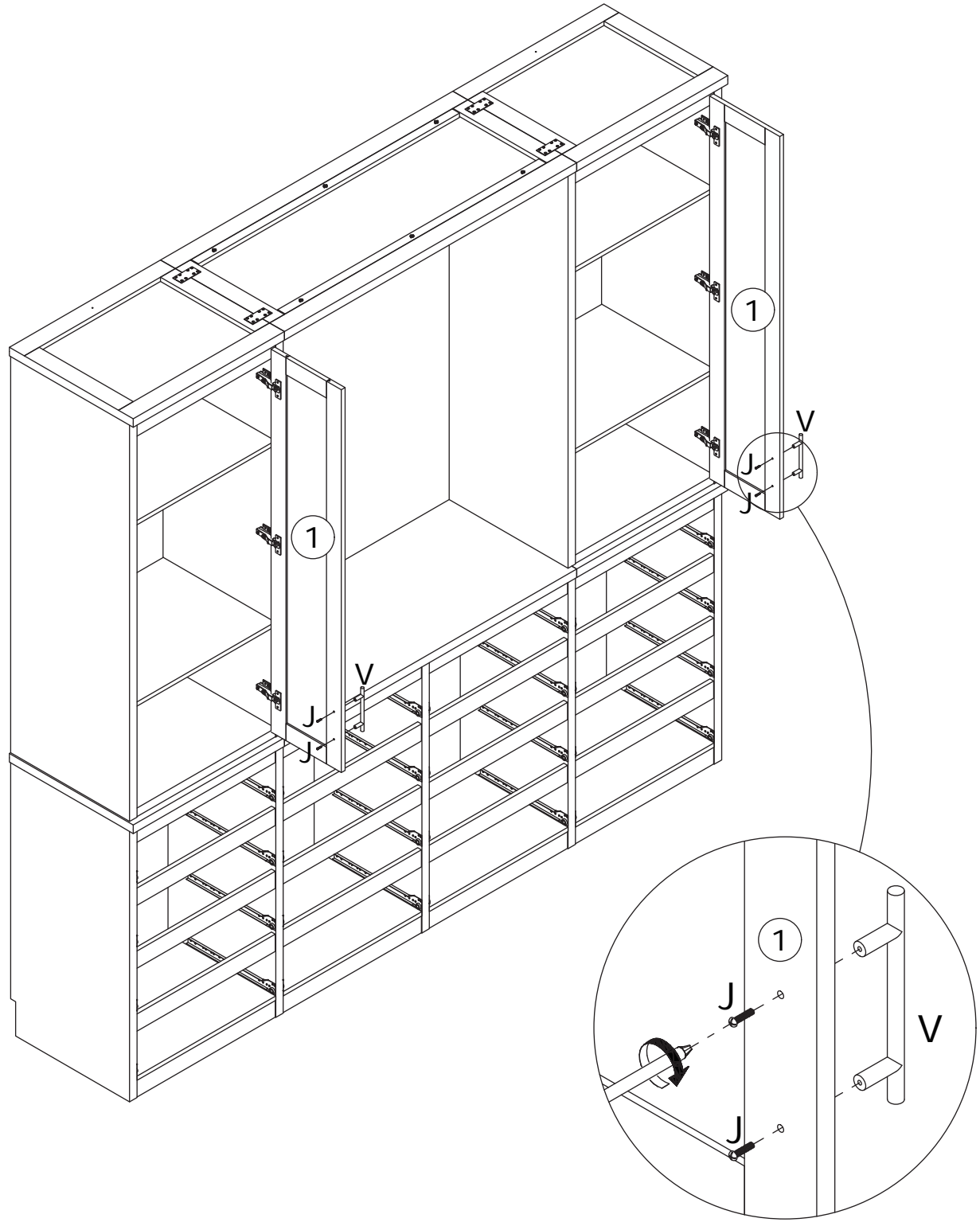


43

J x 4  CRE0420A	V x 2 	
--	--	---

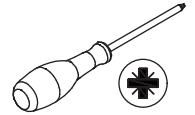
	H  CRE0408A	J  CRE0420A
--	---	--

Secure handle (V) to panel 1 using screw (J).



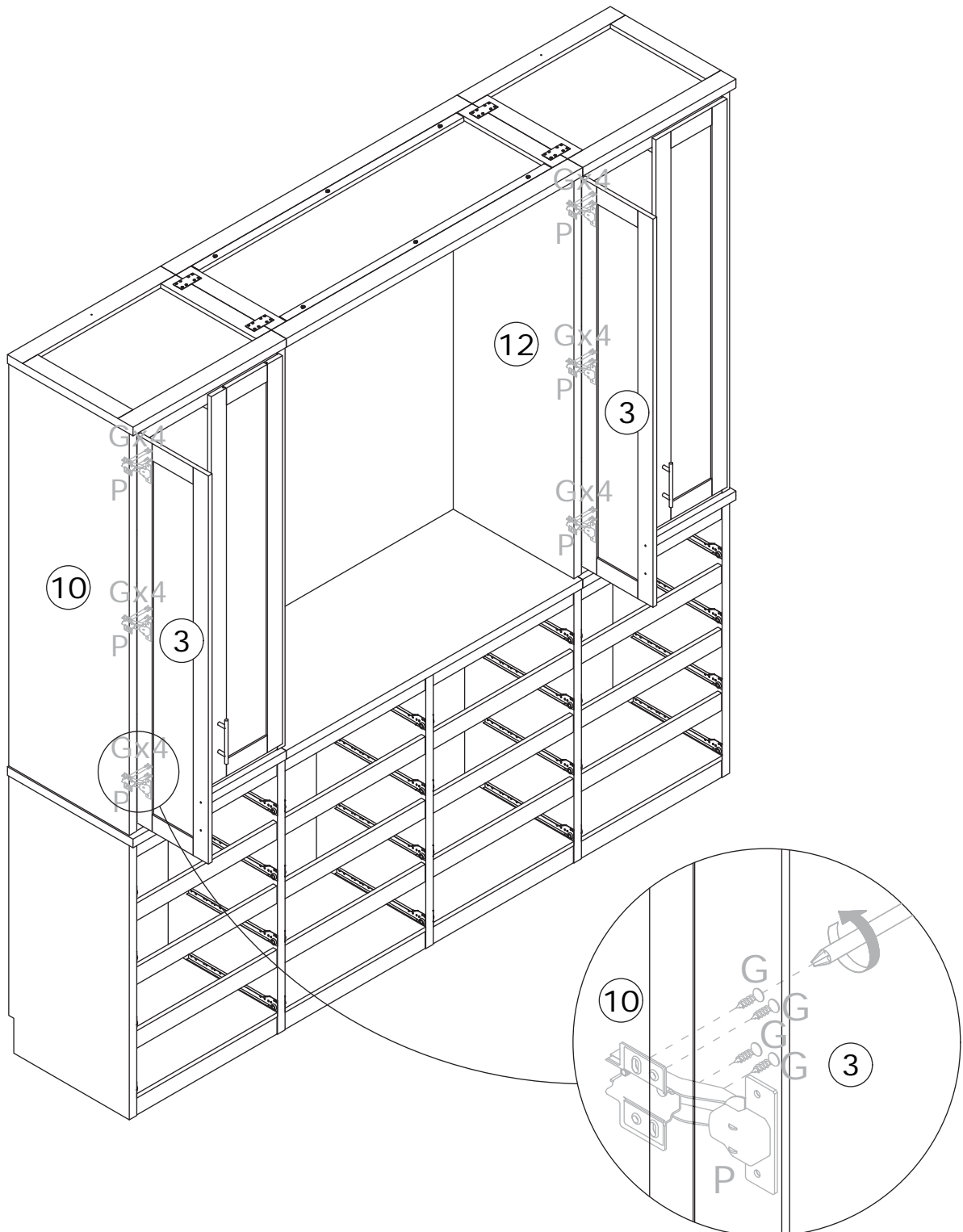
44

G x 24
CRD3514A

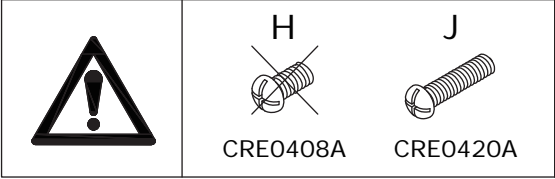


	F CRD3512A	G CRD3514A	W CRD0314A
--	--------------------------	---------------	--------------------------

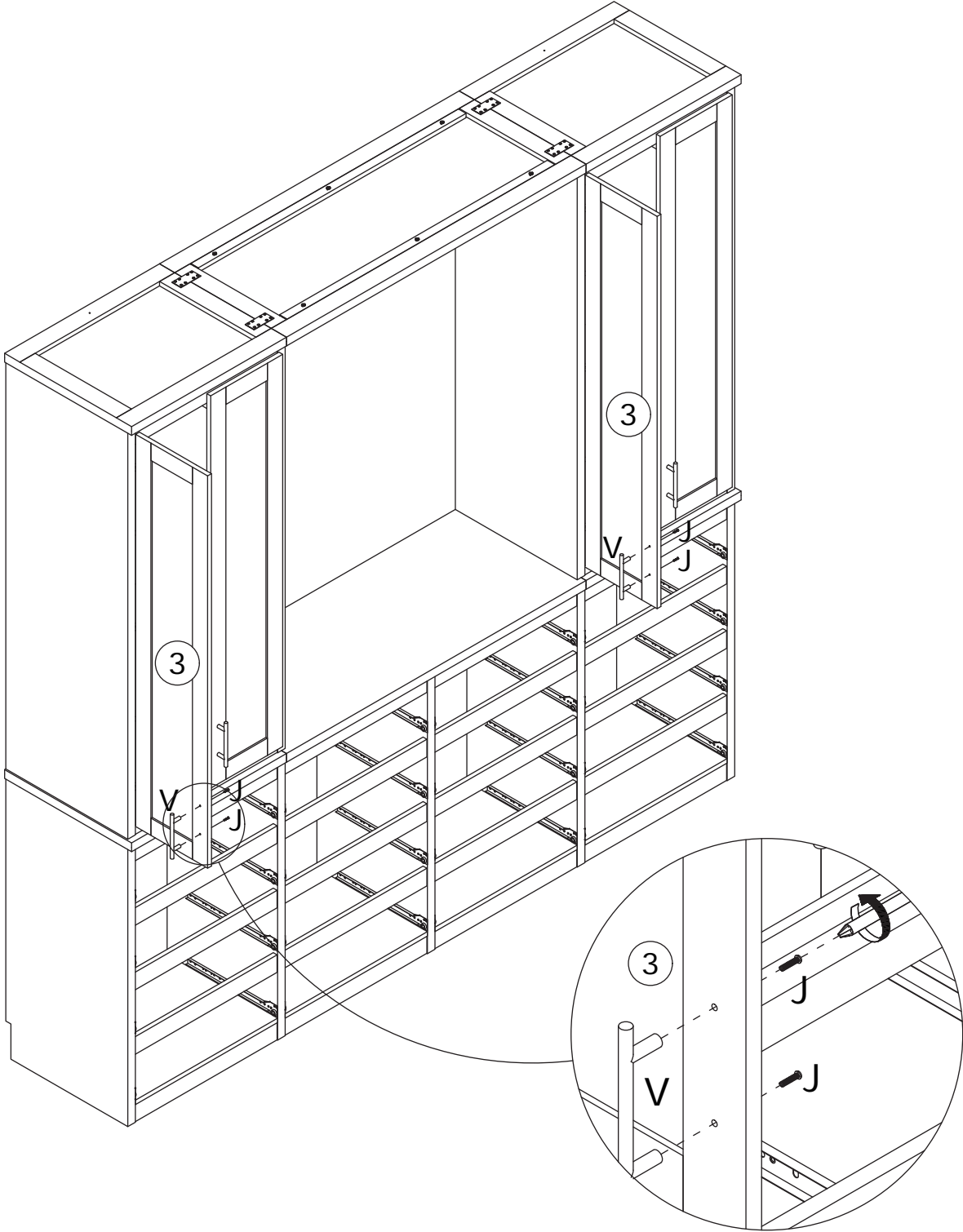
Secure panel 3 to panel 10 and 12 by securing hinges using screw (G) .



45


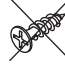




Secure handle (V) to panel 3 using screw (J).

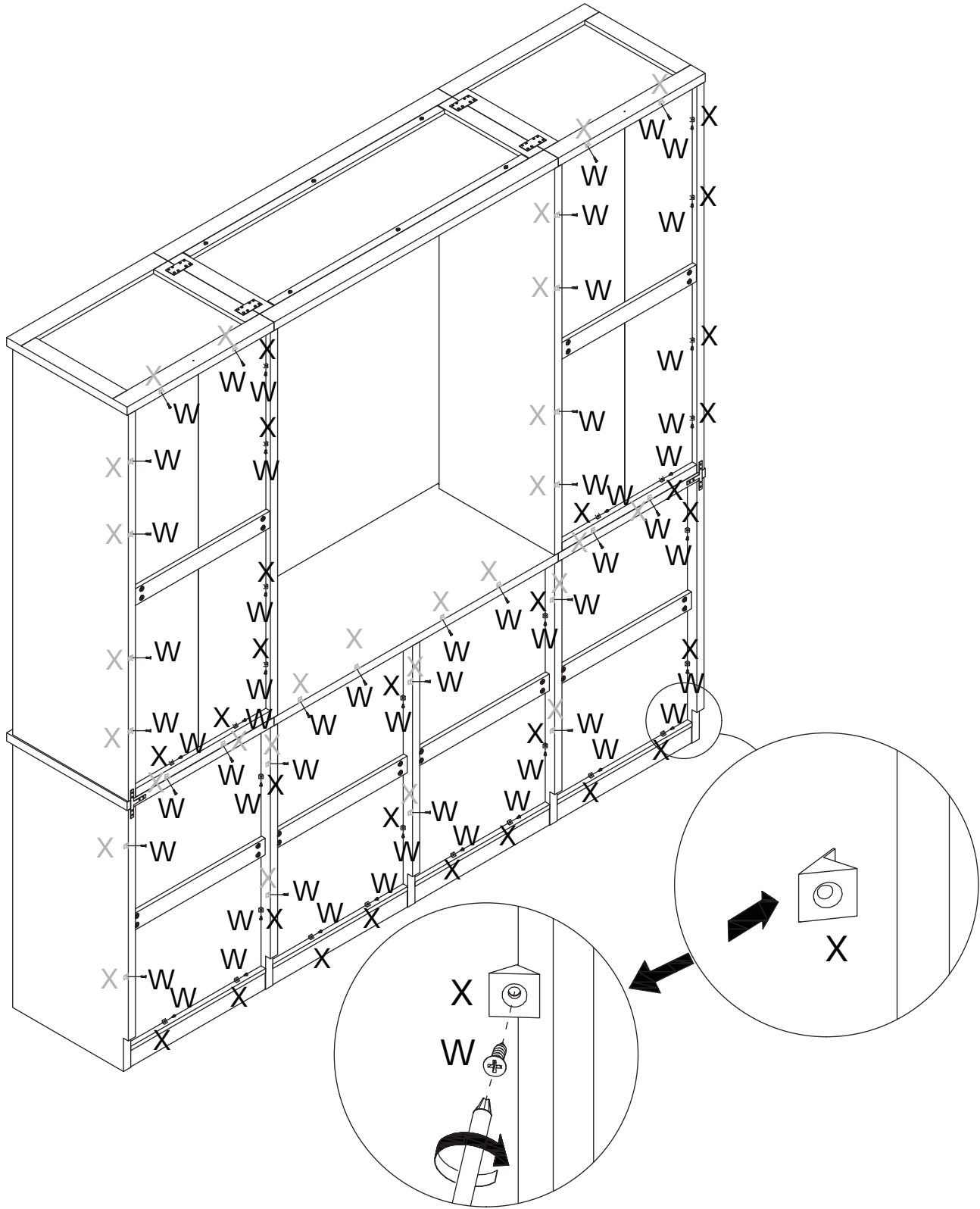


46

W x 56  CRD0314A	X x 56 	
---	---	---




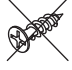
	F  CRD3512A	G  CRD3514A	W  CRD0314A
--	--	--	--

First insert clip (X) into the back slots, then secure with screw (W).

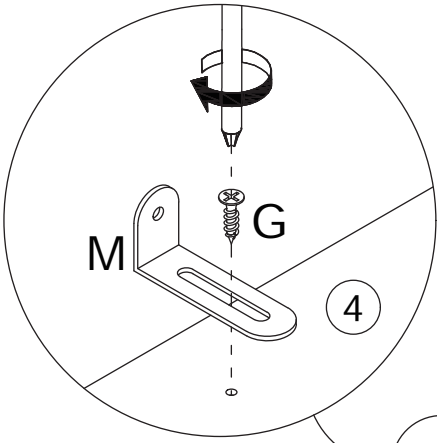


47

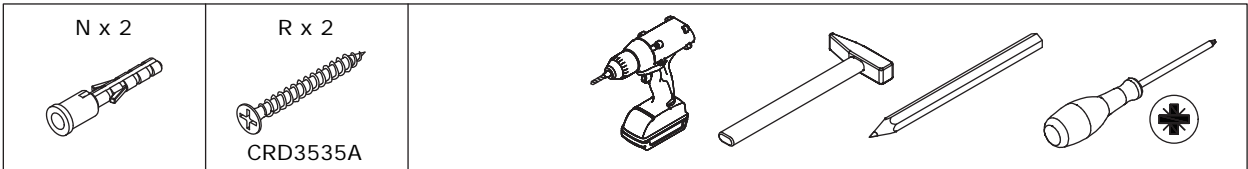
G x 2  CRD3514A	M x 2 	
--	--	---

	F  CRD3512A	G  CRD3514A	W  CRD0314A
--	---	--	---

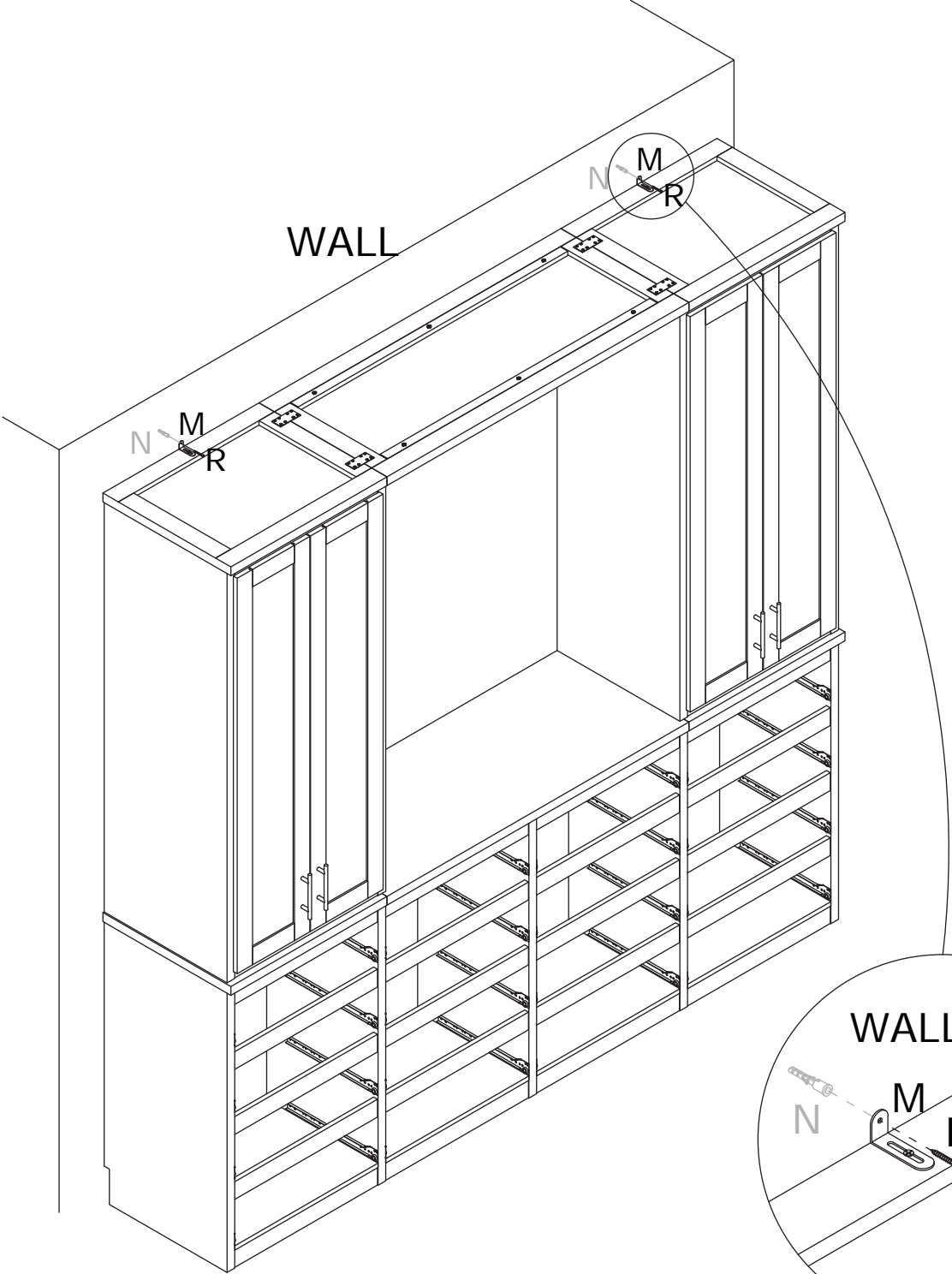
Secure bracket (M) to panel 2 and 4 using screw (G).



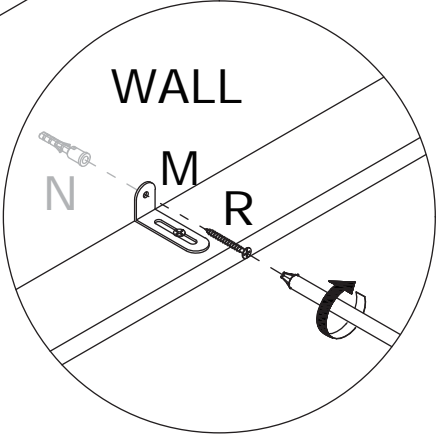
48



Install anti-tip devices.



- 1.
- 2.
- 3.
- 4.



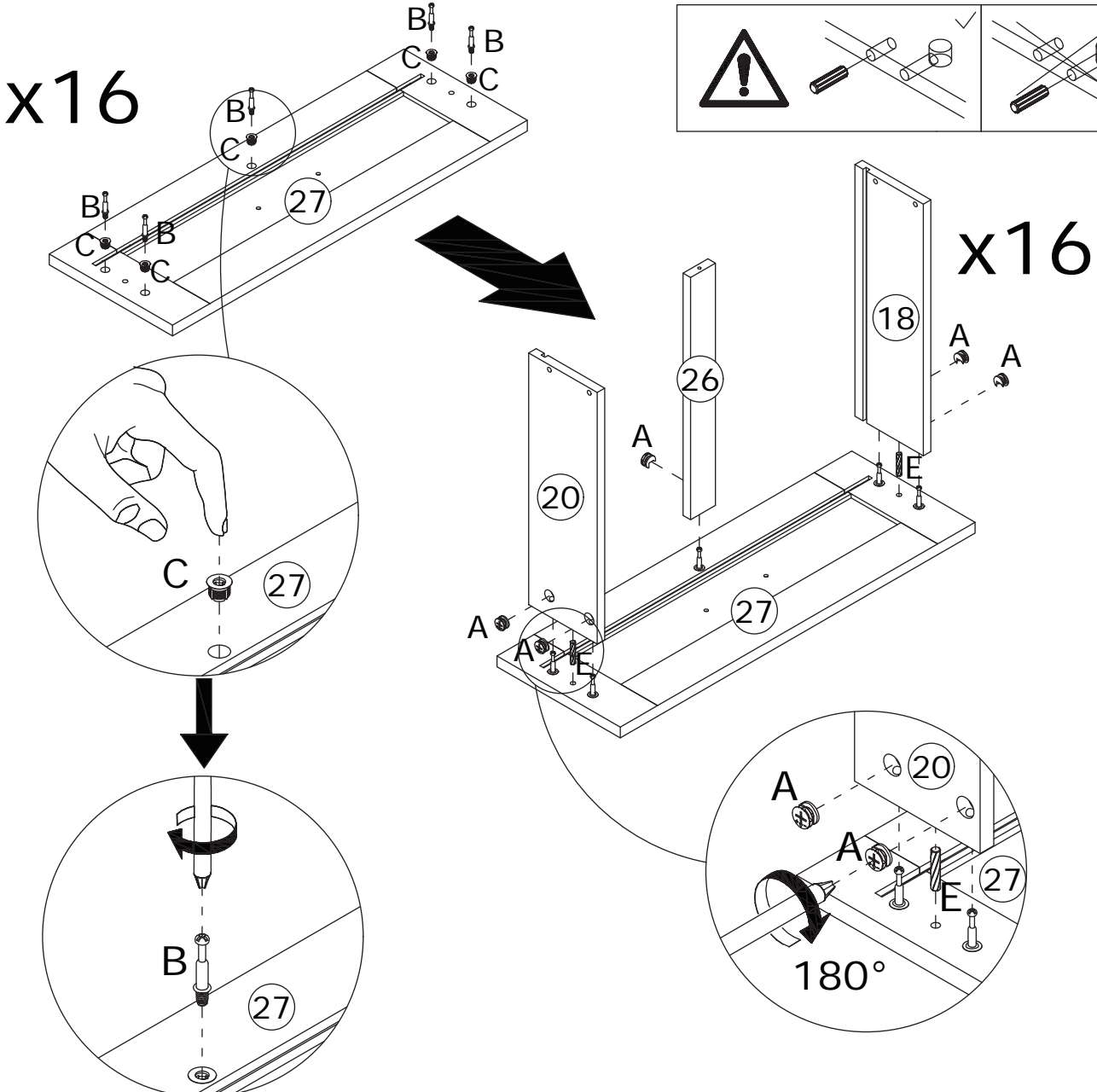
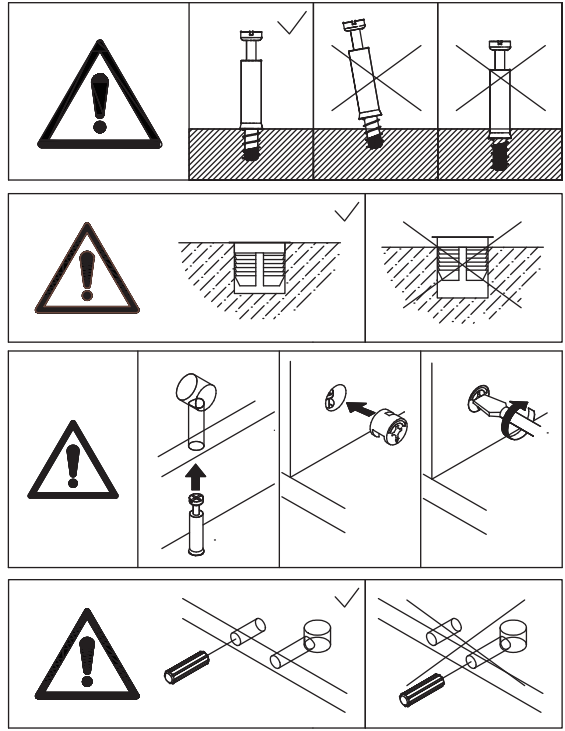
49

<p>A x 80</p> <p>CRB1595A</p>	<p>B x 80</p> <p>CRA0635B</p>	<p>C x 80</p>	<p>E x 32</p> <p>CRF0630A</p>	
-------------------------------	-------------------------------	---------------	-------------------------------	--

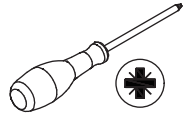
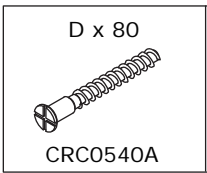
Insert plug (C) to panel 27, then screw self-tapping rod (B) onto.

Connect panel 18 and 20 to panel 27 using dowel (E), then add the eccentric wheel (A) and tighten by turning clockwise.

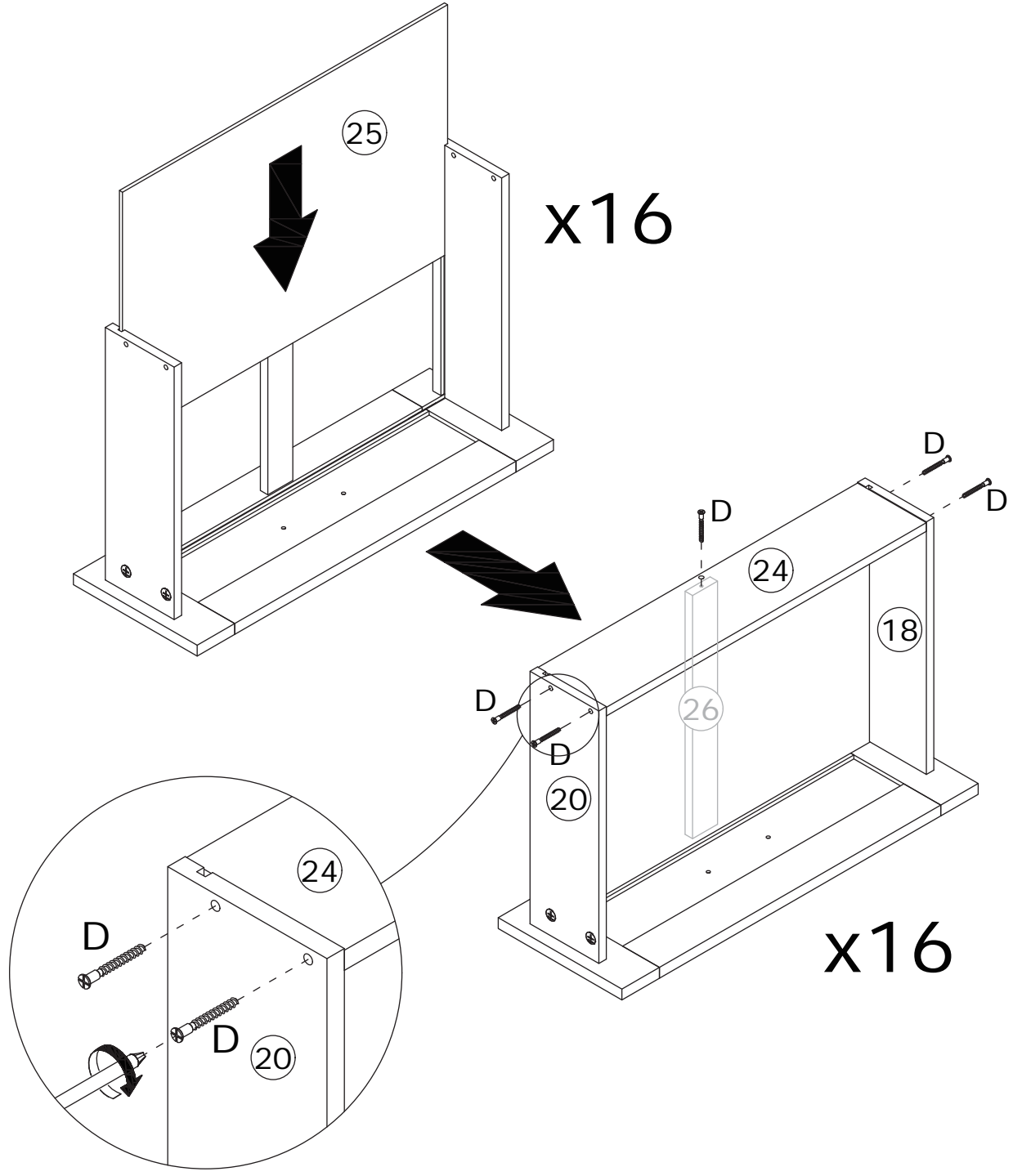
Connect panel 26 to panel 27, then add the eccentric wheel (A) and tighten by turning clockwise.



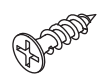
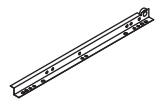
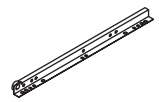
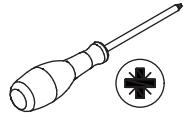
50




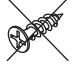


Insert panel 25 along the available slots.
Secure panel 24 to panel 18, 20, and 26 using screw (D).

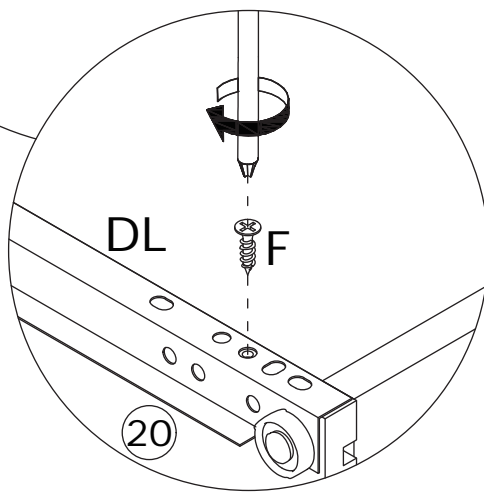
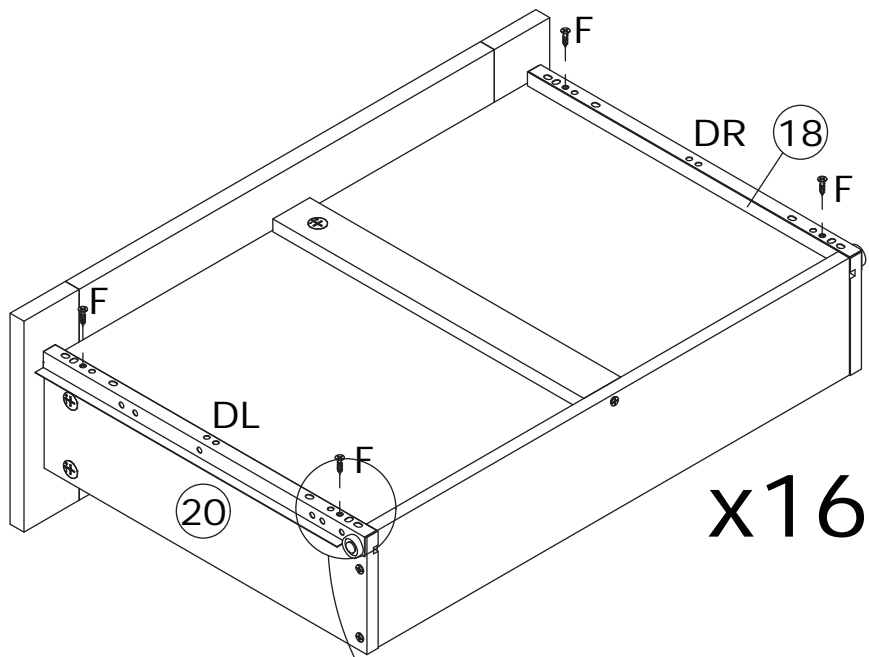


51

F x 64  CRD3512A	DL x 16  WX1014A	DR x 16  WX1014A	
---	---	---	---




	F  CRD3512A	G  CRD3514A	W  CRD0314A
--	--	--	--

Secure slide rail (DL) and (DR) to panel 20 and 18 using screw (F).

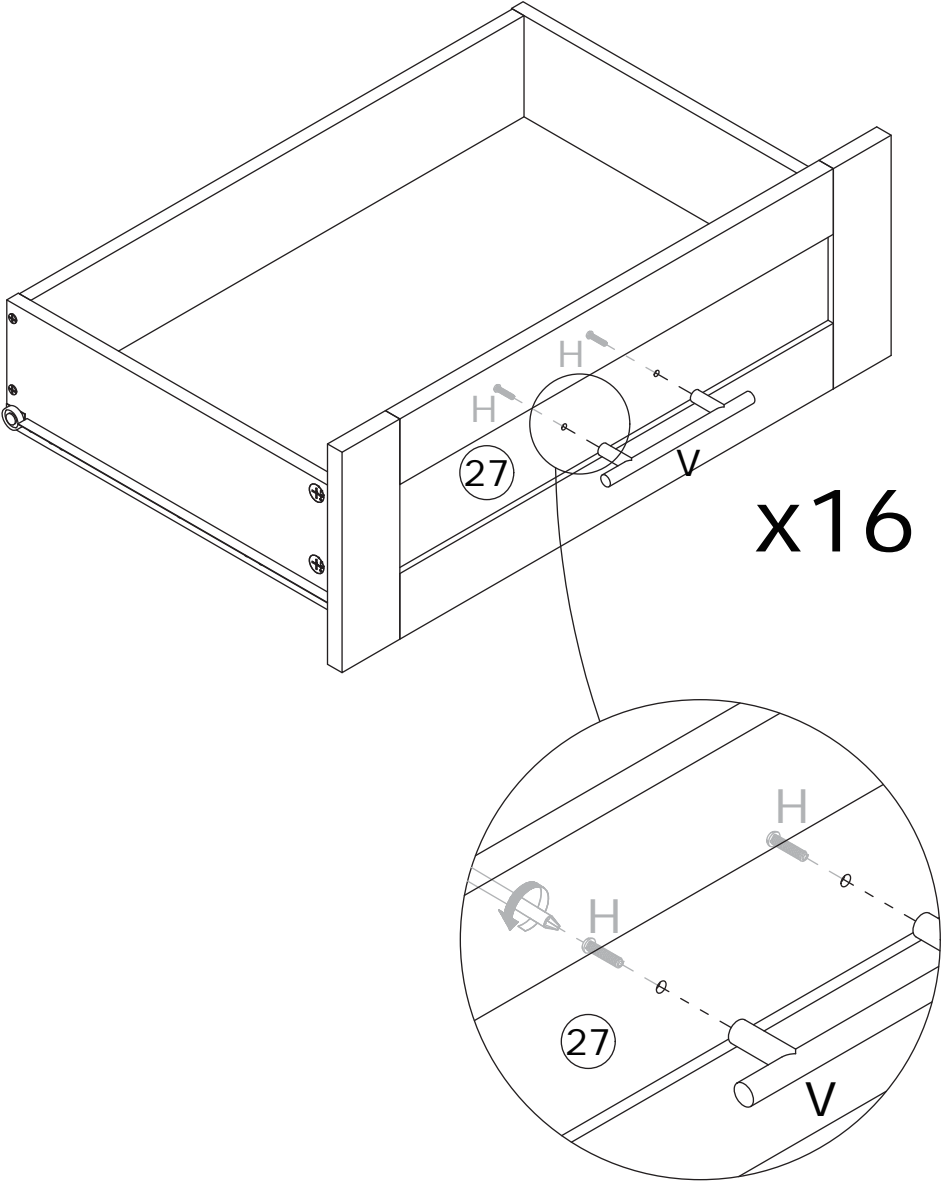


52

H x 32  CRE0408A	V x 16 	
---	---	---

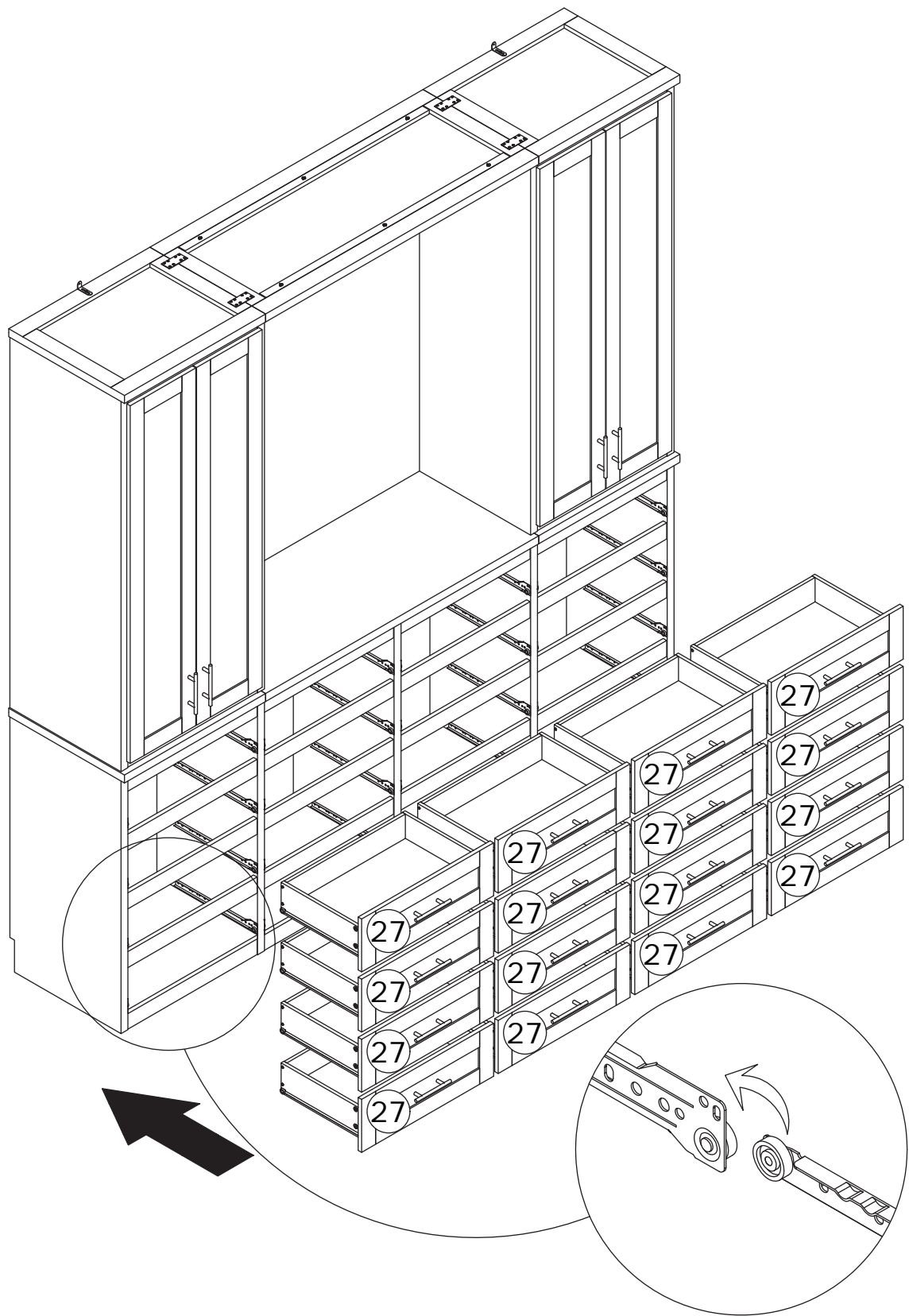
	H  CRE0408A	J  CRE0420A
--	--	--

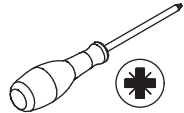
Secure handle (V) to panel 27 using screw (H).



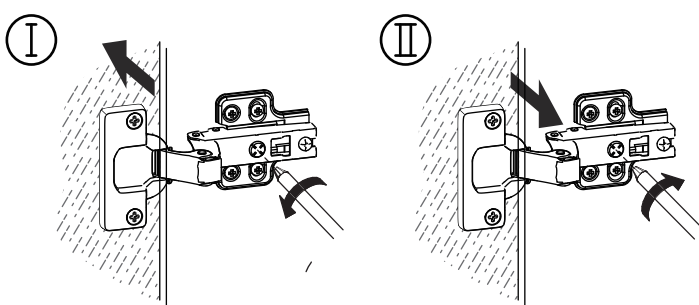
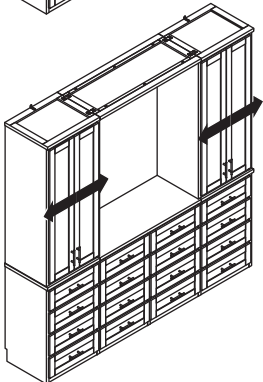
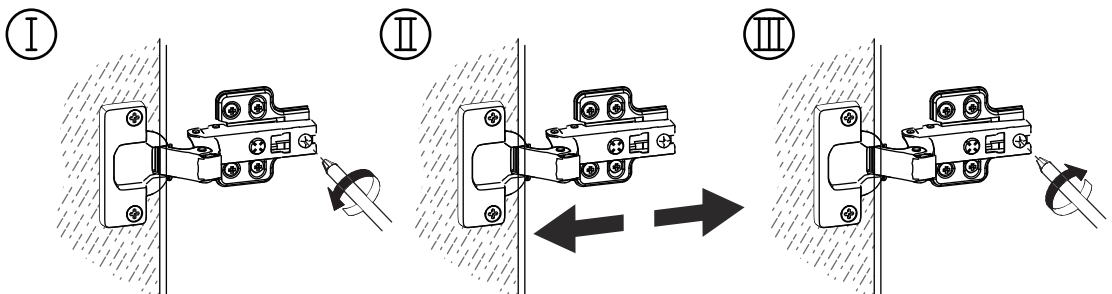
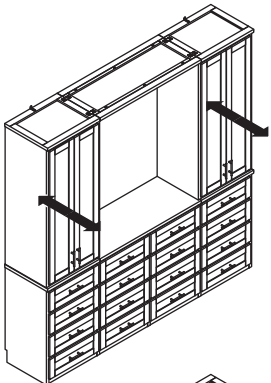
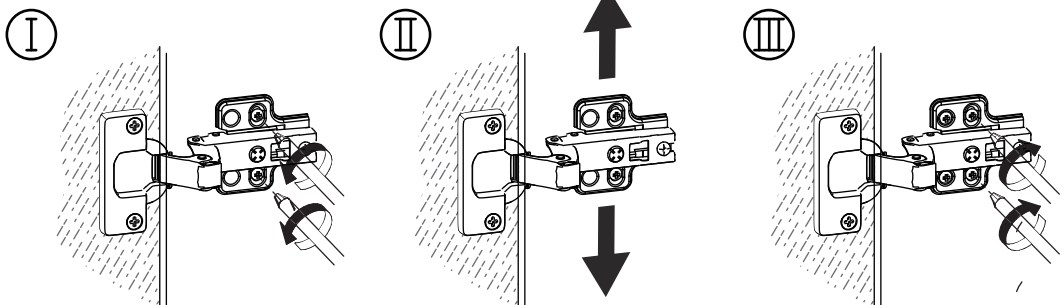
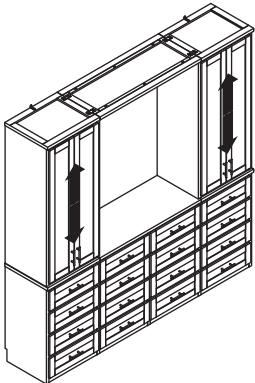
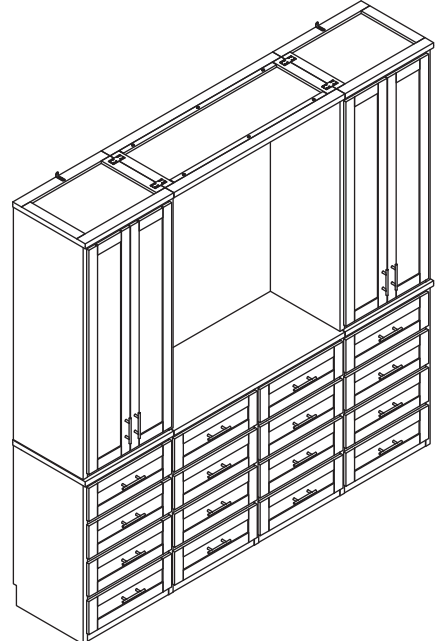
53

Assemble the drawers to the main unit.





If the door panels are not aligned, please adjust the screws on the hinges according to the illustration.



WARRANTY

WARRANTY CLAIMS

- There is a 30-day warranty for broken furniture or any other problems that do not work properly. The warranty will start from the date of purchase which must be verified by proof of purchase.
- Before making a claim, we may be able to answer your query, simply call us. Please leave your purchase order number, along with some details of the problem, if you want a replacement part. We will arrange within 48 hours. If there is out of stock, we will reply with a shipping date.
- The product must be used in accordance with the instructions provided. For health reasons.
- For other reasons, if the furniture needs to be returned, it must be cleaned and dried and operated within 30 days of receipt.

Type of Warranty Claim

- Failure to follow the furniture instructions will invalidate the warranty. Attention please.
- Does not include damage during installation, but includes damage during transportation.

Scope of responsibility

- Shall not bear any responsibility for misuse or user damage and / or loss of parts during the installation of furniture.
- After using, the damage and scratches of the furniture are not covered by the warranty.

The Warranty Relates to All Bought in The Us and Covers The Following Areas

- Sheet parts: 1 month from the date of purchase.
- Electrical parts: 1 month from the date of purchase.

RETURNS

CHANGED YOUR MIND AND NEED TO RETURN YOU ITEM?

PLEASE FOLLOW THE BELOW INSTRUCTIONS:

- If you have purchased and have simply changed your mind, follow the retailer's instructions for returns.

DEFECTIVE ITEMS

- If your item is defective in any way, i.e. it doesn't work but you can't identify why, in the first instance, please call us.

DAMAGED ITEMS

- If you receive an order with obvious shipping damage from the retailer, then we suggest the delivery is refused. If the delivery has been accepted and then shipping damage is found, please follow the specific instructions advised by the retailer.
In all circumstances please save all packaging material and paperwork for the order. Please be aware that if you dispose of packaging material or attempt to return the merchandise without contacting the fulfiller, you jeopardise your chances of making a claim, and you may not receive a credit for the return.