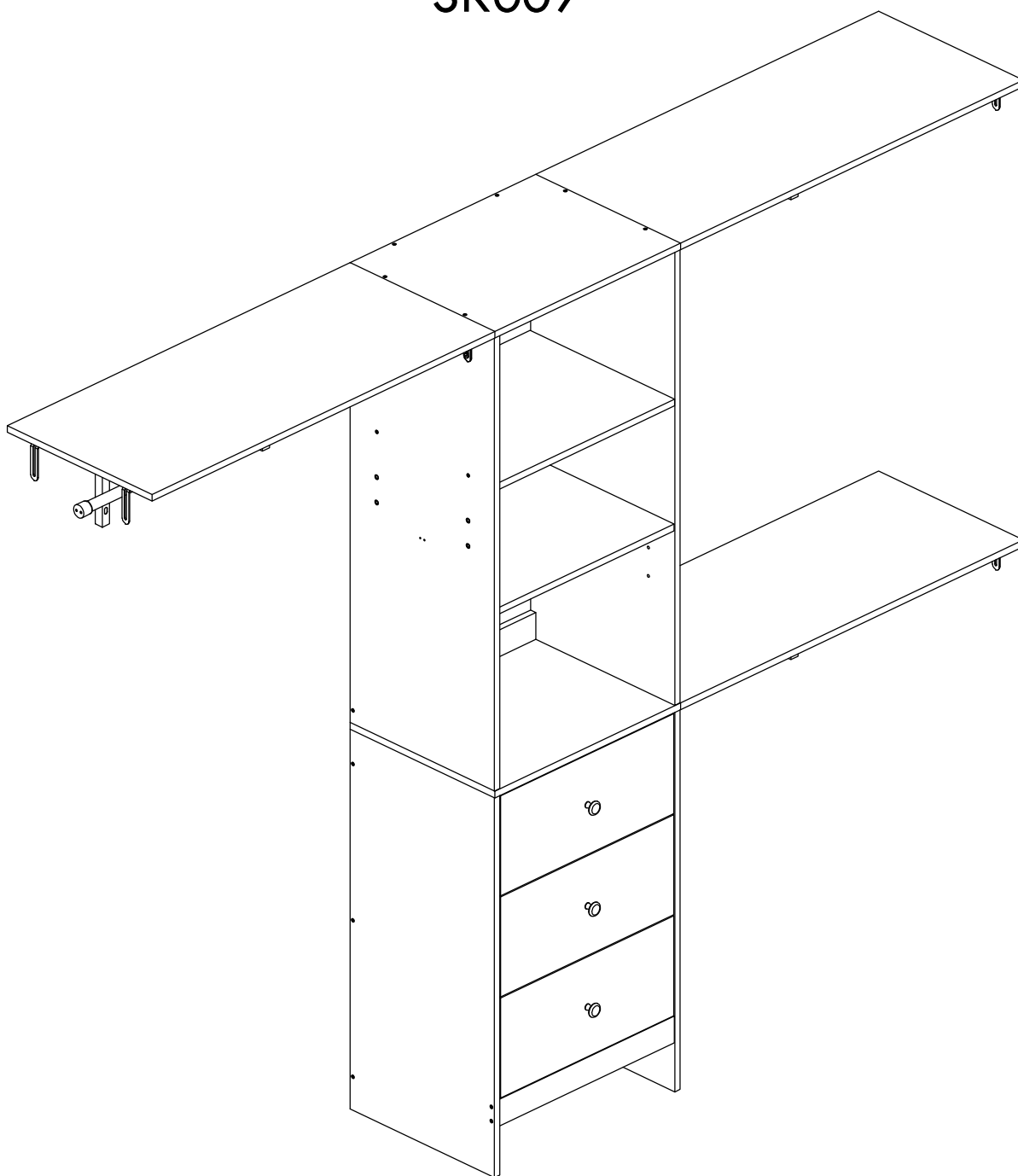


STARY

Assembly Manual

Shoe rack

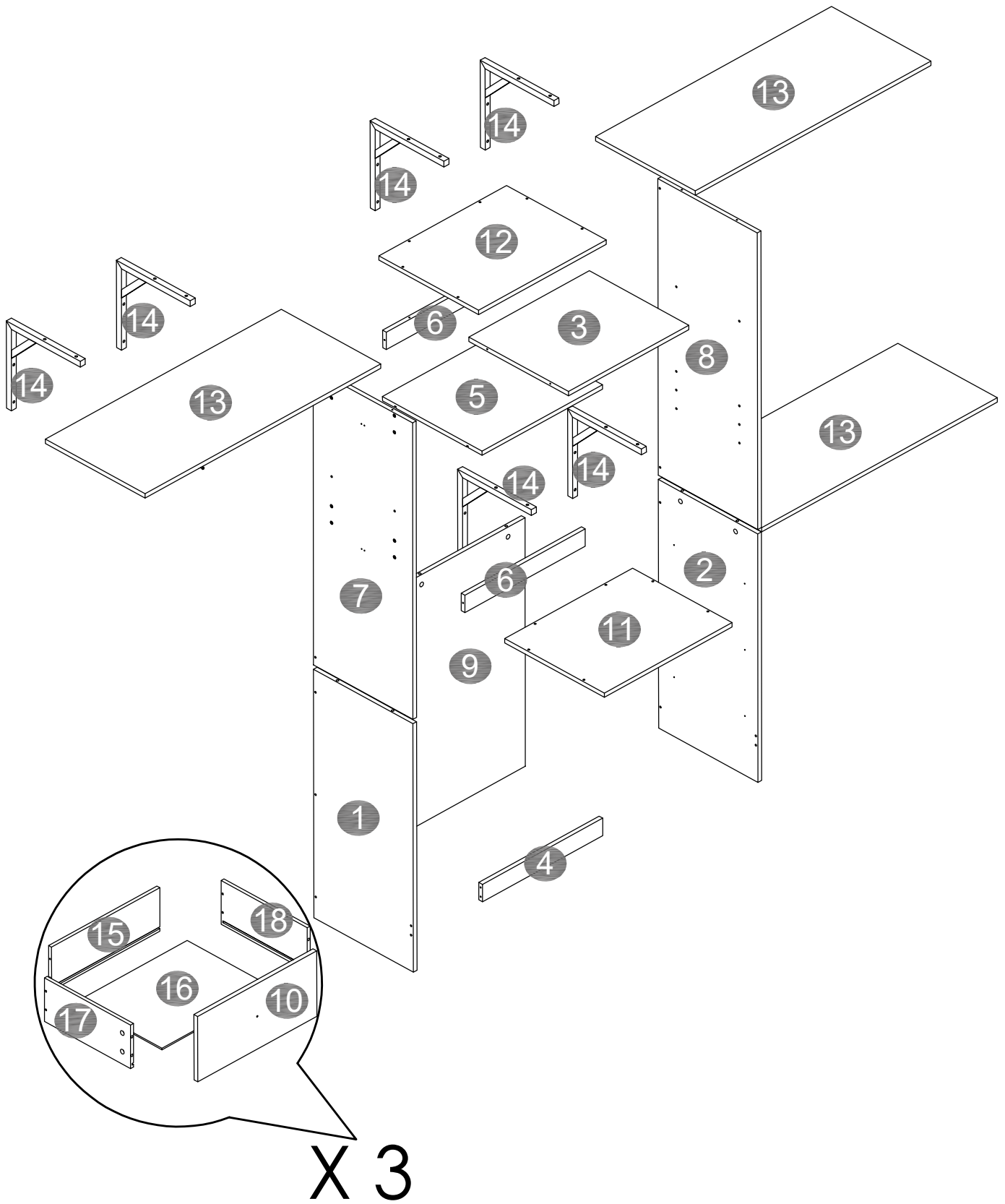
SR009



Please read this manual carefully before any operation and keep it properly for future use.

Customer Service: ecservice@isunon.com


Exploded View



Warnings

ATTENTION:

FUNCTION OF KLIX CAM

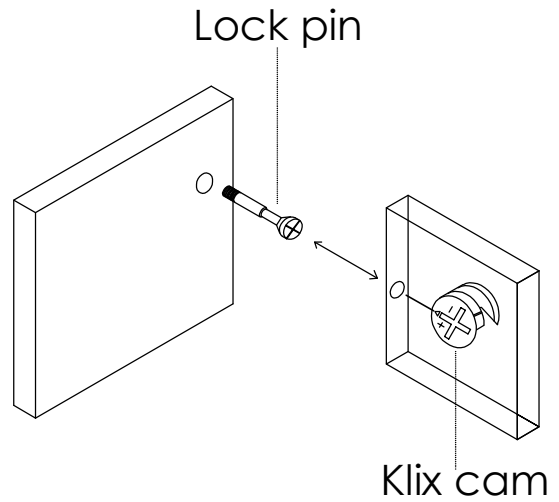


1/2 RIGHT
TURN FOR
LOCKING



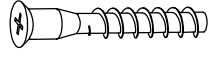
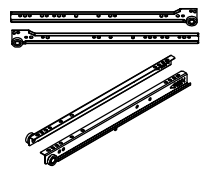
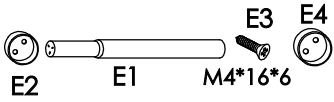

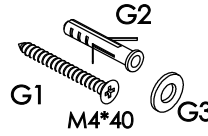
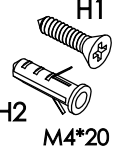
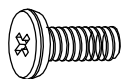

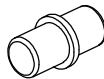

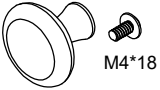
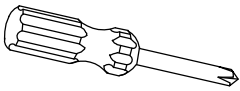
MAKE SURE THE ARROW OVER AGAINST THE
TOPSIDE OF CAM LOCK PIN BEFORE
INSERTING INTO THE PANEL'S HOLE

IMPORTANT!

After 180° right turn, if there is a gap between the boards, please check whether the cam lock pin is tightened enough.



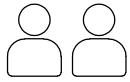
Components List

			
A M6*40(*18+2)	B Ø15*9.5(*18+2)	C M5*40(*42+2)	D Guide rail(*3)
			
E Telescopic clothes hanger assembly(*3) E4 is better than E3 large	F M6*30(*12+2)	G Expansion screw (*12+2)	H Expansion screw (*18+2)
			
I M5*12(*36+2)	J L-shaped angle iron (*12)	K Laminated pallet (*4)	L M4*16(*36+2)
			
M Handle(*3)	N Screwdriver(*1)		

Components List

45min

Assembly Time



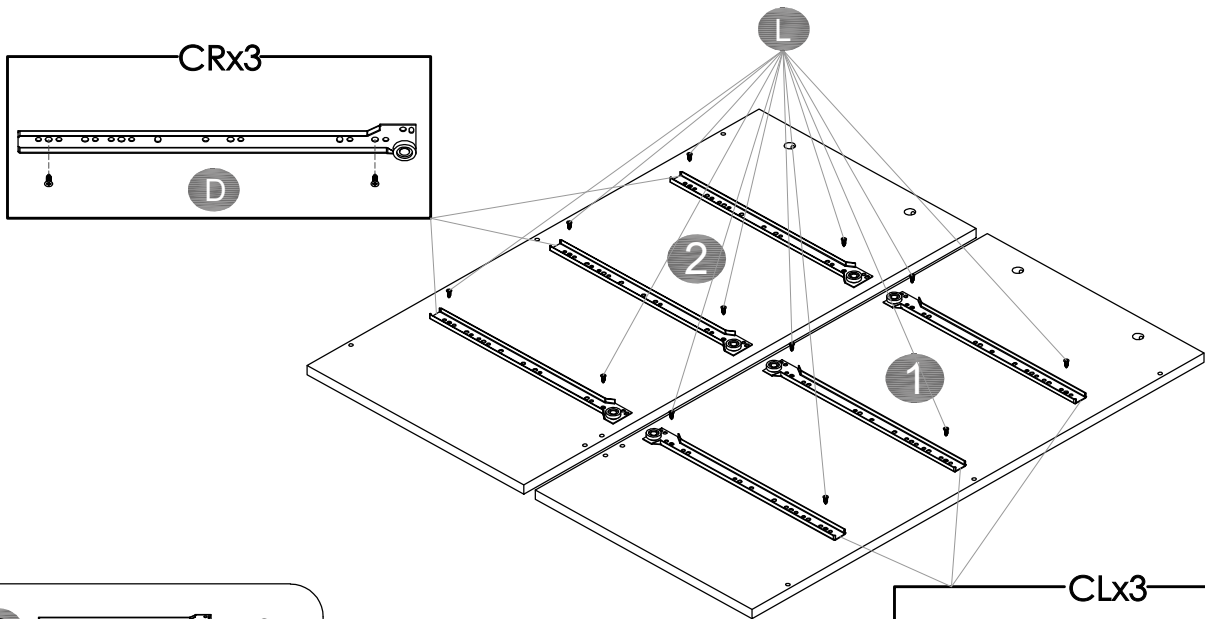
Two People

<p>1</p> <p>1PC</p>	<p>2</p> <p>1PC</p>	<p>3</p> <p>1PC</p>	<p>4</p> <p>1PC</p>
<p>5</p> <p>1PC</p>	<p>6</p> <p>2PCS</p>	<p>7</p> <p>1PC</p>	<p>8</p> <p>1PC</p>
<p>9</p> <p>1PC</p>	<p>10</p> <p>3PCS</p>	<p>11</p> <p>1PC</p>	<p>12</p> <p>1PC</p>
<p>13</p> <p>3PCS</p>	<p>14</p> <p>6PCS</p>	<p>15</p> <p>3PCS</p>	<p>16</p> <p>3PCS</p>
<p>17</p> <p>3PCS</p>	<p>18</p> <p>3PCS</p>		

Assembly Instruction

STEP 1

Attach rails(D) to the boards(1&2) using screws(L) and screwdriver(N).



D X 3

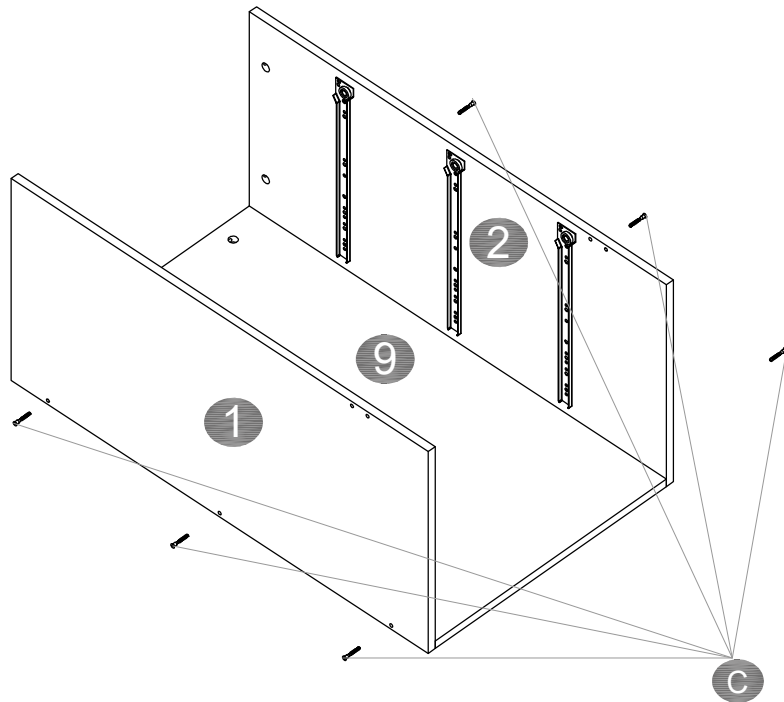
L X 12
M4*16

CLx3

D

STEP 2

Attach board(9) to boards(1&2) using screws(C).

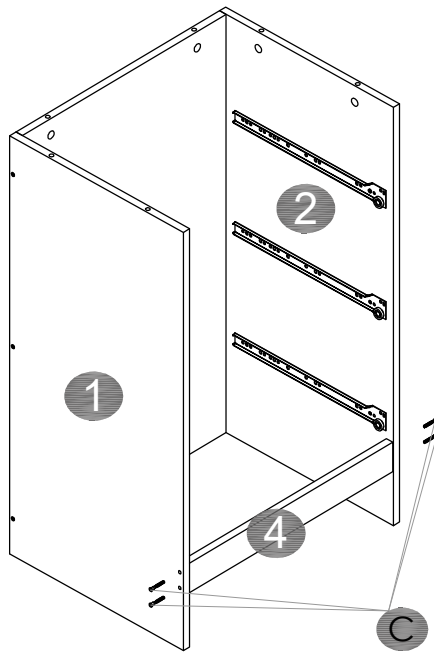


C X 6

Assembly Instruction

STEP 3

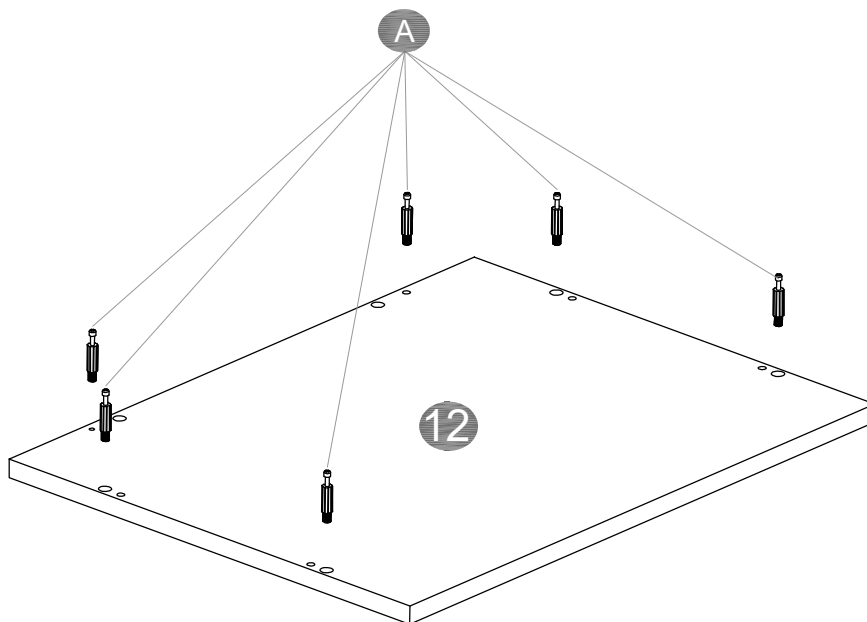
Attach board(4) to boards(1&2) using screws(C) .



C  X 4

STEP 4

Screw cam lock pins(A) into holes on board(12) as shown below.

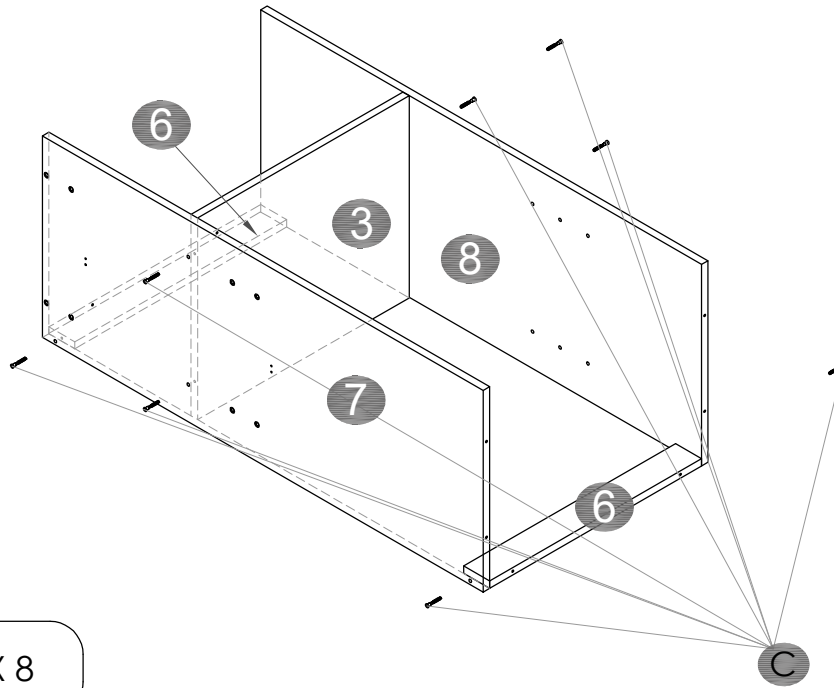


A  X 6

Assembly Instruction

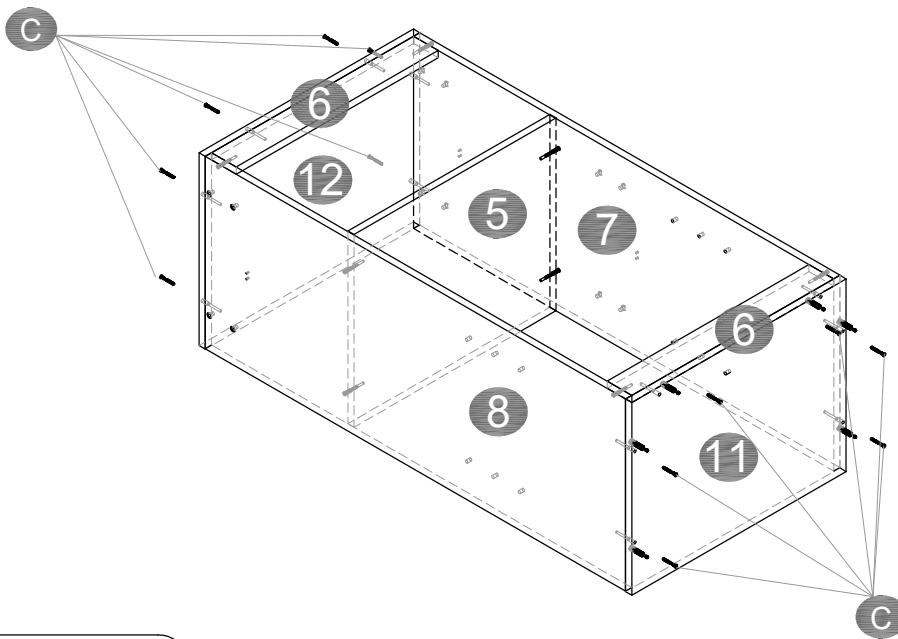
STEP 5

Attach boards(3&6)to boards(7&8) using screws(C) .



STEP 6

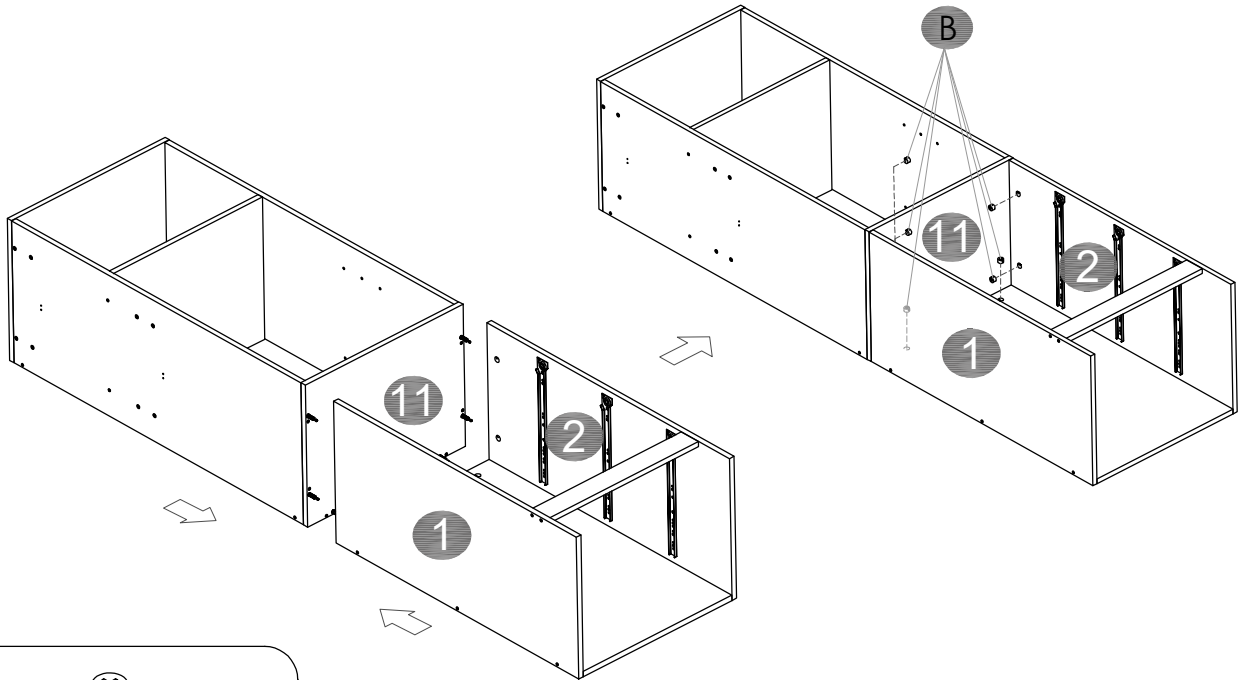
Attach boards(11&12) to boards(7&8) using screws(C).



Assembly Instruction

STEP 7

Attach board(11) to boards(1&2) and lock them in place by turning the Klix cams (B).



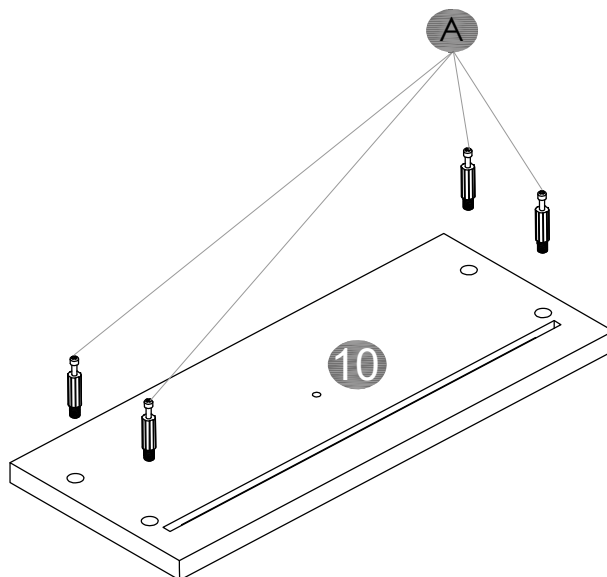
B



X 6

STEP 8

Screw cam lock pins(A) into holes on boards(10) as shown below.



X 3

A

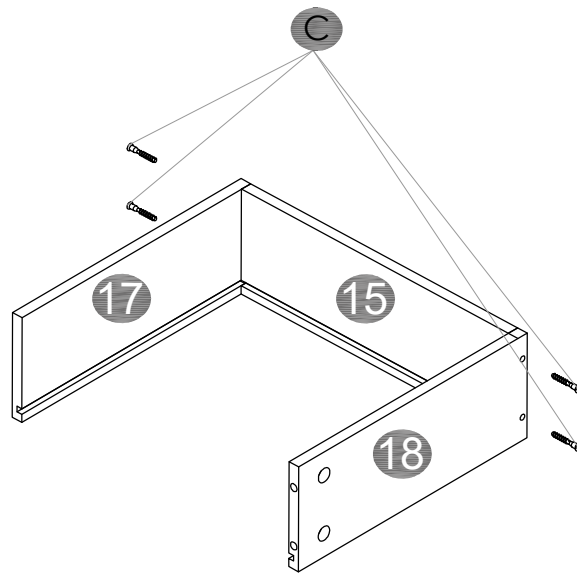


X 12

Assembly Instruction

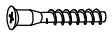
STEP 9

Attach board(15) to boards(17&18) using screws(C) .



X 3

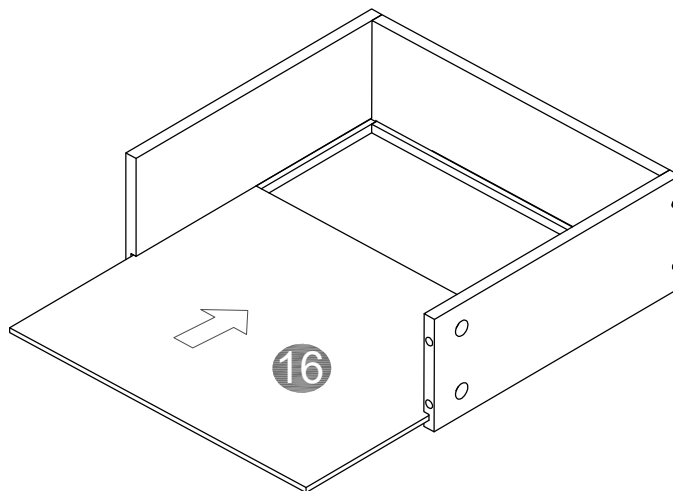
C



X 12

STEP 10

Insert boards(16) into the slots as shown below.

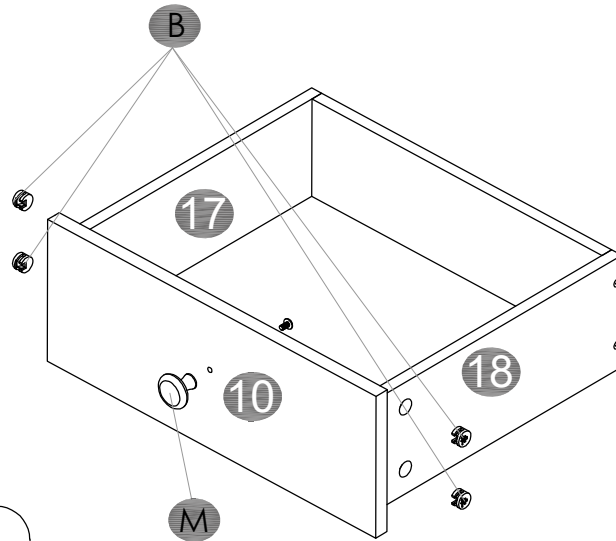


X 3

Assembly Instruction

STEP 11

Attach board(10) to boards(17&18) and lock them in place by turning the Klix cams(B). Then attach handles(M)to the boards(10) using screws of handles.



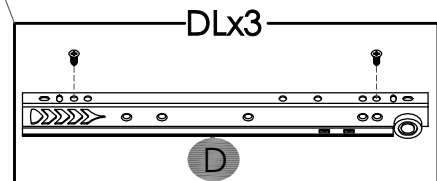
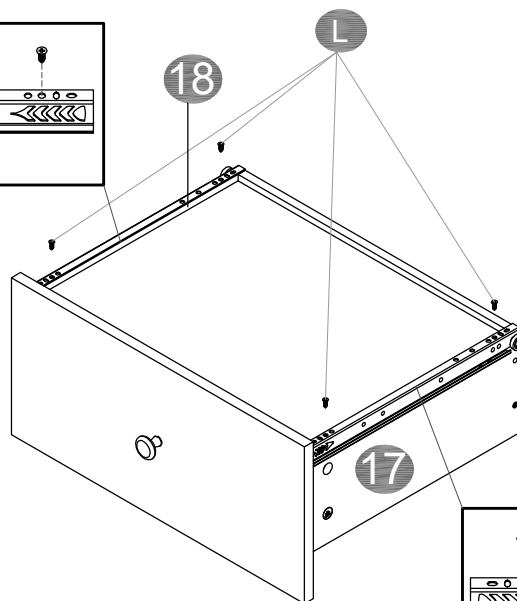
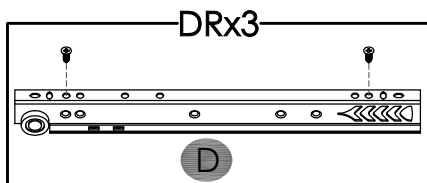
X 3

B  X 12

M  X 3
M4*18

STEP 12

Attach rails(D) to the boards(17&18) using screws(L) and screwdriver(N).

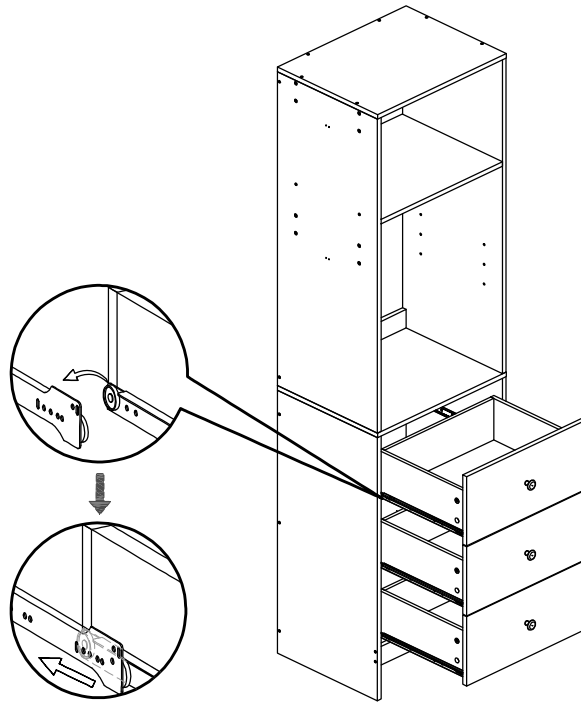


D  X 3

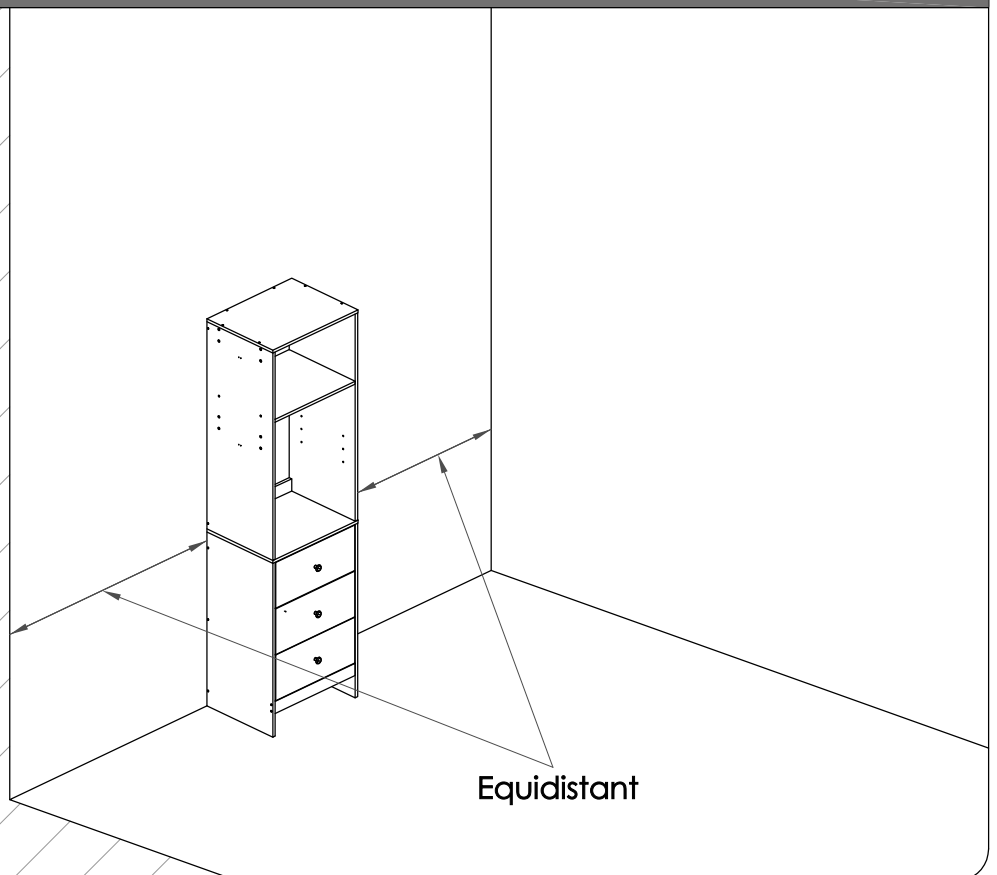
L  X 12
M4*16

Assembly Instruction

STEP 13 Insert the drawers into the cabinet as shown in the picture.

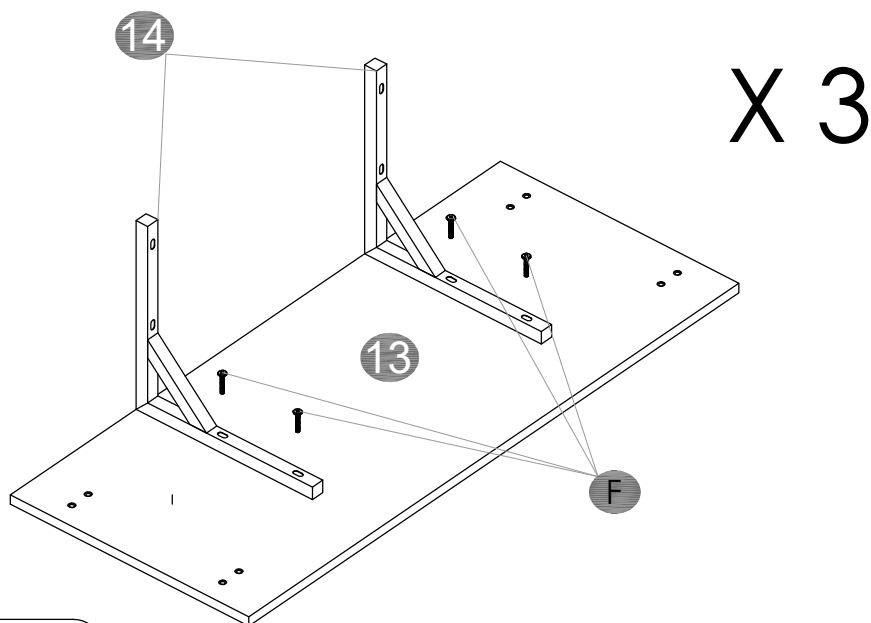


STEP 14 Place the cabinet between two walls or two side panels and make sure it is equidistant.



Assembly Instruction

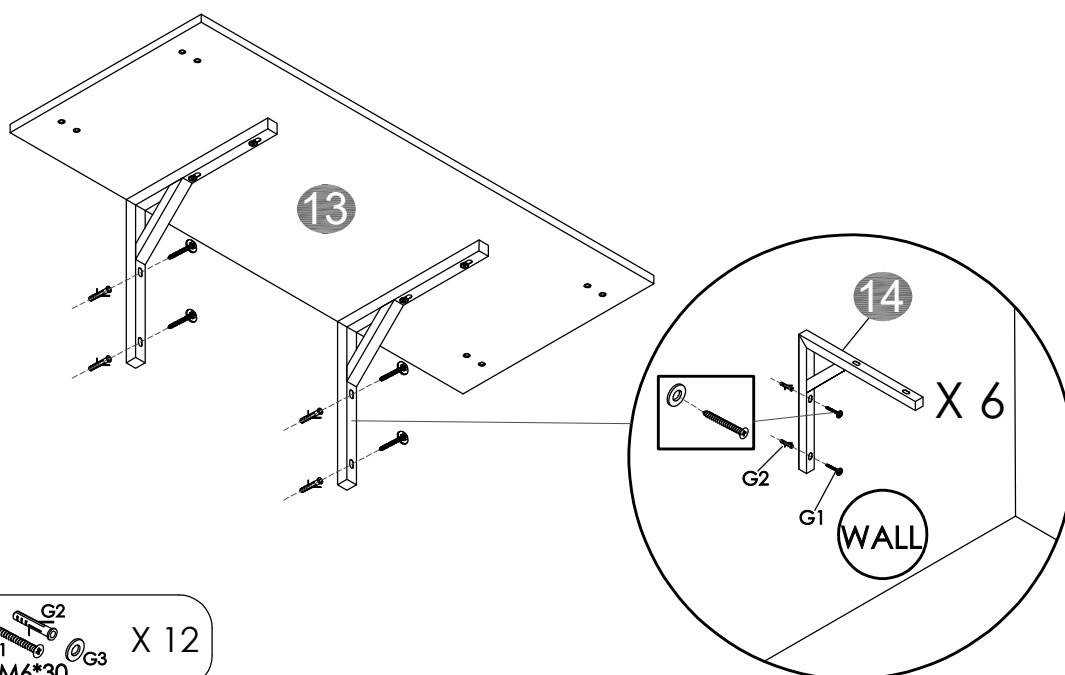
STEP 15 Attach the iron support(14) to the board(13) using screws(F).



F  X 12
M6*30

STEP 16

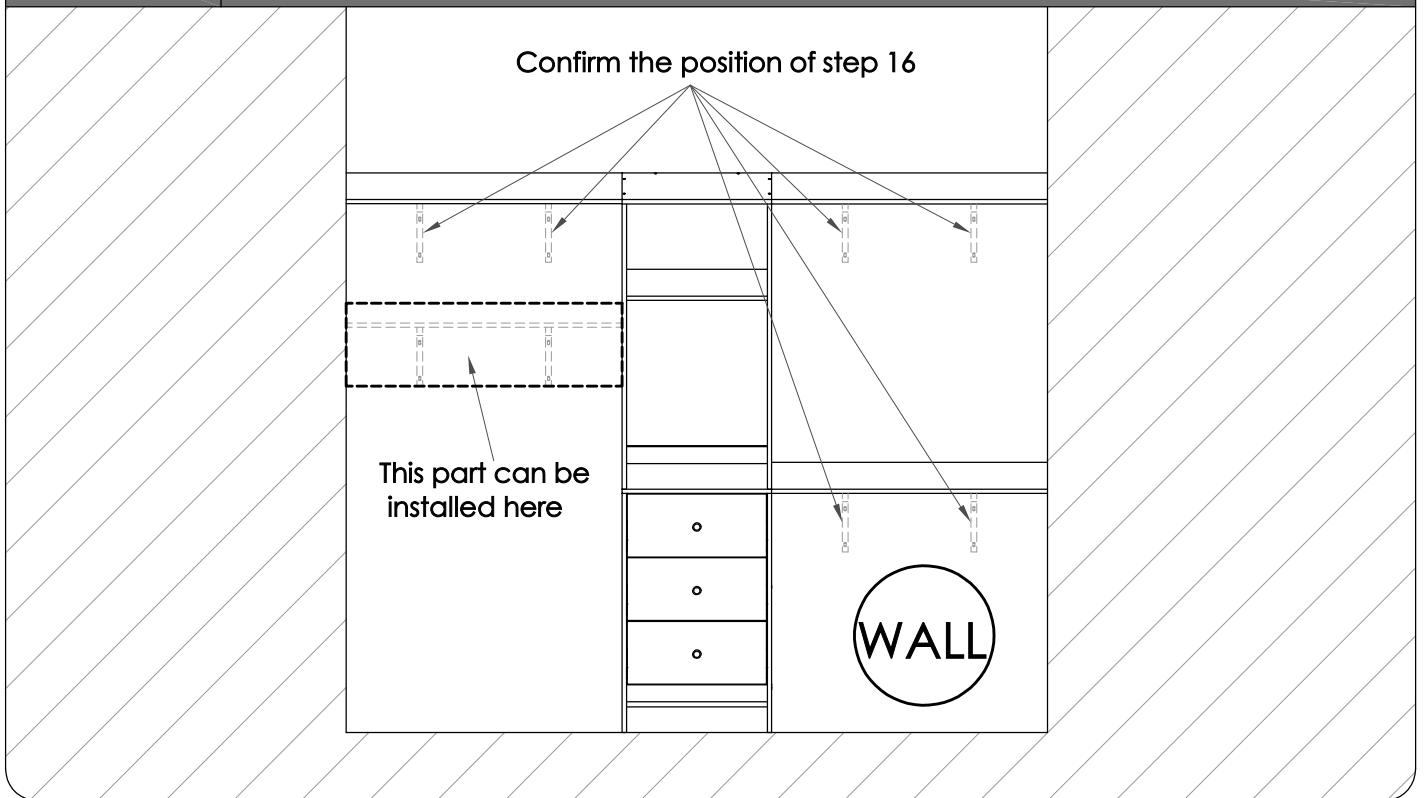
Use an electric drill to drill the corresponding position guiding hole for the iron support(14) on the wall (you should prepare an electric drill by yourself). insert the fixed expansion screw sleeve (G2) into the hole on the wall. Then insert (G1) into (G3), and use screws (G1&G3) to secure the iron piece (14) to the wall.



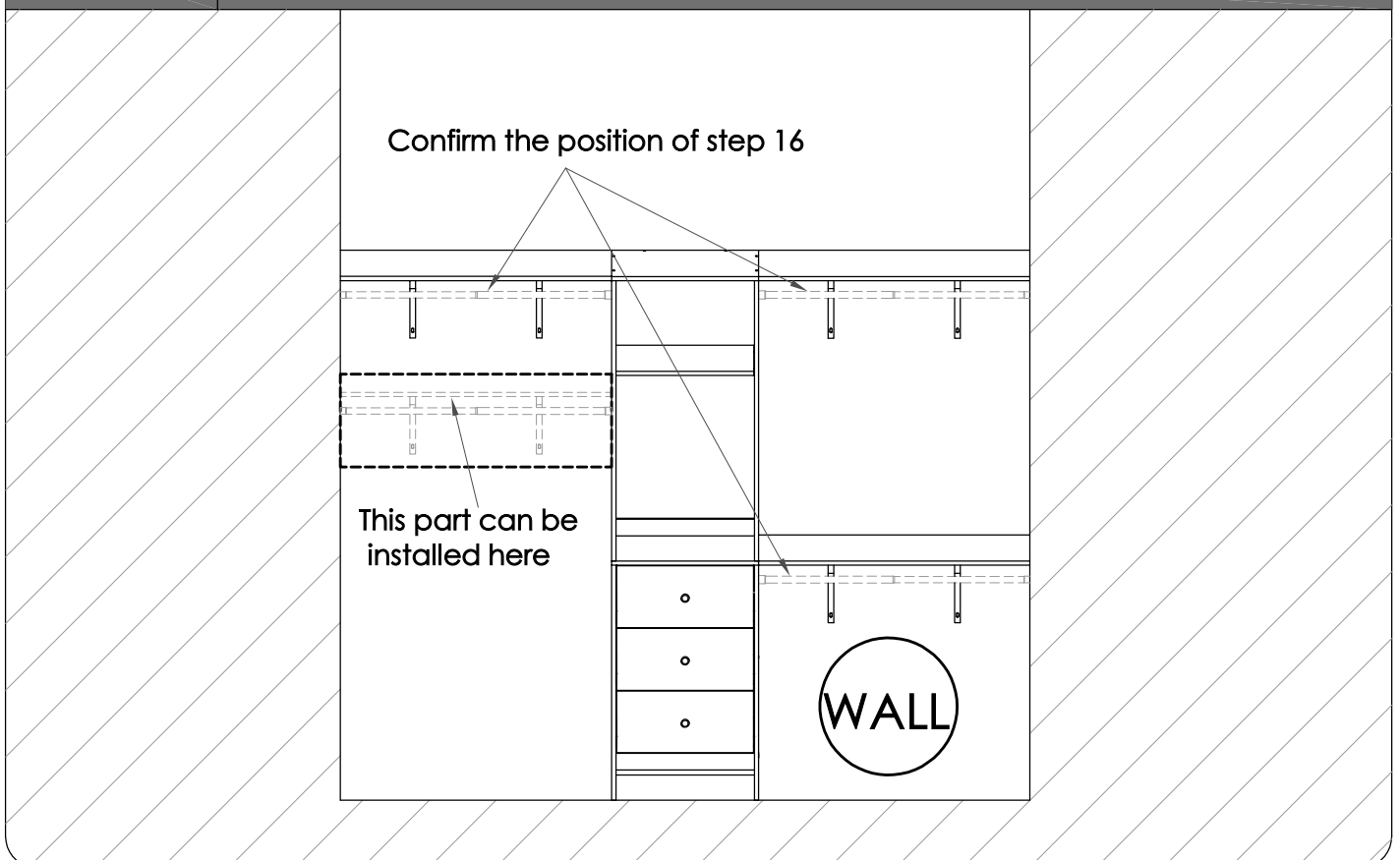
G    X 12
M6*30

Assembly Instruction

STEP 17 Operate as shown in the diagram.



STEP 18 Operate as shown in the diagram.

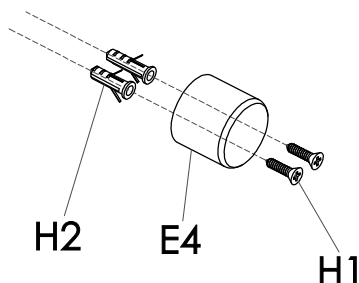


Assembly Instruction

STEP 19

When its one side is installed on the wall: Use an electric drill to drill the corresponding position guiding holes on the wall (you should prepare an electric drill by yourself). Insert the fixed expansion screw sleeve (H2) into the hole on the wall. Then secure the covers(E4) to the wall using screws(H1).

WALL



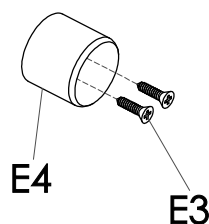
E  X 3

H  X 6
 M4*20

STEP 20

When its one side is installed on the board: Attach covers(E4) to the wall using screws(E3) .

BOARD



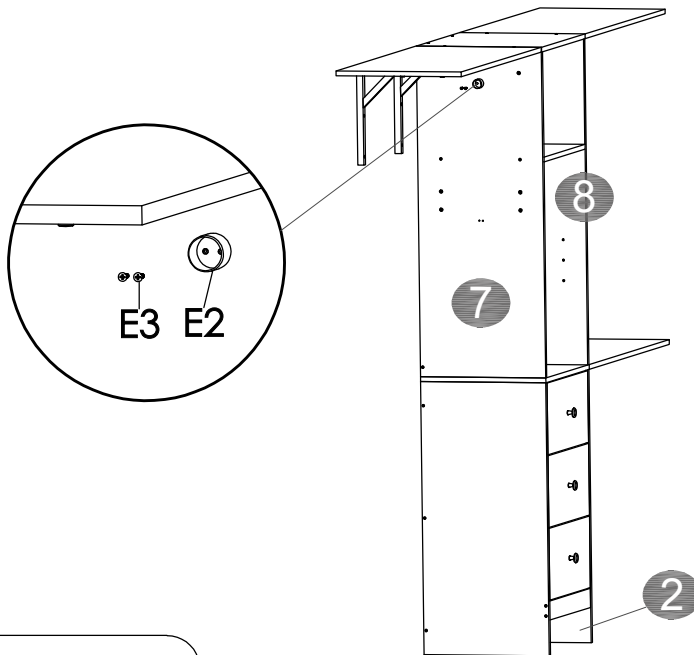
E  X 3

E3  M4*16

Assembly Instruction

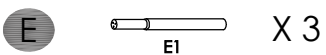
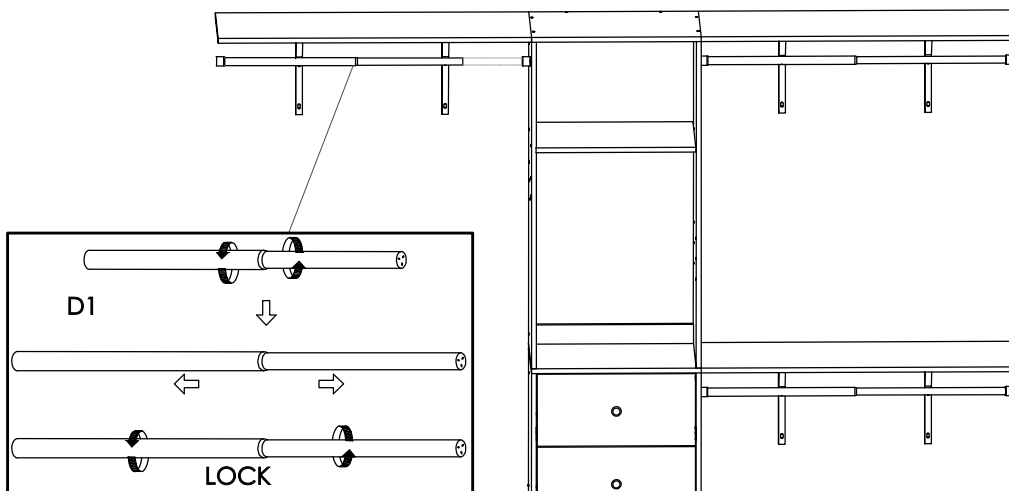
STEP 21

As shown in the picture, attach (E2) to the corresponding positions on the boards(2&7&8) using screws(E3).



STEP 22

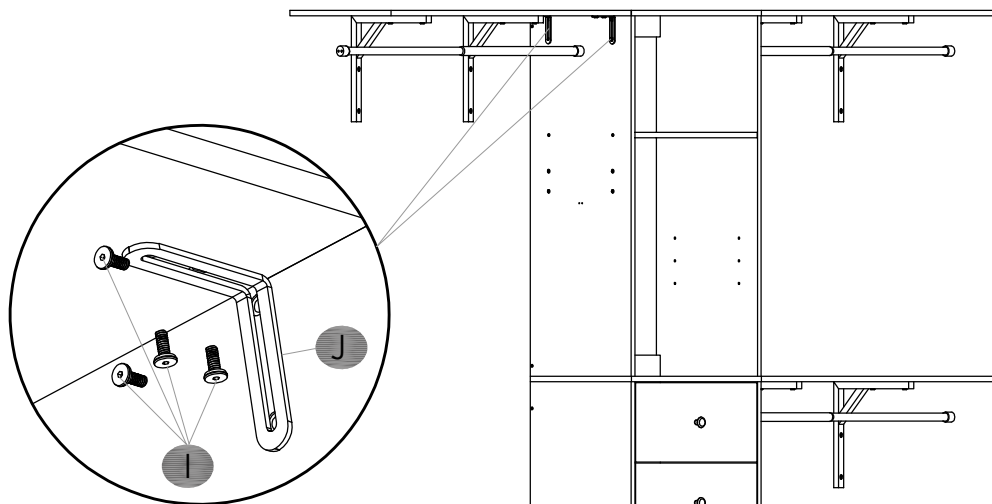
Insert the larger end of the clothes drying rod (E1) into (E4), rotate and stretch it as shown in the figure, then insert the other end into (E2), finally rotate and fix it.



Assembly Instruction

STEP 23

Attach the L-shaped iron support (J) to the plate using screws (I) as shown in the picture.

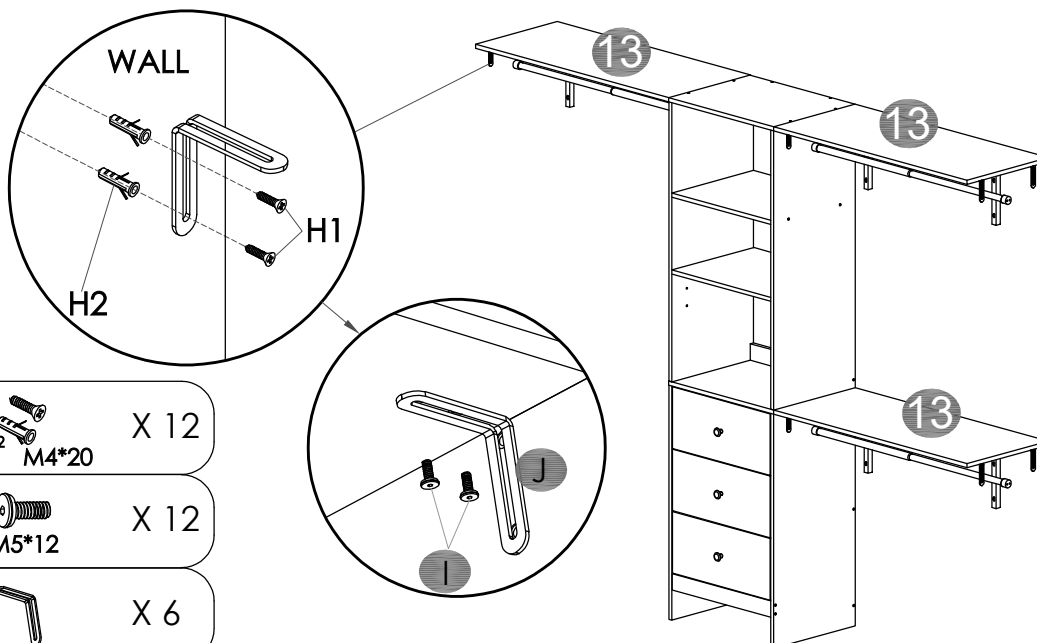


I  X 24
M5*12

J  X 6

STEP 24

When its one side is installed on the wall: Use an electric drill to drill corresponding guide holes on the wall (you should prepare an electric drill by yourself). Insert the fixed expansion screw sleeve (H2) into the hole on the wall. Then use screw (H1) to secure L-shaped iron support (J) to the wall, then the other side is locked on the board (13) using screws (I) as shown in the picture.



H  X 12
H2  M4*20

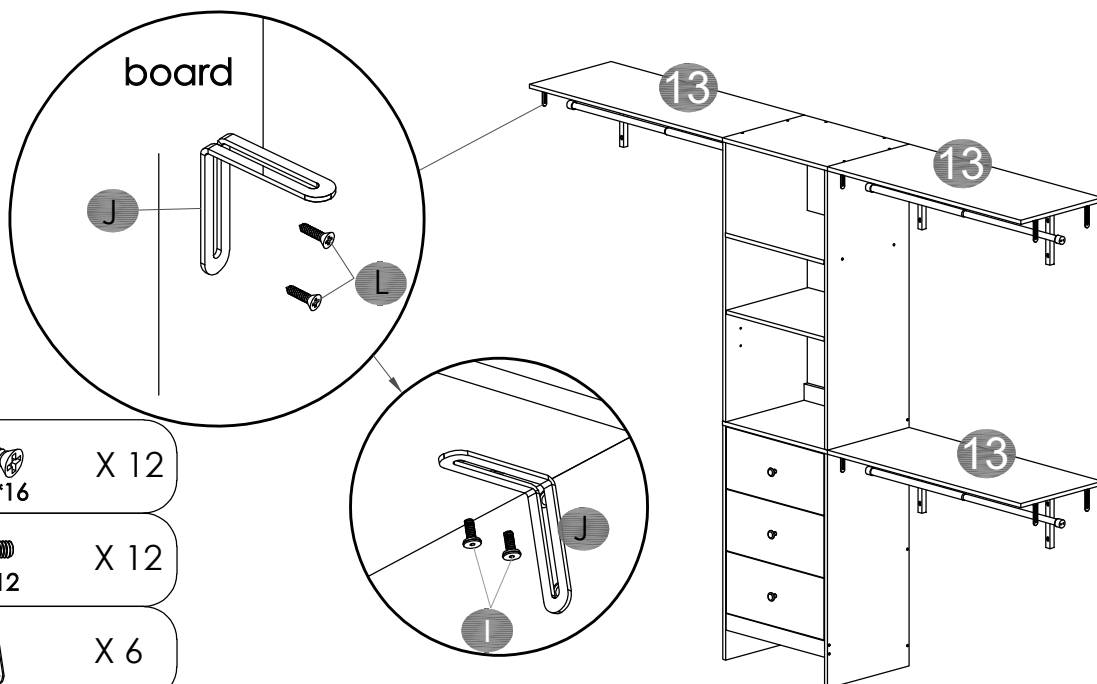
I  X 12
M5*12

J  X 6

Assembly Instruction

STEP 25

When its one side is installed on the board: Attach the L-shaped iron support (J) to the board using screws (L), Then The other side is locked on the board (13) using screws (I) as shown in the picture.



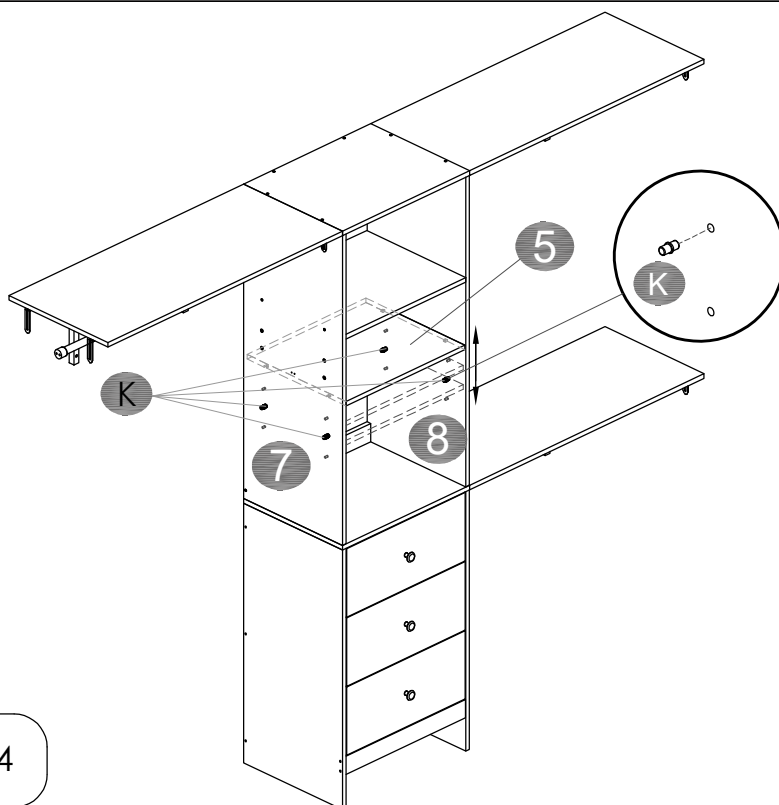
L M4*16 X 12

I M5*12 X 12

J X 6

STEP 26

Insert the layer board nails (K) into the corresponding holes of boards (7&8), and then place board (5) on top. There are three adjustable positions on board (7&8).



K X 4