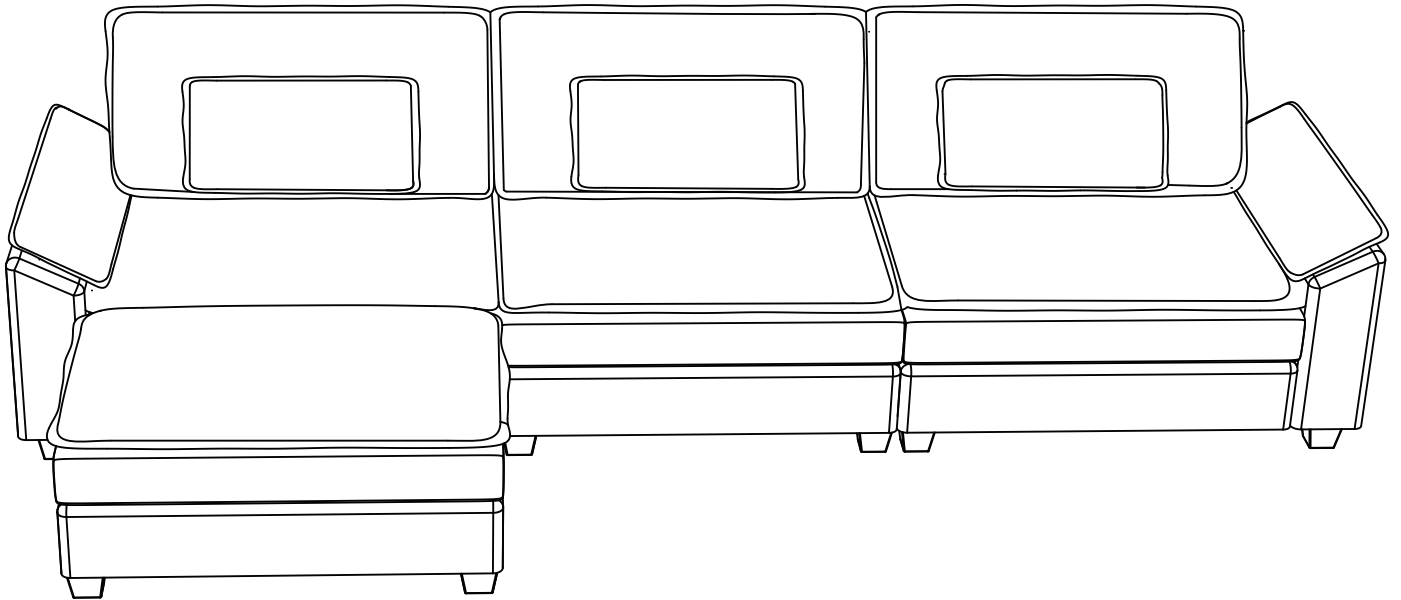


SECTIONAL SOFA

If you have any questions about the sectional sofa, please feel free to contact us.



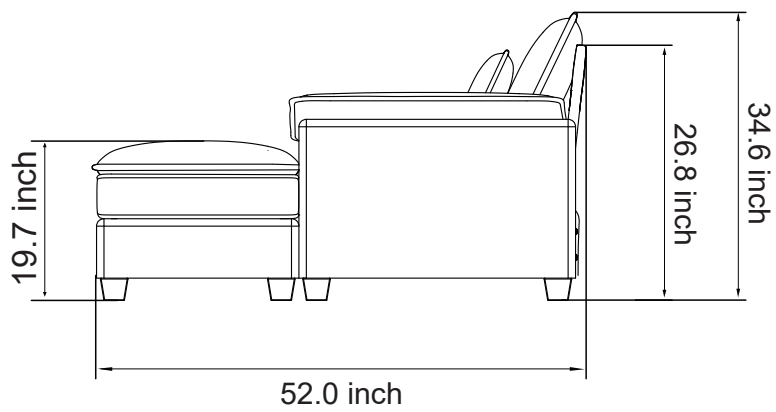
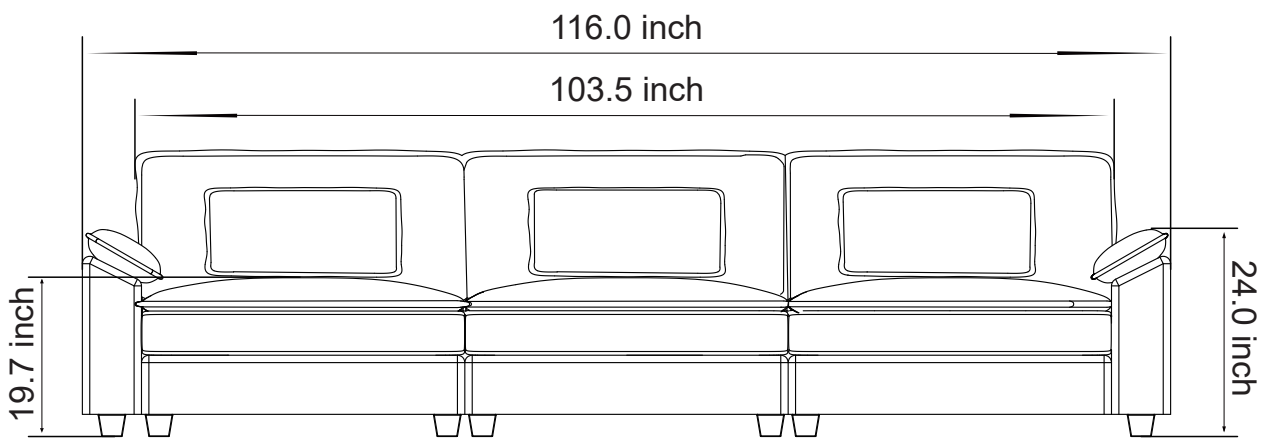
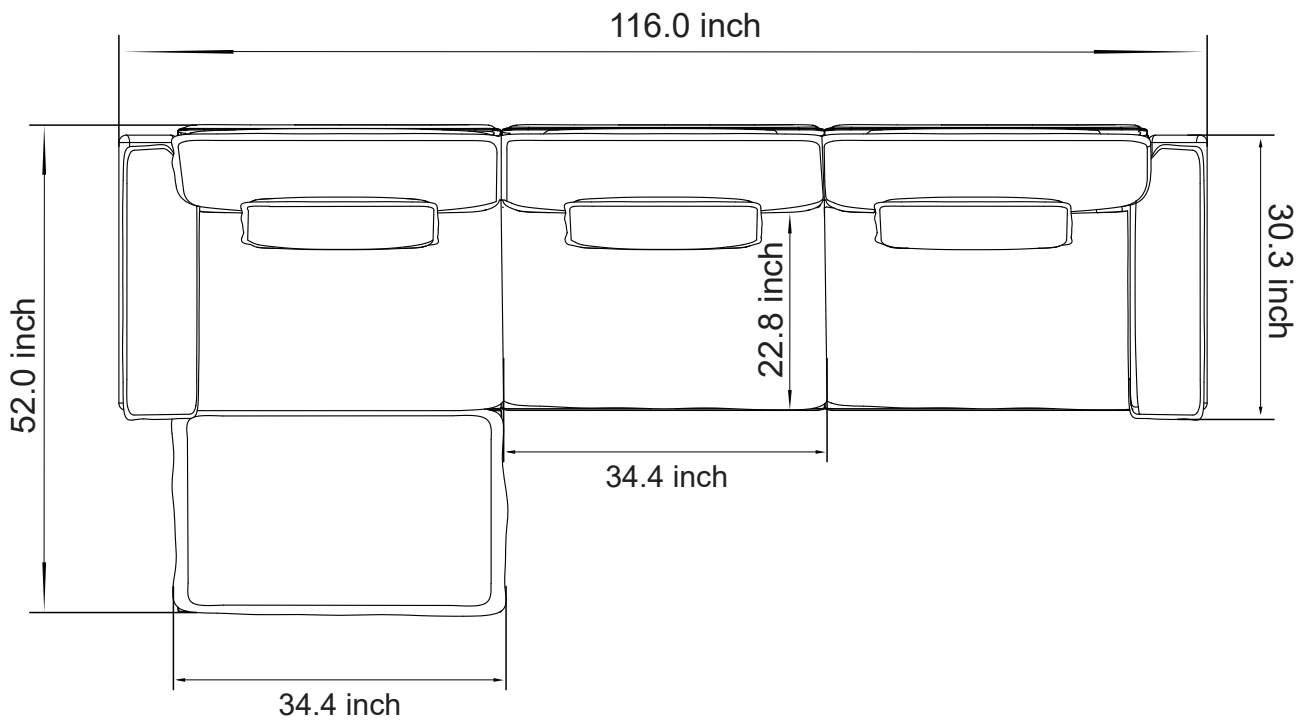
I-4SF001Y25

IMPORTANT

PLEASE READ BEFORE YOU COMMENCE ASSEMBLY

Follow the guidelines in this user guide to ensure correct assembly and care for this product.

SPECIFICATIONS



Catalog

| | |
|--------------------------------|----|
| Specifications..... | 01 |
| Catalog..... | 02 |
| Important Caution | 03 |
| Important Note | 03 |
| Warning | 04 |
| Part List | 05 |
| Screw Set List And Extra | 06 |
| How To Assemble The Sofa | 07 |



IMPORTANT CAUTION

Please verify all parts and components present and check for any damaged pieces before assembly. If you have any damaged or missing parts, please contact customer service at Service@alaulm.com



TWO PERSON ASSEMBLY



UP TO 45 MINUTES FOR ASSEMBLY



WEIGHT LIMITATION: 380LBS/PER SEAT

Extremely Important Notice Before Assembly

1. Vacuum-sealed Cushions once opened will lead to ineligible return condition as return shall be processed in original boxes;
2. Pls have the frame not involving compressed parts set up first to see if it is stable/color/size meets your demand;
3. For any damages or structure issues, you're highly recommended to reach out us with pictures offered;
4. For reporting missed parts, please clarify us the part number complies with the manual to speed-up the communication phrase;
5. Don't secure the screws to a 100% degree until you have aligned up all the holes successfully. Misalignment will lead to failure on the sofa's stability.



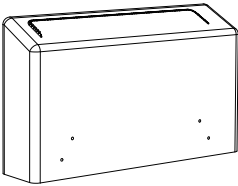
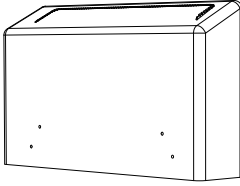
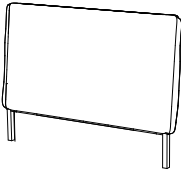
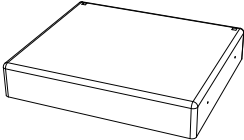
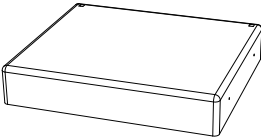

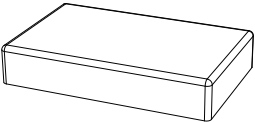
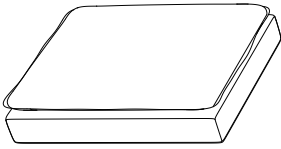
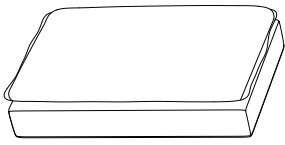
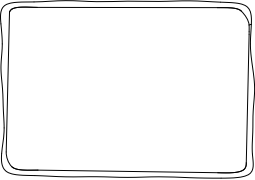


WARNING

- Please keep this manual and hand it over when you transfer the product.
- Please read the following instructions carefully and use the product accordingly.
- This summary may not include every detail of all variations and considered steps. Please contact us when further information and help are needed.
- Please do not exceed the weight limitations of this item.
- Do not stand on or use any part of this item as a step ladder.
- Please check the completeness and eligible condition of all the numbered parts before your assembly.
- Please assemble the item in a spacious room and do not place the unwrapped product directly on the ground to avoid damage .
- Do not use this item in a way inconsistent with the manufacturer' s instructions as this could void the product warranty.
- Periodically inspect screw tightness while the product is in use. If necessary, retighten to ensure structural integrity.
- To avoid the potential dangers of suffocation, please keep all parts and packaging (films, plastic bags and foam,etc.) away from children and pets.
- Do not use or store this item in the proximity of open flame or flammable/ combustible chemicals
- Do not expose product to direct sunlight exposure or rain,and do not put it in a humid place. Failure to do so may accelerate the distortion or discoloration.


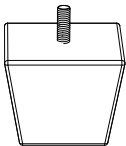
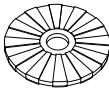




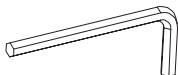




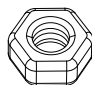
IMPORTANT

- 1.Do not tighten bolts / screws completely until all bolts / screws are lined up and inserted into holes.
- 2.Do not over tighten screws and bolts to avoid stripping.
- 3.Please use hand tools to assemble this product. If you're using power tools, remember to set the tool to low torque to avoid damage.

PART LIST

| Parts List | | |
|---|---|--|
| <p>(A)</p>  <p>Left Armrest</p> | <p>(B)</p>  <p>Right Armrest</p> | <p>(C)</p>  <p>Backrests</p> |
| <p>1 PC</p> | <p>1 PC</p> | <p>3 PCS</p> |
| <p>(D)</p>  <p>Left Seat Plate</p> | <p>(E)</p>  <p>Intermediate Seat Plate</p> | <p>(F)</p>  <p>Right Seat Plate</p> |
| <p>1 PC</p> | <p>1 PC</p> | <p>1 PC</p> |
| <p>(G)</p>  <p>Foot Rest Plate</p> | <p>(H)</p>  <p>Seat Cushions</p> | <p>(J)</p>  <p>Footrest Cushion</p> |
| <p>1 PC</p> | <p>3 PCS</p> | <p>1 PC</p> |
| <p>(K)</p>  <p>Back Cushions</p> | <p>(L)</p>  <p>Left Armrest Pillow</p> | <p>(M)</p>  <p>Right Armrest Pillow</p> |
| <p>3 PCS</p> | <p>1 PC</p> | <p>1 PC</p> |

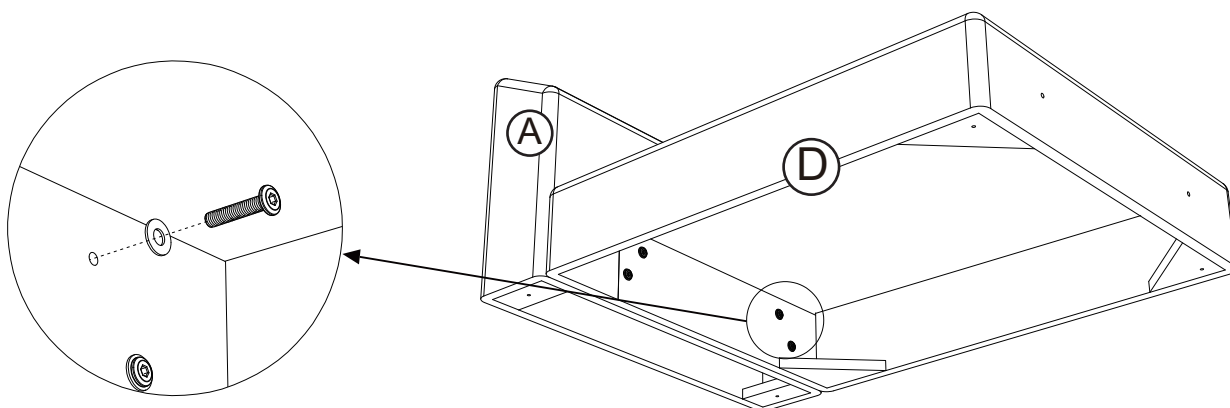
PART LIST

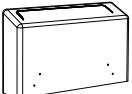
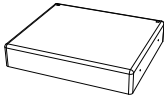


| Parts List | | |
|--|--|---|
| <p>(N)</p>  <p>Bolster</p> <p>3 PCS</p> | <p>(O)</p>  <p>Footstool</p> <p>16 PCS</p> | <p>(P)</p>  <p>Plastic Gasket</p> <p>16 PCS</p> |
| Screw Set List | | |
| <p>(Q1)</p>  <p>M8x40</p> <p>20 PCS</p> | <p>(Q2)</p>  <p>M8x60</p> <p>4 PCS</p> | <p>(R1)</p>  <p>M8 Gaskets</p> <p>28 PCS</p> |
| <p>(R2)</p>  <p>M8 Nuts</p> <p>4 PCS</p> | <p>(S1)</p>  <p>M8 Allen Key</p> <p>1 PC</p> | <p>(S2)</p>  <p>M8 Wrench</p> <p>1 PC</p> |
| Extra (Screw Set) | | |
| <p>(Q1)</p>  <p>M8x40</p> <p>2 PCS</p> | <p>(Q2)</p>  <p>M8x60</p> <p>1 PC</p> | <p>(R1)</p>  <p>M8 Gaskets</p> <p>4 PCS</p> |
| <p>(R2)</p>  <p>M8 Nuts</p> <p>1 PC</p> | | |

How To Assemble The Sofa

Step 1: Attach the left armrest(A) to the left seat plate(D) with screws (Q1 and R1).

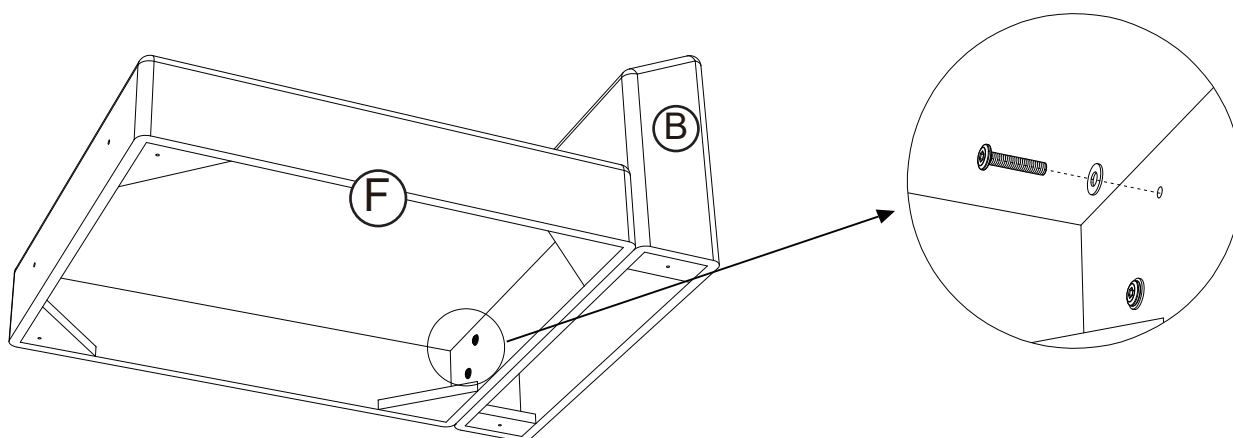
NOTE:When assembling, please assemble in a clean area to avoid dirtying the surface of the sofa.

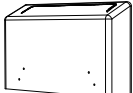
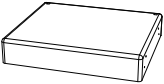




| | | | | | | | | | | | | | |
|---|---|----|---|---|----|----|--|-------|----|----|---|------------|----|
| A |  | x1 | D |  | x1 | Q1 |  | M8x40 | x4 | R1 |  | M8 Gaskets | x4 |
|---|---|----|---|---|----|----|--|-------|----|----|---|------------|----|

Step 2: Attach the right armrest(A) to the right seat plate(D) with screws (Q1 and R1).

NOTE:When assembling, please assemble in a clean area to avoid dirtying the surface of the sofa.

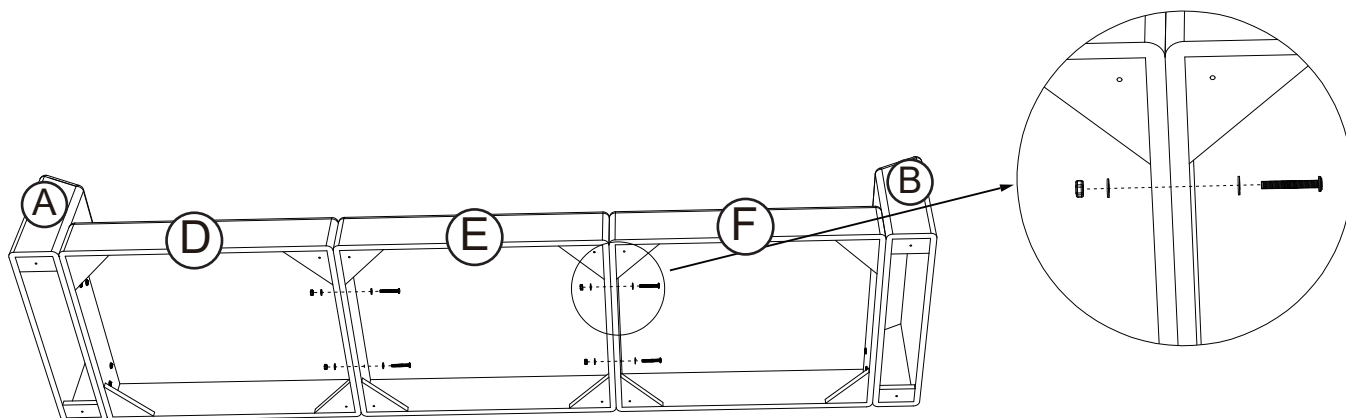


| | | | | | | | | | | | | | |
|---|---|----|---|---|----|----|--|-------|----|----|---|------------|----|
| B |  | x1 | F |  | x1 | Q1 |  | M8x40 | x4 | R1 |  | M8 Gaskets | x4 |
|---|---|----|---|---|----|----|--|-------|----|----|---|------------|----|

Installation steps

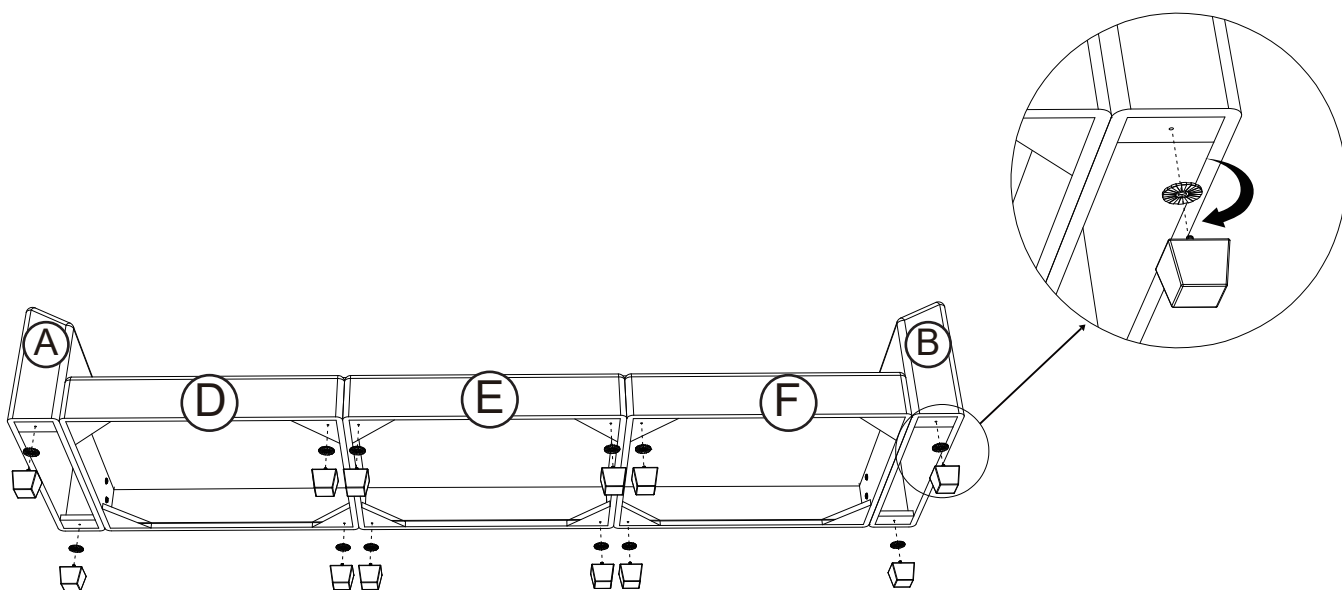
Step 3: Attach the center sofa seat plate (E) and the left and right sofa seat plates (D and F) together with screws (Q2 and R1) and nuts (R2 and R1).

NOTE: When assembling, please assemble in a clean area to avoid dirtying the surface of the sofa.



| | | | | | | | | | | | |
|---|---|----|----|---|----|----|---|----|----|---|----|
| E |  | x1 | Q2 |  | x4 | R1 |  | x8 | R2 |  | x4 |
| | | | | M8x60 | | | M8 Gaskets | | | M8 Nuts | |

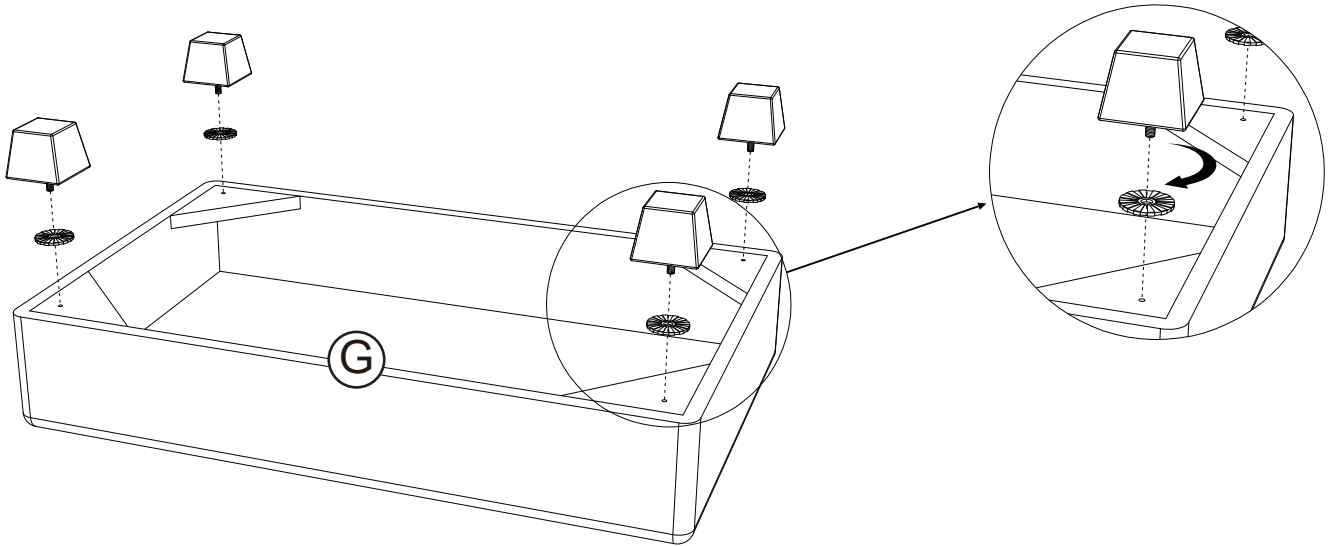
Step 4: Install the feet (O) and the plastic washers (P) underneath the sofa to secure it.

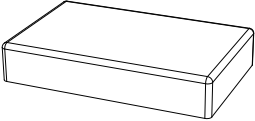




| | | | | | |
|---|---|-----|---|---|-----|
| O |  | x12 | P |  | x12 |
|---|---|-----|---|---|-----|

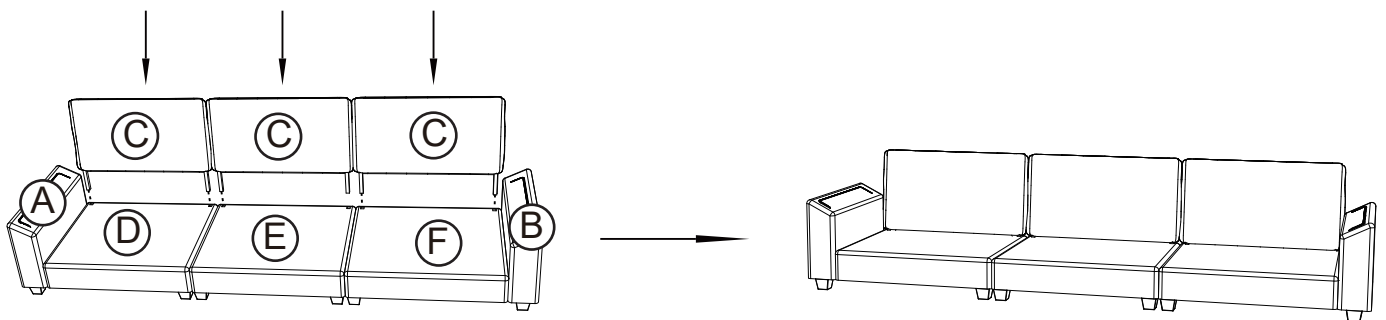
Installation steps

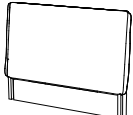
Step 5: Install the sofa foot post (O) and plastic washer (P) under the footrest (G) to secure it.



| | | | | | | | | |
|---|---|----|---|---|----|---|---|----|
| G |  | x1 | O |  | x4 | P |  | x4 |
|---|---|----|---|---|----|---|---|----|

Step 6: Insert the sofa backrest (C) into the hole on top of the sofa seat plate.

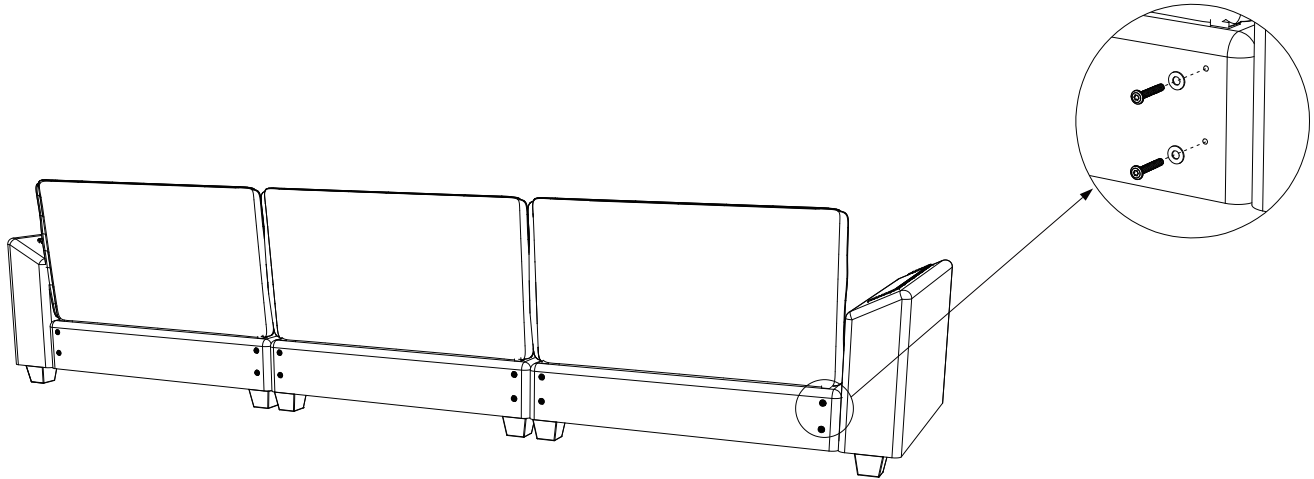


| | | |
|---|---|----|
| C |  | x3 |
|---|---|----|

Installation steps

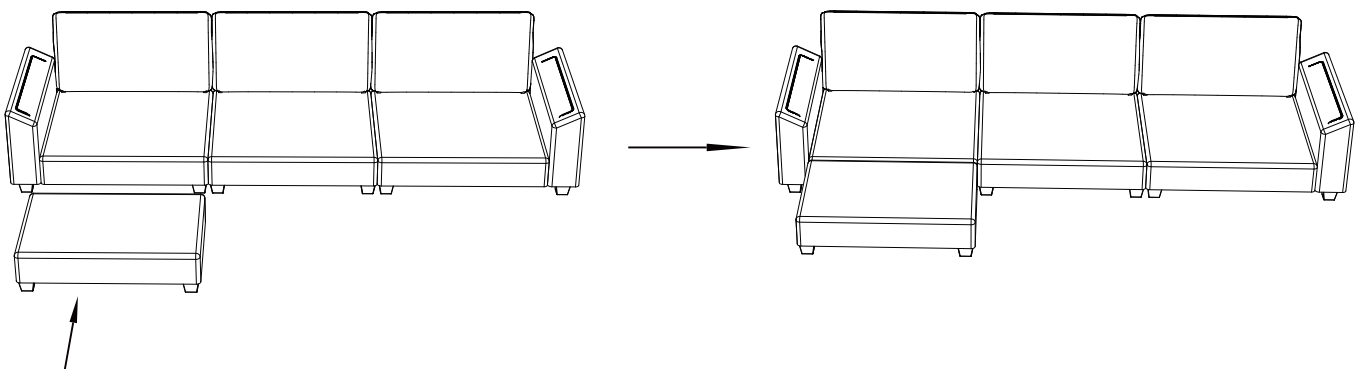
Step 7: Fasten the backrest (C) to the sofa seat plate with screws (Q1 and R1) on the back of the sofa.

NOTE: The fabric curtain behind the backrest and the sofa base can be glued together after installation.



| | | | | | |
|----|--|-----|----|---|-----|
| Q1 |  M8x40 | x12 | R1 |  M8 Gaskets | x12 |
|----|--|-----|----|---|-----|

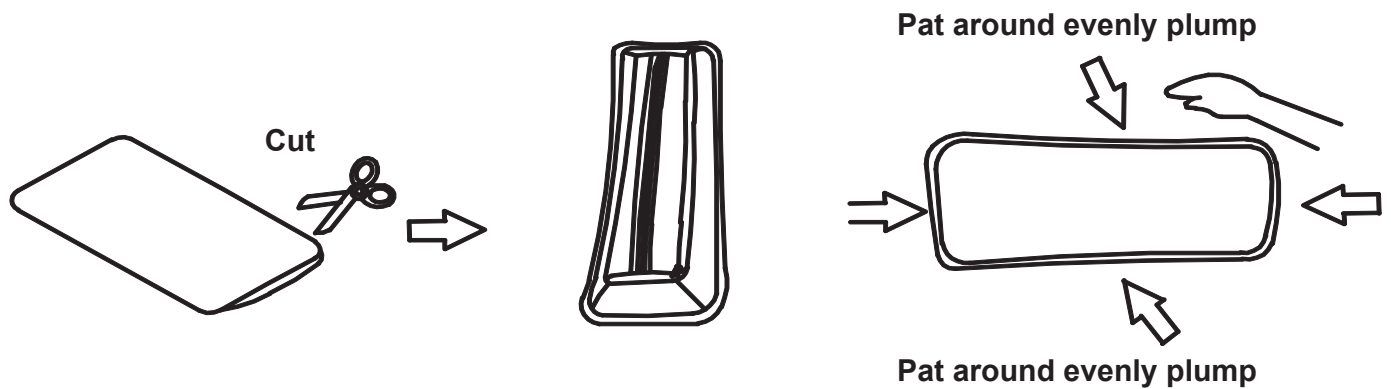
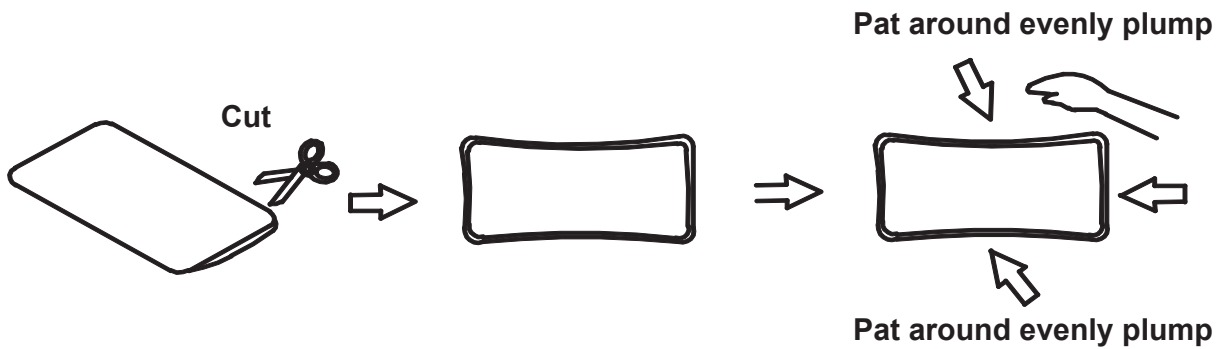
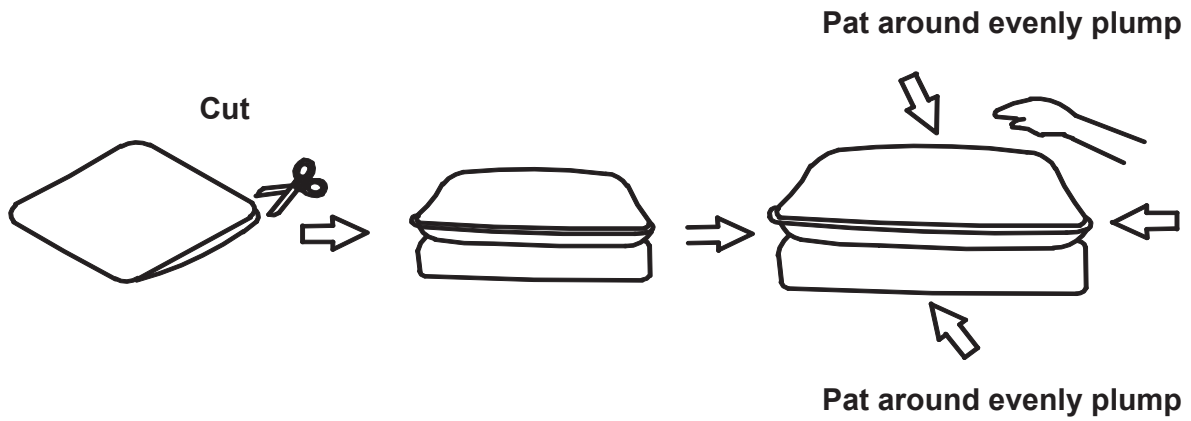
Step 8: Place the foot rest with the sofa combination together.



Installation steps

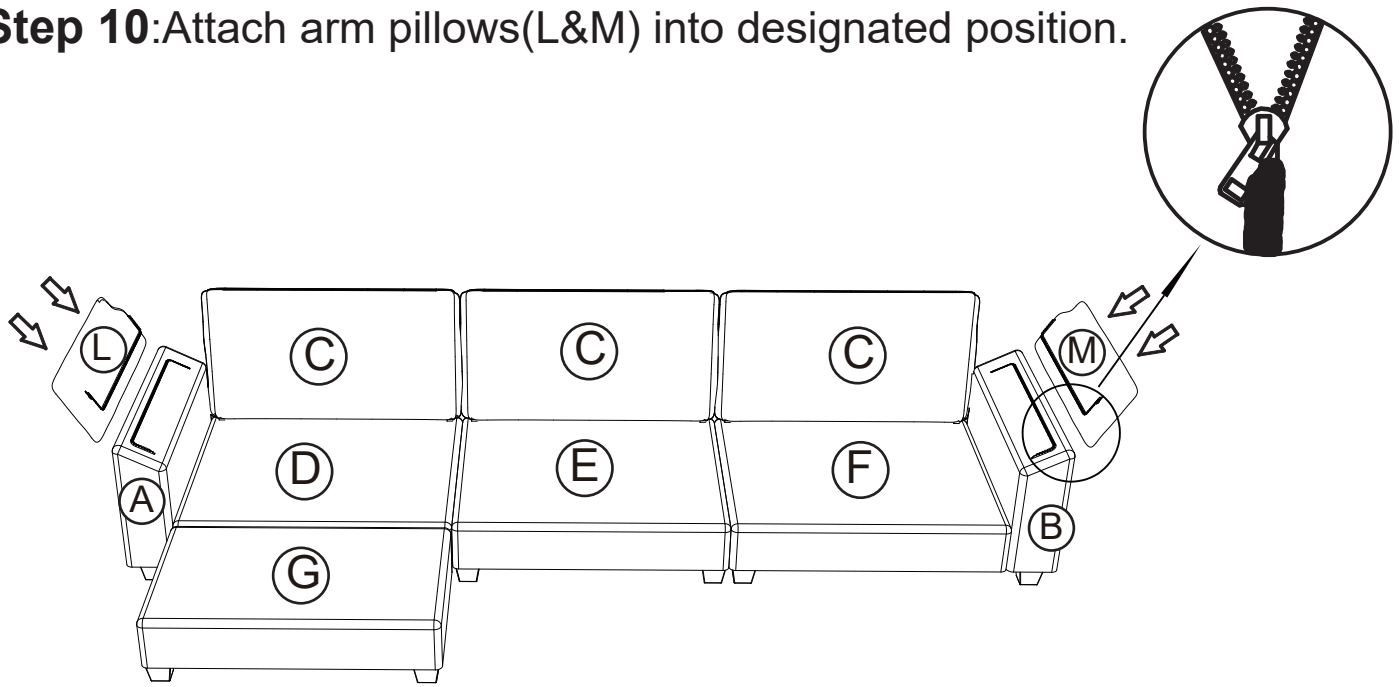
Step 9: Use scissors to open all the vacuum sealed cushions and arm pillows. It may take 48-72hrs to fully expand back to its original shape.


NOTE: Please cut up these seat cushions and put them in a clean place.



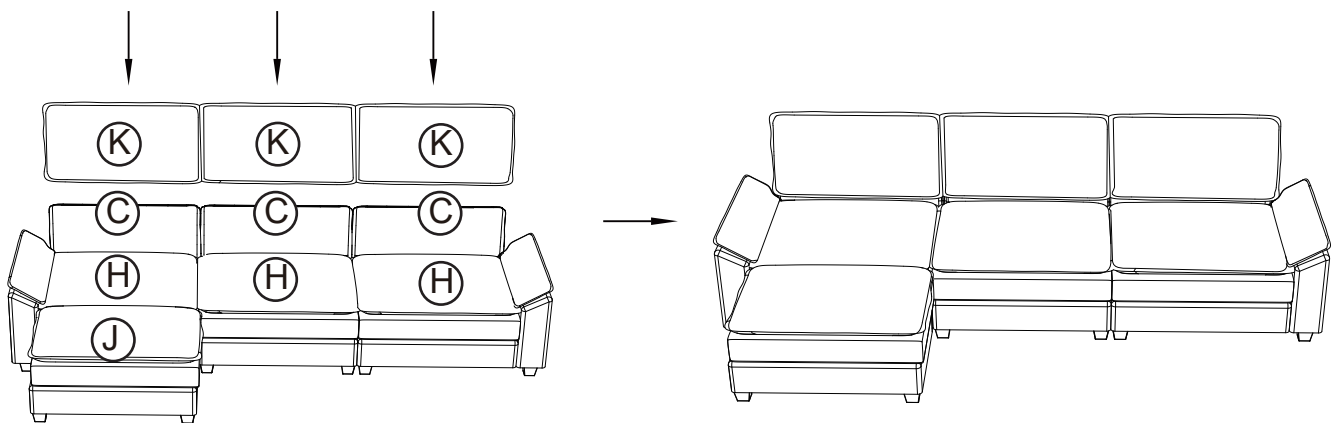
Installation steps

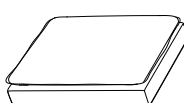
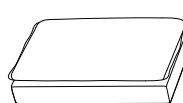

Step 10: Attach arm pillows(L&M) into designated position.



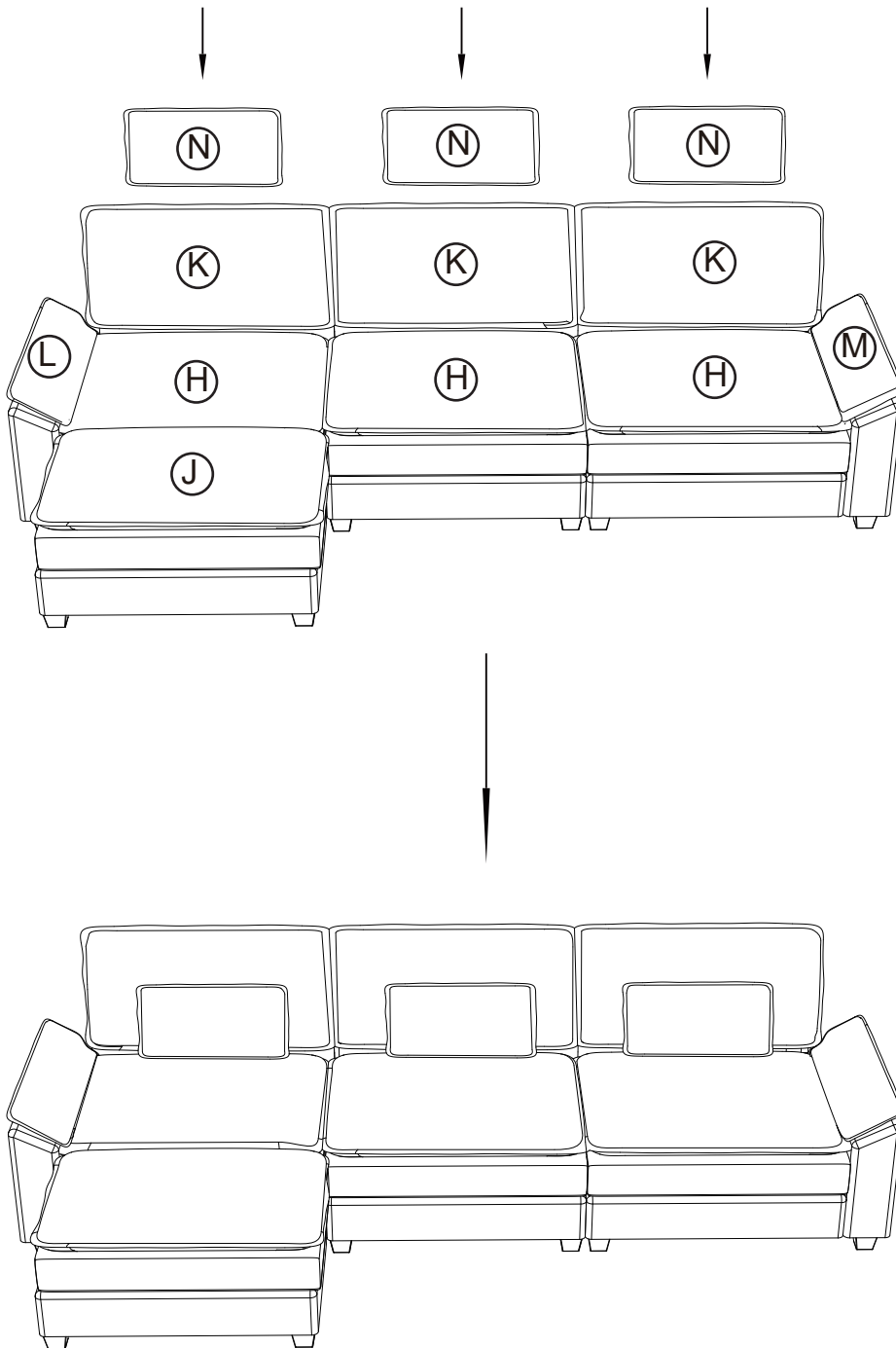
- | | | | | | |
|---|---|----|---|--|----|
| L |  | x1 | M |  | x1 |
|---|---|----|---|--|----|

Step 11: Place seat cushions(H and J) and back cushions(K) on the sofa.



- | | | | | | | | | |
|---|---|----|---|---|----|---|---|----|
| H |  | x3 | J |  | x1 | K |  | x3 |
|---|---|----|---|---|----|---|---|----|

Step 12: Place the bolster(N) on the sofa and enjoy it!



N



x3